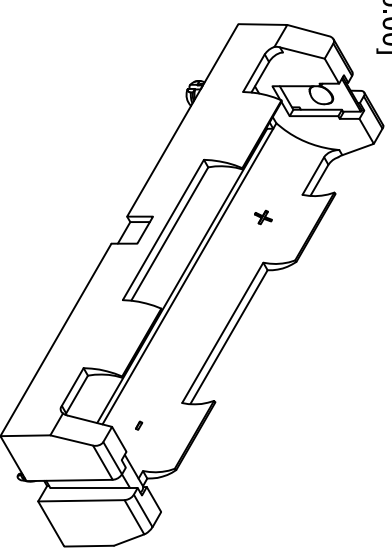
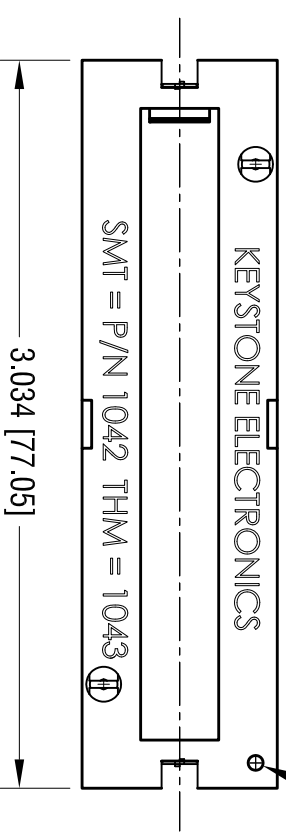
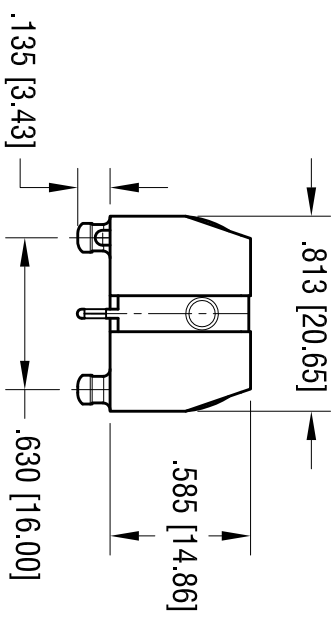
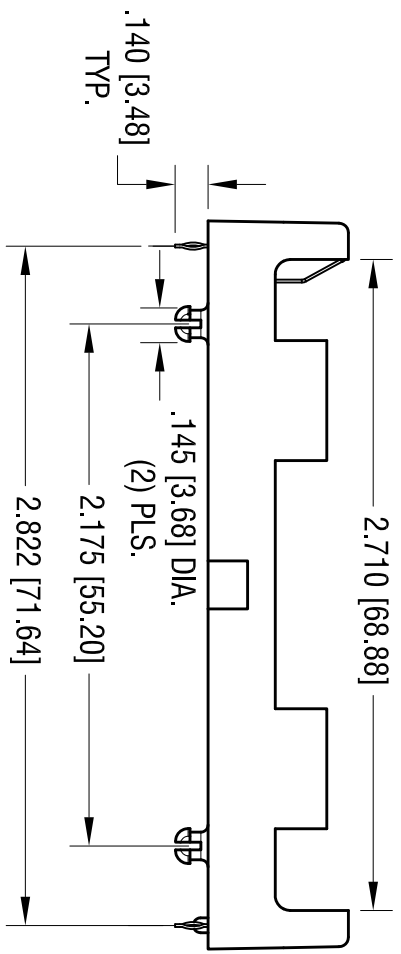
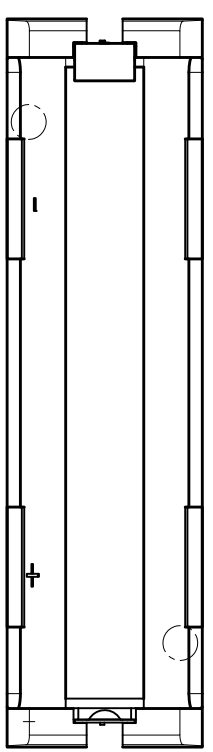
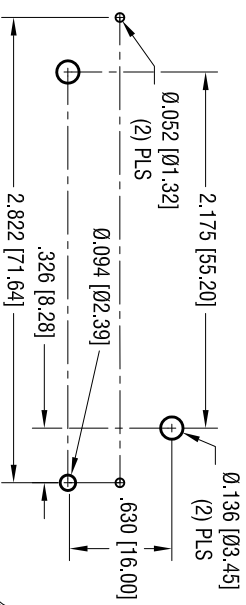


MOUNTING PAD LAYOUT



0.062 [Ø1.57]
x .062 [1.57] L.

| DATE | DESCRIPTION | REV. |
|----------|--------------------------|------|
| 10.08.13 | CHANGE AS PER ECN 13-091 | A |

KEYSTONE ELECTRONICS CORP.
www.keystec.com • ASTORIA, N.Y. 11105-2017 • Tel (718) 956-8900

PART NAME: THM POLARIZED HOLDER

MATERIAL: AS NOTED

FINISH: AS NOTED

| TOLERANCES | INCH | [MM] | CODE | DWG NO. |
|------------|--------|----------|------|---------|
| DECIMAL | ± .010 | [± 0.25] | C | 1043P |
| ANGULAR | ± 1° | | | |

DRN BY: NT

APP'D: LN

DATE: 7.12.13

SCALE: 1.25X

NOTE:

1. BASE:

MAT'L: HEAT RESISTANCE NYLON
STANYL 46 OR EQUIVALENT

2. CONTACT:

MAT'L: .012 [0.30] THK STAINLESS STEEL
FINISH: TIN NICKEL PLATE

THIS DOCUMENT IS THE PROPERTY OF
KEYSTONE ELECTRONICS CORP. AND
SHALL NOT BE REPRODUCED, DISTRIBUTED
OR USED AS A BASIS FOR MANUFACTURE
WITHOUT PRIOR WRITTEN PERMISSION
FROM KEYSTONE ELECTRONICS CORP.