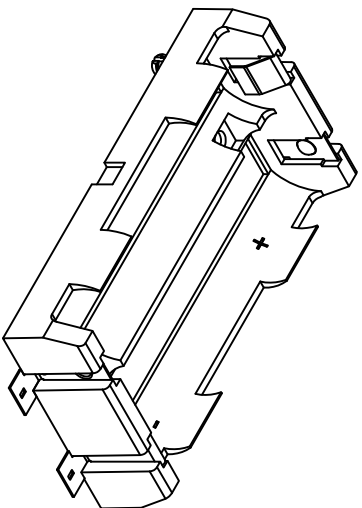
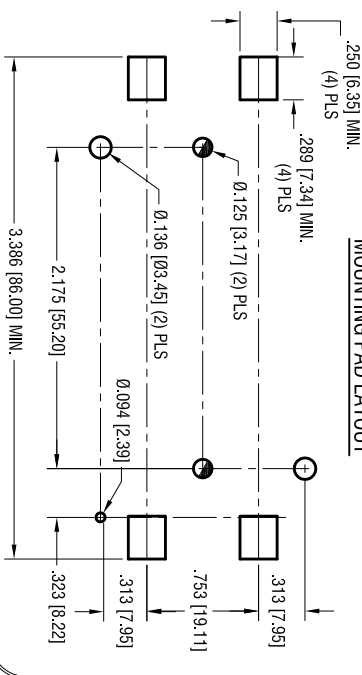
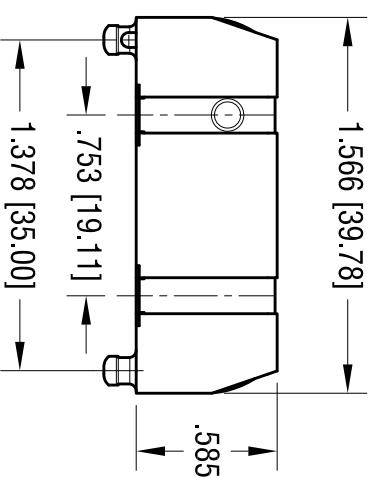
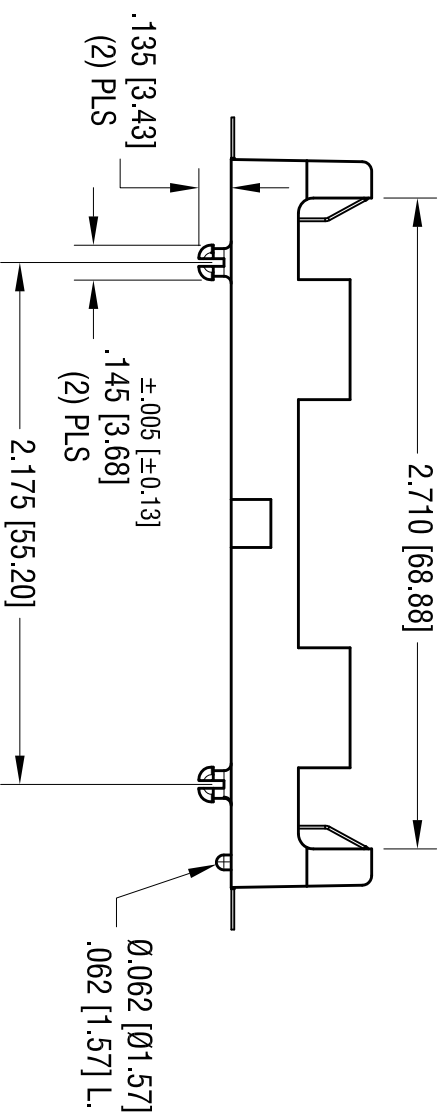
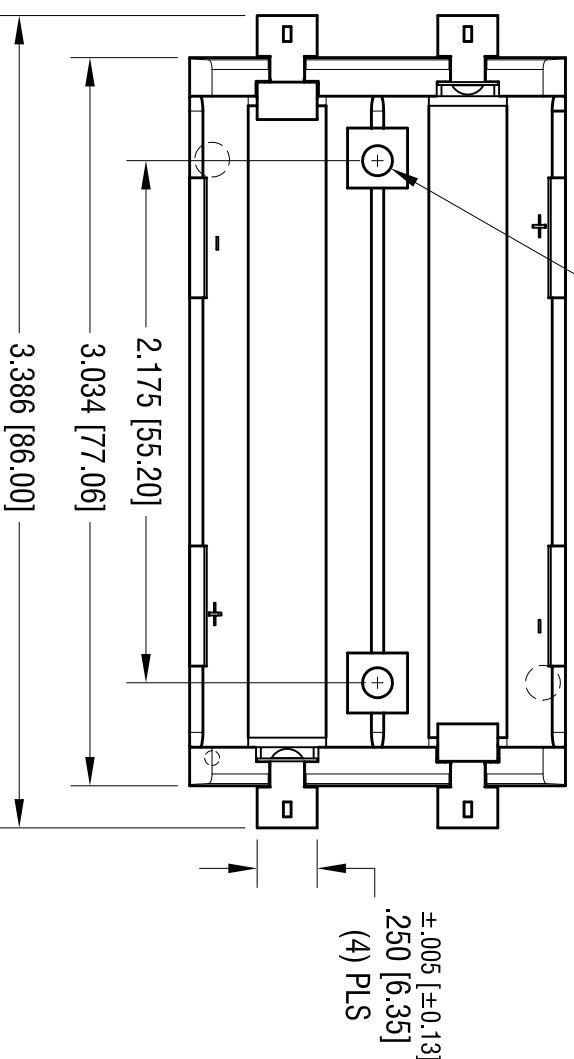


MOUNTING PAD LAYOUT



\varnothing .125 [Ø3.18] (2) PLS
DIA. MTG HOLE



KEYSTONE ELECTRONICS CORP.

www.keystone.com • ASTORIA, N.Y. 11105-2017 • Tel (718) 956-8900

PART NAME

DUAL SM POLARIZED HOLDER

MATERIAL

AS NOTED

FINISH

AS NOTED

DRN BY NT DATE 7.12.13

App'D LN SCALE 1.25X

TOLERANCES INCH [MM]

DECIMAL ± .010 [± 0.25]

ANGULAR ± 1°

CODE DWG NO.

C

1048P

DATE

10.08.13

DESCRIPTION

CHANGE AS PER ECN 13-091

REV.

A

NOTE:

1. BASE:

MAT'L: HEAT RESISTANCE NYLON
STANLYL 46 OR EQUIVALENT

2. CONTACT:

MAT'L: .012 [0.30] THK STAINLESS STEEL
FINISH: GOLD FLASH, OVER NICKEL PLATE

THIS DOCUMENT IS THE PROPERTY OF
KEYSTONE ELECTRONICS CORP. AND
SHALL NOT BE REPRODUCED, DISTRIBUTED
OR USED AS A BASIS FOR MANUFACTURE
WITHOUT PRIOR WRITTEN PERMISSION
FROM KEYSTONE ELECTRONICS CORP.