

## Specifications

Electrical Ratings	16A @ 125VAC / 250VAC / T120
	6A @ 125VAC / 250VAC / T120
	5A @ 125VAC / T120
Electrical Life	100,000 cycles, typical
Mechanical Life	10,000,000 cycles, typical

Contact Resistance	< 20m Ω initial
Actuation Forces	80gF, 110gF or 180gF
Dielectric Strength	1000Vrms min. @ sea level
Insulation Resistance	≥ 100MΩ min
Operating Temperature	-40°C to +120°C
Storage Temperature	-40°C to +120°C

## Materials

Base / Cover	Polybutylene Terephthalate (PBT), UL94-V0
Pin Plunger	Polybutylene Terephthalate (PBT), UL94-V0
Contacts	Silver Alloy
Terminals	Copper Alloy, Silver Plated

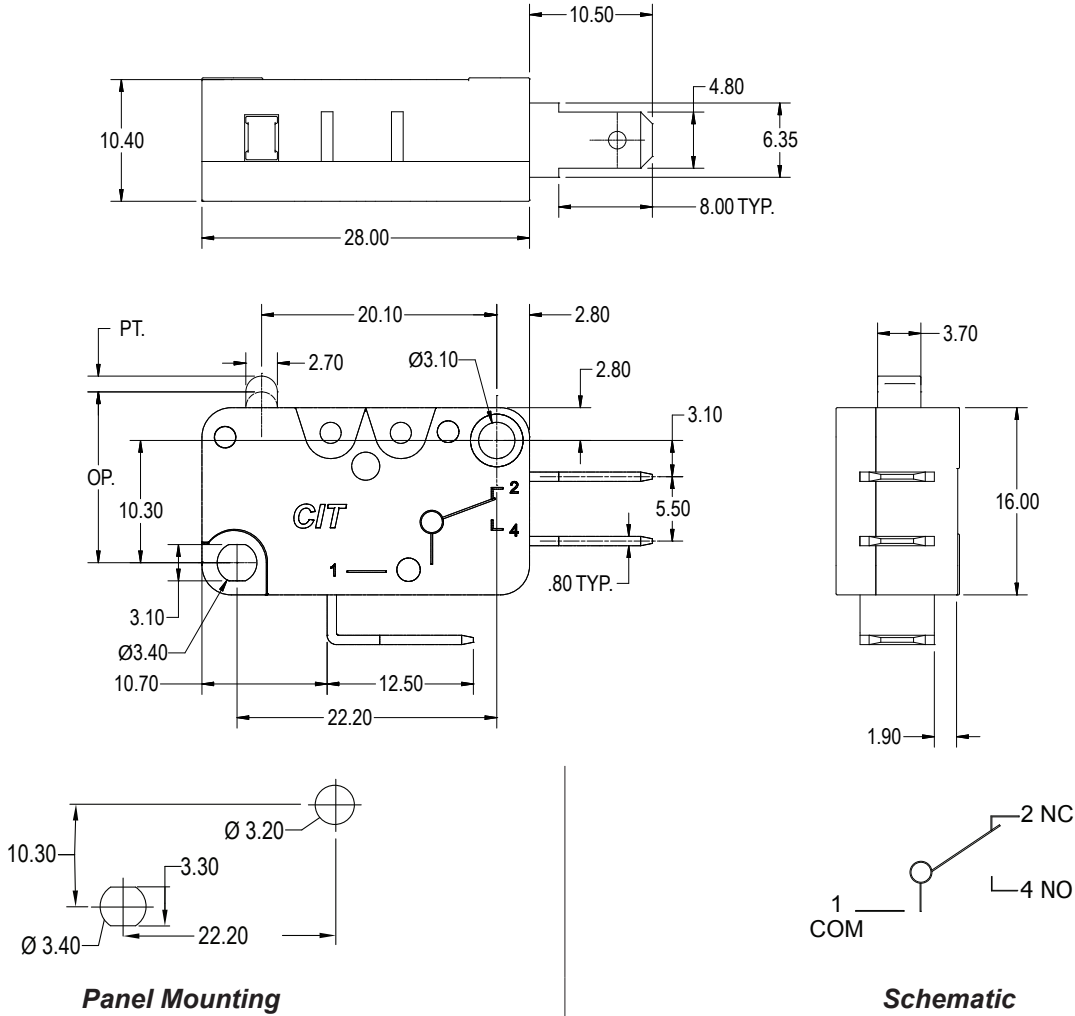
## Ordering Information

1. Series	VM3	C	Q	F080	1	L00
VM3						
2. Circuit						
A = SPST NO						
B = SPST NC						
C = SPDT						
3. Electrical Rating						
Q = Silver						
4. Operating Force without lever **Contact factory for other force options						
F080 = 80gF						
F110 = 110gF						
F180 = 180gF						
5. Termination						
1 = 0.250" Quick Connect						
2 = 0.187" Quick Connect						
6. Actuator (Lever)						
L00 = Pin plunger						
L01 = Roller lever, standard						
L02 = Simulated roller						
L03 = Hinge lever, standard						
L04 = Hinge lever, short						
L06 = Roller lever, short						
L07 = Hinge lever, long						

# VM3

Snap Action

## Dimensions

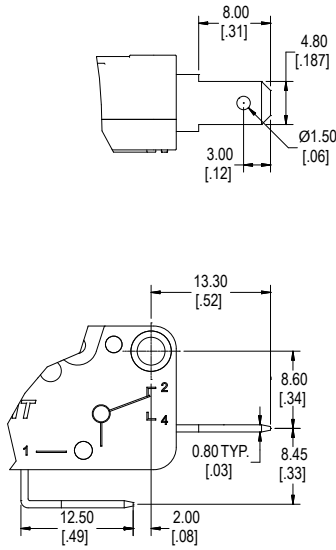


## Switch Characteristics

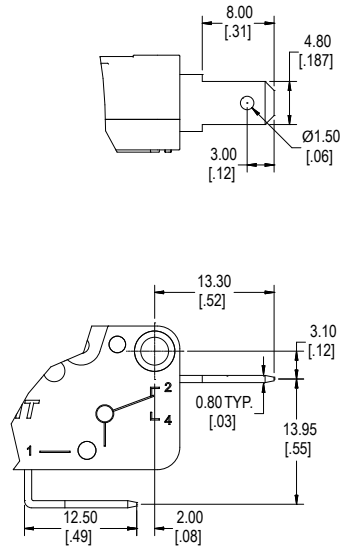
Actuators (Levers)	Operating Force - OF (grams)			Release Force - RF (grams)			Free Position (FP) all forces (mm)	Pre-Travel (PT) all forces max (mm)	Operating Position (OP) all forces (mm)	Over Travel (OT)	Movement Differential (MD) all forces max (mm)
	80gF	110gF	180gF	80gF	110gF	180gF					
L00	80±20	110±30	180±30	40±15	90±20	90±20	15.7	1.4	14.3	1.1	0.4
L01	40±15	55±20	80±20	20±10	60±20	60±20	22.3	3.7	18.6	2.5	0.7
L02	40±15	60±20	80±20	20±10	60±20	40±20	20.8	3.1	17.7	2.3	0.7
L03	35±10	50±20	70±20	18±8	50±20	50±20	17.3	3.3	14.0	2.3	0.6
L04	65±15	95±20	145±30	35±15	45±20	60±20	16.4	2.2	14.2	1.2	0.5
L06	80±20	100±20	180±30	40±15	70±20	80±20	21.8	1.9	19.9	1.2	0.4
L07	18±10	25±10	40±15	10±5	20±10	20±10	19.0	7.7	11.3	7.1	1.9

**Terminal Options**

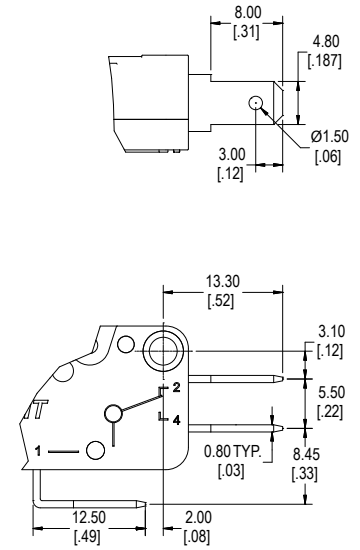
**.187" Quick Connect Terminals**



**SPST N.O.**

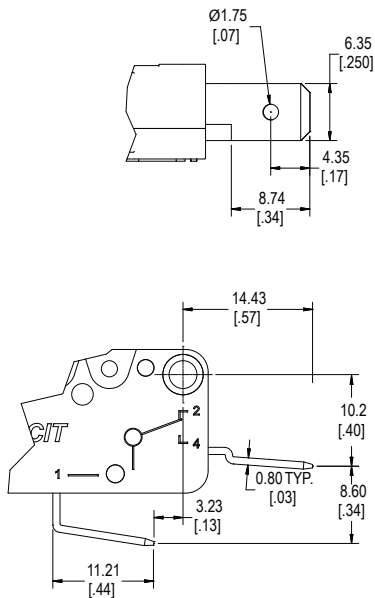


**SPST N.C.**

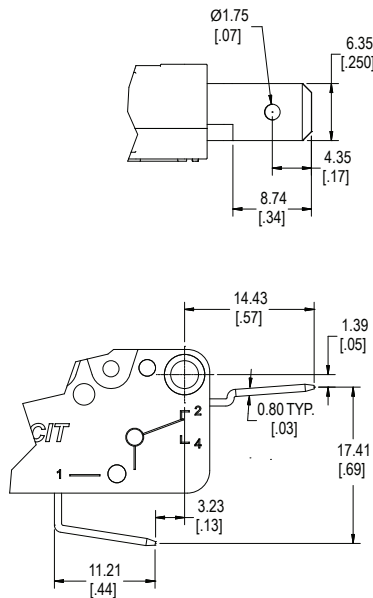


**SPDT**

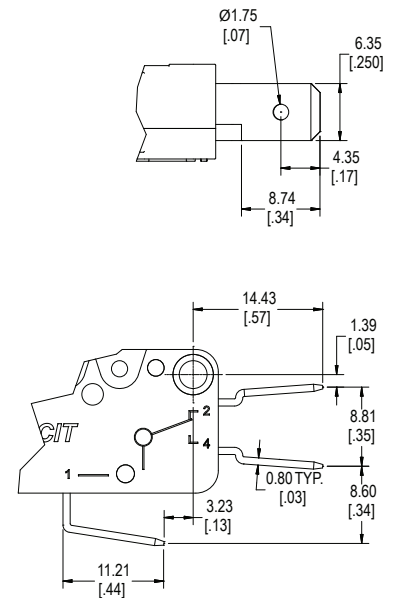
**.250" Quick Connect Terminals**



**SPST N.O.**



**SPST N.C.**

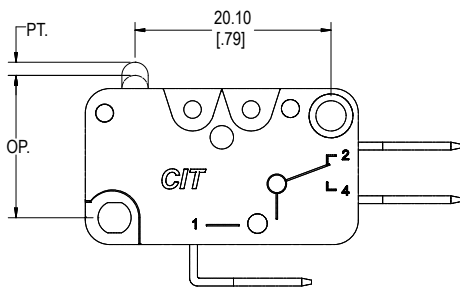
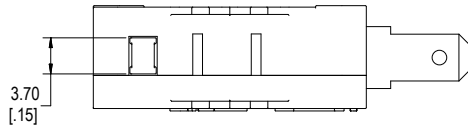


**SPDT**

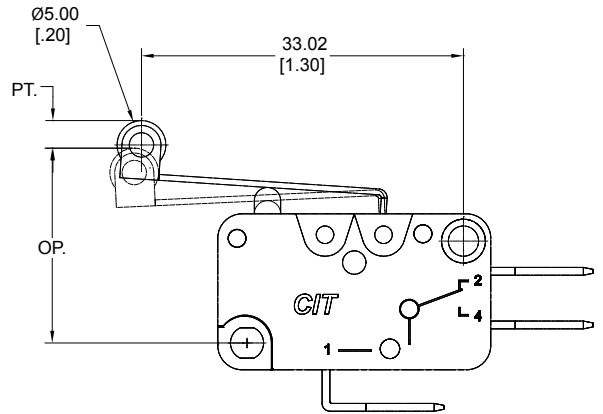
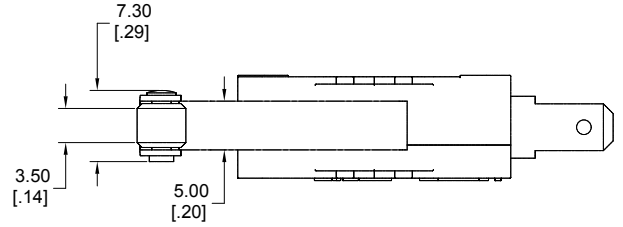
# VM3

## Snap Action

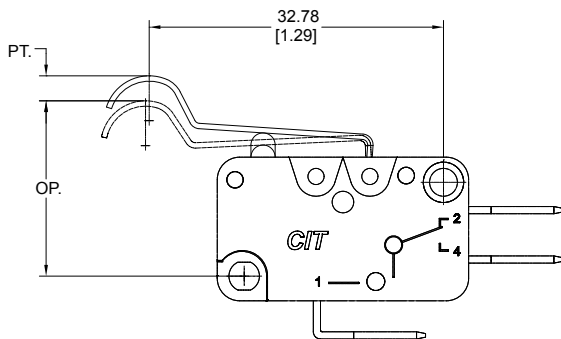
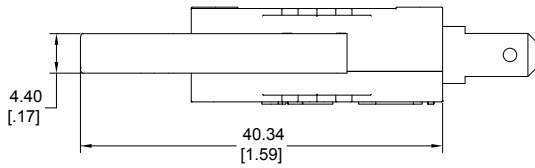
### Levers



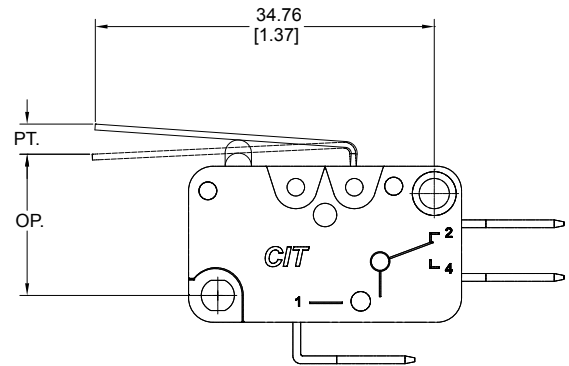
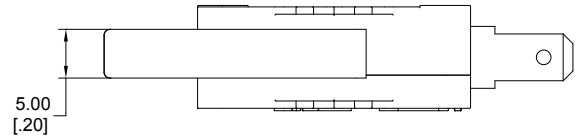
**L00**



**L01**

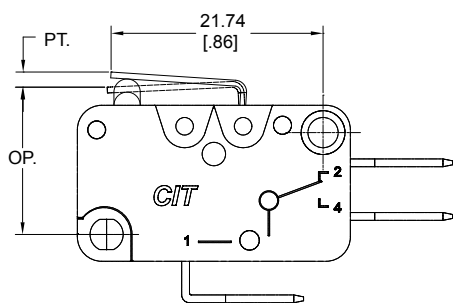
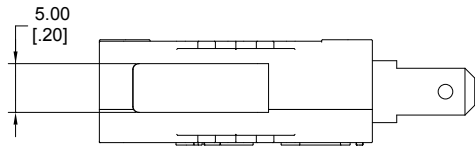


**L02**

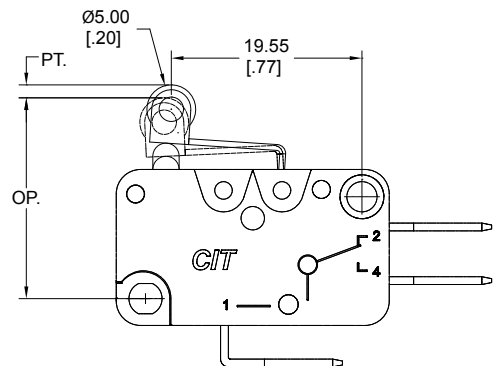
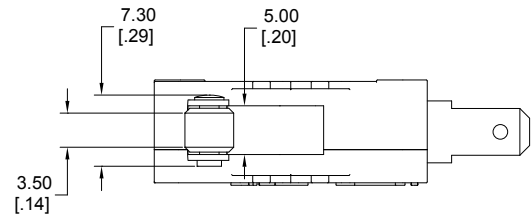


**L03**

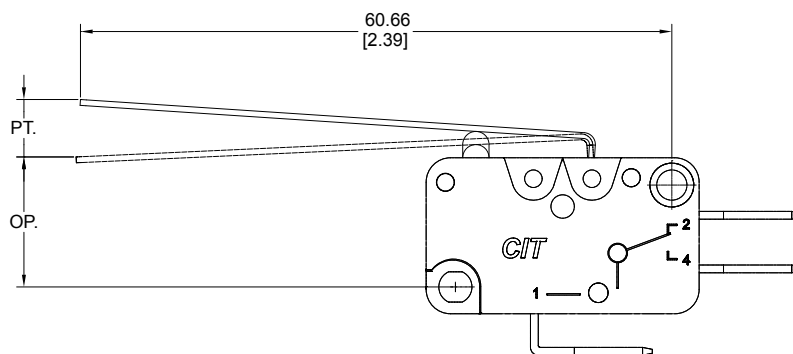
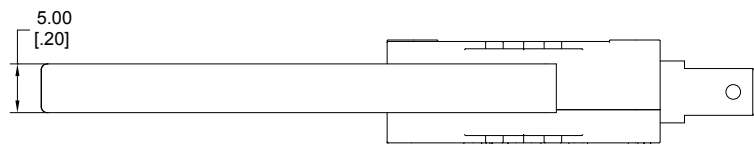
**Levers**



**L04**



**L06**



**L07**