



# AC/DC LED Light Bulb for utilities and power plants

9watt LED A21 style enclosed fixture lamps

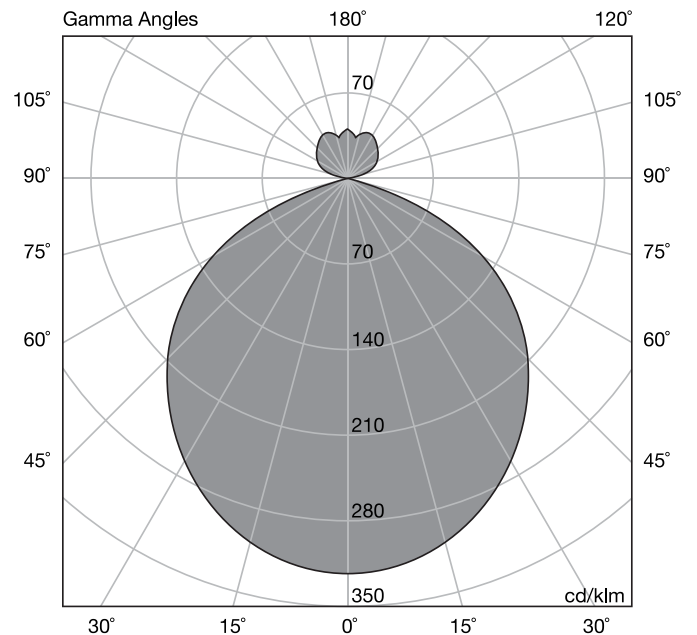


## KEY FEATURES

- Replaces a 100W incandescent bulb with a 9W LED with comparable light.
- AC/DC operation for seamless backup systems - no UPS required
- Developed for demanding power-plant applications
- UL/CSA 1993 compliant for fully-enclosed fixtures
- 109 lumens per watt
- Standard E26 base and A21 shape fits all applications
- Operates safely in enclosed fixtures
- Available in other color temperatures: 2700K, 3000K, 3500K, 4000K, 5700K and 6500K
- 5-year limited warranty

| Product Model              | SP160604-50K<br>LED AC/DC A21 Lamp 5000K |
|----------------------------|--|
| Type                       | LED                                      |
| Base                       | E26 Medium base                          |
| Power (W)                  | 9  |
| Voltage                    | 110-130VAC , 105-280VDC                  |
| Color Temp. (ANSI)         | Daylight 5000K                           |
| CRI (Ra) (typ.)            | 84                                       |
| Typical lumens (lm)        | 980                                      |
| Efficacy (LPW)             | 109                                      |
| Dimmable                   | No                                       |
| Power Factor               | 0.9                                      |
| Rated Lifetime - L80 (hrs) | 50,000                                   |
| Dia. x MOL                 | 2.57"x5.12" (65.20x130mm)                |
| Operating Temp             | -25°C - 50°C                             |

## LIGHT MEASUREMENTS

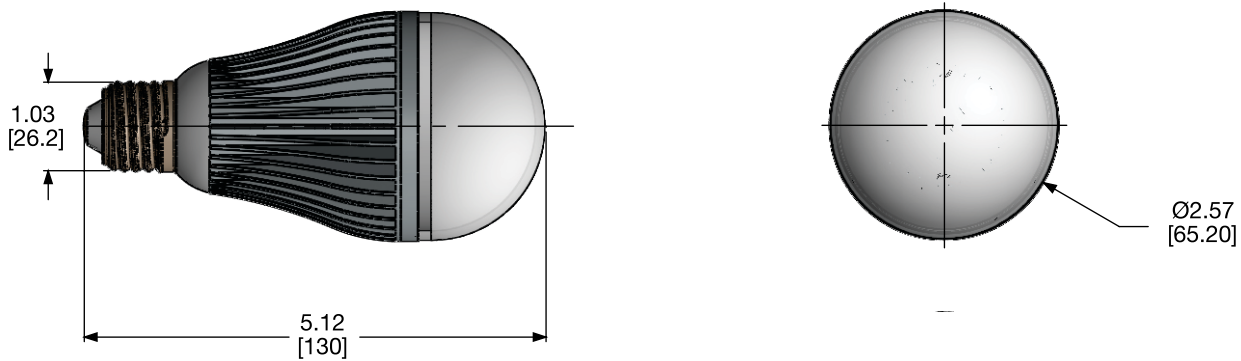


## DESCRIPTION OF APPLICATION

A versatile lamp for 125 VDC or 250 VDC battery-powered emergency lighting or, dual AC-DC operation for general lighting with the ability to operate from batteries.

## DIMENSIONS

All dimensions are in inches [mm]



## COMPLIANCES



## EXCLUSIVE DISTRIBUTION

**IRWIN**  
Industrial

**WESTsales@**  
Alberta

**CENTRALsales@**  
Ontario

**EASTsales@**  
Quebec

**irwin-ind.com**  
800-263-3562

Information provided is subject to change without notice. Please verify all details with VCC. All values are design or typical values when measured under laboratory conditions, and VCC makes no warranty or guarantee, expressed or implied, that such performance will be obtained under end-use conditions.