

STAINLESS STEEL PRODUCTS



GROUP CODE	PRODUCT NAME
401	SWINGHANDLE
501	SWINGHANDLE
502	SWING HANDLE – GEAR BOX
402	SWING HANDLE – GEAR BOX
103	THREE-POINT LOCK – T HANDLE
103	THREE-POINT LOCK – L HANDLE
	ROUND - FLAT RODS AND ACCESSORIES
016	PUSH-TO-CLOSE LATCH
416	PUSH-TO-CLOSE LATCH
315	T HANDLE HEAVY-DUTY LATCH
115	T HANDLE HEAVY-DUTY LATCH
060	QUARTER TURN WITH SPRING
066	MINI-QUARTER TURN WITH SPRING
064	QUARTER TURN WITH SPRING
140	MINI COMPRESSION LATCH
1060	QUARTER TURN SPRING LOADED
040	COMPRESSION LATCH
540	COMPRESSION LATCH
440	HYGIENIC COMPRESSION LATCH
460	ANTI CONTAMINATION LATCH
045	COMPRESSION - SPRING LATCH
211	PADLOCKABLE - 'L' HANDLE
562	PADLOCKABLE WING KNOB
110	QUARTER TURN – T HANDLE
111	QUARTER TURN – L HANDLE
065	QUARTER TURN – WING KNOB
265	PADLOCKABLE WING KNOB
860	QUARTER TURN LATCH
042	SCREW LATCH
276	SAFETY LATCH
295	CONCEALED HINGE
395	CONCEALED HINGE
695	CONCEALED HINGE
795	CONCEALED HINGE
289	CONCEALED HINGE
095	CONCEALED HINGE
995	CONCEALED HINGE
1995	CONCEALED HINGE
097	CORNER HINGE
3599	LIFT-OFF HINGE
1293	LIFT-OFF HINGE
4299	LIFT-OFF HINGE
1299	MINI LEAF HINGE
600	LEAF HINGE
3299	LIFT-OFF HINGE
3099	LIFT-OFF HINGE
3399	LIFT-OFF HINGE
299	LEAF HINGE
099	LEAF HINGE
399	LEAF HINGE
599	LEAF HINGE
799	LEAF HINGE
1599	LEAF HINGE
899	LEAF HINGE
999	LEAF HINGE
2999	LEAF HINGE
2890	CONCEALED HINGE
090	SIDE HINGE (10 MM)
092	SIDE HINGE (12 MM)
192	SIDE HINGE (12 MM)
193	SIDE HINGE (16 MM)
340.00.132	TOGGLE LATCH
340.00.134	TOGGLE LATCH
279	COVER STAY
079	COVER STAY
179	COVER STAY



PAGE

452
453
454 - 455
456 - 467
458
459
460 - 461
462
463
464
465
466
466
467
468
469
470 - 471
472 - 473
474 - 475
476
477
478
479
480
481
482
483
484
485
485
486 - 487
488 - 489
490 - 491
492
493
494
495, 497
496
498
499
500
501
502
502
503
503
503
504
504, 506
505, 507
508
509
510 - 511
512
513
514
515
516
516
517
517
518
518
519
520
521



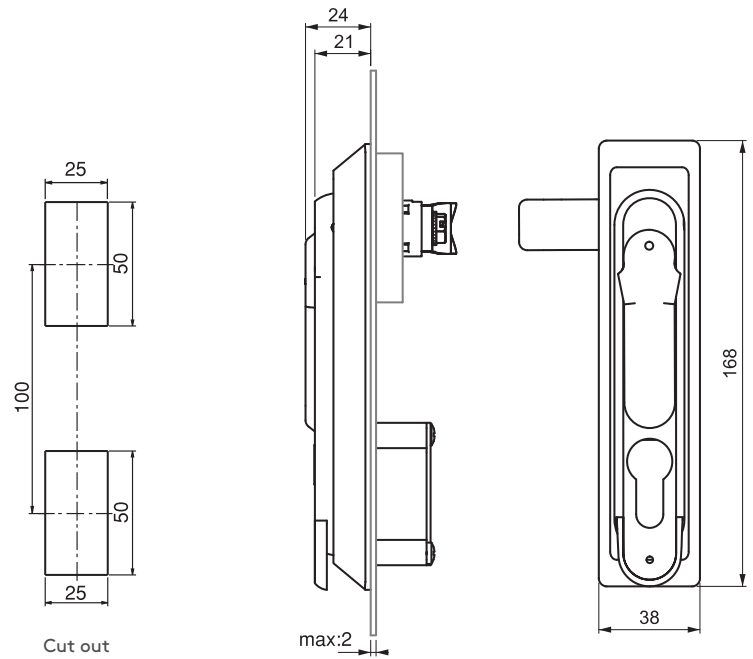
STAINLESS STEEL PRODUCTS

SWINGHANDLE

401



- RoHS
-
-
- IP 65
NEMA 4
-
-
-

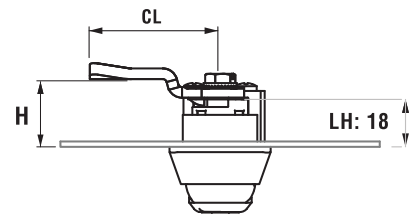
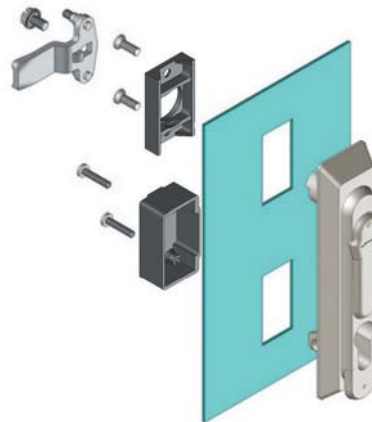


APPLICATIONS

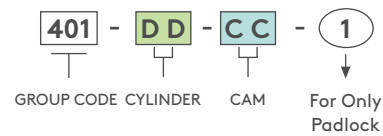
Electric panels, outdoor cabinets

MATERIAL

- BODY: Stainless Steel (AISI 316)
- HANDLE: Stainless Steel (AISI 316)
- CAM: Stainless Steel
- GASKET: Polyurethane



PRODUCT CODE



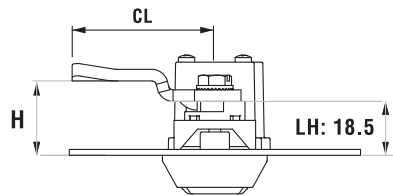
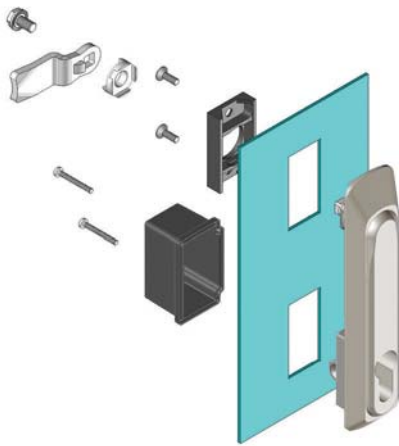
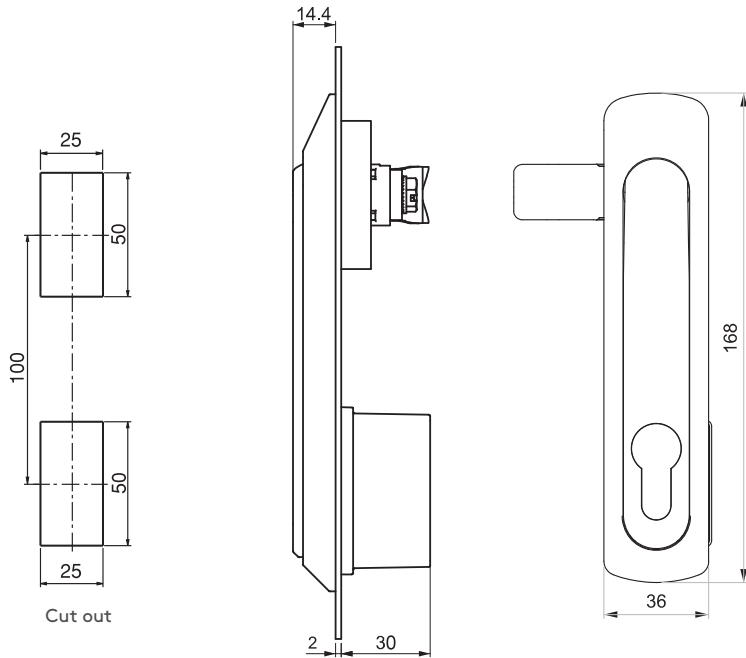
BRASS CYLINDER		DD
	No cylinder	00
	Keyed alike	11

For cams please check page: 174

For rods please check page: 178 or 460

501

SWINGHANDLE



- RoHS
- IP 65 NEMA 4

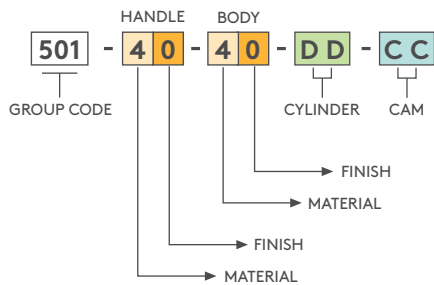



APPLICATIONS

Electric panels, outdoor cabinets

MATERIAL

BODY: Stainless Steel (AISI 316)
 HANDLE: Stainless Steel (AISI 316)
 CAM: Stainless Steel
 GASKET: Polyurethane



BRASS CYLINDER		DD
	No cylinder	00
	Keyed alike	11

For other materials please check: page 20

For cams please check page: 174

For rods please check page: 178 or 460

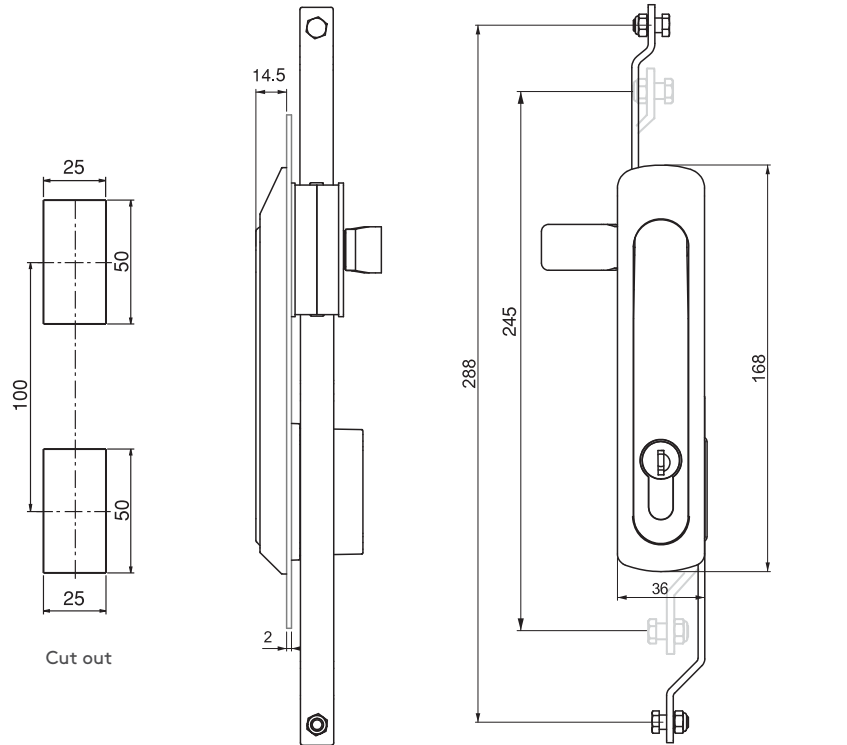
STAINLESS STEEL PRODUCTS

SWINGHANDLE GEAR BOX

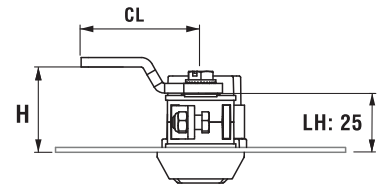
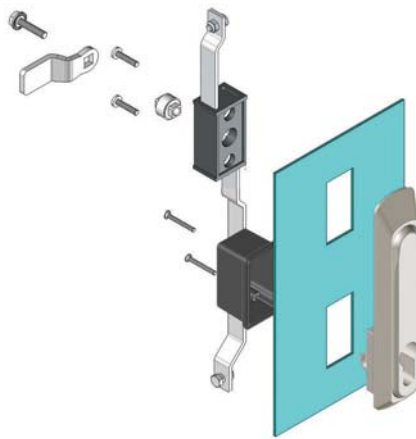
502



- RoHS
-
-
- IP 65
NEMA 4
-
-



Cut out



- Thin external profile (14.4 mm) for flush appearance
- High-security, brass, Euro Profile single cylinder available

APPLICATIONS

Electric panels, outdoor cabinets

MATERIAL

- BODY: Stainless Steel (AISI 316)
- HANDLE: Stainless Steel (AISI 316)
- MECHANISM: PA6 GFR 30
- CAM: Stainless Steel
- GASKET: Polyurethane

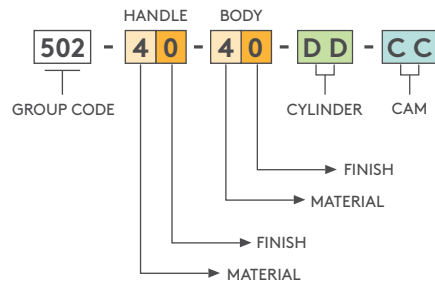
For other materials please check: page 50



For cams please check page: 174



For rods please check page: 178 or 460




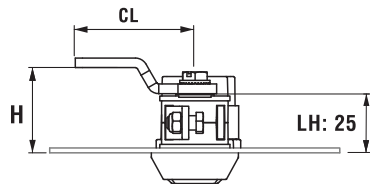
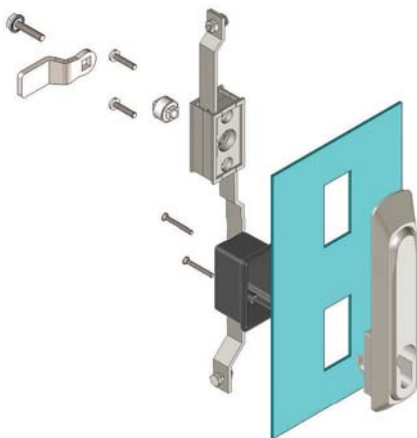
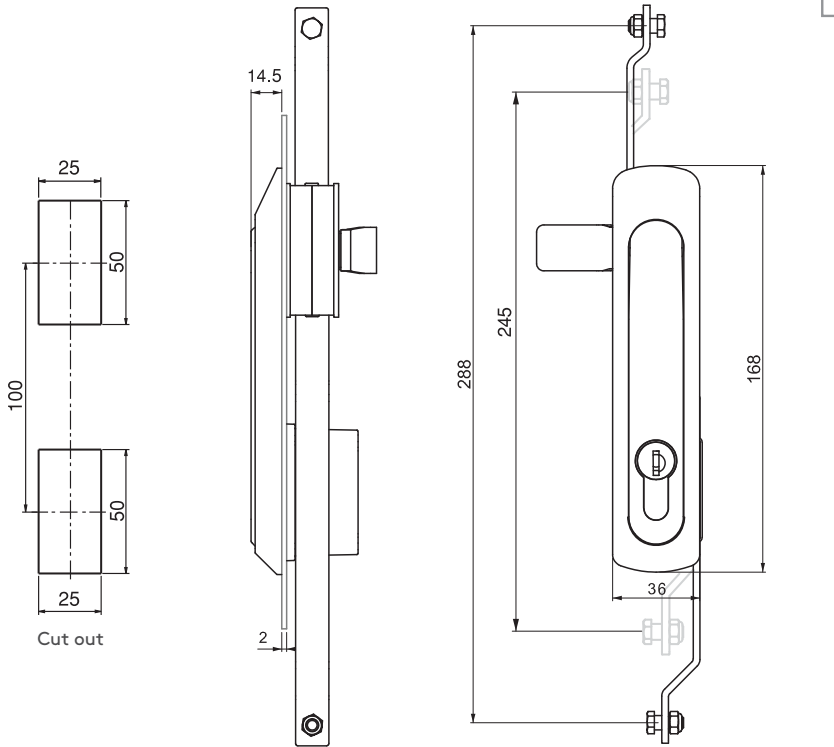
BRASS CYLINDER		DD
	No cylinder	00
	Keyed alike	11

502

SWINGHANDLE GEAR BOX

STAINLESS STEEL

-  RoHS
- 
- 
-  IP 65
NEMA 4
- 
- 



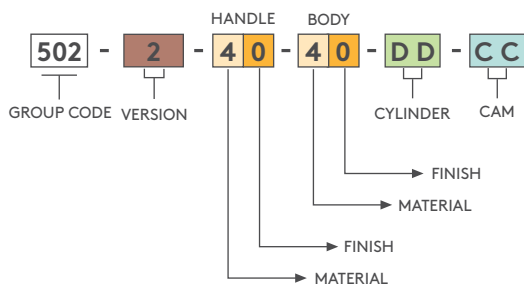
- Thin external profile (14.4 mm) for flush appearance
- High-security, brass, Euro Profile single cylinder available


APPLICATIONS

Electric panels, outdoor cabinets

MATERIAL

BODY: Stainless Steel (AISI 316)
 HANDLE: Stainless Steel (AISI 316)
 MECHANISM: Stainless Steel
 CAM: Stainless Steel
 GASKET: Polyurethane



BRASS CYLINDER		DD
	No cylinder	00
	Keyed alike	11

For other materials please check: page 50

 For cams please check page: 174

 For rods please check page: 178 or 460

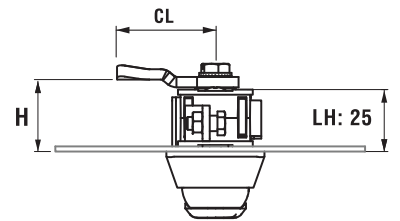
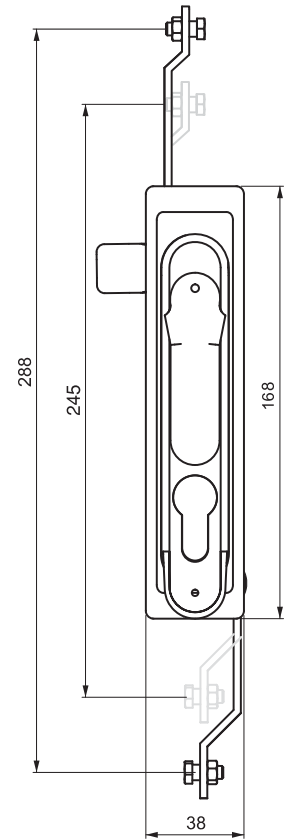
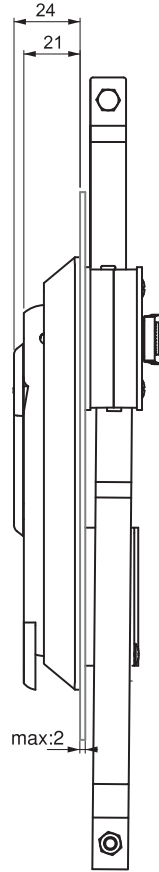
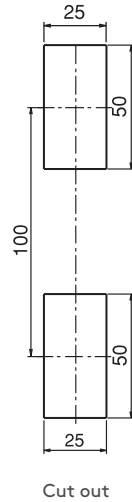
STAINLESS STEEL PRODUCTS

SWINGHANDLE GEAR BOX

402



- RoHS
-
-
- IP 65
NEMA 4
-
-

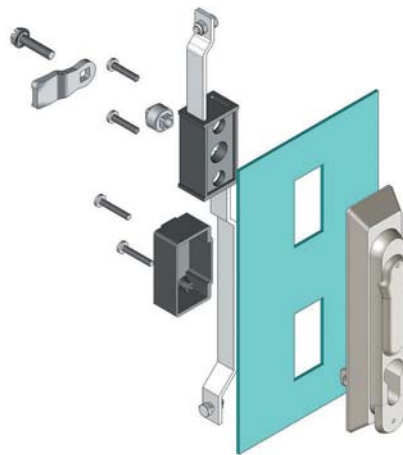


APPLICATIONS

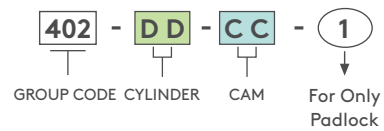
Electric panels, outdoor cabinets

MATERIAL

- BODY: Stainless Steel (AISI 316)
- HANDLE: Stainless Steel (AISI 316)
- MECHANISM: PA6 GFR 30
- CAM: Stainless Steel
- GASKET: Polyurethane



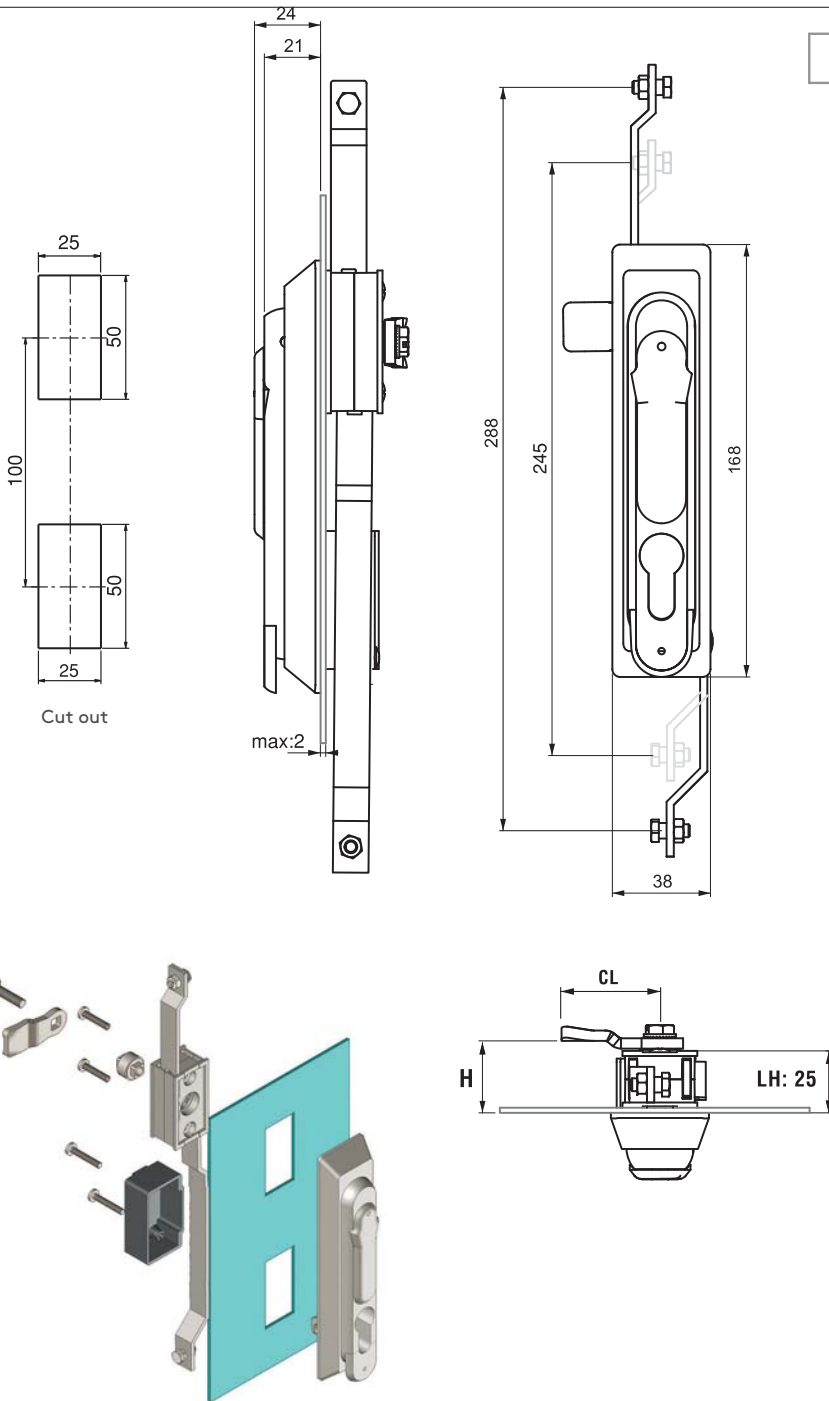
PRODUCT CODE



For cams please check page: 174

For rods please check page: 178 or 460

BRASS CYLINDER		DD
	No cylinder	00
	Keyed alike	11



402

SWINGHANDLE GEAR BOX

STAINLESS STEEL

- RoHS
-
-
- IP 65
NEMA 4
-



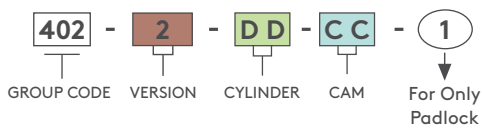
APPLICATIONS

Electric panels, outdoor cabinets

MATERIAL

- BODY: Stainless Steel (AISI 316)
- HANDLE: Stainless Steel (AISI 316)
- MECHANISM: Stainless Steel
- CAM: Stainless Steel
- GASKET: Polyurethane

PRODUCT CODE



		BRASS CYLINDER	DD
	No cylinder		00
	Keyed alike		11

For cams please check page: 174
 For rods please check page: 178 or 460

STAINLESS STEEL PRODUCTS

THREE POINT LOCK - T HANDLE

103

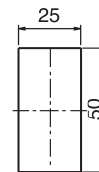
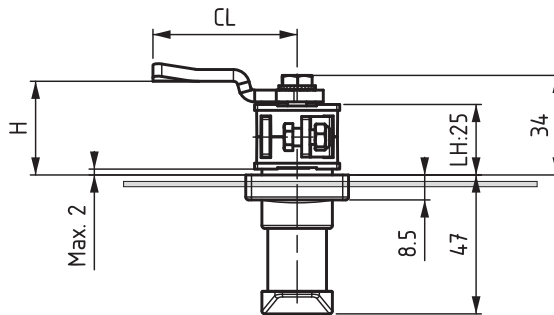
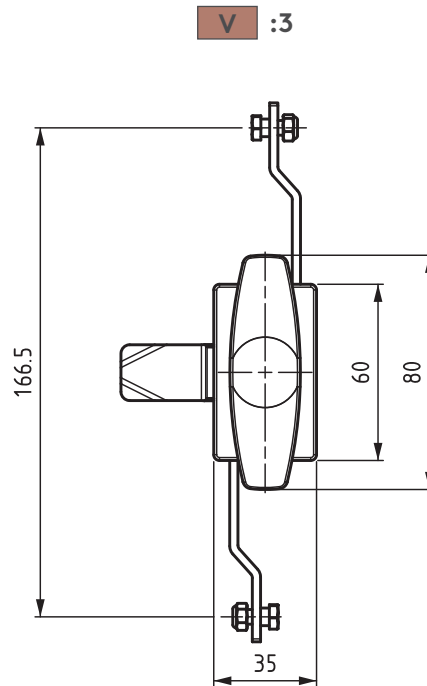


RoHS

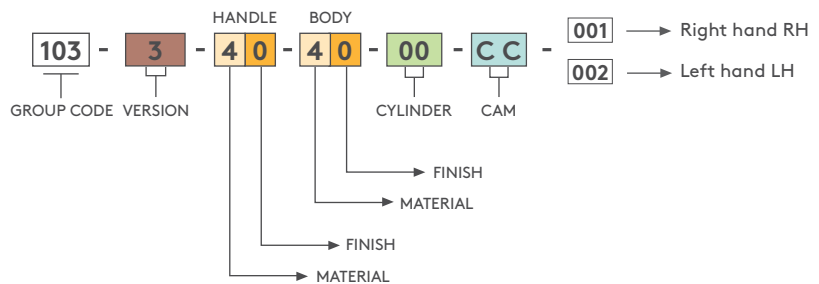


MATERIAL

BODY: Stainless Steel
 HANDLE: Stainless Steel
 MECHANISM: Zinc Only DIN-EN 1774-ZnAl4Cu1
 CAM: Stainless Steel
 GASKET: Polyurethane

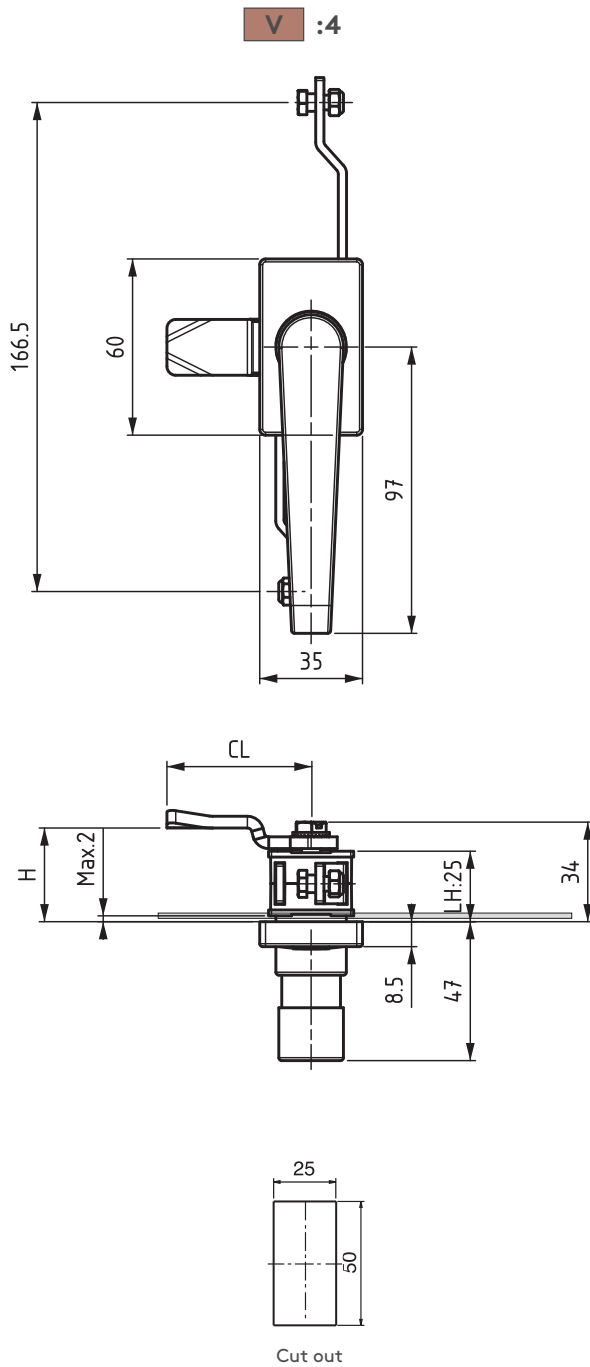


Cut out



For cams please check page: 174

For rods please check page: 178 or 460



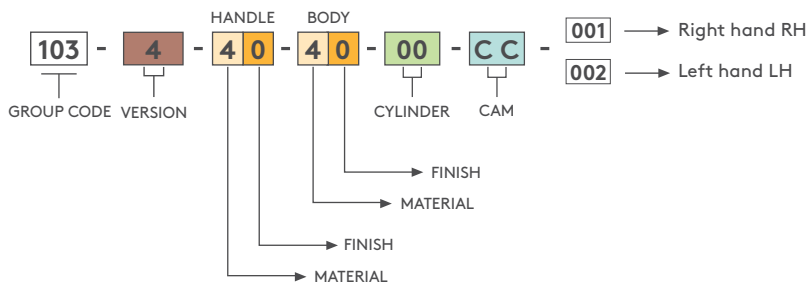
103

THREE POINT LOCK – L HANDLE



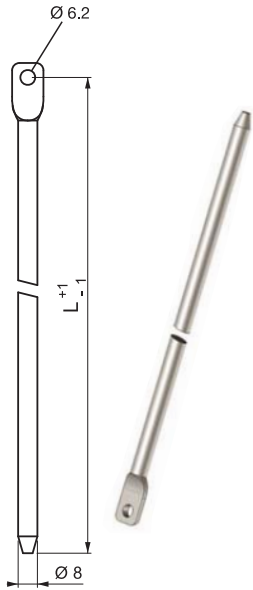
MATERIAL

BODY: Stainless Steel
 HANDLE: Stainless Steel
 MECHANISM: Zinc Only DIN-EN 1774-ZnAl4Cu1
 CAM: Stainless Steel
 GASKET: Polyurethane



For cams please check page: 174
 For rods please check page: 178 or 460

STAINLESS STEEL PRODUCTS



V :1

L MM	PRODUCT CODE
400	IC 4-0-1-400
500	IC 4-0-1-500
600	IC 4-0-1-600
700	IC 4-0-1-700
800	IC 4-0-1-800
900	IC 4-0-1-900
1000	IC 4-0-1-1000

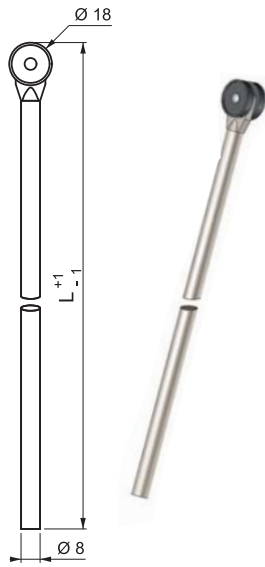
APPLICATION:

- With gear-box locks
- Locks with three-point cam



ACCESSORIES:

- Round-rod guide (CY)



V :2

L MM	PRODUCT CODE
400	IC 4-0-2-400
500	IC 4-0-2-500
600	IC 4-0-2-600
700	IC 4-0-2-700
800	IC 4-0-2-800
900	IC 4-0-2-900
1000	IC 4-0-2-1000

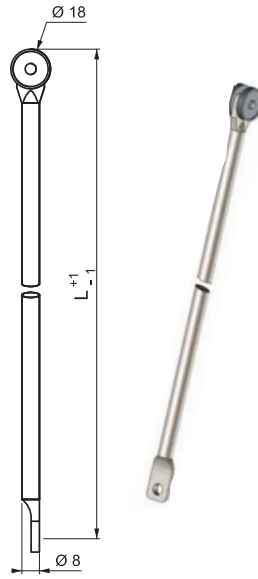
APPLICATION:

- With gear-box locks
- Locks with three-point cam



ACCESSORIES:

- Round-rod guide (CY)
- Rod adapter (CT)



V :3

L MM	PRODUCT CODE
400	IC 4-0-3-400
500	IC 4-0-3-500
600	IC 4-0-3-600
700	IC 4-0-3-700
800	IC 4-0-3-800
900	IC 4-0-3-900
1000	IC 4-0-3-1000

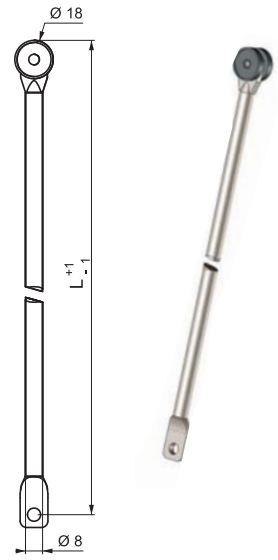
APPLICATION:

- Locks with three-point cam



ACCESSORIES:

- Round-rod guide (CY)



V :4

L MM	PRODUCT CODE
400	IC 4-0-4-400
500	IC 4-0-4-500
600	IC 4-0-4-600
700	IC 4-0-4-700
800	IC 4-0-4-800
900	IC 4-0-4-900
1000	IC 4-0-4-1000

APPLICATION:

- With gear-box locks



ACCESSORIES:

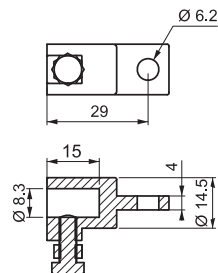
- Round-rod guide (CY)

For other materials please check: pages 152 and 153

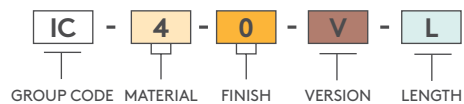
CT.4.0



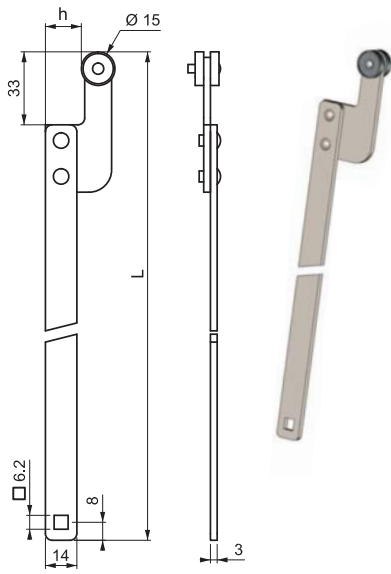
Rod adapter



PRODUCT CODE



For different 'L' Lengths, please contact us



V :1

H MM	L MM	PRODUCT CODE
27	1020	IL 4-0-1-27-1020
13	1020	IL 4-0-1-13-1020

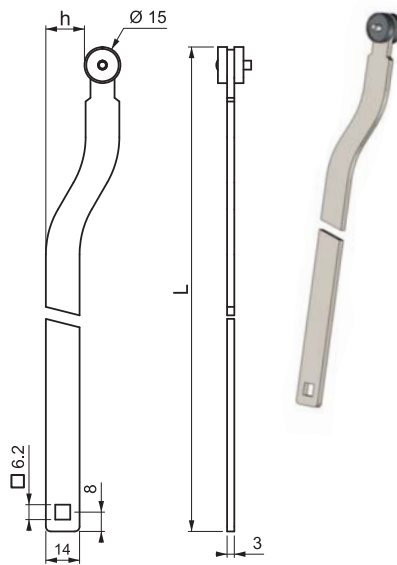
APPLICATION:

- With gear-box locks



ACCESSORIES:

- Flat-rod guide (LY)



V :2

H MM	L MM	PRODUCT CODE
21	1020	IL 4-0-2-21-1020
16	1020	IL 4-0-2-16-1020

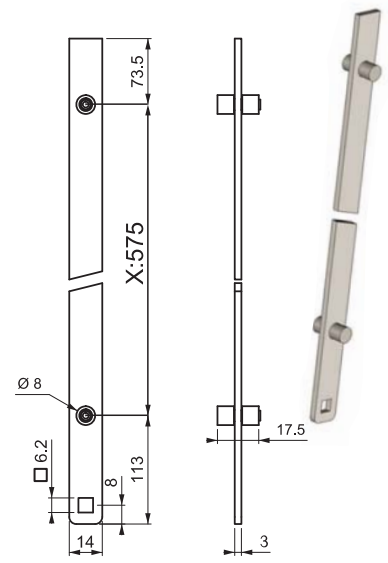
APPLICATION:

- With gear-box locks



ACCESSORIES:

- Flat-rod guide (LY)



V :3

X MM	PRODUCT CODE
575	ILP 4-0-1-575

APPLICATION:

- With gear-box locks

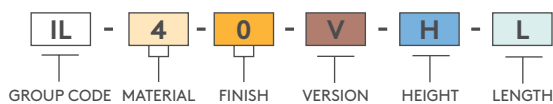


ACCESSORIES:

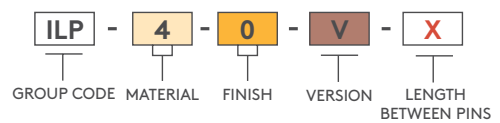
- Flat-rod guide (LY)
- Dual roller catcher (LKY)

For other materials please check: page 161

PRODUCT CODE



PRODUCT CODE



For different 'L' Lengths, please contact us

STAINLESS STEEL PRODUCTS

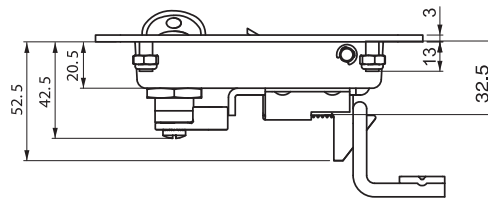
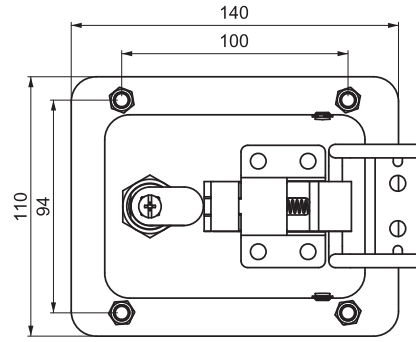
PUSH-TO-CLOSE LATCH

016



- Slam-shut operation; brass cam
- Can be opened from inside by moving cam

MATERIAL
Stainless Steel (AISI 304)



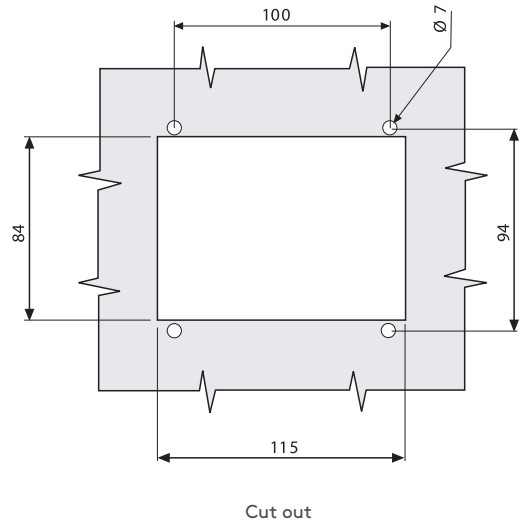
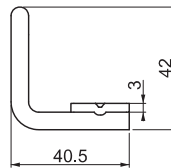
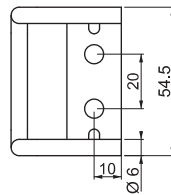
CAM STRIKING PLATE

016 A740

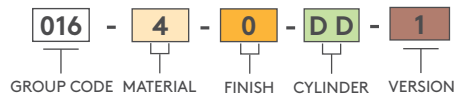


- Striking plate. Custom sizes available

MATERIAL
Stainless Steel (AISI 304)



PRODUCT CODE



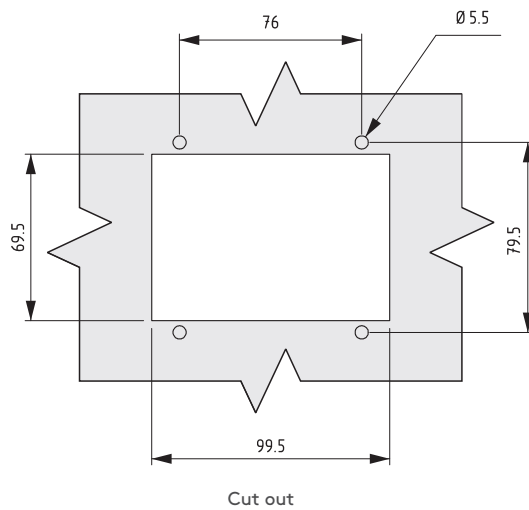
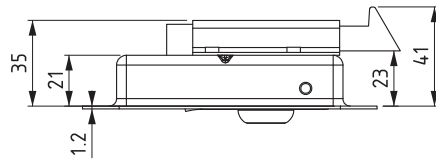
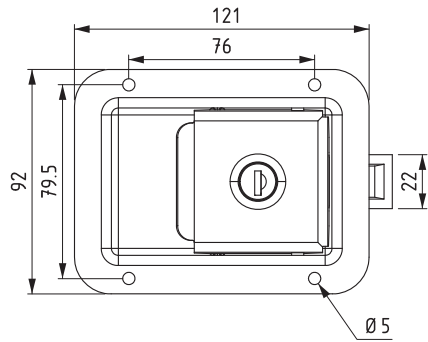
SPECIFICATIONS	DD
Stainless steel dust cap keyed alike	03
Stainless steel dust cap Keyed differ	32

For other materials please check: page 96



416

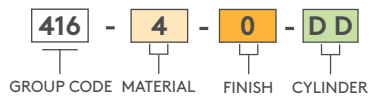
PUSH-TO-CLOSE LATCH



- Slam-shut operation
- Can be opened from inside by moving cam

MATERIAL
Stainless Steel (AISI 304)

PRODUCT CODE




SPECIFICATIONS	DD
Stainless steel dust cap keyed alike	03
Stainless steel dust cap Keyed differ	32

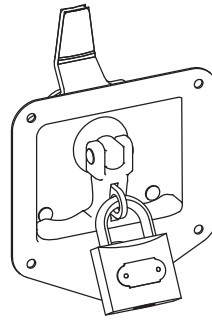
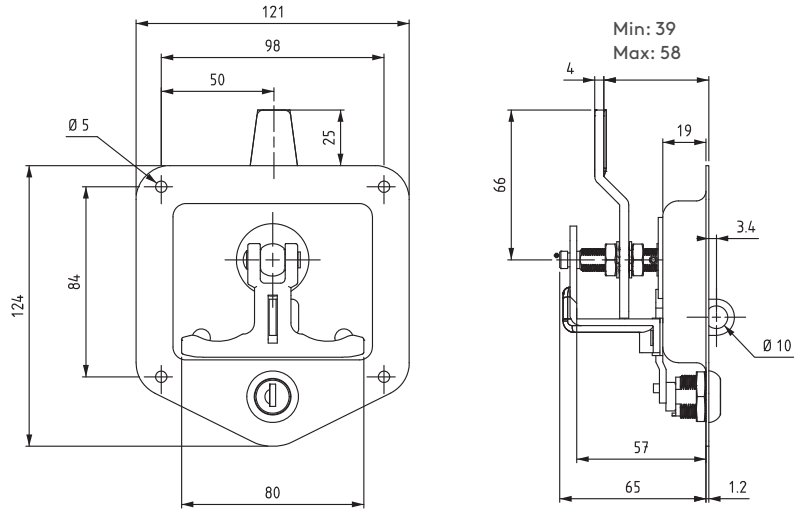
STAINLESS STEEL PRODUCTS

T HANDLE HEAVY-DUTY LATCH

315



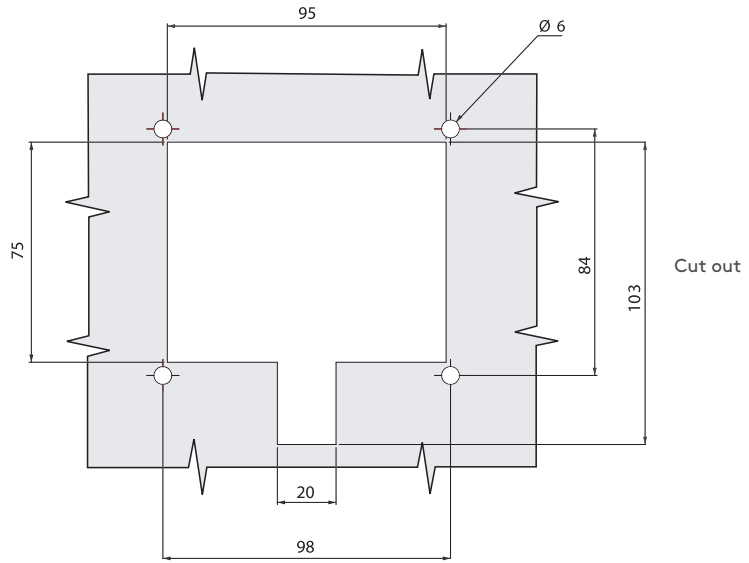
-  RoHS
- 
- 
- 
- 



- Suitable for special equipment cases
- Adjustable cam for wide grip range
- Maximum padlock shackle diameter 9 mm

MATERIAL

BODY: Stainless steel
 HANDLE: Zinc Only DIN-EN 1774-ZnAl4Cu1
 PADLOCK HASP: Stainless steel
 CAM: Steel



PRODUCT CODE

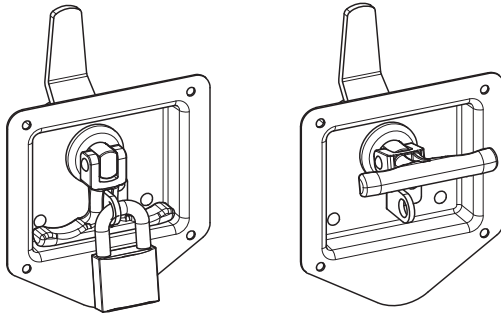
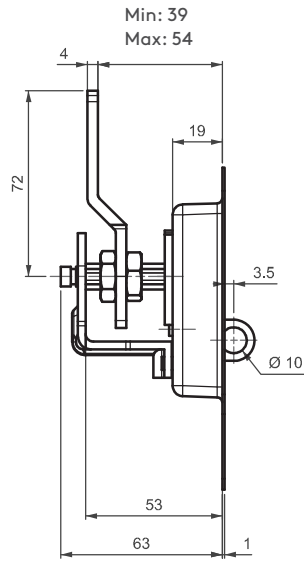
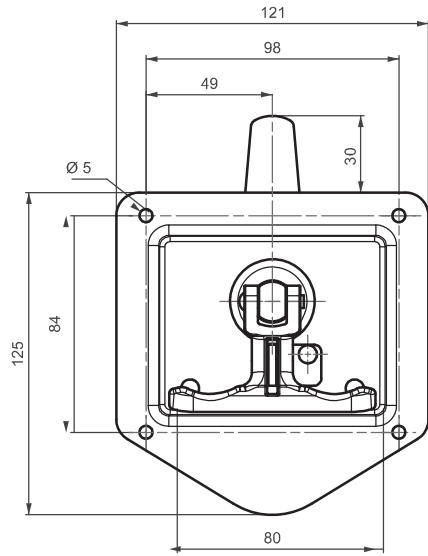
315 - **4** - **0** - **03**
 GROUP CODE MATERIAL FINISH CYLINDER

SPECIFICATIONS

Stainless steel dust cap keyed alike

DD

03



115

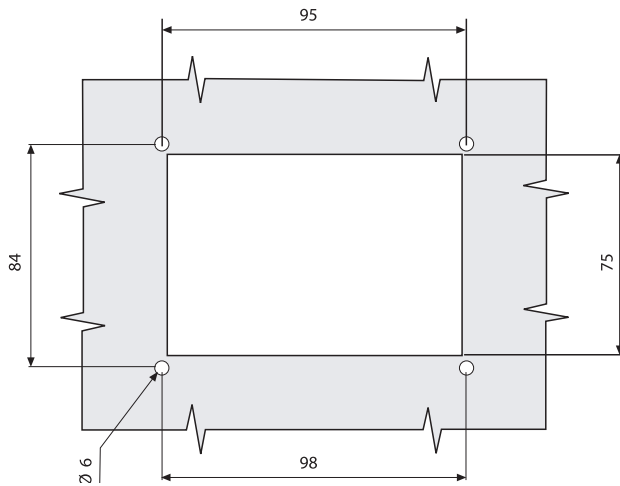
T HANDLE
HEAVY-DUTY LATCH



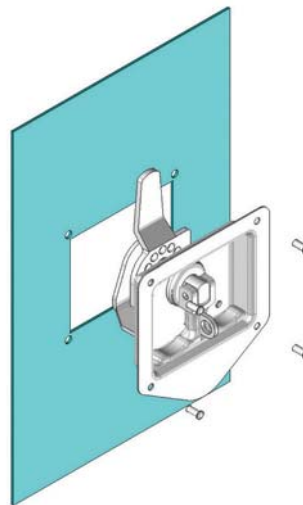
- Suitable for special equipment cases
- Adjustable cam for different grip range
- Maximum padlock shackle diameter 9 mm

MATERIAL

BODY: Stainless Steel
HANDLE: Zinc Only DIN-EN 1774-ZnAl4Cu1
CAM: Steel



Cut out



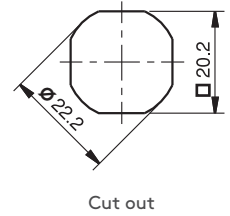
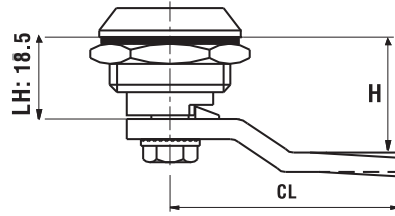
PRODUCT CODE

115 - 4 - 0
GROUP CODE MATERIAL FINISH

STAINLESS STEEL PRODUCTS

QUARTER TURN – SPRING LOADED

060



Cut out

- Specially designed internal spring provides 1.5 mm of compression
- IP 66 (Nema 4), optional

MATERIAL

Stainless Steel (AISI 3.....)

Note: For different drivers please contact Essentra Components

For cams please check page: 174

For keys please check pages: 189 - 191

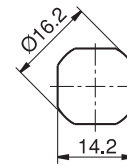
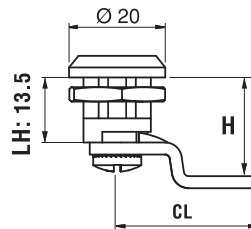
3 mm Double bit		5 mm Double bit		8 mm Square		7 mm Triangular		8 mm Triangular		Railway	
DD		DD		DD		DD		DD		DD	
13		15		28		37		38		88	

PRODUCT CODE



MINI QUARTER TURN – SPRING LOADED

066



Cut out

- Specially designed internal spring provides 1 mm of compression
- Sealing washer not supplied
- There is no IP 65 version of this latch

MATERIAL

Stainless Steel (AISI 3.....)



Application key code: 267

MATERIAL

Zinc Only DIN-EN 1774-ZnAl4Cu1

FINISH

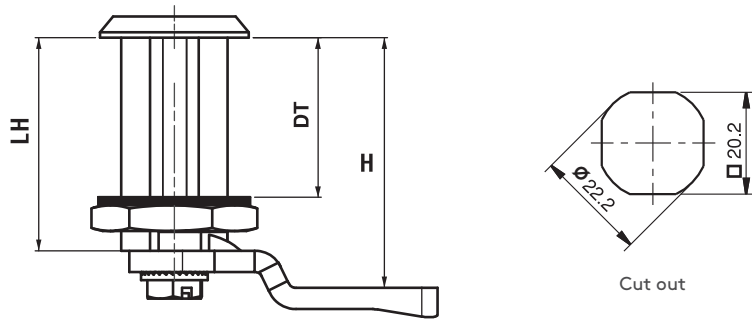
Chrome plated

For other materials please check: page 236

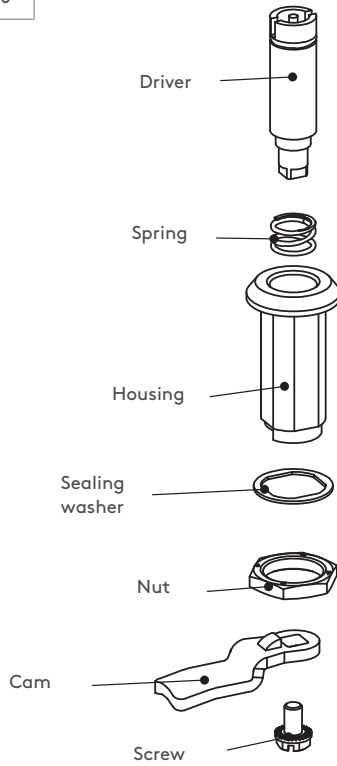
6 mm Square		7 mm Triangular		Slot	
DD		DD		DD	
26		37		42	

PRODUCT CODE





DT	LH
30	40
40	50
50	60



064

QUARTER TURN -
SPRING LOADED



- Specially designed internal spring provides 1.5 mm of compression
- IP 66 (Nema 4), optional

MATERIAL

Stainless Steel (AISI 3.....)

⚠ Note: For different drivers please contact Essentra Components

3 mm Double bit		5 mm Double bit		8 mm Square		7 mm Triangular		8 mm Triangular		Railway	
DD		DD		DD		DD		DD		DD	
13		15		28		37		38		88	

For other materials please check: page 225

PRODUCT CODE



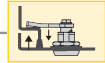
For cams please check page: 174

For keys please check pages: 189 - 191

STAINLESS STEEL PRODUCTS

MINI COMPRESSION LATCH

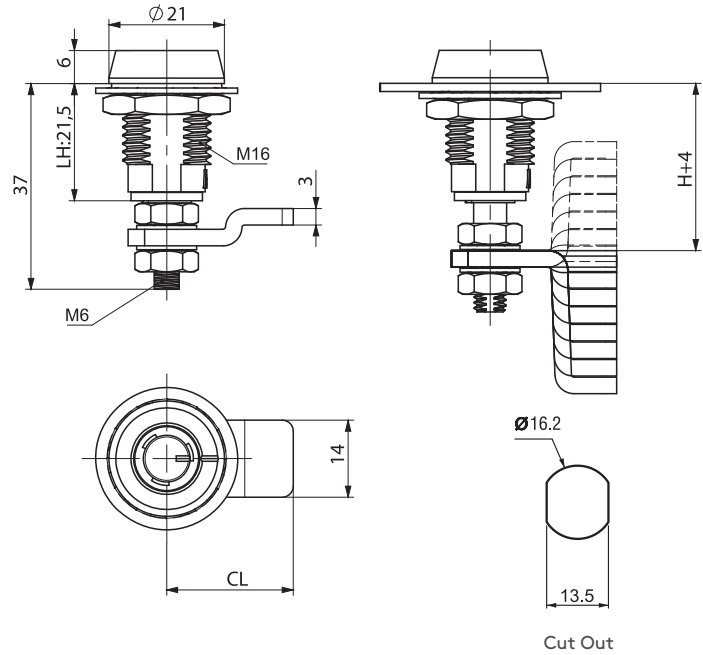
140



- Used for cabinets that require better sealing under vibrating conditions
- 4 mm compression ratio
- Provides noise isolation
- Driver and cam alternatives available

MATERIAL

HOUSING: Stainless Steel (AISI 316)
 DRIVER/TOOL: Stainless Steel (AISI 316)
 CAM: Stainless Steel (AISI 304)
 NUT: Stainless Steel (AISI 30)



CAM	CC	CH	CL	POSITION	H: GRIP	
					MIN	MAX
1	01	0	23	Flat	26.2	29.4
2	02	1.0	23	Up	25.2	28.4
				Down	27.2	30.4
3	03	3.8	23	Up	22.4	25.6
				Down	30.0	33.2
4	04	7.0	23	Up	19.2	22.4
				Down	33.2	36.4
5	05	10.2	23	Up	16.0	19.2
				Down	36.4	39.6
6	06	13.4	23	Up	12.8	16.0
				Down	39.6	42.8
7	07	16.6	23	Up	9.6	12.8
				Down	42.8	46.0
8	08	19.8	23	Up	6.4	9.6
				Down	46.0	49.2
9	09	23.0	23	Up	3.2	6.4
				Down	49.2	52.4

DRIVER/TOOL	
Tubular key	
DD	
93	
4 mm Hexagon	
DD	
64	
Slot	
DD	
45	

DUST CAP

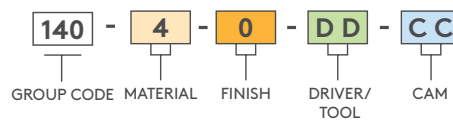
140 A1



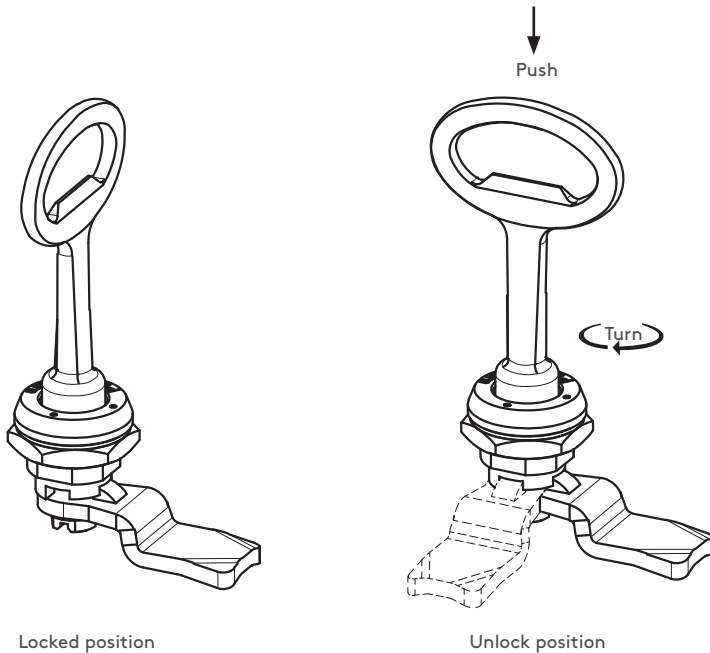
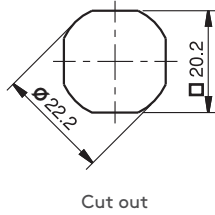
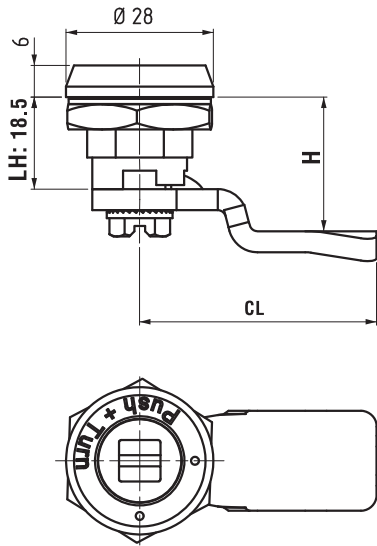
(Order separately)

MATERIAL : Polyurethane

PRODUCT CODE

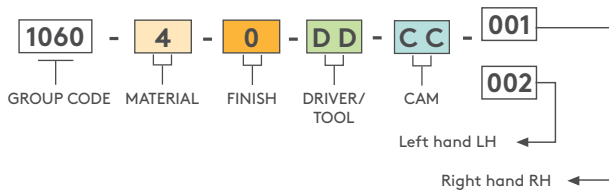


For keys please check pages: 189 - 191



3 mm Double bit	5 mm Double bit	8 mm Square	7 mm Triangular	8 mm Triangular	Railway
DD	DD	DD	DD	DD	DD
13	15	28	37	38	88

PRODUCT CODE



1060



QUARTER TURN -
SPRING LOADED



- Vibration proof quarter turn
- Opening the latch only possible by pushing and rotating the driver by the key

MATERIAL

HOUSING: Stainless Steel (AISI 316)
 DRIVER/TOOL: Stainless Steel (AISI 316)
 CAM: Stainless Steel (AISI 304)
 NUT: Stainless Steel (AISI 304)

Note: For different drivers please contact Essentra Components

For cams please check page: 174

For keys please check pages: 189 - 191

STAINLESS STEEL PRODUCTS

COMPRESSION LATCH

040

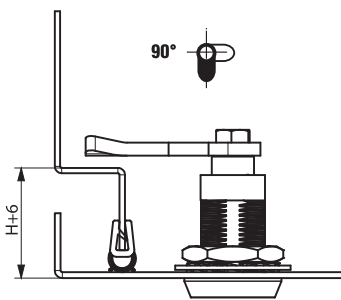
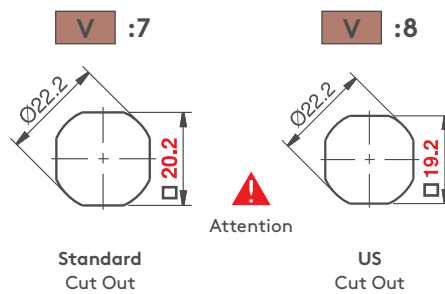
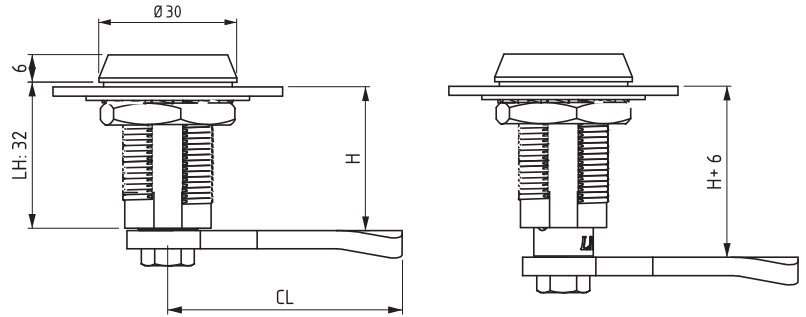


- RoHS
- IP 65 NEMA 4
-
-
-

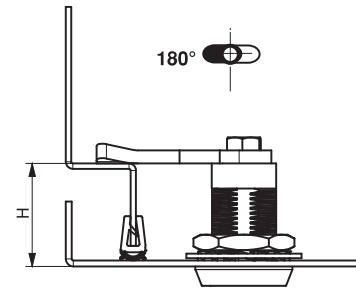
- Used for cabinets that require better sealing under vibrating conditions
- Provides 6 mm of compression
- Provides noise isolation
- Different drivers/cams available
- Standard cams without stopper required for these latches
- The latch has been tested according to the DIN EN 61373 Category 1-B for vibration and shock.
- Working Temperature Range: -50/+80 C
- M22 Nut : should be fixed with 60 Nm
- M10 Nut: should be fixed with 10 Nm
- Threadlocker is applied to the nut threads to get extra fastness against vibration and shock
- Max load capacity: 562 N

MATERIAL

HOUSING: Stainless Steel (AISI 316)
 DRIVER/TOOL: Stainless Steel (AISI 316)
 CAM: Stainless Steel (AISI 304)
 NUT: Stainless Steel (AISI 304)



The first 90° of key rotation turns the cam to locking position



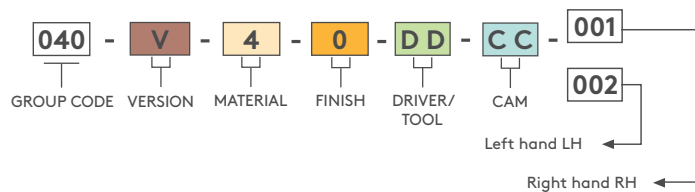
Further key rotation 180° applies 6mm compression

DRIVER/TOOL

3 mm Double bit DD 13	5 mm Double bit DD 15	Railway DD 88	8 mm Square DD 28	2X4 mm Slot DD 42
7 mm Triangular DD 37		8 mm Triangular DD 38		

Note: For different drivers please contact Essentra Components

PRODUCT CODE

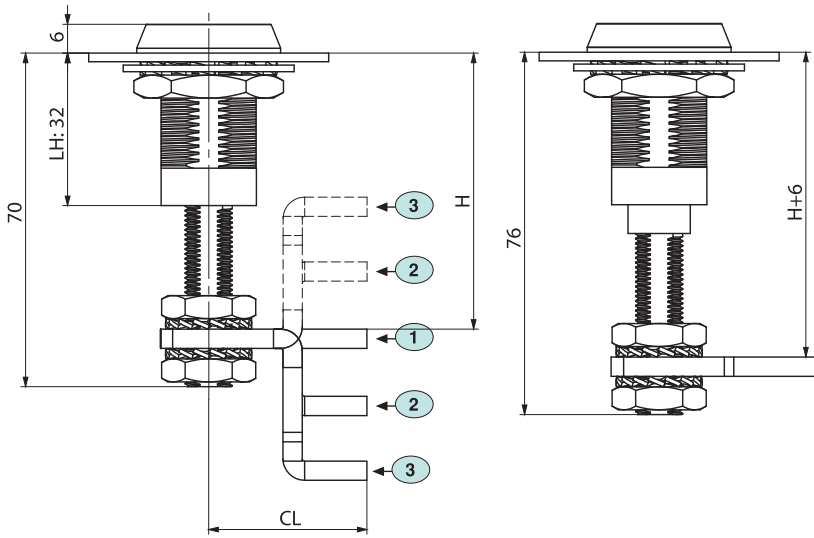


For cams please check page: 174

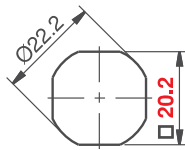
For keys please check pages: 189 - 191

040

COMPRESSION LATCH

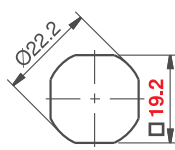


V :5

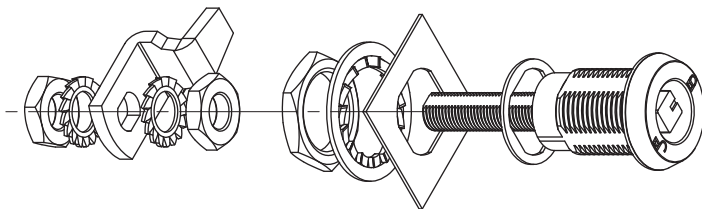


Standard
Cut Out

V :6



US
Cut Out



- Used for cabinets that require better sealing under vibrating conditions
- 6 mm of compression
- Wide grip range with adjustable screw
- Noise isolation
- Different drivers/cams available
- Three different cam alternatives available
- The latch has been tested according to the DIN EN 61373 Category 1-B for vibration and shock.
- Working Temperature Range: -50/+80 C
- M22 Nut : should be fixed with 60 Nm
- M10 Nut: should be fixed with 10 Nm
- Threadlocker is applied to the nut threads to get extra fastness against vibration and shock
- Max load capacity: 562 N

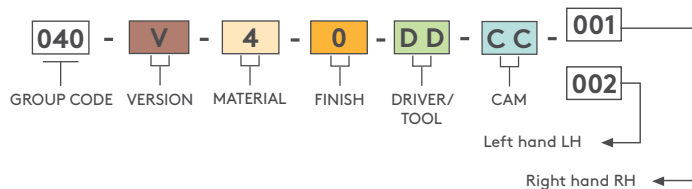
MATERIAL

HOUSING: Stainless Steel (AISI 316)
 DRIVER/TOOL: Stainless Steel (AISI 316)
 CAM: Stainless Steel (AISI 304)
 NUT: Stainless Steel (AISI 304)

CAM	CC	CH	CL	POSITION	H: GRIP	
					MIN	MAX
1	01	0	33	Flat	41	58
2	02	14	33	Up	27	44
				Down	55	72
3	03	27,5	33	Up	13,5	30,5
				Down	68	85

⚠ Note: For different drivers please contact Essentra Components

PRODUCT CODE



STAINLESS STEEL PRODUCTS

COMPRESSION LATCH

540

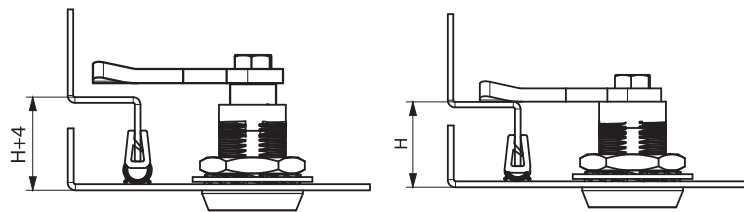
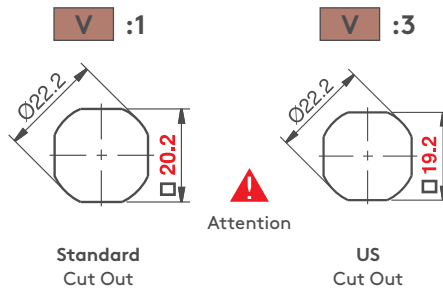
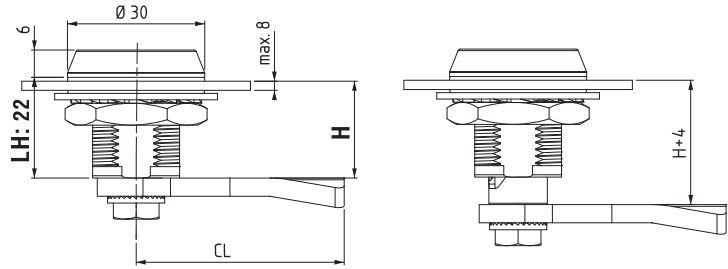
SHORT HOUSING



- Used for cabinets that require better sealing under vibrating conditions
- Provides 4 mm of compression
- Provides noise isolation
- Different drivers/cams available
- Standard cams without stopper required for these latches
- The latch has been tested according to the DIN EN 61373 Category 1-B for vibration and shock.
- Working Temperature Range: -50/+80 C
- M22 Nut : should be fixed with 60 Nm
- M10 Nut: should be fixed with 10 Nm
- Threadlocker is applied to the nut threads to get extra fastness against vibration and shock
- Max load capacity: 562 N

MATERIAL

HOUSING: Stainless Steel (AISI 316)
 DRIVER/TOOL: Stainless Steel (AISI 316)
 CAM: Stainless Steel (AISI 304)
 NUT: Stainless Steel (AISI 304)



The first 90° of key rotation turns the cam to locking position

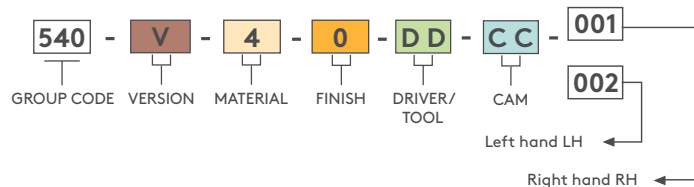
Further key rotation 180° applies 4 mm compression

DRIVER/TOOL

3 mm Double bit	5 mm Double bit	Railway	8 mm Square	2X4 mm Slot
DD 13	DD 15	DD 88	DD 28	DD 42
		7 mm Triangular	8 mm Triangular	
		DD 37	DD 38	

! Note: For different drivers please contact Essentra Components

PRODUCT CODE



For cams please check pages: 174

For keys please check pages: 189 - 191



540

COMPRESSION LATCH

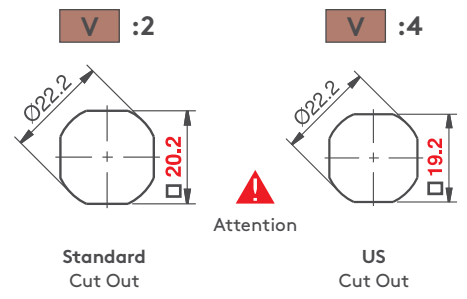
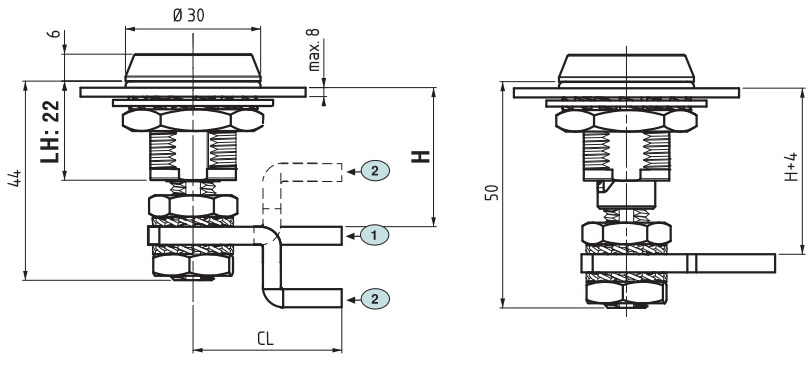
SHORT HOUSING



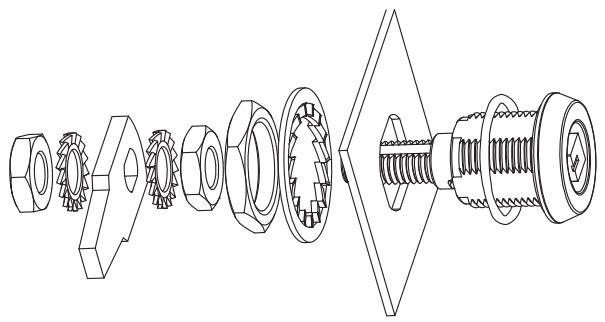
- Used for cabinets that require better sealing under vibrating conditions
- 4 mm of compression
- Wide grip range with adjustable screw
- Noise isolation
- Different drivers/cams available
- Three different cam alternatives available
- The latch has been tested according to the DIN EN 61373 Category 1-B for vibration and shock.
- Working Temperature Range: -50/+80 C
- M22 Nut : should be fixed with 60 Nm
- M10 Nut: should be fixed with 10 Nm
- Threadlocker is applied to the nut threads to get extra fastness against vibration and shock
- Max load capacity: 562 N

MATERIAL
 HOUSING: Stainless Steel (AISI 316)
 DRIVER/TOOL: Stainless Steel (AISI 316)
 CAM: Stainless Steel (AISI 304)
 NUT: Stainless Steel (AISI 304)

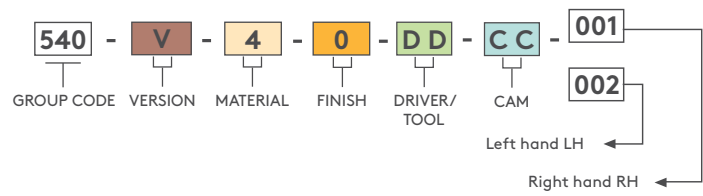
Note: For different drivers please contact Essentra Components



CAM	CC	CH	CL	H GRIP	
				MIN	MAX
1	01	0	33	28	38
2	02	14	33	14	52



PRODUCT CODE



For keys please check pages: 189 - 191

STAINLESS STEEL PRODUCTS

HYGIENIC COMPRESSION LATCH

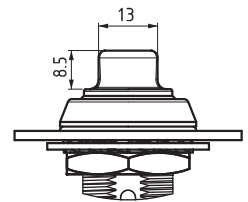
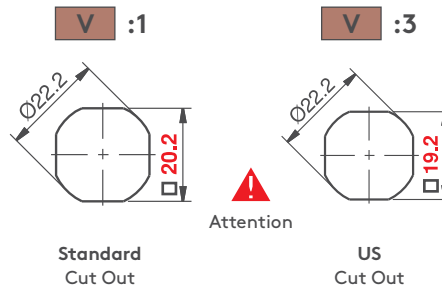
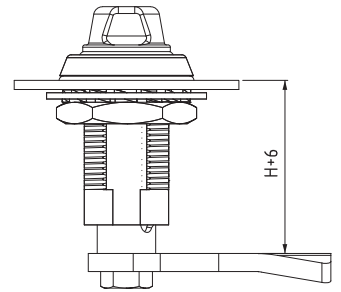
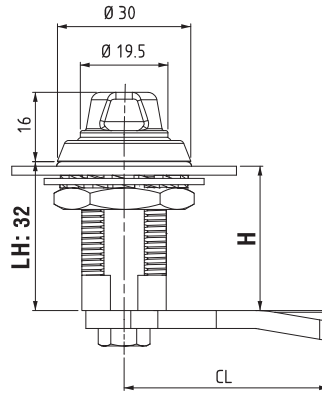
440



- Dirt resistant and easy to clean
- Specially designed for hygiene requirements
- Used for cabinets that require better sealing under vibrating conditions
- Noise isolation
- 6 mm of compression
- Different drivers/cams available
- The latch has been tested according to the DIN EN 61373 Category 1-B for vibration and shock.
- The latch has been tested according to the GS-NV 6:2015/12 for hygiene requirements
- Working Temperature Range: -50/+80 C
- M22 Nut : should be fixed with 60 Nm
- M10 Nut: should be fixed with 10 Nm
- Threadlocker is applied to the nut threads to get extra fastness against vibration and shock
- Max load capacity: 562 N

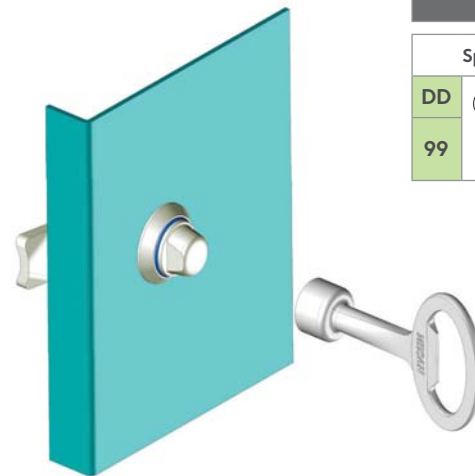
MATERIAL

HOUSING: Stainless Steel (AISI 316)
 DRIVER/TOOL: Stainless Steel (AISI 316)
 CAM: Stainless Steel (AISI 304)
 NUT: Stainless Steel (AISI 304)
 ORING: Silicone



DRIVER/TOOL

Special		8 mm Square	
DD		DD	
99		28	



METAL KEY

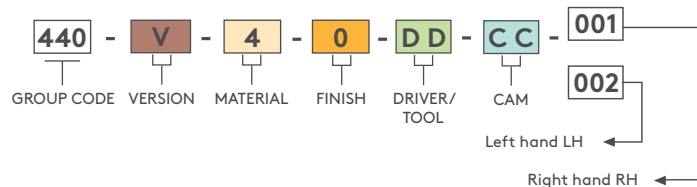
368-94



MATERIAL & FINISH

Zinc Only DIN-EN 1774-ZnAl4Cu1 Chrome plated

PRODUCT CODE



440

HYGIENIC COMPRESSION LATCH

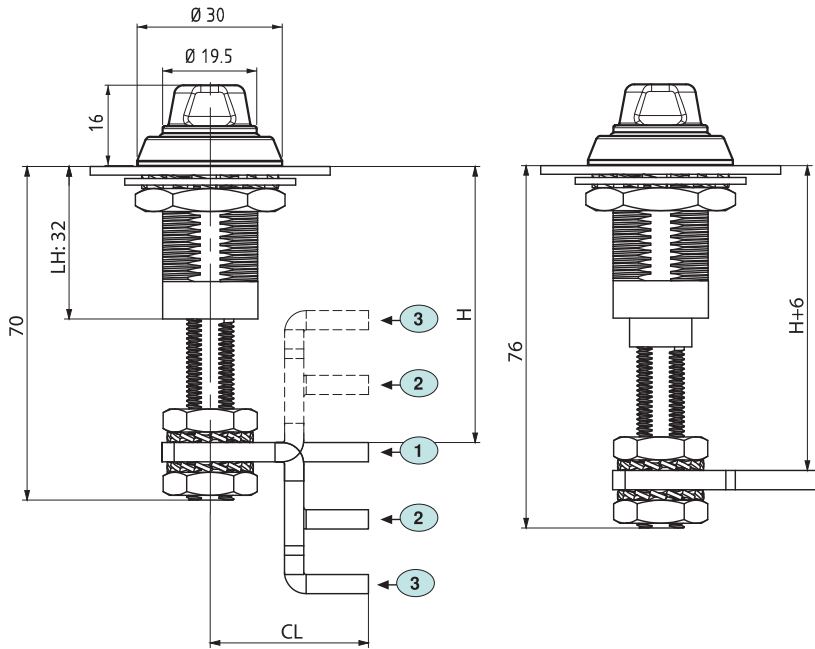


- Dirt resistant and easy to clean
- Specially designed for hygiene requirements
- Used for cabinets that require better sealing under vibrating conditions
- 6 mm of compression
- Wide grip range with adjustable screw
- Noise isolation
- Different drivers/cams available
- Three different cam alternatives available
- The latch has been tested according to the DIN EN 61373 Category 1-B for vibration and shock.
- The latch has been tested according to the GS-NV 6:2015/12 for hygiene requirements
- Working Temperature Range: -50/+80 C
- M22 Nut : should be fixed with 60 Nm
- M10 Nut: should be fixed with 10 Nm
- Threadlocker is applied to the nut threads to get extra fastness against vibration and shock
- Max load capacity: 562 N

MATERIAL

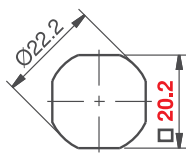
HOUSING: Stainless Steel (AISI 316)
 DRIVER/TOOL: Stainless Steel (AISI 316)
 CAM: Stainless Steel (AISI 304)
 NUT: Stainless Steel (AISI 304)
 ORING: Silicone

For cams please check pages: 174



V :2

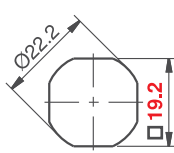
V :4



Standard Cut Out



Attention

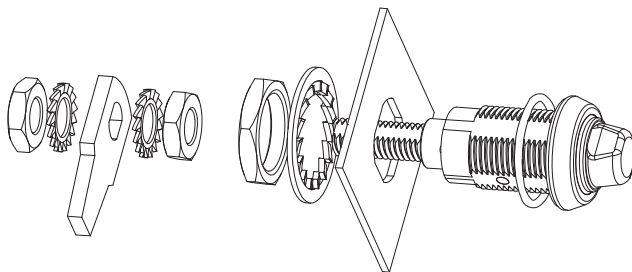


US Cut Out

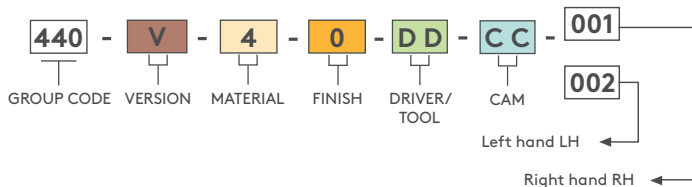
CAM	CC	CH	CL	POSITION	H: GRIP	
					MIN	MAX
1	01	0	33	Flat	41	58
2	02	14	33	Up	27	44
				Down	55	72
3	03	27,5	33	Up	13,5	30,5
				Down	68	85

DRIVER/TOOL

Special		8 mm Square	
DD		DD	
99		28	



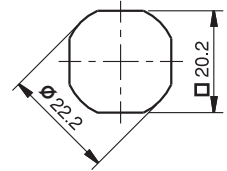
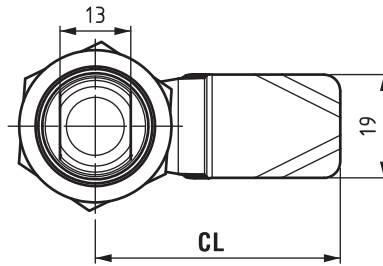
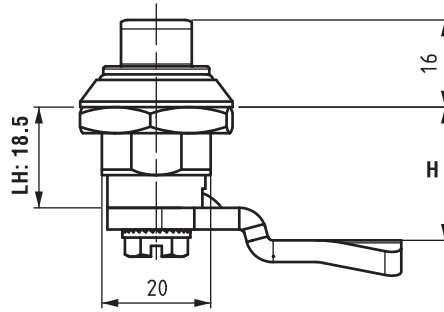
PRODUCT CODE



STAINLESS STEEL PRODUCTS

HYGIENIC LATCH

460



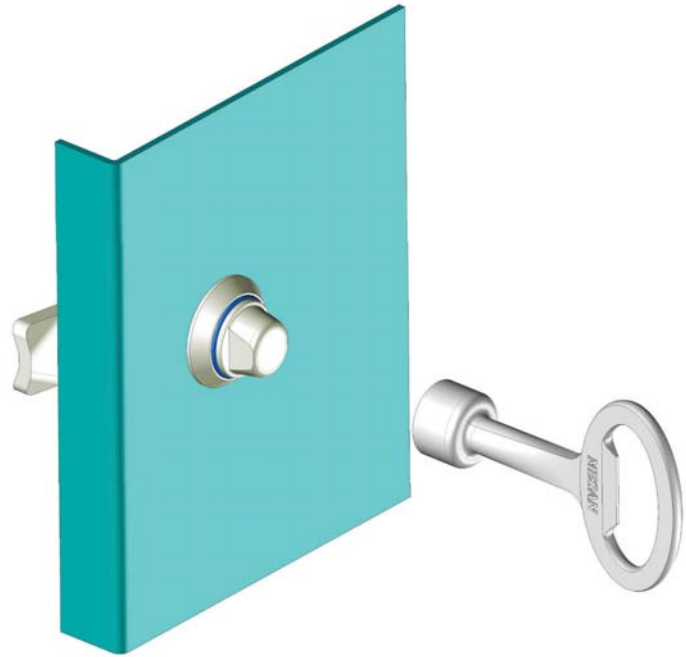
- Dirt resistant and easy to clean
- The latch has been tested according to the GS-NV 6:2015/12 for hygiene requirements
- Specially designed for hygiene requirements

MATERIAL

HOUSING: Stainless Steel (AISI 316)
 DRIVER/TOOL: Stainless Steel (AISI 316)
 CAM: Stainless Steel (AISI 304)
 ORING: Silicone

METAL KEY

368-94



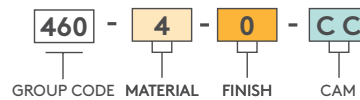
MATERIAL

Zinc Only DIN-EN 1774-ZnAl4Cu1

FINISH

Chrome plated

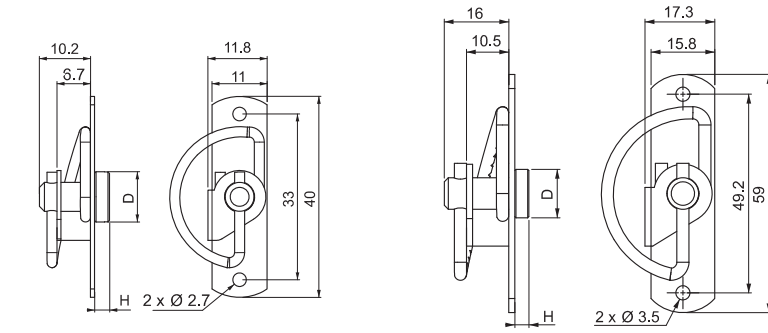
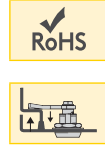
PRODUCT CODE



For cams please check page: 174

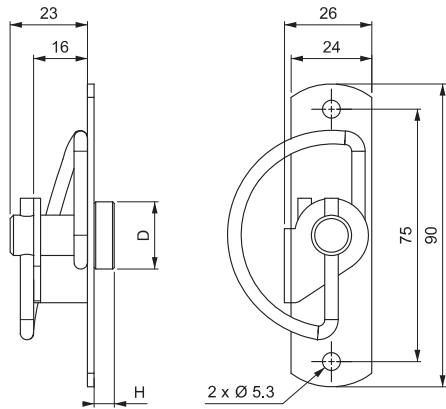
045

COMPRESSION - SPRING LATCH

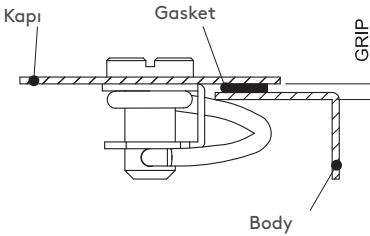


Small

Medium



Large



- Fix small panels to frame with ease
- Quarter-turn locking
- Easy assembly
- For doors with a bend of 24 mm

MATERIAL

BODY: Stainless steel
 DRIVER:/TOOL Stainless steel
 SPRING: Stainless steel

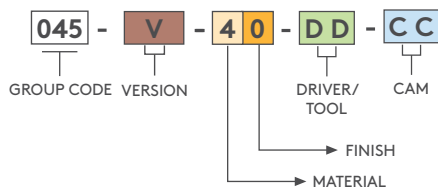
DRIVER/TOOL				
V	DD	Name	DØ	H
1	12	Slot - Small	10	3
	13	Knurled - Small	10.5	12
2	21	Hexagon Female 4 mm	12	3.5
	22	Slot - Medium	12	3.5
	23	Knurled - Small	13	17.5
3	31	Hexagon Female 8 mm	20	6
	32	Slot - Large	20	5



CAMS		
CC	Cam name	VERSION
41	Smooth Spring - Small	1
42	Smooth Spring - Medium	2
52	Serrated Spring - Medium	2
43	Smooth Spring - Large	3
53	Serrated Spring - Large	3

VERSIONS	
V	Product
1	Small Spring Latch
2	Medium Spring Latch
3	Large Spring Latch

PRODUCT CODE



STAINLESS STEEL PRODUCTS

PADLOCKABLE - 'L' HANDLE

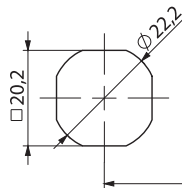
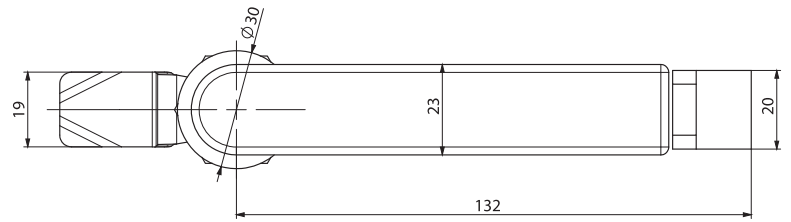
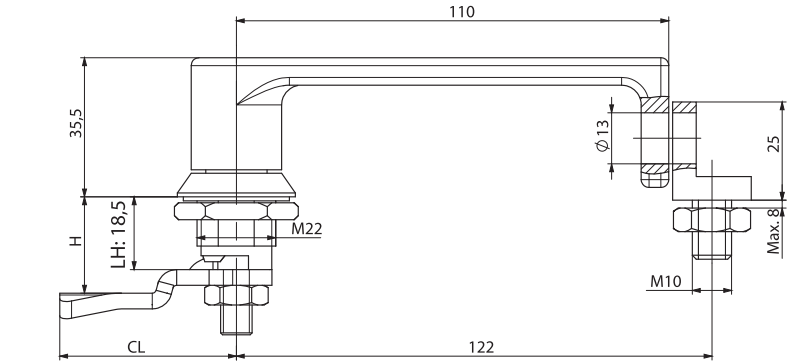
211



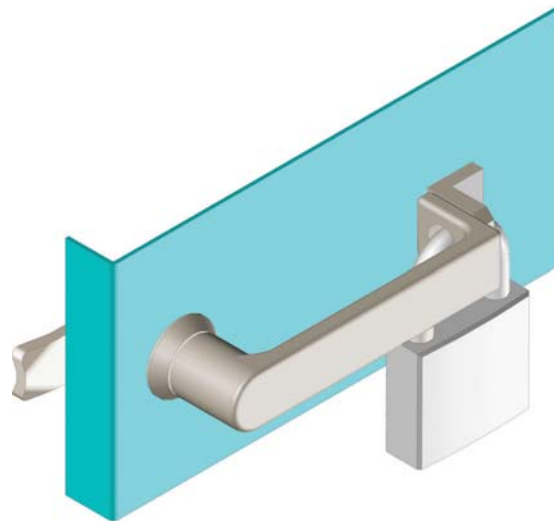
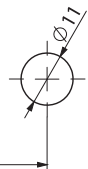
- Padlockable stainless steel latch can be used for outdoor enclosures.
- Suitable for hygienic cabinets and electrical enclosures.

MATERIAL

HOUSING: Stainless Steel (AISI 316)
 HANDLE: Stainless Steel (AISI 316)
 CAM: Stainless Steel (AISI 304)
 NUT: Stainless Steel (AISI 304)



Cut Out

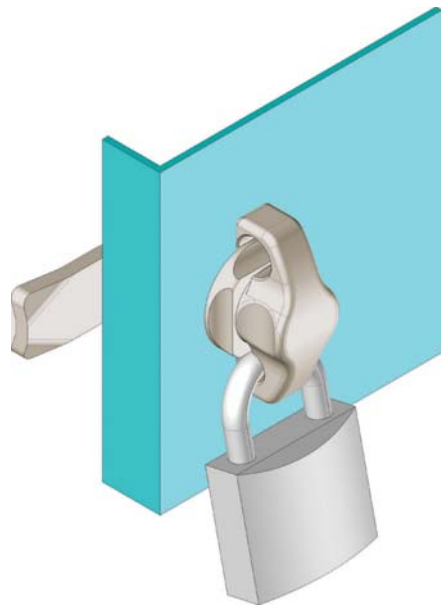
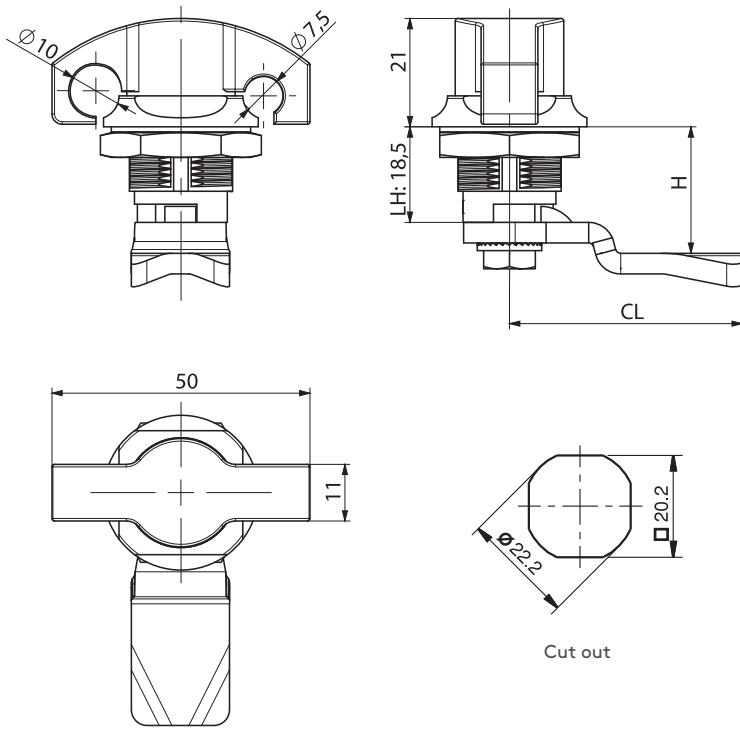


PRODUCT CODE

211 - 4 - 0 - CC

GROUP CODE MATERIAL FINISH CAM

For cams please check page: 174



562

PADLOCKABLE WING KNOB



- Maximum shackle diameter is 9 mm for 10 mm hole
- Maximum shackle diameter is 6 mm for 7.5 mm hole

MATERIAL

HOUSING: Stainless Steel (AISI 316)
 KNOB: Stainless Steel (AISI 316)
 CAM: Stainless Steel (AISI 304)
 NUT: Stainless Steel (AISI 304)

PRODUCT CODE

562 - 4 - 0 - CC
 GROUP CODE MATERIAL FINISH CAM

For cams please check page: 174

STAINLESS STEEL PRODUCTS

QUARTER TURN - T HANDLE

110

RoHS



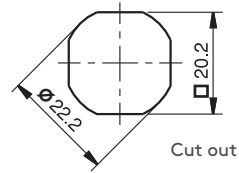
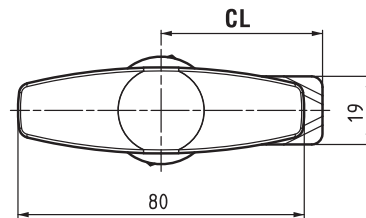
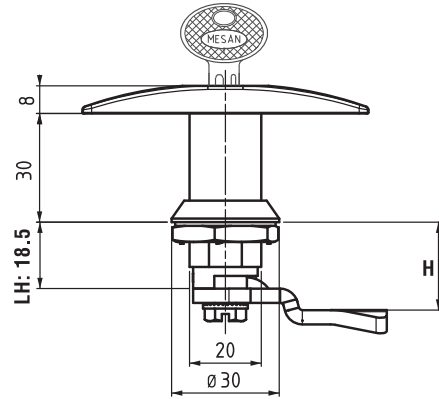
- Quarter-turn operation
- Stainless steel


MATERIAL

HOUSING: Stainless Steel (AISI 316)
 HANDLE: Stainless Steel (AISI 316)
 CAM: Stainless Steel (AISI 304)
 GASKET: Rubber



No cylinder '00'

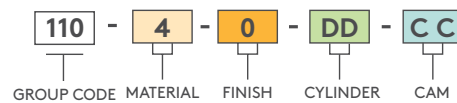


CYLINDER	SPECIFICATIONS	DD
	No cylinder	00
	Keyed alike	01
	Keyed differ	02
	Euro key (5333)	05
	CH751 (Stainless steel dust cap)	07

For other materials please check: page 254

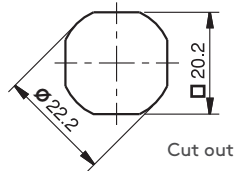
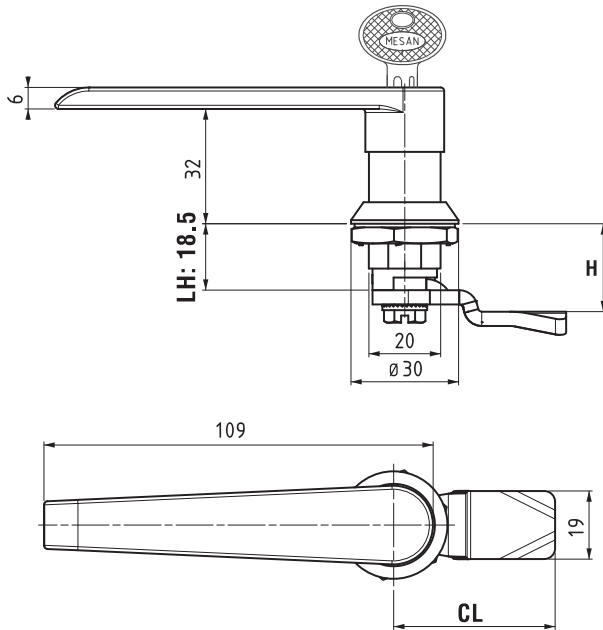
For cams please check page: 174

PRODUCT CODE



111

QUARTER TURN - T HANDLE




- Quarter-turn operation
- Stainless steel

MATERIAL

HOUSING: Stainless Steel (AISI 316)
 HANDLE: Stainless Steel (AISI 316)
 CAM: Stainless Steel (AISI 304)
 GASKET: Rubber

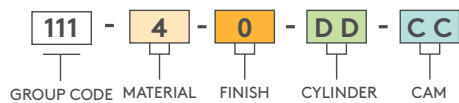


No cylinder '00'

CYLINDER	SPECIFICATIONS	DD
	No cylinder	00
	Keyed alike	01
	Keyed differ	02
	Euro key (5333)	05
	CH751 (Stainless steel dust cap)	07

For other materials please check: page 255

PRODUCT CODE



For cams please check page: 174

STAINLESS STEEL PRODUCTS

QUARTER TURN -WING KNOB

065



- RoHS
- IP 65
NEMA 4
-

- Quarter turn operation
- All in stainless steel

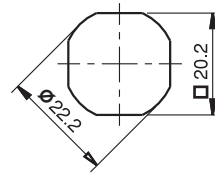
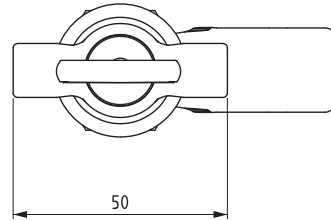
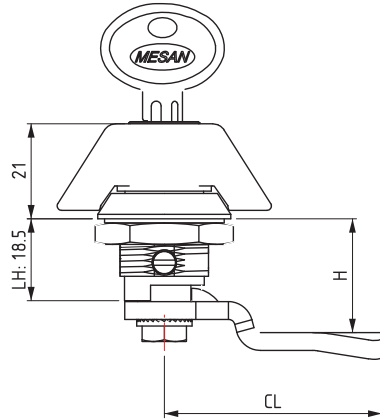
MATERIAL

HOUSING: Stainless Steel (AISI 316)
 KNOB: Stainless Steel (AISI 316)
 CAM: Stainless Steel (AISI 304)
 GASKET: Rubber



No cylinder '00'

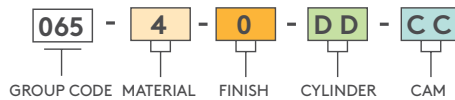
For other materials please check:
page 218



Cut out

CYLINDER	SPECIFICATIONS	DD
	No cylinder	00
	Keyed alike	01
	Keyed differ	02
	Euro key (5333)	05
	CH751 (Stainless steel dust cap)	07

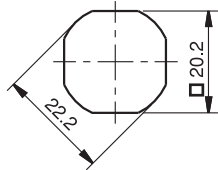
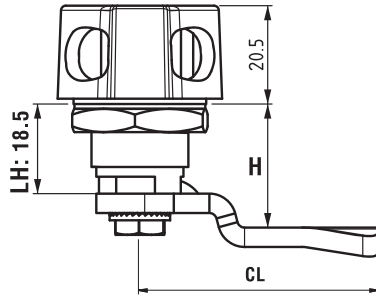
PRODUCT CODE



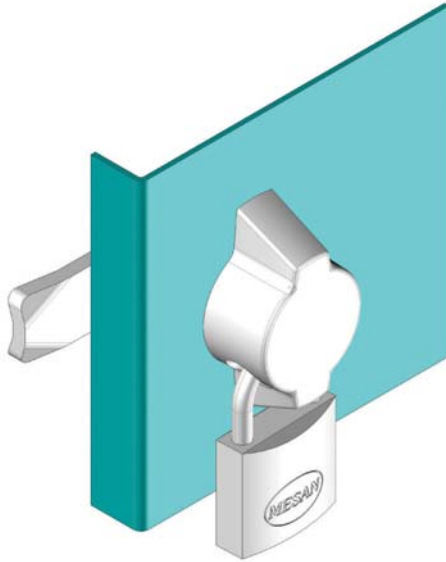
For cams please check page: 174







265

PADLOCKABLE WING KNOB



Cut Out



-  RoHS
-  IP 65
NEMA 4
- 
- 
- 
- 

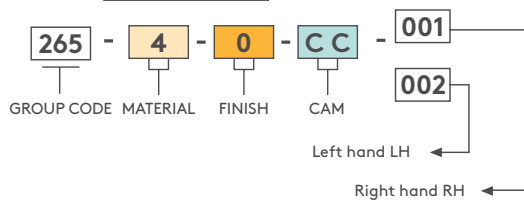


- Padlockable wing knob. Maximum shackle diameter 6 mm.
- All in Stainless steel

MATERIAL

- HOUSING: Stainless Steel (AISI 316)
- KNOB: Stainless Steel (AISI 316)
- CAM: Stainless Steel (AISI 304)
- GASKET: Rubber

PRODUCT CODE



 For cams please check page: 174

STAINLESS STEEL PRODUCTS

QUARTER TURN LATCH

860



RoHS



IP 65
NEMA 4



- Used for cabinets under vibration conditions
- Different driver alternatives are available

APPLICATIONS

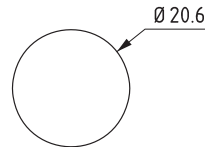
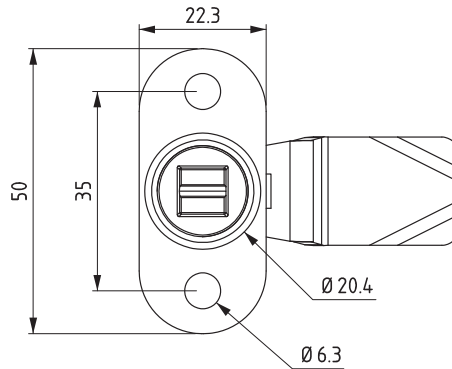
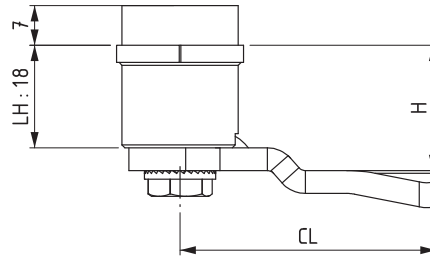
Railway cabinets offroad applications

MATERIAL

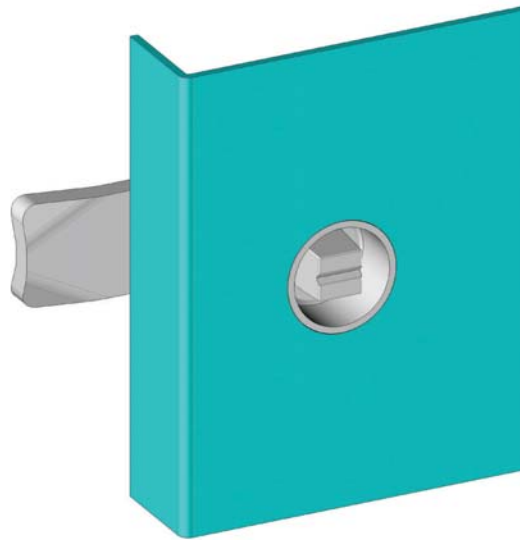
HOUSING: Stainless Steel (AISI 316)

DRIVER: Stainless Steel (AISI 316)

CAM: Stainless Steel (AISI 304)



Cut out



PRODUCT CODE

860 - 4 - 0 - DD - CC
 GROUP CODE MATERIAL FINISH DRIVER/TOOL CAM

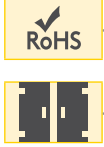
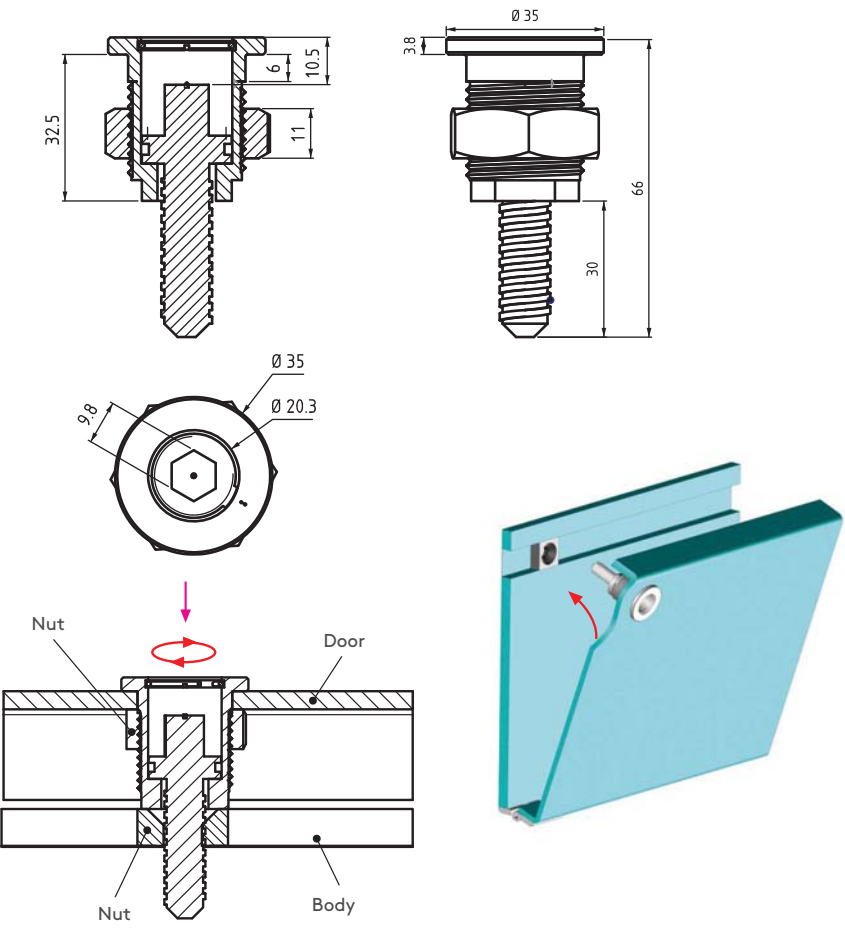
For cams please check page: 174

For keys please check pages: 189 - 191

For drivers please check pages: 466

042

SCREW LATCH



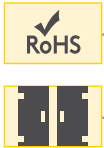
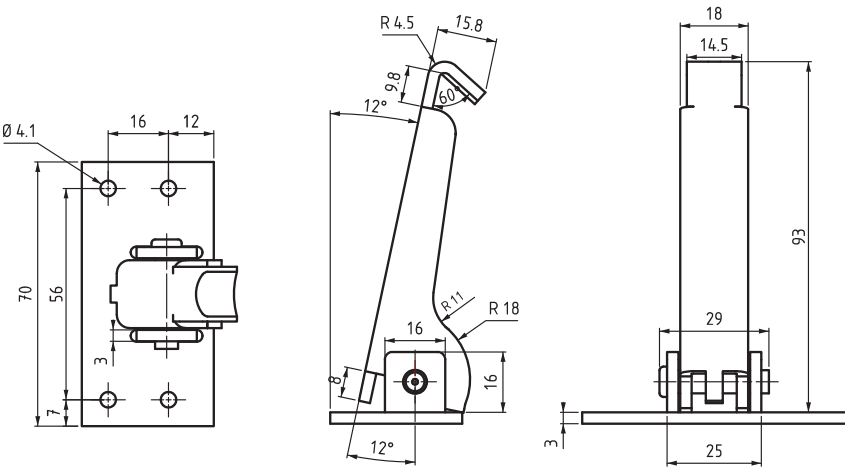
• Used to latch railway cabinets

APPLICATIONS
Railway cabinets

MATERIAL
BODY: Stainless Steel (AISI 316)
DRIVER: Stainless Steel (AISI 316)
NUT: Stainless Steel (AISI 304)

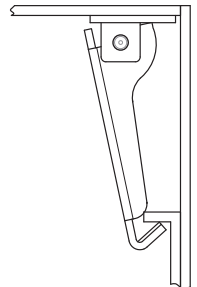
276

SAFETY LATCH

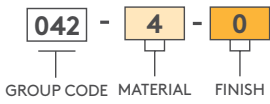


APPLICATIONS
Railway cabinets

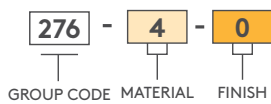
MATERIAL
Stainless Steel



PRODUCT CODE



PRODUCT CODE



STAINLESS STEEL PRODUCTS

CONCEALED HINGE

295

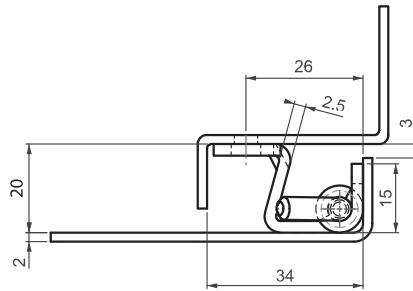
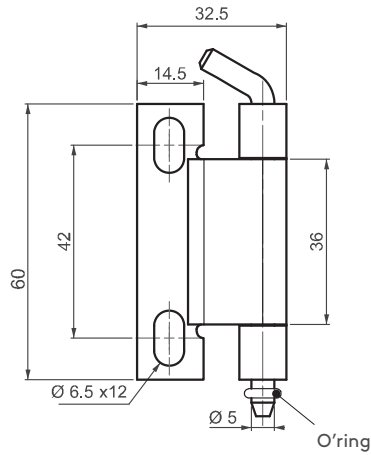


- For doors with a bend of between 20 mm and 24 mm
- Frame part is screwed on, door part is welded on
- Suitable for left- and right-hand application

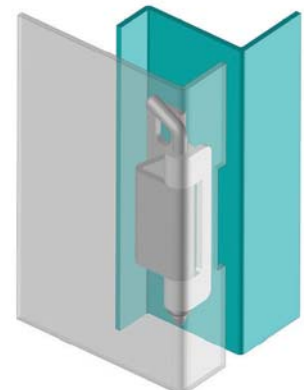
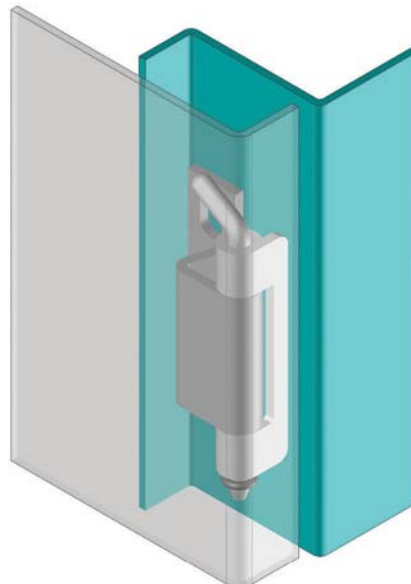
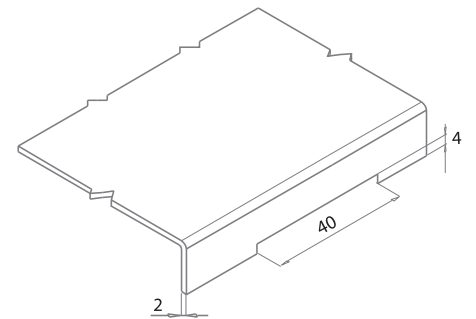
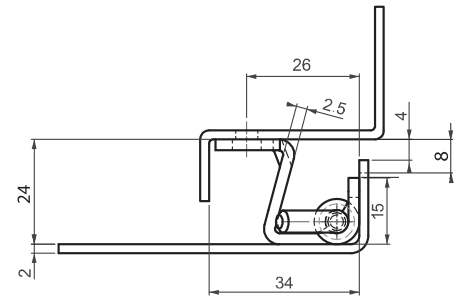
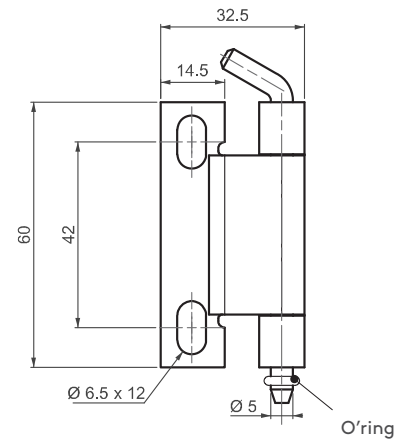
MATERIAL

BODY: Stainless Steel (AISI 304)
PIN: Stainless Steel (AISI 303)

V :1



V :2



Hinge Rotation Angle



Note: Bolts are not supplied

For other materials please check:
page 312

PRODUCT CODE

295 - 4 - 0 - V
GROUP CODE MATERIAL FINISH VERSION

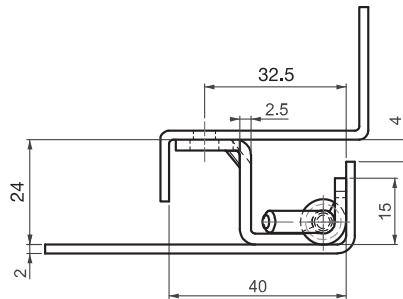
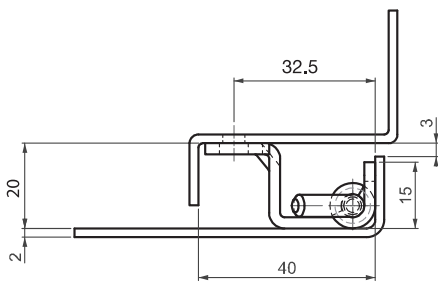
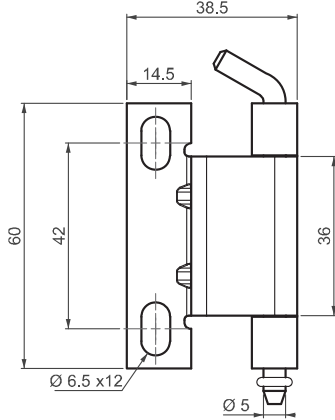
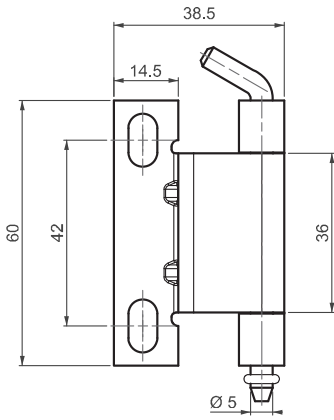


295

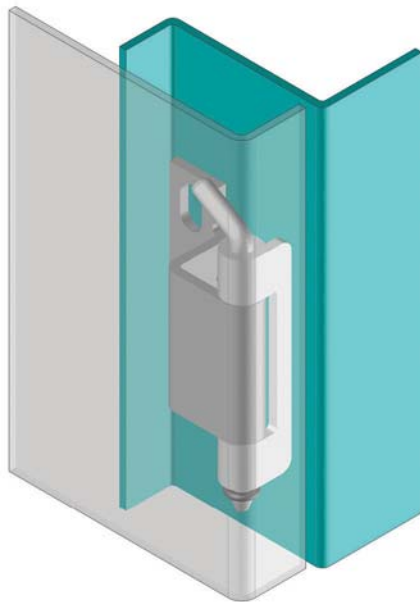
CONCEALED HINGE

V :3

V :4



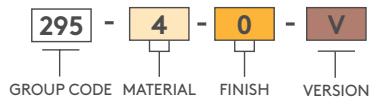
MATERIAL
 BODY: Stainless Steel (AISI 304)
 PIN: Stainless Steel (AISI 303)



Hinge Rotation Angle



PRODUCT CODE



Note: Bolts are not supplied

For other materials please check: page 313

STAINLESS STEEL PRODUCTS

CONCEALED HINGE

395



RoHS

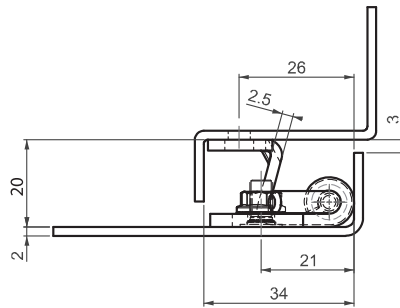
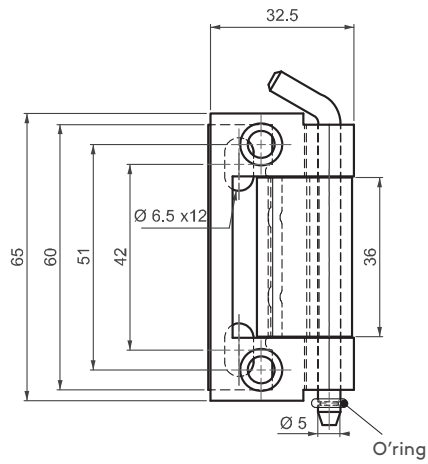


- For doors with a bend of between 20 mm and 24 mm
- Frame part screwed on, door part welded on
- Suitable for left- and right-hand applications

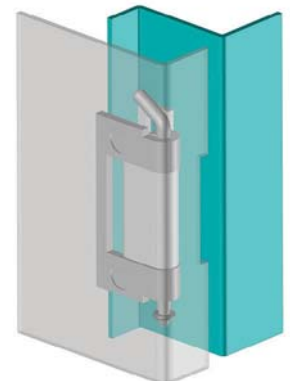
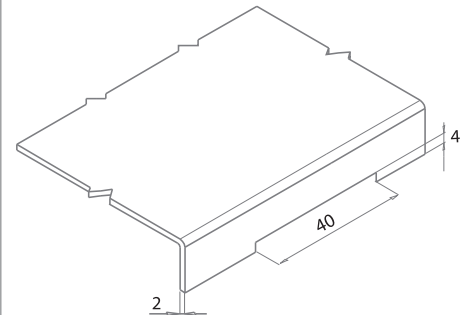
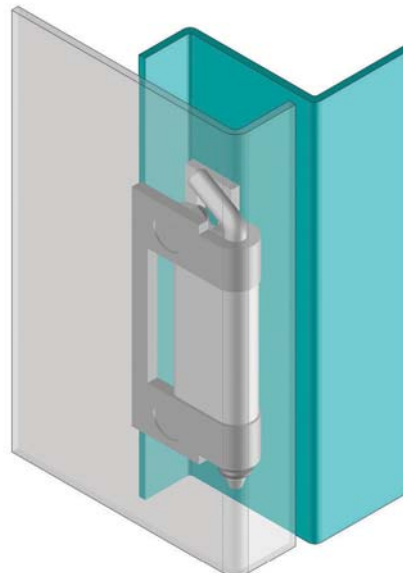
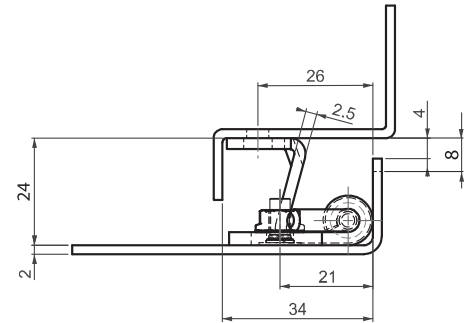
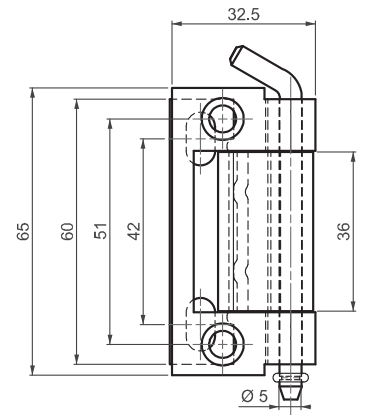
MATERIAL

BODY: Stainless Steel (AISI 304)
PIN: Stainless Steel (AISI 303)

V :1



V :2



Hinge Rotation Angle



⚠ Note: Bolts are not supplied

For other materials please check:
page 314

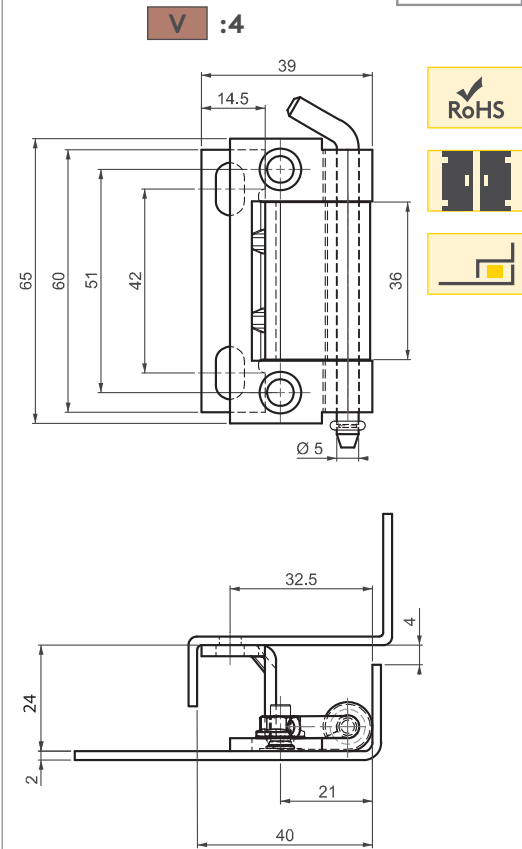
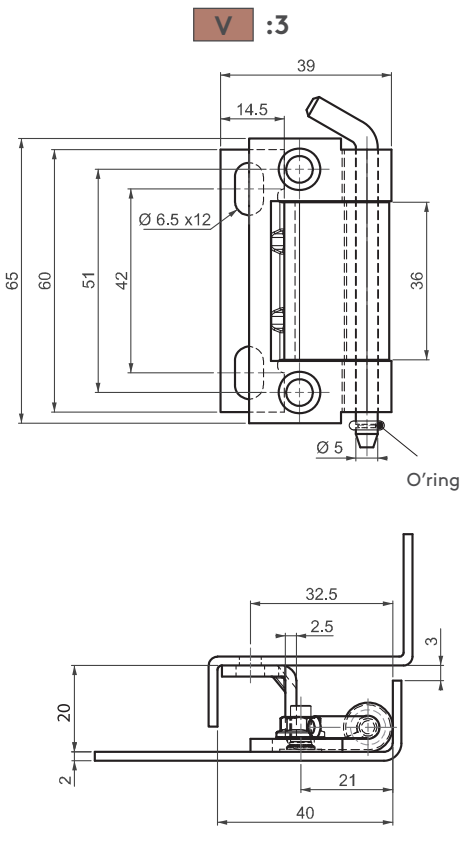
PRODUCT CODE

395 - 4 - 0 - V
GROUP CODE MATERIAL FINISH VERSION



395

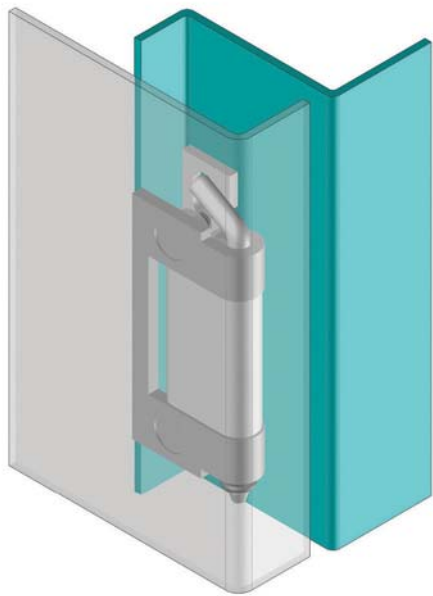
CONCEALED HINGE



RoHS



MATERIAL
 BODY: Stainless Steel (AISI 304)
 PIN: Stainless Steel (AISI 303)



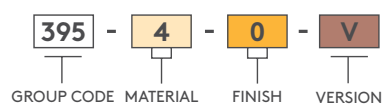
Hinge Rotation Angle



Note: Bolts are not supplied

For other materials please check: page 315

PRODUCT CODE



STAINLESS STEEL PRODUCTS

CONCEALED HINGE

695



- For doors with a bend of 18 mm
- Frame part screwed on, door part either welded on or screwed-on
- Suitable for left- and right-hand application

MATERIAL

BODY: Stainless Steel (AISI 304)
PIN: Stainless Steel (AISI 303)

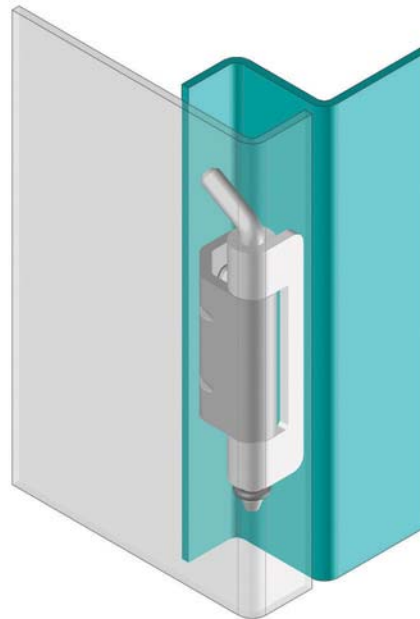
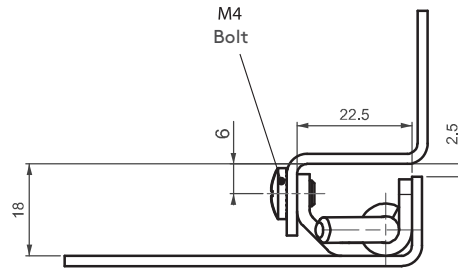
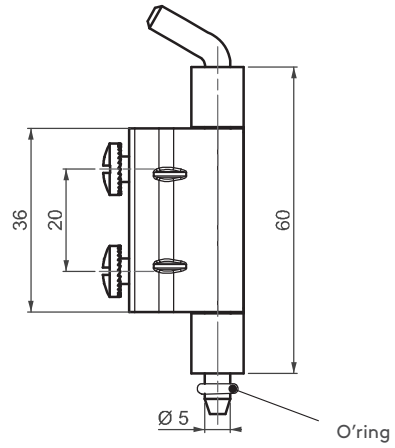
Hinge Rotation Angle



Note: Bolts are supplied

For other materials please check:
page 316

V :1



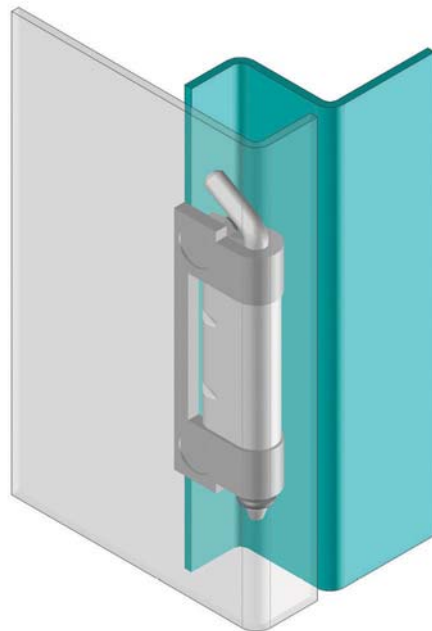
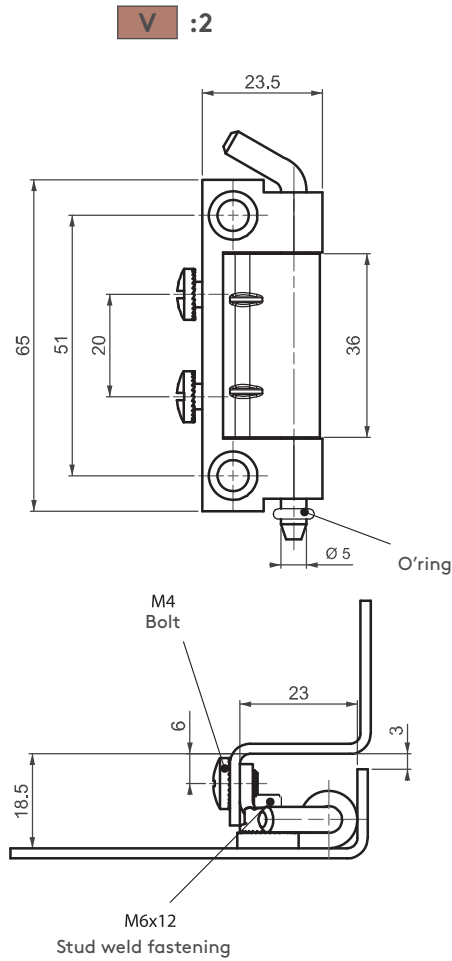
PRODUCT CODE

695 - 4 - 0 - 1
GROUP CODE MATERIAL FINISH VERSION



695

CONCEALED HINGE



- For doors with a bend of 18.5 mm
- Frame part screwed on, door part mounted by nut to welded stud on door
- Suitable for left- and right-hand applications

MATERIAL

BODY: Stainless Steel (AISI 304)
PIN: Stainless Steel (AISI 303)

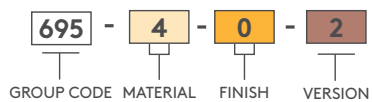
Hinge Rotation Angle



⚠ Note: Bolts are supplied

For other materials please check: page 317

PRODUCT CODE



STAINLESS STEEL PRODUCTS

CONCEALED HINGE

795



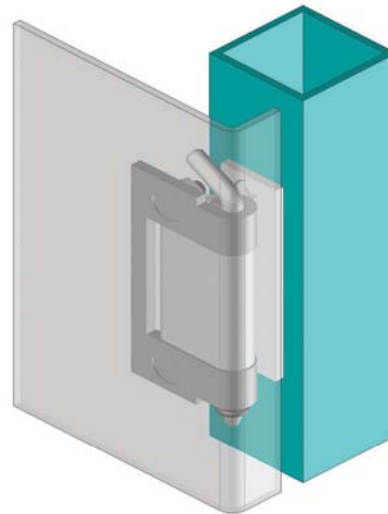
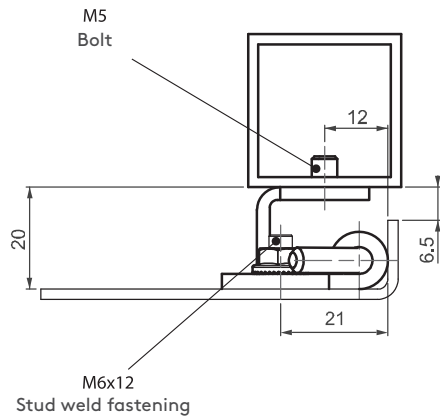
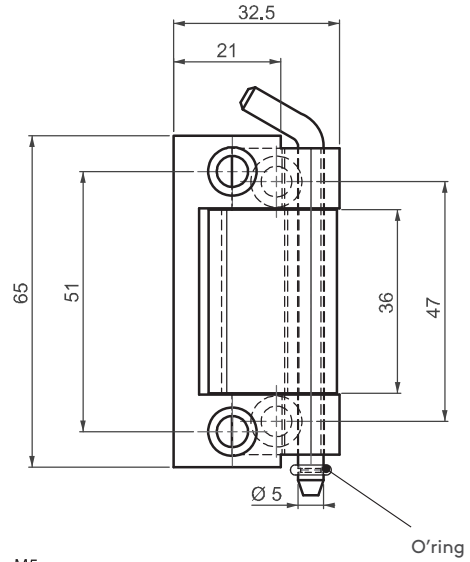
RoHS



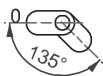
- For doors with a bend of 20 mm to fixed profiles
- Frame part screwed on, door part mounted by nut to welded stud on door
- Suitable for left- and right-hand applications

MATERIAL

BODY: Stainless Steel (AISI 304)
PIN: Stainless Steel (AISI 303)



Hinge Rotation Angle



Note: Bolts are not supplied

For other materials please check:
page 318

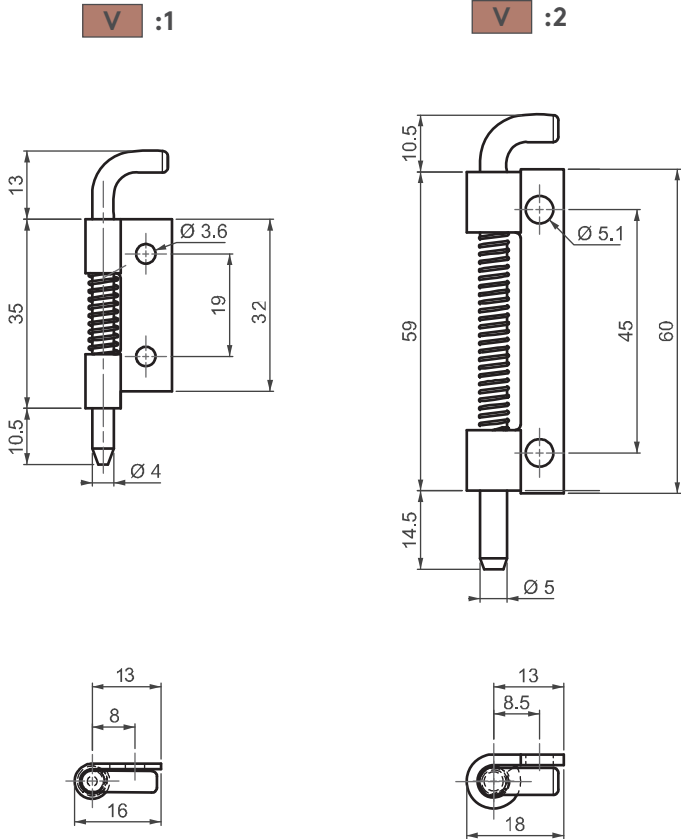
PRODUCT CODE

795 - 4 - 0
GROUP CODE MATERIAL FINISH



289

CONCEALED HINGE



- RoHS
-
-
-

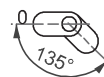


- For internally mounted doors
- Spring-loaded hinge for easy door removal
- Both versions either screwed or welded on
- Suitable for left- and right-hand applications

MATERIAL

BODY: Stainless Steel (AISI 304)
PIN: Stainless Steel (AISI 303)

Hinge Rotation Angle

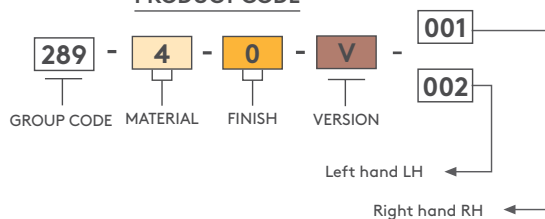


⚠ Note: Bolts are not supplied

⚠ Note: Assembled RH (as drawn)
Assembled LH
(mirror inverted)

For other materials please check:
page 329

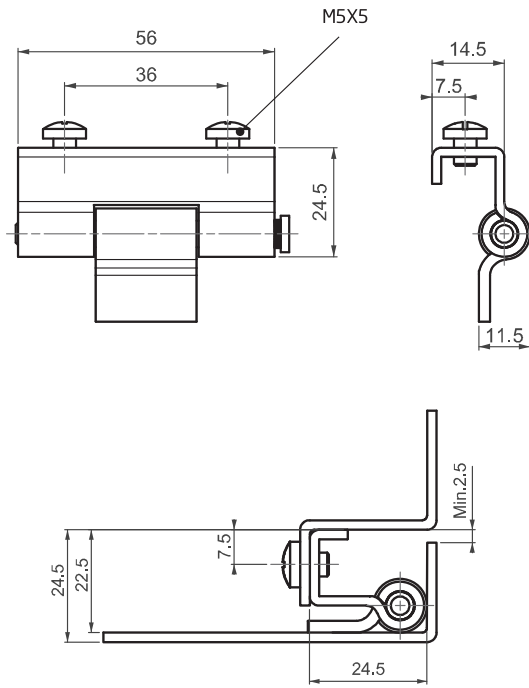
PRODUCT CODE



STAINLESS STEEL PRODUCTS

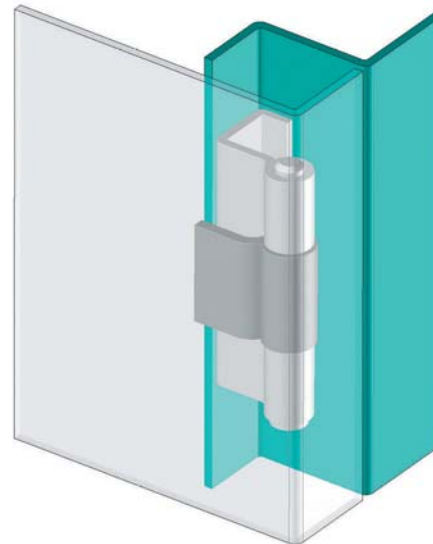
CONCEALED HINGE

095



- For doors with a bend of 22.5 mm or more

MATERIAL
 BODY: Stainless Steel (AISI 304)
 PIN: Stainless Steel (AISI 303)



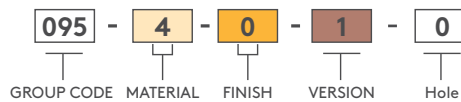
Hinge Rotation Angle

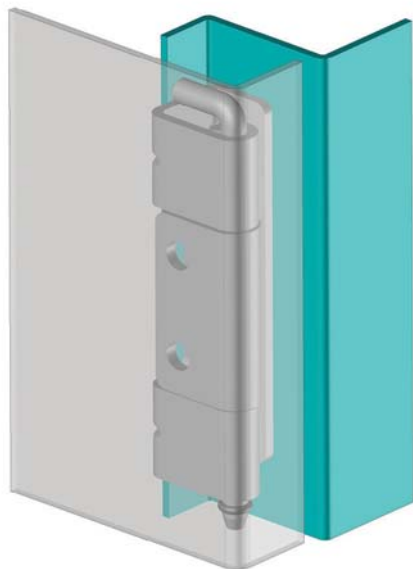
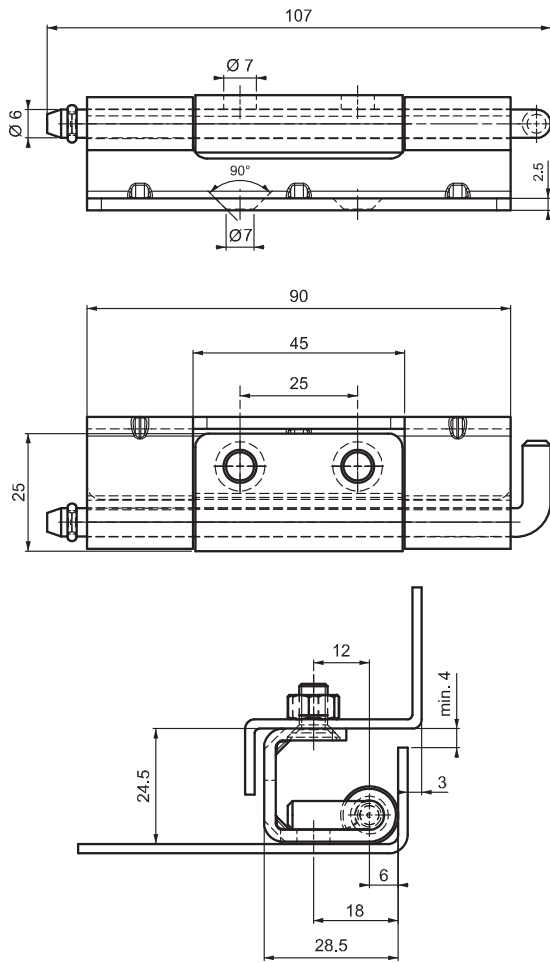


⚠ Note: Bolts are supplied

For other materials please check:
 page 308

PRODUCT CODE





995

CONCEALED HINGE

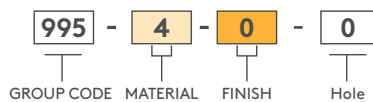


- Side part can be mounted with M5 screws
- Centre part copper plated for easy welding
- Suitable for heavy-duty applications
- Suitable for 25 mm door bend cabinets

MATERIAL

BODY: Stainless Steel (AISI 304)
PIN: Stainless Steel (AISI 303)

PRODUCT CODE



⚠ Note: Bolts are not supplied

For other materials please check: page 322

STAINLESS STEEL PRODUCTS

CONCEALED HINGE

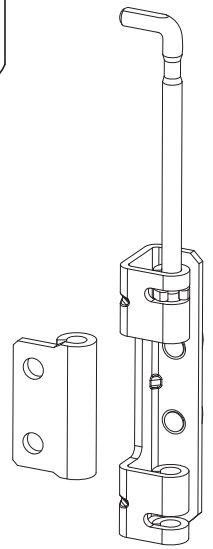
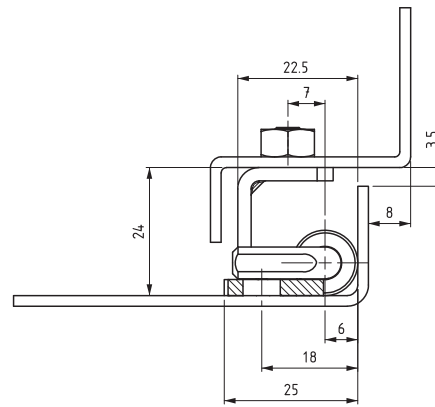
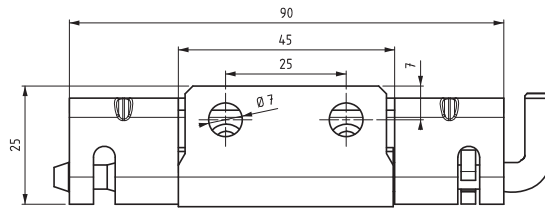
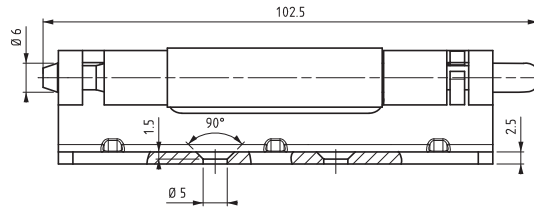
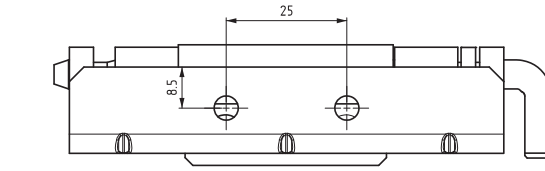
1995



- Remove the door by just removing the pin
- Suitable for heavy-duty applications
- Suitable for 24 mm door bend cabinets

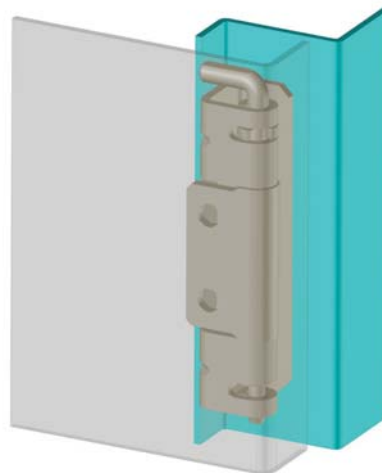
MATERIAL

BODY: Stainless Steel (AISI 304)
PIN: Stainless Steel (AISI 303)

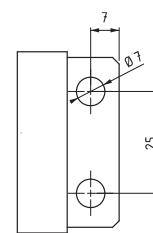


For other materials please check: page 324

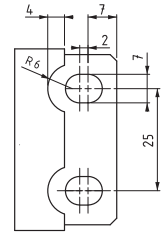
Note: Bolts are not supplied



Middle Parts



MP :1
Circle



MP :2
Slot

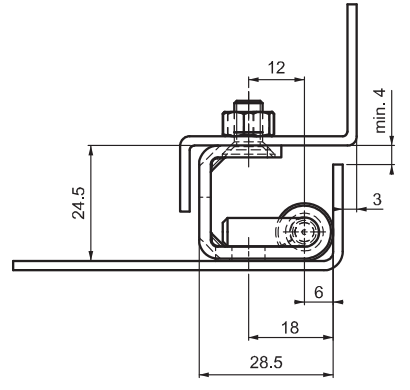
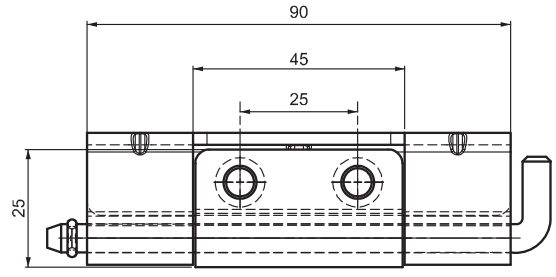
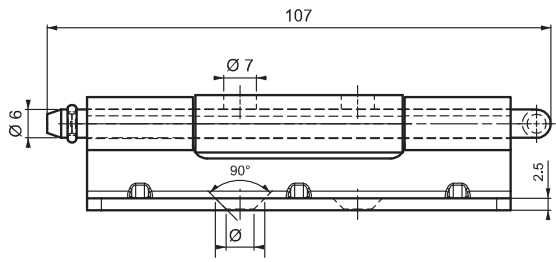
PRODUCT CODE

1995 - 4 - 0 - 4 - MP - 0
GROUP CODE MATERIAL FINISH VERSION MIDDLE PART HOLE PART

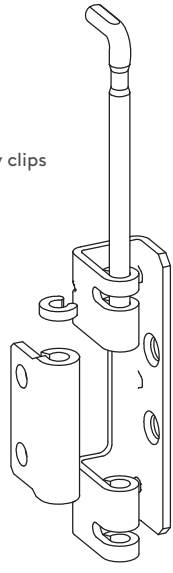


995

CONCEALED HINGE



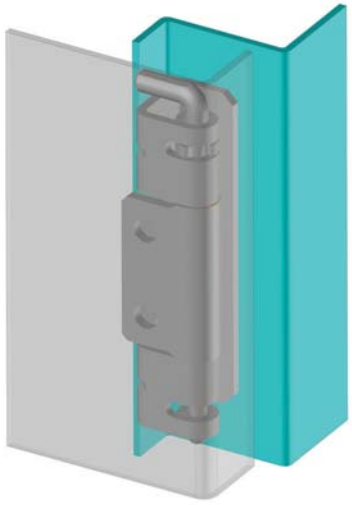
Fixed by clips



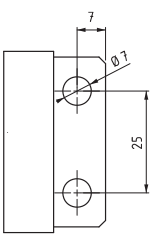
- Remove the door by just removing the pin
- Suitable for heavy-duty applications
- Suitable for 24.5 mm bend door cabinets

MATERIAL

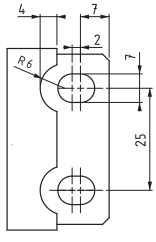
BODY: Stainless Steel (AISI 304)
PIN: Stainless Steel (AISI 303)



Middle Parts



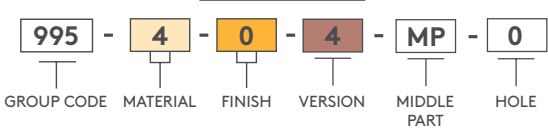
MP :1
Circle



MP :2
Slot

For other materials please check: page 322

PRODUCT CODE



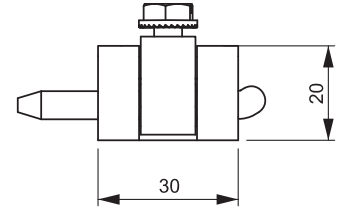
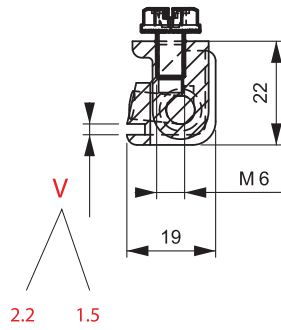
STAINLESS STEEL PRODUCTS

CORNER HINGE

097



RoHS



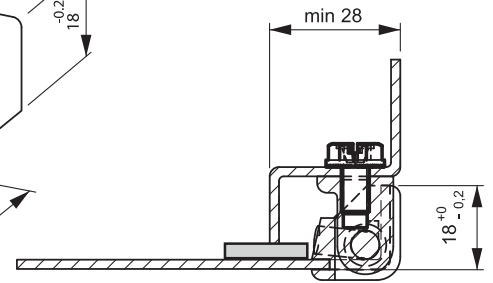
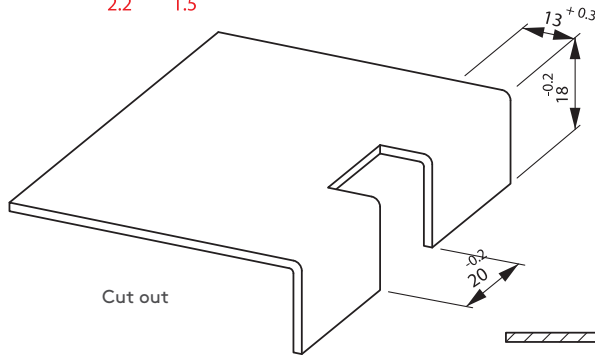
- Corner hinge
- Suitable for steel panels with a thickness of between 1.0 mm and 2.2 mm
- Hinge pin available in three types

APPLICATIONS

Small electric panels

MATERIAL

FIXED, MOVABLE PARTS: Stainless Steel
PIN: Stainless steel or Poliasetal (Delrin)



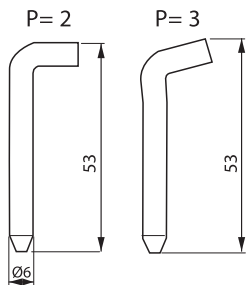
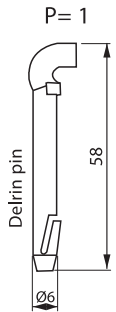
V : 15

For 1.0 mm - 1.2mm door plate thickness
(097 4-0-P-15)

V : 22

For 1.5 mm - 2.2 mm door plate thickness
(097 4-0-P-22)

Hinge Rotation Angle



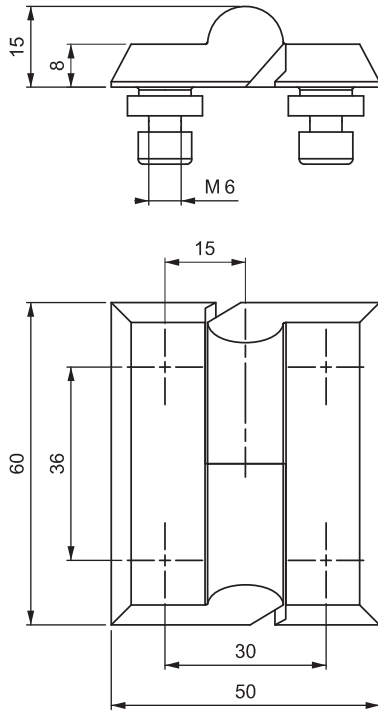
For other materials please check:
page 338

PRODUCT CODE

097 - 4 - 0 - P - V
GROUP CODE MATERIAL FINISH PIN VERSION

3599

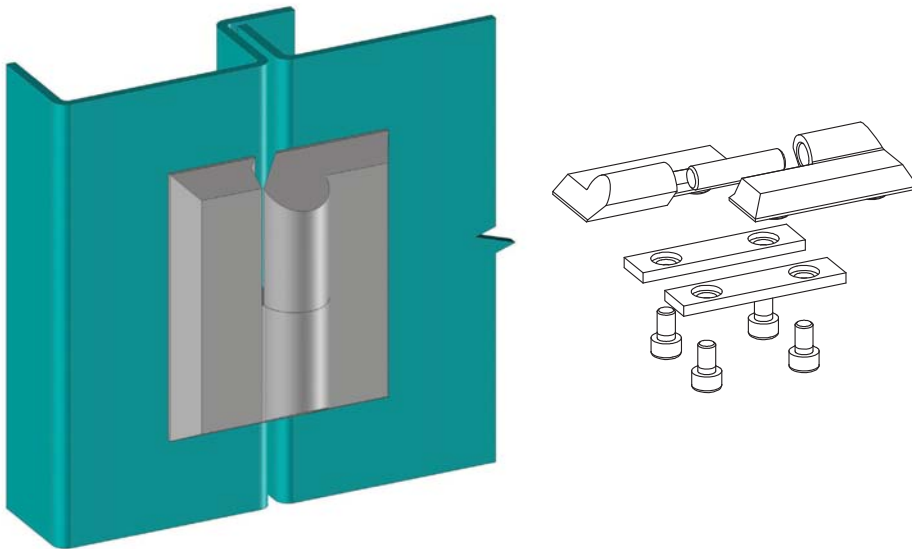
LIFT-OFF HINGE



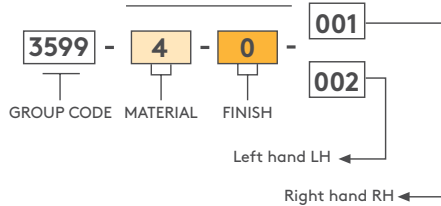
- Concealed mounting screws prevent external access to hinge
- Designed for plain/flush-mounted doors
- Suitable for left- and right-hand applications

MATERIAL

BODY: Stainless Steel (AISI 316)
PIN: Stainless Steel (AISI 303)



PRODUCT CODE



STAINLESS STEEL PRODUCTS

LIFT-OFF HINGE

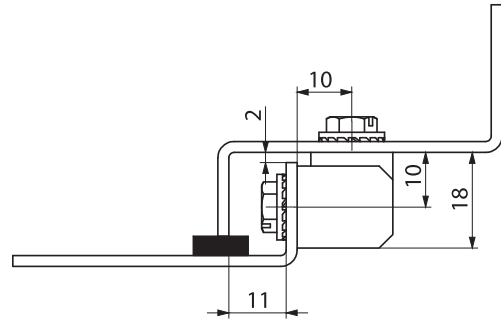
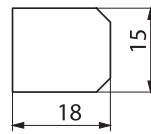
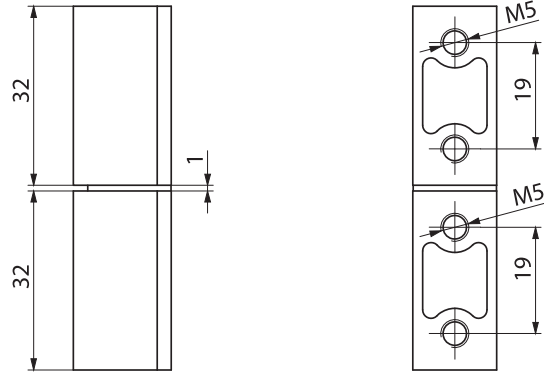
1293



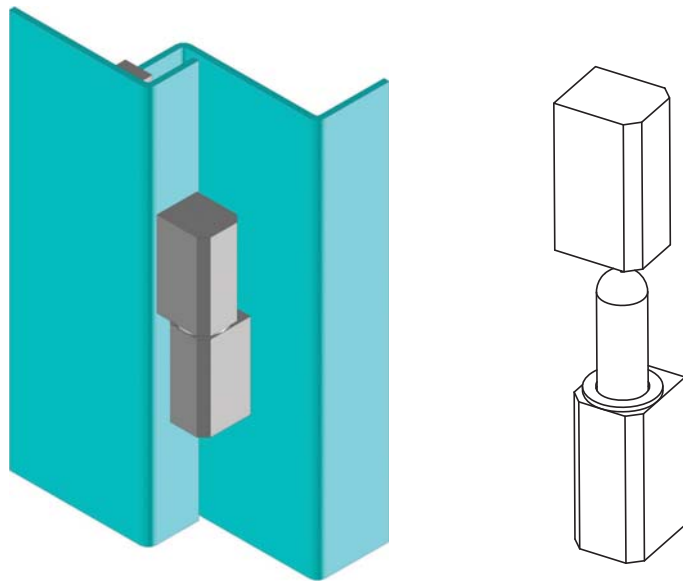
- Lift-off hinge
- Suitable for left- and right-hand applications
- Maximum hinge rotation 180°

MATERIAL

BODY: Stainless Steel (AISI 304)
PIN: Stainless Steel (AISI 303)



Note: Bolts are supplied

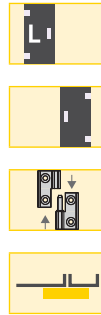
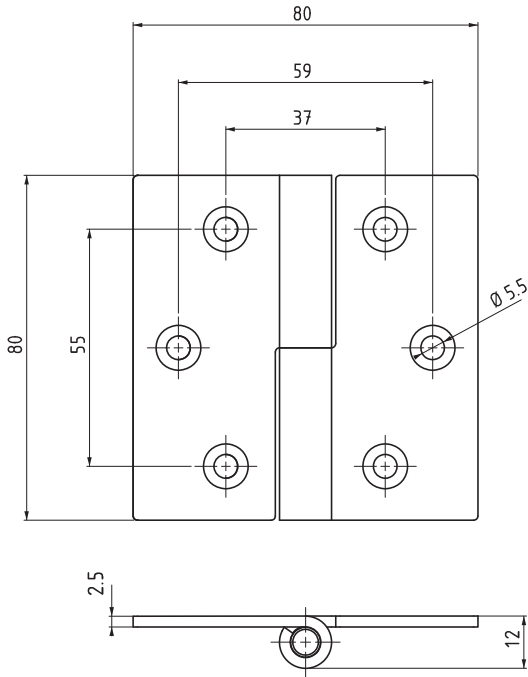


PRODUCT CODE

1293 - 4 - 0
GROUP CODE MATERIAL FINISH

4299

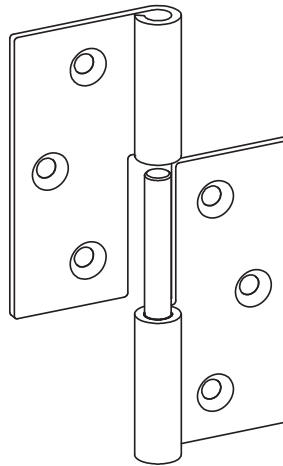
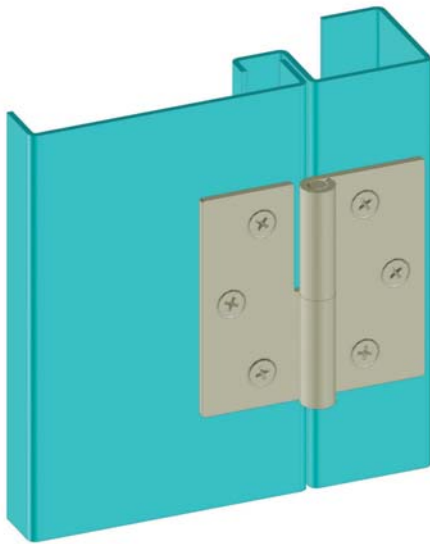
LIFT-OFF HINGE



- Designed for plain/flush-mounted doors
- Suitable for left- and right-hand applications

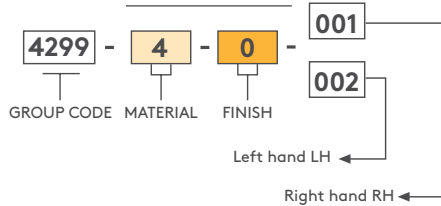
MATERIAL

BODY: Stainless Steel (AISI 304)
PIN: Stainless Steel (AISI 303)



For other materials please check: page 378

PRODUCT CODE



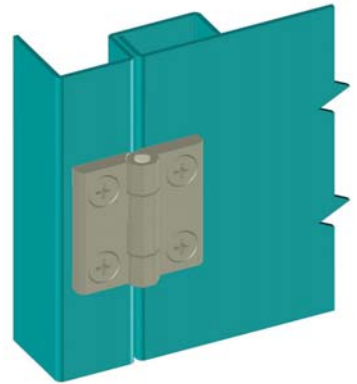
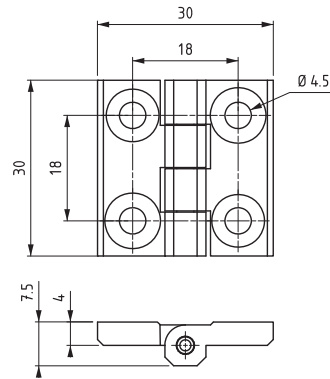
Hinge Rotation Angle



STAINLESS STEEL PRODUCTS

MINI LEAF HINGE

1299



- Generally used for plain/small flush mounted doors.
- Opening angle is 270°

MATERIAL

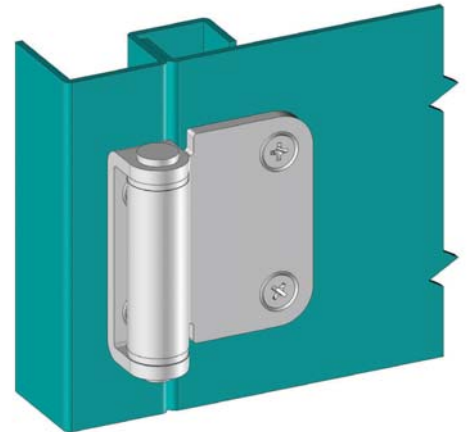
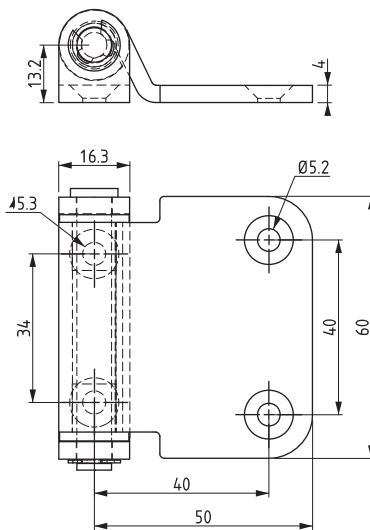
Stainless Steel (AISI 316)

PRODUCT CODE

1299 - 4 - 0
 GROUP CODE MATERIAL FINISH

FLAT HINGE

600



- Designed for plain/flush-mounted doors.

MATERIAL

BODY: Stainless Steel (AISI 316)
 PIN: Stainless Steel (AISI 303)

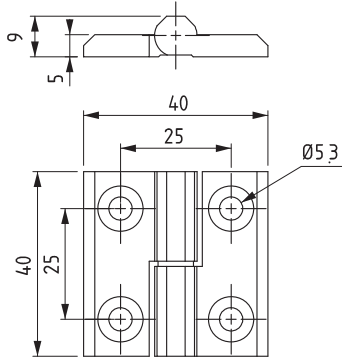
Hinge Rotation Angle



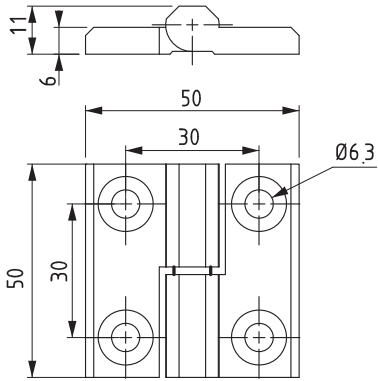
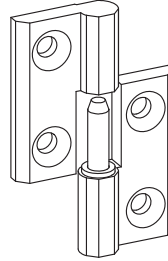
PRODUCT CODE

600 - 4 - 0 - 00 - 3
 GROUP CODE MATERIAL FINISH HEIGHT VERSION

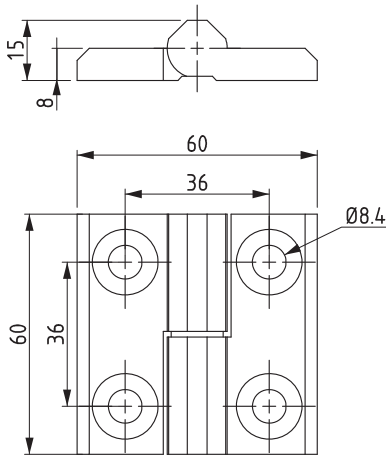
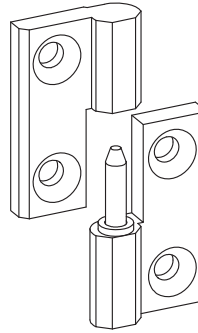
LIFT-OFF HINGE



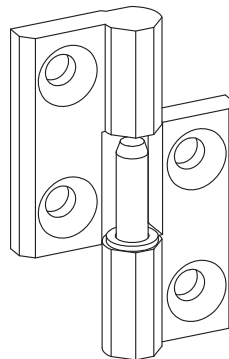
GROUP CODE: 3299



GROUP CODE: 3099



GROUP CODE: 3399



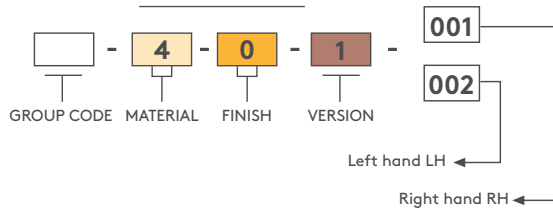
- Lift off hinge
- Suitable for left- and right-hand applications
- Opening angle 270°

MATERIAL
Stainless Steel (AISI 316)

Hinge Rotation Angle



PRODUCT CODE



STAINLESS STEEL PRODUCTS

LEAF HINGE

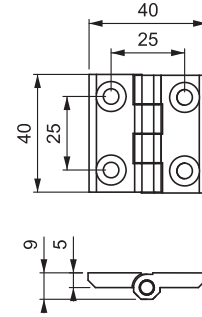
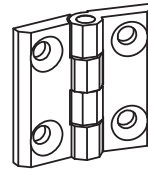
299



RoHS



V : 3



PRODUCT CODE

299 - 4 - 0 - 3
 GROUP CODE MATERIAL FINISH VERSION

- Generally used for plain/flush mounted doors
- Maximum hinge rotation 270°

MATERIAL
 Stainless Steel (AISI 316)

LEAF HINGE

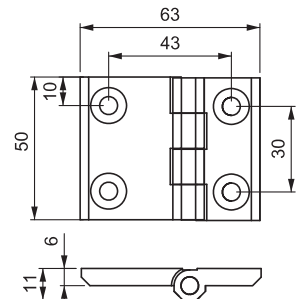
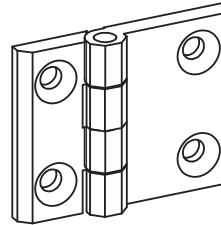
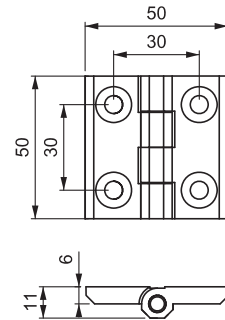
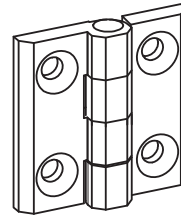
099



RoHS



V : 7



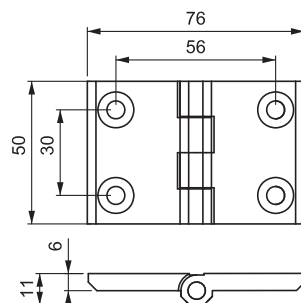
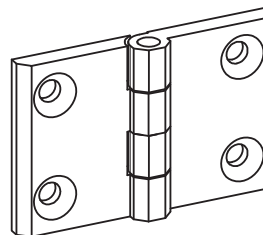
- Generally used for plain/flush mounted doors
- Maximum hinge rotation 270°

MATERIAL
 Stainless Steel (AISI 316)

Hinge Rotation Angle



V : 10



PRODUCT CODE

099 - 4 - 0 - V
 GROUP CODE MATERIAL FINISH VERSION

For other materials please check:
 page 360



399

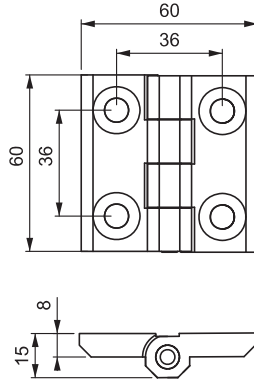
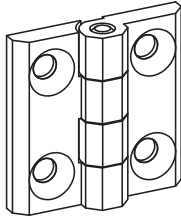
LEAF HINGE



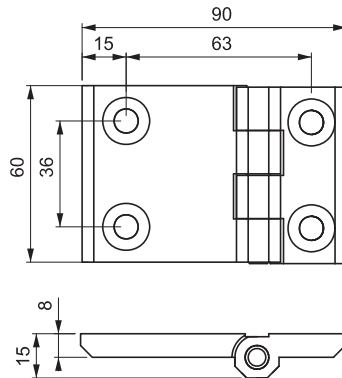
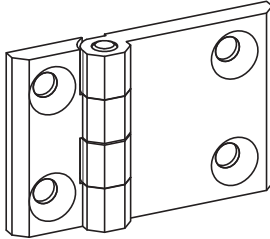
- Generally used for plain / flush-mounted, isolated heavy doors
- Available in three sizes, hole fixing:
 - 60 mm x 60 mm
 - 60 mm x 90 mm
 - 60 mm x 120 mm
- Maximum hinge rotation 270°

MATERIAL
Stainless Steel (AISI 316)

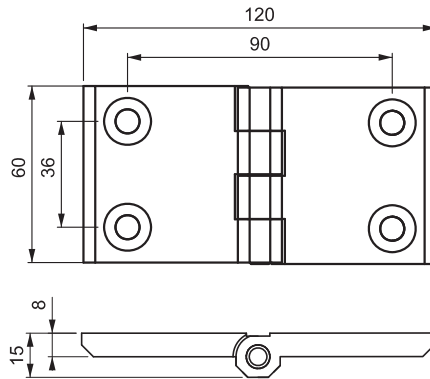
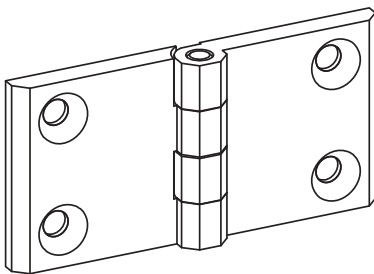
V : 4



V : 5



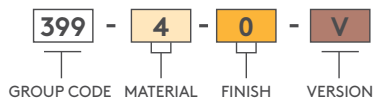
V : 6



Hinge Rotation Angle



PRODUCT CODE



For other materials please check: page 365

STAINLESS STEEL PRODUCTS

LEAF HINGE

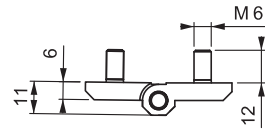
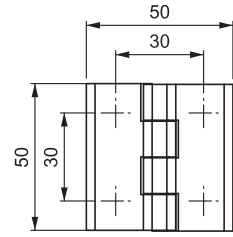
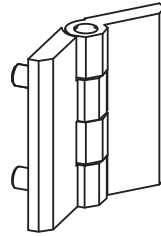
099



RoHS



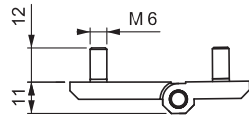
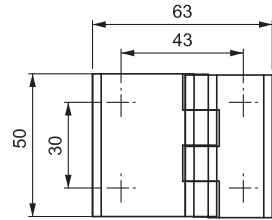
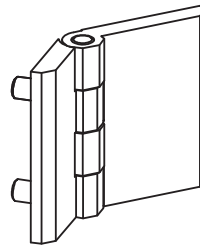
V :1



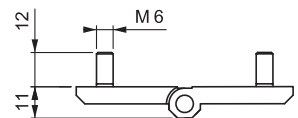
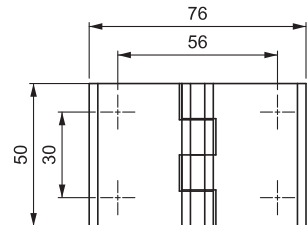
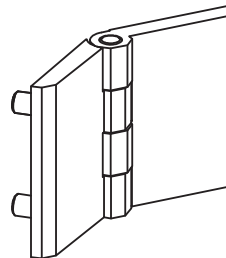
- Generally used for plain/flush mounted doors
- Maximum hinge rotation 270°
- Stud versions fitted with M6 x 12 mm threaded stud

MATERIAL
Stainless Steel (AISI 316)

V :8



V :9



Hinge Rotation Angle



For other materials please check:
page 362

PRODUCT CODE

099 - 4 - 0 - V
GROUP CODE MATERIAL FINISH VERSION

399

LEAF HINGE



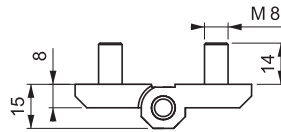
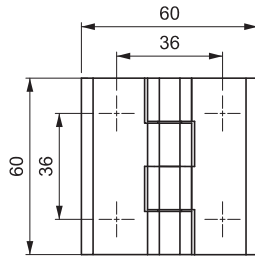
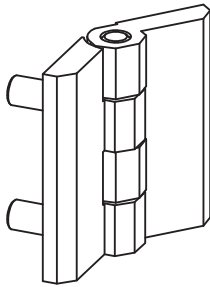
- Generally used for plain/flush-mounted, isolated heavy doors
- Available in three sizes, stud fixing:
 - 60 mm x 60 mm
 - 60 mm x 90 mm
 - 60 mm x 120 mm
- Stud versions fitted with M8 x 14 mm threaded stud
- Maximum hinge rotation 270°

MATERIAL
Stainless Steel (AISI 316)

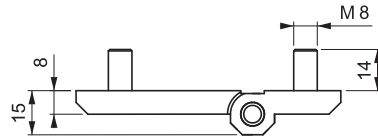
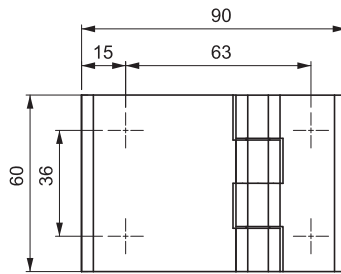
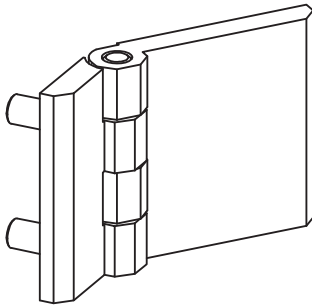
Hinge Rotation Angle



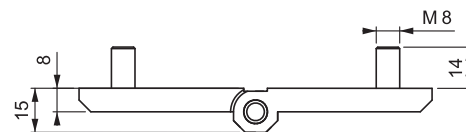
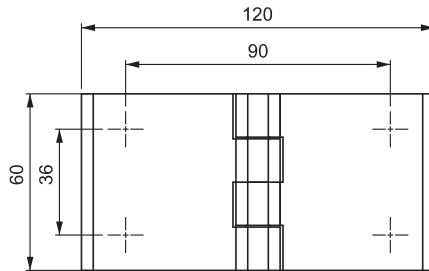
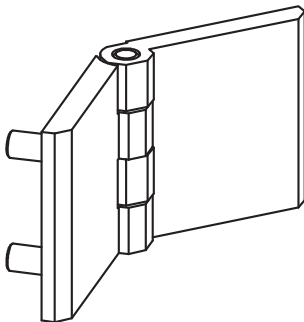
V :1



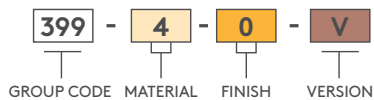
V :2



V :3



PRODUCT CODE

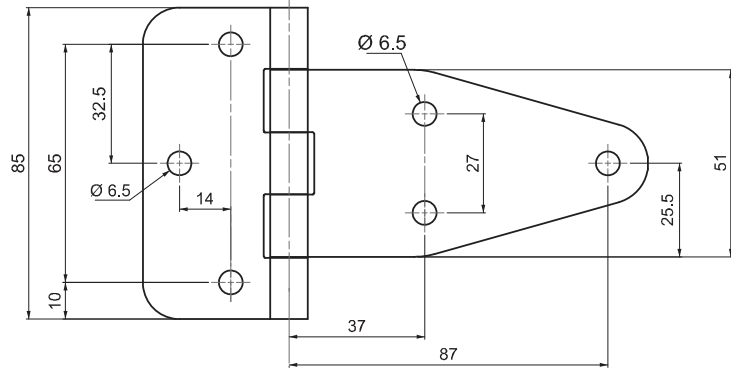
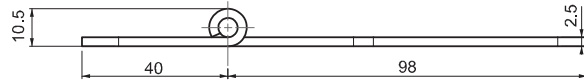


For other materials please check: page 365

STAINLESS STEEL PRODUCTS

LEAF HINGE

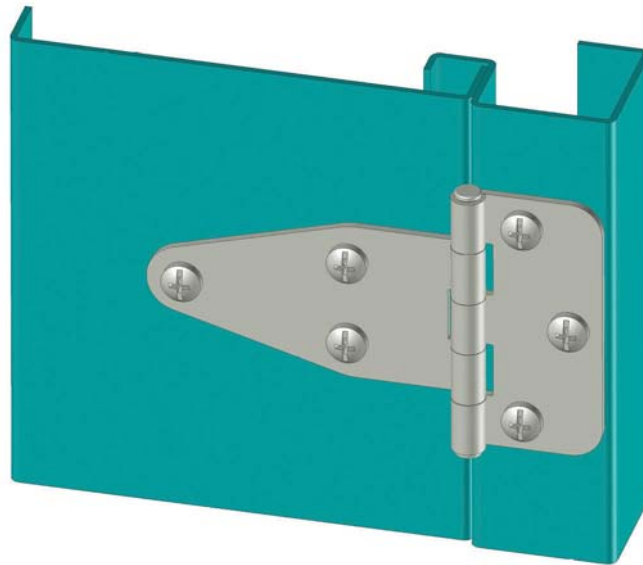
599



- Generally used for plain/flush-mounted, isolated, heavy doors
- Both parts attached by screws or nuts and bolts
- Hinge Rotation angle 180°

MATERIAL

BODY: Stainless Steel (AISI 304)
PIN: Stainless Steel (AISI 303)



Hinge Rotation Angle



For other materials please check:
page 373

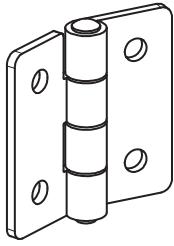
PRODUCT CODE

599 - 4 - 0

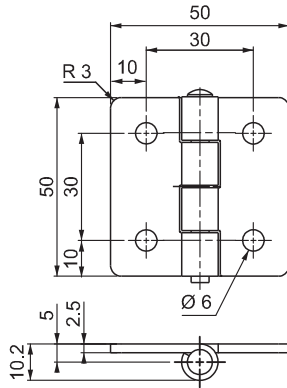
GROUP CODE MATERIAL FINISH

799

LEAF HINGE



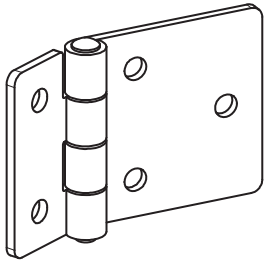
V : 1



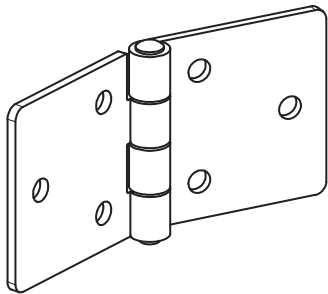
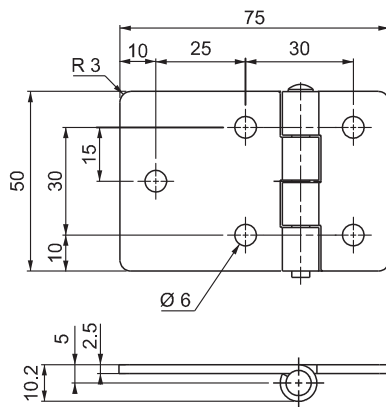
- Generally used for plain/flush-mounted, isolated, heavy doors

MATERIAL

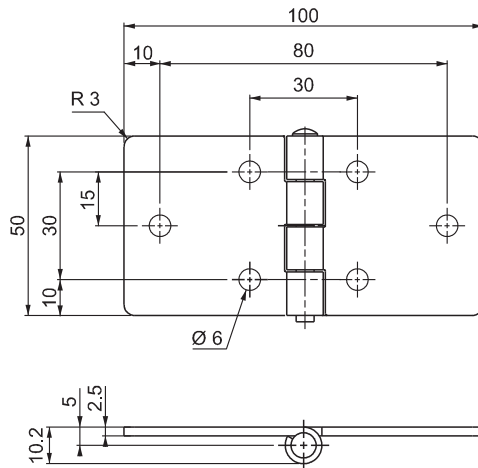
BODY: Stainless Steel (AISI 304)
PIN: Stainless Steel (AISI 303)



V : 2



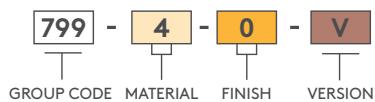
V : 3



Hinge Rotation Angle



PRODUCT CODE



For other materials please check: page 376

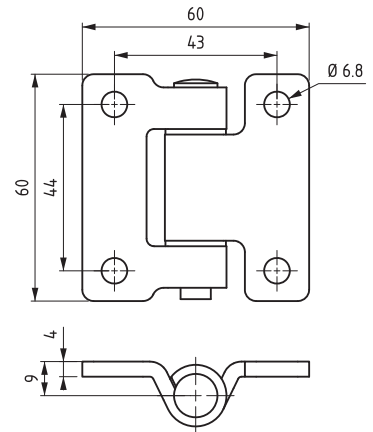
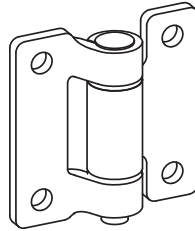
STAINLESS STEEL PRODUCTS

LEAF HINGE

1599



V :1

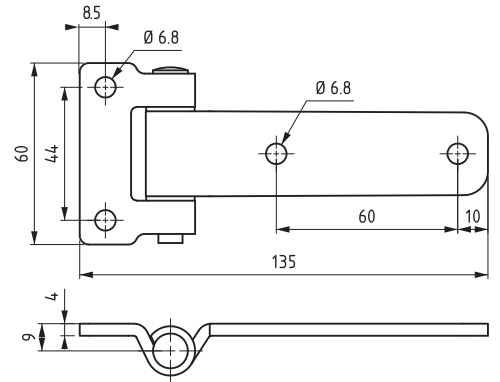
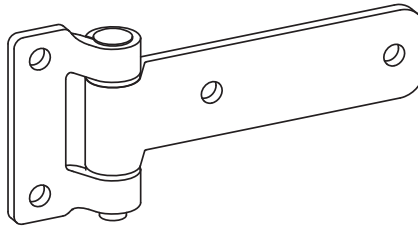


- Generally, used for plain/flush mounted, isolated, heavy doors.
- Both parts are attached by screws or nuts and bolts
- Hinge Rotation angle is 180°

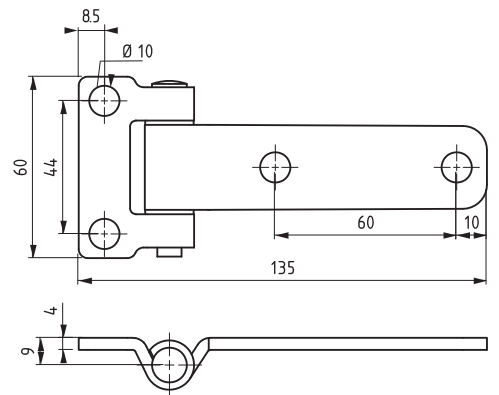
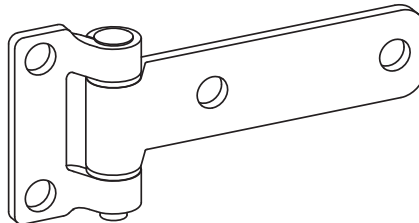
MATERIAL

BODY: Stainless steel (AISI 304)
PIN: Stainless steel (AISI 303)

V :2



V :3



For other materials please check: page 374

Hinge Rotation Angle



Note: Bolts are not supplied

PRODUCT CODE

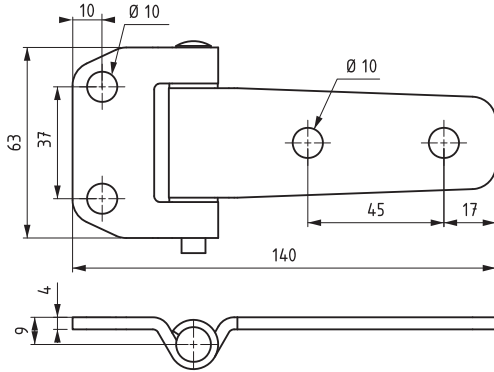
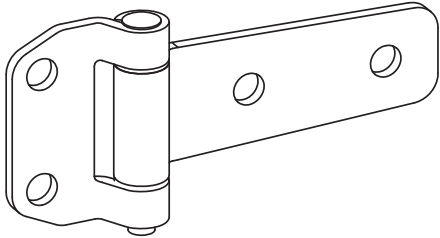
1599 - 4 - 0 - V

GROUP CODE MATERIAL FINISH VERSION

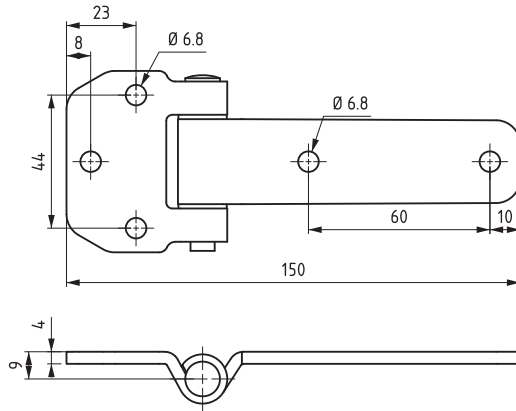
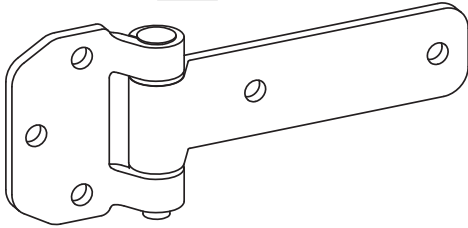
1599

LEAF HINGE

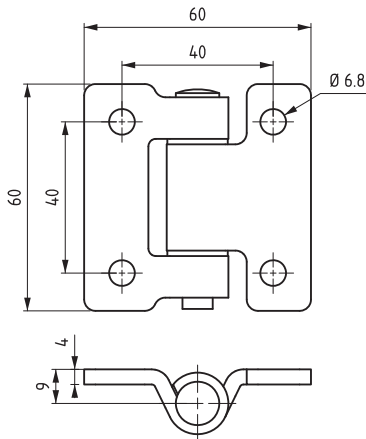
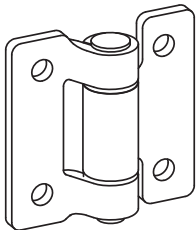
V : 4



V : 5



V : 6



- Generally, used for plain/ flush mounted, isolated, heavy doors.
- Both parts are attached by screws or nuts and bolts
- Hinge Rotation angle is 180°

MATERIAL

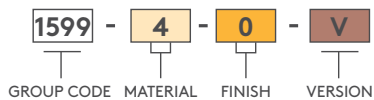
BODY: Stainless steel (AISI 304)
PIN: Stainless steel (AISI 303)

For other materials please check: page 375

Hinge Rotation Angle



PRODUCT CODE



Note: Bolts are not supplied

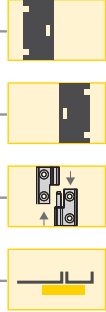
STAINLESS STEEL PRODUCTS

LEAF HINGE (Lift-off)

899



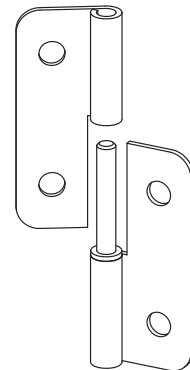
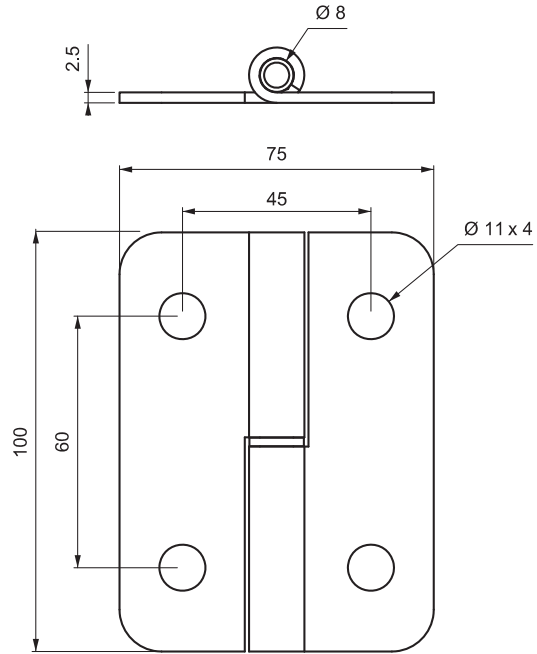
RoHS



- Heavy-duty, lift-off hinge, corrosion resistant
- Suitable for left- and right-hand applications
- Opening angle 180°

MATERIAL

BODY: Stainless Steel (AISI 304)
PIN: Stainless Steel (AISI 303)



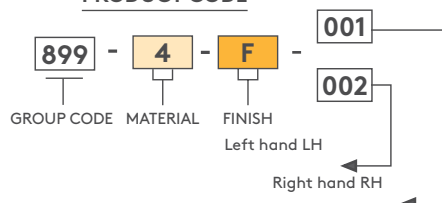
For other materials please check: page 371

Hinge Rotation Angle

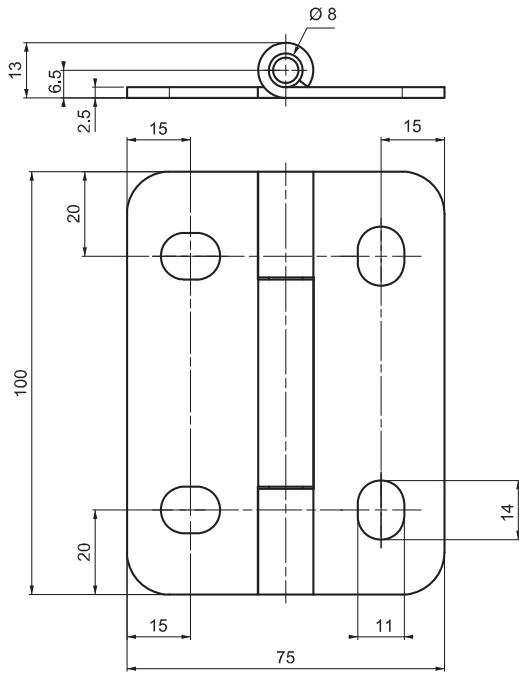


Note: Bolts are not supplied

PRODUCT CODE



FINISH	F
No finish	0
Black coated	2



999

LEAF HINGE

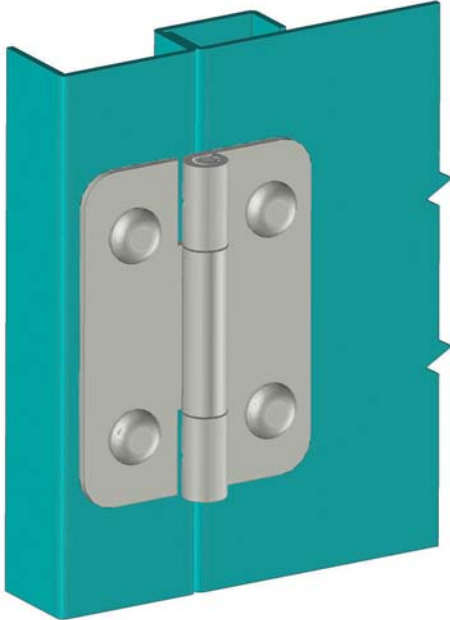
- RoHS
-
-



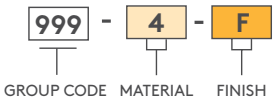
- Generally used for plain/flush-mounted doors
- Suitable for outdoor applications
- Opening angle 270°
- Body made of stainless steel

MATERIAL

BODY: Stainless Steel (AISI 304)
PIN: Stainless Steel (AISI 303)



PRODUCT CODE



FINISH	F
No finish	0
Black coated	2

Hinge Rotation Angle



Note: Bolts are not supplied

STAINLESS STEEL PRODUCTS

LEAF HINGE

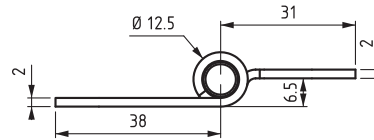
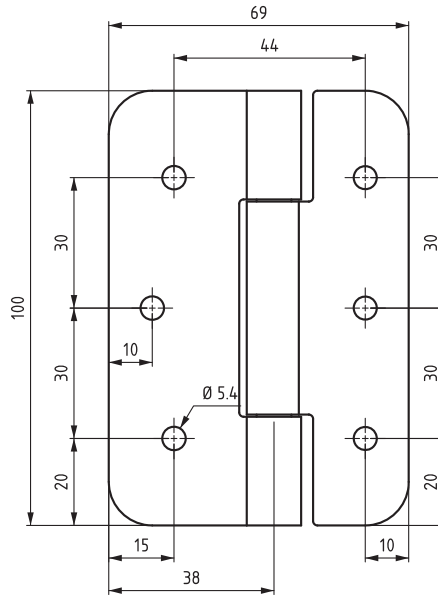
2999



- Generally used for plain/flush-mounted, isolated, heavy doors

MATERIAL

BODY: Stainless Steel (AISI 304)
PIN: Stainless Steel (AISI 303)



Hinge Rotation Angle

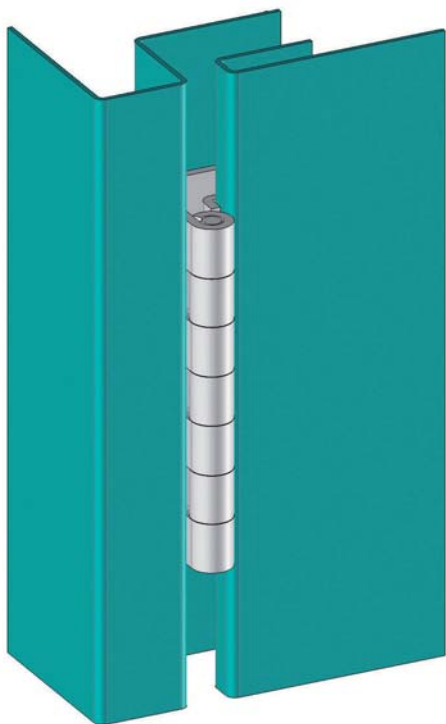
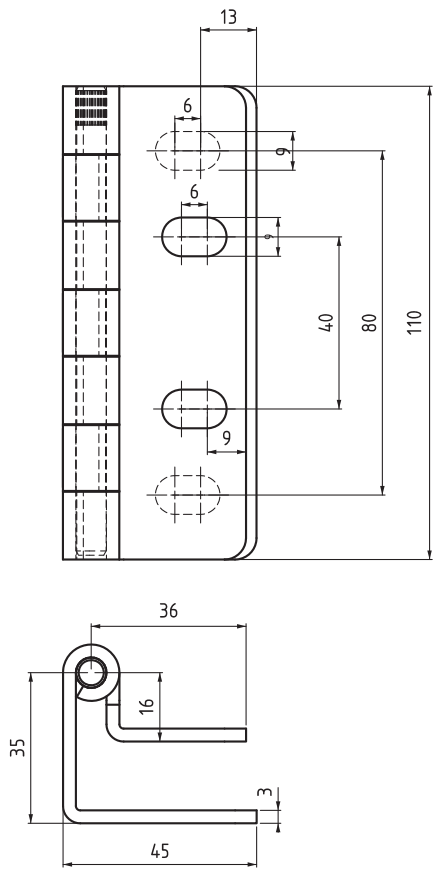


! Note: Bolts are not supplied

PRODUCT CODE

2999 - 4 - 0

GROUP CODE MATERIAL FINISH



2890

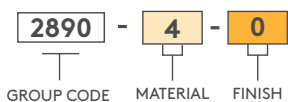
CONCEALED HINGE



- Suitable for outdoor applications
- Heavy-duty hinge

MATERIAL
 BODY: Stainless Steel (AISI 304)
 PIN: Stainless Steel (AISI 303)

PRODUCT CODE



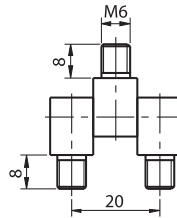
STAINLESS STEEL PRODUCTS

SIDE HINGE (10 mm)

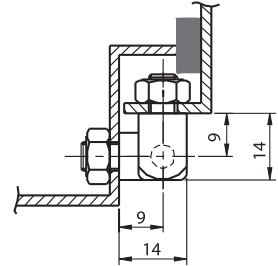
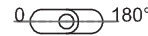
090



✓
RoHS



Hinge Rotation Angle



- Side mounted hinge
- Three 10 mm Stainless steel parts supplied separately
- For different dimensions contact Essentra

MATERIAL

Stainless Steel (AISI 303/304)

PRODUCT CODE

090 - 4 - 0
GROUP CODE MATERIAL FINISH

SIDE HINGE (12 mm)

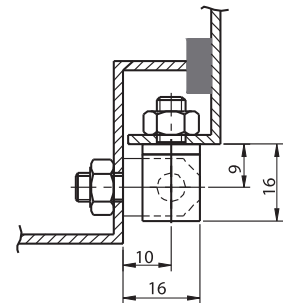
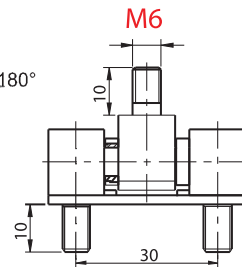
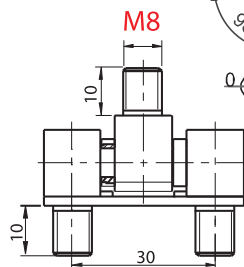
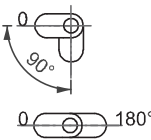
092



✓
RoHS



Hinge Rotation Angle



- Side mounted hinge
- 12 mm parts and stainless steel bearings
- Parts are assembled by fixing plate
- For different dimensions, please contact Essentra
- 90° and 180° angle versions are available

MATERIAL

Stainless Steel (AISI 303/304)

M8 → 092 M-F- 8-90°
092 M-F -8-180°

M6 → 092 M-F- 6-90°
092 M-F- 6-180°

PRODUCT CODE

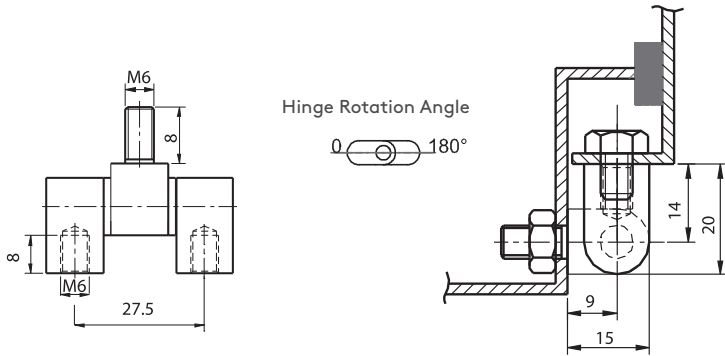
092 - 4 - 0
GROUP CODE MATERIAL FINISH

For other materials please check: page 254

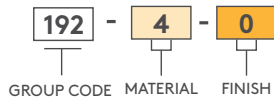


192

SIDE HINGE (12 mm)



PRODUCT CODE

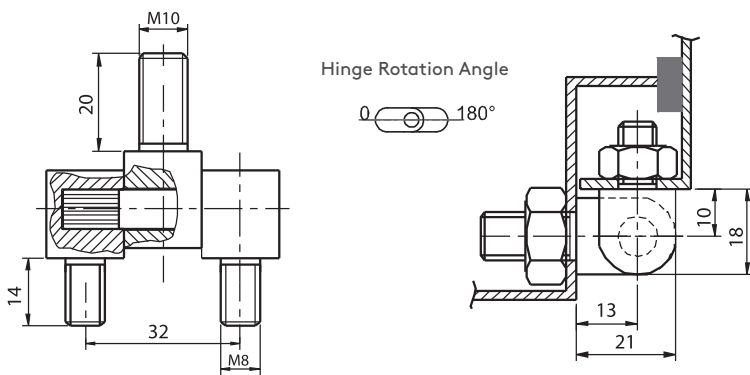


- Side-mounted hinge
- 12 mm parts and bearings made of stainless steel
- Parts are tightly fitted

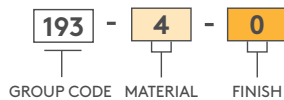
MATERIAL
Stainless Steel (AISI 303/304)

193

SIDE HINGE (16 mm)



PRODUCT CODE



- Side-mounted hinge
- 16 mm parts made of stainless steel
- Parts are tightly fitted.

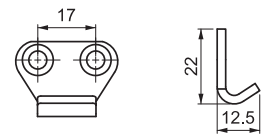
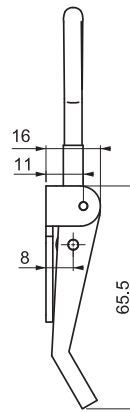
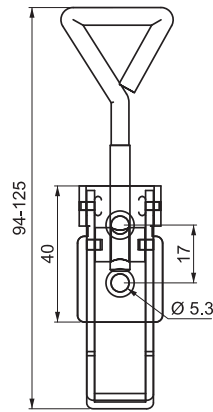
MATERIAL
Stainless Steel (AISI 303/304)

For other materials please check:
page 255

STAINLESS STEEL PRODUCTS

TOGGLE LATCH

340.00.134



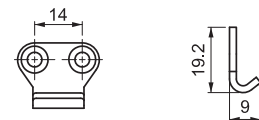
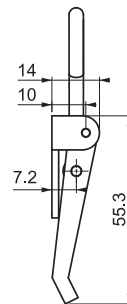
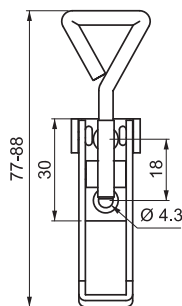
Catch plate

- Used for: tool boxes, cabinets, ships, agriculture and material equipments

MATERIAL
Stainless Steel (AISI 304)

TOGGLE LATCH

340.00.132



Catch plate

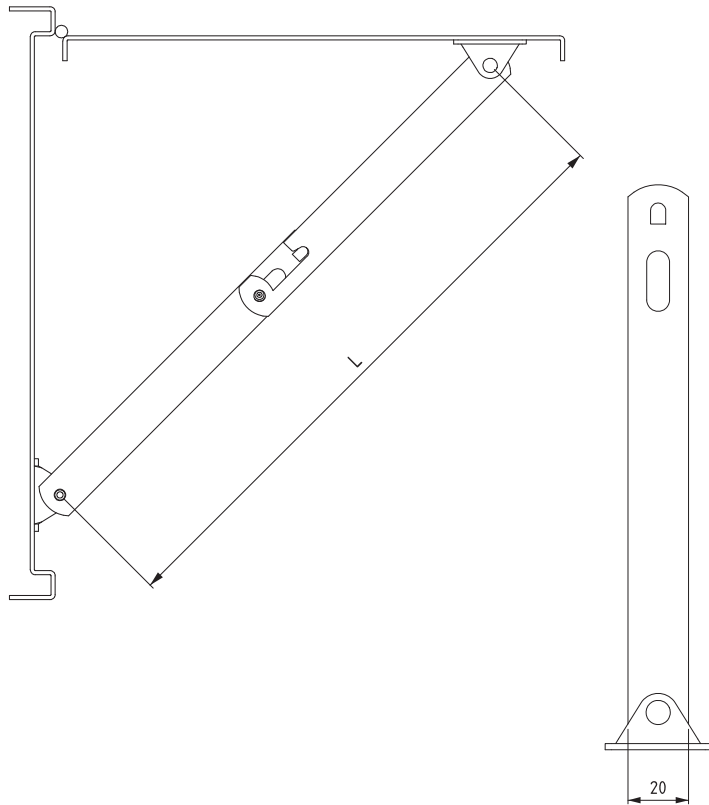
- Used for: tool boxes, cabinets, ships, agriculture and material equipments

MATERIAL
Stainless Steel (AISI 304)

For other materials please check:
page 436

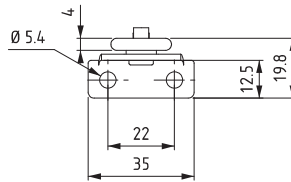
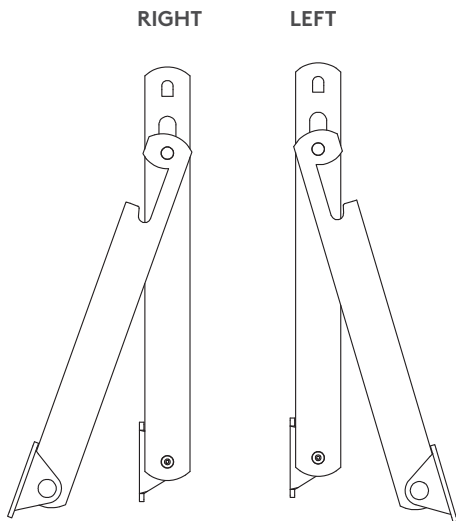
279

COVER STAY



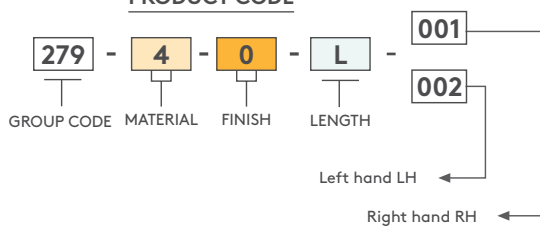
- Suitable for heavy-duty applications
- Manufactured using 4 mm thick steel

MATERIAL
Stainless Steel (AISI 304)



Lmm
292
202
135

PRODUCT CODE

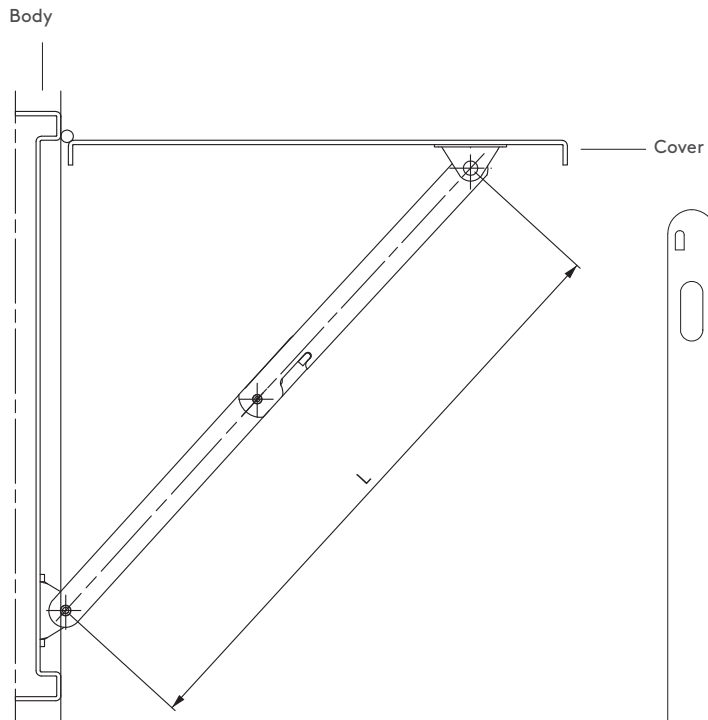


For other materials please check: page 443

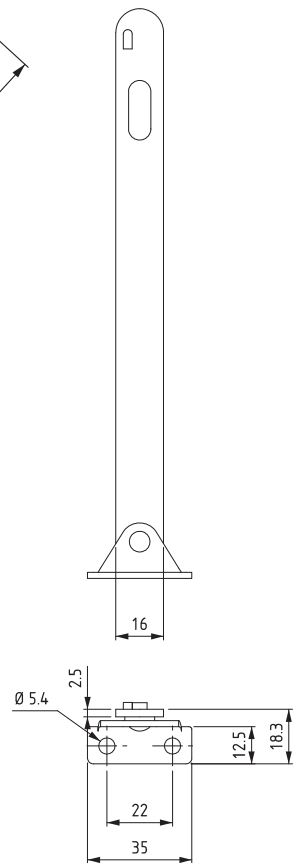
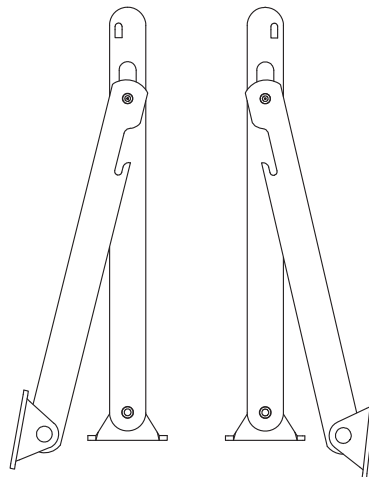
STAINLESS STEEL PRODUCTS

COVER STAY

079



LEFT RIGHT



Lmm

292

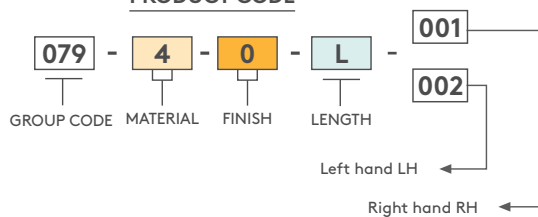
202

135

MATERIAL
Stainless Steel (AISI 304)

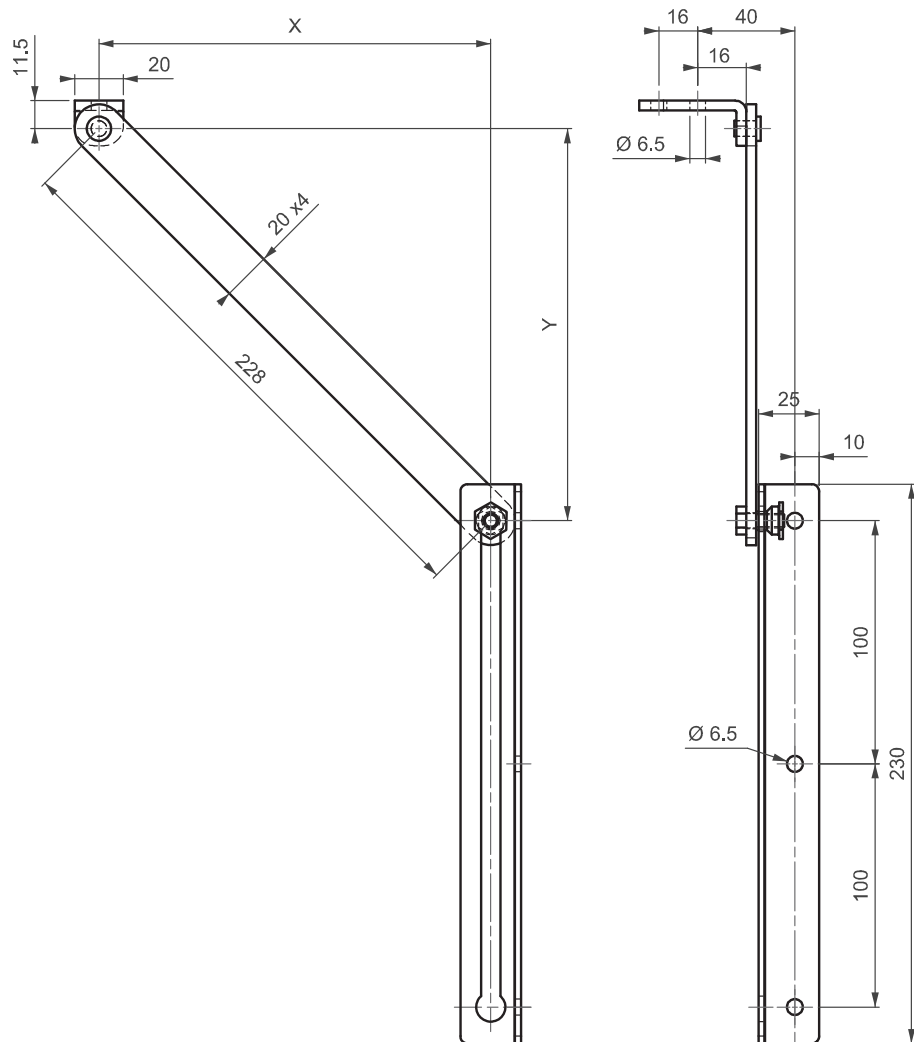
For other materials please check:
page 442

PRODUCT CODE



179

COVER STAY



- Cover Stay with automatic lock to keep the door open
- suitable for left- and right-hand application

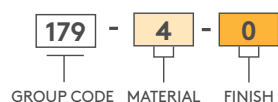
MATERIAL
Stainless Steel (AISI 304)

Installation dimensions

OPENING ANGLE	DIMENSIONS		MINIMAL DOOR WIDTH
	X	Y	
90°	140	180	405
105°	120	166	390
120°	110	150	375
135°	100	146	370

For other configurations:
 $y = X + \text{min.}40$

PRODUCT CODE



For other materials please check:
page 444