

ESL

HFR NUT

ALL METALS - UNC / UNF - NFE 25 411

DeFinition: all metal reusable dual slotted self-locking hexagon nut to the NFE 25 411 standard and SNCF ST 001-002 FPn6

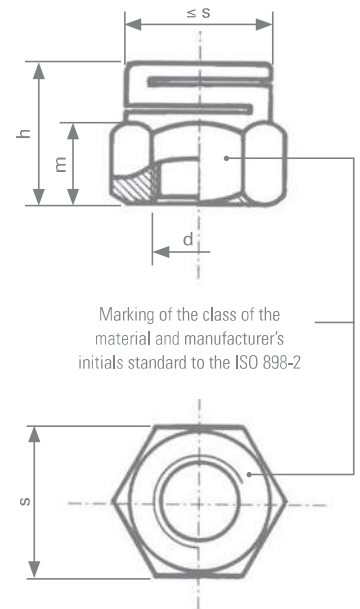
Threading: series UNC / UNF ANSI B1.1

Characteristic and performance test: for steel ISO 898-2 / ISO 2320
for stainless steel ISO 3506-2 / NF E 25035



size	d / nom	UNC	UNF	s / mm	h / mm	m / mm	Codes
N°8	0.1640	32	36	8,00	5,30	2,60	H
N°10	0.1900	24	32	9,00	6,30	3,00	I
1/4	0.2500	20	28	11,00	7,50	4,00	K
5/16	0.3125	18	24	13,00	8,80	4,80	L
3/8	0.3750	16	24	14,00	8,80	4,80	M
7/16	0.4375	14	20	17,00	11,00	6,00	N
1/2	0.5000	13	20	18,00	13,00	7,20	O
9/16	0.5625	12	18	22,00	15,00	8,00	P
5/8	0.6250	11	18	24,00	17,00	9,50	Q
3/4	0.7500	10	16	28,00	21,00	12,00	R
7/8	0.8750	9	14	33,00	22,00	12,50	S
1	1.0000	8	12*	38,00	24,00	13,50	T
1 1/4	1.2500	7	12	46,00	29,50	16,00	V
1 1/2	1.5000	6	12	55,00	32,00	17,50	X
1 3/4	1.7500	5	-	on request			Z
2	2.0000	4	8	75,00	46,00	25,50	Y

* 1"-14 UNS available upon request



Quality class	Classification	Range of application
Grade 5 steel	QV	Self color -50° C +300° C ⁽¹⁾
Grade 8 steel	QK	
Class 12 steel / Grade 10	QL	
Stainless steel 304L	ZE	Corrosive atmosphere -200° C +400° C ⁽¹⁾
Stainless steel 316L	ZH	

Others: Brass - Bronze - Light alloy - Titanium...

⁽¹⁾ Values are only given as indication

Surface treatment (standard to ROHS requirements)			
Electroplated Zinc (steel)	Yellow	ZJ	ISO 4042
	Clear Lanthane ®	ZL	400 h
	Clear Lanthane ® + Topcoat	ZF	600 h
Zinc Flake (steel)	Geomet ®, Delta Protekt ®, Magni ®		600 / 1000h
Antigalling (stainless steel)	Stanal ® 400	ST	
	Sherardisation (NF EN 13811)	SH	
Plain Finish	Light Protective Oil	BT	

Example of ordering code					
	Type	Diam X pitch	Class	Protection	
classification	ESL	N00UNC	QV	ZL	00
wording	ESL	ø 7/16" UNC	8	Zinc Lanthane®	*

* Standard size

On request: other materials, plating, sizes, imperial thread