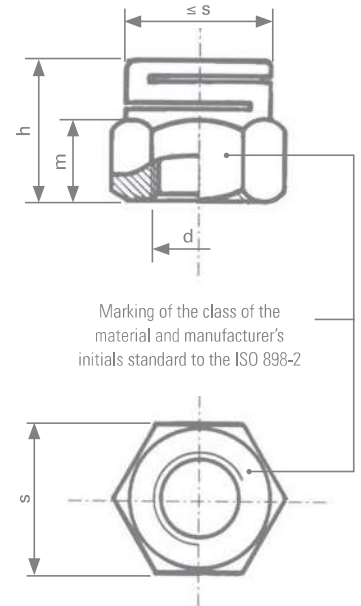


**Definition:** all metal reusable dual-slotted self-locking hexagon nut to the NFE 25 411 standard and SNCF ST 001-002 FPn6

**Threading:** standard to ISO 965-2

**Characteristic and performance test:** stainless steel NF EN ISO 3506-2 / NF E 25035

d	pitch	s	h	m
M 2	0,40	4,00	4,50	2,30
M 2,5	0,45	5,00	4,50	2,30
M 3	0,50	5,50	4,50	2,50
M 4	0,70	7,00	5,30	2,60
M 5	0,80	8,00	6,30	3,00
M 6	1,00	10,00	7,00	3,60
M 7	1,00	11,00	8,10	4,80
M 8	1,25	13,00	8,80	4,80
M 10	1,50	16,00	11,00	6,00
M 12	1,75	18,00	13,00	7,20
M 14	2,00	21,00	15,00	8,40
M 16	2,00	24,00	17,00	9,50
M 18	2,50	27,00	19,50	11,50
M 20	2,50	30,00	21,00	12,00
M 22	2,50	34,00	21,50	12,50
M 24	3,00	36,00	25,50	15,40
M 27	3,00	41,00	28,00	17,00
M 30	3,50	46,00	31,50	18,50
M 33	3,50	50,00	32,00	18,70
M 36	4,00	55,00	34,50	19,50
M 39	4,00	60,00	37,00	20,50
M 42	4,50	65,00	39,50	23,00
M 45	4,50	70,00	43,00	24,00
M 48	5,00	75,00	46,00	25,00



Quality class	Classification	Range of application
Stainless steel A2-70	ZE	Corrosive atmosphere -200° C + 400° C <sup>(1)</sup>
Stainless steel A4-80	ZH	

<sup>(1)</sup> Values are only given as an indication

**Surface treatment (standard to ROHS requirements)**

Surface treatment	Classification
Passivation	PA
Antigalling	Stanal @ 400
	Sherardisation (NF EN 13811)
Self color	BT

**Example of ordering code**

	Type	Diam X pitch	Class	Protection	
classification	ESL	100150	ZH	ST	00
wording	ESL	M10 X 1,50	A4 80	Stanal @ 400	*

\* Standard size

**On request:** other materials, plating, sizes, imperial thread