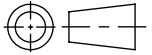
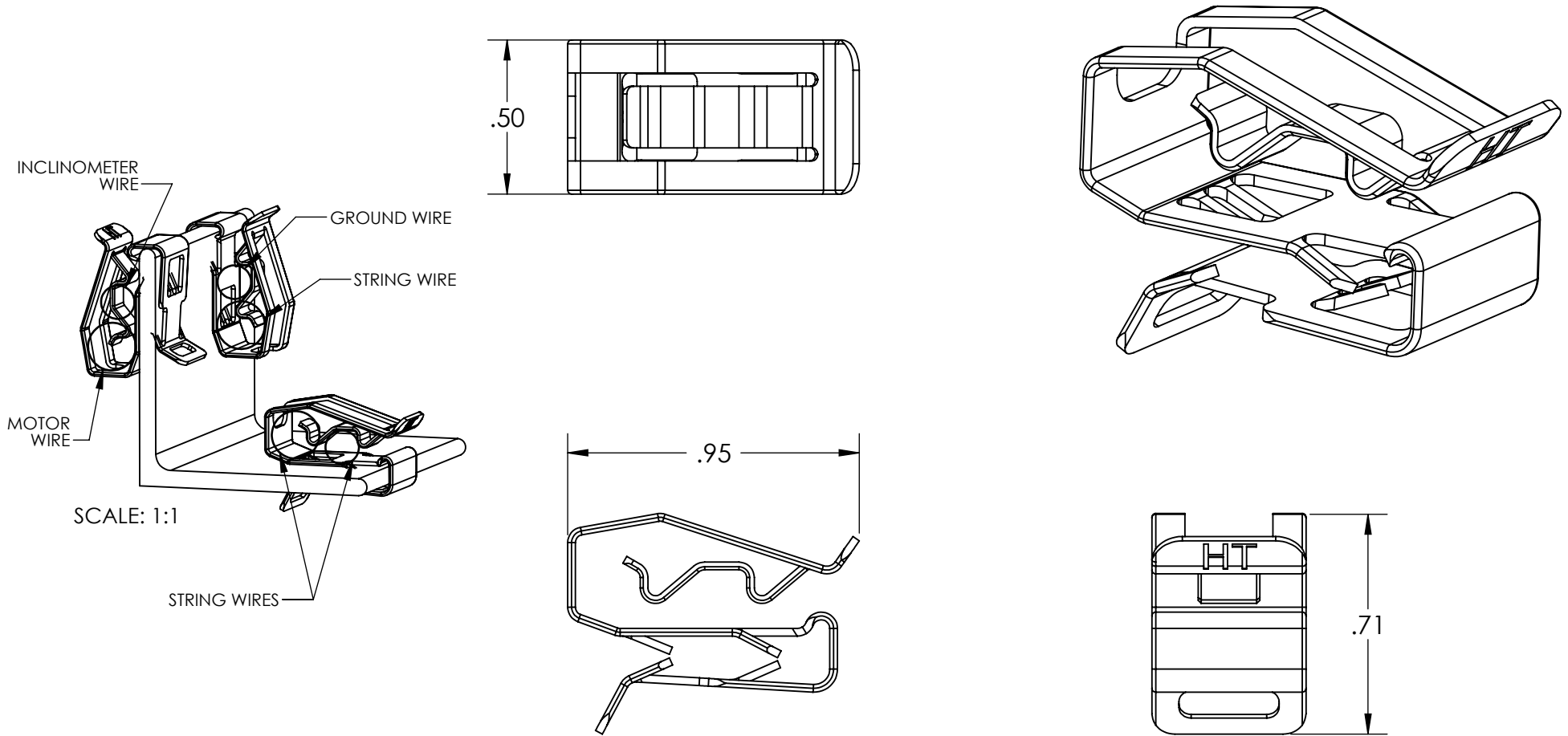


SW2010



Revision level		Revision Record	Changed	Date	Approved	Date
Drawing	Part					
01		SEE ECN# 012253	AAC	12/28/2012	AAC	01/03/2013



Material
304 3/4 HARD STAINLESS
STEEL ROUND EDGE

- NOTES:
 1. MINIMUM PANEL THICKNESS: 1MM
 2. MAXIMUM PANEL THICKNESS: 3MM
 3. MINIMUM CABLE DIAMETER: 5MM
 4. MAXIMUM CABLE DIAMETER: 7.6MM

Units inches
 Dimension without tolerances
 details to:
 .xxxx = ±.0005
 .xxx = ±.005
 .xx = ±.01
 .x = ±.03
 None = ±.06
 ∠ = ±0.5°

The copyright of this drawing is reserved by HellermannTyton. It is issued on condition that it is not reproduced, copied, or disclosed to a third party, either wholly or in part, without the consent of HellermannTyton.

Drawn	WPT	05/04/2012	Article/Type-No	MSC2	Scale	2:1	
Approved	WPT	07/31/2012	Title	METAL SOLAR CLIP	Project Number	PRP11-0158	
HellermannTyton North America Email: corp@htamericas.com Web: www.hellermann.tyton.com			Drawing-No	11-0158-012-CSU	Production : Phase	Format	AH
						Sheet	1/1