

“Stay Connected” with



Solar Power Components

a PennEngineering® Company



## Heyco®-Tite Solar Masthead® II Liquid Tight Cordgrips

Multi-Hole, NPT Hubs with Integral Sealing Ring - IP 68 Rated

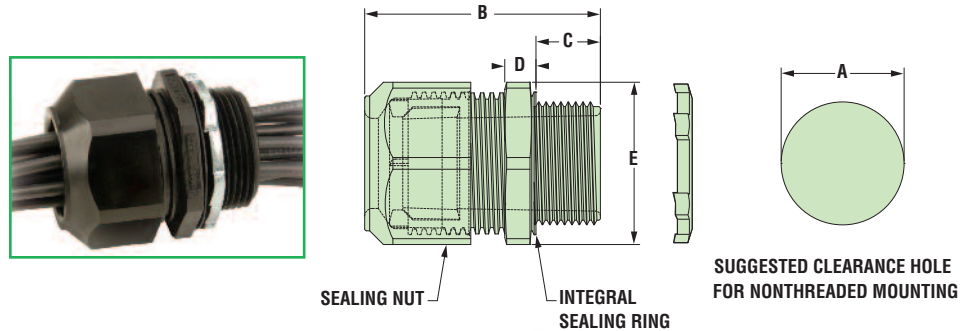
The Ultimate in Liquid Tight Strain Relief Protection

Small Packs Available

GLAND CONFIGURATION Conductors Size mm.	PART NO. Black No.	DESCRIPTION with NPT Thread	PACKAGING		UL/CS or cUL/US	A Clearance Hole Dia.		B Max. O.A. Length		C Thread Length		D Wrenching Nut Thickness		E Flat Size		
			Std. Pack	Small Pack †		in.	mm.	in.	mm.	in.	mm.	in.	mm.	in.	mm.	
5,5	5	M3234GBR-SM	SMCG 3/4	100	25	cUL/US	1.040	26,4	2.00	50,8	.62	15,7	.25	6,4	1.30	33,0
	9	M8437GBK-SM	SMCG 1	100	25	cUL/US	1.326	33,8	2.41	61,2	.76	19,3	.30	7,6	1.73	43,9
	13	M4524GBM-SM	SMCG 1-1/4	50	10	cUL/US	1.680	42,7	2.69	68,3	.78	19,8	.30	7,6	2.05	52,1
	21	M3317GBQ-SM	SMCG 1-1/2	50	5	cUL/US	1.920	48,8	2.81	71,3	.76	19,3	.36	9,1	2.46	62,5
	31	M3321GBY-SM	SMCG 2	50	5	cUL/US	2.400	60,8	2.93	74,3	.79	20,1	.42	10,7	2.73	69,3
5,6	3	M3200GAH-SM	SMCG LL 1/2	200	25	UL/CS	.875	22,2	1.68	42,7	.44	11,2	.25	6,4	1.06	26,9
7,7	3	M3234GBS-SM	SMCG 3/4	100	25	UL/CS	1.040	26,4	2.00	50,8	.62	15,7	.25	6,4	1.30	33,0
	5	M8437GBT-SM	SMCG 1	100	25	UL/CS	1.326	33,8	2.41	61,2	.76	19,3	.30	7,6	1.73	43,9
	9	M4524GBW-SM	SMCG 1-1/4	50	10	UL/CS	1.680	42,7	2.69	68,3	.78	19,8	.30	7,6	2.05	52,1
	11	M3317GBZ-SM	SMCG 1-1/2	50	5	cUL/US	1.920	48,8	2.81	71,3	.76	19,3	.36	9,1	2.46	62,5
	19	M3321GBX-SM	SMCG 2	50	5	UL/CS	2.400	60,8	2.93	74,3	.79	20,1	.42	10,7	2.73	69,3
8,9	7	M4524GCJ-SM	SMCG 1-1/4	50	10	UL/CS	1.680	42,7	2.69	68,3	.78	19,8	.30	7,6	2.05	52,1
	9	M3317GCK-SM	SMCG 1-1/2	50	5	cUL/US	1.920	48,8	2.81	71,3	.76	19,3	.36	9,1	2.46	62,5
	12	M3321GCM-SM	SMCG 2	50	5	UL/CS	2.400	60,8	2.93	74,3	.79	20,1	.42	10,7	2.73	69,3

† To order **Small Packs**, please add the suffix **-P** to Part No.; e.g., M3234GBR-SM-P.

- **Break-Thru Skinned-Over glands** in the Solar Masthead II Cordgrips offer flexibility to use from 1 to 31 of the available holes while still providing a liquid tight seal around the wire.
- **IP 68 rated.**
- Approved for **NEMA 4, 4X, 6 and 6P** applications.
- **Integral Sealing Ring** ensures a superior seal at the clearance or threaded mounting hole location, every time.
- Provide a watertight seal for PV module output leads to inverters.
- Designed for solar rooftop or combiner box installations.
- Secure input PV leads from solar panel array strings to fuse holder hookup within solar combiner boxes.
- Use in some residential rooftop solar applications may eliminate the need for combiner box when appropriate threaded adaptor is used.
- UV resistant nylon construction with TPE Sealing Gland resists salt water, weak acids, gasoline, alcohol, oil, grease, and common solvents.
- No disassembly required for installation.
- Generous wrenching flats for ease of assembly.
- **Solar Masthead II Cordgrips provided with assembled metal locknut.**
  - Contact Heyco for other sizes and gland configurations.



See page 2-7 for details

Use a Heyco-Flex I Conduit Adapter to join a Heyco Solar Masthead to Heyco-Flex I or Rigid PVC Conduit, through which the solar installer can run PV wire from the roof to the field level inverter.

Material	Nylon 6/6 with TPE Sealing Glands
Certifications	<ul style="list-style-type: none"> <li>UL Listed under Underwriters' Laboratories File E51579</li> <li>cUL/US Recognized under the Component Program of Underwriters' Laboratories File E51579 to both Canadian and U.S. requirements</li> <li>CSB Certified by the Canadian Standards Association File 93876</li> </ul>
Flammability Rating	94V-2
Temperature Range	Static -40°F (-40°C) to 239°F (115°C) Dynamic -4°F (-20°C) to 212°F (100°C)
IP Rating	IP 68