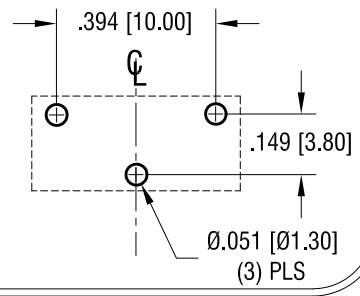
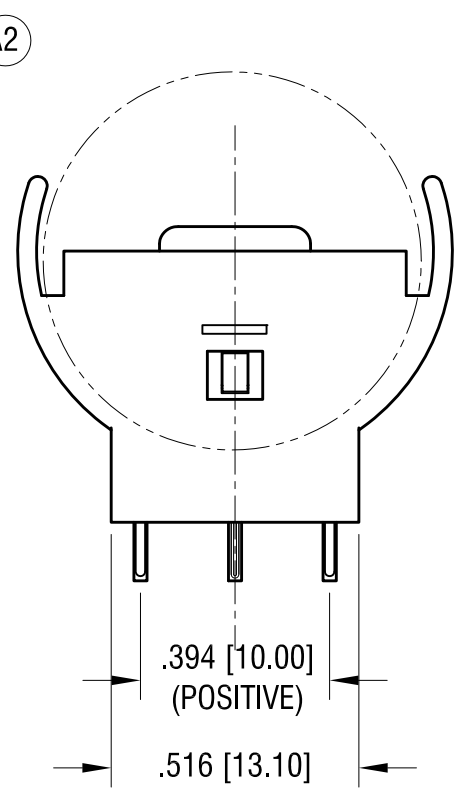
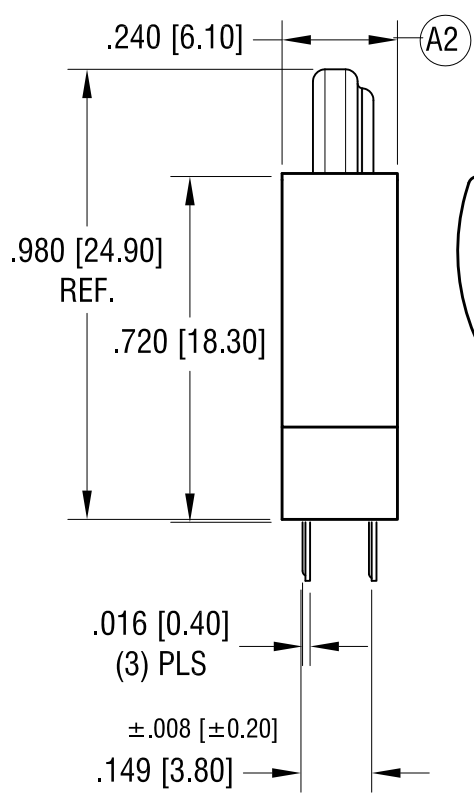
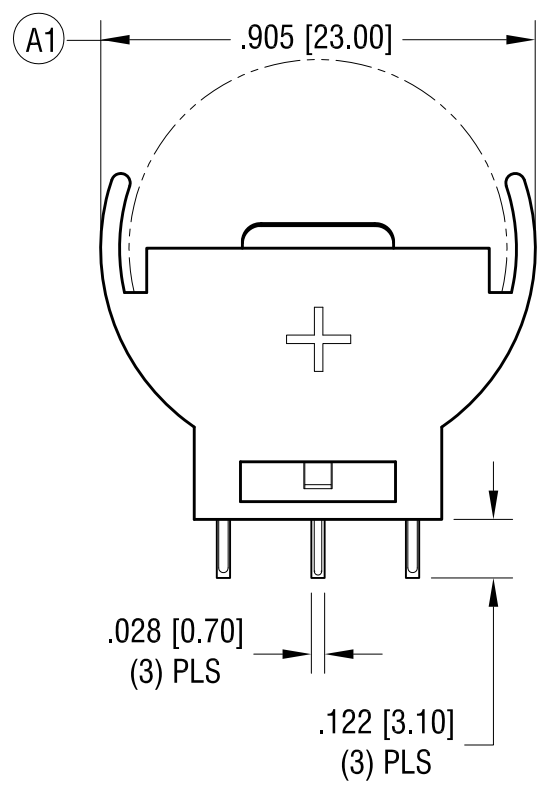
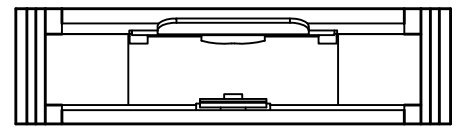
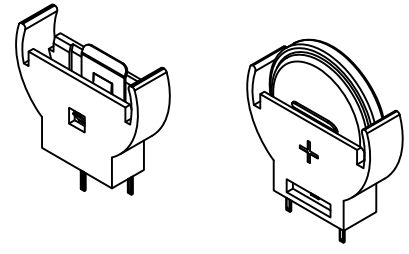


THIS DOCUMENT IS THE PROPERTY OF KEYSTONE ELECTRONICS CORP. AND SHALL NOT BE REPRODUCED, DISTRIBUTED OR USED AS A BASIS FOR MANUFACTURE WITHOUT PRIOR WRITTEN PERMISSION FROM KEYSTONE ELECTRONICS CORP.

MTG LAYOUT



ACTUAL SIZE



NOTE:

- 1. HOUSING: PA (BLACK COLOR), UL94-V0
- 2. CONTACT: MAT'L- .010 [0.25] TH'K BRASS, C2680
FINISH-TIN PLATING

4.22.19	ADD FLAMMABILITY CHANGE AS PER ECN 19-044	B
5.10.18	(A1) WAS .897, (A2) WAS .248 CHANGE AS PER ECN 18-022	A
DATE	DESCRIPTION	REV.

KEYSTONE ELECTRONICS CORP.			
www.keyelco.com • NEW HYDE PARK, NY 11040 • Tel (516) 328-7500			
PART NAME COIN CELL VERTICAL THM HOLDER, CR2032			
MATERIAL AS NOTED			
FINISH AS NOTED		DRN BY NT	DATE 5.10.18
		APP'D RH	SCALE 2.5X
TOLERANCES	INCH [MM]	CODE	DWG NO.
DECIMAL	±.010 [±.25]	C	1074
ANGULAR	± 1°		
UNLESS OTHERWISE SPECIFIED			