



**ESSENTRA**  
COMPONENTS



# WELCOME TO ESSENTRA

We are global manufacturers and distributors of vital component parts for hundreds of markets and thousands of products. We're proud of what we do and believe that even the smallest products have a big part to play.

---

## GLOBAL REACH WITH A LOCAL TOUCH

We bring together the best products, ideas and distribution.



Our network includes **more than 70** manufacturing **facilities**



# WHO IS ESSENTRA COMPONENTS?

Whether you have a global or local project, with over 75 years' experience, and worldwide coverage, we are here to help you.

**20**

Regional distribution centres in Europe & Asia

**35K**

products available

**>1**

BILLION parts in stock

**E**  
**ESSENTRA**

**Moss**

FORMATION OF MOSS PLASTIC PARTS

Beginning in a garden shed, family business, Robert Moss Ltd, launched in 1955. This later became Moss Plastics.



ACQUISITION OF SKIFFY

Based in the Netherlands, Skiffy manufactured and distributed proprietary plastic and metal products into a very broad range of industrial sectors.



ACQUISITION OF RICHCO

Founded in a Chicago candy store, Richco, Inc. supplied plastic components to the electrical and electronics industries.

REBRAND TO ESSENTRA

Essentra's abstract name captures what each of our businesses manufactures and supplies - millions of small but essential components which play a critical enabling role in our customers' products.



ACQUISITION OF ABRIC

Abric, Kuala Lumpur, is a leading global manufacturer and distributor of security sealing products and solutions.

1940's

FORMATION OF FILTRONA CORPORATION

The company was established in Jarrow, North-East England, in the 1940s as the Fibres division of Buznl.

1955

ALLIANCE

FORMATION OF ALLIANCE

Based in Pennsylvania, Alliance originally manufactured and distributed a wide range of component products for industrial markets

1968

2004



ACQUISITION OF DURACO

Duraco Express and Duraco Specialty Tapes manufactured adhesive, foam, and removable tapes, hook and loop, and other adhesive products.

2007

2011

2013



ACQUISITION OF ULINCO

Ulinco Components AB, based in Sweden, distributed plastic protection and finishing products, hardware and specialist masking solutions.

2013



ACQUISITION OF MESAN

Mesan, Turkey, has been developing high performance ergonomic and innovative, customer orientated products for many years.

2013

2014



ACQUISITION OF MICRO PLASTICS

Micro Plastics, based in Arkansas, is a leading manufacturer of threaded nylon fasteners and other plastic components, with four sites in the US, Mexico and the UK.

2017

# ACCESS SOLUTIONS

Whatever your project demands, we can help with a comprehensive range of access hardware and custom solutions.

Our essential solutions are delivered with consistent quality, reliability and supported by outstanding customer service. With free CAD's, samples and specialist advice available, there is no better choice for your solutions provider.



Our expertise ranges across multiple industries, supported by outstanding customer service. We can reduce your lead times, and provide custom solutions and specialist advice to help you achieve your business goals.

## INDUSTRIES



Indoor & Outdoor Cabinets



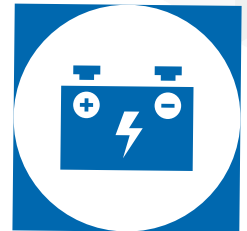
IT Cabinets



Transformers



Industrial Machinery



Power Generators



HVAC



Road Transportation



Rail Transportation



Food Industry



Diversified Applications



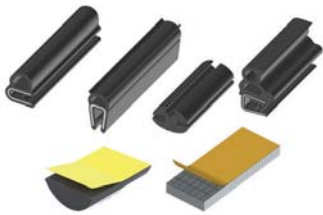
## LOCKS / LATCHES

Our latches give you what you need for every application. Materials range from durable polyamide and steel cams to corrosion-resistant stainless steel. With latches for both indoor and outdoor applications, high or low security needs, our products combine both form and function.



## HINGES

You're spoiled for choice with our range of high quality hinges. Be it plain or flush mounted doors or cabinets, concealed hinges or side hinges. Made from high security and corrosion resistant materials, there is a hinge for all your needs.



## GASKETS

Prevent liquid or gas leaks with our high-performance gasketing & sealing solutions. Easy to apply and available in a range of materials, including PVC, EDPM, rubber blends, and a blend of neoprene, nitrile and PVC.



## ACCESSORIES & HANDLES

An extensive range of accessories are designed and manufactured for a variety of industries and applications using rubber, plastic and aluminum. Manufactured with ergonomics and aesthetics in mind, our handles utilize reinforced plastics and aluminum to assure an easy fitting.



## ELECTRONIC

ELS, our integrated access control system incorporates electromechanical handles, access control units and a monitoring system complete with system sensors. The sensors can detect use, allow management of temperature and maintain cabinet security. Use an RFID card, keypad or remote control to manage door access and retrieve detailed reports of cabinet status whenever you need it.





## FACTORY- 1

22.000 sqm

- Assembly
- Logistics
- Warehouse
- R&D Centre
- Laboratory
- Finishing



## FACTORY- 2

13.500 sqm

- Production
- Sales & Service
- Quality Management
- Tooling



# CUSTOM SOLUTIONS

Sometimes you may not find the perfect solution amongst our portfolio of standard products. You may require a small variation, an alternative color, material or size.

Talk to our in-house team of design engineers and work directly with our R&D and manufacturing centres to create a bespoke solution to meet your needs.

We utilise 3D printing technology to showcase our designs which ensures your specifications are met and assists in expediting lead times from quotation to delivery.



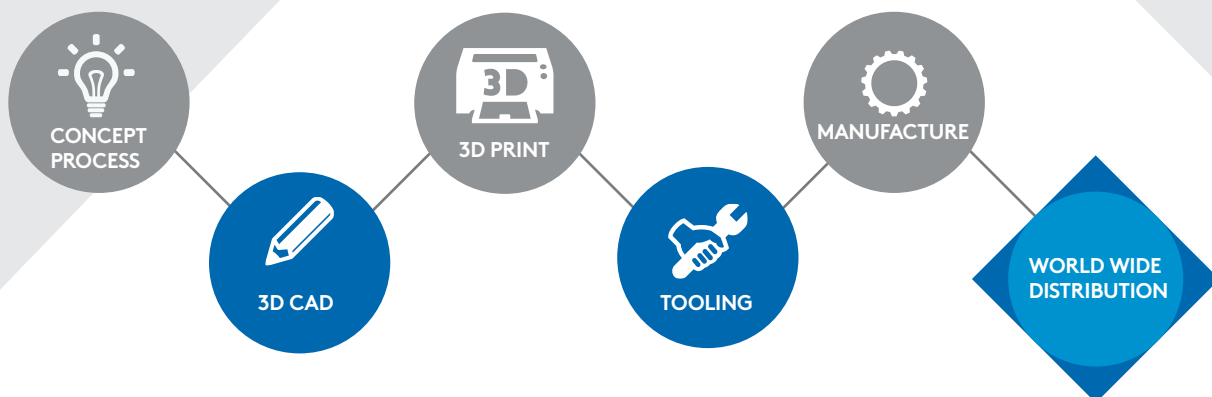
## Capabilities

- Design bespoke products
- Range of color choices
- Customer logo requirement



## R&D

Facilitated by our state of the art R&D facilities we are enabled constantly pursuing innovation to offer new and alternative solutions to you and your customers everyday problems.



# PRODUCTION

Our philosophy in production centres on delivering value to our customers by producing high quality components, on time and at low cost. With the introduction of CNC-controlled machines and robot technologies, a significant increase in capacity and quality has been achieved.



## Manufacturing technology

- Zinc Die Casting
- Plastic Injection Moulding
  - Stamping
  - Machining
- Powder Coating
- Polyurethane Sealing Foam Technology
  - Barrel, Cylinder, Keys Technology
  - Tooling
- Custom Machines

# QUALITY

We understand that continuous improvement in all of our processes drives customer satisfaction. We ensure our products exceed customer expectations, whilst adhering to technical and legal requirements. Our products are manufactured to comply with RoHS standards, and meet obligations concerning the Registration, Evaluation, Authorisation, and Restriction of Chemicals (REACH)

We operate a stringent quality assurance programme, ensuring procedural controls are applied to all activities that affect the quality of our products and services.



## Quality Assurance Qualifications:

ISO  
9001:2015

ISO  
14001:2015

OHSAS  
18001

ISO  
27001:2013

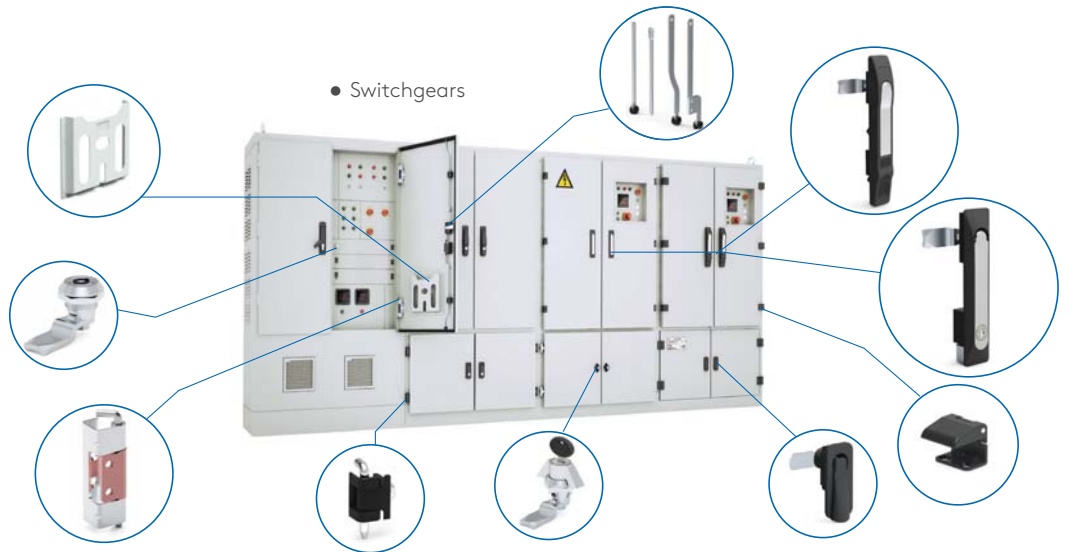
ISO  
50001:2001

# AREAS OF EXPERTISE



## Indoor Cabinets

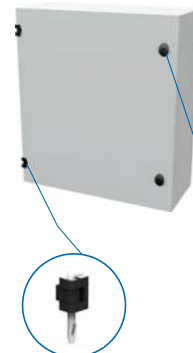
Essentra Components boasts an extensive range of secure switchgears, primarily for use on indoor cabinets. The range covers Swinghandles, Linear Locking Systems, 3 Point Locking Systems, Multipoint Locking systems, QuarterTurns, Cam latches, Hinges, Gaskets, and Project Holders.



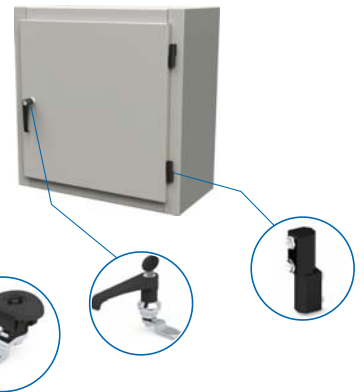
## Stainless Steel Enclosures



## Polyester Enclosures



## Steel Enclosures



## Outdoor Cabinets

Specialist cabinet latches/locks are required for a variety of applications not limited to ADSL, Telecommunication and CCTV applications. We offer a wide range of products in this sector including high security 1/2 din locks and WK2 standard locks.

## Telecommunication Cabinets

### Polycarbon Enclosures



### Metal Cabinets



# YOUR SOLUTIONS PARTNER

● Stand-Alone Rack Cabinets



● Data Centers



## IT Cabinets

With sensitive data becoming more and more prevalent, it's now more important than ever to securely manage your electronic cabinets. We've designed a range of high-tech Electromechanical Locking Systems to help monitor and track internal environments and entry to cabinets.

● Generator Cabinets



## Power Generators

Our eclectic product range means we've got a solution no matter your needs. With our customer-centric designs, alternative solutions and our high-standard products, we can meet all your needs for both basic and sound proof canopies.

● M.V. Switchboard Cabinets



● Transformers Substations



## Transformers

When working with transformers, it's important that all entry points are kept secure, particularly areas that contain medium voltage cells. Our solutions are high quality and secure, including our technically designed explosion resistant hinges and latches/locks

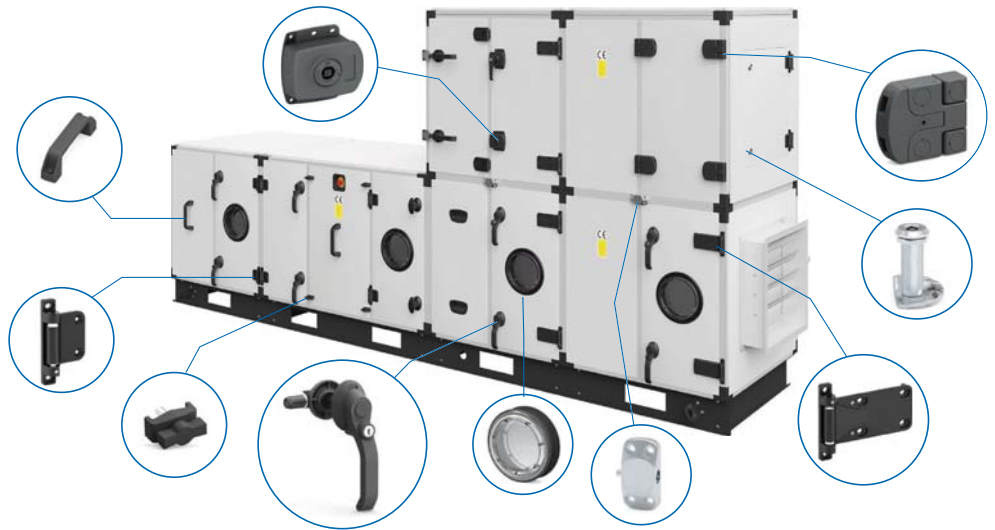
# AREAS OF EXPERTISE



## HVAC

Outdoor HVAC cabinets need to cope with the differing environments in which they are used while ergonomics, functionality and modular system solutions are common needs. Our solutions are designed with this in mind so no matter the application, our offering will meet your needs.

### • Heating, Ventilation, Air Conditioning Cabinets



## Diversified Applications

Our expertise spans across many industries, allowing catered solutions to be produced for a number of non-standard applications.

### • Fire Extinguisher

### • Tool Cabinets



### • Lockers

### • Furniture

### • File Cabinets





# YOUR SOLUTIONS PARTNER



## Industrial Machinery

Whether you're building indoor or outdoor machines, sealing, noise isolation and vibration reduction are some of your most important considerations. Essentra Components offers a wide range of solutions designed to meet your specific requirements.



## Road Transportation

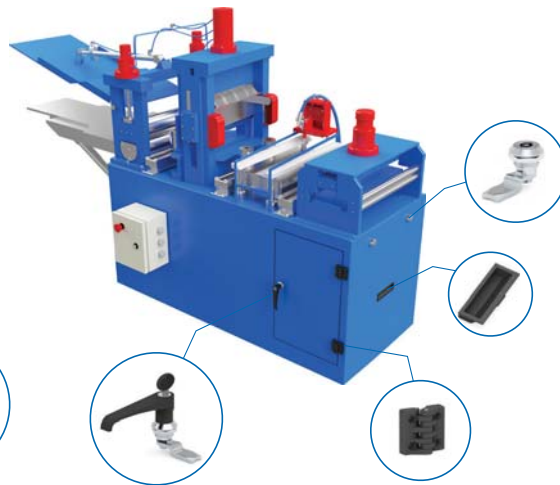
We produce solutions for HGVs, utility trucks, caravans, construction machinery, and buses. Our range is specifically catered to the needs of these applications, offering paddle latches, quarter turn latches, custom hinges, sealing products, and many other functional solutions.



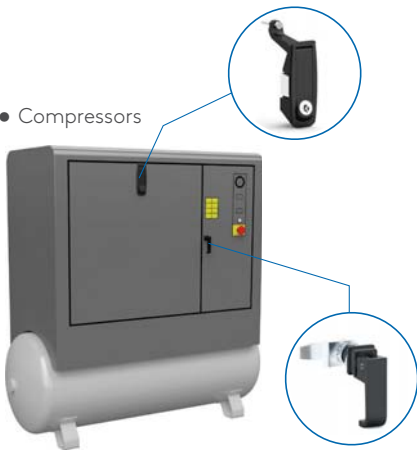
## Rail Transportation

Suitable for both subway trains and high speed trains our compression latches, are certified to DIN EN 60068-2-64 [04/2011]. Many of our sealing products, trigger latches and heavy duty hinges are also UL 94 certified.

### • Miscellaneous Machines



### • Compressors



### • Construction Machinery



### • Caravans



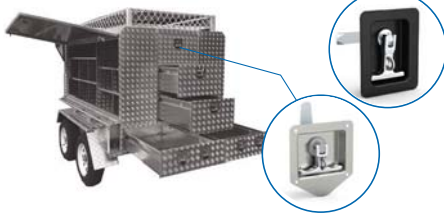
### • Buses



### • Trucks



### • Utility Trucks



### • Subway Trains



### • High Speed Trains





# NEW PRODUCTS

▶ Locks

▶ Hinges

▶ Gaskets

▶ Handles

▶ Stainless Steel Products

▶ Electronic

▶ p68



▶ p104



▶ p150



▶ p66



▶ p99



▶ p154



▶ p536



▶ p250



▶ p156



▶ p142



▶ p210



▶ p204



▶ p68



▶ p132



# NEW PRODUCTS

▶ Locks    ▶ Hinges    ▶ Gaskets    ▶ Handles    ▶ Stainless Steel Products    ▶ Electronic

▶ p324



▶ p496



▶ p469



▶ p378



▶ p502



▶ p473



▶ p291



▶ p500



▶ p479



▶ p292



▶ p475



▶ p426



▶ p293



▶ p468



▶ p427



# JUST A FEW OF OUR **STANDARD PRODUCTS**

FOR  
ELECTRICAL



IP65 Push Buttons

Rocker Switch

Standard Grommets

FOR  
ENCLOSURES



Draw Slides

Adjustable Force Gas  
Struts

Metal Gas Struts

FOR EQUIPMENT  
CONTROL



Index Plunger

Cam Switches

Handles

AND  
THERE IS MORE...



Masking Plugs

Tapered Caps

Masking Tapes

**REQUEST OUR FULL COMPONENTS CATALOGUE!**

**OVER 35,000 STANDARD PRODUCTS  
FOR FAST DISPATCH**



Nylon Cable Glands

Vent Plugs

Twist Ties

Cable Ties

Key Operated Push Button



EMI Gasket

Flipper Gasket

Side Bubble Gasket

Heavy Duty Lid Stay

Vibration Mounts



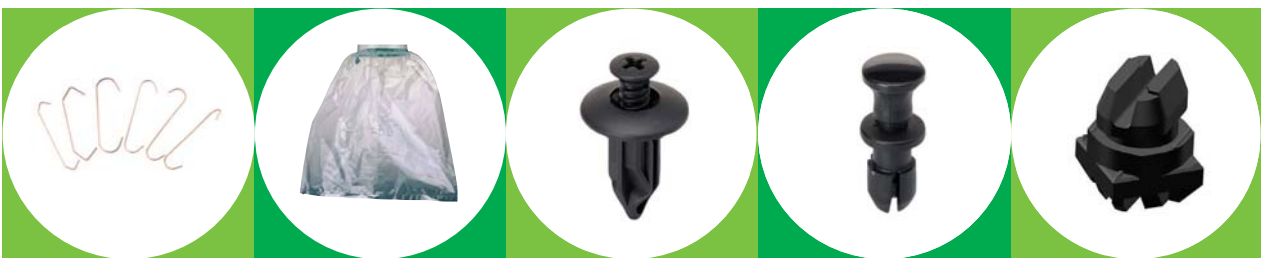
Handwheels

Industrial Feet

Machine Feet

Cam Levers

Castors



Support Hooks

Masking Bags

Screw Rivet Fasteners

Quarter Turn & Snap Latches

Rack Panel Quarter Turn Fastener

**GO ONLINE:**  
**REQUEST FREE SAMPLES**  
**3D CAD DRAWINGS**  
**ORDER ONLINE**

 [www.essentracomponents.co.uk](http://www.essentracomponents.co.uk)





# PRODUCT GROUPS



**SWINGHANDLES**  
20 - 53



**ROD-LATCH SYSTEM**  
54 - 93



**HEAVY-DUTY LATCHES**  
94 - 123



**MISCELLANEOUS PRODUCTS**  
124 - 167



**CAMS, KEYS, RODS & ROD GUIDES**  
168 - 191



**QUARTER-TURN LATCHES**  
192 - 245



**CAM LATCHES**  
246 - 271



**FURNITURE & STEEL CUPBOARD LATCHES**  
272 - 283



**SIDE HINGES**  
284 – 297



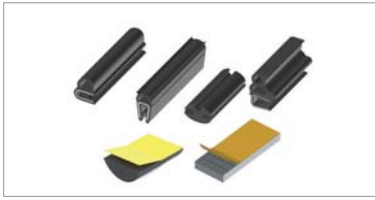
**CONCEALED HINGES**  
298 – 333



**CORNER HINGES**  
334 – 355



**FLAT HINGES**  
356 – 397



**GASKETS**  
398 – 417



**HANDLES**  
418 – 429



**ACCESSORIES**  
430 – 449



**STAINLESS STEEL PRODUCTS**  
450 – 521



**ELECTRONIC LOCKING SYSTEM**  
522 – 551

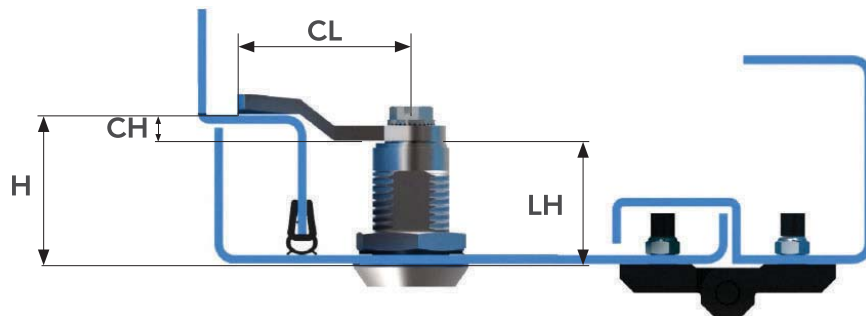


PRODUCT CODE DESCRIPTIONS

DESCRIPTIONS	MATERIALS AND FINISH OPTIONS
<span style="border: 1px solid black; padding: 2px;"> </span> GROUP CODE	<p><b>M</b> MATERIAL</p> <p>1 Zinc Alloy 2 Plastic 3 Brass 4 Stainless steel 5 Aluminium 6 Steel</p> <p><b>F</b> FINISH</p> <p>0 No finish 1 Chrome 2 Black coated 3 Zinc plated 7 Matt anodized</p>
<b>M</b> MATERIAL	
<b>F</b> FINISH	
<b>DD</b> CYLINDER - DRIVER/TOOL	
<b>CC</b> CAM	
<b>V</b> VERSION	
<b>DT</b> DOOR THICKNESS	
<b>L</b> LENGTH	
<b>H</b> HEIGHT	
<b>LH</b> HOUSING LENGTH	
<b>P</b> PIN	
<b>001</b> RIGHT HAND	
<b>002</b> LEFT HAND	
<b>1</b> OPTIONAL/IP 65	
<b>1</b> OPTIONAL/PADLOCK HASP	
<b>2</b> OPTIONAL/DUST CAP	
<b>12</b> OPTIONAL/PADLOCK HASP + DUST CAP	
<b>EXAMPLE PRODUCT CODE</b>	
<p>062 - 1 - 2 - 42</p> <p>↓ ↓ ↓ ↓</p> <p><b>062</b> - <b>M</b> - <b>F</b> - <b>CC</b></p> <p>GROUP CODE MATERIAL FINISH CAM</p>	
<p><b>062-1-2-42</b></p> <p><b>062</b> Quarter turn – wing knob <b>1</b> Zinc Alloy material <b>2</b> Black coated <b>42</b> Cam: 7x49 mm</p>	

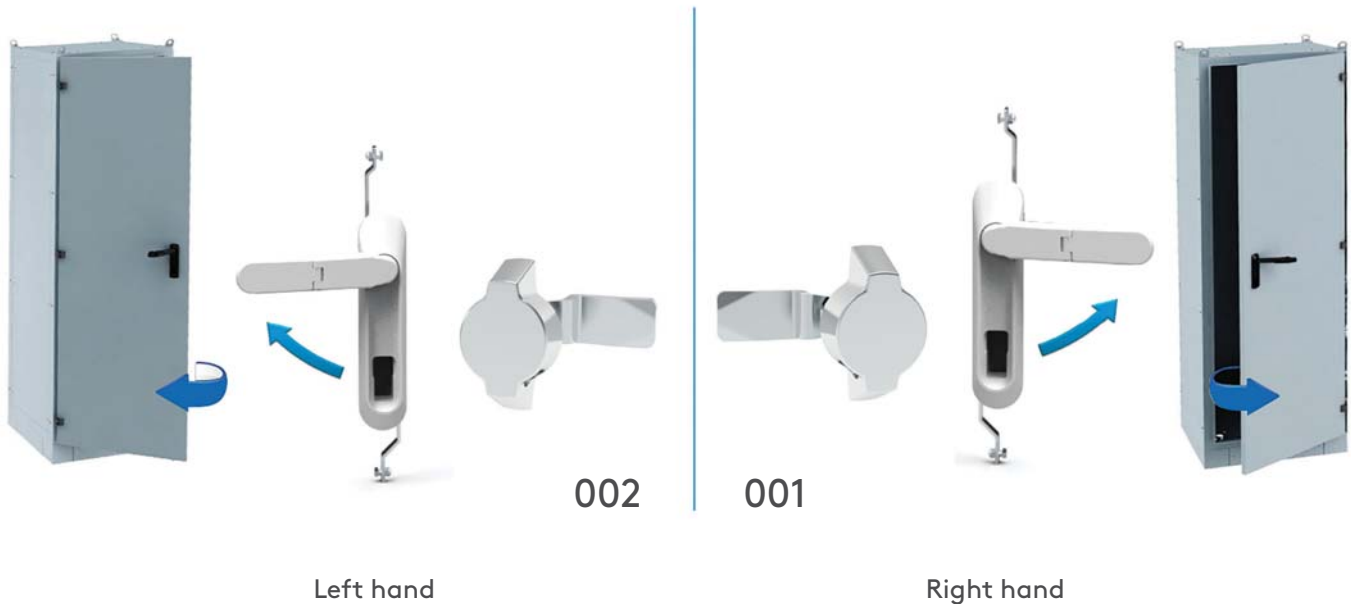
TECHNICAL DRAWING DESCRIPTIONS

- H:** Grip
- LH:** Housing length
- CL:** Cam length
- CH:** Cam height





## DOOR-LOCKING DIRECTIONS



Left hand

Right hand

## SYMBOLS



RoHS Compliant



Foam gasketing



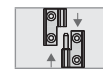
Position control



Anti Bacterial



Clip-in assembling



Lift-off hinge



IP 65 - NEMA 4  
Sealing level



Padlock version



Side hinge



IP 66 - NEMA 4X  
Sealing level



Profile cylinder



Concealed hinge



IP 54 - NEMA 3  
Sealing level



Outside the gasketing



Corner hinge



Suitable for left or right hand



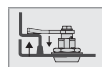
Inside the gasketing



Flat hinge



Left hand only



Compression specification of Latces



Three-dimensional



Right hand only



Earthing/Grounding



Two-dimensional

## EXPLANATIONS

\* All dimensions are in millimetres (mm)

\* We comply with RoHS

\* Finishes comply with TS EN 12540

\* We reserve the right to make changes to product specifications without prior notice

\* Our polyamide products and EPDM gasket products can be produced as flame resistant to comply with the UL94 standard

\* All images, text and designs contained within this catalogue remain the copyright of Essentra Components



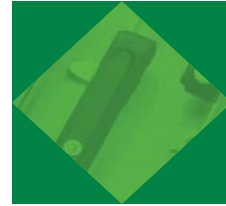


# LOCKS



# SWINGHANDLES

GROUP CODE	PRODUCT NAME
001	SWINGHANDLE
201	SWINGHANDLE
101	SWINGHANDLE
501	SWINGHANDLE
601	SWINGHANDLE
408	SWINGHANDLE
105	SWINGHANDLE
206	SWINGHANDLE
306	SWINGHANDLE
106	SWINGHANDLE
406	SWINGHANDLE
008	SWINGHANDLE
908	SWINGHANDLE
108	SWINGHANDLE
208	SWINGHANDLE
218	SWINGHANDLE
808	SWINGHANDLE
708	SWINGHANDLE
308	SWINGHANDLE
318	SWINGHANDLE
518	SWINGHANDLE
508	SWINGHANDLE
006	SWINGHANDLE



PAGE

22,24

23

25

26

27

28 - 29

30

31

32

33

34-35

36

37

38 - 41

42 - 43

44

45

46 - 47

48

49

50

51

52



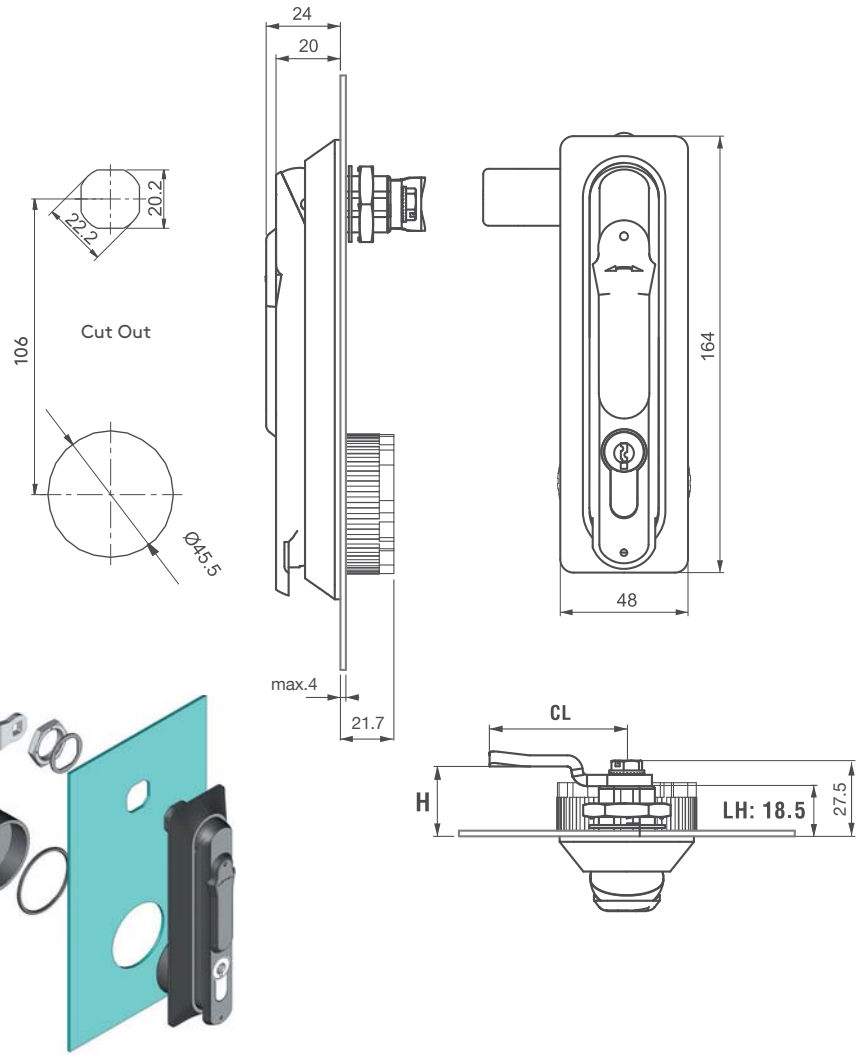
# SWINGHANDLES

## SWINGHANDLE

001



- RoHS
- IP 65  
NEMA 4
- 
- 
- 



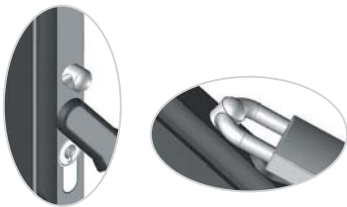
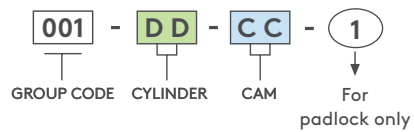
- Small version: page 24
- For steel and polyester cabinets
- 40 mm Euro Profile single-cylinder fitted
- For 42 mm Euro Profile single-cylinder contact Essentra

### MATERIAL

**BODY:** Polyamide DIN-EN ISO 1043-1 PA6 GFR 30  
**HANDLE:** Polyamide DIN-EN ISO 1043-1 PA6 GFR 30  
**CYLINDER:** Zinc Alloy DIN-EN 1774-ZnAl4Cu1  
**CAM:** Steel  
**SEAL:** Rubber



### PRODUCT CODE



1

Padlock application

- For cams please check pages: 172 - 173
- For keys please check pages: 189 - 191
- For rods please check pages: 178 - 188

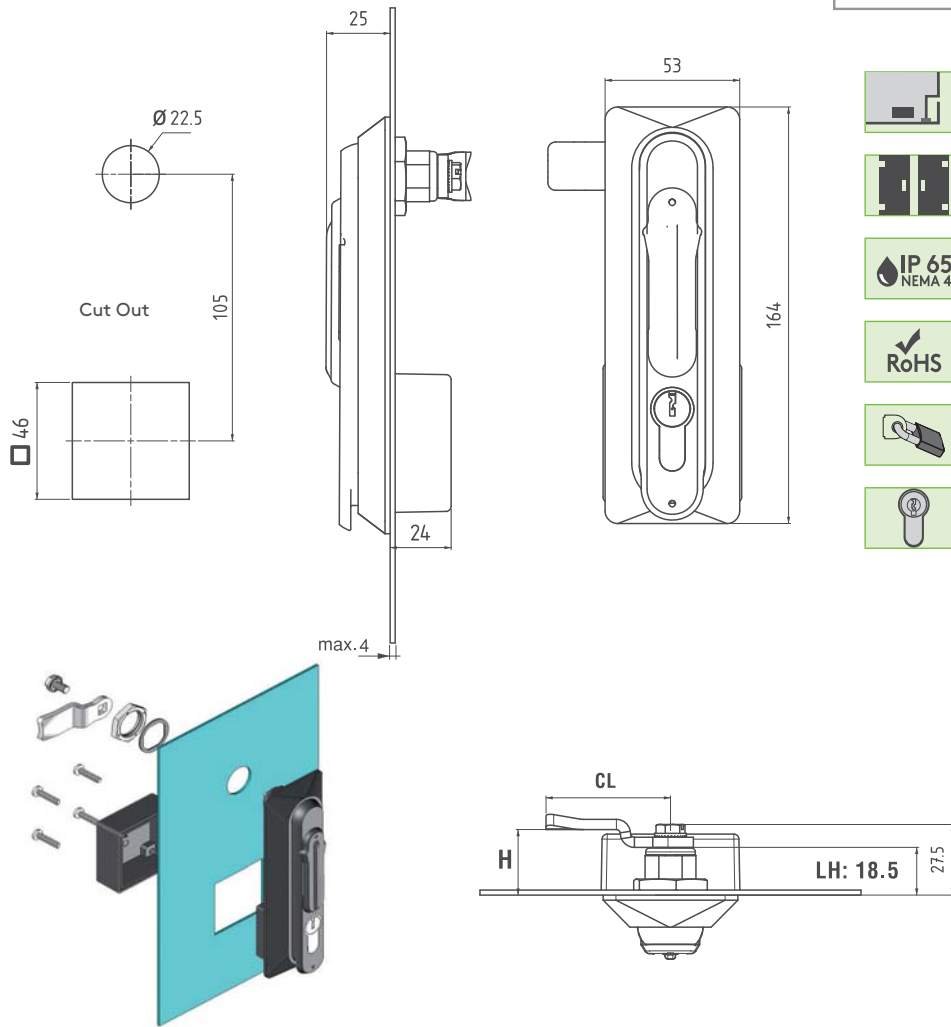
CYLINDER TYPE		DD	NO CYLINDER	DD
	Keyed alike (Stainless steel dust cap)	03		24
	Keyed differ (Stainless steel dust cap)	32		
	Master system	04		
	Euro key (5333)	05		
	CH751 (Stainless steel dust cap)	07		

DRIVER/TOOL TYPE				DD	HIGH-SECURITY CYLINDER		DD	
5 mm Double bit	8 mm Square	9 mm Triangular	Eastern		Brass cylinder	Zinc Alloy cylinder		
					Keyed alike	Keyed differ	Keyed alike	Keyed differ
					20	21	22	23



## 201

## SWINGHANDLE



- 
- 
- 
- 
- 
- 

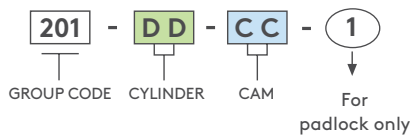


- For steel and polyester cabinets
- 40 mm Euro Profile single-cylinder fitted
- For 42 mm Euro Profile single-cylinder contact Essentra

### MATERIAL

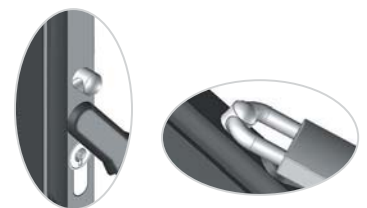
- BODY:** Polyamide DIN-EN ISO 1043-1 PA6 GFR 30
- HANDLE:** Polyamide DIN-EN ISO 1043-1 PA6 GFR 30
- DUST C.:** Zinc Alloy DIN-EN 1774-ZnAl4Cu1
- CYLINDER:** Zinc Alloy DIN-EN 1774-ZnAl4Cu1
- CAM:** Steel
- SEAL:** Rubber

### PRODUCT CODE



CYLINDER TYPE		DD	NO CYLINDER		DD
	Keyed alike (Stainless steel dust cap)	03		Plastic blind cylinder	24
	Keyed differ (Stainless steel dust cap)	32			
	Master system	04			
	Euro key (5333)	05			
	CH751 (Stainless steel dust cap)	07			

DRIVER/TOOL TYPE				HIGH-SECURITY CYLINDER			
5 mm Double bit	8 mm Square	9 mm Triangular	Eastern	Brass cylinder	Zinc Alloy cylinder		
15	28	39	91	Keyed alike	Keyed differ	Keyed alike	Keyed differ
				20	21	22	23



1

Padlock application

- For cams please check pages: 172 - 173
- For keys please check pages: 189 - 191
- For rods please check pages: 178- 188

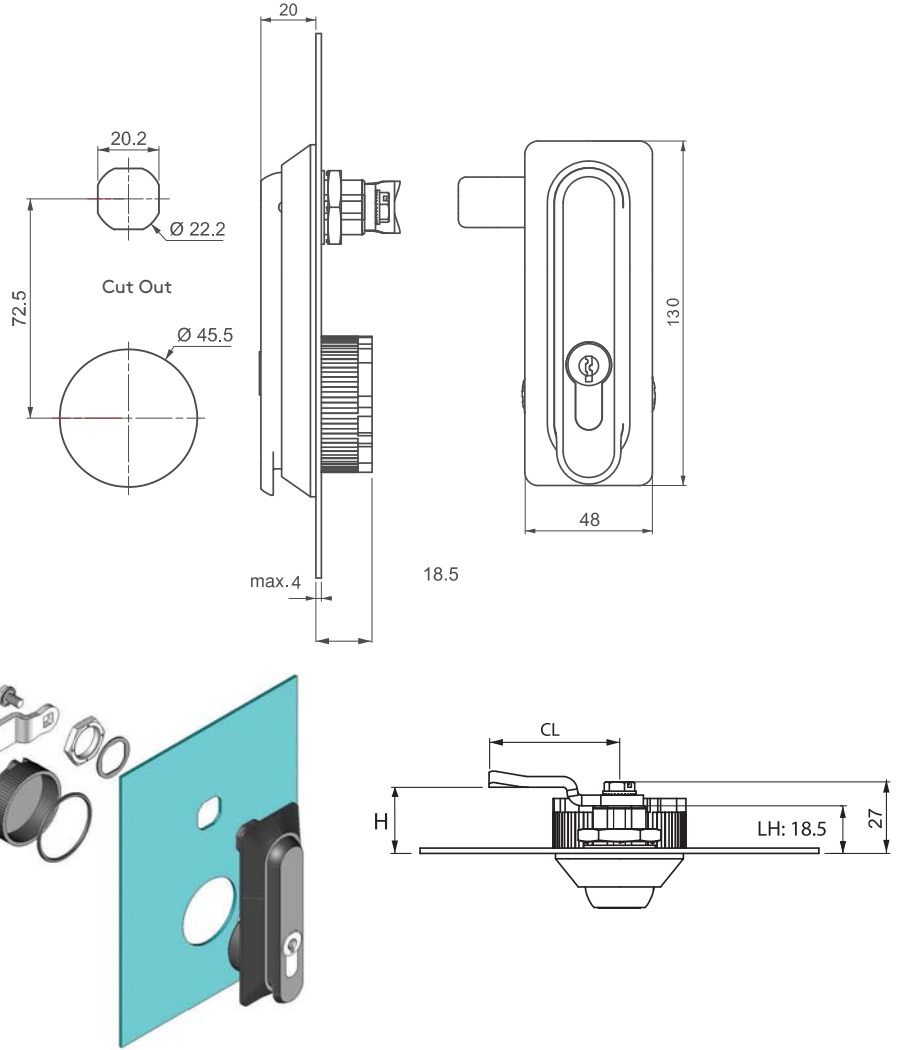
**SWINGHANDLE**

**001**

**SMALL VERSION**



-  RoHS
-  IP 65  
NEMA 4
- 
- 

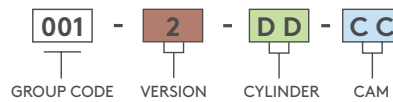




- Large version: page 22
- For steel and polyester cabinets
- 40 mm Euro Profile single-cylinder fitted









**MATERIAL**




**BODY:** Polyamide DIN-EN ISO 1043-1 PA6 GFR 30  
**HANDLE:** Polyamide DIN-EN ISO 1043-1 PA6GFR 30  
**CYLINDER:** Zinc Alloy DIN-EN 1774-ZnAl4Cu1  
**CAM:** Steel  
**SEAL:** Rubber

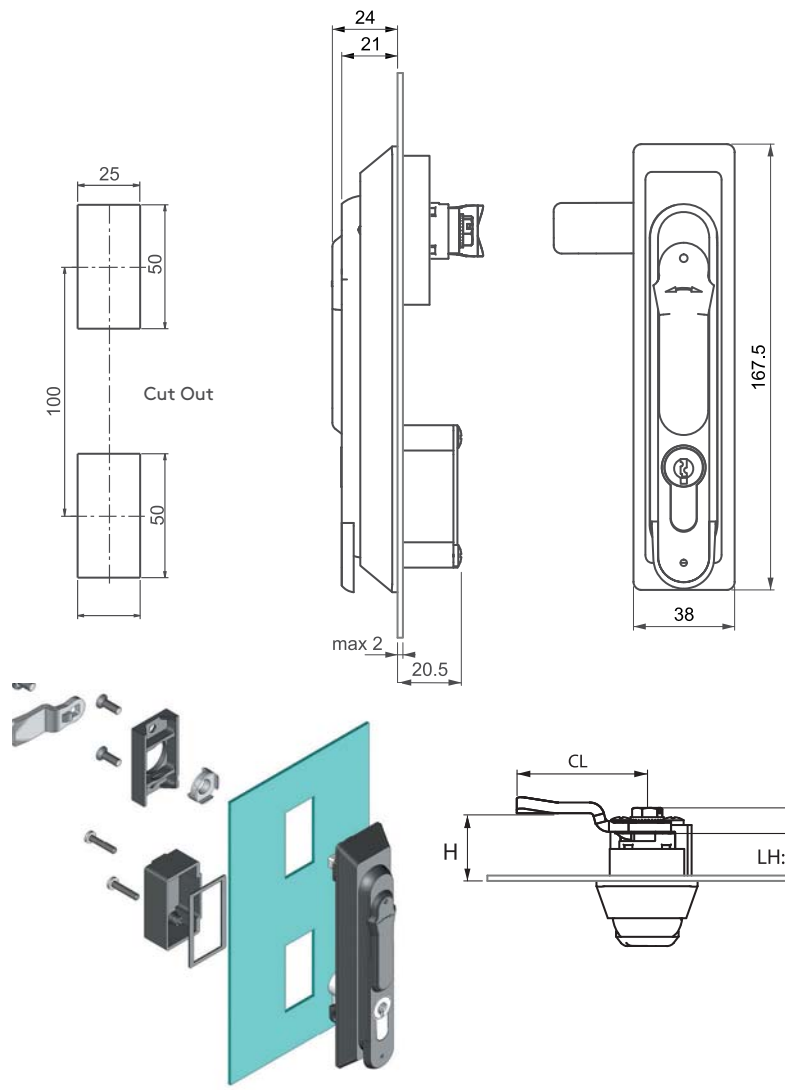
**PRODUCT CODE**



CYLINDER TYPE		DD	NO CYLINDER	DD
	Keyed alike (Stainless steel dust cap)	03		24
	Keyed differ (Stainless steel dust cap)	32		
	Master system	04		
	Euro key (5333)	05		
	CH751 (Stainless steel dust cap)	07		

DRIVER/TOOL TYPE				HIGH-SECURITY CYLINDER				
5 mm Double bit	8 mm Square	9 mm Triangular	Eastern	Brass cylinder	Zinc Alloy cylinder			
								
15	28	39	91	20	21	22	23	

-  For cams please check pages: 172 - 173
-  For keys please check pages: 189 - 191
-  For rods please check pages: 178- 188



**101**

**SWINGHANDLE**

- 
- 
- 
- 
- 
- 
- 

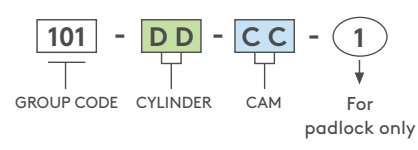




- Swinghandle for steel and polyester cabinets
- 40 mm Euro Profile single-cylinder fitted
- Padlockable version available
- For 42 mm Euro Profile single-cylinder contact Essentra


**MATERIAL**

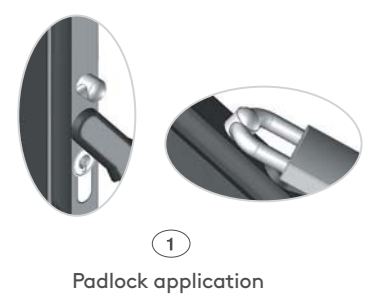
**BODY:** Polyamide DIN-EN ISO 1043-1 PA6 GFR 30  
**HANDLE:** Polyamide DIN-EN ISO 1043-1 PA6 GFR 30  
**CYLINDER:** Zinc Alloy DIN-EN 1774-ZnAl4Cu1  
**CAM:** Steel  
**SEAL:** Polyurethane




**PRODUCT CODE**



CYLINDER TYPE		DD	NO CYLINDER		DD
	Keyed alike (Stainless steel dust cap)	03		Plastic blind cylinder	24
	Keyed differ (Stainless steel dust cap)	32			
	Master system	04			
	Euro key (5333)	05			
	CH751 (Stainless steel dust cap)	07			

DRIVER/TOOL TYPE				HIGH-SECURITY CYLINDER			
5 mm Double bit	8 mm Square	9 mm Triangular	Eastern	Brass cylinder	Zinc Alloy cylinder		
							
15	28	39	91	Keyed alike	Keyed differ	Keyed alike	Keyed differ
				20	21	22	23



-  For cams please check pages: 170 - 171
-  For keys please check pages: 162 - 163
-  For rods please check pages: 150- 161

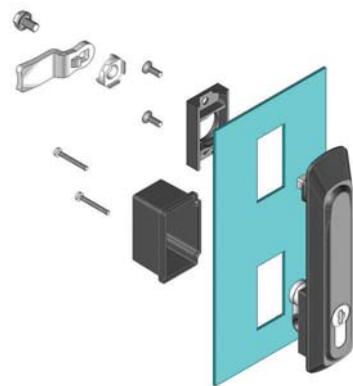
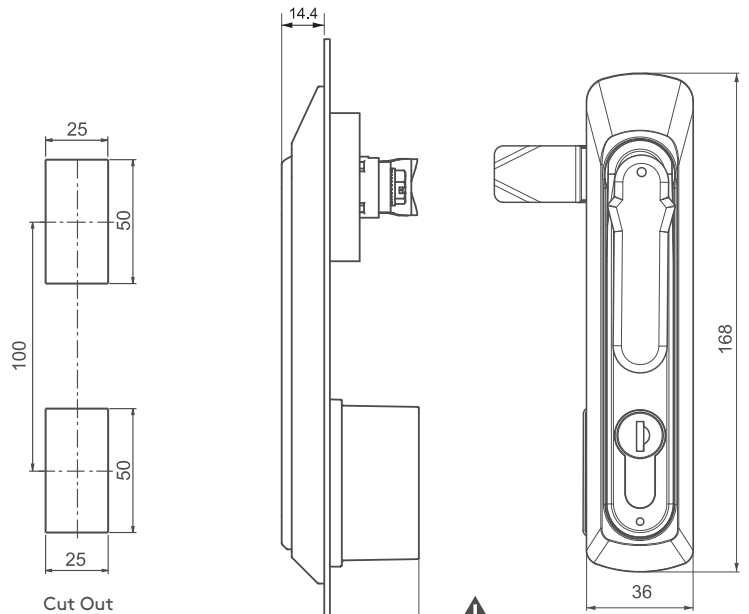
# SWINGHANDLES

## SWINGHANDLE 501

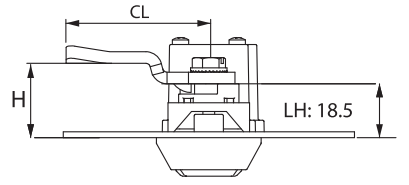
ALL IN METAL



- 
- 
- 
- 



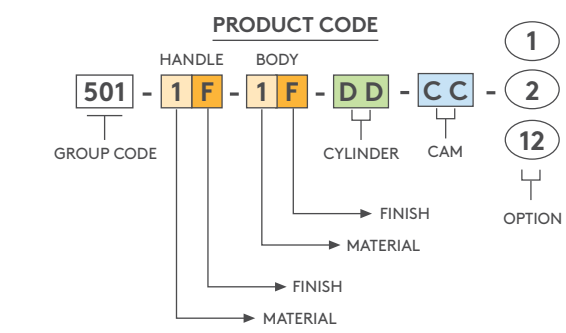
25.5 : Zinc Alloy cylinder  
32 : Brass cylinder



- Stainless steel version: page 453
- Die-cast construction stronger than polyamide
- Thin external profile, 14.4 mm, for flush appearance
- High-security, brass, Euro Profile single-cylinder available
- Dust cap available
- Padlockable version available
- For customised colors contact Essentra

**MATERIAL**  
**BODY:** Zinc Alloy DIN-EN 1774-ZnAl4Cu1  
**HANDLE:** Zinc Alloy DIN-EN 1774-ZnAl4Cu1  
**CAM:** Steel  
**SEAL:** Polyurethane  
**Padlock HASP:** Stainless steel

**Note:** Special espagnolette cam should be used for this application. Please check page 159.



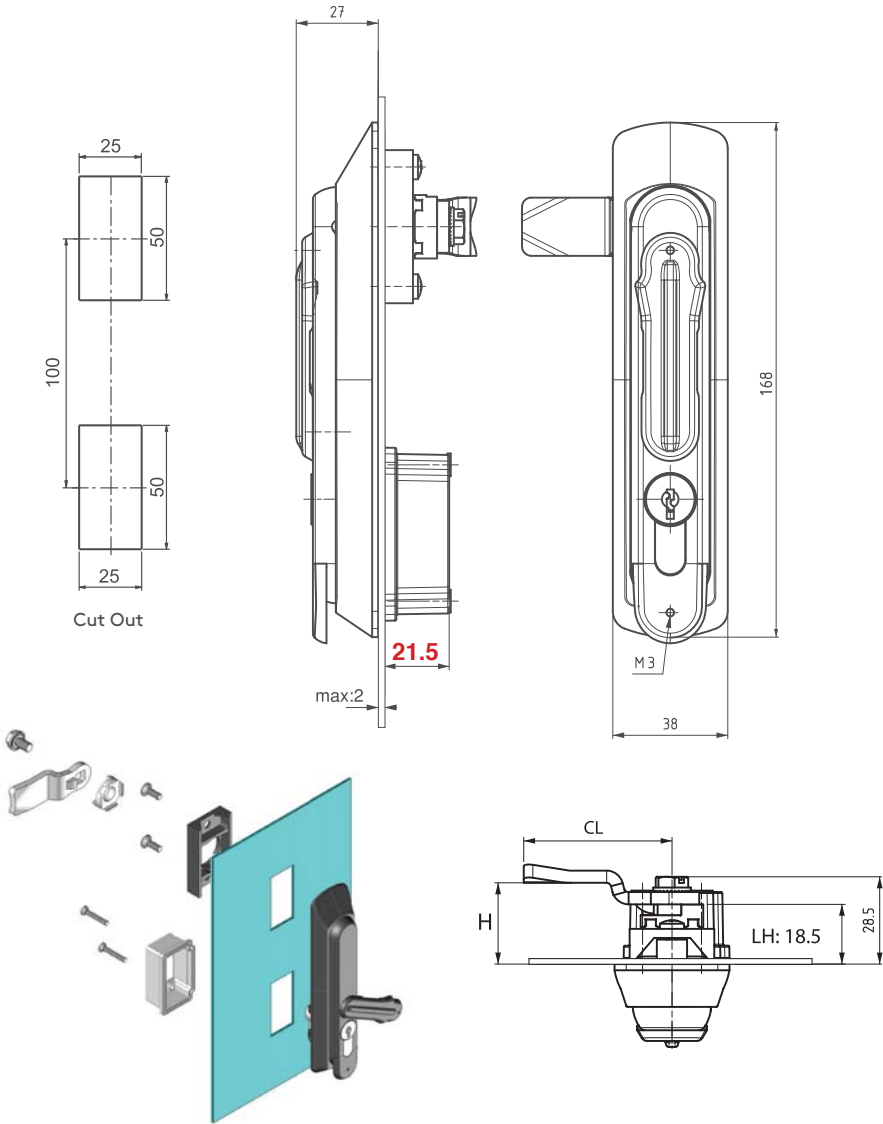
MATERIAL	M	FINISH	F
Zinc Alloy	1	Chrome	1
		Black coated	2

Zinc Alloy CYLINDER	DD
Keyed alike (Stainless steel dust cap)	03
Keyed differ (Stainless steel dust cap)	32
CH751 (Stainless steel dust cap)	07

HIGH-SECURITY CYLINDER			
Brass cylinder		Zinc Alloy cylinder	
Keyed alike	Keyed differ	Keyed alike	Keyed differ
20	21	22	23

BRASS CYLINDER	DD
No cylinder	00
Keyed alike	11

- For cams please check pages: 170 - 171
- For rods please check pages: 178 - 188
- For keys please check pages: 189 - 191



## 601 SWINGHANDLE

ALL IN METAL

- 
- 
- 
- 
- 
- 
- 
- 



- All metal construction
- Swinghandle for steel and polyester cabinets
- 40 mm Euro Profile single -cylinder fitted
- Improved corrosion resistance
- High-security, brass, Euro Profile single-cylinder available

**MATERIAL**  
**BODY:** Zinc Alloy DIN-EN 1774-ZnAl4Cu1  
**HANDLE:** Zinc Alloy DIN-EN 1774-ZnAl4Cu1  
**COVER:** Zinc Alloy DIN-EN 1774-ZnAl4Cu1  
**SEAL:** Polyurethane


### PRODUCT CODE



601 - 1 F - 1 F - DD - CC - 1

GROUP CODE | HANDLE | BODY | CYLINDER | CAM | For padlock only




FINISH | MATERIAL | FINISH | MATERIAL

MATERIAL	M	FINISH	F
Zinc Alloy	1	Chrome	1
		Black coated	2

 Padlock application

Zinc Alloy CYLINDER		DD
	Keyed alike (Stainless steel dust cap)	03
	Keyed differ (Stainless steel dust cap)	32
	CH751 (Stainless steel dust cap)	07
BRASS CYLINDER		DD
	No cylinder	00
	Keyed alike	11

HIGH-SECURITY CYLINDER			
Brass cylinder		Zinc Alloy cylinder	
			
20	21	22	23

-  For cams please check pages: 170 - 171
-  For rods please check pages: 178- 188
-  For keys please check pages: 189 - 191

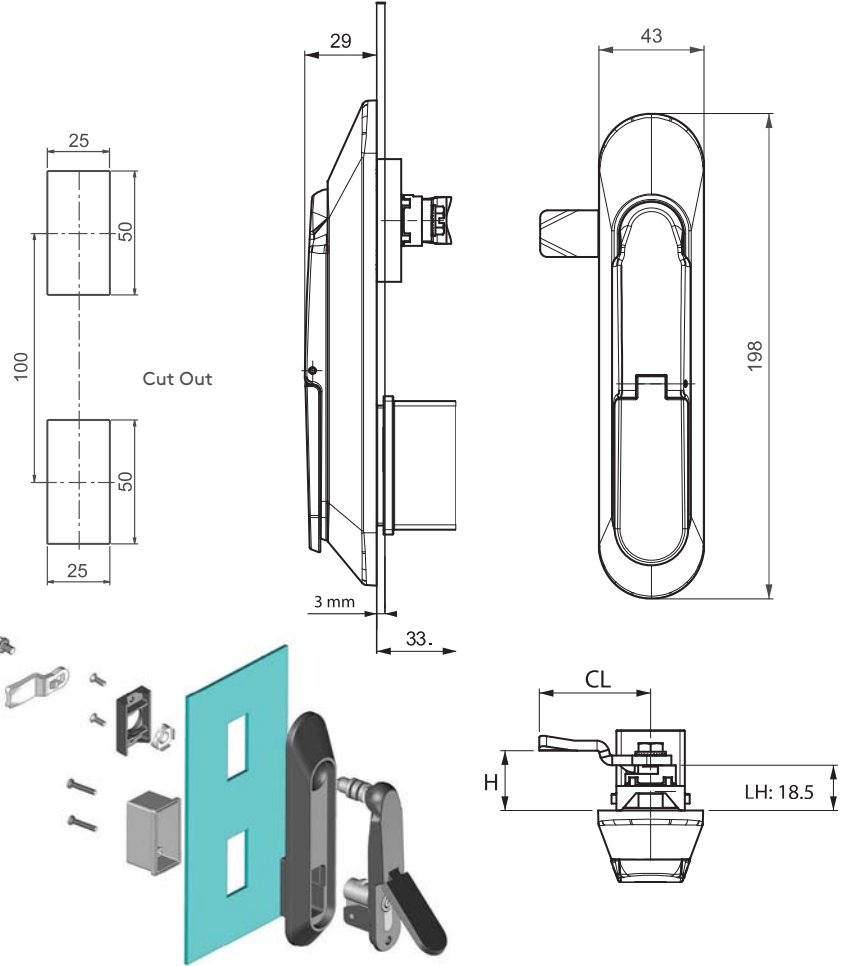


**SWINGHANDLE 408**

ALL IN METAL



- RoHS
- IP 66 NEMA 4X

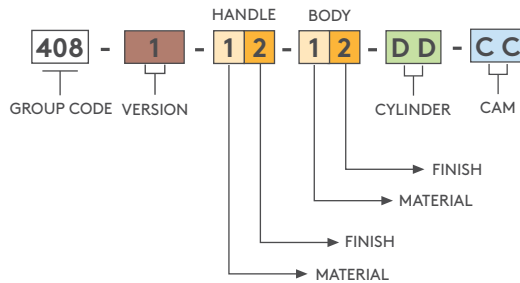


- All metal construction
- Special geometry protects against vandalism
- Double o-ring handle improves IP rating
- High-security cylinder alternative available
- Improved IP rating with moving dust cap

**MATERIAL**

**BODY:** Zinc Alloy DIN-EN 1774-ZnAl4Cu1  
**HANDLE:** Zinc Alloy DIN-EN 1774-ZnAl4Cu1  
**CAM:** Steel  
**SEAL:** Polyurethane  
**COVER:** Zinc Alloy DIN-EN 1774-ZnAl4Cu1

**PRODUCT CODE**



CYLINDER TYPE		DD
	Keyed alike (Stainless steel dust cap)	03
	Keyed differ (Stainless steel dust cap)	32
	Master system	04
	Euro key (5333)	05
	CH751 (Stainless steel dust cap)	07

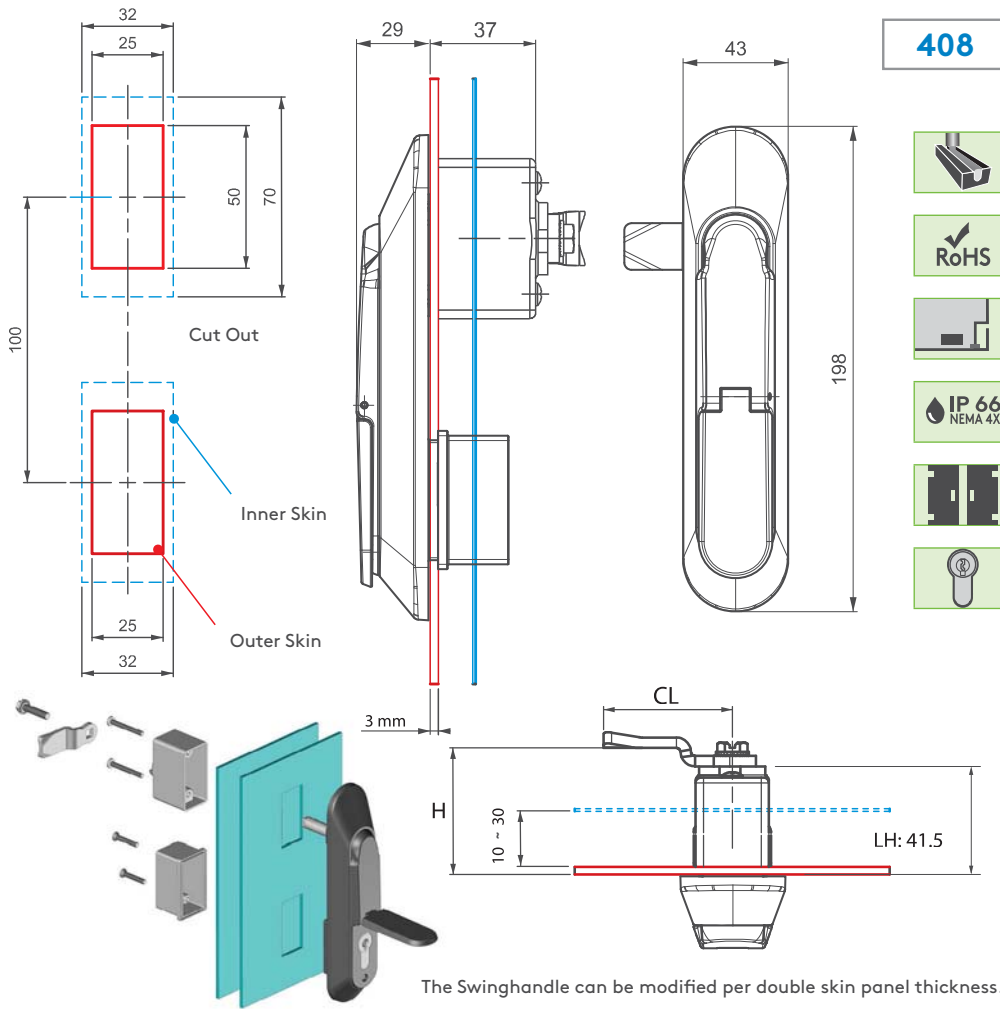
MATERIAL	M
Zinc Alloy	1

FINISH	F
Black coated	2

DRIVER/TOOL TYPE			
5 mm Double bit	8 mm Square	9 mm Triangular	Eastern
15	28	39	91

HIGH-SECURITY CYLINDER	
Zinc Alloy cylinder	
Keyed alike	Keyed differ
22	23

- For cams please check pages: 170 - 171
- For rods please check pages: 178 - 188
- For keys please check pages: 189 - 191



The Swinghandle can be modified per double skin panel thickness.

**408**

## SWINGHANDLE

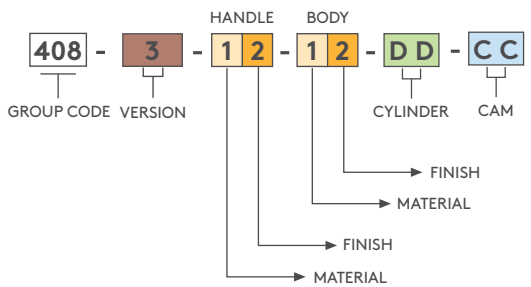
ALL IN METAL

- 
- 
- 
- 
- 
- 



- All metal construction
- Special geometry for protection against vandalism
- Double o-ring handle improves IP rating
- High-security cylinder alternative
- Improves IP rating with moving dust cap

### PRODUCT CODE




MATERIAL	M
Zinc Alloy	1

FINISH	F
Black coated	2




### MATERIAL

- BODY:** Zinc Alloy DIN-EN 1774-ZnAl4Cu1
- HANDLE:** Zinc Alloy DIN-EN 1774-ZnAl4Cu1
- CAM:** Steel
- SEAL:** Polyurethane
- COVER:** Zinc Alloy DIN-EN 1774-ZnAl4Cu1

CYLINDER TYPE		DD
	Keyed alike (Stainless steel dust cap)	03
	Keyed differ (Stainless steel dust cap)	32
	Master System	04
	Euro Key (5333)	05
	CH751 (Stainless steel dust cap)	07

DRIVER/TOOL TYPE			
5 mm Double bit	8 mm Square	9 mm Triangular	Eastern
			
15	28	39	91

HIGH SECURITY CYLINDER	
Zinc Alloy cylinder	
	
Keyed alike	Keyed differ
22	23

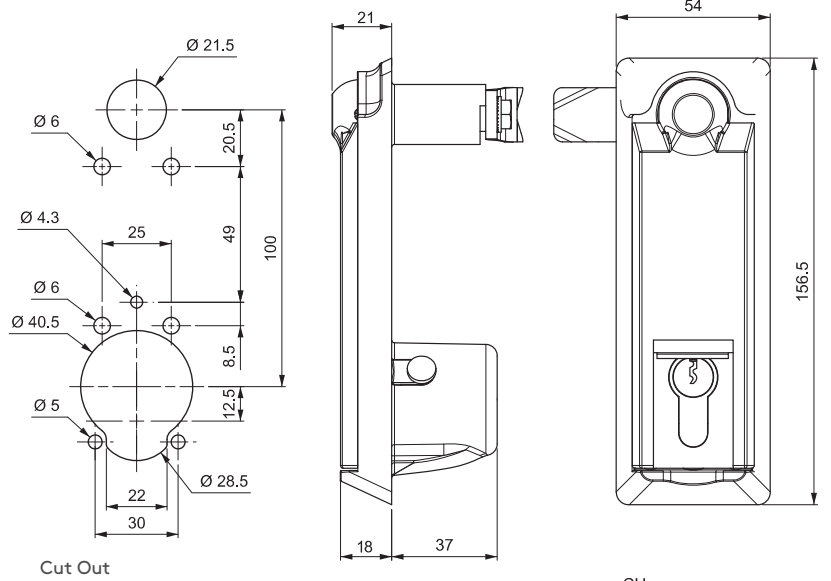
-  For cams please check pages: 170 - 171
-  For rods please check pages: 178 - 188
-  For keys please check pages: 189 - 191

**SWINGHANDLE** 105

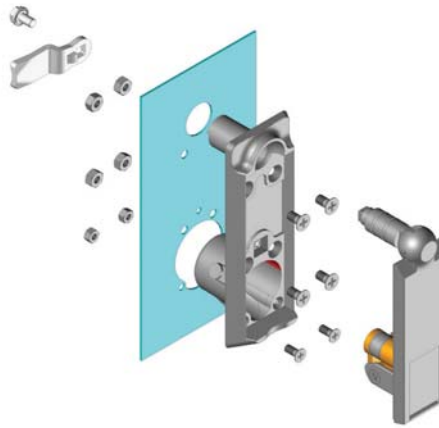
ALL IN METAL



-  RoHS
-  IP 65  
NEMA 4
- 
- 



Cut Out

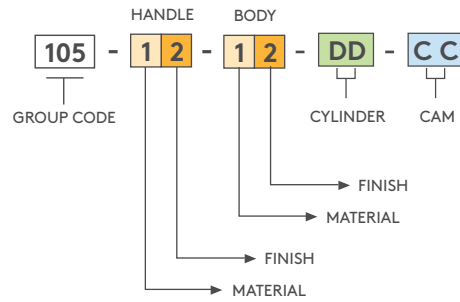



- All metal construction
- Improved corrosion resistance
- Double o-ring used for handle provides improved IP rating
- High security cylinder alternative
- Better IP rating with moving dust cap



**MATERIAL**

**BODY:** Zinc Alloy DIN-EN 774-ZnAl4Cu13  
**HANDLE:** Zinc Alloy DIN-EN 1774-ZnAl4Cu1  
**CAM:** Stainless Steel  
**SEAL:** Polyurethane  
**DUST CAP:** Stainless Steel

**PRODUCT CODE**



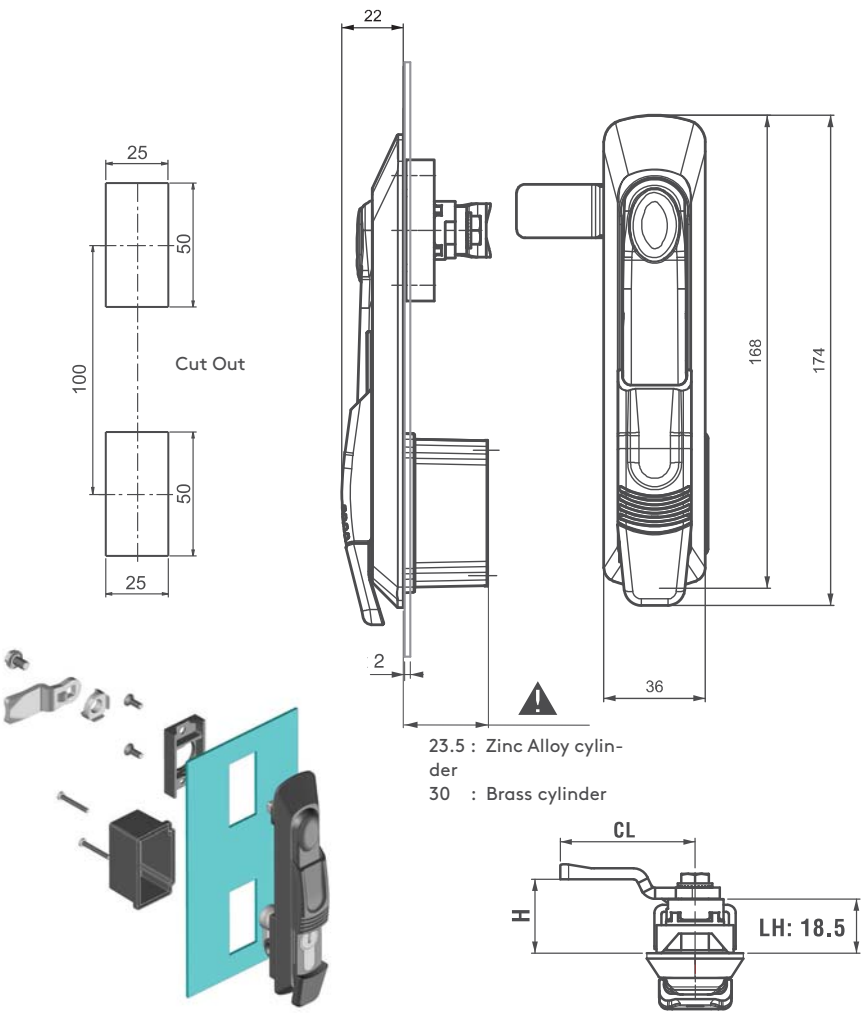
BRASS CYLINDER		DD
	No Cylinder	00
	Keyed Alike	11

 For cams please check pages: 170 - 171  
 For rods please check pages: 178- 188



206

SWINGHANDLE



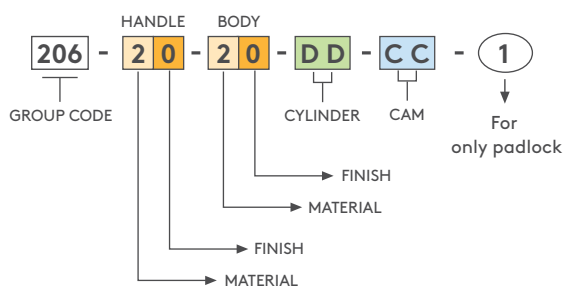
- RoHS
- IP 65 NEMA 4
- 
- 



- Sliding dust cover
- Ergonomic handle
- Padlockable version available
- 40 mm Euro Profile cylinder fitted

**MATERIAL**  
 BODY: Polyamide DIN-EN ISO 1043-1 PA6 GFR 30  
 HANDLE: Polyamide DIN-EN ISO 1043-1 PA6 GFR 30  
 CAM: Steel  
 SEAL: Polyurethane

PRODUCT CODE



CYLINDER TYPE		DD
	Keyed alike (Stainless steel dust cap)	03
	Keyed differ (Stainless steel dust cap)	32
	Master system	04
	Euro key (5333)	05
	CH751 (Stainless steel dust cap)	07

DRIVER TYPE			
5 mm Double bit	8 mm Square	9 mm Triangular	Eastern
15	28	39	91

NO CYLINDER	DD
Plastic blind cylinder	24



1

Padlock application  
 Special sliding cover is available for padlockable version

- For cams please check pages: 170 - 171
- For rods please check pages: 178- 188
- For keys please check pages: 189 - 191

## SWINGHANDLE

**306**

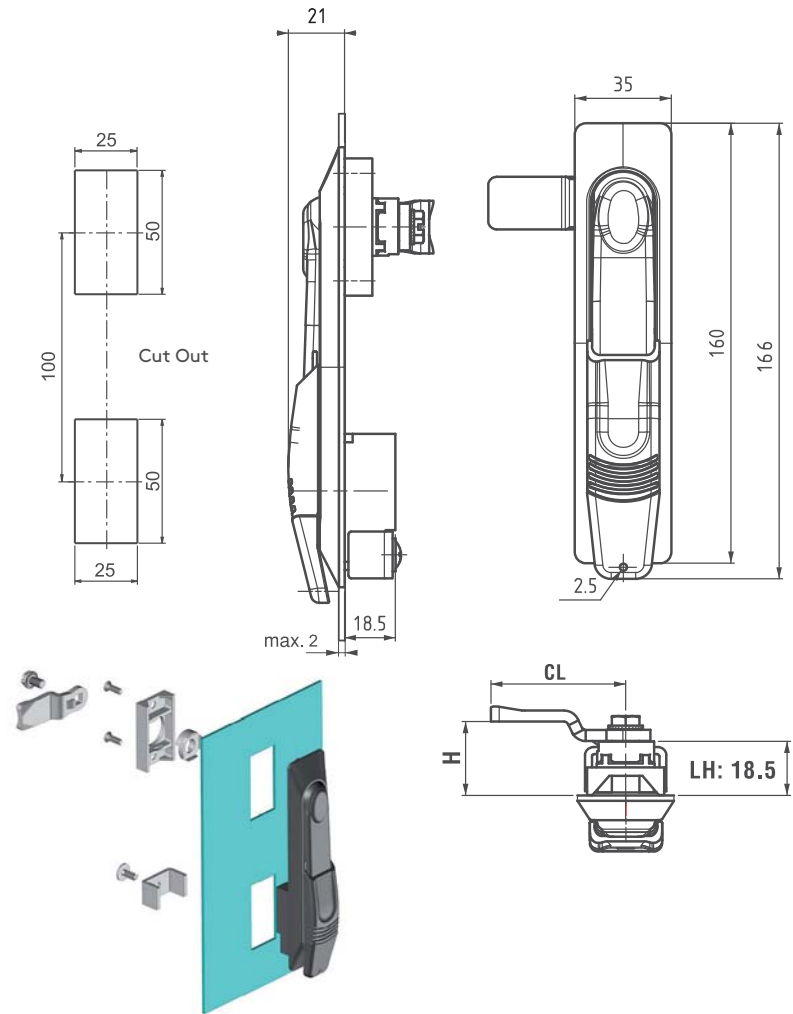


- RoHS
- IP 65  
NEMA 4
- 

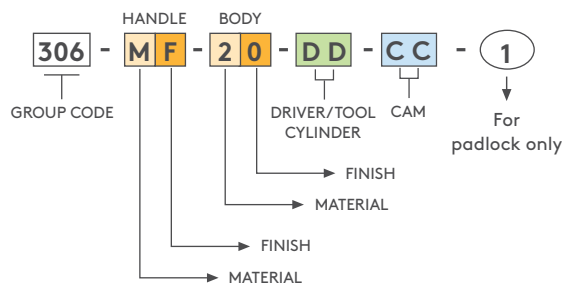
- Sliding dust cover
- Ergonomic handle
- Padlockable version available

### MATERIAL

**BODY:** Polyamide DIN-EN ISO 1043-1 PA6 GFR 30  
**HANDLE:** PA6 GFR 30 or Zinc Alloy  
**CAM:** Steel - PA6 GFR 30  
**SEAL:** Polyurethane



### PRODUCT CODE



### Padlock application

Special sliding cover is available for padlockable version

For cams please check pages: 170 - 171

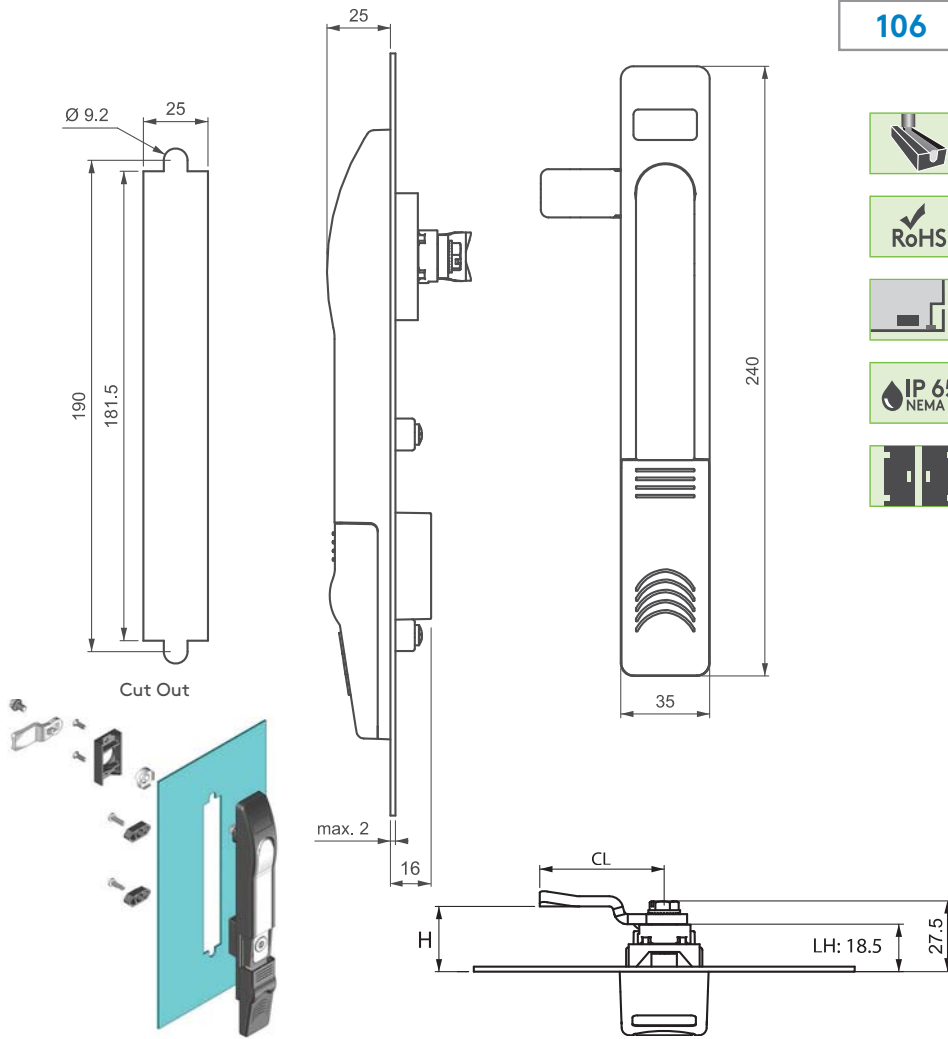
For rods please check pages: 178 - 188

DRIVER/TOOL		
5 mm Double bit	8 mm Square	9 mm Triangular
15	28	39

MATERIAL	M
Zinc Alloy	1
Plastic	2

FINISH	F
Chrome	1
Black coated	2

CYLINDER TYPE		DD
	Keyed alike (Stainless steel dust cap)	03
	Keyed differ (Stainless steel dust cap)	32
	Euro key (5333)	05
	CH751 (Stainless steel dust cap)	07



106

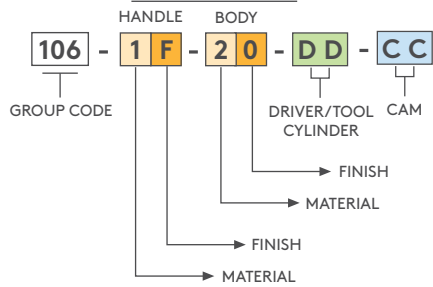
SWINGHANDLE

- 
- 
- 
- 
- 






- More suitable for indoor applications
- Spring-loaded, slam-action swinghandle
- Sliding dust cover
- Suited for outside gasketing application

PRODUCT CODE



MATERIAL


- BODY: Polyamide DIN-EN ISO 1043-1 PA6 GFR 30
- HANDLE: Zinc Alloy DIN-EN 1774-ZnAl4Cu1
- CAM: Steel
- SEAL: Polyurethane




DRIVER/TOOL		
5 mm Double bit	8 mm Square	9 mm Triangular
		
15	28	39

MATERIAL	M
Zinc Alloy	1
Plastic	2

FINISH	F
Chrome	1
Black coated	2

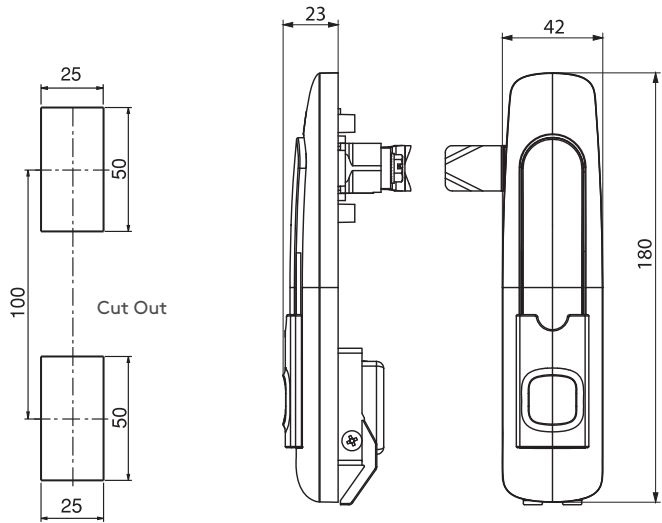
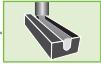
CYLINDER TYPE		DD
	Keyed alike (Stainless steel dust cap)	03
	Keyed differ (Stainless steel dust cap)	32
	Euro key (5333)	05
	CH751 (Stainless steel dust cap)	07

-  For cams please check pages: 170 - 171
-  For rods please check pages: 178- 188
-  For keys please check pages: 189 - 191

# SWINGHANDLES

## MODULAR SYSTEM SWINGHANDLE

406

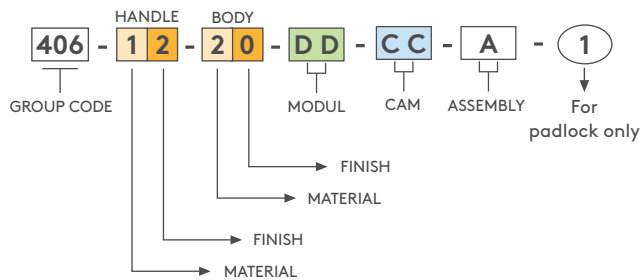


- Swing handle has a modular lock structure allows easy modification for customer requests
- Lock and modules could be ordered separately
- Single point locking and gearbox option is possible on same lock by an adaptor
- Padlock is optional
- Easy fixing option by plastic clips

### MATERIAL

**BODY:** PA6 GFR 30  
**HANDLE:** Zinc Alloy DIN-EN 1774-ZnAl4Cu1  
**CAM:** Steel  
**SEAL:** Polyurethane

### PRODUCT CODE



MATERIAL	M
Zinc Alloy	1
Plastic	2


FINISH	F
No finish	0
Black coated	2








1

Padlock application

- For cams please check pages: 172 - 173
- For rods please check pages: 178 - 188
- For keys please check pages: 189 - 191

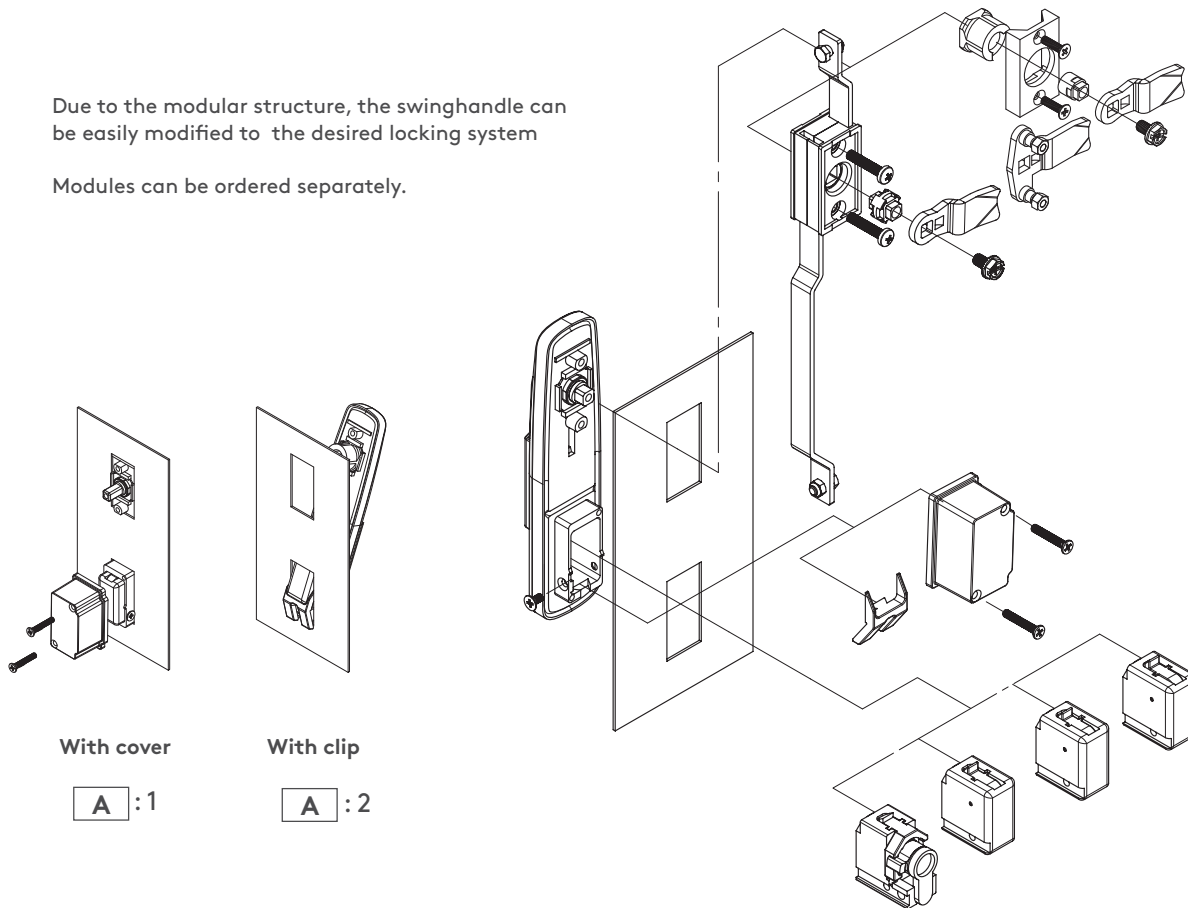
	CYLINDER TYPE		DD	Item code:
	Stainless steel dust cap (Keyed alike)	03	MDL03	
	Stainless steel dust cap (Keyed differ)	32	MDL32	
	Euro key (5333)	05	MDL05	
	CH751 (Stainless steel dust cap)	07	MDL07	

DRIVER/TOOL	DRIVER/TOOL	DRIVER/TOOL	DRIVER/TOOL	DRIVER/TOOL	DRIVER/TOOL	DRIVER/TOOL	DRIVER/TOOL	DRIVER/TOOL	DRIVER/TOOL
5 mm Double bit	8 mm Square	9 mm Triangular	Zinc Alloy	Brass (keyed alike)					
									
15	28	39	55	11					
MDL15	MDL28	MDL39	MDL55	MDL11					



Due to the modular structure, the swinghandle can be easily modified to the desired locking system

Modules can be ordered separately.



With cover

A :1

With clip

A :2

The set items can be ordered separately with their codes in below



MLS01

1-SET:

- Body
- Handle
- Dust cap
- Shaft



MLS02

1-SET:

- Plastic Mechanism
- Screws
- Cam Adapter

For multi point locking



MLS03

1-SET:

- Plastic Fixed Part
- Screws
- Cam Adapter

For single point locking



MDLXX

MODULES

- MDLXX

Please check the previous page



MLS05

1-SET:

- Plastic Fixed Part
- Screws

With this set the handle meet IP 65 specs.



320.02.246

1-PCS

- Clip-in part

With this clip-in part mounting time reduces by %50



CAMS

Please check the cams page 172-173



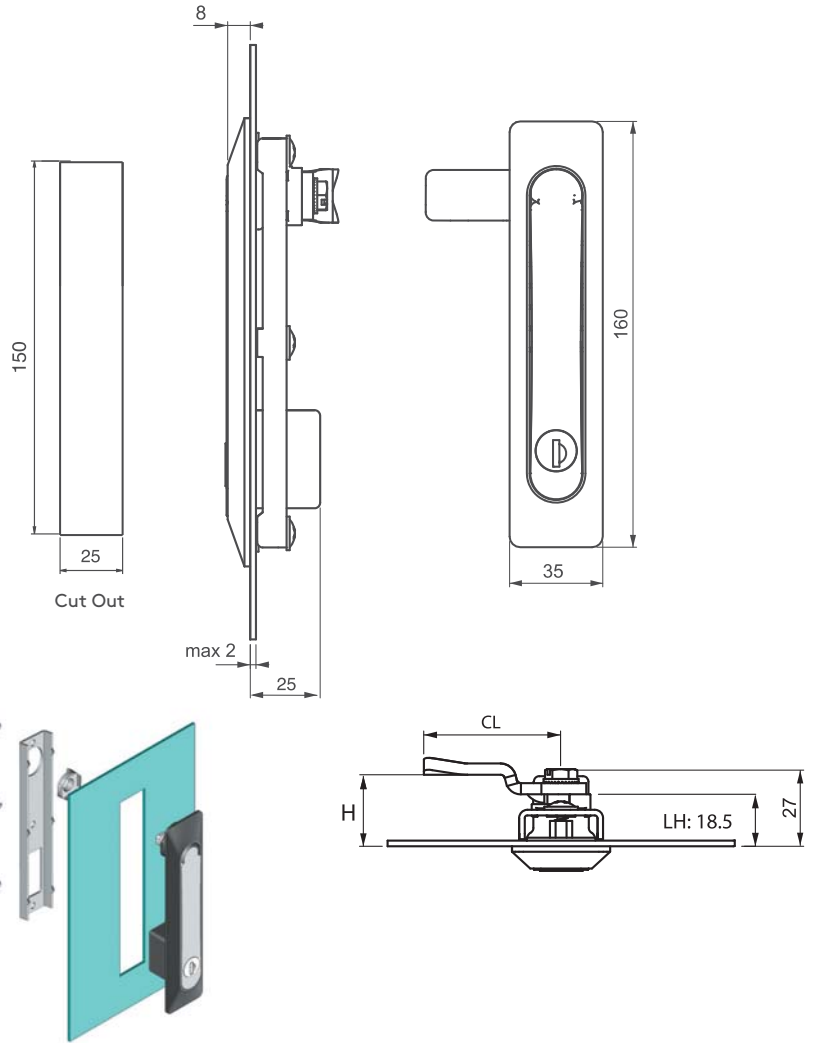
# SWINGHANDLES

## SWINGHANDLE

008



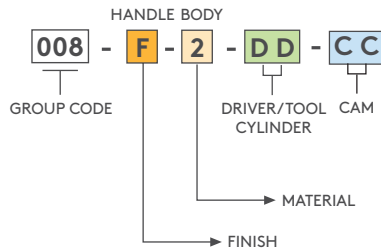
- 
- 
- 
- 
- 



- Cut out 25 mm x 150 mm
- Steel fixing bracket for improved stability and grounding
- Ultra-low external profile, 8 mm, for flush appearance
- Spring-loaded, slam-action swinghandle

**MATERIAL**  
**BODY:** Polyamide DIN-EN ISO 1043-1 PA6 GFR 30  
**HANDLE:** Zinc Alloy DIN-EN 1774-ZnAl4Cu1  
**CAM:** Steel or PA6 GFR 30  
**SEAL:** Polyurethane

### PRODUCT CODE



MATERIAL	M
Plastic	2

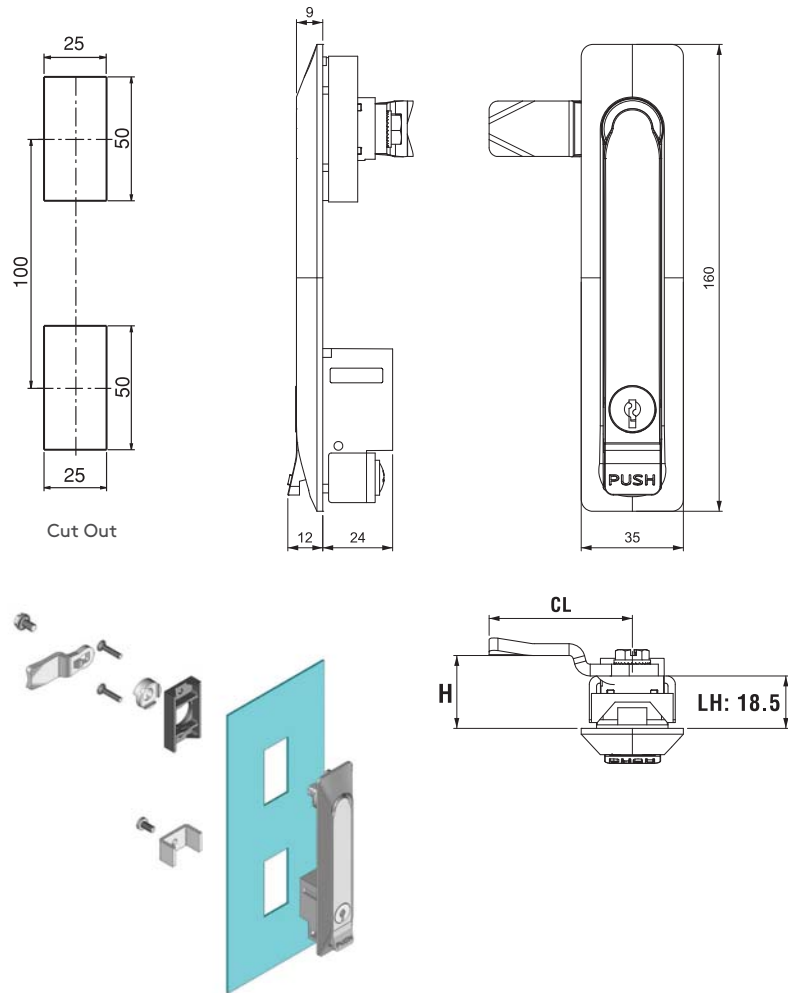
FINISH	F
Chrome	1
Black coated	2

HIGH-SECURITY CYLINDER	
Keyed alike	Keyed differ
20	21

DRIVER/TOOL		
5 mm Double bit	8 mm Square	9 mm Triangular
15	28	39

CYLINDER TYPE		DD
	Keyed alike (Stainless steel dust cap)	03
	Keyed differ (Stainless steel dust cap)	32
	Master system	04
	Euro key (5333)	05
	CH751 (Stainless steel dust cap)	07

- For cams please check pages: 170 - 171
- For rods please check pages: 178 - 188
- For keys please check pages: 189 - 191



908

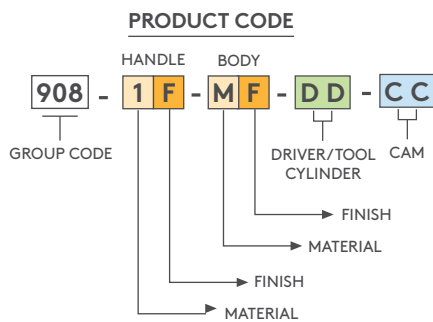
SWINGHANDLE



- Swinghandle with push button
- Standard cut out
- Ultra low external profile, just 9 mm, to give flush appearance

**MATERIAL**

- BODY : Zinc Alloy DIN-EN 1774-ZnAl4Cu1 or PA6 GFR 30
- HANDLE : Zinc Alloy DIN-EN 1774-ZnAl4Cu1
- CAM SEAL : Steel or PA6 GFR 30



MATERIAL	M
Zinc Alloy	1
Plastic	2

FINISH	F
Chrome	1
Black coated	2
No finish	0

**HIGH-SECURITY CYLINDER**

Keyed alike	Keyed differ
20	21

**DRIVER/TOOL**

5 mm Double bit	8 mm Square	9 mm Triangular
15	28	39

**CYLINDER TYPE**

	DD
No Cylinder	00
Keyed alike (Stainless steel dust cap)	03
Keyed differ (Stainless steel dust cap)	32
Master system	04
Euro key (5333)	05
CH751 (Stainless steel dust cap)	07

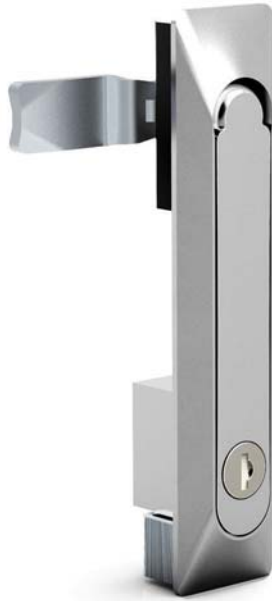


No Cylinder '00'

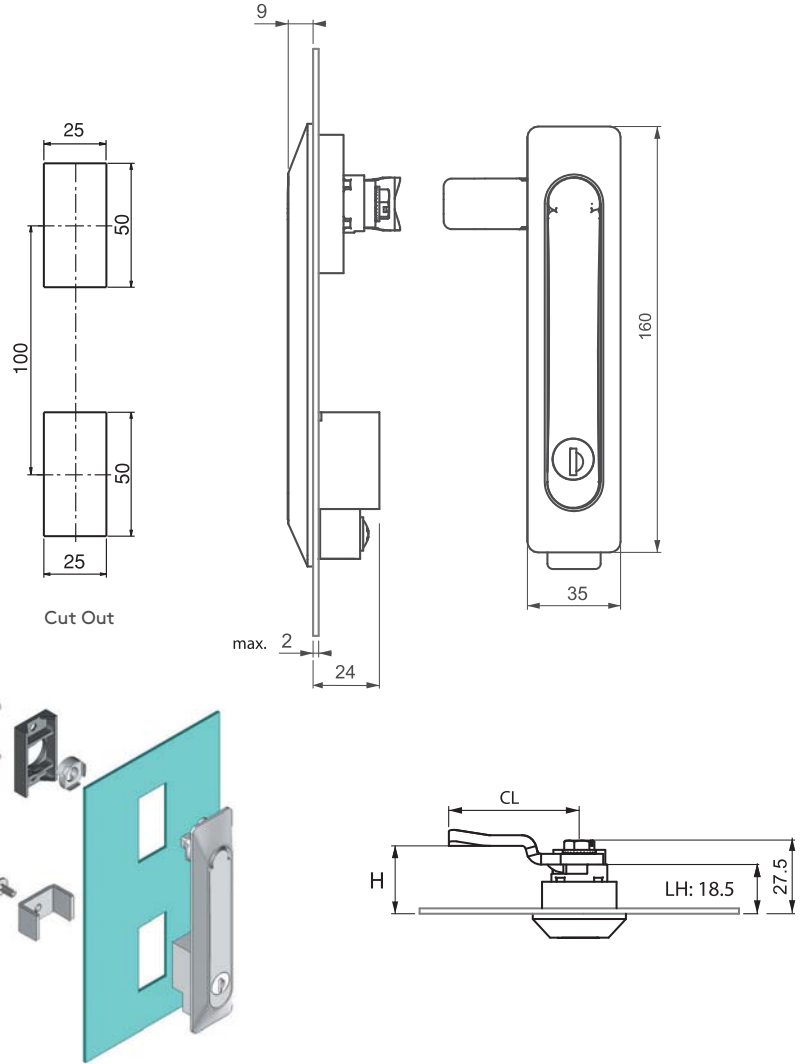
- For cams please check pages: 170 - 171
- For rods please check pages: 178 - 188
- For keys please check pages: 189 - 191

**SWINGHANDLE** 108

ALL IN METAL



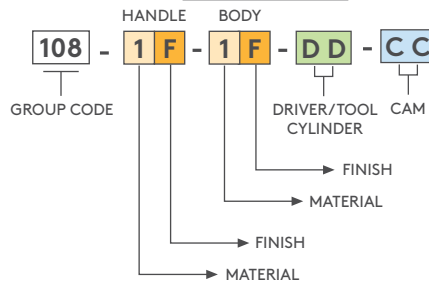
- 
- 



- All metal construction
- Stronger and better looking than polyamide
- Spring-loaded, slam-action swim handle
- For customised colors contact Essentra

**MATERIAL**  
**BODY:** Zinc Alloy DIN-EN 1774-ZnAl4Cu1  
**HANDLE:** Zinc Alloy DIN-EN 1774-ZnAl4Cu1  
**CAM:** Steel or PA6 GFR 30  
**SEAL:** Polyurethane

**PRODUCT CODE**



MATERIAL	M
Zinc Alloy	1

FINISH	F
Chrome	1
Black coated	2

HIGH-SECURITY CYLINDER	
Keyed alike	Keyed differ
20	21

DRIVER/TOOL		
5 mm Double bit	8 mm Square	9 mm Triangular
15	28	39

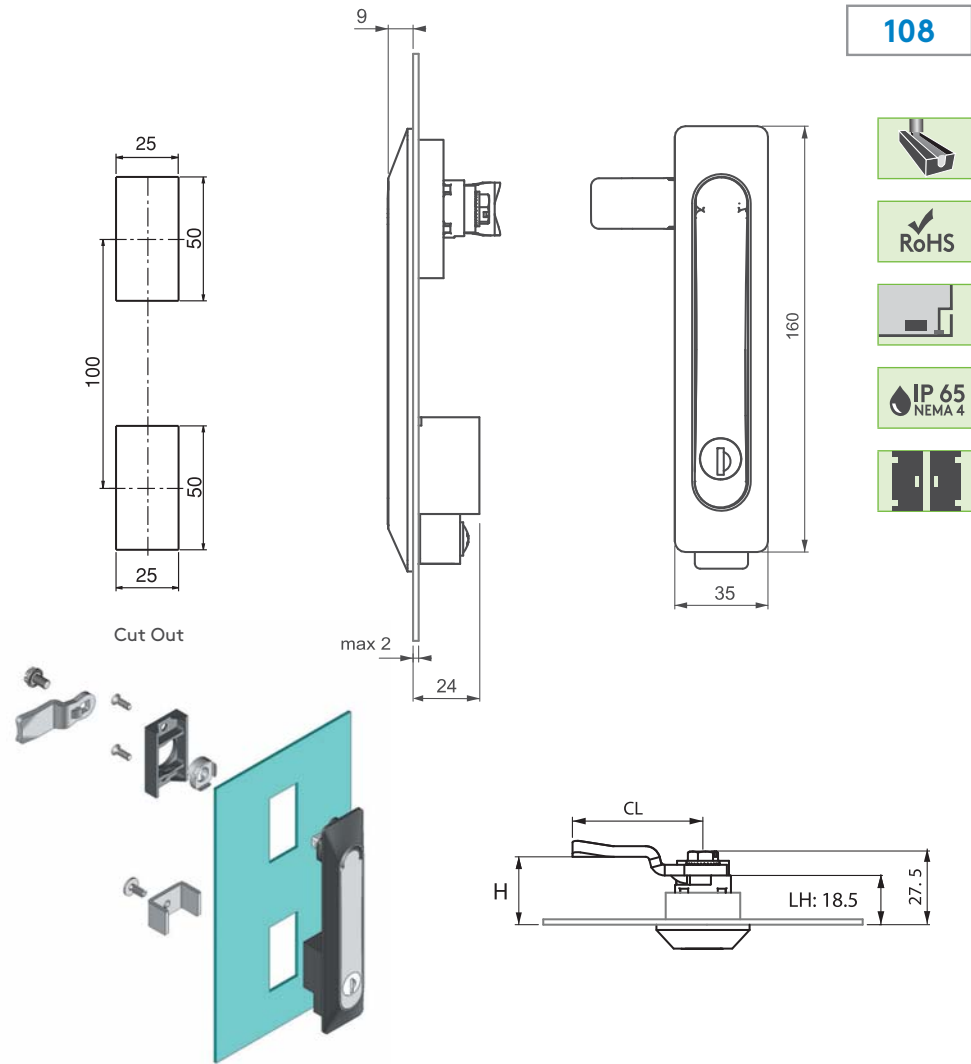
CYLINDER TYPE		DD
	Keyed alike (Stainless steel dust cap)	03
	Keyed differ (Stainless steel dust cap)	32
	Master system	04
	Euro key (5333)	05
	CH751 (Stainless steel dust cap)	07

- For cams please check pages: 170 - 171
- For rods please check pages: 178 - 188
- For keys please check pages: 189 - 191



108

SWINGHANDLE



- 
- 
- 
- 
- 

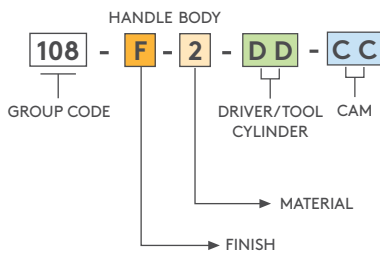


- Standard cut out
- Ultra-low external profile, 9 mm, for flush appearance
- Spring-loaded, slam-action swinghandle

**MATERIAL**

**BODY:** Polyamide DIN-EN ISO 1043-1 PA6 GFR 30  
**HANDLE:** Zinc Alloy DIN-EN 1774-ZnAl4Cu1  
**CAM:** Steel or PA6 GFR 30  
**SEAL:** Polyurethane

**PRODUCT CODE**



MATERIAL	M
Plastic	2

FINISH	F
Chrome	1
Black coated	2

HIGH-SECURITY CYLINDER	
Keyed alike	Keyed differ
20	21

DRIVER/TOOL		
5 mm Double bit	8 mm Square	9 mm Triangular
15	28	39

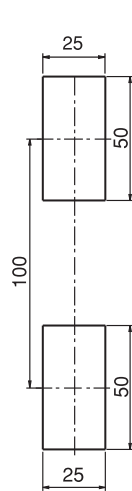
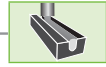
CYLINDER TYPE		DD
	Keyed alike (Stainless steel dust cap)	03
	Keyed differ (Stainless steel dust cap)	32
	Master system	04
	Euro key (5333)	05
	CH751 (Stainless steel dust cap)	07

- For cams please check pages: 170 - 171
- For rods please check pages: 178- 188
- For keys please check pages: 189 - 191

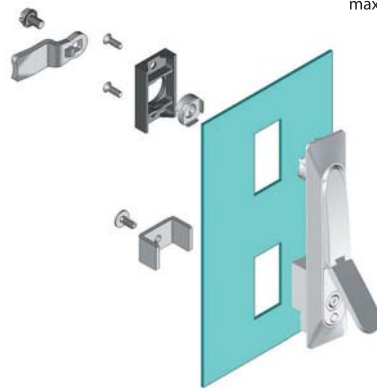
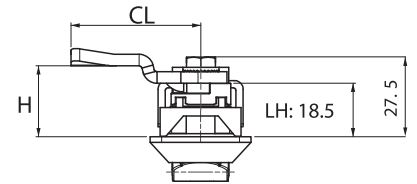
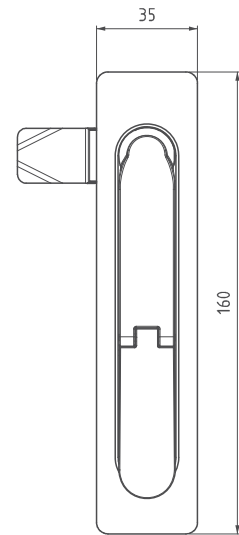
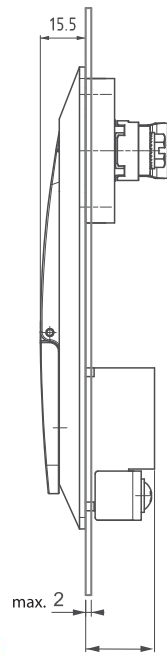
## SWINGHANDLE

108

ALL IN METAL



Cut Out



- All metal construction
- Improved corrosion resistance.
- High-security cylinder alternative
- Improved IP resistance with moving dust cap

### MATERIAL

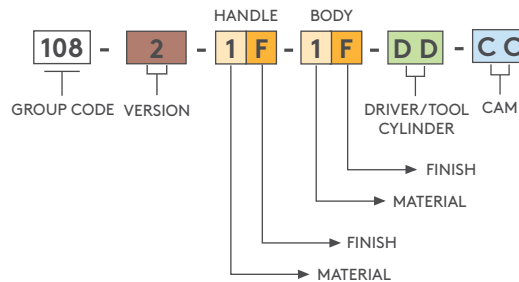
BODY: Zinc Alloy DIN-EN 1774-ZnAl4Cu1

HANDLE: Zinc Alloy DIN-EN 1774-ZnAl4Cu1

CAM: Steel or PA6 GFR 30

SEAL: Polyurethane

### PRODUCT CODE



MATERIAL	M
Zinc Alloy	1

FINISH	F
Chrome	1
Black coated	2

HIGH-SECURITY CYLINDER	
Keyed alike	Keyed differ
20	21

DRIVER/TOOL		
5 mm Double bit	8 mm Square	9 mm Triangular
15	28	39

CYLINDER TYPE		DD
	Keyed alike (Stainless steel dust cap)	03
	Keyed differ (Stainless steel dust cap)	32
	Master system	04
	Euro key (5333)	05
	CH751 (Stainless steel dust cap)	07

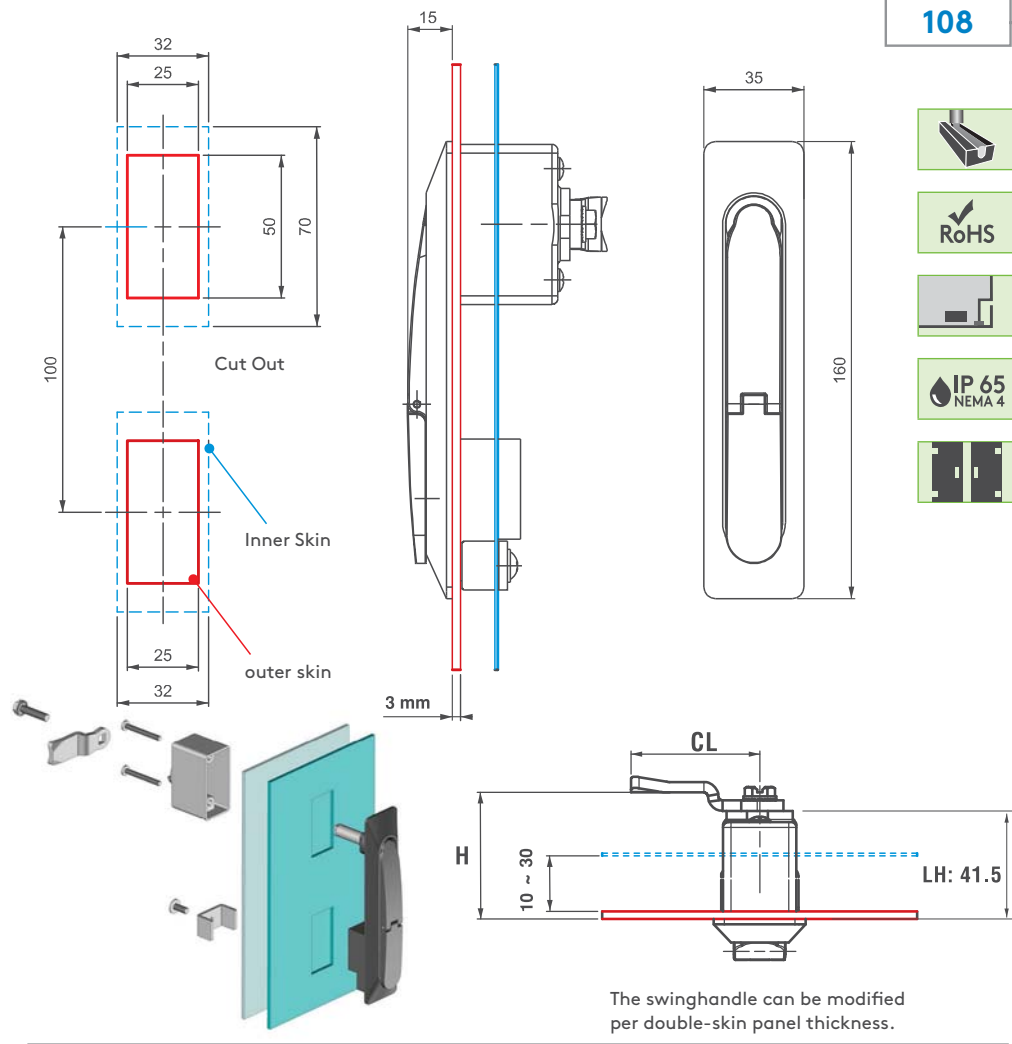
- For cams please check pages: 170 - 171
- For rods please check pages: 178 - 188
- For keys please check pages: 189 - 191

**108**

## SWINGHANDLE

ALL IN METAL

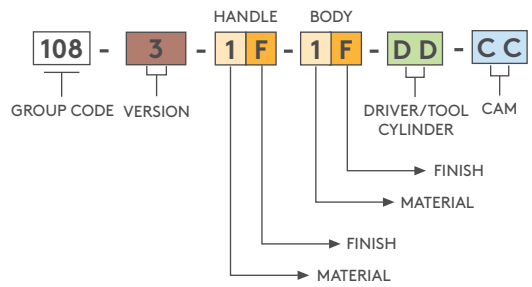
- 
-  RoHS
- 
-  IP 65  
NEMA 4
- 



The swinghandle can be modified per double-skin panel thickness.

- Ideal for double-skin doors and outdoor cabinets
- Improved strength to protect against vandalism
- High-security cylinder with special shaped key prevents unauthorized duplication
- Improved IP resistance with moving dust cap
- Spring-loaded, slam-action swinghandle

### PRODUCT CODE



MATERIAL	M
Zinc Alloy	1

FINISH	F
Chrome	1
Black coated	2

### MATERIAL

- BODY:** Zinc Alloy DIN-EN 1774-ZnAl4Cu1
- HANDLE:** Zinc Alloy DIN-EN 1774-ZnAl4Cu1
- CAM:** Steel or PA6 GFR 30
- SEAL:** Polyurethane




#### HIGH-SECURITY CYLINDER







Keyed alike      Keyed differ

20	21
----	----

#### DRIVER/TOOL

5 mm Double bit	8 mm Square	9 mm Triangular
		
15	28	39

CYLINDER TYPE		DD
	Keyed alike (Stainless steel dust cap)	03
	Keyed differ (Stainless steel dust cap)	32
	Master system	04
	Euro key (5333)	05
	CH751 (Stainless steel dust cap)	07

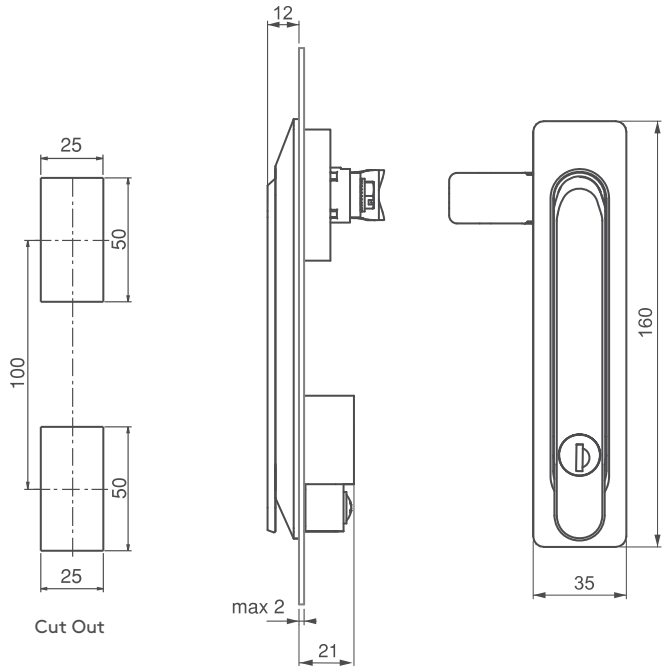
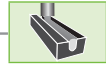
-  For cams please check pages: 170 - 171
-  For rods please check pages: 178 - 188
-  For keys please check pages: 189 - 191



**SWINGHANDLE**

**208**

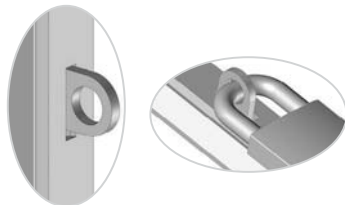
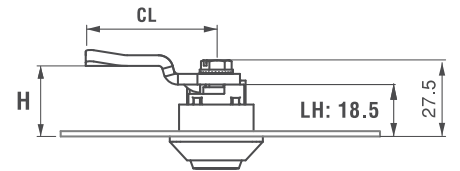
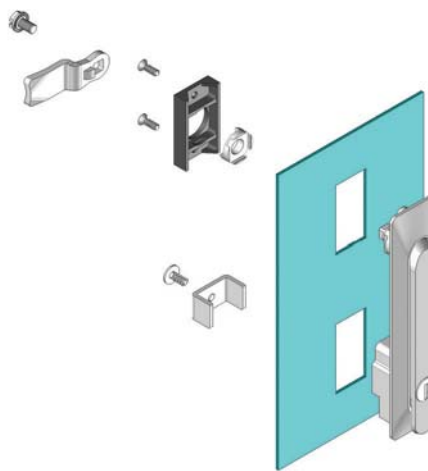
ALL IN METAL



- All metal construction
- Stronger and better looking than polyamide
- Handle is not spring loaded and slam action
- Key can be removed at unlocked position

**MATERIAL**

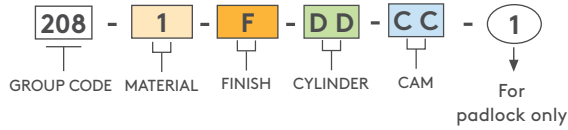
**BODY:** Zinc Alloy DIN-EN 1774-ZnAl4Cu1  
**HANDLE:** Zinc Alloy DIN-EN 1774-ZnAl4Cu1  
**CAM:** Steel or PA6 GFR 30  
**SEAL:** Polyurethane



①

Padlock application

**PRODUCT CODE**



MATERIAL	M
Zinc Alloy	1

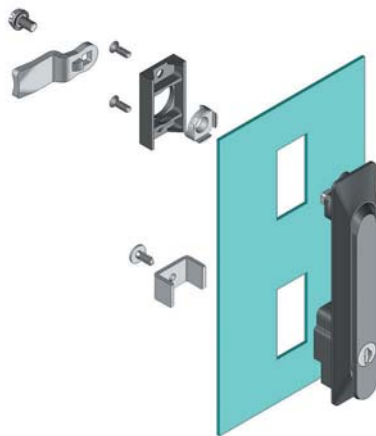
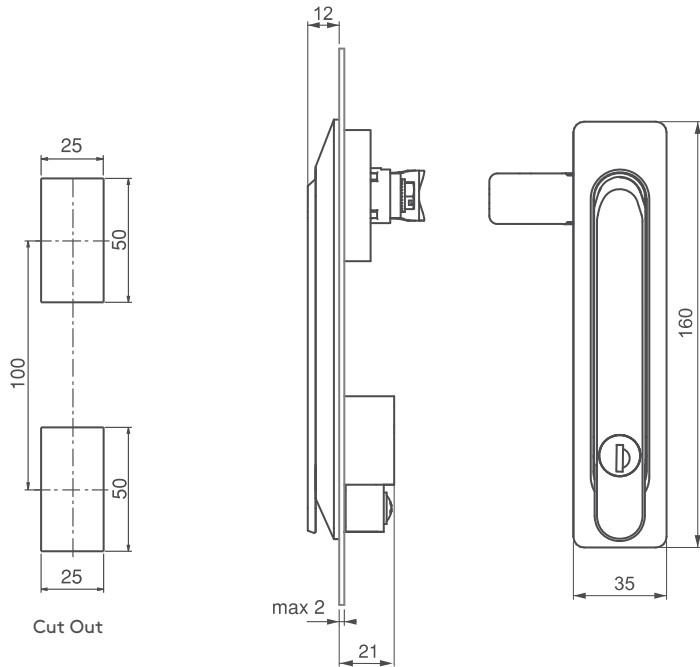
FINISH	F
Chrome	1
Black coated	2

CYLINDER	SPECIFICATIONS	DD
	Keyed alike (Stainless steel dust cap)	03
	Keyed differ (Stainless steel dust cap)	32
	Master system	04
	Euro key (5333)	05
	CH751 (Stainless steel dust cap)	07

For cams please check pages: 170 - 171

For rods please check pages: 178- 188

**208** SWINGHANDLE



- 
- 
- 
- 
- 

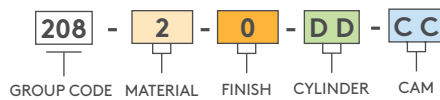



- Can be used for indoor applications
- Offers an economical solution



**MATERIAL**

- BODY: Polyamide DIN-EN ISO 1043-1 PA6 GFR 30
- HANDLE: Polyamide DIN-EN ISO 1043-1 PA6 GFR 30
- CAM: Steel - PA6 GFR 30
- SEAL: Polyurethane

**PRODUCT CODE**



CYLINDER	SPECIFICATIONS	DD
	Keyed alike (Stainless steel dust cap)	03
	Keyed differ (Stainless steel dust cap)	32
	Master system	04
	Euro key (5333)	05
	CH751 (Stainless steel dust cap)	07

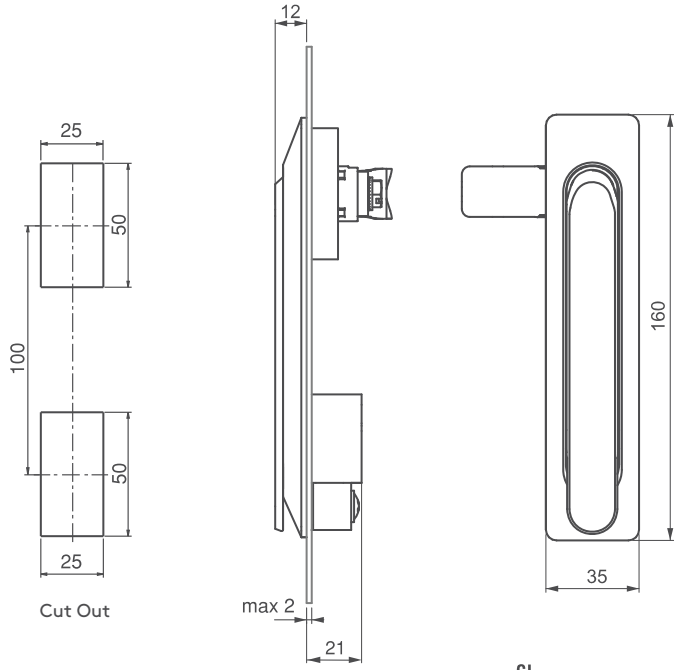
-  For cams please check pages: 170 - 171
-  For rods please check pages: 178- 188

**SWINGHANDLE**

**218**



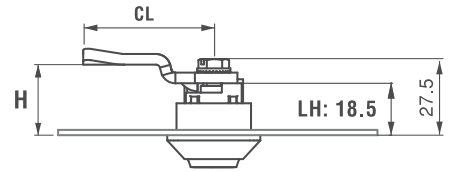
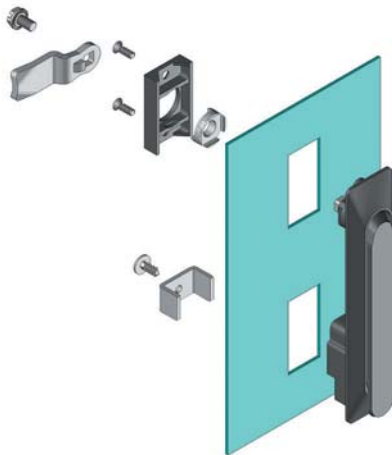
- 
- 
- 
- 



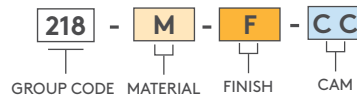
- Concealed special cam on the handle provides fixing
- For indoor and outdoor applications
- Offers an economical solution

**MATERIAL**

**BODY:** Zinc Alloy DIN-EN 1774-ZnAl4Cu1 or PA6 GFR 30  
**HANDLE:** Zinc Alloy DIN-EN 1774-ZnAl4Cu1 or PA6 GFR 30  
**CAM:** Steel or PA6 GFR 30  
**SEAL:** Polyurethane



**PRODUCT CODE**



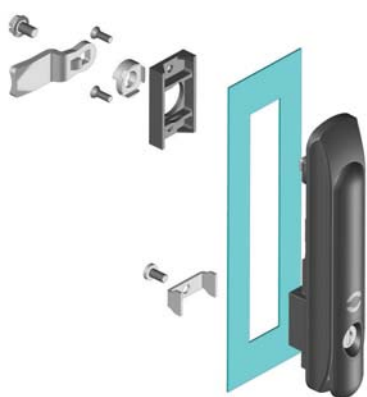
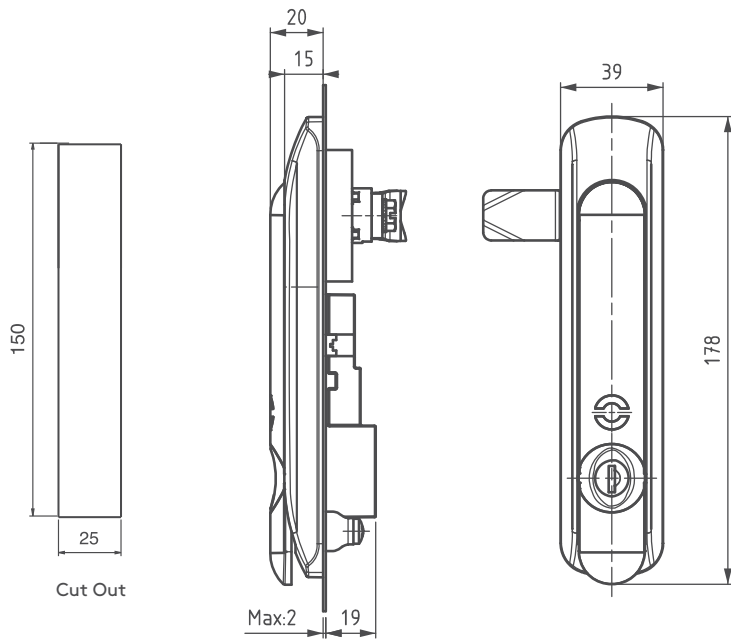
MATERIAL	M	FINISH	F
Zinc Alloy	1	Chrome	1
		Black coated	2
Plastic	2	No finish	0

For cams please check pages: 170 - 171



808

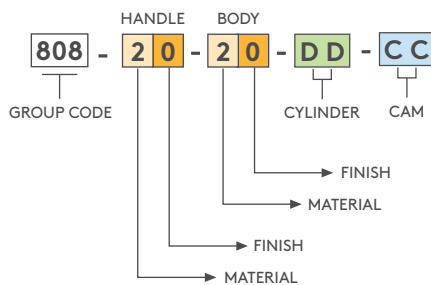
SWINGHANDLE



**MATERIAL**

- BODY: Polyamide DIN-EN ISO 1043-1 PA6 GFR 30
- HANDLE: Polyamide DIN-EN ISO 1043-1 PA6 GFR 30
- CAM: Steel - PA6 GFR 30
- SEAL: Polyurethane

**PRODUCT CODE**



CYLINDER	SPECIFICATIONS	DD
	Keyed alike (Stainless steel dust cap)	03
	Keyed differ (Stainless steel dust cap)	32
	Master system	04
	Euro key (5333)	05
	CH751 (Stainless steel dust cap)	07

For cams please check pages: 170 - 171  
 For rods please check pages: 178 - 188

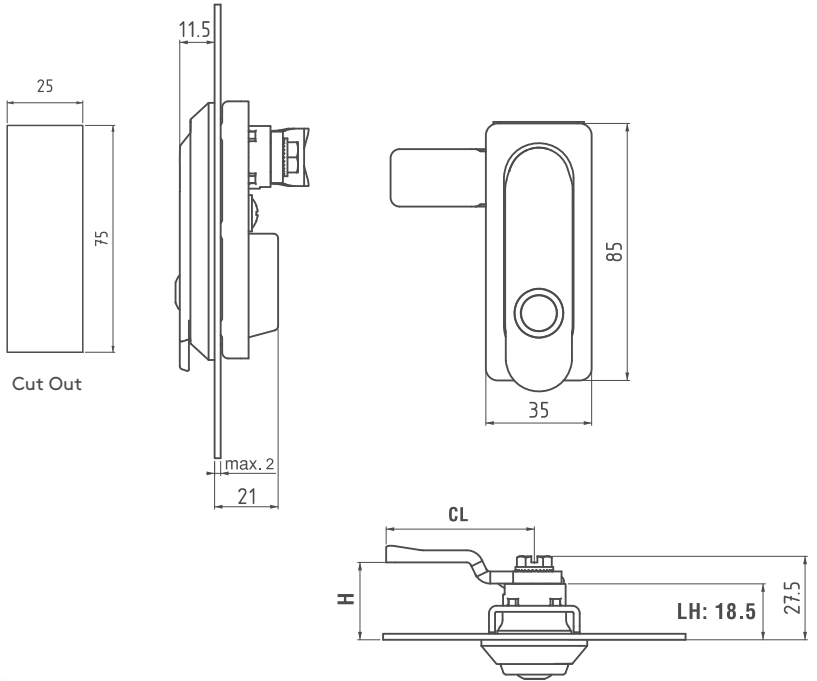
# SWINGHANDLES

## SWINGHANDLE

708



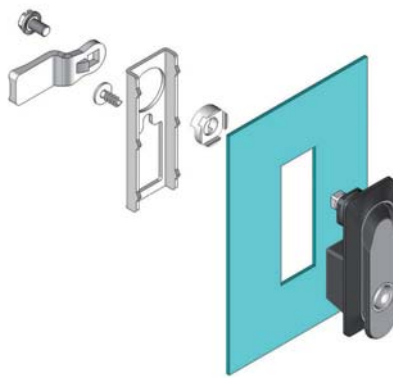
- 
- 
- 
- 
- 



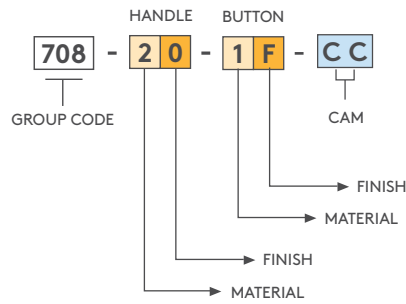
- Can be used for internal applications
- Lock can be opened by pressing the button
- 25 X 75 mm cut out

**MATERIAL**

**BODY:** Polyamide DIN-EN ISO 1043-1 PA6 GFR 30  
**HANDLE:** Polyamide DIN-EN ISO 1043-1 PA6 GFR 30  
**BUTTON:** Zinc Alloy DIN-EN 1774-ZnAl4Cu1  
**CAM:** Steel  
**SEAL:** Rubber



**PRODUCT CODE**



MATERIAL	M	FINISH	F
Zinc Alloy	1	Chrome	1
		Black coated	2
Plastic	2	No finish	0

For cams please check pages: 170 - 171



708

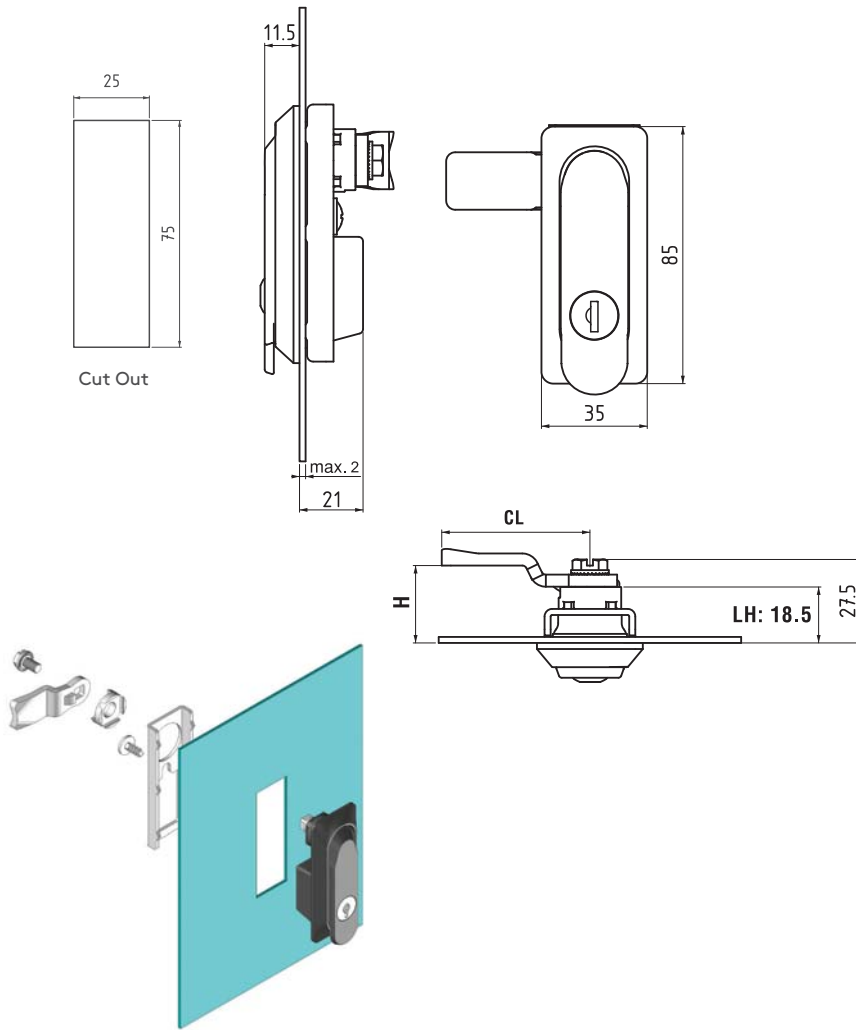
SWINGHANDLE



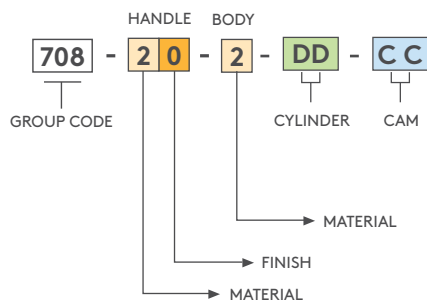
- Can be used for internal applications
- 25 X 75 mm cut out

**MATERIAL**

BODY: Polyamide DIN-EN ISO 1043-1 PA6 GFR 30  
 HANDLE: Polyamide DIN-EN ISO 1043-1 PA6 GFR 30  
 CYLINDER: Zinc Alloy DIN-EN 1774-ZnAl4Cu1  
 CAM: Steel  
 SEAL: Polyurethane



**PRODUCT CODE**



CYLINDER TYPE		DD
	Keyed alike (Stainless steel dust cap)	03
	Keyed differ (Stainless steel dust cap)	32
	Master system	04
	Euro key (5333)	05
	CH751 (Stainless steel dust cap)	07

For cams please check pages: 170 - 171




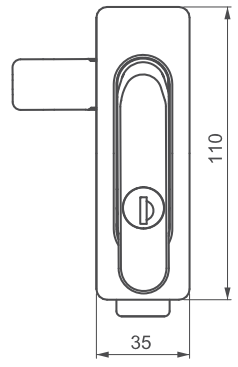
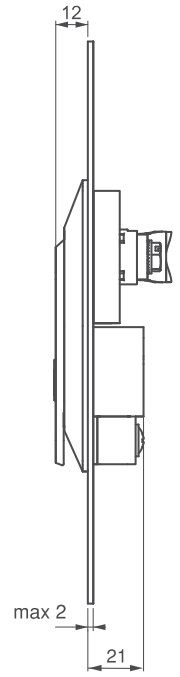
## SWINGHANDLE

SMALL VERSION



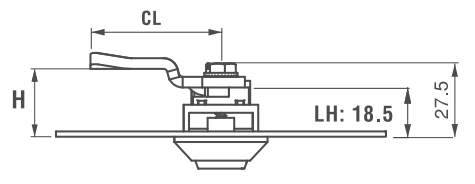
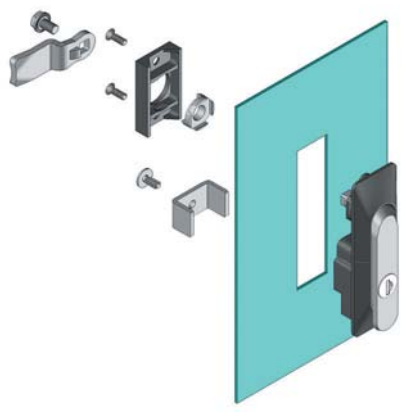
**308**

-  RoHS
-  IP 65 NEMA 4

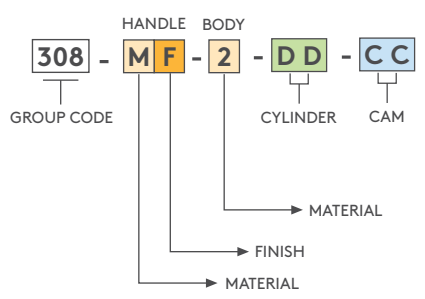


- For indoor and outdoor applications
- 25 mm x 100 mm cut out

**MATERIAL**  
**BODY:** Polyamide DIN-EN ISO 1043-1 PA6 GFR 30  
**HANDLE:** Zinc Alloy DIN-EN 1774-ZnAl4Cu1 or PA6 GFR 30  
**CAM:** Steel  
**SEAL:** Polyurethane



### PRODUCT CODE




FINISH	F
Chrome	1
Black coated	2
No finish	0


MATERIAL	M
Zinc Alloy	1
Plastic	2

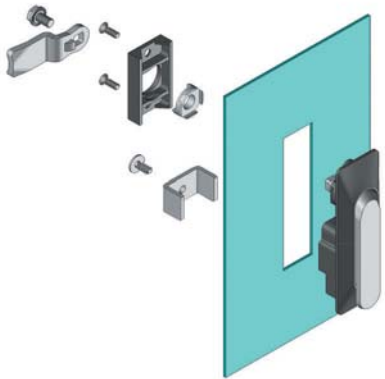
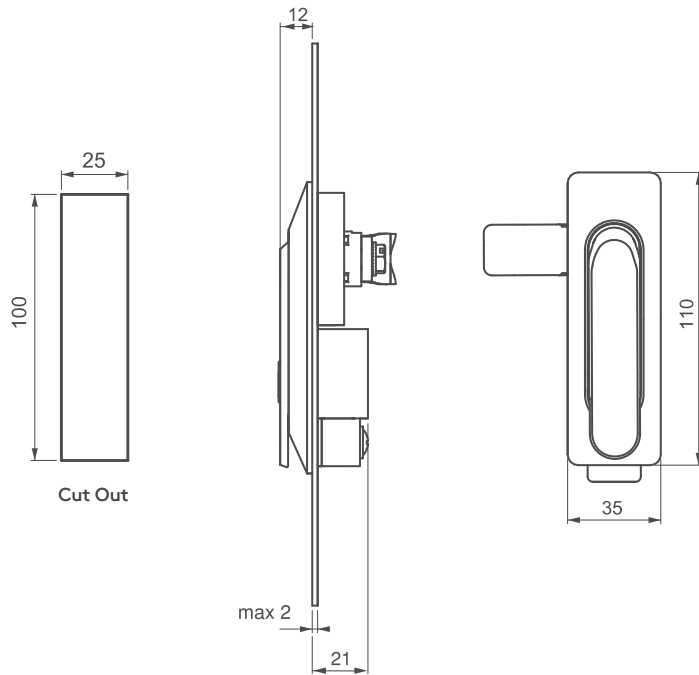
#### HIGH-SECURITY CYLINDER

Keyed alike      Keyed differ

<b>20</b>	<b>21</b>
-----------	-----------

CYLINDER	SPECIFICATIONS	DD
	Keyed alike (Stainless steel dust cap)	<b>03</b>
	Keyed differ (Stainless steel dust cap)	<b>32</b>
	Master system	<b>04</b>
	Euro key (5333)	<b>05</b>
	CH751 (Stainless steel dust cap)	<b>07</b>

 For cams please check pages: 170 - 171



**318**

## SWINGHANDLE

SMALL VERSION

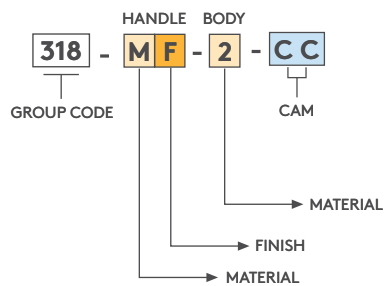


- Concealed special cam on handle for fixing
- For indoor and outdoor applications
- Offers an economical solution
- 25 mm x 100 mm cut out

### MATERIAL

**BODY:** Polyamide DIN-EN ISO 1043-1 PA6 GFR 30  
**HANDLE:** Zinc Alloy DIN-EN 1774-ZnAl4Cu1 or PA6 GFR 30  
**CAM:** Steel - PA6 GFR 30  
**SEAL:** Polyurethane

### PRODUCT CODE



MATERIAL	M
Zinc Alloy	1
Plastic	2

FINISH	F
Chrome	1
Black coated	2
No finish	0

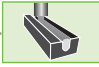



For cams please check pages: 170 - 171

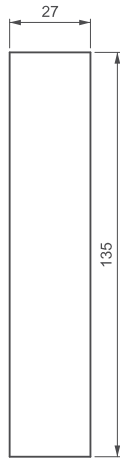
**SWINGHANDLE**

**518**

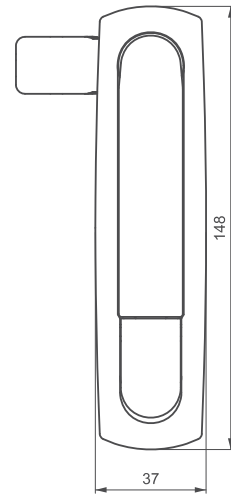
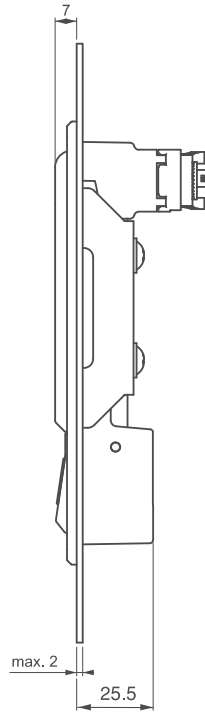
ALL IN METAL



- 
- 
- 
- 



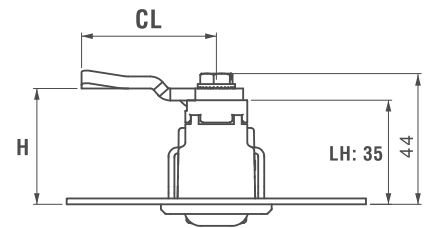
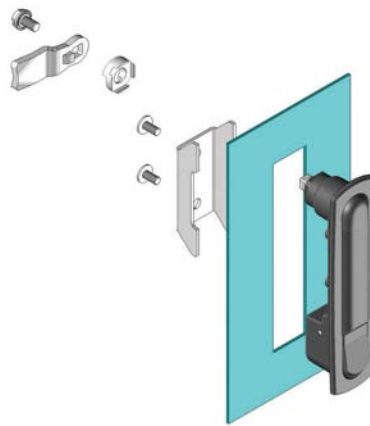
Cut Out



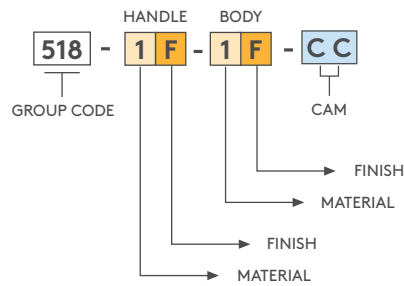
- Swinghande with push button
- Can assemble with one fixing bracket
- Offers an economical solution

**MATERIAL**

**BODY:** Zinc Alloy DIN-EN 1774-ZnAl4Cu1  
**HANDLE:** Zinc Alloy DIN-EN 1774-ZnAl4Cu1  
**CAM:** Steel or PA6 GFR 30  
**SEAL:** Polyurethane



**PRODUCT CODE**



FINISH	F
Chrome	1
Black coated	2

 For cams please check pages: 170 - 171



508

SWINGHANDLE

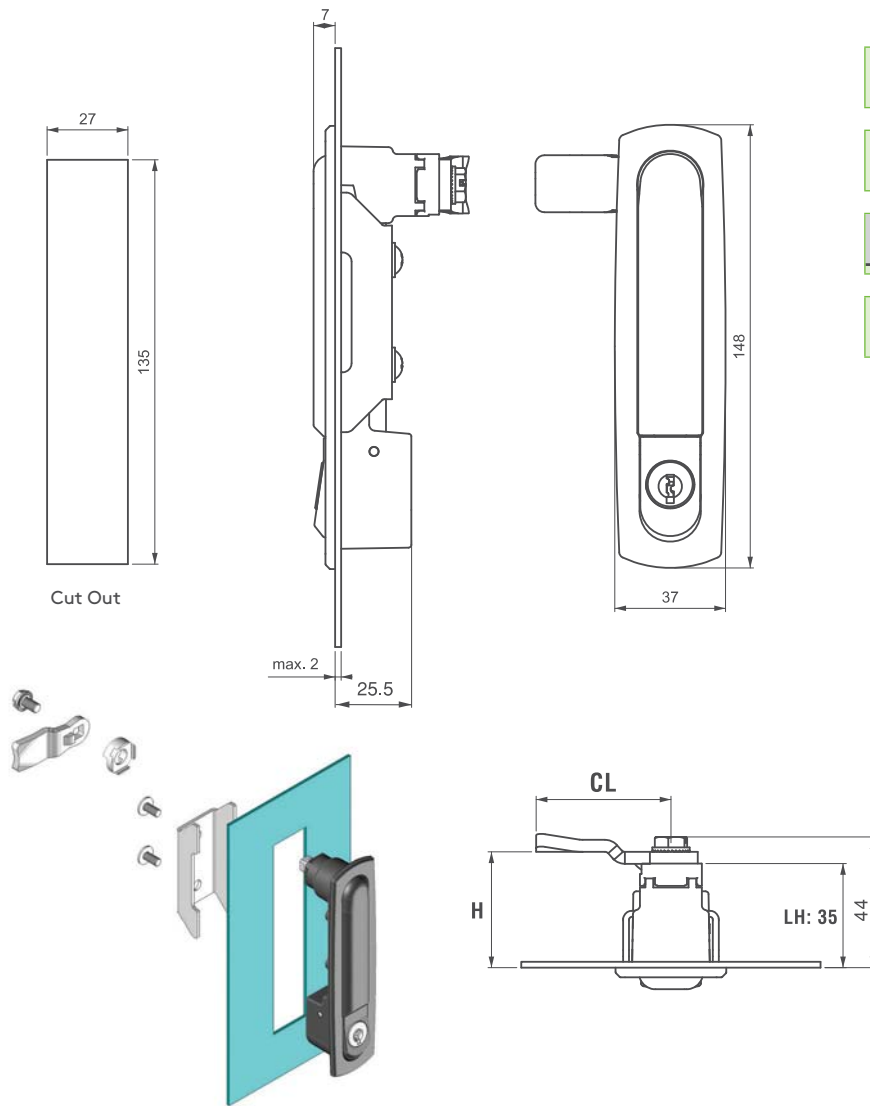
ALL IN METAL



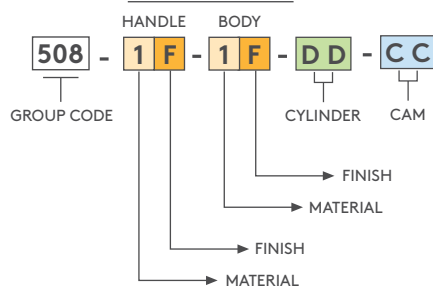
- Swinghande with push button
- Can assemble with one fixing bracket
- Offers an economical solution

MATERIAL

BODY: Zinc Alloy DIN-EN 1774-ZnAl4Cu1  
 HANDLE: Zinc Alloy DIN-EN 1774-ZnAl4Cu1  
 CAM: Steel or PA6 GFR 30  
 SEAL: Polyurethane



PRODUCT CODE



FINISH	F
Chrome	1
Black coated	2

CYLINDER	SPECIFICATIONS	DD
	Keyed alike	01
	Keyed differ	02

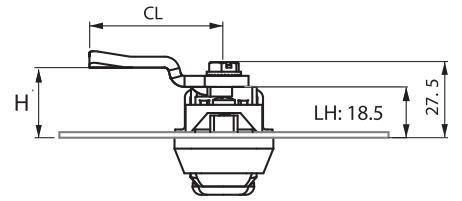
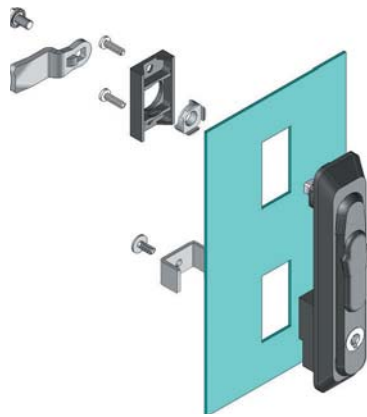
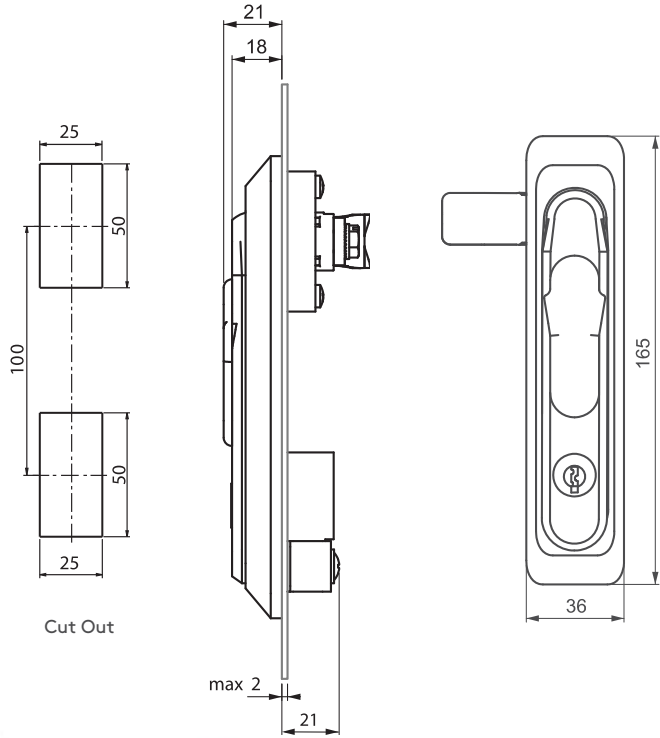
For cams please check pages: 170 - 171

**SWINGHANDLE**

**006**



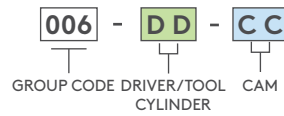
- 
- 
- 
- 
- 







- Lower strength swinghandle that accepts: cylindrical Driver/Tool only
- Spring-loaded, slam-action swinghandle
- For indoor and outdoor application




**MATERIAL**  
**BODY:** Polyamide DIN-EN ISO 1043-1 PA6 GFR 30  
**HANDLE:** Polyamide DIN-EN ISO 1043-1 PA6 GFR 30  
**CAM:** Steel or PA6 GFR 30  
**SEAL:** Polyurethane

**PRODUCT CODE**



DRIVER/TOOL		
5 mm Double bit	8 mm Square	9 mm Triangular
		
15	28	39

CYLINDER TYPE		DD
	Keyed alike (Stainless steel dust cap)	03
	Keyed differ (Stainless steel dust cap)	32
	Euro key (5333)	05
	CH751 (Stainless steel dust cap)	07

-  For cams please check pages: 170 - 171
-  For rods please check pages: 178 - 188
-  For keys please check pages: 189 - 191



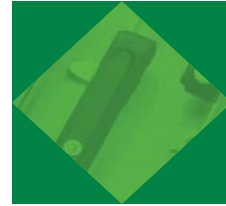


# LOCKS



## ROD-LATCH SYSTEM

GROUP CODE	PRODUCT NAME
002	SWINGHANDLE - ROD CONTROL
102	SWINGHANDLE - ROD CONTROL
502	SWINGHANDLE - ROD CONTROL
602	SWINGHANDLE - ROD CONTROL
409	SWINGHANDLE - ROD CONTROL
107	SWINGHANDLE - ROD CONTROL
207	SWINGHANDLE - ROD CONTROL
307	SWINGHANDLE - ROD CONTROL
407	MODULER SYSTEM SWINGHANDLE
204	LINEAR HANDLE LOCK
104	LINEAR HANDLE LOCK
109	SWINGHANDLE - ROD CONTROL
909	SWING HANDLE - GEAR BOX
209	SWINGHANDLE - ROD CONTROL
219	SWINGHANDLE - ROD CONTROL
309	SWINGHANDLE - ROD CONTROL
319	SWINGHANDLE - ROD CONTROL
007	SWINGHANDLE - ROD CONTROL
809	SWINGHANDLE - ROD CONTROL
103	THREE-POINT LOCK (wing knob, T and L handle )
203	THREE-POINT LOCK (wing knob, T and L handle )
203	THREE-POINT LOCK
003	THREE-POINT LOCK
103	THREE-POINT LOCK
303	INTERNAL LOCKING SYSTEM



**PAGE**

56

57

58 - 59

60

61 - 62

63

64

65

66 - 67

68 - 69

70 - 71

72,73,74,75

76

77-78

79

80

81

82

83

84- 85

86 - 87

88

89

90

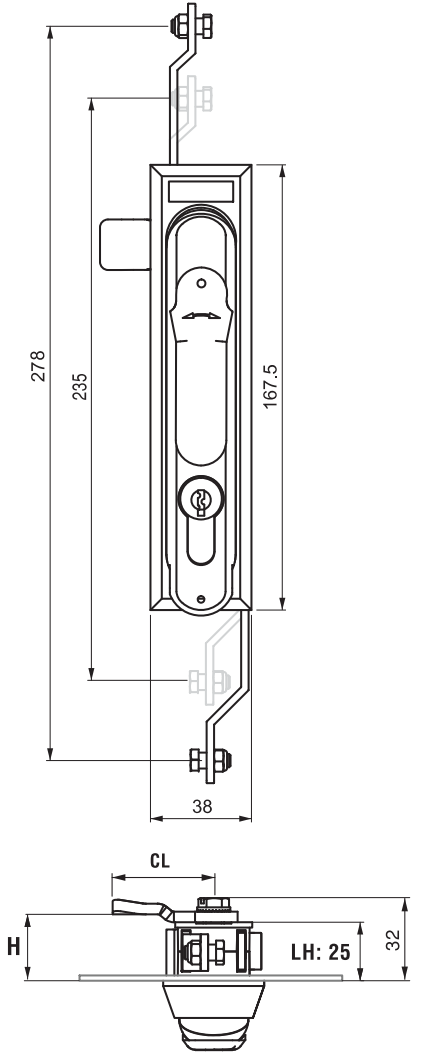
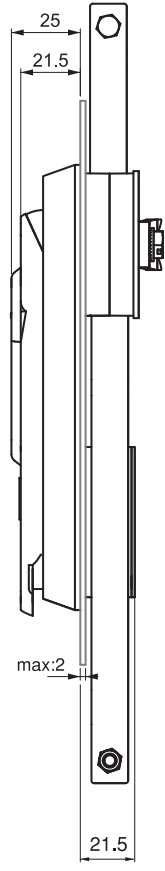
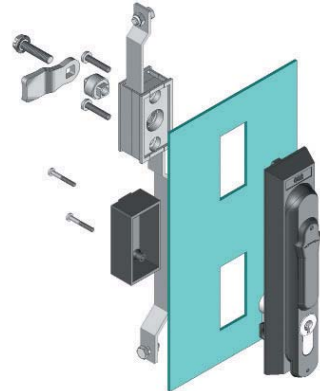
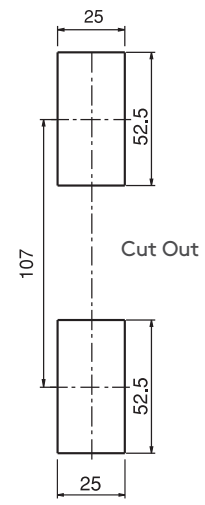
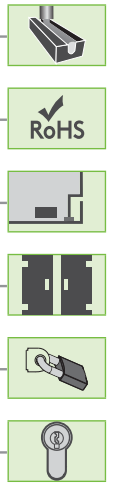
91



# ROD-LATCH SYSTEM

## SWINGHANDLE - ROD CONTROL

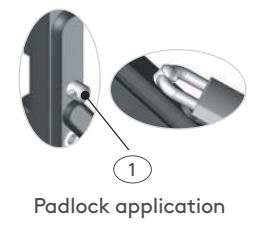
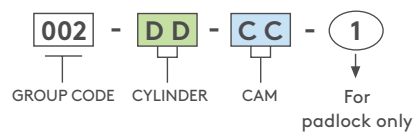
**002**



- Swinghandle for steel and polyester cabinets
- 40 mm Euro Profile single cylinder fitted
- Padlockable version available
- For 42 mm Euro Profile single cylinder contact Essentra

**MATERIAL**  
**BODY:** Polyamide DIN-EN ISO 1043-1 PA6 GFR 30  
**HANDLE:** Polyamide DIN-EN ISO 1043-1 PA6 GFR 30  
**MECHANISM:** Zinc Alloy DIN-EN 1774-ZnAl4Cu1  
**CAM:** Steel  
**SEAL:** Polyurethane

### PRODUCT CODE



CYLINDER TYPE		DD
	Keyed alike (Stainless steel dust cap)	03
	Keyed differ (Stainless steel dust cap)	32
	Master System	04
	Euro Key (5333)	05
	CH751 (Stainless steel dust cap)	07

NO CYLINDER	DD
Plastic blind cylinder	24

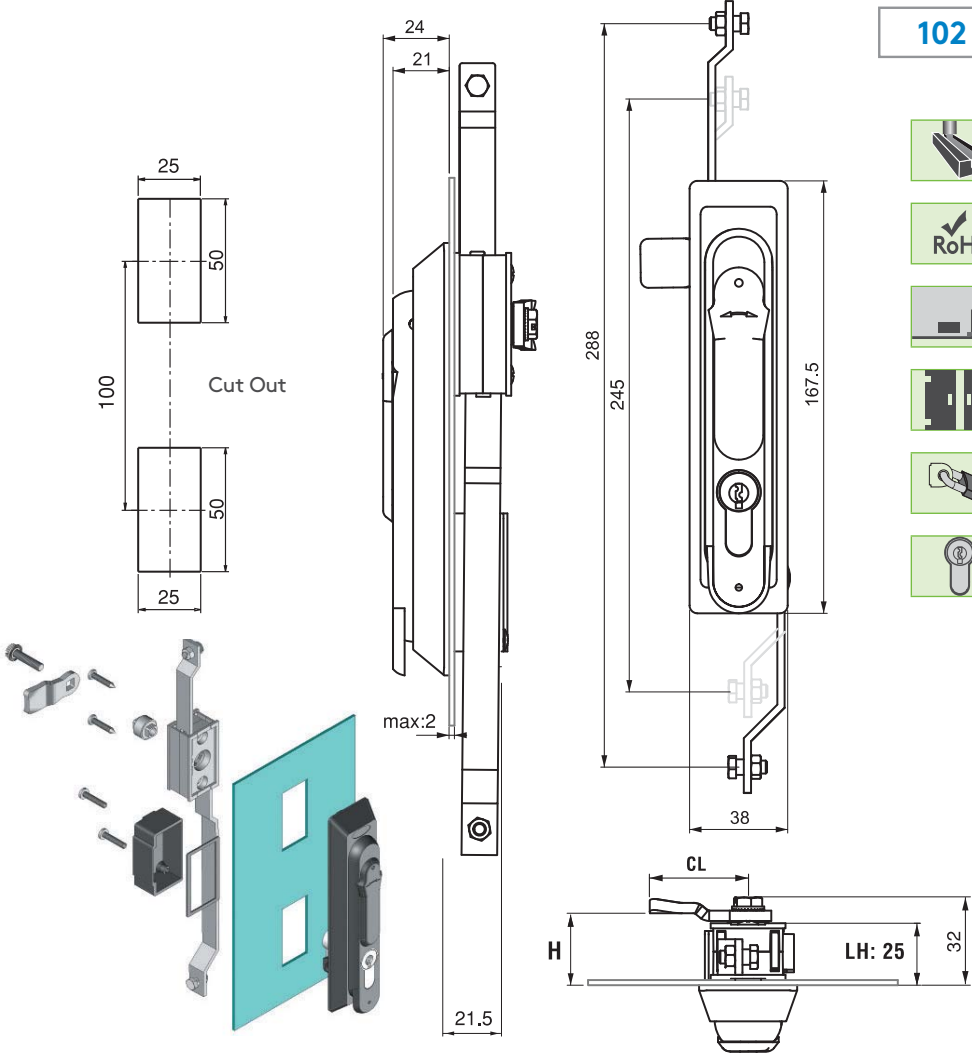
DRIVER TYPE			
5 mm Double bit	8 mm Square	9 mm Triangular	Eastern
15	28	39	91

HIGH-SECURITY CYLINDER			
Brass cylinder		Zinc Alloy cylinder	
Keyed alike	Keyed differ	Keyed alike	Keyed differ
20	21	22	23

- For cams please check pages: 172 - 173
- For rods please check pages: 178 - 188
- For keys please check pages: 189 - 191



## 102 SWINGHANDLE - ROD CONTROL

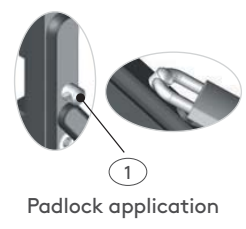
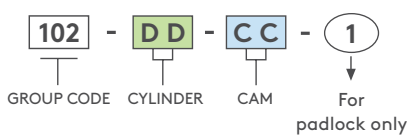


- 
- 
- 
- 
- 
- 



- Swinghandle for steel and polyester cabinets
- 40 mm Euro Profile single cylinder fitted
- For 42 mm Euro Profile single cylinder contact Essentra
- Padlockable version available

### PRODUCT CODE



### MATERIAL

- BODY:** Polyamide DIN-EN ISO 1043-1 PA6 GFR 30
- HANDLE:** Polyamide DIN-EN ISO 1043-1 PA6 GFR 30
- MECHANISM:** Zinc Alloy DIN-EN 1774-ZnAl4Cu1
- CAM:** Steel
- SEAL:** Polyurethane

CYLINDER TYPE		DD	NO CYLINDER		DD
	Keyed alike (Stainless steel dust cap)	03		24	
	Keyed differ (Stainless steel dust cap)	32			
	Master system	04			
	Euro key (5333)	05			
	CH751 (Stainless steel dust cap)	07			

DRIVER TYPE				HIGH SECURITY CYLINDER			
5 mm Double bit	8 mm Square	9 mm Triangular	Eastern	Brass cylinder	Zinc Alloy cylinder		
15	28	39	91	Keyed alike	Keyed differ	Keyed alike	Keyed differ
				20	21	22	23

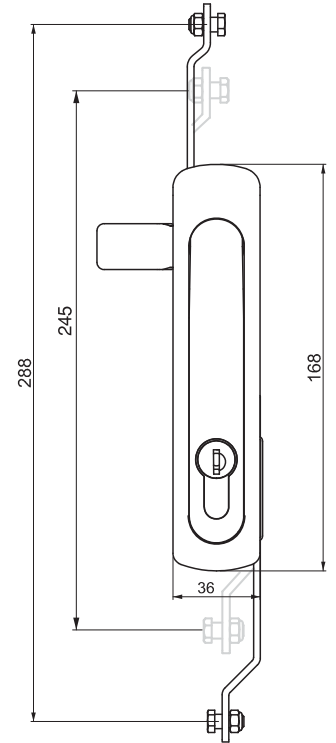
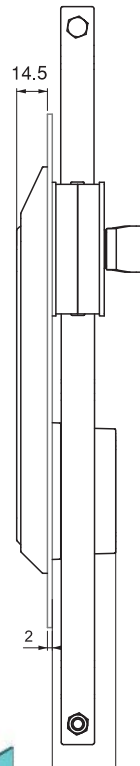
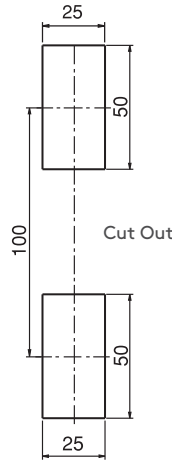
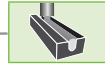
- For cams please check pages: 172 - 173
- For rods please check pages: 178- 188
- For keys please check pages: 189 - 191

# ROD-LATCH SYSTEM

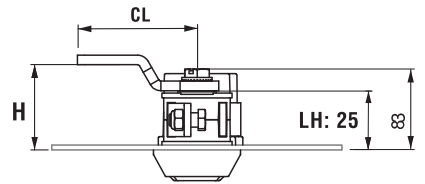
## SWINGHANDLE - ROD CONTROL

502

ALL IN METAL



25.5: Zinc Alloy cylinder  
32: Brass cylinder

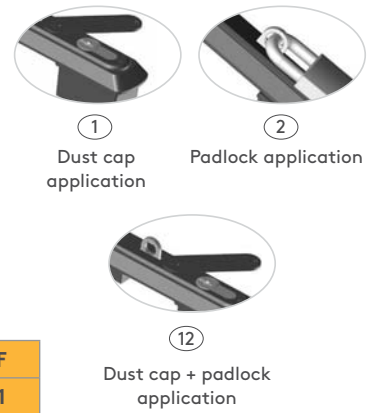
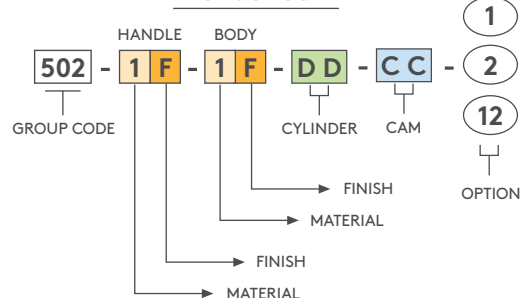


- Stainless steel version: page 454
- Die-cast construction stronger than polyamide
- Thin external profile, 14.4 mm, for flush appearance
- High-security, brass, Euro Profile single-cylinder available
- Dust cap available
- Padlockable version available
- For different colors contact Essentra

### MATERIAL

**BODY:** Zinc Alloy DIN-EN 1774-ZnAl4Cu1  
**HANDLE:** Zinc Alloy DIN-EN 1774-ZnAl4Cu1  
**MECHANISM:** Zinc Alloy DIN-EN 1774-ZnAl4Cu1  
**SEAL:** Polyurethane

### PRODUCT CODE



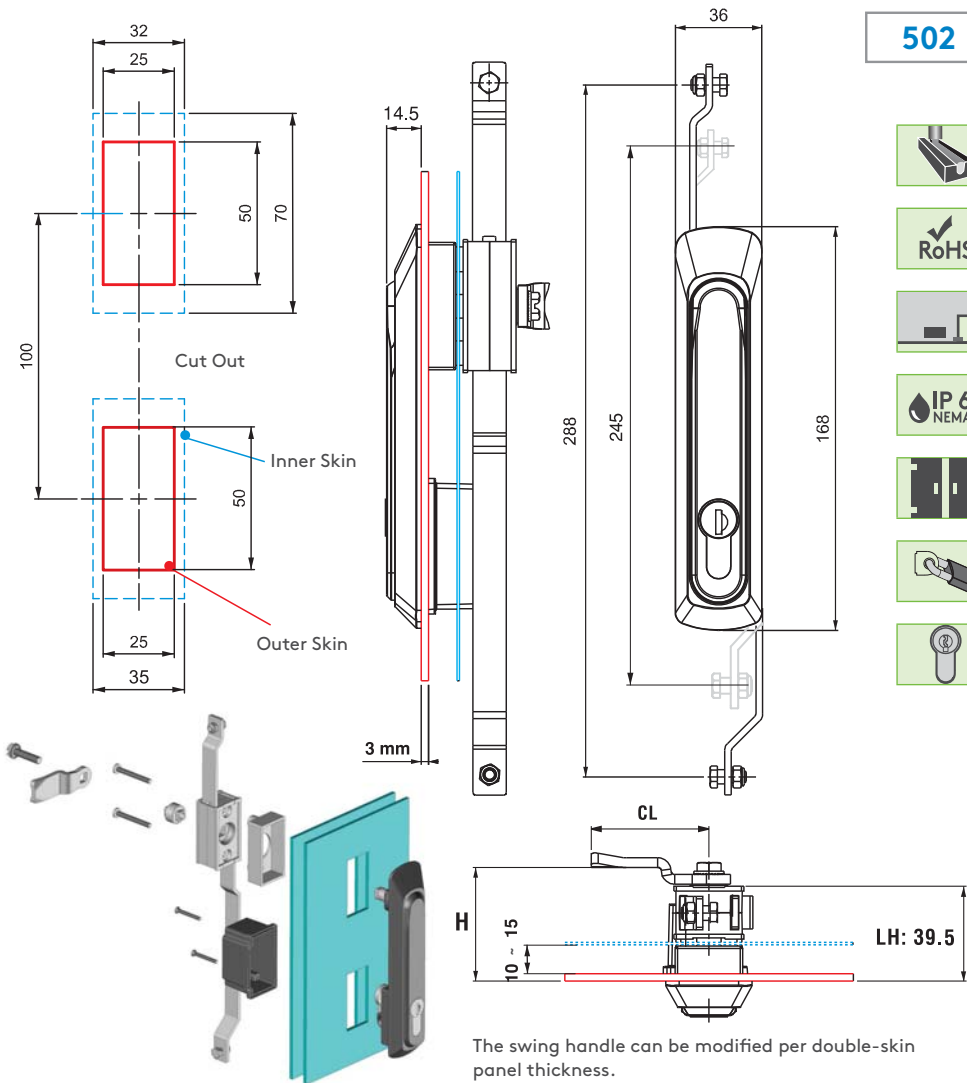
MATERIAL	M	FINISH	F
Zinc Alloy	1	Chrome	1
		Black coated	2

Zinc Alloy CYLINDER	DD
Keyed alike (Stainless steel dust cap)	03
Keyed differ (Stainless steel dust cap)	32
CH751 (Stainless steel dust cap)	07

HIGH-SECURITY CYLINDER			
Brass cylinder		Zinc Alloy cylinder	
Keyed alike	Keyed differ	Keyed alike	Keyed differ
20	21	22	23

BRASS CYLINDER	DD
No cylinder	00
Keyed alike	11

- For cams please check pages: 172 - 173
- For rods please check pages: 178 - 188
- For keys please check pages: 189 - 191



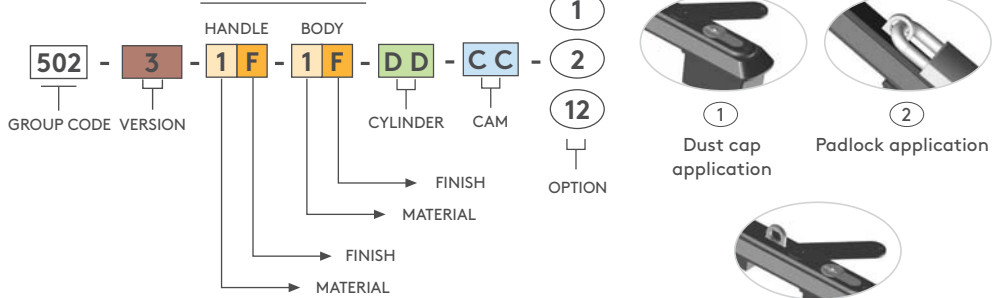
## 502 SWINGHANDLE - ROD CONTROL

ALL IN METAL

- 
- 
- 
- 
- 
- 
- 



### PRODUCT CODE



- Stainless steel version: page 454
- High-security swing handle for indoor and outdoor cabinets
- Ideal for double-skin door panels and outdoor cabinets
- Spring loaded ,slam-action swing handle
- Dust cap and padlockable versions optional

### MATERIAL

**BODY:** Zinc Alloy DIN-EN 1774-ZnAl4Cu1  
**HANDLE:** Zinc Alloy DIN-EN 1774-ZnAl4Cu1  
**MECHANISM:** Zinc Alloy DIN-EN 1774-ZnAl4Cu1  
**SEAL:** Polyurethane

MATERIAL	M	FINISH	F
Zinc Alloy	1	Chrome	1
		Black coated	2

Zinc Alloy CYLINDER	DD
Keyed alike (Stainless steel dust cap)	03
Keyed differ (Stainless steel dust cap)	32
CH751 (Stainless steel dust cap)	07
BRASS CYLINDER	DD
No cylinder	00
Keyed alike	11

HIGH-SECURITY CYLINDER			
Brass cylinder		Zinc Alloy cylinder	
Keyed alike	Keyed differ	Keyed alike	Keyed differ
20	21	22	23

For cams please check pages: 172 - 173  
 For rods please check pages: 178- 188  
 For keys please check pages: 189 - 191

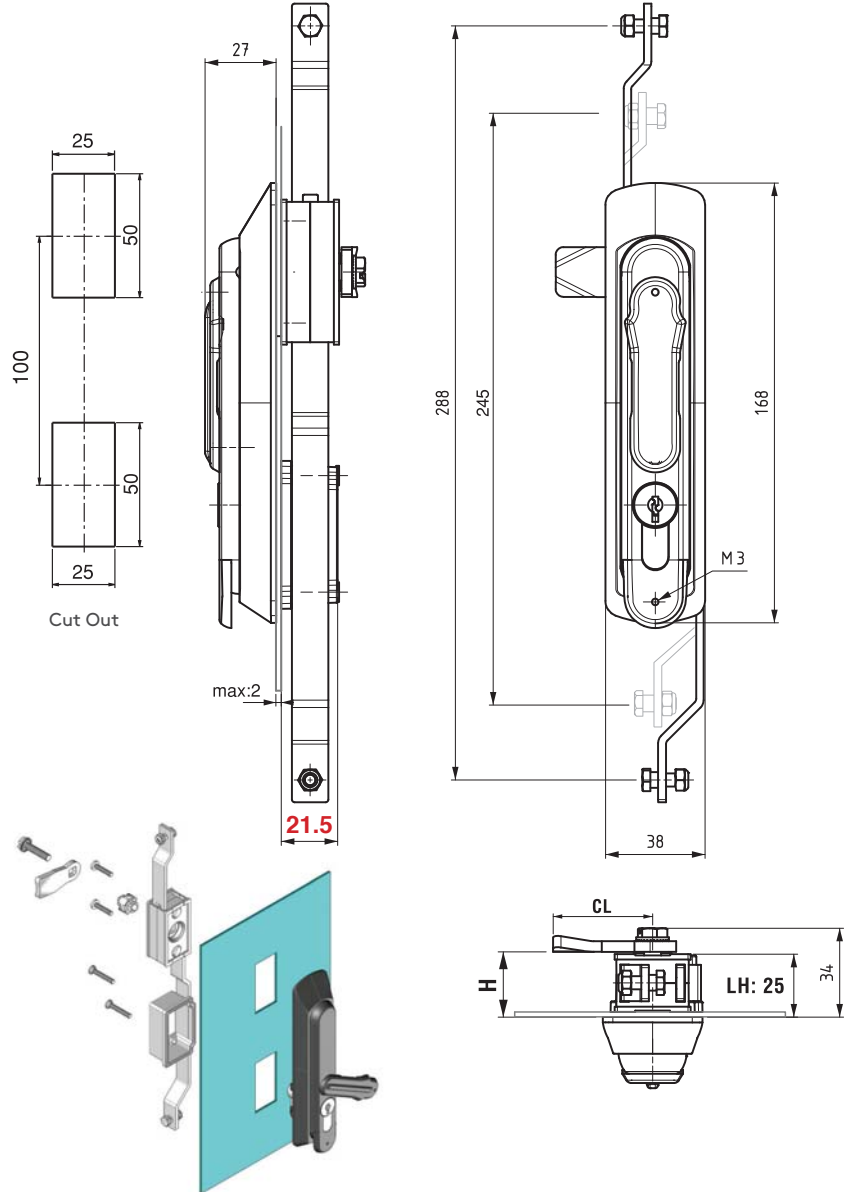
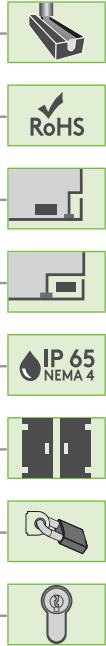


# ROD-LATCH SYSTEM

## SWINGHANDLE - ROD CONTROL

**602**

ALL IN METAL

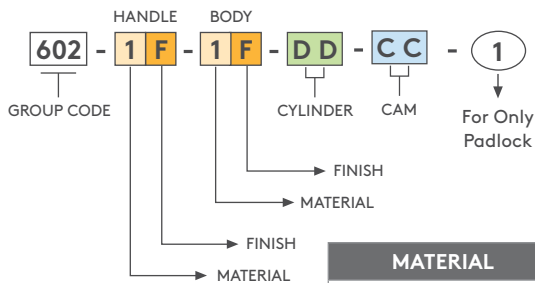


- All metal construction
- Swinghandle for steel and polyester cabinets
- 40 mm Euro Profile single cylinder fitted
- Improved corrosion resistance
- High-security, brass, Euro Profile single-cylinder available

### MATERIAL

**BODY:** Zinc Alloy DIN-EN 1774-ZnAl4Cu1  
**HANDLE:** Zinc Alloy DIN-EN 1774-ZnAl4Cu1  
**COVER:** Zinc Alloy DIN-EN 1774-ZnAl4Cu1  
**MECHANISM:** Zinc Alloy DIN-EN 1774-ZnAl4Cu1  
**SEAL:** Polyurethane

### PRODUCT CODE



1 Padlock application

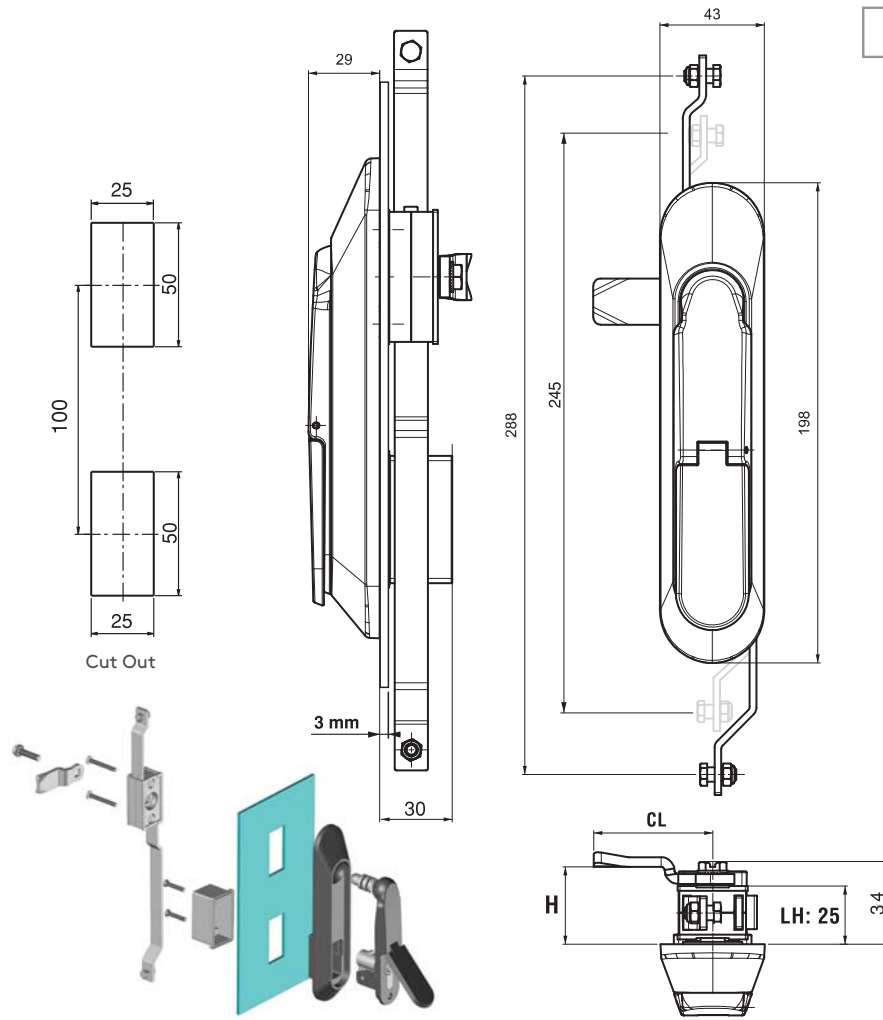
MATERIAL	M	FINISH	F
Zinc Alloy	1	Chrome	1
		Black coated	2

Zinc Alloy CYLINDER	DD
Keyed alike (Stainless steel dust cap)	03
Keyed differ (Stainless steel dust cap)	32
CH751 (Stainless steel dust cap)	07

HIGH-SECURITY CYLINDER			
Brass cylinder		Zinc Alloy cylinder	
Keyed alike	Keyed differ	Keyed alike	Keyed differ
20	21	22	23

BRASS CYLINDER	DD
No cylinder	00
Keyed alike	11

- For cams please check pages: 172 - 173
- For rods please check pages: 178 - 188
- For keys please check pages: 189 - 191



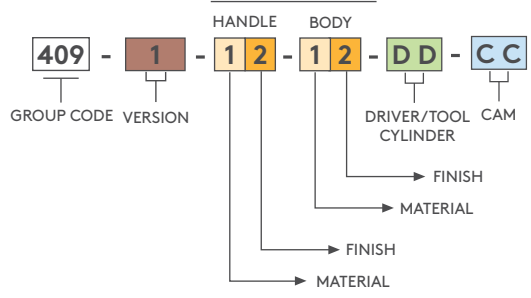
## 409 SWINGHANDLE - ROD CONTROL

- Rod Control
- RoHS
- IP 66 NEMA 4X
- Handle Assembly
- Keyhole



- All metal construction
- Special geometry protects against vandalism
- Improved corrosion resistance
- Double o-ring used for handle improves IP rating
- High-security cylinder alternative
- Improved IP rating with moving dust cap

### PRODUCT CODE



MATERIAL	M
Zinc Alloy	1
FINISH	F
Black coated	2

CYLINDER TYPE		DD
	Keyed alike (Stainless steel dust cap)	03
	Keyed differ (Stainless steel dust cap)	32
	Master system	04
	Euro key (5333)	05
	CH751 (Stainless steel dust cap)	07

DRIVER TYPE			
5 mm Double bit	8 mm Square	9 mm Triangular	Eastern
15	28	39	91

HIGH-SECURITY CYLINDER	
Zinc Alloy cylinder	
Keyed alike	Keyed differ
22	23

MATERIAL	
BODY:	Zinc Alloy DIN-EN 1774-ZnAl4Cu1
HANDLE:	Zinc Alloy DIN-EN 1774-ZnAl4Cu1
MECHANISM:	Zinc Alloy DIN-EN 1774-ZnAl4Cu1
SEAL:	Polyurethane
COVER:	Zinc Alloy DIN-EN 1774-ZnAl4Cu1
CAM:	Steel

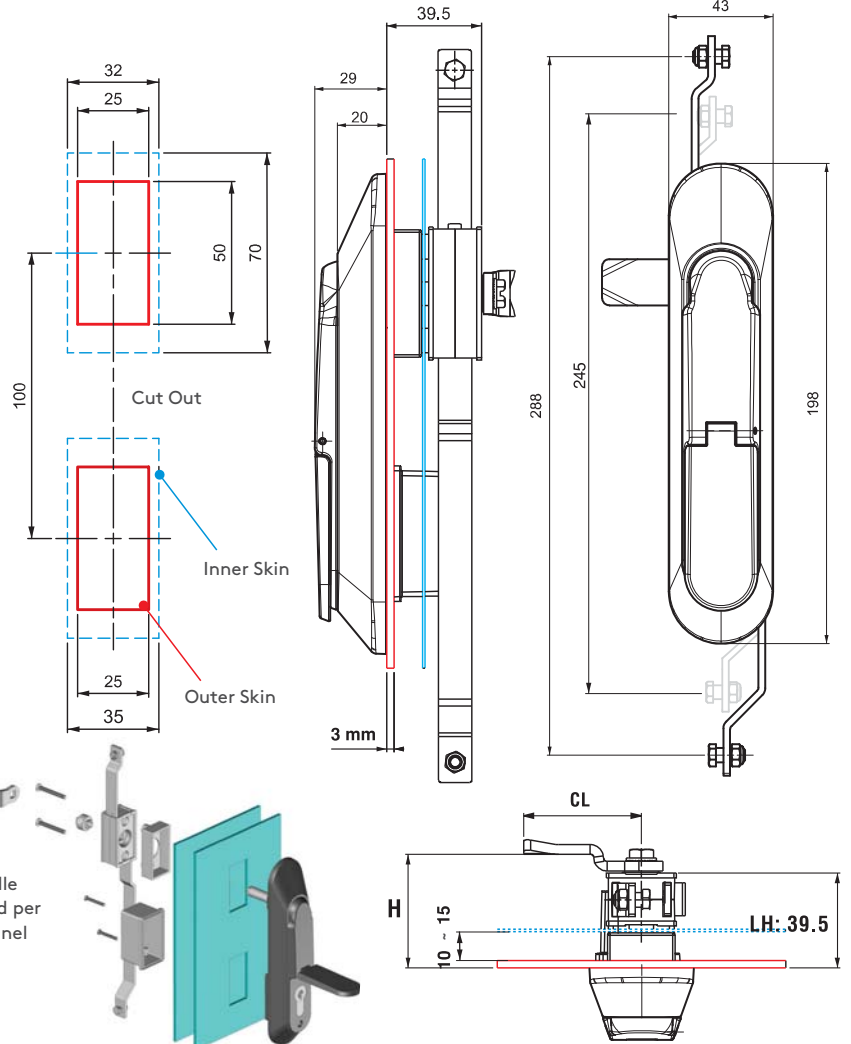
- For cams please check pages: 172 - 173
- For rods please check pages: 178 - 188
- For keys please check pages: 189 - 191

# ROD-LATCH SYSTEM

## SWINGHANDLE - ROD CONTROL

409

ALL IN METAL



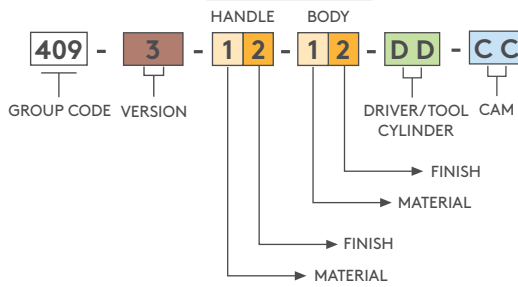
The swing handle can be modified per double-skin panel thickness.

- All metal construction
- Special geometry protects against vandalism
- Double o-ring handle improves IP rating
- High-security cylinder alternative
- Improved IP rating with moving dust cap

### MATERIAL

**BODY:** Zinc Alloy DIN-EN 1774-ZnAl4Cu1  
**HANDLE:** Zinc Alloy DIN-EN 1774-ZnAl4Cu1  
**MECHANISM:** Zinc Alloy DIN-EN 1774-ZnAl4Cu1  
**SEAL:** Polyurethane  
**COVER:** Zinc Alloy DIN-EN 1774-ZnAl4Cu1

### PRODUCT CODE



MATERIAL	M
Zinc Alloy	1
FINISH	F
Black coated	2

CYLINDER TYPE		DD
	Keyed alike (Stainless steel dust cap)	03
	Keyed differ (Stainless steel dust cap)	32
	Master system	04
	Euro key (5333)	05
	CH751 (Stainless steel dust cap)	07

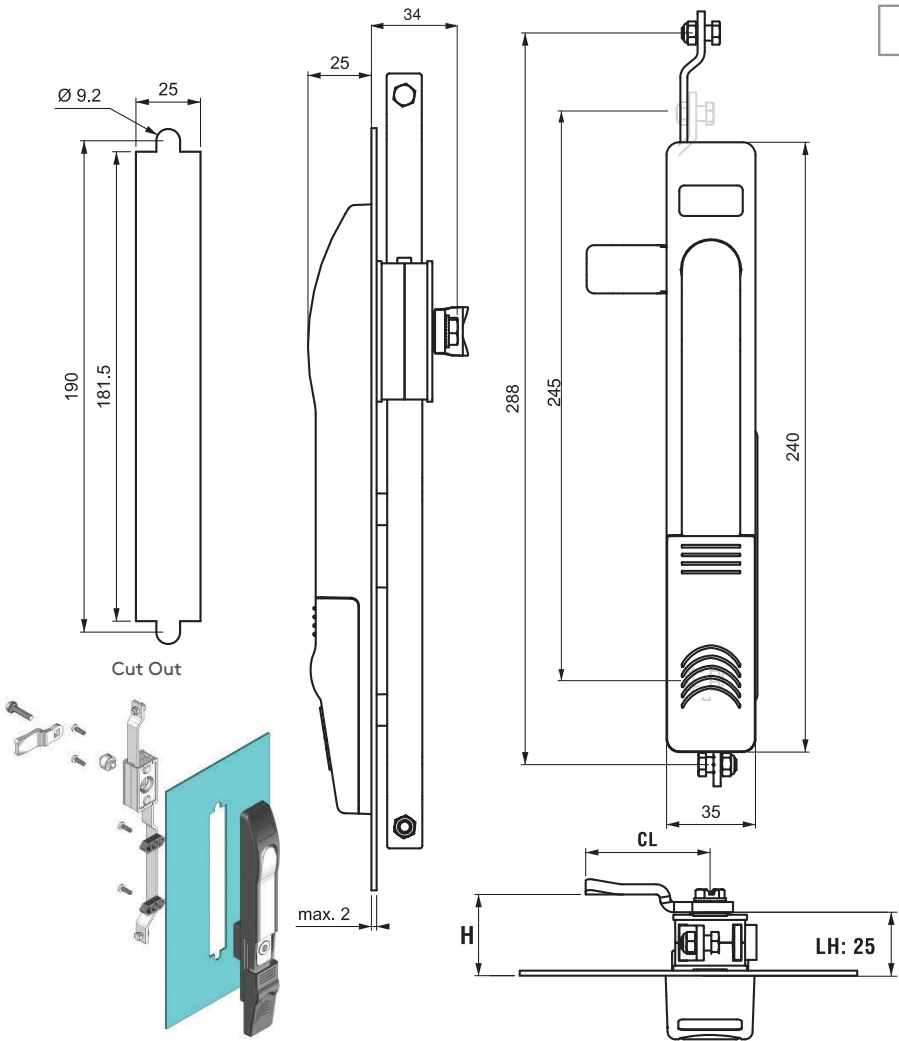
DRIVER TYPE			
5 mm Double bit	8 mm Square	9 mm Triangular	Eastern
15	28	39	91

HIGH-SECURITY CYLINDER	
Zinc Alloy cylinder	
Keyed alike	Keyed differ
22	23

- For cams please check pages: 172 - 173
- For rods please check pages: 178 - 188
- For keys please check pages: 189 - 191



## 107 SWINGHANDLE - ROD CONTROL

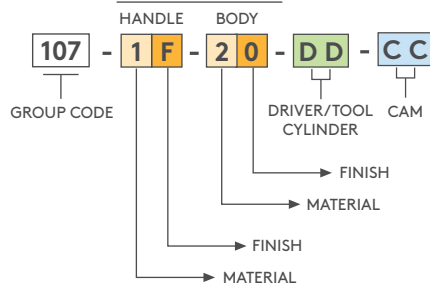


- Suitable for indoor applications
- Spring-loaded, slam action swing handle
- Sliding dust cover
- Suited for outside gasketing application

### MATERIAL

**BODY:** Polyamide DIN-EN ISO 1043-1 PA6 GFR 30  
**HANDLE:** Zinc Alloy DIN-EN 1774-ZnAl4Cu1  
**MECHANISM:** Zinc Alloy DIN-EN 1774-ZnAl4Cu1  
**CAM:** Steel  
**SEAL:** Polyurethane

### PRODUCT CODE



DRIVER/TOOL		
5 mm Double bit	8 mm Square	9 mm Triangular
15	28	39

MATERIAL	
Zinc Alloy	1
Plastic	2

FINISH	
Chrome	1
Black coated	2

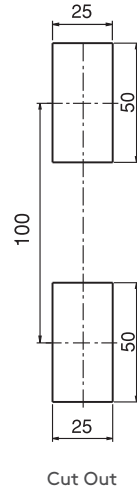
CYLINDER TYPE		DD
	Keyed alike (Stainless steel dust cap)	03
	Keyed differ (Stainless steel dust cap)	32
	Euro key (5333)	05
	CH751 (Stainless steel dust cap)	07

- For cams please check pages: 172 - 173
- For rods please check pages: 178- 188
- For keys please check pages: 189 - 191

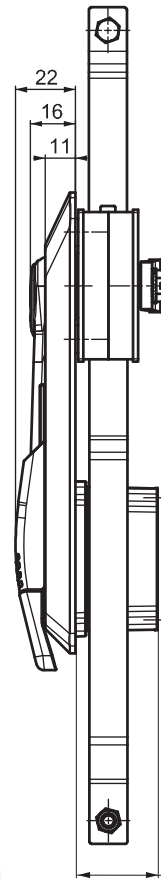
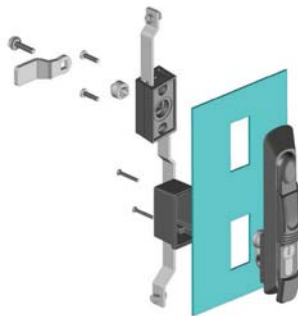
# ROD-LATCH SYSTEM

SWINGHANDLE - ROD CONTROL

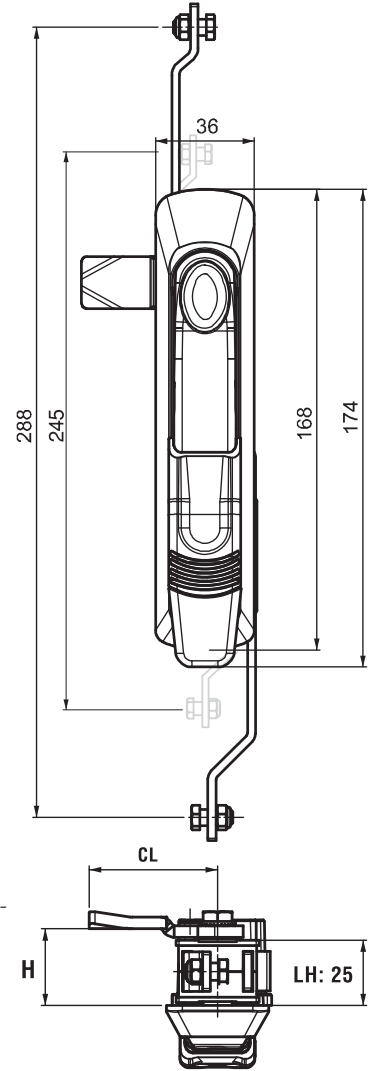
207



Cut Out



23.5 : Zinc Alloy cylinder  
30 : Brass cylinder



- Sliding dust cover
- Ergonomic handle
- Padlockable version available
- 40 mm Euro Profile cylinder fitted

### MATERIAL

**BODY:** Polyamide DIN-EN ISO 1043-1 PA6 GFR 30

**HANDLE:** PA6 GFR 30 or Zinc Alloy DIN-EN 1774-ZnAl4Cu1

**MECHANISM:** PA6 GFR 30

**CAM:** Steel

**SEAL:** Polyurethane



1

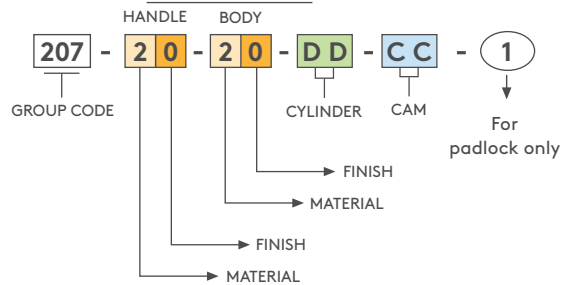
Padlock application

For cams please check pages: 172 - 173

For rods please check pages: 178 - 188

For keys please check pages: 189 - 191

### PRODUCT CODE



CYLINDER TYPE		DD
	Keyed alike (Stainless steel dust cap)	03
	Keyed differ (Stainless steel dust cap)	32
	Master system	04
	Euro key (5333)	05
	CH751 (Stainless steel dust cap)	07

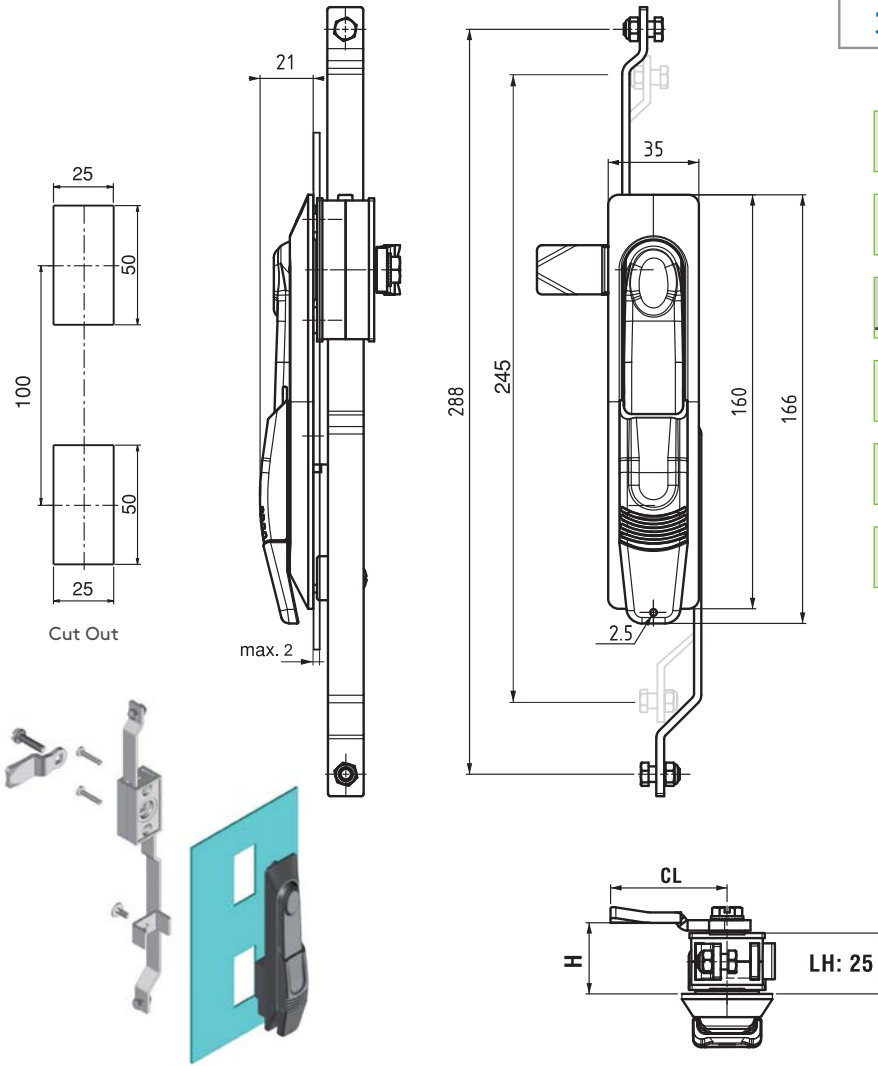
DRIVER TYPE			
5 mm Double bit	8 mm Square	9 mm Triangular	Eastern
15	28	39	91

NO CYLINDER		DD
Plastic blind cylinder		24



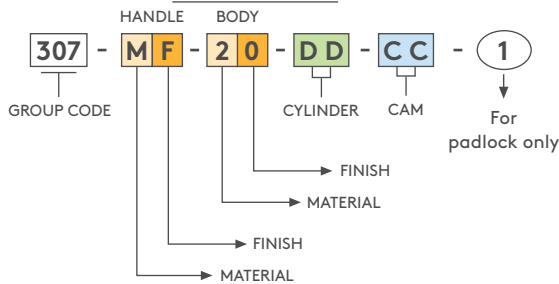
**307**

**SWINGHANDLE - ROD CONTROL**



- Sliding dust cover
- Ergonomic handle
- Padlockable version available

### PRODUCT CODE



MATERIAL	M
Zinc Alloy	1
Plastic	2

FINISH	F
Chrome	1
Black coated	2

DRIVER/TOOL		
5 mm Double bit	8 mm Square	9 mm Triangular
15	28	39

### MATERIAL

**BODY:** Polyamide DIN-EN ISO 1043-1 PA6 GFR 30

**HANDLE:** PA6 GFR 30

**MECHANISM:** PA6 GFR 30

**CAM:** Steel

**SEAL:** Polyurethane



①

Padlock application

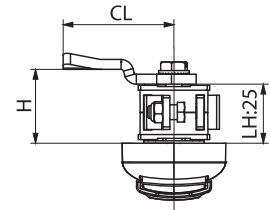
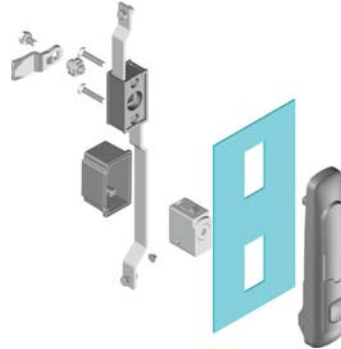
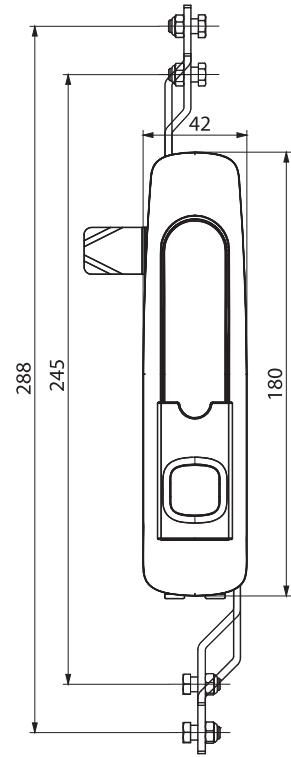
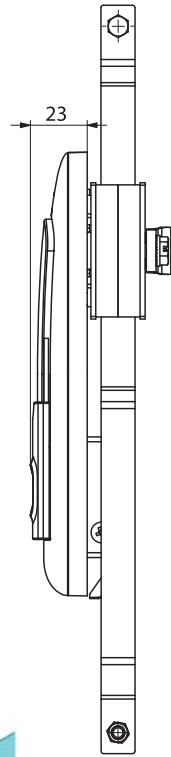
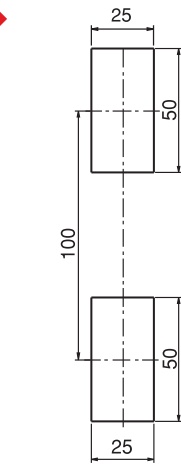
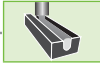
- For cams please check pages: 172 - 173
- For rods please check pages: 178- 188
- For keys please check pages: 189 - 191

CYLINDER	SPECIFICATIONS	DD
	Keyed alike (Stainless steel dust cap)	03
	Keyed differ (Stainless steel dust cap)	32
	Euro key (5333)	05

# ROD-LATCH SYSTEM

## MODULER SYSTEM SWINGHANDLE

407



- Swing handle has a modular lock structure allows easy modification for customer requests
- Lock and modules could be ordered separately
- Single point locking and gearbox option is possible on same lock by an adaptor
- Padlock is optional
- Easy fixing option by plastic clips

### MATERIAL

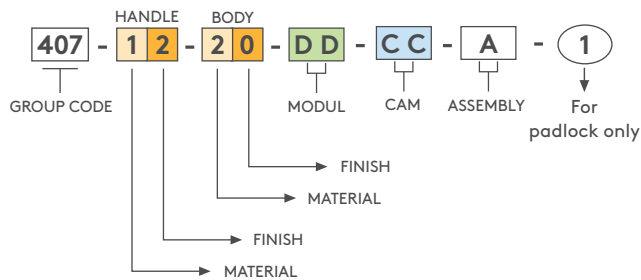
BODY: PA6 GFR 30  
 HANDLE: Zinc Alloy DIN-EN 1774-ZnAl4Cu1  
 MECHANISM: PA6 GFR 30  
 MODUL: Zinc Alloy DIN-EN  
 CAM: Steel



1 Padlock application

- For cams please check pages: 172 - 173
- For rods please check pages: 178 - 188
- For keys please check pages: 189 - 191

### PRODUCT CODE



MATERIAL	M
Zinc Alloy	1
Plastic	2

FINISH	F
No finish	0
Black coated	2

	CYLINDER TYPE		DD	Order code
	Stainless steel dust cap (Keyed alike)	03	MDL03	
	Stainless steel dust cap (Keyed differ)	32	MDL32	
	Euro key (5333)	05	MDL05	
	CH751 (Stainless steel dust cap)	07	MDL07	

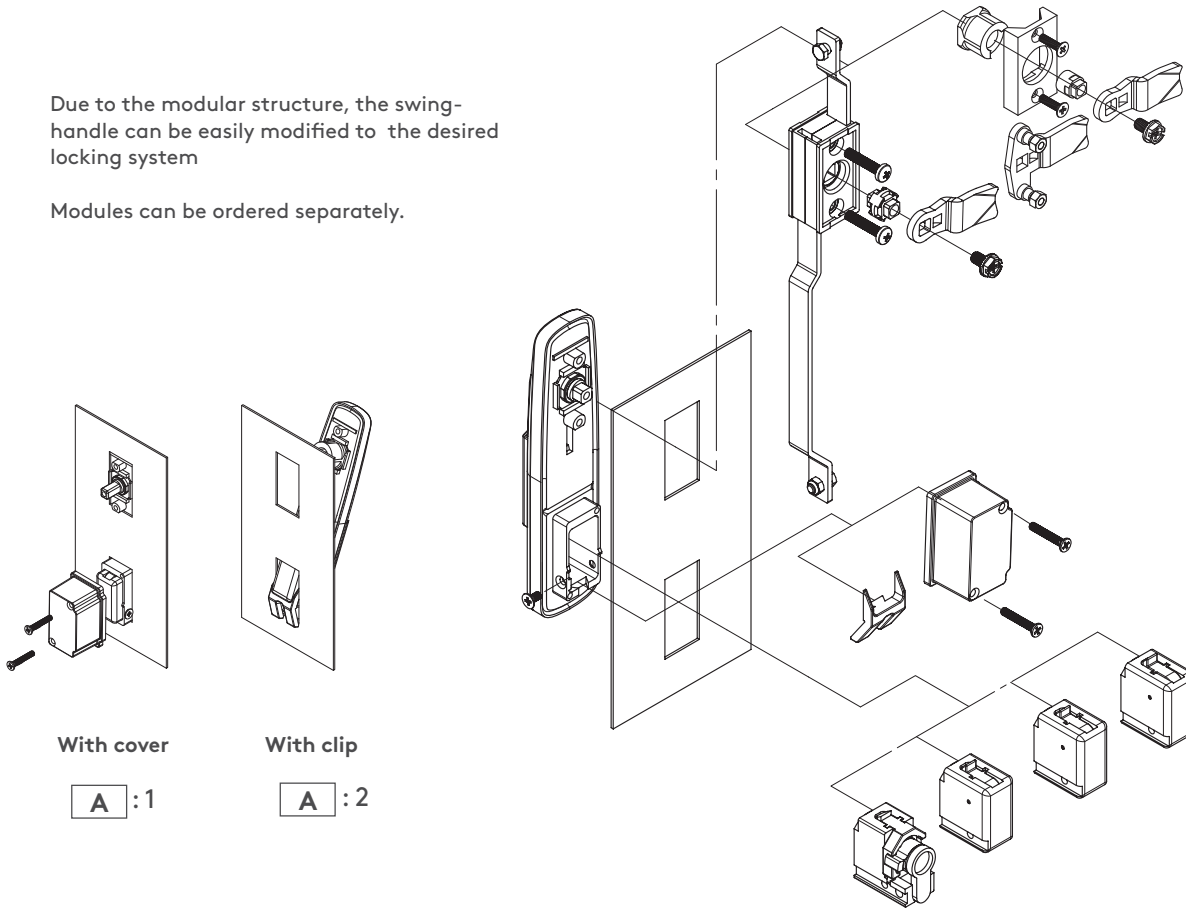
DRIVER/TOOL	BUTTON	CYLINDER
5 mm Double bit	Zinc Alloy	Brass
8 mm Square		
9 mm Triangular		
15	55	11
MDL15	MDL55	MDL11





Due to the modular structure, the swing-handle can be easily modified to the desired locking system

Modules can be ordered separately.



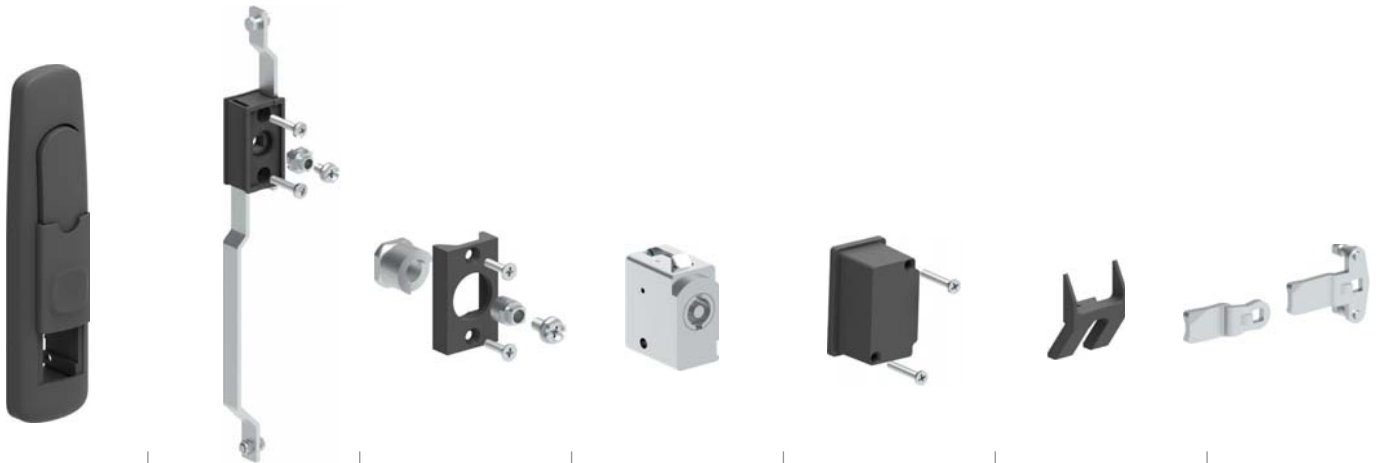
With cover

A :1

With clip

A :2

The set items can be ordered separately with their codes in below



MLS01

- 1-SET:
- Body
  - Handle
  - Dust cap
  - Shaft

MLS02

- 1-SET:
- Plastic Mechanism
  - Screws
  - Cam Adapter

For multi point locking

MLS03

- 1-SET:
- Plastic Fixed Part
  - Screws
  - Cam Adapter

For single point locking

MDLXX

- MODULES
- MDLXX

Please check the previous page

MLS05

- 1-SET:
- Plastic Fixed Part
  - Screws

With this set the handle meet IP 65 specs.

320.02.246

- 1-PCS
- Clip-in part

With this clip-in part mounting time reduces by %50

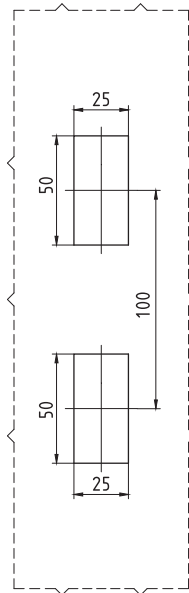
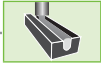
CAMS

Please check the cams page 172 - 173

# ROD-LATCH SYSTEM

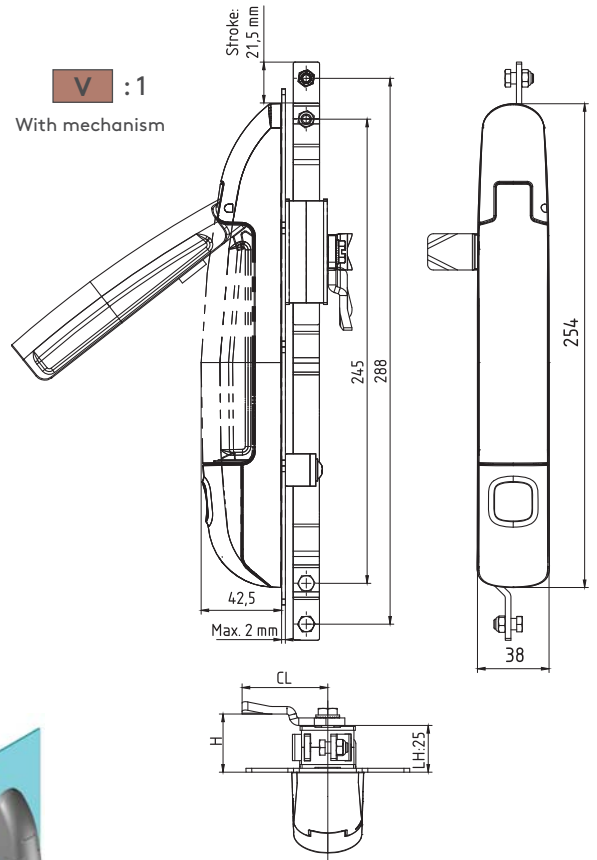
## LINEAR HANDLE LOCK

204



Cut out

V : 1  
With mechanism



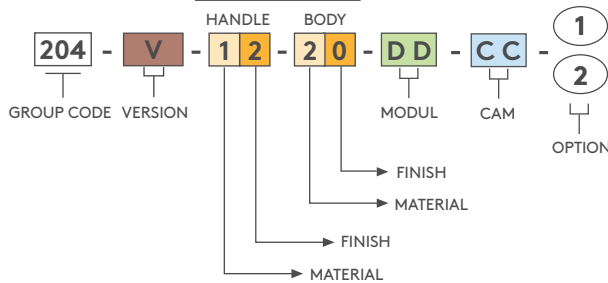
- Ergonomic and modern design
- Locking and unlocking by linear movement
- Suitable for inside & outside gasketing applications
- Swing handle has a modular lock structure allows easy modification for customer requests
- Standard or special rods allows locking to both directions

### MATERIAL

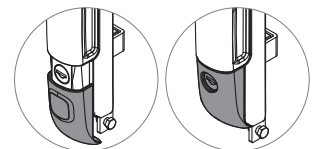
BODY: PA6 GFR 30  
HANDLE: Zinc Alloy DIN-EN 1774-ZnAl4Cu1

MECHANISM: Steel  
CAM: Steel  
SEAL: Polyurethane

### PRODUCT CODE



### OPTION



1 Sliding dust cover  
2 Fixed cover

**Note:** For different colors please contact Essentra

### MODUL

5 mm Double bit	8 mm Square	9 mm Triangular	Button
15	28	39	55

### MATERIAL

M	
Zinc Alloy	1

### FINISH

F	
Black coated	2

### CYLINDER TYPE

	Stainless steel dust cap (Keyed alike)	DD
	Stainless steel dust cap (Keyed differ)	03
	Euro key (5333)	32
	CH751 (Stainless steel dust cap)	05
		07

For cams please check pages: 172 - 173

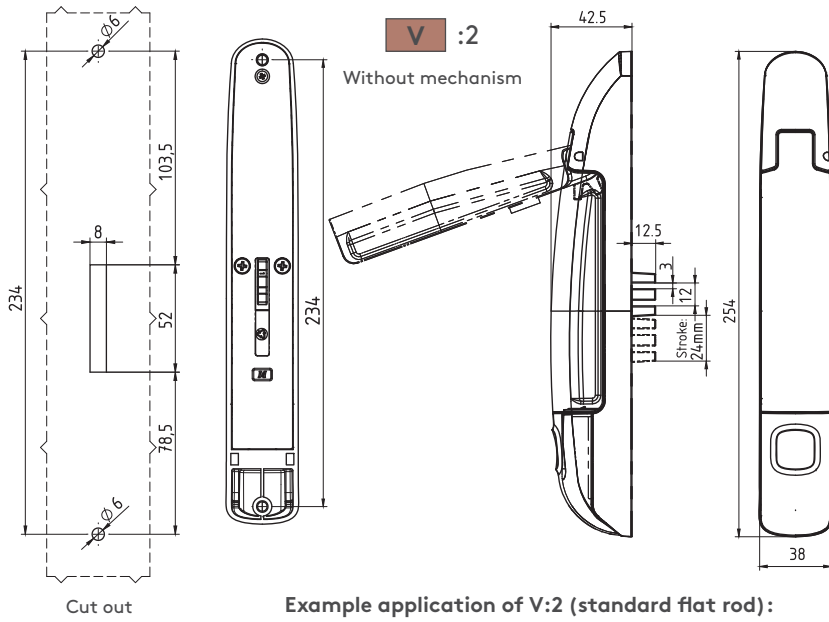
For rods please check pages: 178 - 188

For keys please check pages: 189 - 191



204

LINEAR HANDLE LOCK

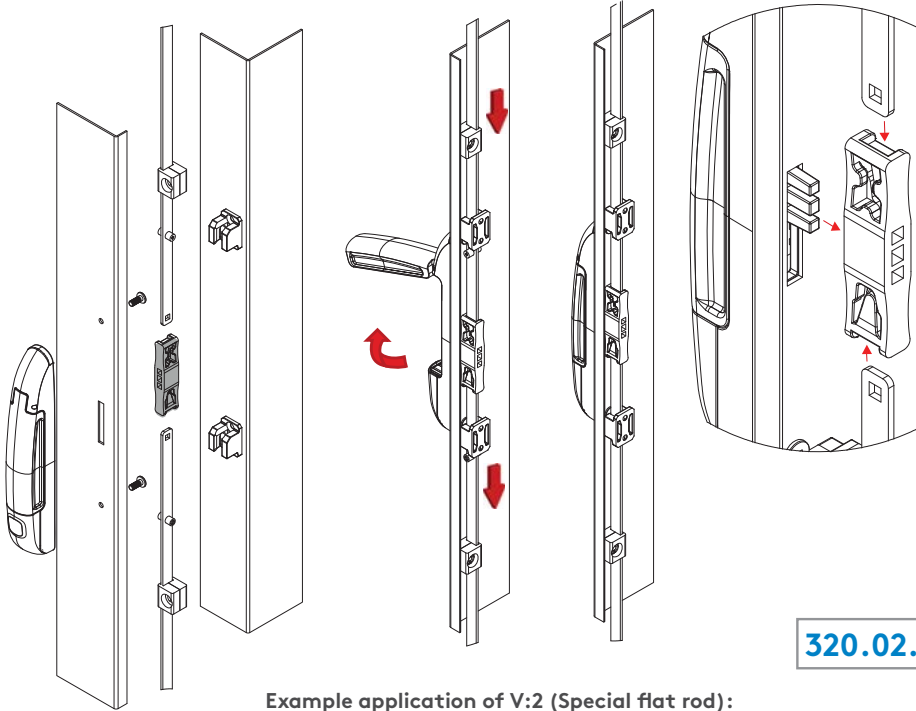


Example application of V:2 (standard flat rod):

- Ergonomic and modern design
- Locking and unlocking by linear movement
- Suitable for inside & outside gasketing applications
- Swing handle has a modular lock structure allows easy modification for customer requests
- Standard or special rods allows locking to one direction

**MATERIAL**

BODY: PA6 GFR 30  
HANDLE: Zinc Alloy DIN-EN 1774-ZnAl4Cu1



320.02.225

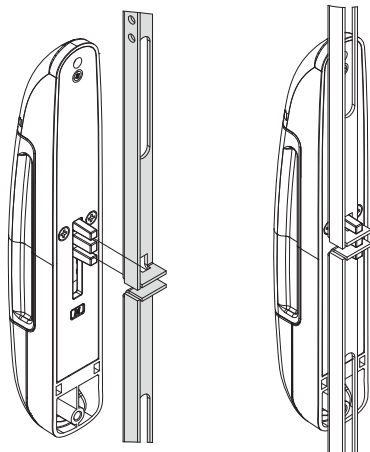
FLAT ROD  
EASY ASSEMBLY PART

Example application of V:2 (Special flat rod):



- Allows easy mounting of the flat rods

**MATERIAL**  
PA6 GFR 30



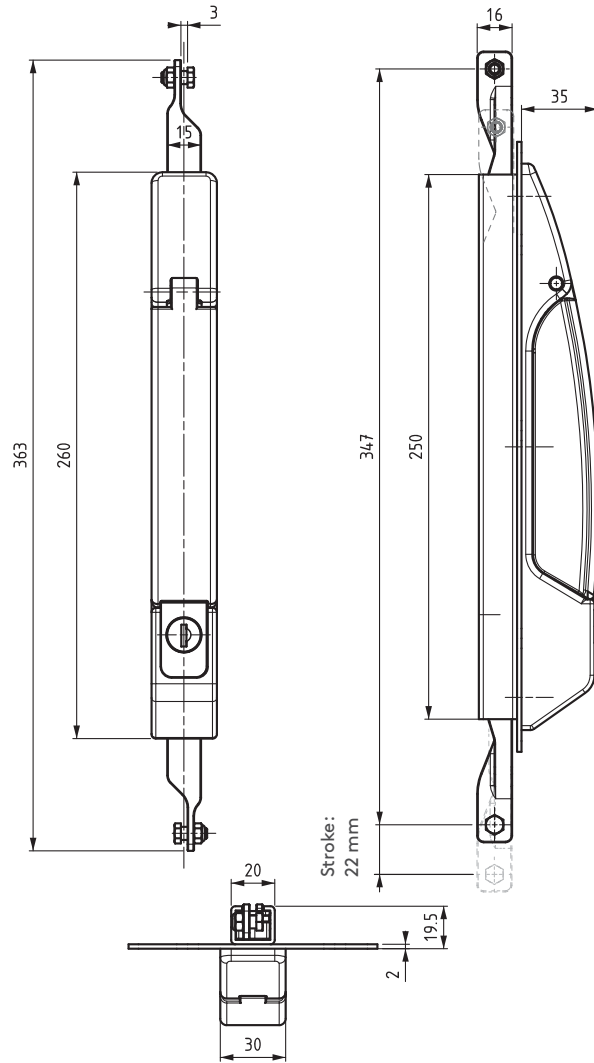
For rods please check pages: 178- 188  
 For keys please check pages: 189 - 191

# ROD-LATCH SYSTEM

## LINEAR HANDLE LOCK

104

ALL IN METAL

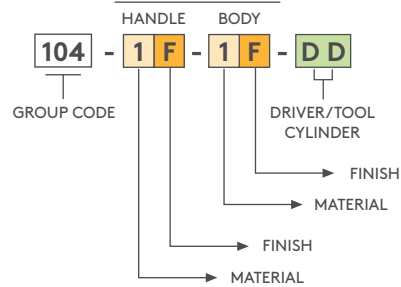


- Locking and unlocking by linear movement
- Suitable for out-of-gasket applications

### MATERIAL

**BODY:** Zinc Alloy DIN-EN 1774-ZnAl4Cu1  
**HANDLE:** Zinc Alloy DIN-EN 1774-ZnAl4Cu1  
**MECHANISM:** Steel  
**CAM:** Steel  
**SEAL:** Polyurethane

### PRODUCT CODE



MODUL			
5 mm Double bit	8 mm Square	9 mm Triangular	Button
15	28	39	55

MATERIAL	M
Zinc Alloy	1

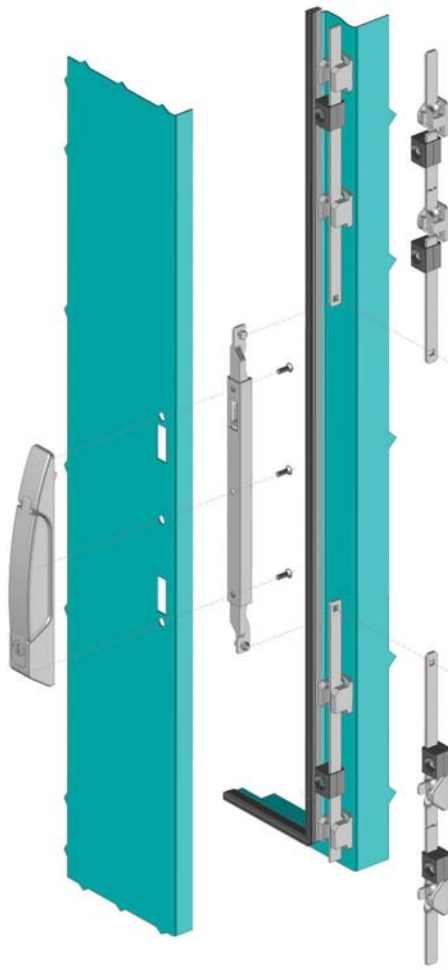
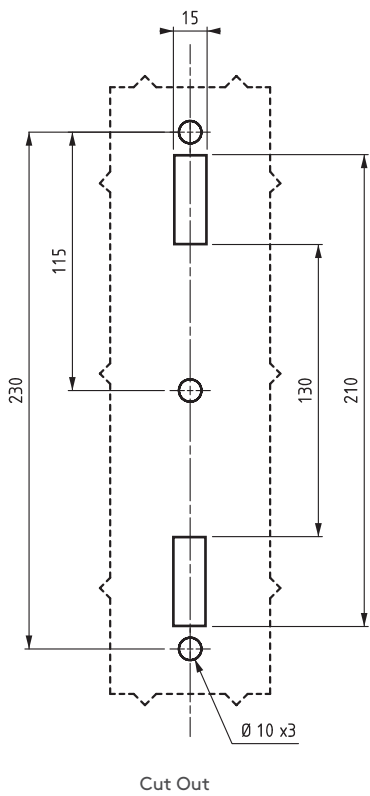
FINISH	F
Chrome	1
Black coated	2

CYLINDER TYPE		DD
	Keyed alike (Stainless steel dust cap)	03
	Keyed differ (Stainless steel dust cap)	32
	Euro key (5333)	05
	CH751 (Stainless steel dust cap)	07

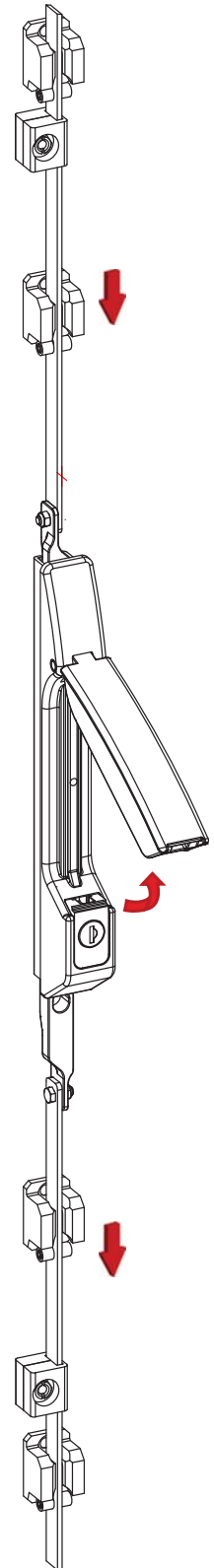
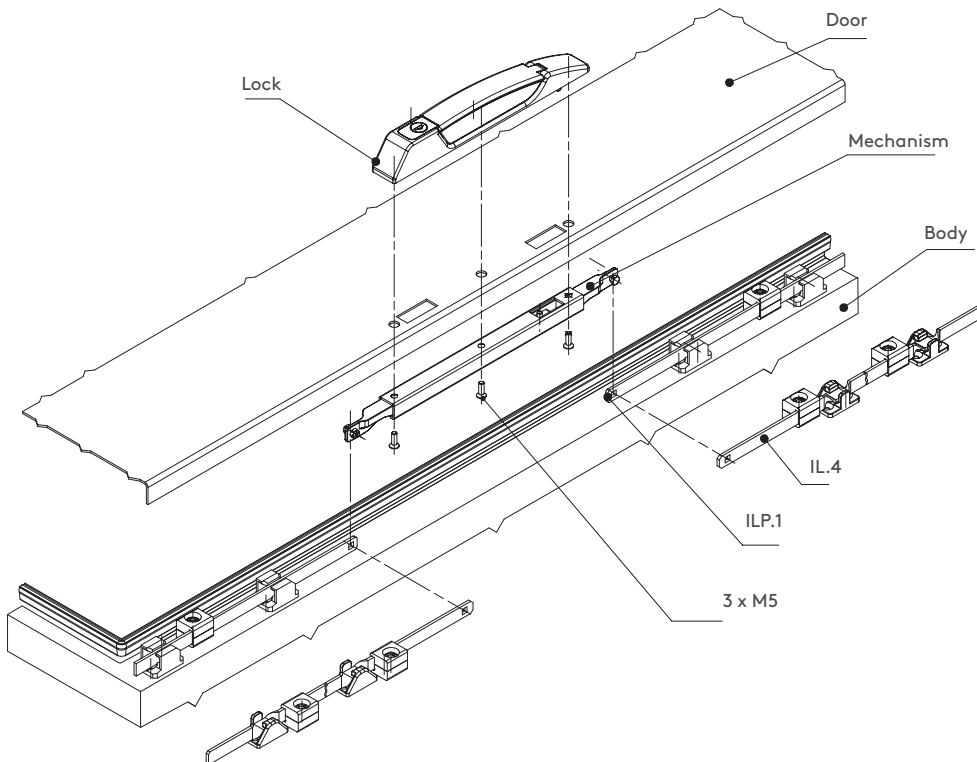


104

LINEAR HANDLE LOCK



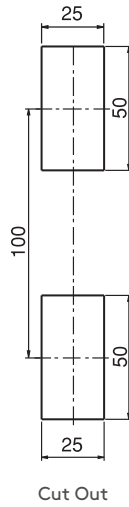
Application



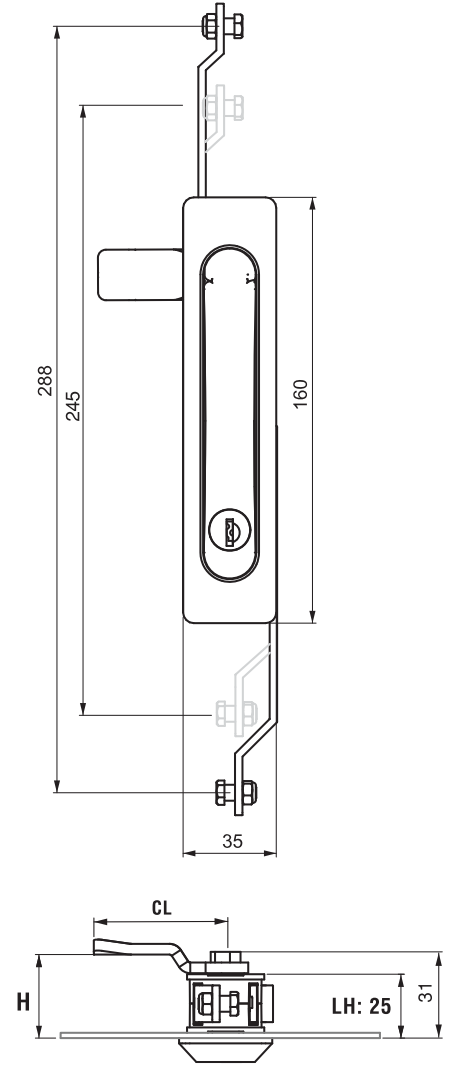
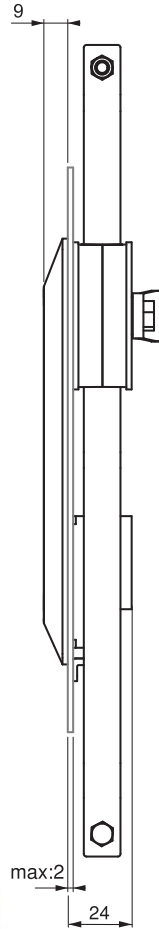
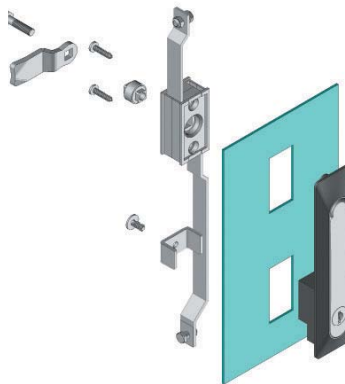
# ROD-LATCH SYSTEM

SWINGHANDLE - ROD CONTROL

109



Cut Out

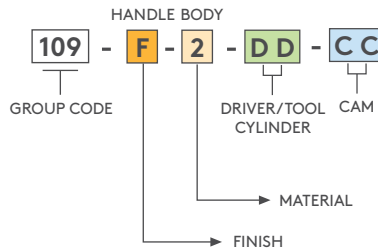


- Ultra-low external profile, just 9 mm, for flush appearance
- Spring loaded, slam-action swinghandle

**MATERIAL**

**BODY:** Polyamide DIN-EN ISO 1043-1 PA6 GFR 30  
**HANDLE:** Zinc Alloy DIN-EN 1774-ZnAl4Cu1  
**MECHANISM:** Zinc Alloy DIN-EN 1774-ZnAl4Cu1  
**CAM:** Steel  
**SEAL:** Polyurethane

**PRODUCT CODE**







MATERIAL	M
Plastic	2




  

FINISH	F
Chrome	1
Black coated	2

HIGH SECURITY CYLINDER	
	
Keyed alike	Keyed differ
20	21

DRIVER/TOOL		
5 mm Double bit	8 mm Square	9 mm Triangular
		
15	28	39

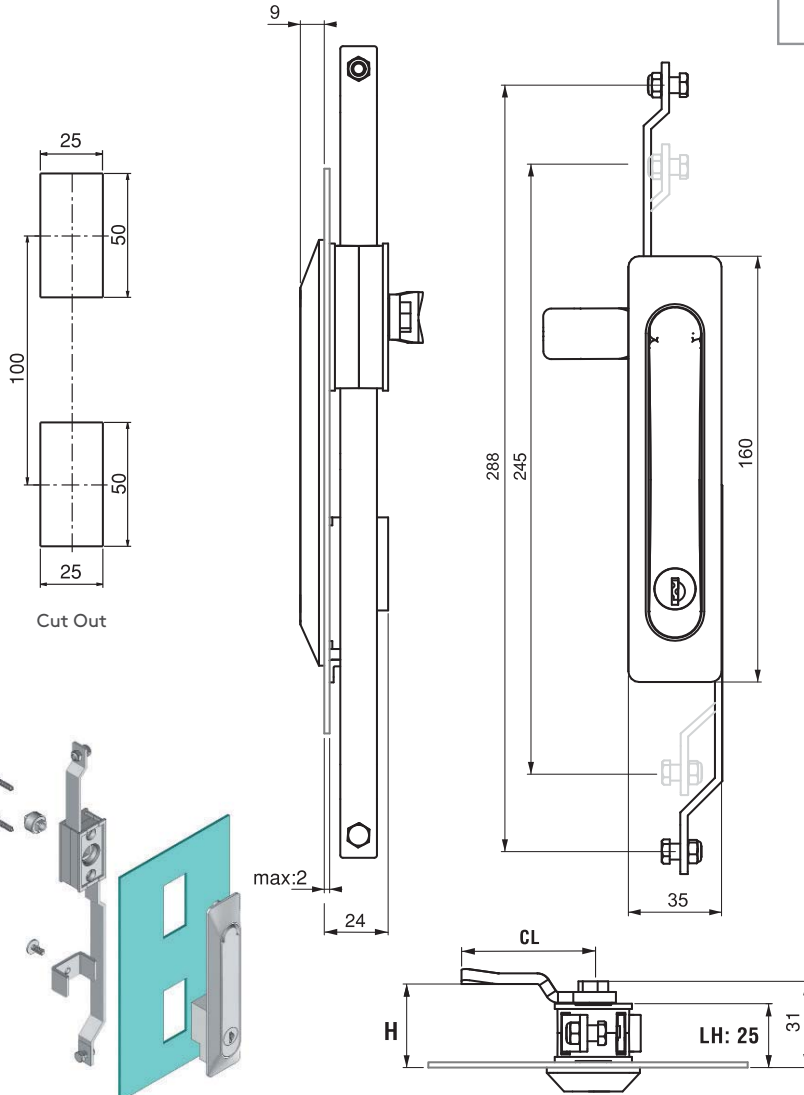
CYLINDER TYPE		DD
	Keyed alike (Stainless steel dust cap)	03
	Keyed differ (Stainless steel dust cap)	32
	Master System	04
	Euro Key (5333)	05
	CH751 (Stainless steel dust cap)	07

-  For cams please check pages: 172 - 173
-  For rods please check pages: 178 - 188
-  For keys please check pages: 189 - 191



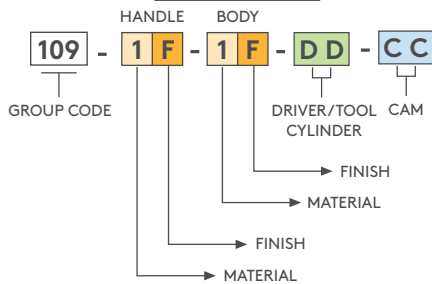
## 109 SWINGHANDLE - ROD CONTROL

ALL IN METAL



- All metal construction
- Stronger and better looking than polyamide
- For customised colors contact Essentra
- Spring loaded, slam-action swinghandle




### PRODUCT CODE




MATERIAL	M
Zinc Alloy	1

FINISH	F
Chrome	1
Black coated	2




HIGH SECURITY CYLINDER	
	
Keyed alike	Keyed differ
20	21

DRIVER/TOOL		
5 mm Double bit	8 mm Square	9 mm Triangular
		
15	28	39

CYLINDER TYPE		DD
	Keyed alike (Stainless steel dust cap)	03
	Keyed differ (Stainless steel dust cap)	32
	Master System	04
	Euro Key (5333)	05
	CH751 (Stainless steel dust cap)	07

### MATERIAL

- BODY:** Zinc Alloy DIN-EN 1774-ZnAl4Cu1
- HANDLE:** Zinc Alloy DIN-EN 1774-ZnAl4Cu1
- MECHANISM:** Zinc Alloy DIN-EN 1774-ZnAl4Cu1
- CAM:** Steel
- SEAL:** Polyurethane

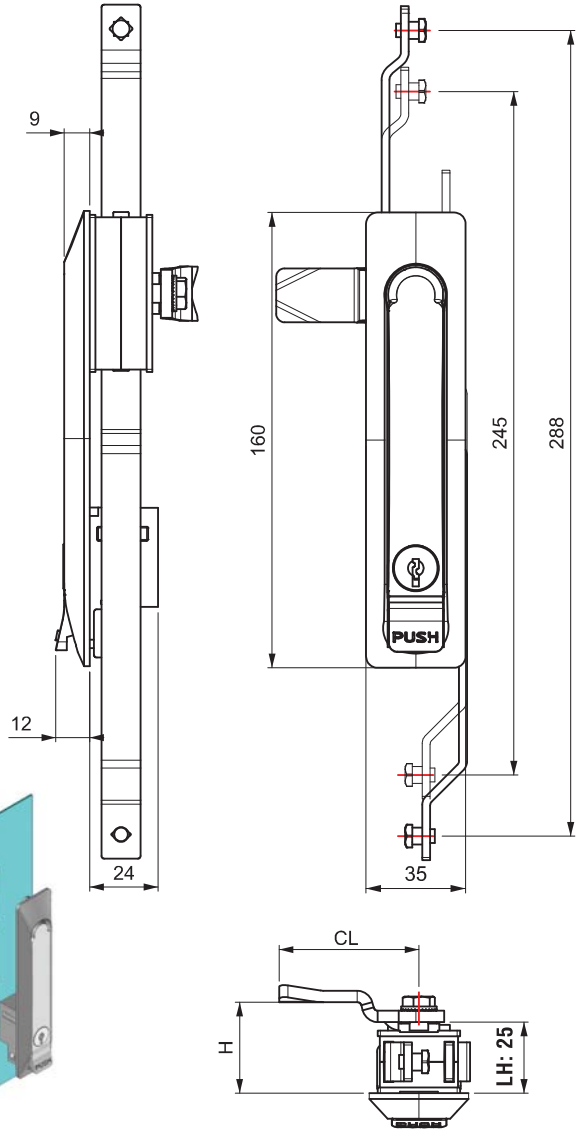
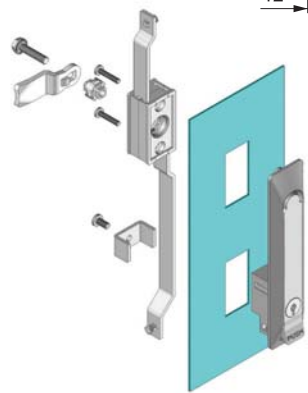
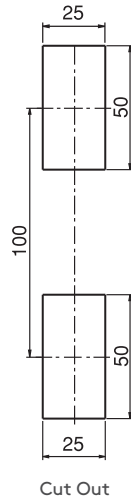
-  For cams please check pages: 172 - 173
-  For rods please check pages: 178- 188
-  For keys please check pages: 189 - 191



# ROD-LATCH SYSTEM

SWINGHANDLE - ROD CONTROL

909



- Swing handle with push button
- Standard cut out
- Ultra low external profile, just 9 mm, to give flush appearance

### MATERIAL

**BODY:** Zinc Alloy DIN-EN 774-ZnAl4Cu1 or PA6 GFR 30

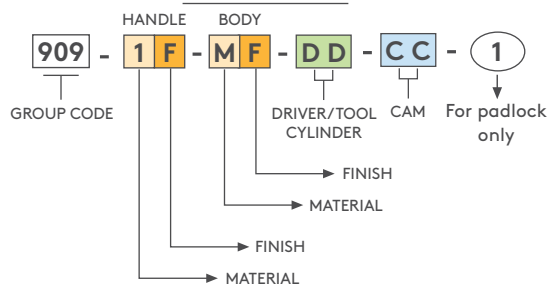
**MECHANISM:** Zinc Alloy DIN-EN 1774-ZnAl4Cu1

**HANDLE:** Zinc Alloy DIN-EN 1774-ZnAl4Cu1

**CAM:** Steel or PA6 GFR 30

**SEAL:** Polyurethane

### PRODUCT CODE



MATERIAL	M
Zinc Alloy	1
Plastic	2

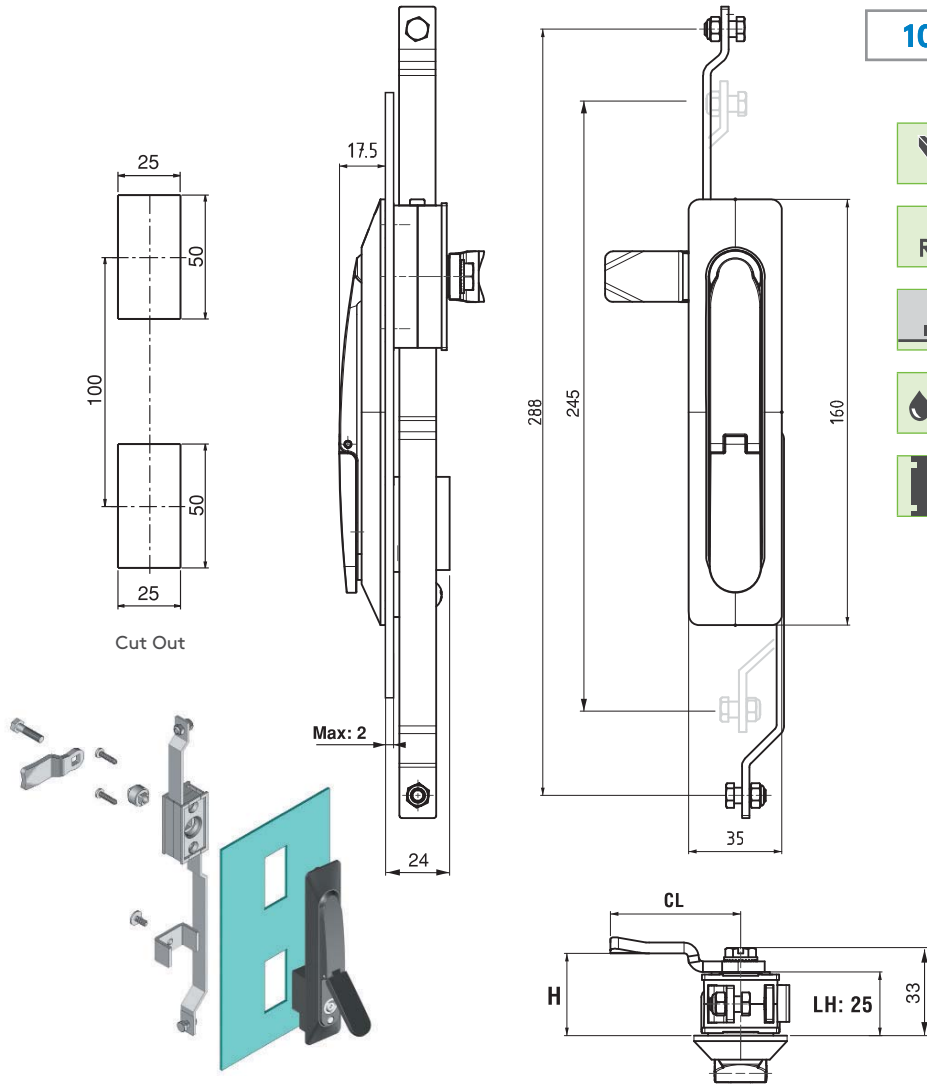
FINISH	F
Chrome	1
Black coated	2
No finish	0

HIGH-SECURITY CYLINDER	
Keyed alike	Keyed differ
20	21

DRIVER/TOOL		
5 mm Double bit	8 mm Square	9 mm Triangular
15	28	39

CYLINDER TYPE		DD
	No Cylinder	00
	Keyed alike (Stainless steel dust cap)	03
	Keyed differ (Stainless steel dust cap)	32
	Master system	04
	Euro key (5333)	05
	CH751 (Stainless steel dust cap)	07

- For cams please check pages: 172 - 173
- For rods please check pages: 178 - 188
- For keys please check pages: 189 - 191



109

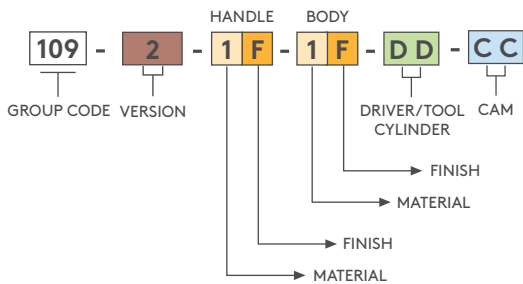
SWINGHANDLE - ROD CONTROL

ALL IN METAL



- All metal construction
- Improved corrosion resistance
- High-security cylinder alternative
- Improved IP resistance with moving dust cap




### PRODUCT CODE




MATERIAL	M
Zinc Alloy	1

FINISH	F
Chrome	1
Black coated	2




HIGH-SECURITY CYLINDER	
 Keyed alike	 Keyed differ
20	21

DRIVER/TOOL		
 5 mm Double bit	 8 mm Square	 9 mm Triangular
15	28	39

CYLINDER	SPECIFICATIONS	DD
	Keyed alike (Stainless steel dust cap)	03
	Keyed differ (Stainless steel dust cap)	32
	Master system	04
	Euro key (5333)	05
	CH751 (Stainless steel dust cap)	07

### MATERIAL

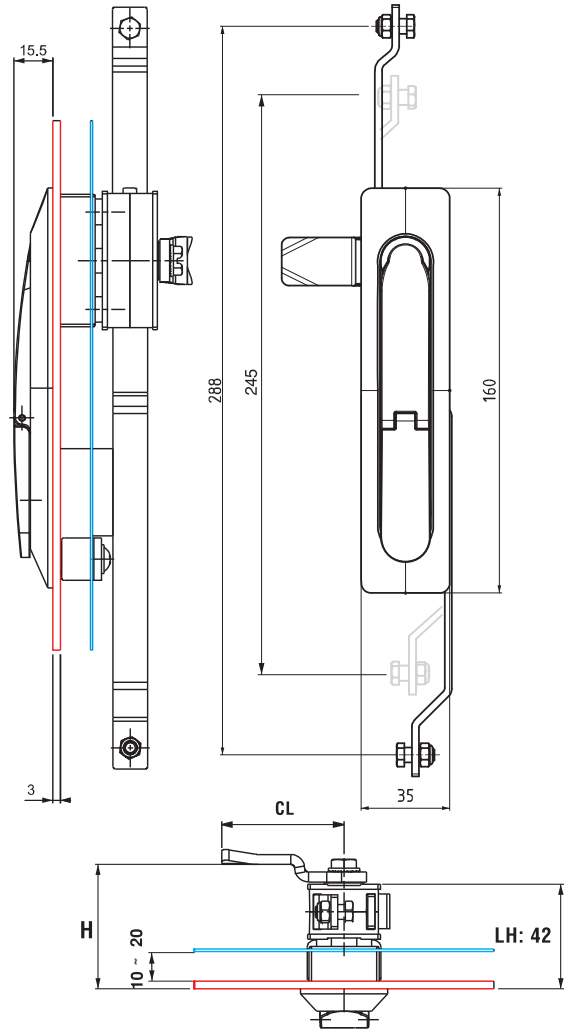
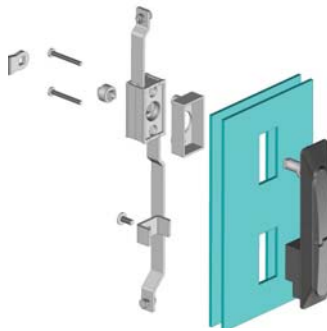
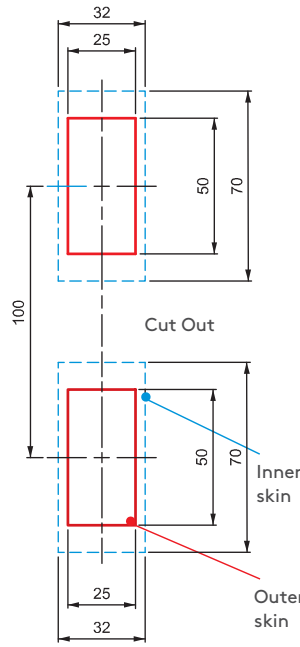
- BODY:** Zinc Alloy DIN-EN 1774-ZnAl4Cu1
- HANDLE:** Zinc Alloy DIN-EN 1774-ZnAl4Cu1
- MECHANISM:** Zinc Alloy DIN-EN 1774-ZnAl4Cu1
- CAM:** Steel
- SEAL:** Polyurethane

-  For cams please check pages: 172 - 173
-  For rods please check pages: 178 - 188
-  For keys please check pages: 189 - 191

# ROD-LATCH SYSTEM

## SWINGHANDLE - ROD CONTROL

109



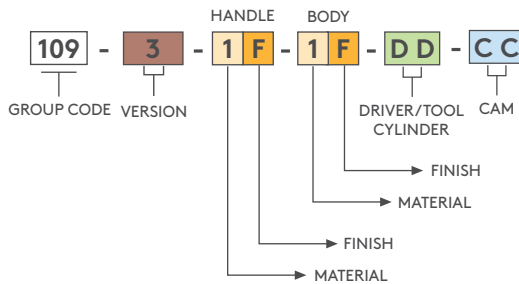
The swing handle can be modified per double-skin panel thickness.

- Ideal for double-skin doors and outdoor cabinets
- Stronger body to protect against vandalism
- High-security cylinder with specially shaped key prevents unauthorized duplication
- Improved IP resistance with moving dust cap
- Spring-loaded handle, slam action

### MATERIAL

**BODY:** Zinc Alloy DIN-EN 1774-ZnAl4Cu1  
**HANDLE:** Zinc Alloy DIN-EN 1774-ZnAl4Cu1  
**MECHANISM:** Zinc Alloy DIN-EN 1774-ZnAl4Cu1  
**CAM:** Steel  
**SEAL:** Polyurethane

### PRODUCT CODE



MATERIAL	M
Zinc Alloy	1

FINISH	F
Chrome	1
Black coated	2

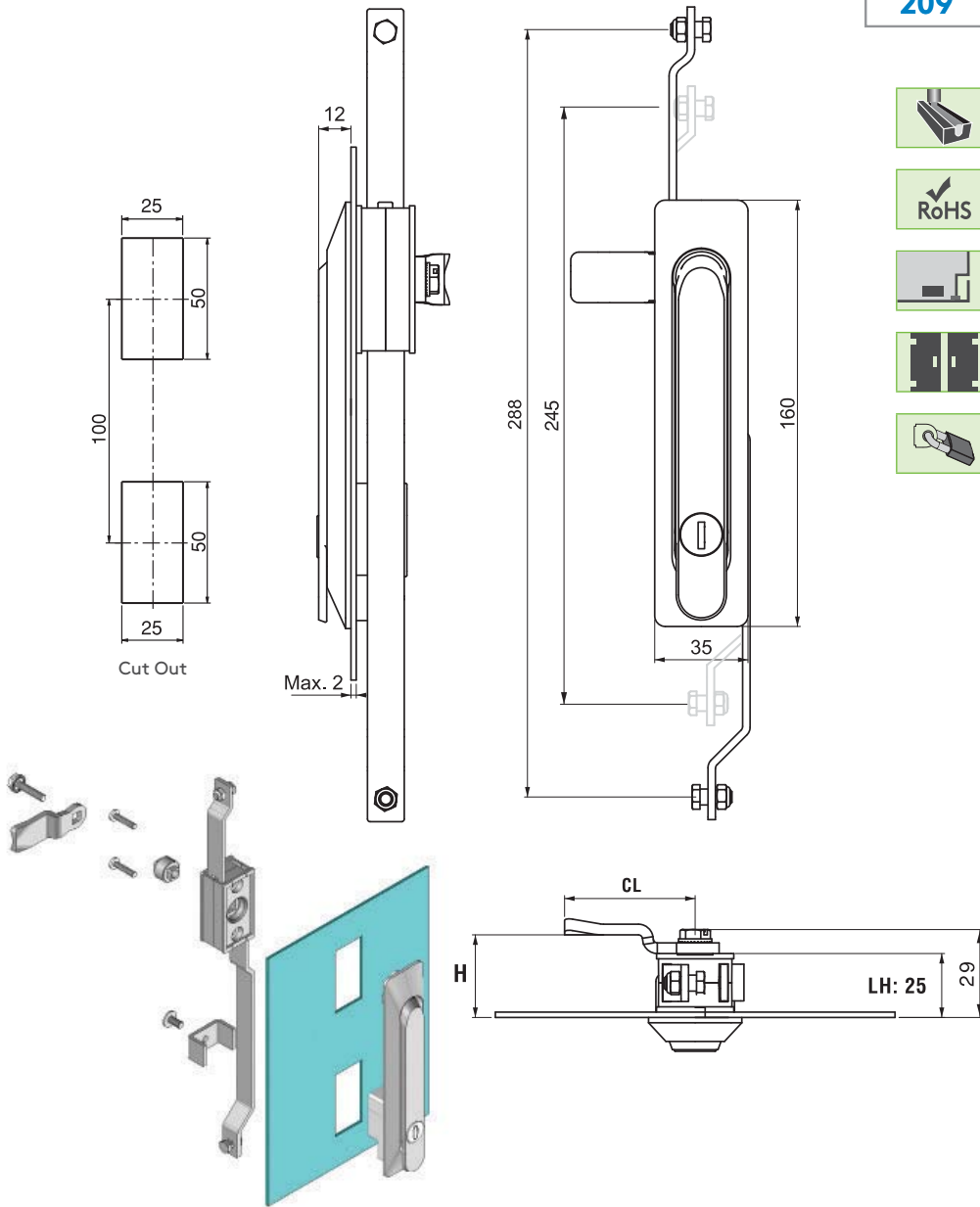
HIGH-SECURITY CYLINDER	
Keyed alike	Keyed differ
20	21

DRIVER/TOOL		
5 mm Double bit	8 mm Square	9 mm Triangular
15	28	39

CYLINDER	SPECIFICATIONS	DD
	Keyed alike (Stainless steel dust cap)	03
	Keyed differ (Stainless steel dust cap)	32
	Master system	04
	Euro key (5333)	05
	CH751 (Stainless steel dust cap)	07

For cams please check pages: 172 - 173

For rods please check pages: 178 - 188



**209**

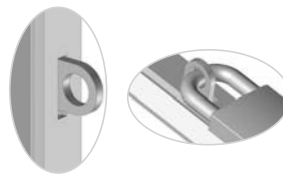
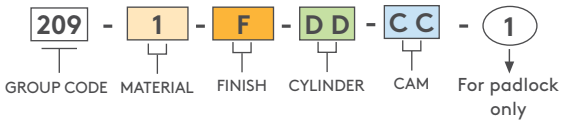
**SWINGHANDLE - ROD CONTROL**

**ALL IN METAL**



- All metal construction
- Stronger and better looking than polyamide
- Handle is not spring loaded and slam action
- Can remove key in unlocked position

**PRODUCT CODE**




①

Padlock application

MATERIAL	M
Zinc Alloy	1


FINISH	F
Chrome	1
Black coated	2

CYLINDER	SPECIFICATIONS	DD
	Keyed alike (Stainless steel dust cap)	03
	Keyed differ (Stainless steel dust cap)	32
	Master system	04
	Euro key (5333)	05
	CH751 (Stainless steel dust cap)	07

**MATERIAL**

- BODY:** Zinc Alloy DIN-EN 1774-ZnAl4Cu1  
**HANDLE:** Zinc Alloy DIN-EN 1774-ZnAl4Cu1  
**MECHANISM:** Zinc Alloy DIN-EN 1774-ZnAl4Cu1  
**CAM:** Steel  
**SEAL:** Polyurethane

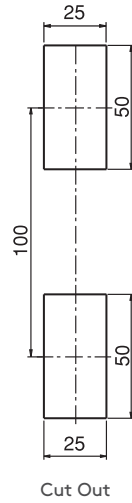
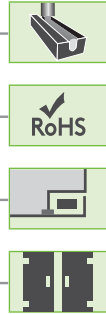
 For cams please check pages: 172 - 173

 For rods please check pages: 178- 188

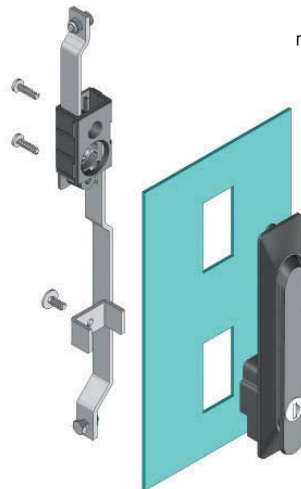
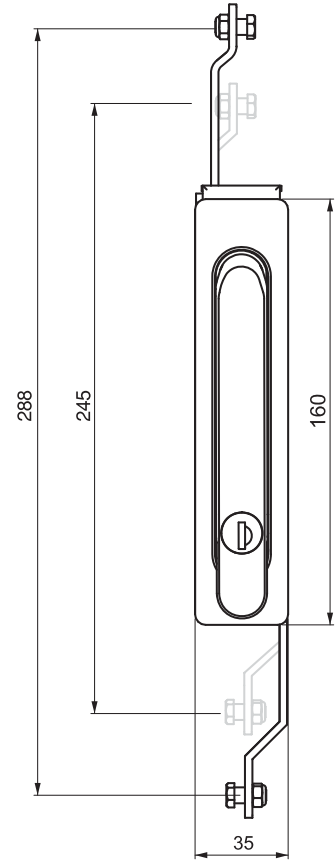
# ROD-LATCH SYSTEM

SWINGHANDLE - ROD CONTROL

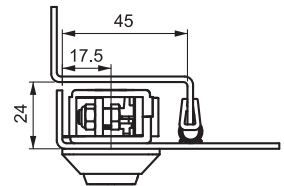
209



Cut Out



Outside of gasketing

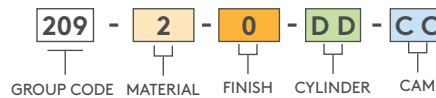


- Small version: page 80
- Swinghandle can be applied outside gasketing
- Special gearbox is used
- Provides 3 point locking
- Offers an economical solution

**MATERIAL**

BODY: Polyamide DIN-EN ISO 1043-1 PA6 GFR 30  
 MECHANISM: PA66  
 HANDLE: Polyamide DIN-EN ISO 1043-1 PA6 GFR 30  
 SEAL: Polyurethane

**PRODUCT CODE**



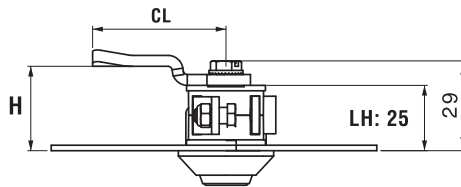
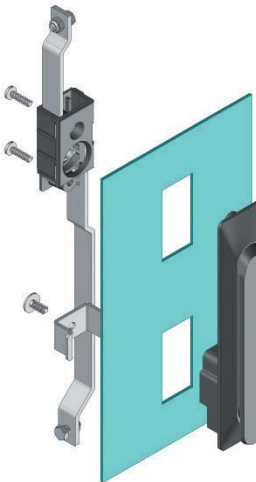
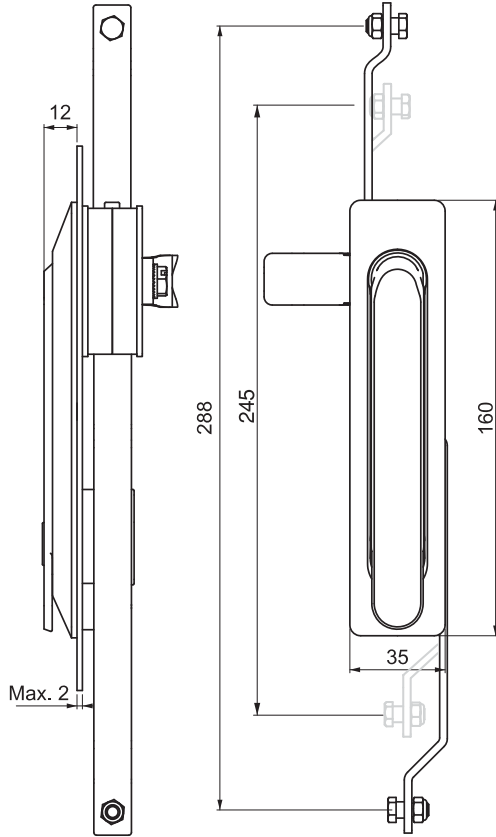
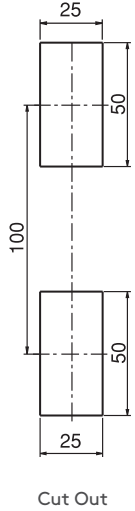
For three-point application please use "CC" number for cam instead of "00".

CYLINDER	SPECIFICATIONS	DD
	Keyed alike (Stainless steel dust cap)	03
	Keyed differ (Stainless steel dust cap)	32
	Master system	04
	Euro key (5333)	05
	CH751 (Stainless steel dust cap)	07

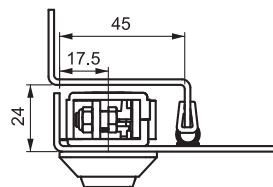
For cams please check pages: 172 - 173  
 For rods please check pages: 178 - 188



**219** SWINGHANDLE - ROD CONTROL



Outside of gasketing

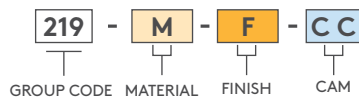


- Small version: page 81
- Concealed special cam on handle provides fixing
- Swinghandle can be applied outside gasketing
- Offers an economical solution

**MATERIAL**

BODY: Zinc Alloy DIN-EN 1774-ZnAl4Cu1 or PA6 GFR 30  
 HANDLE: Zinc Alloy DIN-EN 1774-ZnAl4Cu1 or PA6 GFR 30  
 MECHANISM: PA66  
 CAM: Steel  
 SEAL: Polyurethane

**PRODUCT CODE**



MATERIAL	M	FINISH	F
Zinc Alloy	1	Chrome	1
		Black coated	2
Plastic	2	No finish	0

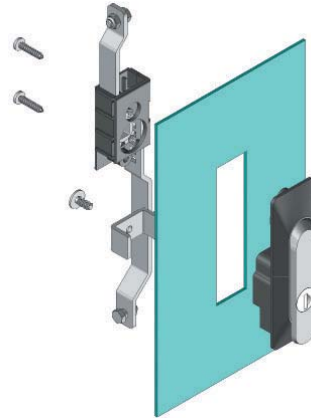
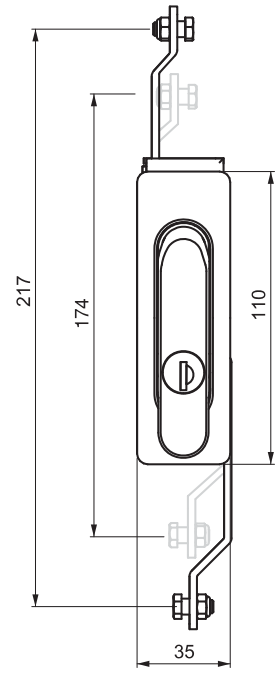
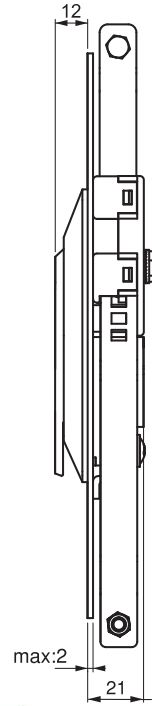
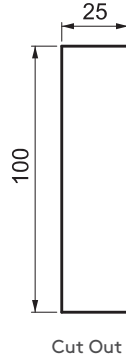
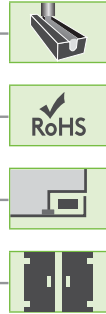
For cams please check pages: 172 - 173  
 For rods please check pages: 178- 188

# ROD-LATCH SYSTEM

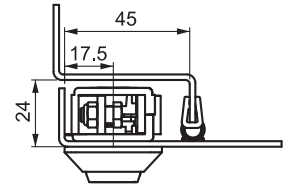
## SWINGHANDLE - ROD CONTROL

309

### SMALL VERSION



Outside of gasketing



- Large version: page 78
- Swinghandle can be applied outside gasketing
- Special gear-box is used
- Three-point locking
- 25 mm x 100 mm cut out

#### MATERIAL

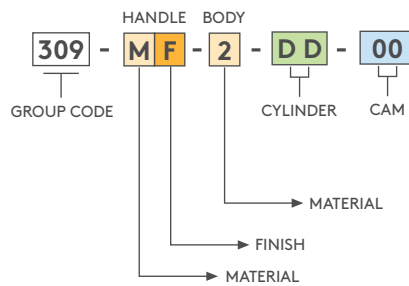
BODY: Polyamide DIN-EN ISO 1043-1 PA6 GFR 30

MECHANISM: PA66

HANDLE: Zinc Alloy DIN-EN 1774-ZnAl4Cu1 or PA6 GFR 30

SEAL: Polyurethane

#### PRODUCT CODE



For three-point application please use "CC" number for cam instead of "00".

MATERIAL	M	FINISH	F
Zinc Alloy	1	Chrome	1
		Black coated	2
Plastic	2	No finish	0

#### HIGH-SECURITY CYLINDER



Keyed alike

Keyed differ

20

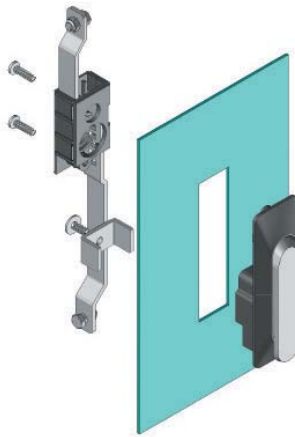
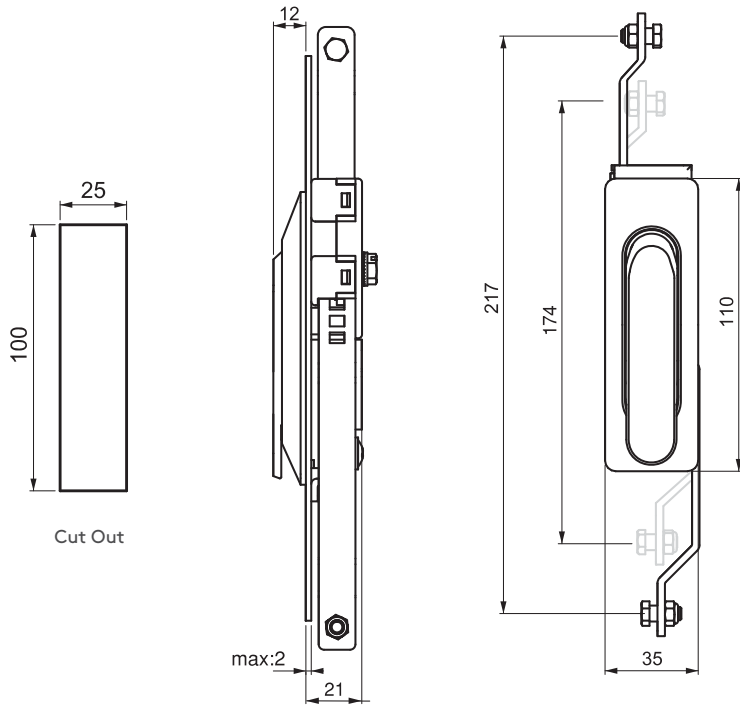
21

CYLINDER	SPECIFICATIONS	DD
	Keyed alike (Stainless steel dust cap)	03
	Keyed differ (Stainless steel dust cap)	32
	Master system	04
	Euro key (5333)	05
	CH751 (Stainless steel dust cap)	07

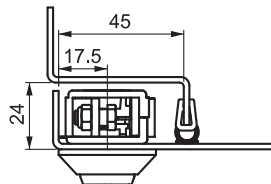
For cams please check pages: 172 - 173

For rods please check pages: 178 - 188





Outside of gasketing



## 319 SWINGHANDLE - ROD CONTROL

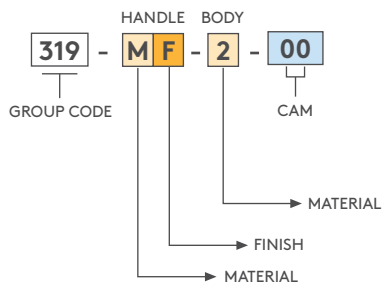
SMALL VERSION



- Large version: page 79
- Concealed special cam on handle provides locking
- A special gearbox is used
- Three- point locking
- 25 mm x 100 mm cut out

**MATERIAL**  
 BODY: Polyamide DIN-EN ISO 1043-1 PA6 GFR 30  
 MECHANISM: PA66  
 HANDLE: Zinc Alloy DIN-EN 1774-ZnAl4Cu1 or PA6 GFR 30  
 SEAL: Polyurethane

### PRODUCT CODE



For three-point application please use "CC" number for cam instead of "00".

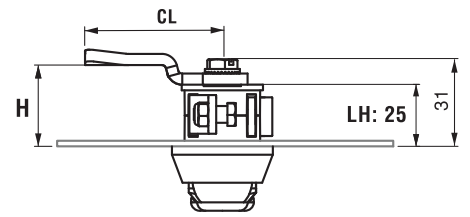
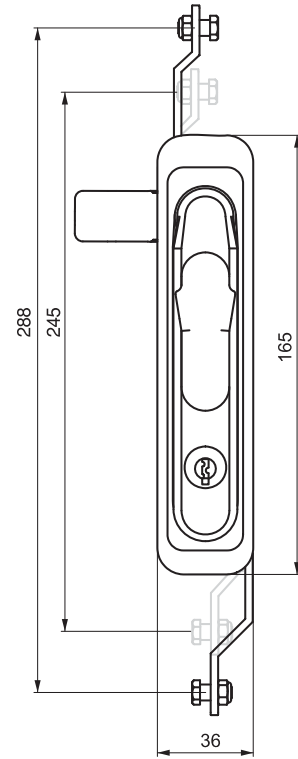
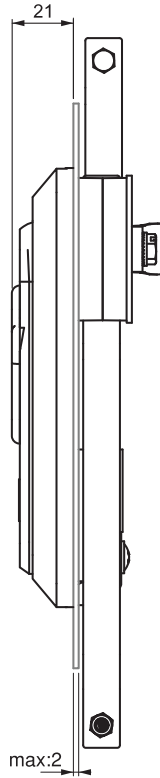
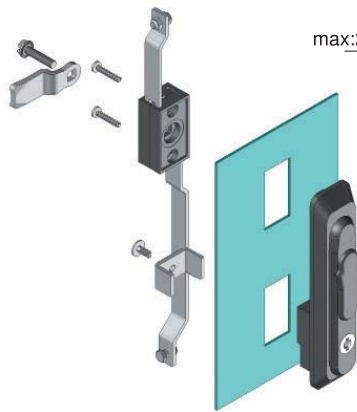
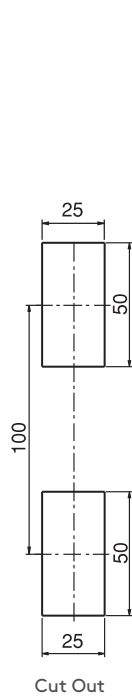
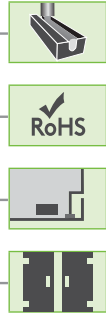
MATERIAL	M	FINISH	F
Zinc Alloy	1	Chrome	1
		Black coated	2
Plastic	2	No finish	0

For cams please check pages: 172 - 173  
 For rods please check pages: 178- 188

# ROD-LATCH SYSTEM

SWINGHANDLE - ROD CONTROL

007

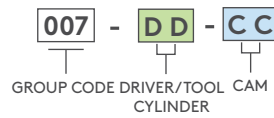


- Lower strength swing-handle that accepts cylindrical DRIVER/TOOL only
- Spring-loaded, slam-action swinghandle
- Can use indoors
- Competitive price with polyamide gearbox

**MATERIAL**

BODY: Polyamide DIN-EN ISO 1043-1 PA6 GFR 30  
 HANDLE: PA6 GFR 30  
 MECHANISM: PA6 GFR 30  
 CAM: Steel  
 SEAL: Polyurethane

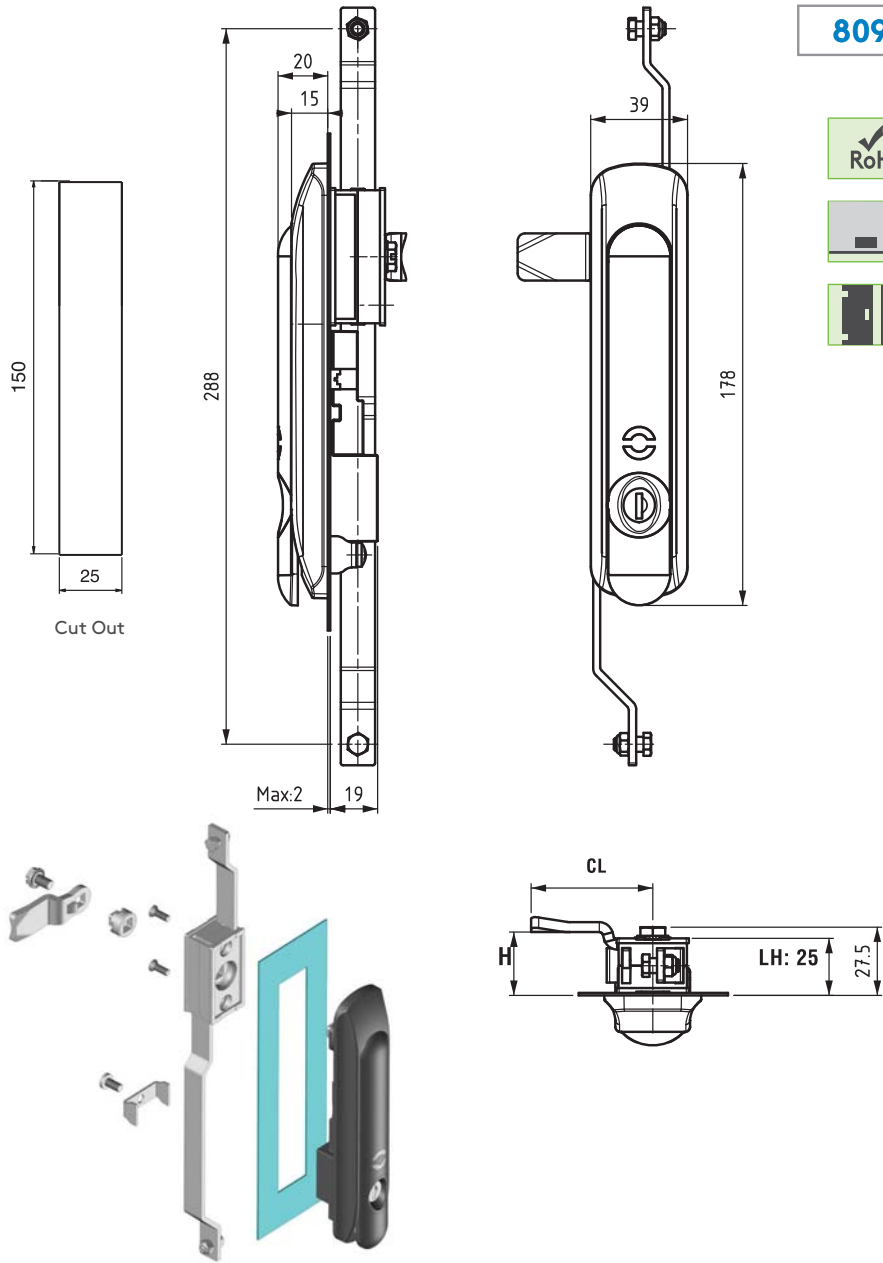
**PRODUCT CODE**



DRIVER/TOOL		
5 mm Double bit	8 mm Square	9 mm Triangular
15	28	39

CYLINDER TYPE		DD
	Keyed alike (Stainless steel dust cap)	03
	Keyed differ (Stainless steel dust cap)	32
	Euro key (5333)	05
	CH751 (Stainless steel dust cap)	07

- For cams please check pages: 172 - 173
- For rods please check pages: 178 - 188
- For keys please check pages: 189 - 191



**809** SWINGHANDLE - ROD CONTROL

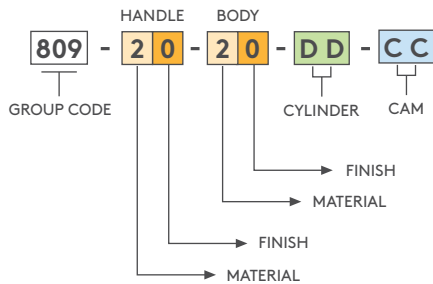


- Offers an economical solution

**MATERIAL**

**BODY:** Polyamide DIN-EN ISO 1043-1 PA6 GFR 30  
**MECHANISM:** Zinc Alloy DIN-EN 1774-ZnAl4Cu1  
**HANDLE:** Polyamide DIN-EN ISO 1043-1 PA6 GFR 30  
**SEAL:** Polyurethane

**PRODUCT CODE**



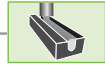
CYLINDER	SPECIFICATIONS	DD
	Keyed alike (Stainless steel dust cap)	03
	Keyed differ (Stainless steel dust cap)	32
	Master system	04
	Euro key (5333)	05
	CH751 (Stainless steel dust cap)	07

For cams please check pages: 172 - 173  
 For rods please check pages: 178- 188

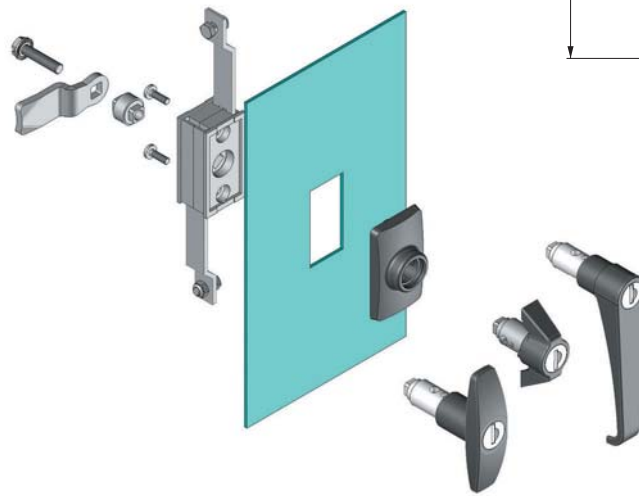
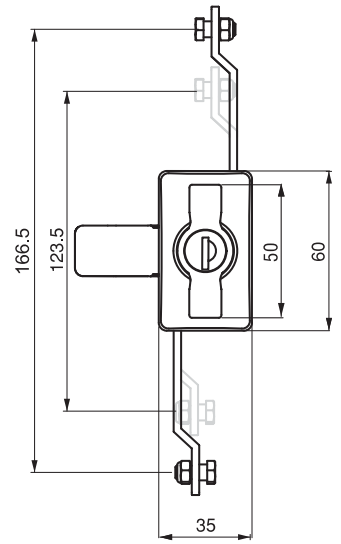
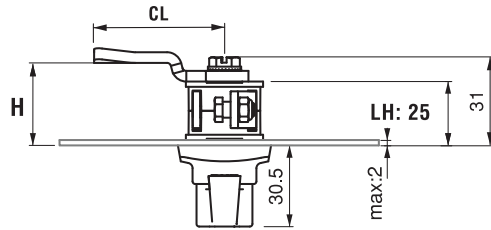
# ▶ ROD LATCH SYSTEM

## THREE-POINT LOCK – WING KNOB

103



V : 2



- Wing knob, T handle and L handle available
- Optional blind version
- Standard 25 mm x 50 mm cut out

### MATERIAL

BODY: Zinc Alloy or PA6 GFR 30

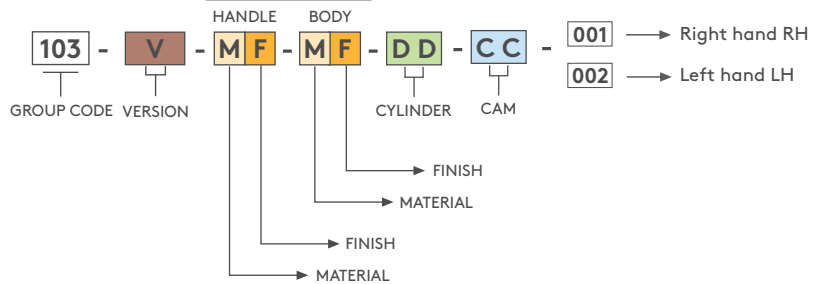
HANDLE: Zinc Alloy or PA6 GFR 30

MECHANISM: Zinc Alloy DIN-EN 1774-ZnAl4Cu1

CAM: Steel

SEAL: Polyurethane

### PRODUCT CODE



No cylinder '00'



MATERIAL	M	FINISH	F
Zinc Alloy	1	Chrome	1
		Black coated	2
Plastic	2	No finish	0

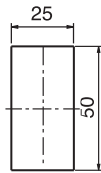
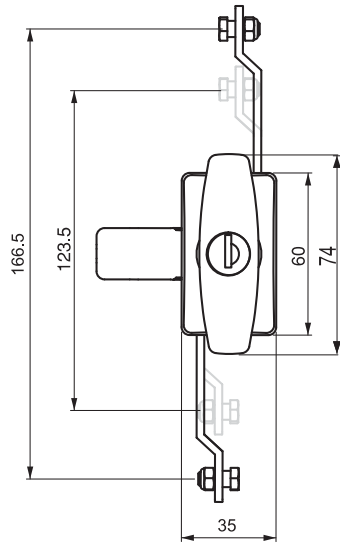
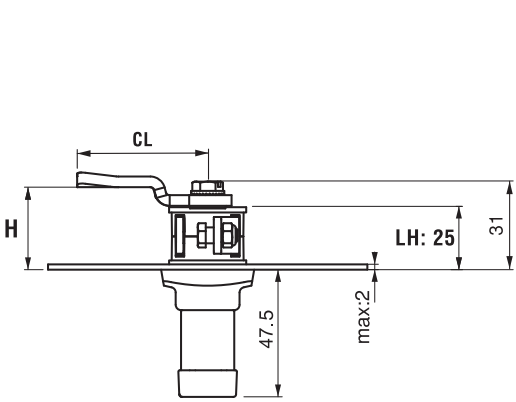
CYLINDER	SPECIFICATIONS	DD
	No cylinder	00
	Keyed alike (Stainless steel dust cap)	03
	Keyed differ (Stainless steel dust cap)	32
	Euro key (5333)	05
	CH751 (Stainless steel dust cap)	07

For cams please check pages: 172 - 173

For rods please check pages: 178- 188

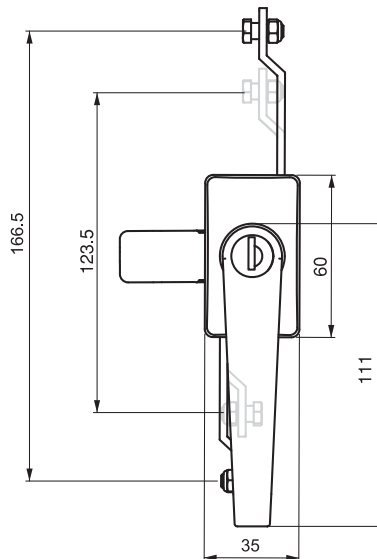
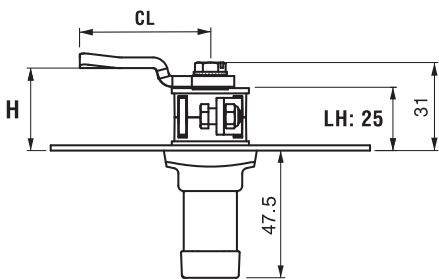


V : 3



Cut Out

V : 4



103

THREE-POINT LOCK - T HANDLE



103

THREE-POINT LOCK - L HANDLE



For cams please check pages: 172 - 173

For rods please check pages: 150- 161

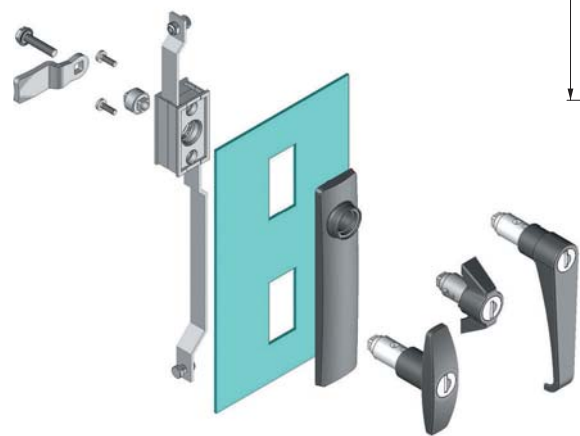
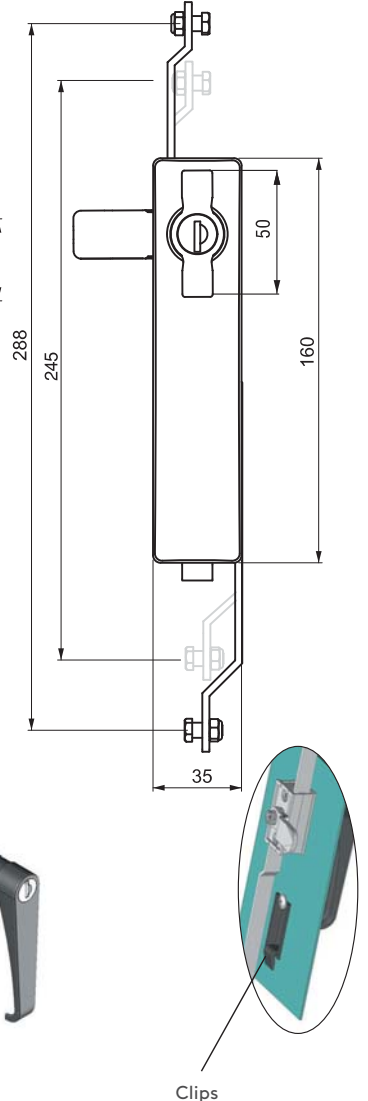
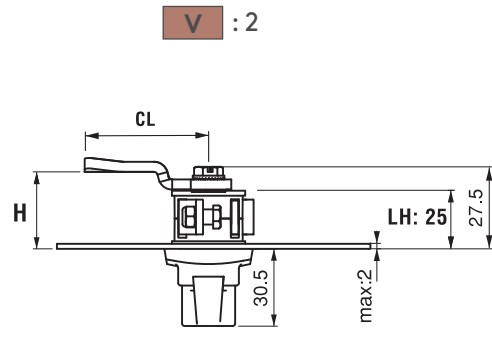
# ▶ ROD-LATCH SYSTEM

## THREE-POINT LOCK – WING KNOB

203



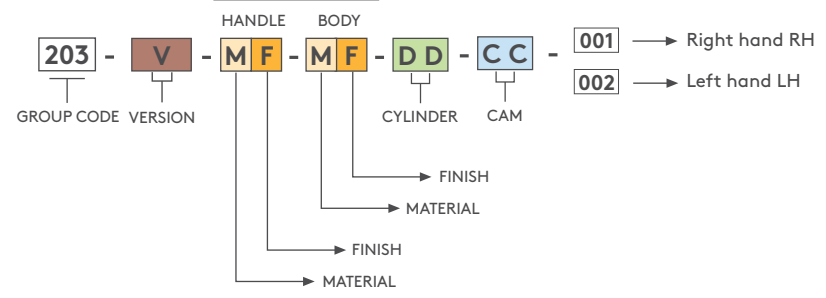
- IP 54
- RoHS
- 



- Clip fixing for easy assembly
- Wing knob, T handle and L handle available with three point locking
- Optional blind version
- For doors with standard swinghandle cut out

**MATERIAL**  
 BODY: PA6 GFR 30  
 HANDLE: Zinc Alloy or PA6 GFR 30  
 MECHANISM: Zinc Alloy DIN-EN 1774-ZnAl4Cu1  
 CAM: Steel  
 SEAL: Polyurethane

### PRODUCT CODE

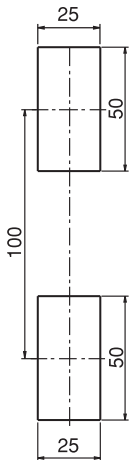
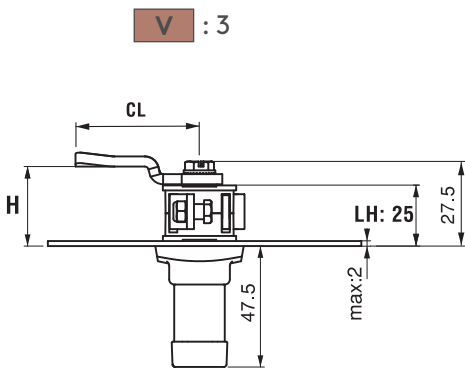


MATERIAL	M	FINISH	F
Zinc Alloy	1	Chrome	1
Plastic	2	Black coated	2
		No finish	0

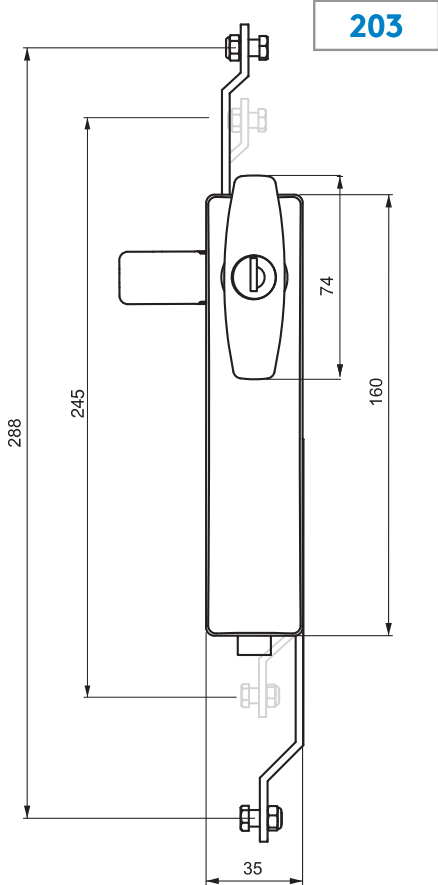
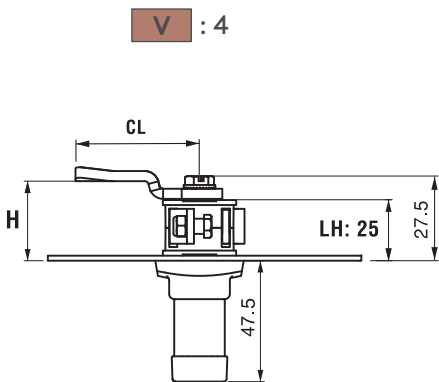
No cylinder '00'



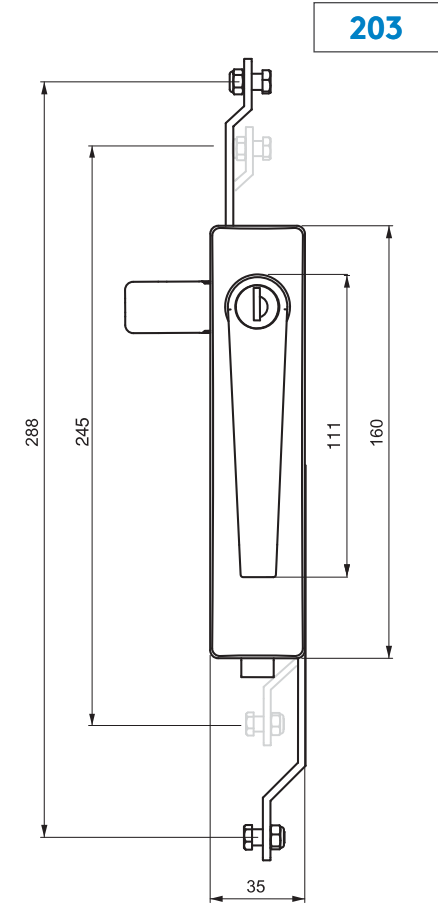
CYLINDER	SPECIFICATIONS	DD
	No cylinder	00
	Keyed alike (Stainless steel dust cap)	03
	Keyed differ (Stainless steel dust cap)	32
	Euro key (5333)	05
	CH751 (Stainless steel dust cap)	07



Cut Out



203 THREE-POINT LOCK - T HANDLE



203 THREE POINT LOCK - L HANDLE





# ROD-LATCH SYSTEM

## THREE-POINT LOCK

**203**

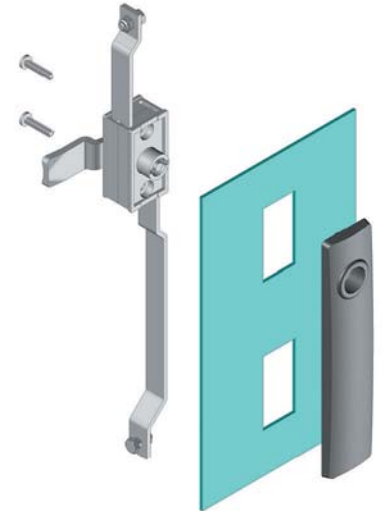
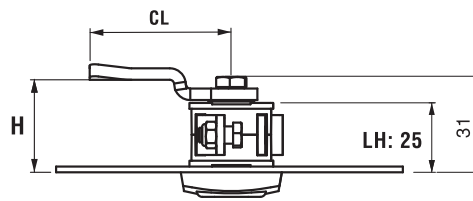
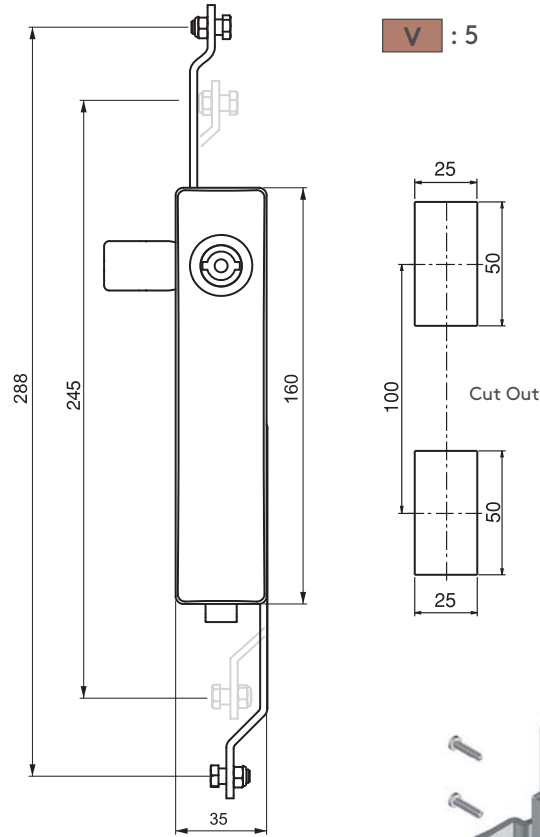


- IP 54
- RoHS
- 
- 
- 

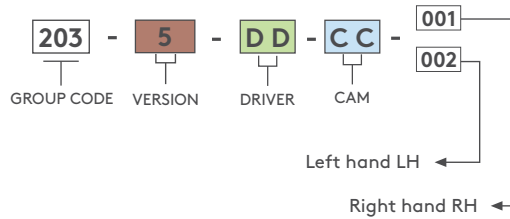
- Clip fixing for easy assembly
- Integral gear-box for three-point locking

**MATERIAL**

BODY: PA6 GFR 30  
 MECHANISM: Zinc Alloy DIN-EN 1774-ZnAl4Cu1  
 CAM: Steel  
 SEAL: Polyurethane



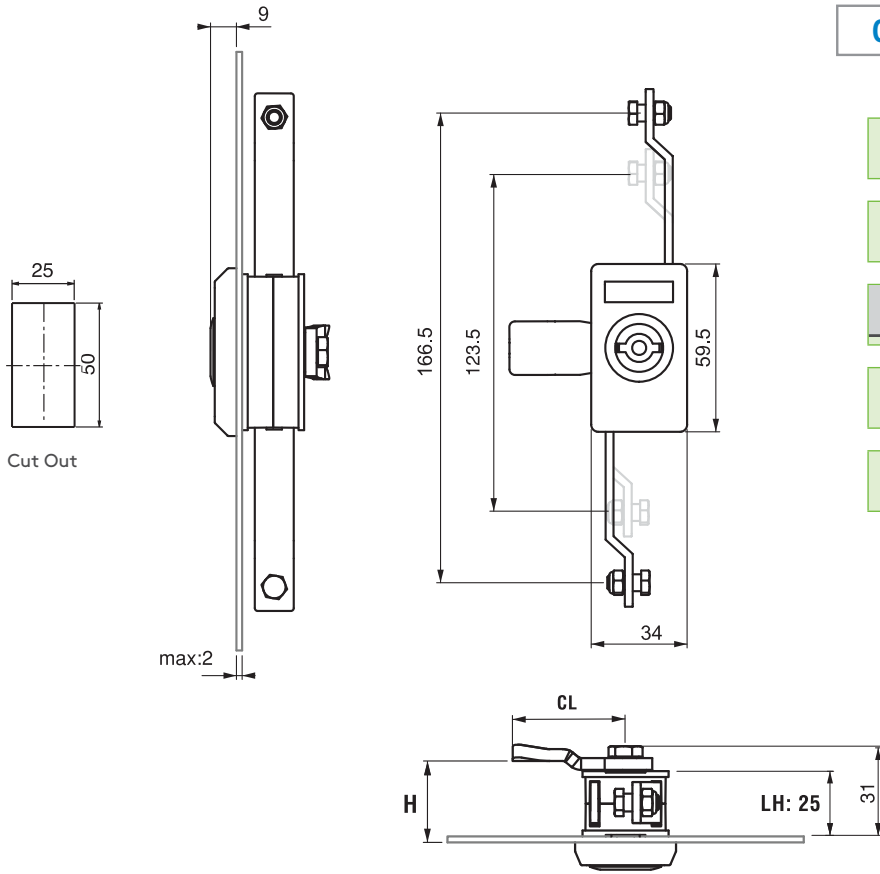
**PRODUCT CODE**



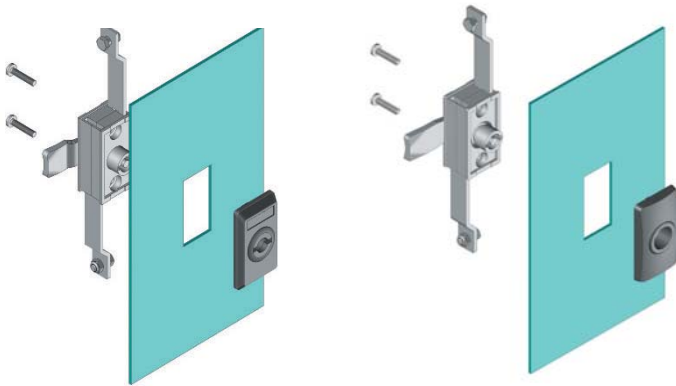
**DRIVERS**

5 mm Double bit	8 mm Square	9 mm Triangular
15	28	39

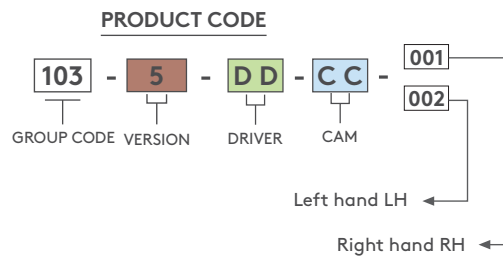
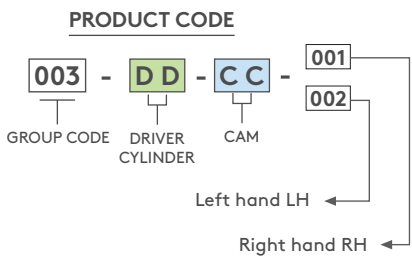
- For cams please check pages: 172 - 173
- For rods please check pages: 178 - 188
- For keys please check pages: 189 - 191



**003** THREE-POINT LOCK



**103** THREE-POINT LOCK

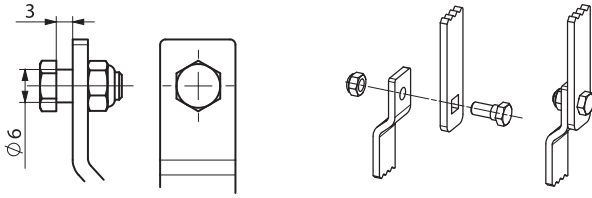


DRIVERS		
5 mm Double bit	8 mm Square	9 mm Triangular
15	28	39

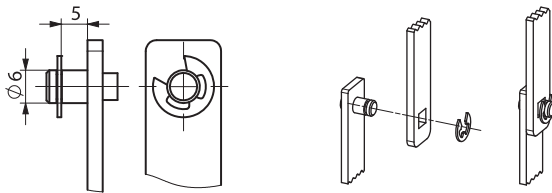
For cams please check pages: 172 - 173  
 For rods please check pages: 178- 188  
 For keys please check pages: 189 - 191

# ROD-LATCH SYSTEM

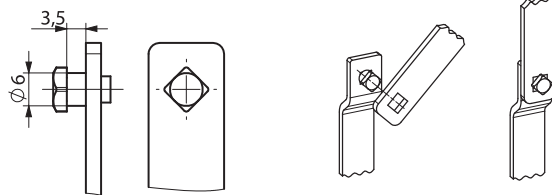
**M : 1** Stepped bolt



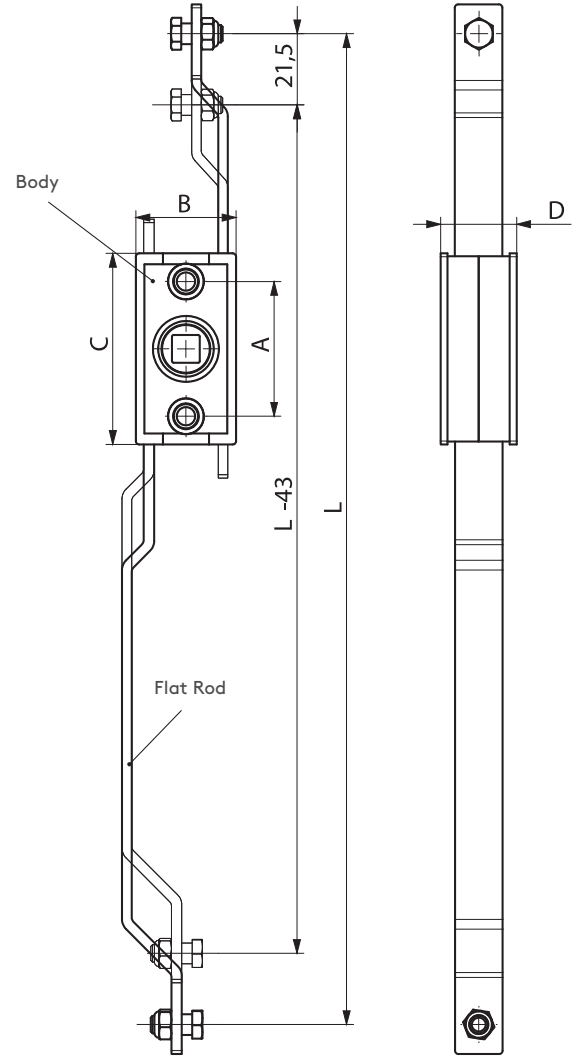
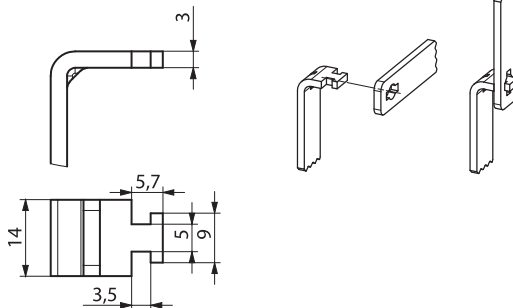
**M : 2** With snap ring



**M : 3** Square riveted



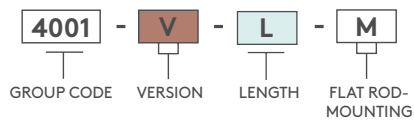
**M : 4** 'T'- tipped



L mm
217
278
288
347
166
125



PRODUCT CODE

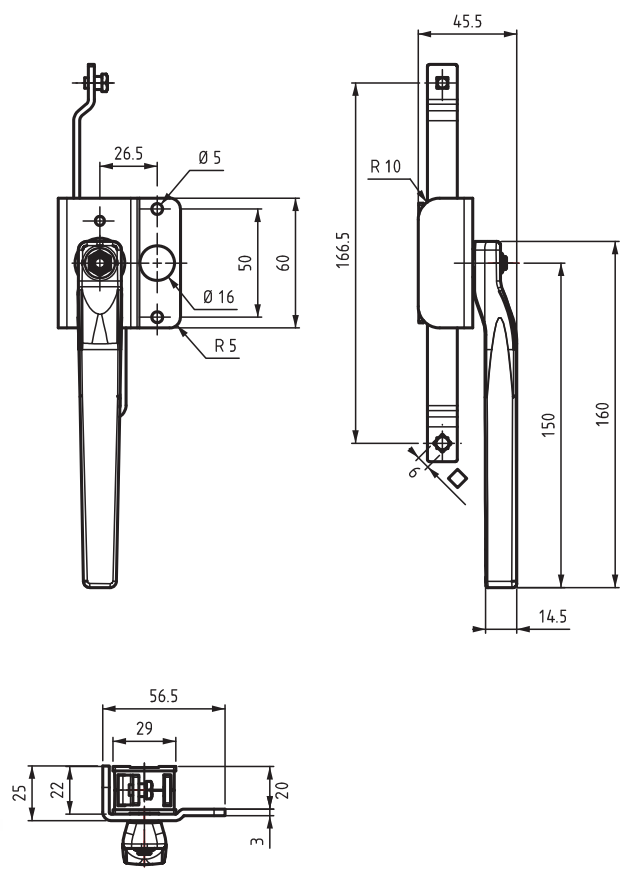


V	MECHANISM		A	B	C	D
	Body	Flat rod				
1	Zinc Alloy	Steel	39	29	55	22
2	Plastic	Steel	39	29	55	22
3	Zinc Alloy (with Stopper)	Steel	39	29	55	22
4	Stainless steel	Stainless steel	39	29	55	22
5	Zinc Alloy (D: 19mm)	Stainless steel	39	27	55	19
6	Zinc Alloy (A: 38 mm)	Stainless steel	39	29	55	22

# ▶ ROD LATCH SYSTEM

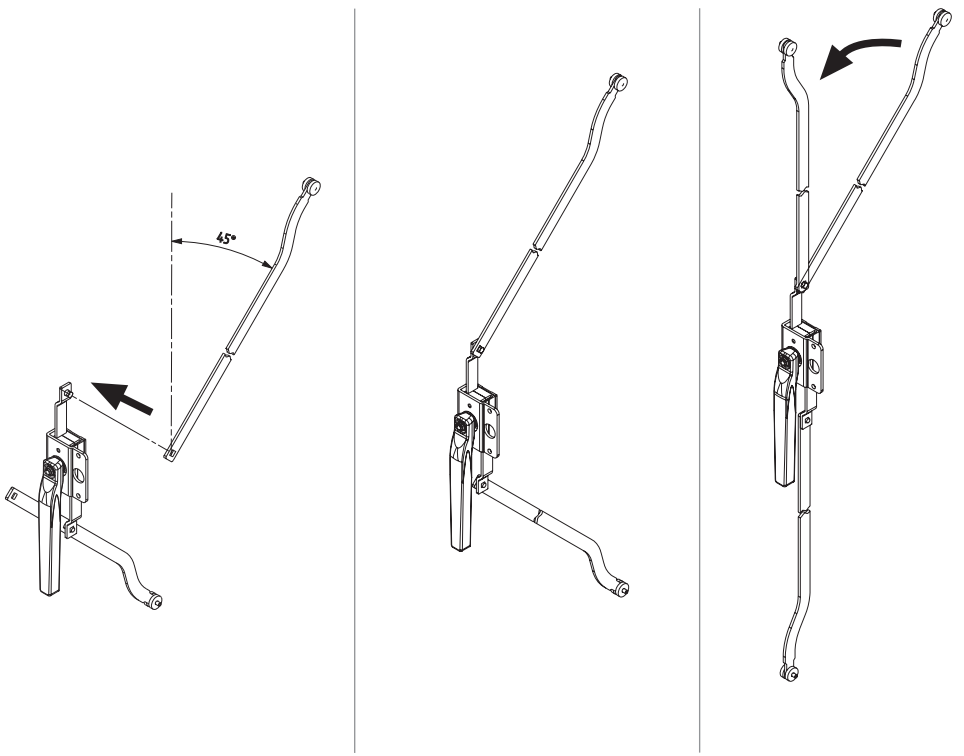
## INTERNAL LOCKING SYSTEM

303



- For double-door cabinets to lock single door from inside

**MATERIAL**  
 HANDLE: Zinc Alloy DIN-EN 1774-ZnAl4Cu1  
 MECHANISM: Zinc Alloy DIN-EN 1774-ZnAl4Cu1



For cams please check pages: 172 - 173  
 For rods please check pages: 178- 188



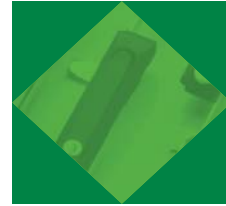


# LATCHES/LOCKS



## HEAVY-DUTY LATCHES

GROUP CODE	PRODUCT NAME
016	PUSH-TO-CLOSE
216	PUSH-TO-CLOSE
316	PUSH-TO-CLOSE
116	PUSH-TO-CLOSE
214	T HANDLE HEAVY DUTY LOCK
114	MINI T HANDLE CABINET LOCK
014	T HANDLE HEAVY DUTY LOCK
015	T HANDLE HEAVY DUTY LOCK
115	T HANDLE HEAVY DUTY LOCK
215	T HANDLE HEAVY DUTY LOCK
315	T HANDLE HEAVY DUTY LOCK
118	T HANDLE HEAVY DUTY LOCK
018	T HANDLE HEAVY DUTY LOCK



**PAGE**

96, 97, 98, 99, 100

101

102

103

104

105 - 107

108 - 113

114 - 117

118

119

120

121

122 - 123



p96



p103



p114



p122



# HEAVY-DUTY LATCHES

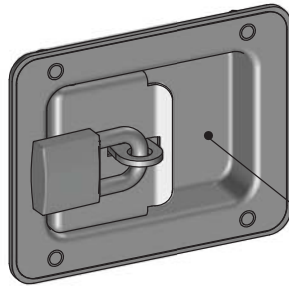
## PUSH-TO-CLOSE LATCH

016



- IP 54 NEMA 3
- RoHS
- 
- 

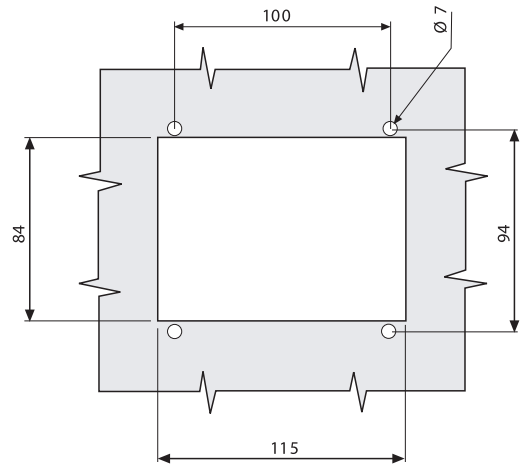
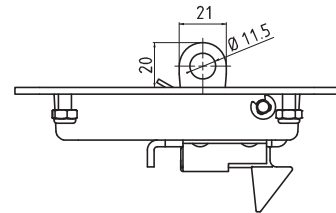
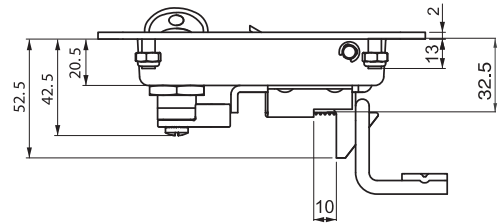
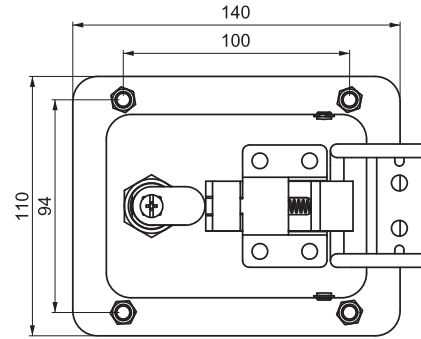
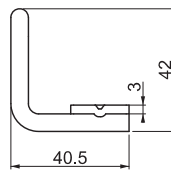
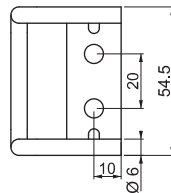
V : 1



1

Padlock application

No cylinder (Blind)



Cut out

- Stainless steel version: page 462
- Slam-shut operation
- Brass cam
- Striking plate required
- Can open from inside by moving cam

### MATERIAL

BODY: Steel  
HANDLE: Steel  
CAM: Brass  
SCREW: Stainless steel  
SEAL: Polyurethane

### FINISH

Black coated

## CAM STRIKING PLATE

016 A71



- Striking plate
- Custom sizes available

### MATERIAL

Steel

### FINISH

Zinc plated

### PRODUCT CODE

016 - 6 - 2 - DD - V - 1  
 GROUP CODE MATERIAL FINISH CYLINDER VERSION For padlock only

SPECIFICATIONS		DD
No cylinder (Blind)		00
Stainless steel dust cap (Keyed alike)		03
Stainless steel dust cap (Keyed differ)		32

MATERIAL	M	FINISH	F
Steel	6	Black coated	2



016

PUSH-TO-CLOSE LATCH



- Two types of die-cast zinc cams
- No locking device needed
- Can open from inside by moving cam

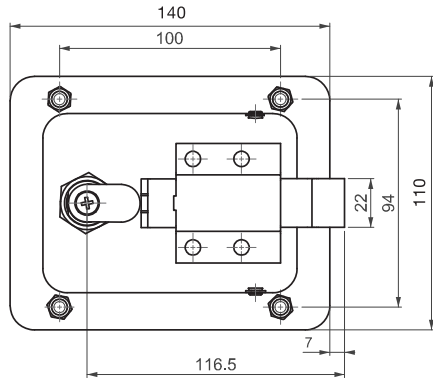
**MATERIAL**

BODY: Steel  
 HANDLE: Steel  
 CAM: Zinc Alloy DIN-EN 1774-ZnAl4Cu1  
 SEAL: Polyurethane

**FINISH**

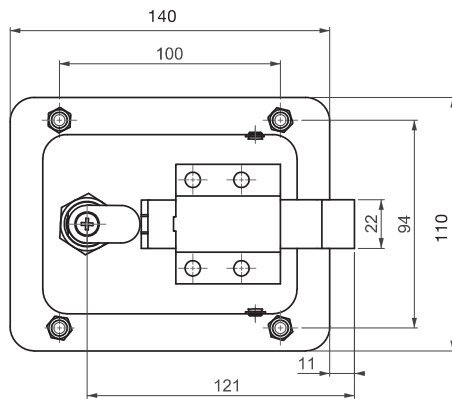
Black coated

V : 2

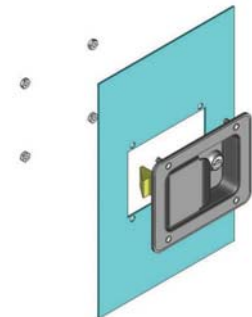


Flat cam (short)

V : 3



Flat cam (long)



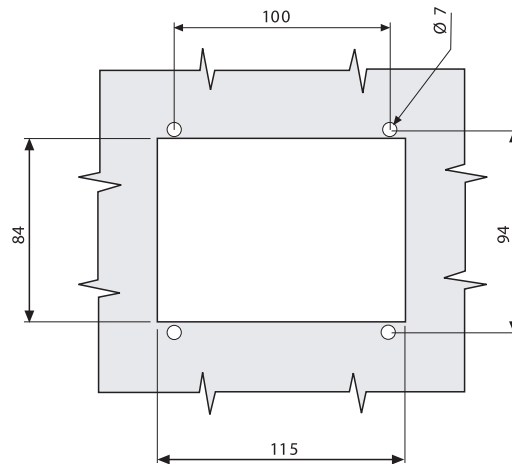
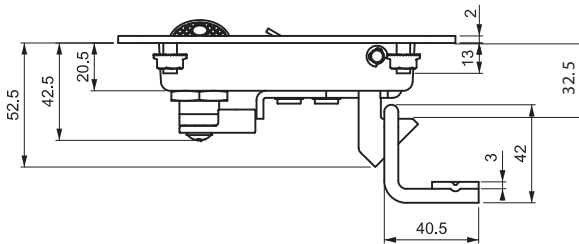
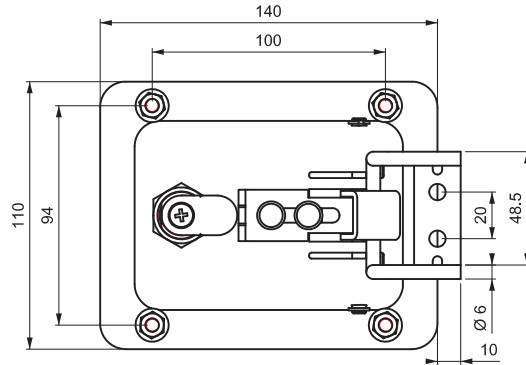
# HEAVY-DUTY LATCHES

## PUSH-TO-CLOSE LATCH

016



V : 4



Cut out

- Slam-shut operation with steel cam
- Can open from inside by moving cam

### MATERIAL

BODY: Steel  
 HANDLE: Steel  
 CAM: Steel  
 SCREW: Stainless steel  
 SEAL: Polyurethane

### FINISH

Black coated

## CAM STRIKING PLATE

016 A71



- Striking plate
- Custom sizes available

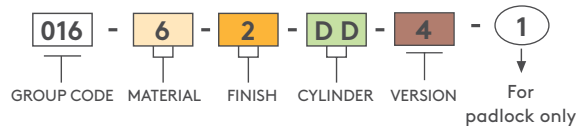
### MATERIAL

Steel

### FINISH

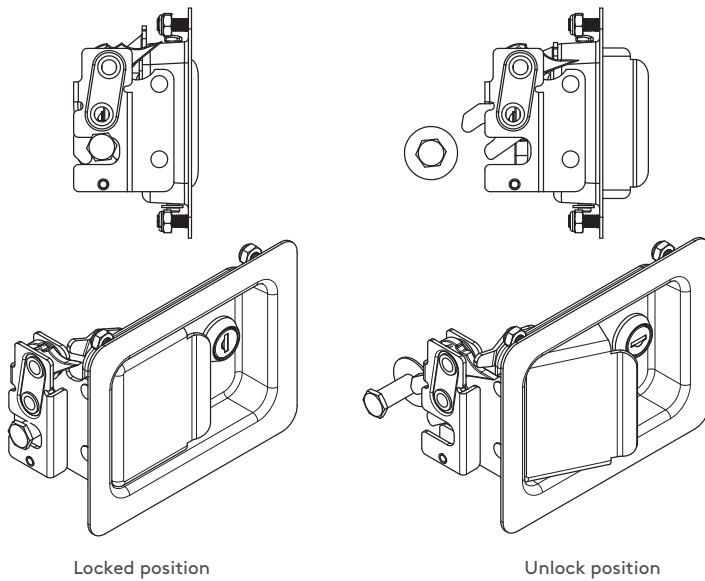
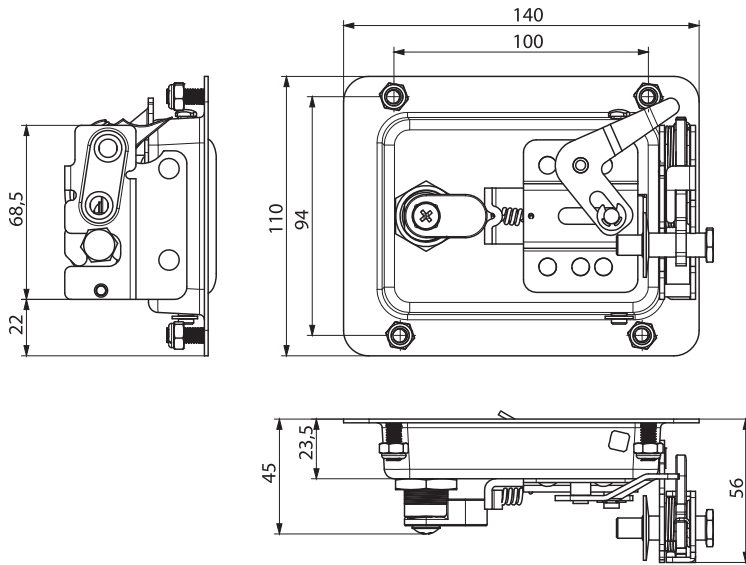
Zinc plated

### PRODUCT CODE



SPECIFICATIONS	DD
No cylinder	00
Stainless steel dust cap (Keyed alike)	03
Stainless steel dust cap (Keyed differ)	32

MATERIAL	M	FINISH	F
Steel	6	Black coated	2



Locked position

Unlock position

016

PUSH-TO-CLOSE LATCH



- Padlatch with integrated Rotary Latch
- Slam-shut operation
- Striker bolt is required
- Can open from inside by moving cable

**MATERIAL**

BODY: Steel  
 HANDLE: Steel  
 CAM: Zinc Alloy DIN-EN 1774-ZnAl4Cu1  
 SEAL: Polyurethane  
 ROTARY LATCH: Steel

SB.1

STRIKER BOLT (MINI)



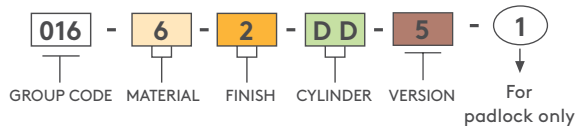
**MATERIAL**

BODY: Steel

**FINISH**

Zinc Plated

**PRODUCT CODE**



SPECIFICATIONS		DD
No cylinder		00
Stainless steel dust cap (Keyed alike)		03
Stainless steel dust cap (Keyed differ)		32

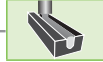
MATERIAL	M	FINISH	F
Steel	6	Black coated	2

For Cables & Cable Accessories page: 158-159

# HEAVY-DUTY LATCHES

## PUSH-TO-CLOSE LATCH

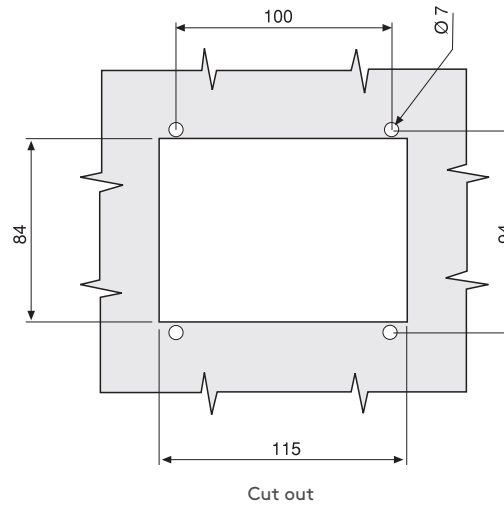
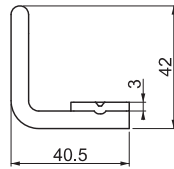
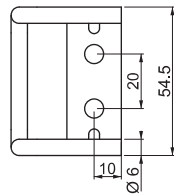
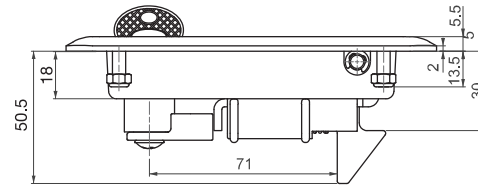
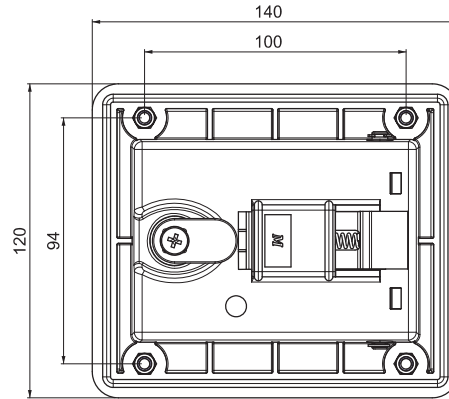
**016**



- Slam-shut operation
- Brass cam
- Striking plate required
- Can open from inside by moving cam

**MATERIAL**

**BODY:** Polyamid DIN-EN ISO 1043-1 PA6 GFR 30  
**CAM:** Brass or Delrin



## CAM STRIKING PLATE

**016 A71**



- Striking plate
- Custom sizes available

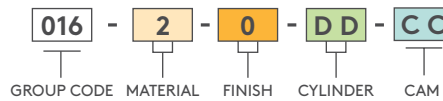
**MATERIAL**

Steel

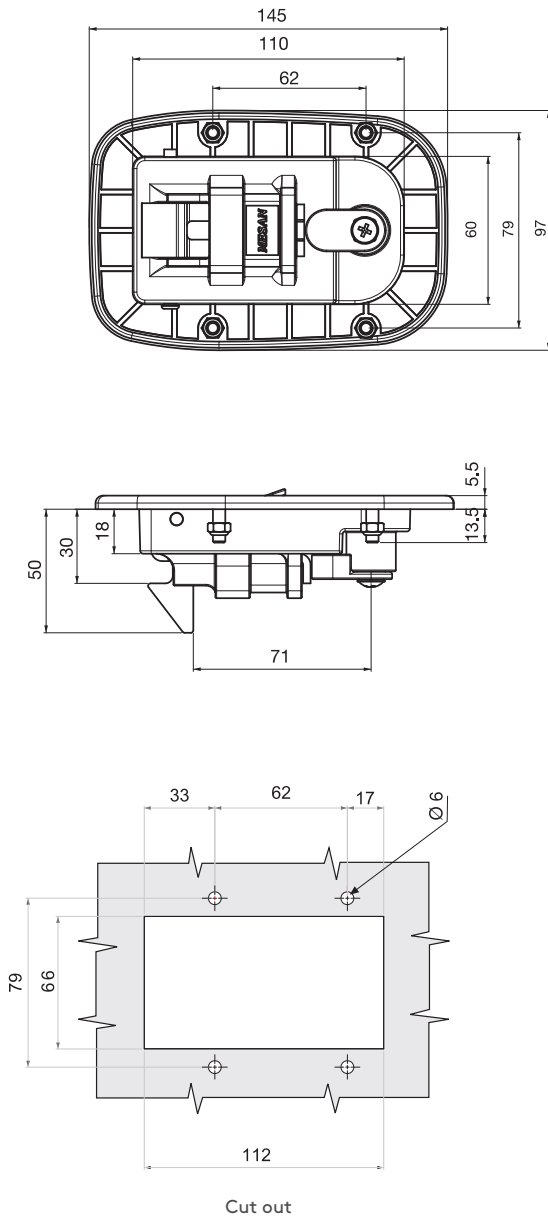
**FINISH**

Zinc plated

**PRODUCT CODE**



SPECIFICATIONS	DD	CAM	CC
Stainless steel dust cap (Keyed alike)	03	Brass	01
Stainless steel dust cap (Keyed differ)	32	Plastic	02



**216**

**PUSH-TO-CLOSE LATCH**

- IP 54 NEMA 3
- Material
- RoHS
- Mounting
- Striking plate



- Slam-shut operation
- Brass cam
- Striking plate required
- Can open from inside by moving cam

**MATERIAL**

**BODY:** Polyamid DIN-EN ISO 1043-1 PA6 GFR 30  
**CAM:** Brass or Delrin

**016 A71**

**CAM STRIKING PLATE**



- Striking plate
- Custom sizes available

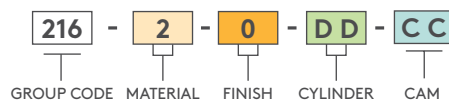
**MATERIAL**

Steel

**FINISH**

Zinc plated

**PRODUCT CODE**



SPECIFICATIONS		DD	CAM		CC
Stainless steel dust cap (Keyed alike)		03	Brass		01
Stainless steel dust cap (Keyed differ)		32	Plastic		02

# HEAVY-DUTY LATCHES

## PUSH-TO-CLOSE LATCH

**316**

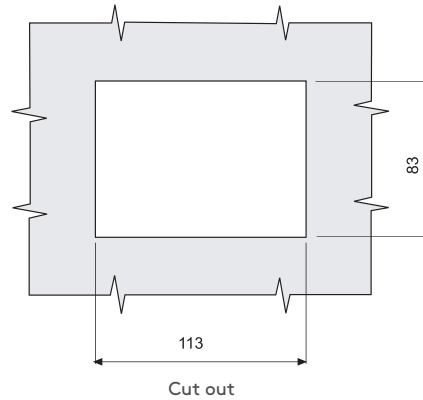
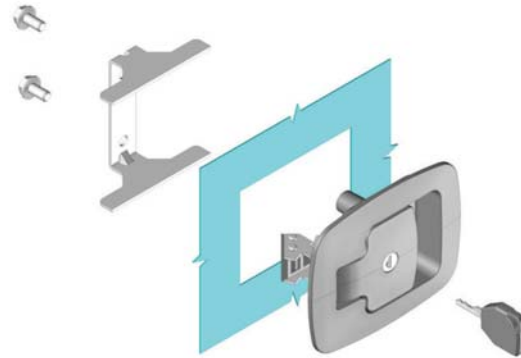
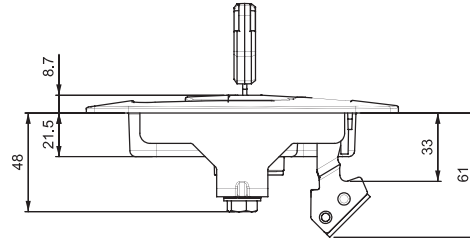
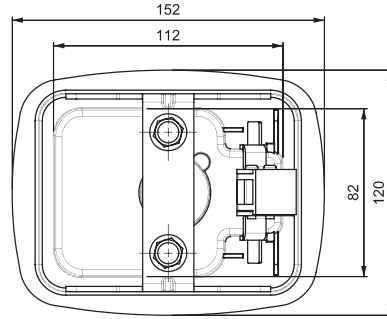
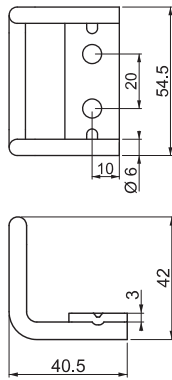


- IP 54 NEMA 3
- Material
- RoHS
- Mounting
- Key

- Slam shut operation. Steel cam.
- Striking plate is needed
- Lock can be opened from inside by moving cam.

**MATERIAL**

BODY: Polyamid DIN-EN ISO 1043-1 PA6 GFR 30  
 CAM: Steel



## CAM STRIKING PLATE

**016 A71**



- Striking plate
- Custom sizes available

**MATERIAL**

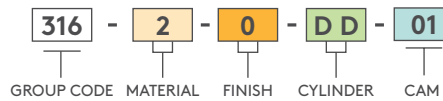
Steel

**FINISH**

Zinc plated

**!** Note: The listing of this/these product(s) in the catalogue does not constitute an offer to sell any of those products in the UK and USA

**PRODUCT CODE**



**SPECIFICATIONS**

Stainless steel dust cap (Keyed alike)	<b>DD</b>
	<b>03</b>



116

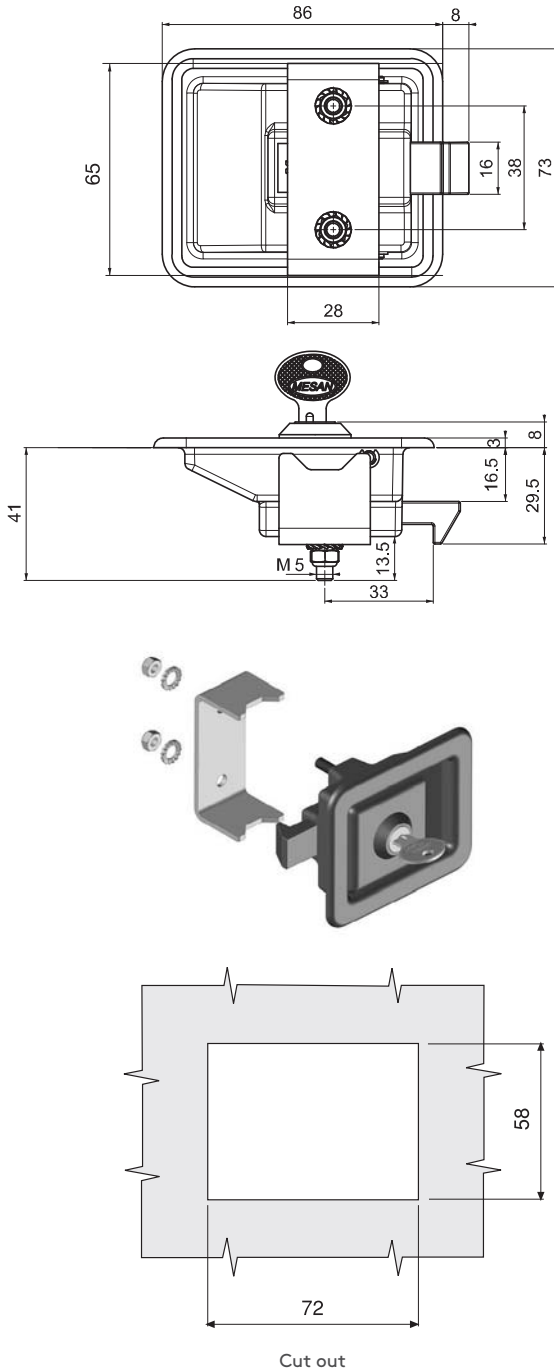
PUSH-TO-CLOSE LATCH



- Delrin cams
- No locking device needed
- Can open from inside by moving cam

**MATERIAL**

BODY: Polyamid DIN-EN ISO 1043-1 PA6 GFR 30  
 HANDLE: Zinc Alloy DIN-EN 1774-ZnAl4Cu1  
 CAM: Delrin  
 MOUNTING BRACKET: Steel



**PRODUCT CODE**

116 - DD

GROUP CODE CYLINDER

SPECIFICATIONS	DD
No cylinder	00
Keyed alike	01
Keyed differ	02



# HEAVY-DUTY LATCHES

## T HANDLE HEAVY-DUTY LATCHES

214



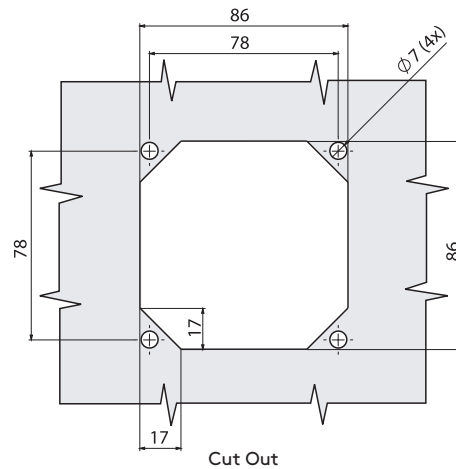
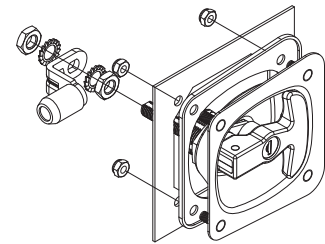
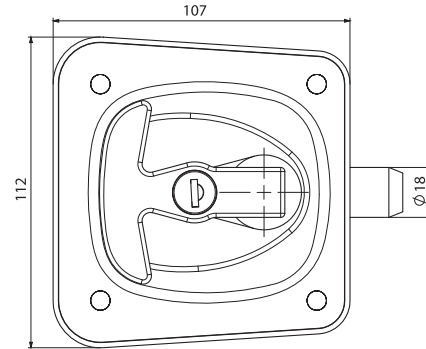
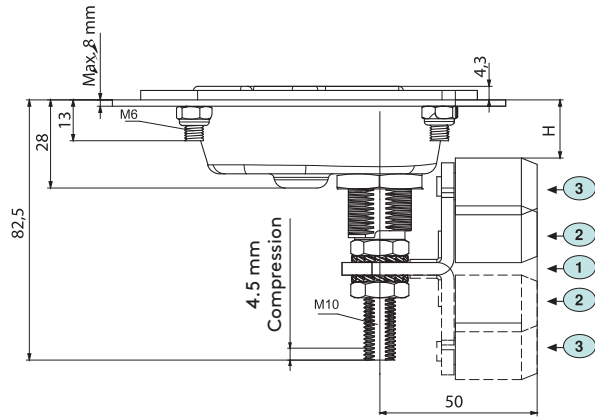
- Advanced sealing with compression
- Adjustable grip is possible
- Easy fixing with roller cam
- with/without padlock options

### MATERIAL

**BODY:** Steel  
**HANDLE:** Zinc Alloy DIN-EN 1774-ZnAl4Cu1  
**CAM:** Steel  
**SCREW:** Stainless steel  
**SEAL:** Polyurethane

### FINISH

**BODY:** Black coated  
**HANDLE:** Chrome or black coated



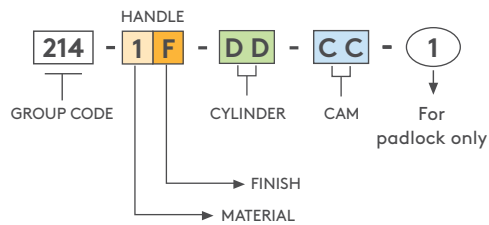
CAM	CC	Position	H: GRIP	
			min	max
1	01	Up	38	53
		Down	54	69
2	02	Up	35	50
		Down	57	72
3	03	Up	20	35
		Down	72	87



1

Padlock application

### PRODUCT CODE



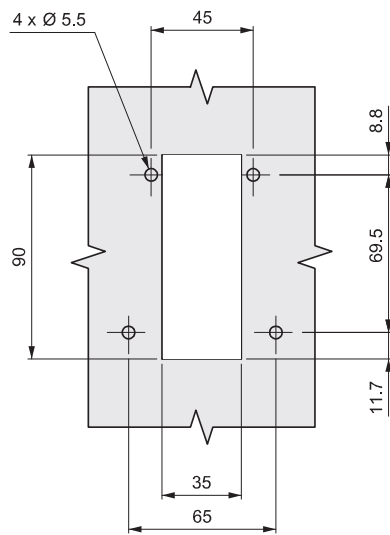
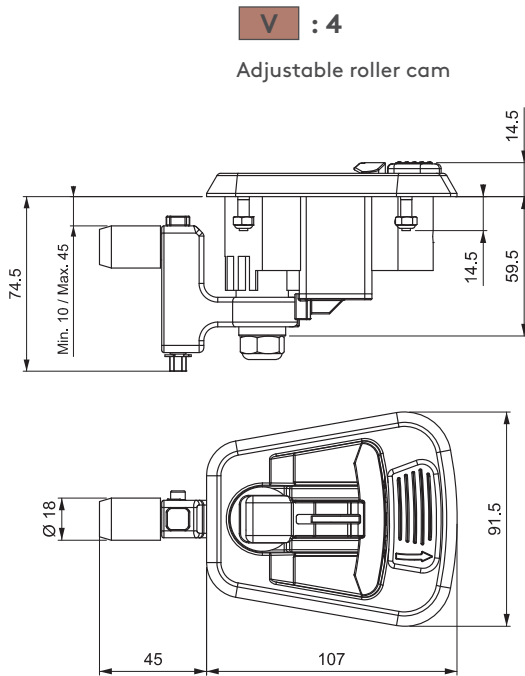
CYLINDER	DD
No cylinder	00
Stainless steel dust cap (Keyed alike)	03
Stainless steel dust cap (Keyed differ)	32
Euro key (5333)	05
CH751 (Stainless steel dust cap)	07

FINISH	F
Chrome	1
Black coated	2



114

MINI 'T' HANDLE CABINET LATCHES



Cut Out



- Single-point locking
- 10 - 45 mm grip range
- Easy fixing with roller cam
- Provides sealing with compression property
- Option to use with or without padlock
- Use rivets or bolts for fixing
- Can be supplied without cylinder

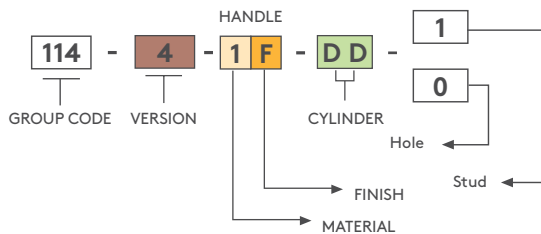
**MATERIAL**

**BODY:** Polyamid DIN-EN ISO 1043-1PA6 GFR 30  
**HANDLE:** Zinc Alloy DIN-EN 1774-ZnAl4Cu1

**FINISH**

**HANDLE:** Chrome or black coated

**PRODUCT CODE**



CYLINDER	DD
Stainless steel dust cap (Keyed alike)	03
Stainless steel dust cap (Keyed differ)	32
CH751 ( Stainless steel dust cap )	07

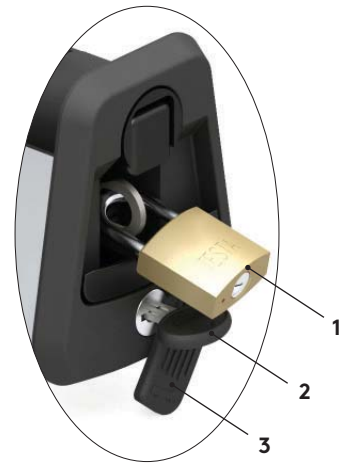
FINISH	F
Chrome	1
Black coated	2

**Note:** The listing of this/these product(s) in the catalogue does not constitute an offer to sell any of those products in the UK and USA

# HEAVY-DUTY LATCHES

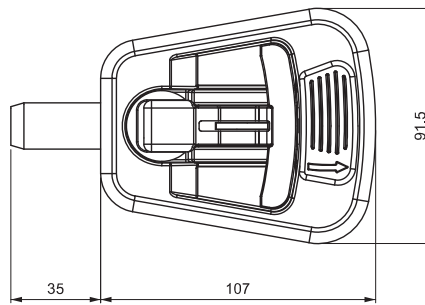
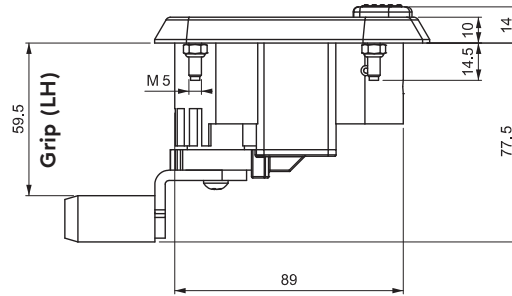
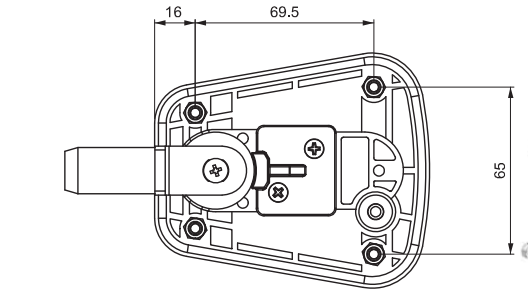
## MINI 'T' HANDLE CABINET LATCHES

114

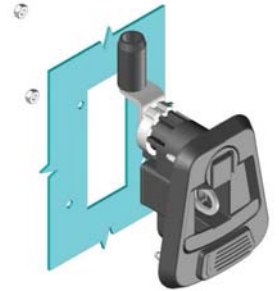


- 1- Double security
- 2- Cylinder locking system
- 3- Sliding dust cap

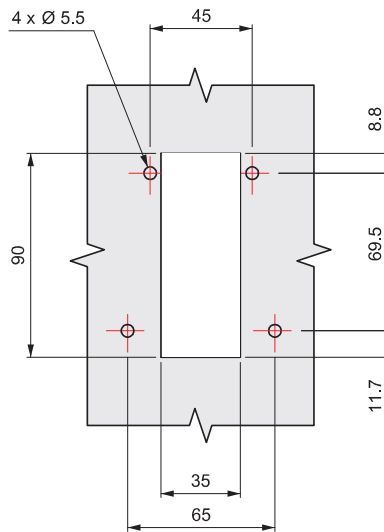
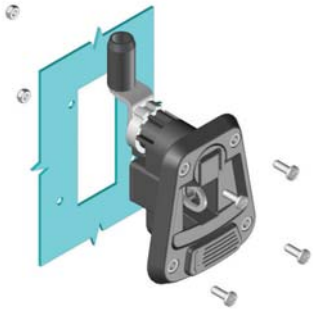
**⚠ Note:** The listing of this/these product(s) in the catalogue does not constitute an offer to sell any of those products in the UK and USA



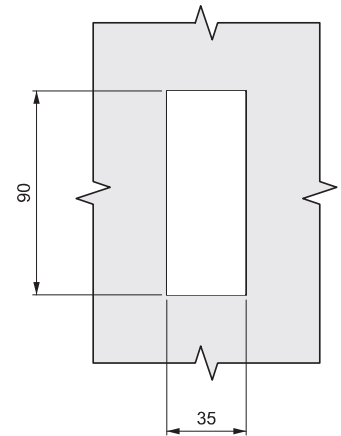
**V : 2**  
Stud version



**V : 3**  
Hole version



Cut Out  
V2 - V3

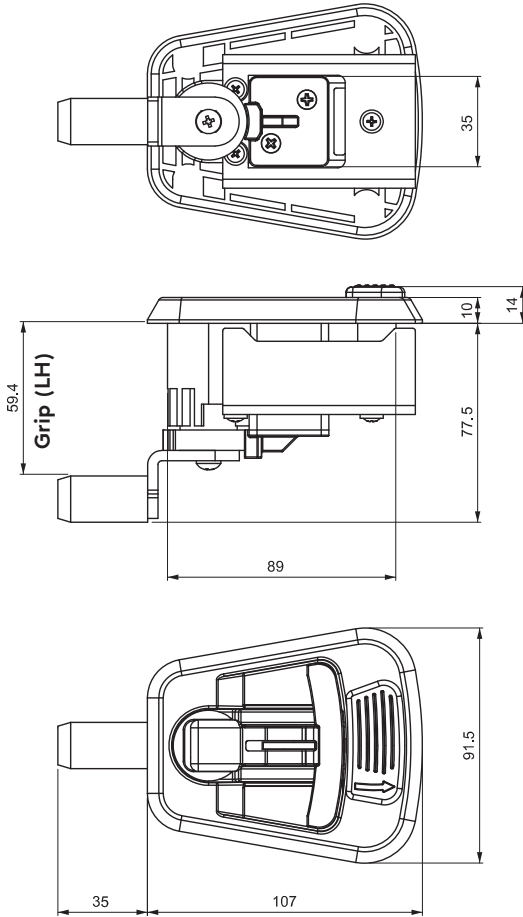


Cut Out  
V1

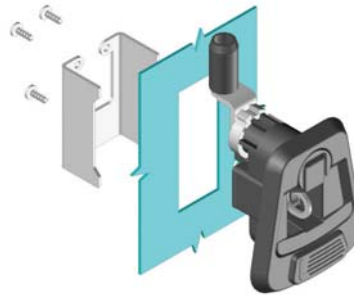


114

MINI 'T' HANDLE CABINET LATCHES



**V** : 1  
Bracket version



- Single point locking
- Easy locking by the roller cam
- 4 mm compression
- Optionally used with or without padlock.
- Fixing is possible by rivets, bolts or bracket
- Can be supplied without cylinder.
- Fixed grip
- Please contact us for different grip (LH)

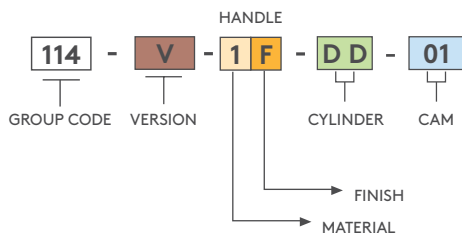
**MATERIAL**

- BODY:** Polyamid DIN-EN ISO 1043-1 PA6 GFR 30
- HANDLE:** Zinc Alloy DIN-EN 1774-ZnAl4Cu1
- CYLINDER:** Zinc Alloy DIN-EN 1774-ZnAl4Cu1

**FINISH**

**HANDLE:** Chrome or black coated

**PRODUCT CODE**



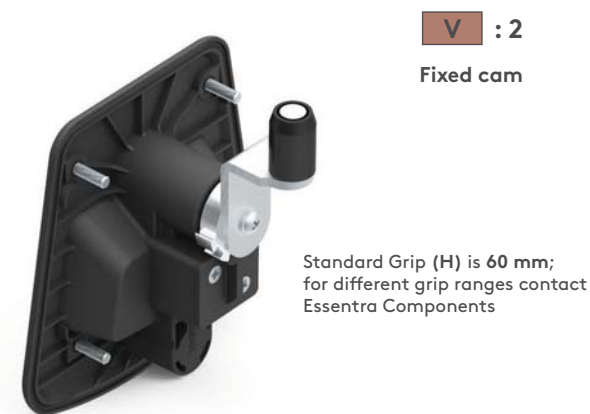
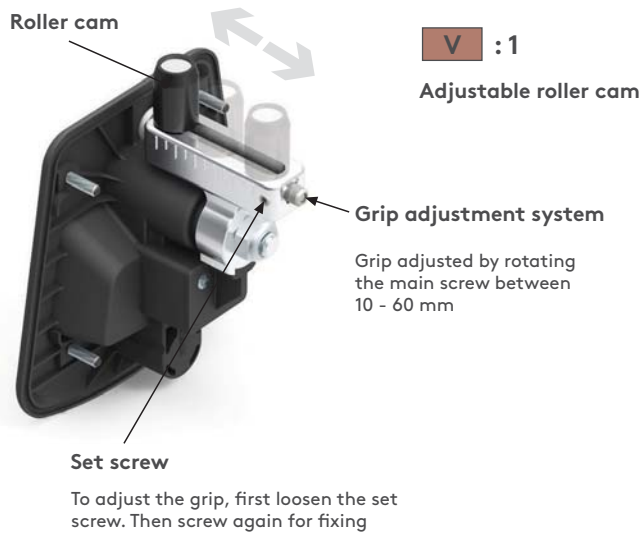
SPECIFICATIONS	DD
Stainless steel dust cap (Keyed alike)	03
Stainless steel dust cap (Keyed differ)	32
CH751 ( Stainless steel dust cap )	07

FINISH	F
Chrome	1
Black coated	2

**Note:** The listing of this/these product(s) in the catalogue does not constitute an offer to sell any of those products in the UK and USA

014

## VERSIONS



## GENERAL FEATURES



### Ergonomic T handle

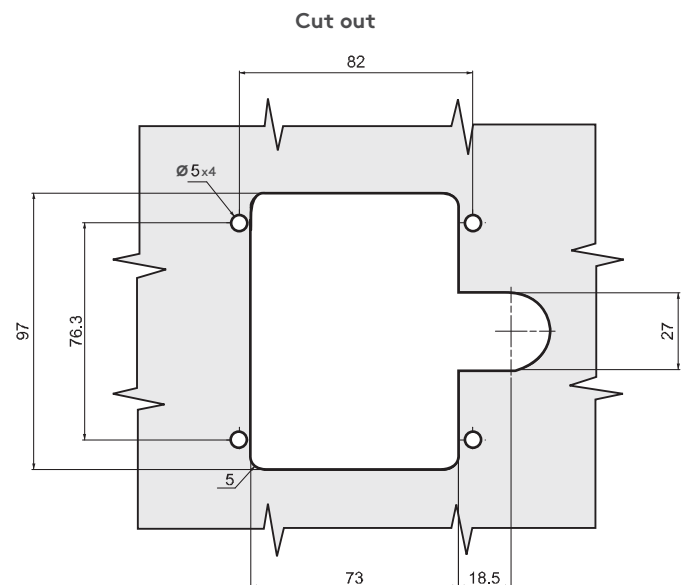
Black coated or chrome plated

### Cylinder locking system

Stainless steel dust cap (Keyed alike or Keyed differ)

**Padlockable**  
Max. hasp dia 9 mm

**Stud or hole option**  
M5 stud or rivet





014

T HANDLE HEAVY-DUTY LATCHES



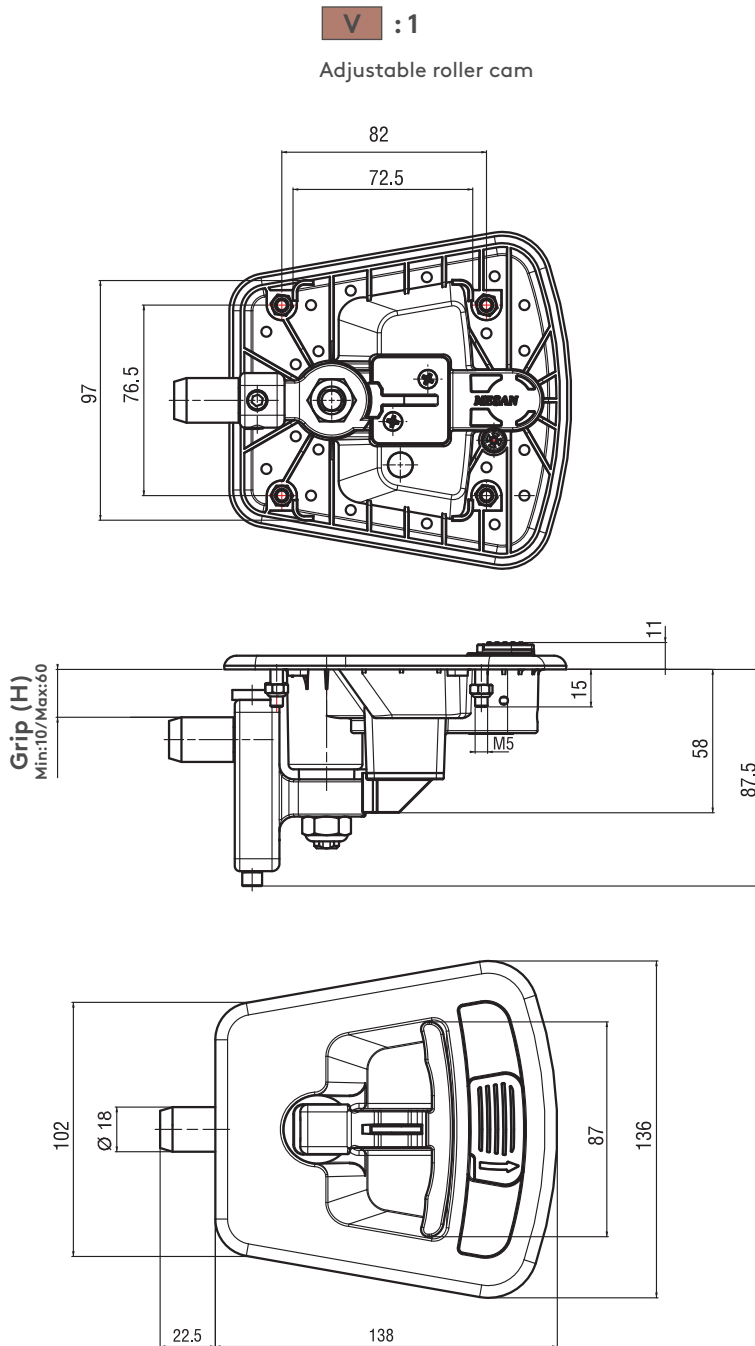
- Single-point locking
- 10 - 60 mm grip range
- Easy fixing with roller cam
- Provides sealing with compression property
- Option to use with or without padlock
- Use rivets or bolts for fixing
- Can be supplied without cylinder

**MATERIAL**

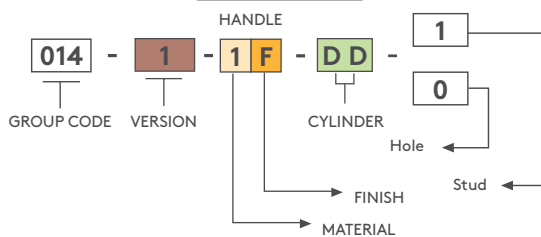
**BODY:** Polyamid DIN-EN ISO 1043-1PA6 GFR 30  
**HANDLE:** Zinc Alloy DIN-EN 1774-ZnAl4Cu1

**FINISH**

**HANDLE:** Chrome or black coated



**PRODUCT CODE**



SPECIFICATIONS	DD
Stainless steel dust cap (Keyed alike)	03
Stainless steel dust cap (Keyed differ)	32
CH751 ( Stainless steel dust cap )	07

FINISH	F
Chrome	1
Black coated	2

**Note:** The listing of this/these product(s) in the catalogue does not constitute an offer to sell any of those products in the UK and USA

# HEAVY-DUTY LATCHES

## T HANDLE HEAVY-DUTY LATCHES

014



- Fixed grip
- Single-point locking
- Easy fixing with roller cam
- Provides sealing with compression property
- Option to use with or without padlock
- Use rivets or bolts for fixing
- Can be supplied without cylinder

### MATERIAL

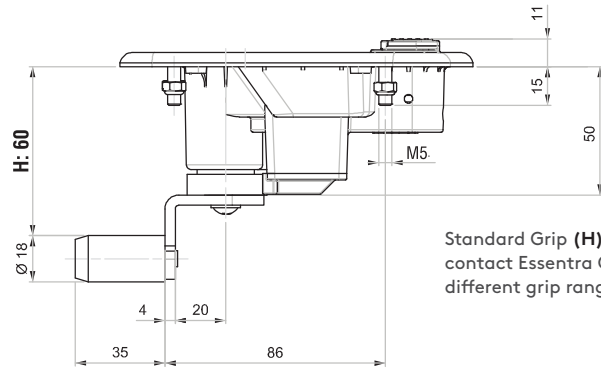
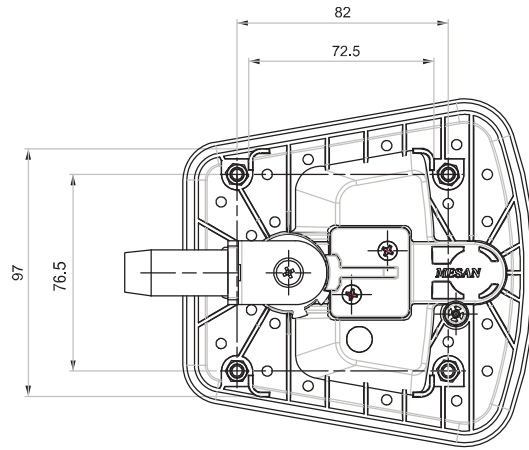
**BODY:** Polyamid DIN-EN ISO 1043-1 PA6 GFR 30  
**HANDLE:** Zinc Alloy DIN-EN 1774-ZnAl4Cu1

### FINISH

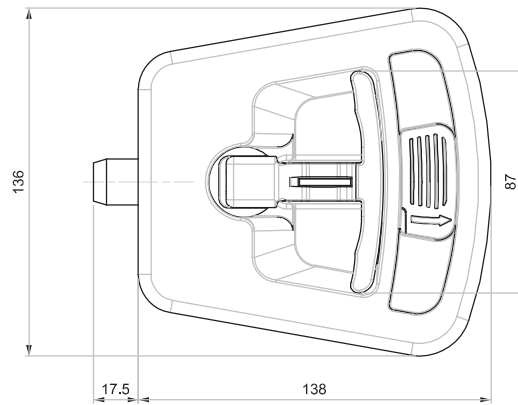
**HANDLE:** Chrome or black coated

**V : 2**

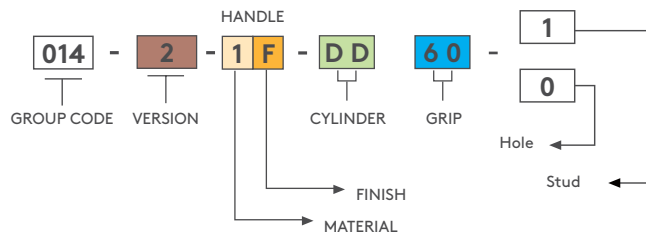
Fixed cam



Standard Grip (H) is 60 mm; contact Essentra Components for different grip ranges



### PRODUCT CODE



**Note:** The listing of this/these product(s) in the catalogue does not constitute an offer to sell any of those products in the UK and USA

SPECIFICATIONS		DD	FINISH		F
Stainless steel dust cap (Keyed alike)		03	Chrome	1	
Stainless steel dust cap (Keyed differ)		32	Black coated	2	
CH751 ( Stainless steel dust cap )		07			





014

T HANDLE HEAVY-DUTY LATCHES



- Two-point locking
- Option to use with or without padlock
- Use rivets or bolts for fixing
- Can be supplied without cylinder

**MATERIAL**

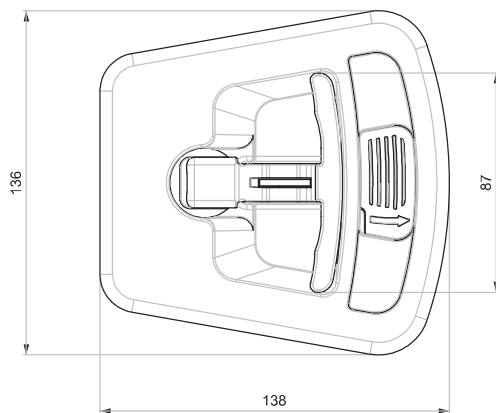
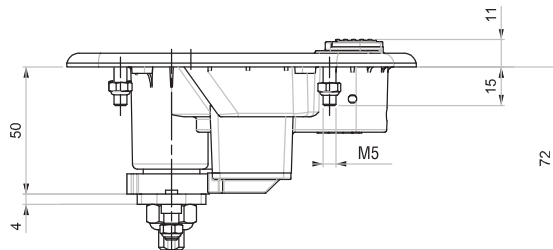
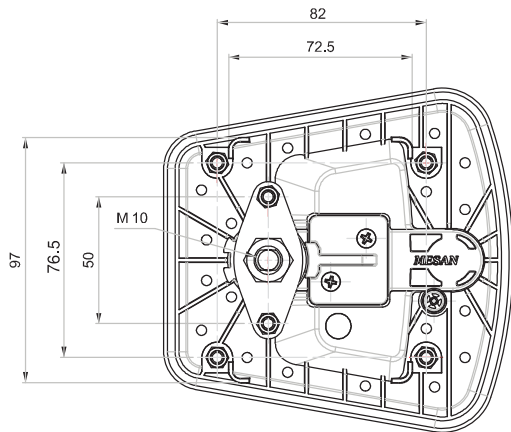
BODY: Polyamid DIN-EN ISO 1043-1PA6 GFR 30  
HANDLE: Zinc Alloy DIN-EN 1774-ZnAl4Cu1

**FINISH**

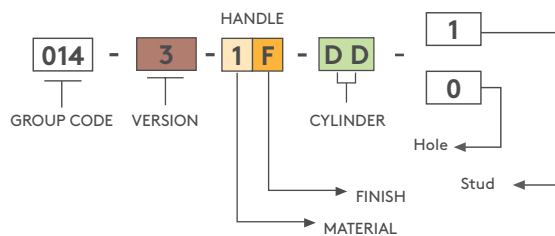
HANDLE: Chrome or black coated

**V : 3**

Espagnolette cam



**PRODUCT CODE**



SPECIFICATIONS	DD
Stainless steel dust cap (Keyed alike)	03
Stainless steel dust cap (Keyed differ)	32
CH751 ( Stainless steel dust cap )	07

FINISH	F
Chrome	1
Black coated	2

**Note:** The listing of this/these product(s) in the catalogue does not constitute an offer to sell any of those products in the UK and USA



# HEAVY-DUTY LATCHES

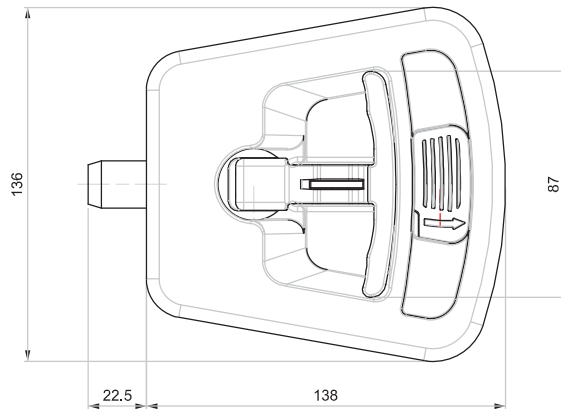
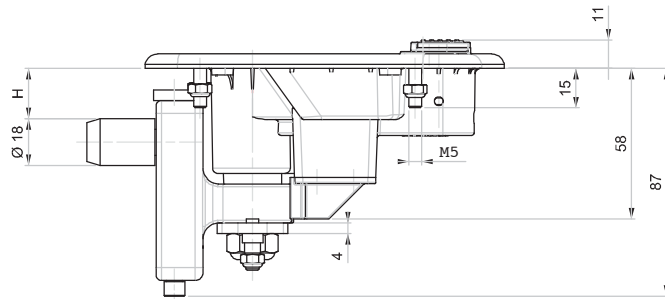
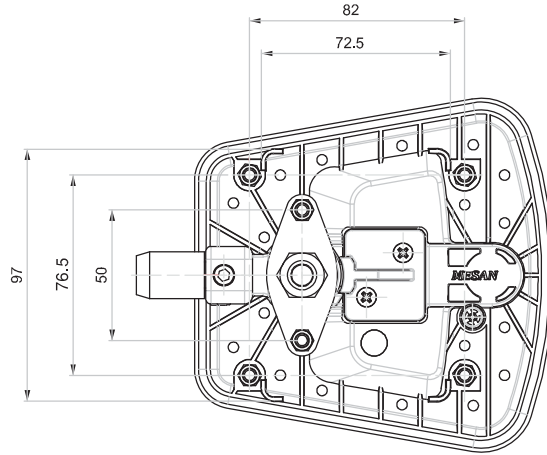
## T HANDLE HEAVY-DUTY LATCHES

014



V : 4

Espagnolette cam and adjustable roller cam



- Three-point locking
- 10 - 60 mm grip range
- Easy fixing with roller cam
- Provides sealing with compression property
- Option to use with or without padlock
- Use rivets or bolts for fixing
- Can be supplied without cylinder

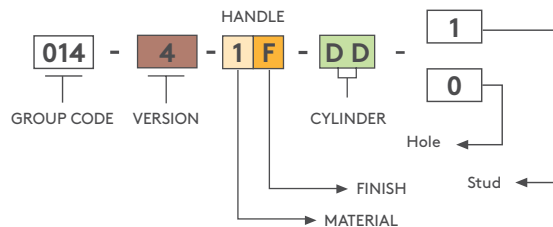
### MATERIAL

BODY: Polyamid DIN-EN ISO 1043-1 PA6 GFR 30  
HANDLE: Zinc Alloy DIN-EN 1774-ZnAl4Cu1

### FINISH

HANDLE: Chrome or black coated

### PRODUCT CODE



**Note:** The listing of this/these product(s) in the catalogue does not constitute an offer to sell any of those products in the UK and USA

SPECIFICATIONS	DD	FINISH	F
Stainless steel dust cap (Keyed alike)	03	Chrome	1
Stainless steel dust cap (Keyed differ)	32	Black coated	2
CH751 (Stainless steel dust cap)	07		

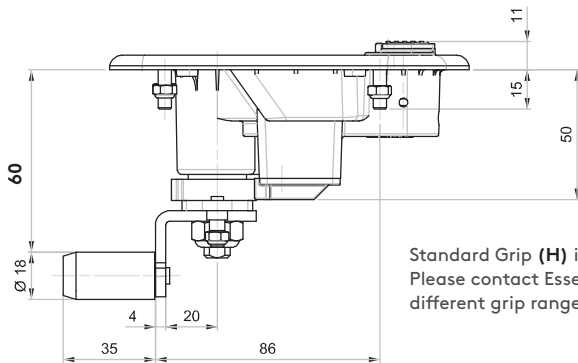
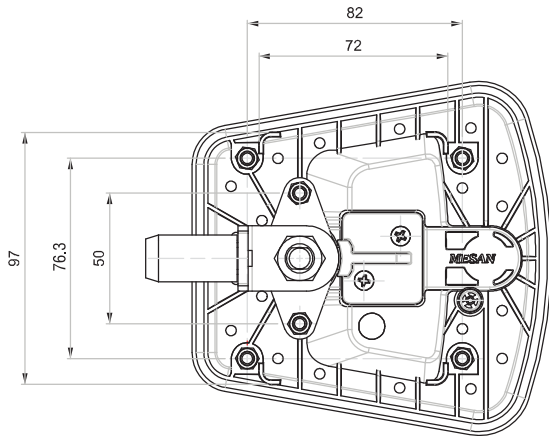


014

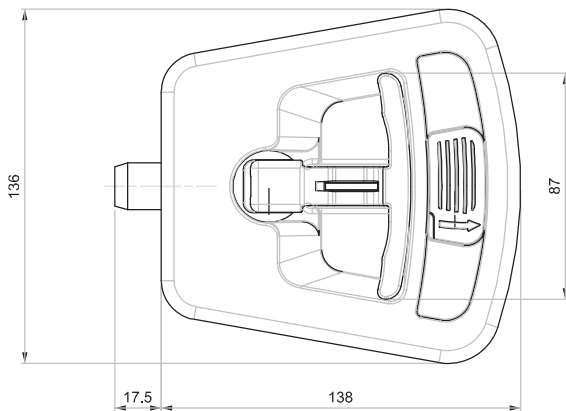
T HANDLE HEAVY-DUTY LATCHES

**V : 5**

Espagnolette cam and fixed cam



Standard Grip (H) is 60 mm  
Please contact Essentra Components for different grip ranges



- Fixed Grip
- Three-point locking
- Easy fixing with roller cam
- Provides sealing with compression property
- Option to use with or without padlock
- Use rivets or bolts for fixing
- Can be supplied without cylinder

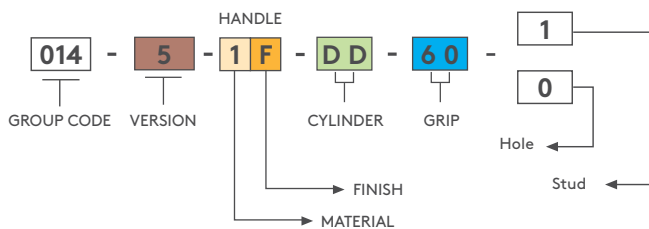
**MATERIAL**

BODY: Polyamid DIN-EN ISO 1043-1 PA6 GFR 30  
HANDLE: Zinc Alloy DIN-EN 1774-ZnAl4Cu1

**FINISH**

HANDLE: Chrome or black coated

**PRODUCT CODE**



SPECIFICATIONS	DD
Stainless steel dust cap Keyed alike	03
Stainless steel dust cap Keyed differ	32
CH751 ( Stainless steel dust cap )	07

FINISH	F
Chrome	1
Black coated	2

**Note:** The listing of this/these product(s) in the catalogue does not constitute an offer to sell any of those products in the UK and USA

# HEAVY-DUTY LATCHES

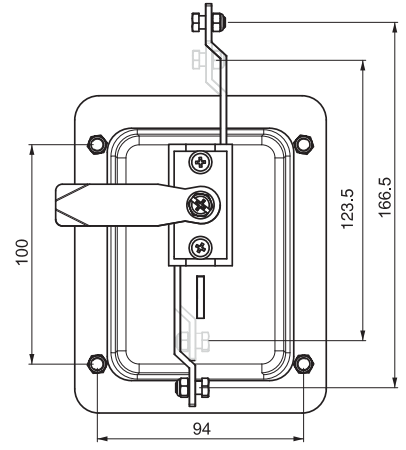
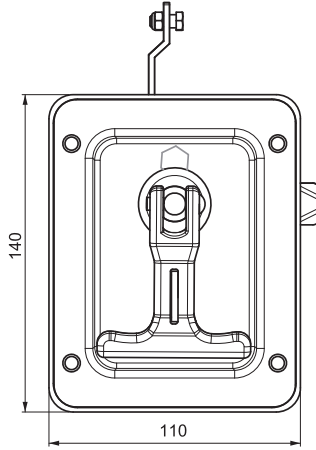
## T HANDLE HEAVY-DUTY LATCHES

**015**



- IP 65  
NEMA 4
- RoHS
- 
- 

**V : 1**  
(VERTICAL)



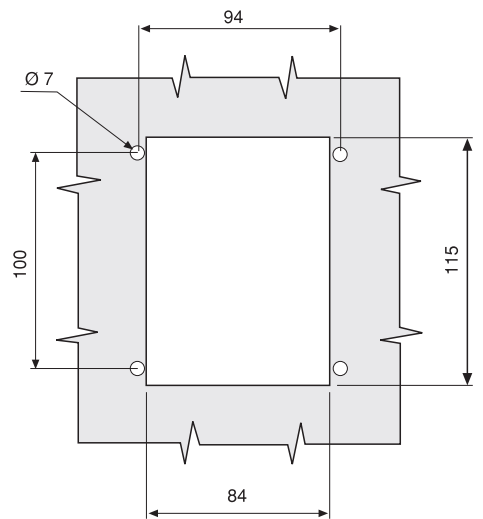
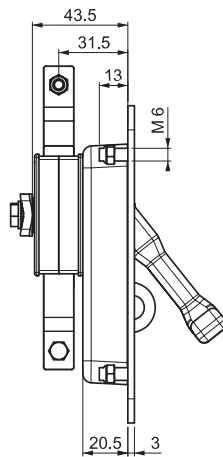
- Secured by padlock
- Maximum padlock shackle diameter 9 mm
- Horizontal and vertical versions available
- Provides three-point locking

**MATERIAL**

BODY: Steel  
 HANDLE: Zinc Alloy DIN-EN 1774-ZnAl4Cu1  
 CAM: Steel  
 SCREW: Stainless steel  
 SEAL: Polyurethane

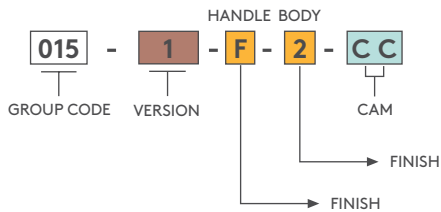
**FINISH**

BODY: Black coated  
 HANDLE: Chrome or black coated

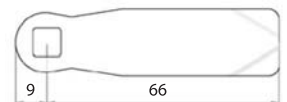


Cut out

**PRODUCT CODE**



<b>FINISH</b>	<b>F</b>	<b>70</b>	CAM
Chrome	1	00	NO CAM
Black coated	2		



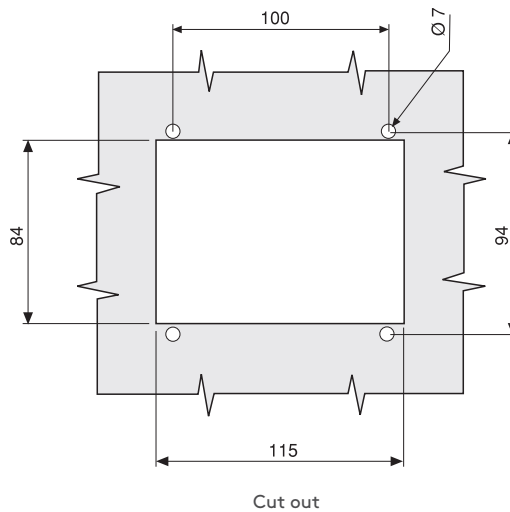
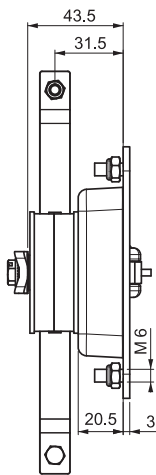
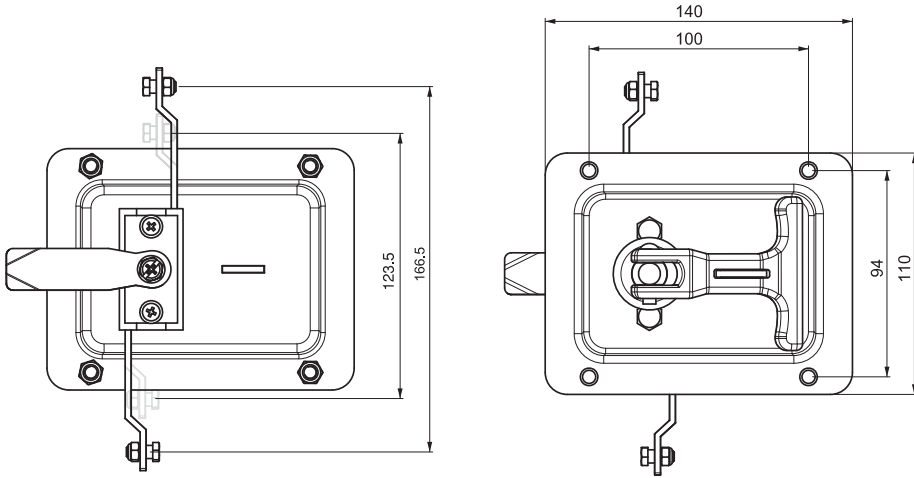
For cams please check pages: 172 - 173



015

T HANDLE HEAVY-DUTY LATCHES

**V : 2**  
(HORIZONTAL)



- Secured by padlock
- Maximum padlock shackle diameter 9 mm
- Horizontal and vertical versions available
- Provides three-point locking

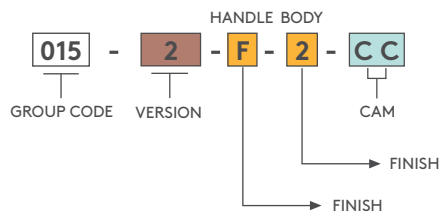
**MATERIAL**

BODY: Steel  
 HANDLE: Zinc Alloy DIN-EN 1774-ZnAl4Cu1  
 CAM: Steel  
 SCREW: Stainless steel  
 SEAL: Polyurethane

**FINISH**

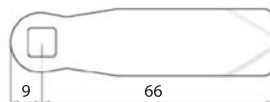
HANDLE: Chrome or black coated  
 BODY: Black coated

**PRODUCT CODE**



FINISH	F
Chrome	1
Black coated	2

70	CAM
00	NO CAM



For cams please check pages: 172 - 173

# HEAVY-DUTY LATCHES

## T HANDLE HEAVY-DUTY LATCHES

**015**



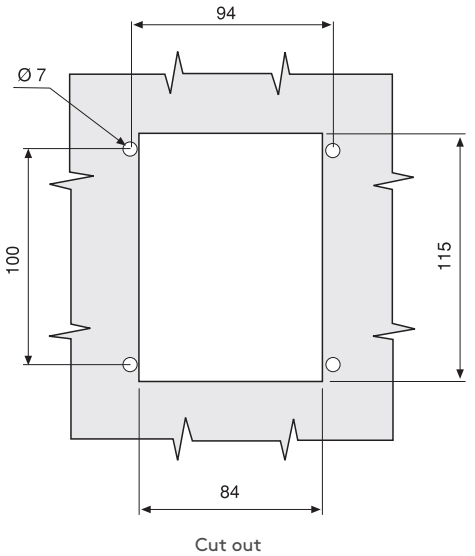
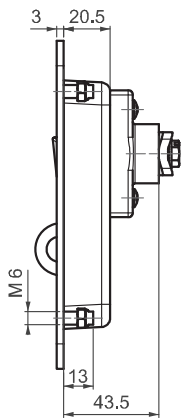
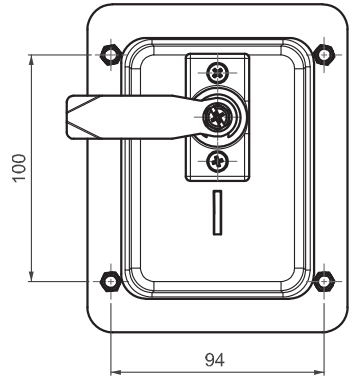
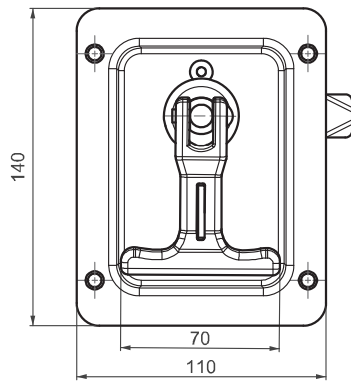
- IP 65 NEMA 4
- RoHS
- 
- 

**V : 3**  
(VERTICAL)

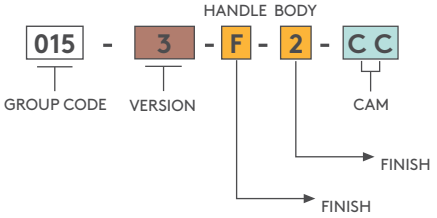
- Secured by padlock
- Maximum padlock shackle diameter 9 mm
- Horizontal and vertical versions available

**MATERIAL**  
 BODY: Steel  
 HANDLE: Zinc Alloy DIN-EN 1774-ZnAl4Cu1  
 CAM: Steel  
 SCREW: Stainless steel  
 SEAL: Polyurethane

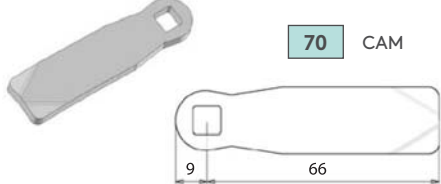
**FINISH**  
 HANDLE: Chrome or black coated  
 BODY: Black coated



**PRODUCT CODE**



FINISH	F
Chrome	1
Black coated	2



For cams please check pages: 172 - 173



015

T HANDLE HEAVY-DUTY LATCHES



- Secured by padlock
- Maximum padlock shackle diameter 9 mm
- Horizontal and vertical versions available

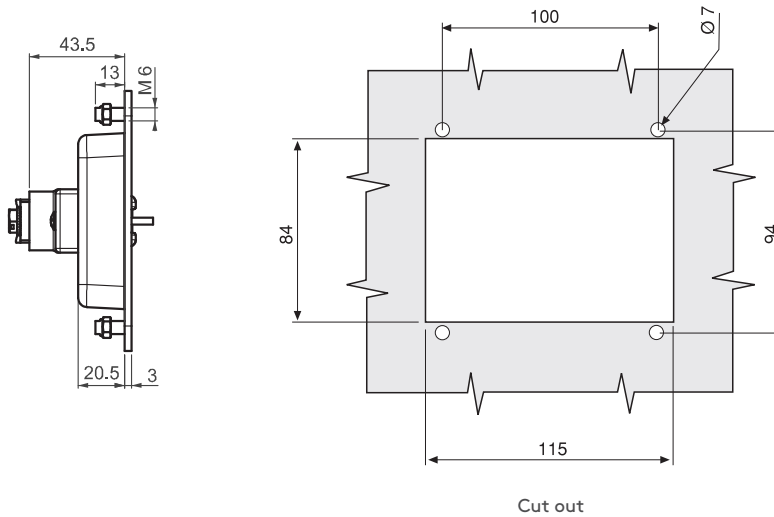
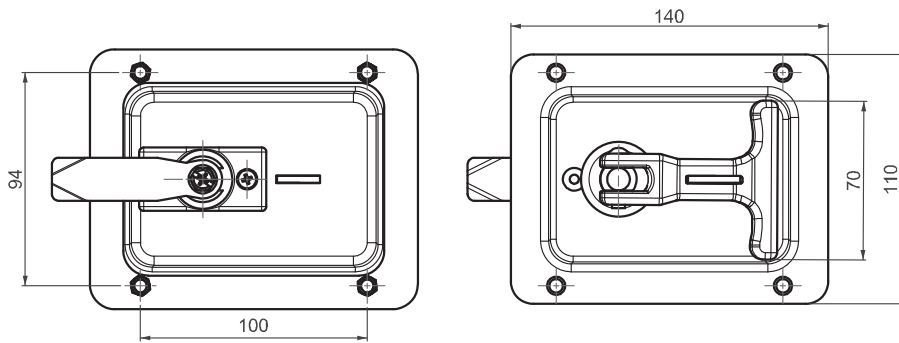
**MATERIAL**

BODY: Steel  
 HANDLE: Zinc Alloy DIN-EN 1774-ZnAl4Cu1  
 CAM: Steel  
 SCREW: Stainless steel  
 SEAL: Polyurethane

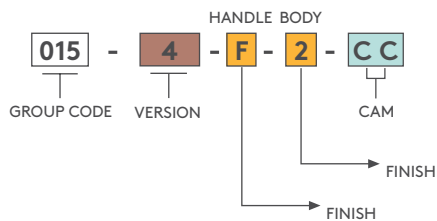
**FINISH**

HANDLE: Chrome or black coated  
 BODY: Black coated

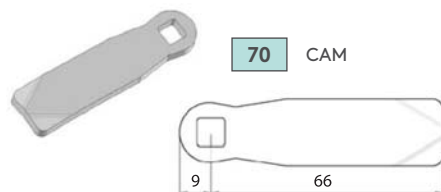
**V : 4**  
 (HORIZONTAL)



**PRODUCT CODE**



FINISH	F
Chrome	1
Black coated	2

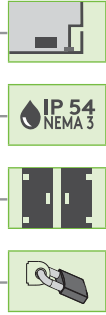


For cams please check pages: 172 - 173

# HEAVY-DUTY LATCHES

## T HANDLE HEAVY-DUTY LATCHES

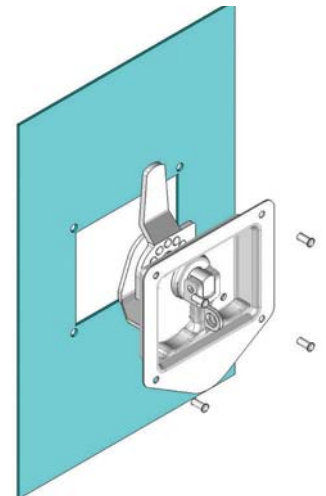
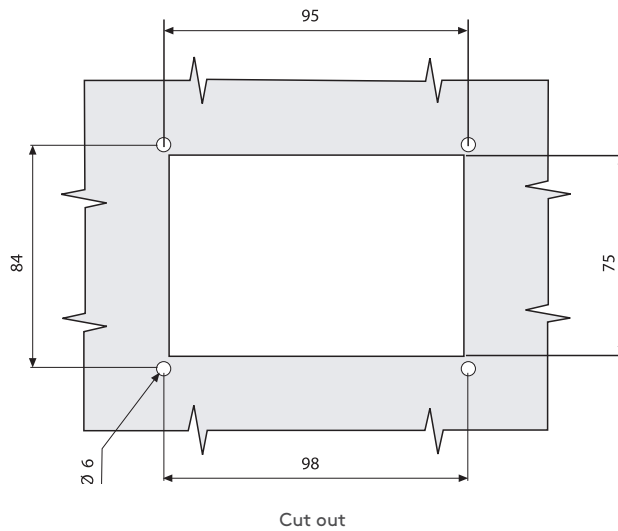
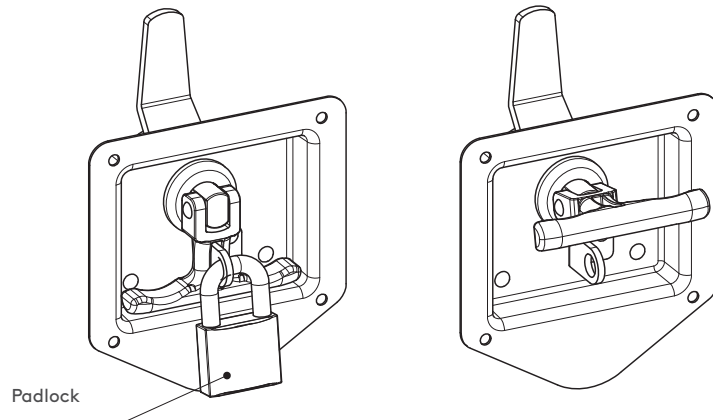
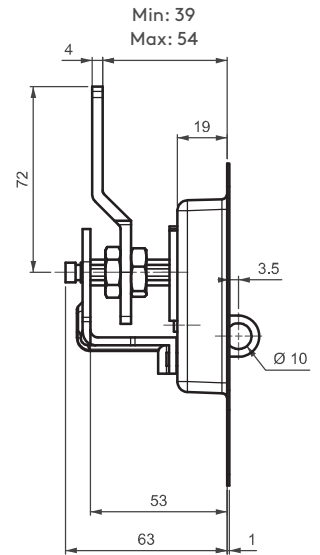
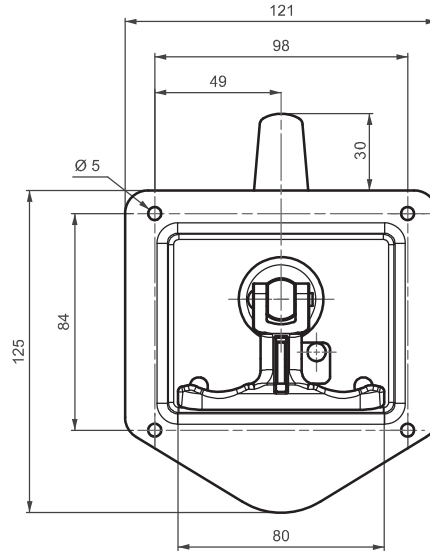
115



- Suitable for special equipment cases
- Adjustable cam for wide grip range
- Maximum padlock shackle diameter 9 mm

**MATERIAL**

BODY: Stainless steel  
 HANDLE: Zinc Alloy DIN-EN 1774-ZnAl4Cu1  
 PADLOCK HASP: Stainless steel  
 CAM: Steel





215

## T HANDLE HEAVY-DUTY LATCHES

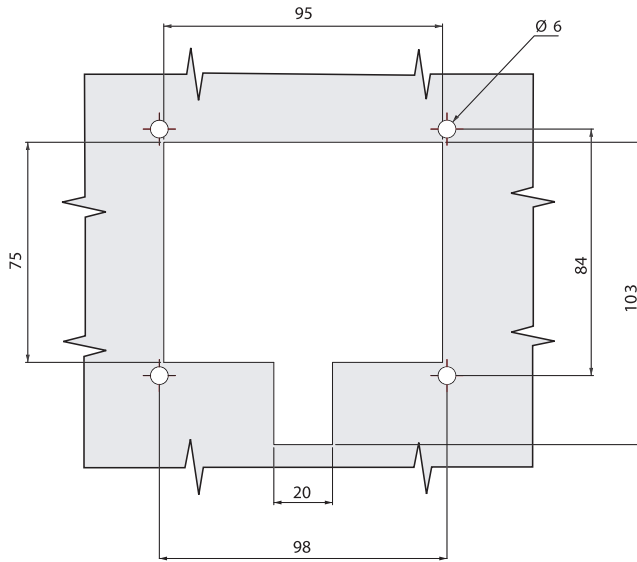
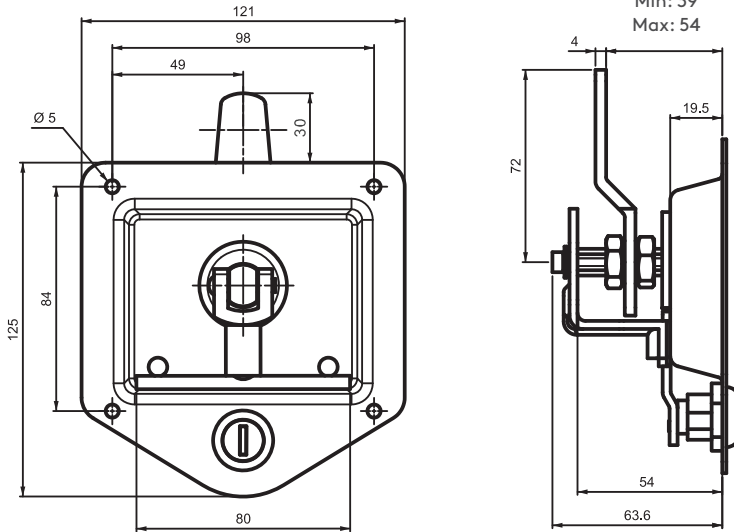


- Suitable for special equipment cases
- Adjustable cam for wide grip range

### MATERIAL

BODY: Stainless steel  
 HANDLE: Zinc Alloy DIN-EN 1774-ZnAl4Cu1  
 CAM: Steel

**⚠ Note:** Cylinder type is keyed alike



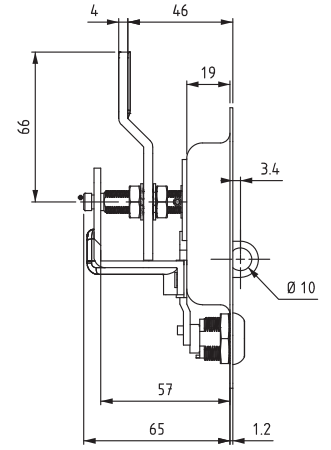
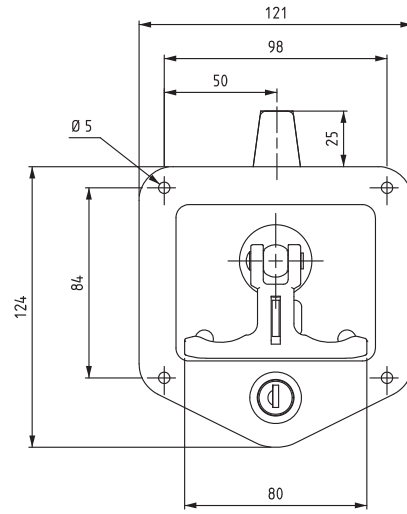
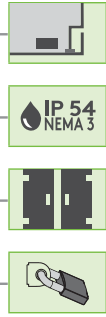
Cut out



# HEAVY-DUTY LATCHES

## T HANDLE HEAVY-DUTY LATCHES

315

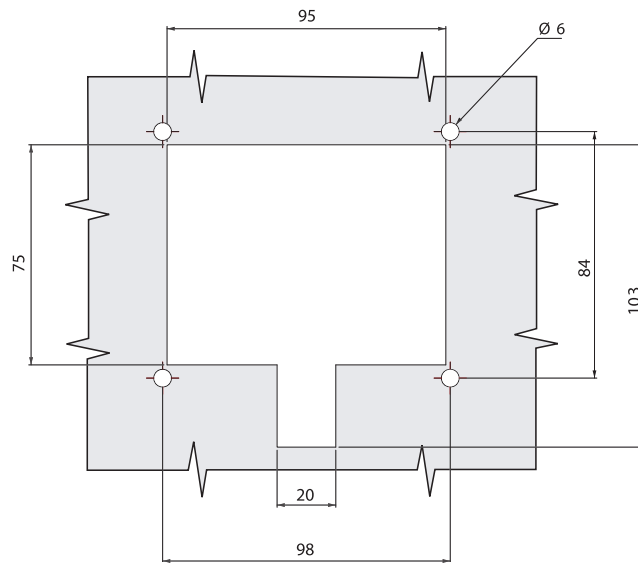
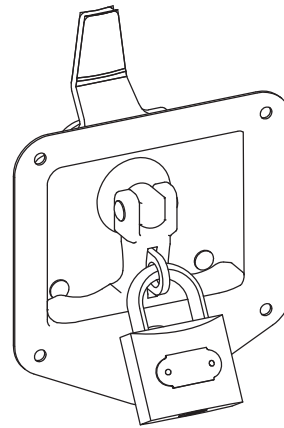


- Suitable for special equipment cases
- Adjustable cam for wide grip range
- Maximum padlock shackle diameter 9 mm

**MATERIAL**

BODY: Stainless steel  
 HANDLE: Zinc Alloy DIN-EN 1774-ZnAl4Cu1  
 PADLOCK HASP: Stainless steel  
 CAM: Steel

**⚠ Note:** Cylinder type is keyed alike

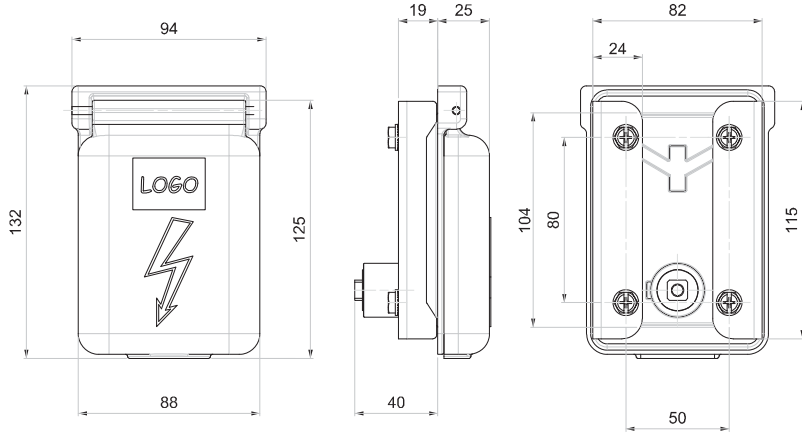


Cut out



118

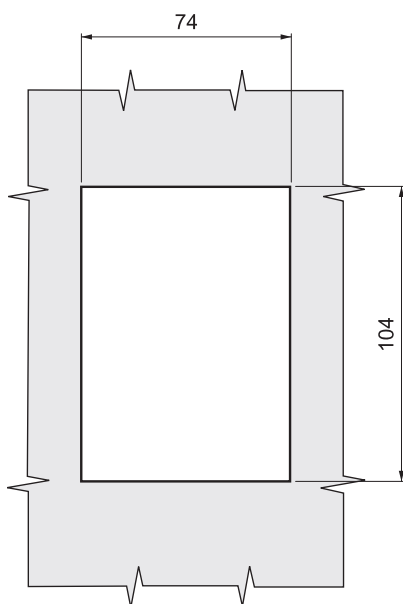
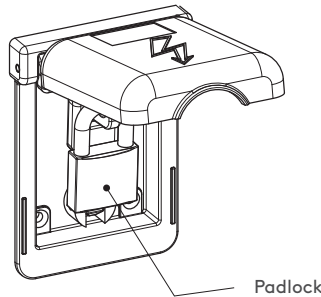
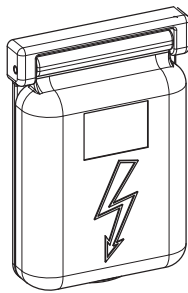
## T HANDLE HEAVY-DUTY LATCHES



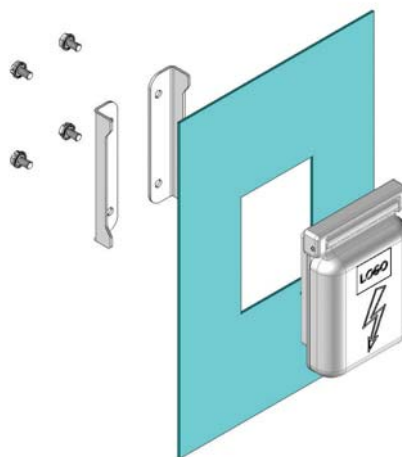
- For low voltage cabinets
- Optional polyurethane gasketing
- Maximum padlock shackle diameter 10 mm
- Option to be supplied without painting or plating
- For customised cam contact Essentra

### MATERIAL

BODY:	Aluminium
COVER:	Aluminium
HANDLE:	Zinc Alloy DIN-EN 1774-ZnAl4Cu1
PAD LOCK HASP:	Aluminium



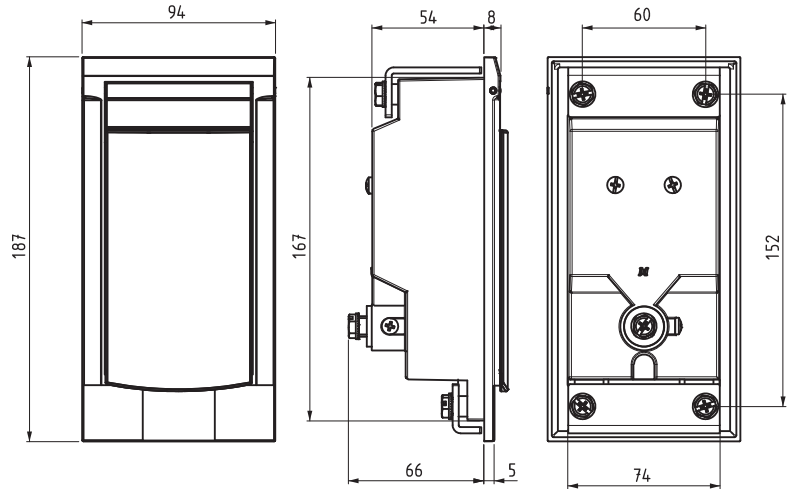
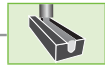
Cut out



# HEAVY-DUTY LATCHES

## T HANDLE HEAVY-DUTY LATCHES

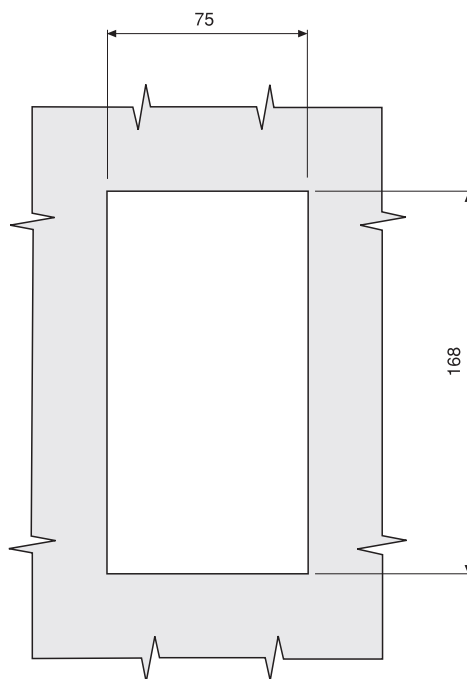
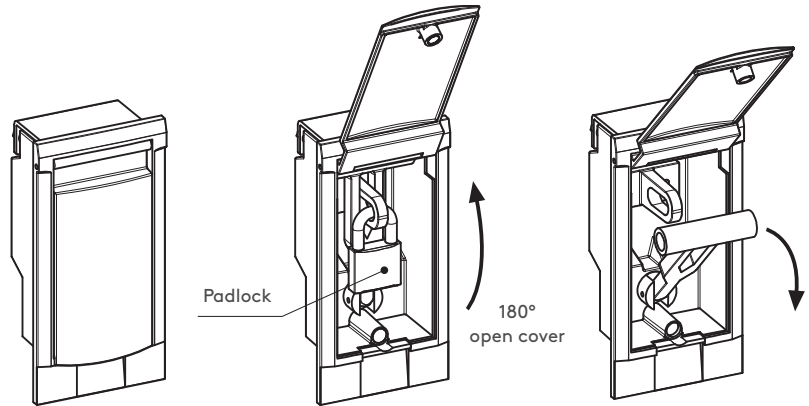
018



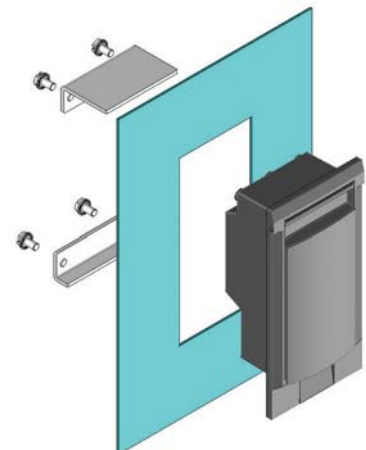
- Especially designed for medium voltage panels
- Foam gasketing provides sealing
- Maximum padlock shackle diameter 9 mm
- For customised cam and colors contact Essentra

### MATERIAL

BODY: Aluminium  
 COVER: Aluminium  
 HANDLE: Zinc Alloy DIN-EN 1774-ZnAl4Cu1  
 PIN: Stainless steel  
 PADLOCK HASP: Zinc Alloy



Cut out





018

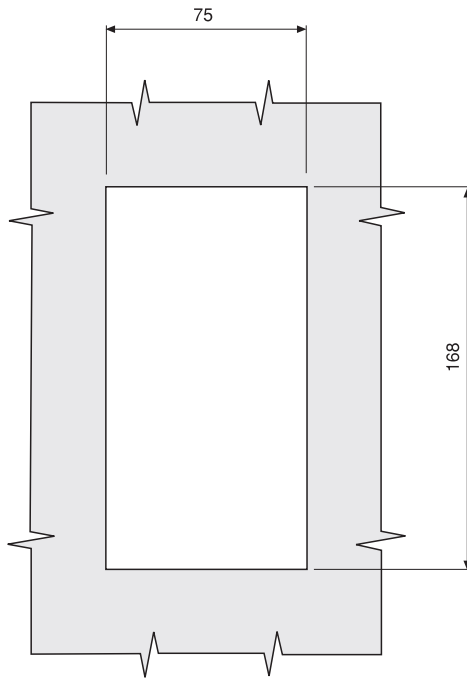
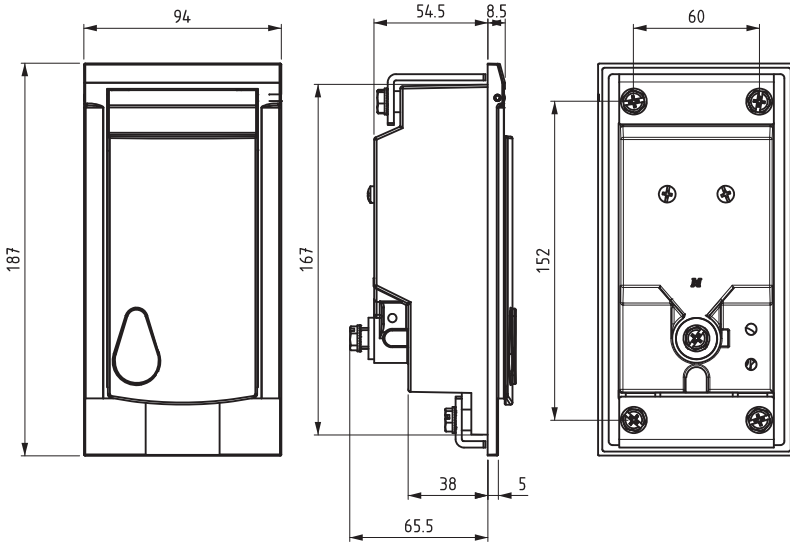
## T HANDLE HEAVY-DUTY LATCHES



- For low voltage cabinets
- Optional polyurethane gasketing
- Maximum padlock shackle diameter 10 mm
- Option to be supplied without painting or plating
- For customised cam contact Essentra

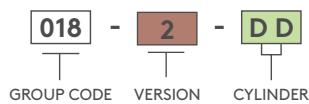
### MATERIAL

BODY: Aluminium  
 COVER: Aluminium  
 HANDLE: Zinc Alloy DIN-EN 1774-ZnAl4Cu1  
 PAD LOCK HASP: Aluminium



Cut out

### PRODUCT CODE



SPECIFICATIONS		DD
Keyed alike		01
Keyed differ		02

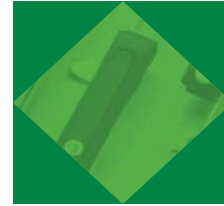


## LATCHES/LOCKS



## MISCELLANEOUS PRODUCTS

GROUP CODE	PRODUCT NAME
012	HVAC LATCH
012 A1	INTERNAL SAFETY HANDLE
012 A2	INTERNAL SAFETY HANDLE
612	HVAC LATCH
712	FUNCTIONAL LOCKING HINGE
078	CLAMPS (3D)
462	BRIDGE CLAMP SYSTEM
075	PANEL LOCK WITH HEXAGONAL HEAD
3501	EMERGENCY STOP BUTTON
077	COMPRESSION TRIGGER LATCH
177	COMPRESSION TRIGGER LATCH
377	SEAL LEVEL LATCH
170	LIFT-AND-TURN LATCH
070	LIFT-AND-TURN LATCH
072	FUNCTIONAL LATCH
270	SWELL LATCH
2800	ROTARY LATCH (MINI)
2810	ROTARY LATCH (LARGE)
3331	ELECTRONIC ROTARY LATCH
2801	CABLES
071	SLIDING LATCH
371	SLIDING LATCH
171	MINI SLIDING LATCH
471	MINI SLIDING LATCH
671	SLIDING LATCH
571	SLIDING LATCH
271	SLIDING LATCH
466	MINI LATCH
183	QUARTER-TURN LATCH
176	HOOKEED LATCH



**PAGE**

126-129

130

130

131-133

134 - 135

136

137

138

139

140

141

142 - 143

144 - 145

146

147

148 - 149

150 - 153

154 - 155

156 - 157

159

160

160

161

161

162

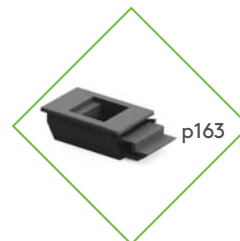
162

163

164

165

166



# MISCELLANEOUS PRODUCTS

## HVAC LATCH

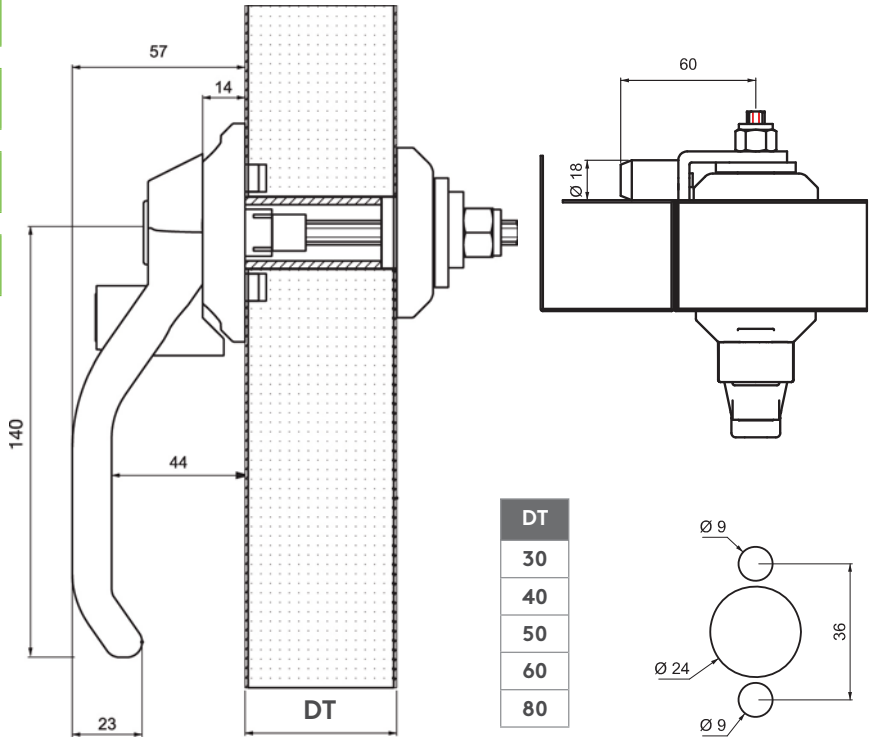
012



Driver System



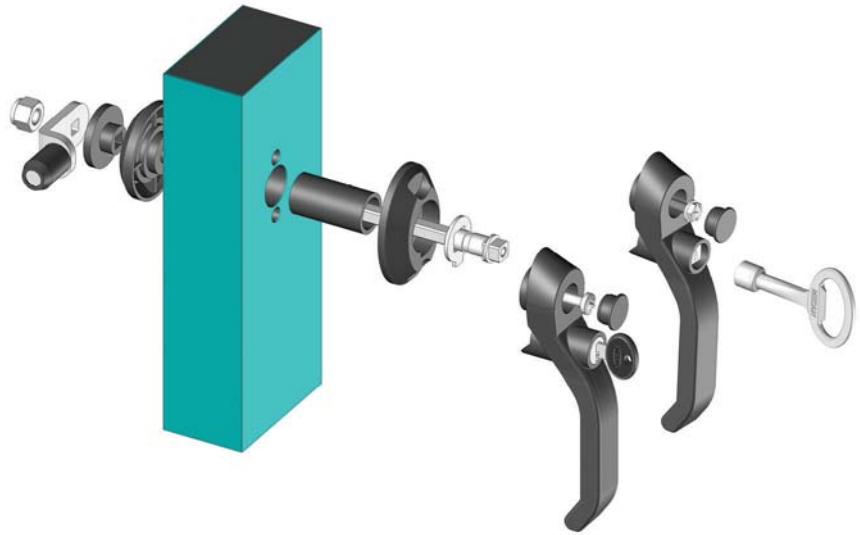
No Cylinder



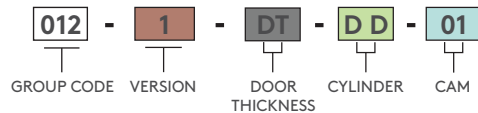
- Removable handle for easy assembly on site
- Roller cam requires less force for locking
- With or without cylinder and driver available
- Can be used for different door thicknesses
- Internal handle available for opening door from inside for safety purposes

### MATERIAL

BODY: Polyamide DIN-EN ISO 1043-1 PA6 GFR 30  
 HANDLE: Polyamide DIN-EN ISO 1043-1 PA6 GFR 30  
 CAM: Steel



### PRODUCT CODE



CYLINDER	SPECIFICATIONS	DD	DRIVER
	No cylinder	00	10 mm Square
	Keyed alike (Stainless steel dust cap)	03	
	Keyed differ (Stainless steel dust cap)	32	DD
	Euro key (5333)	05	
	CH751 (Stainless steel dust cap)	07	
		20	



012

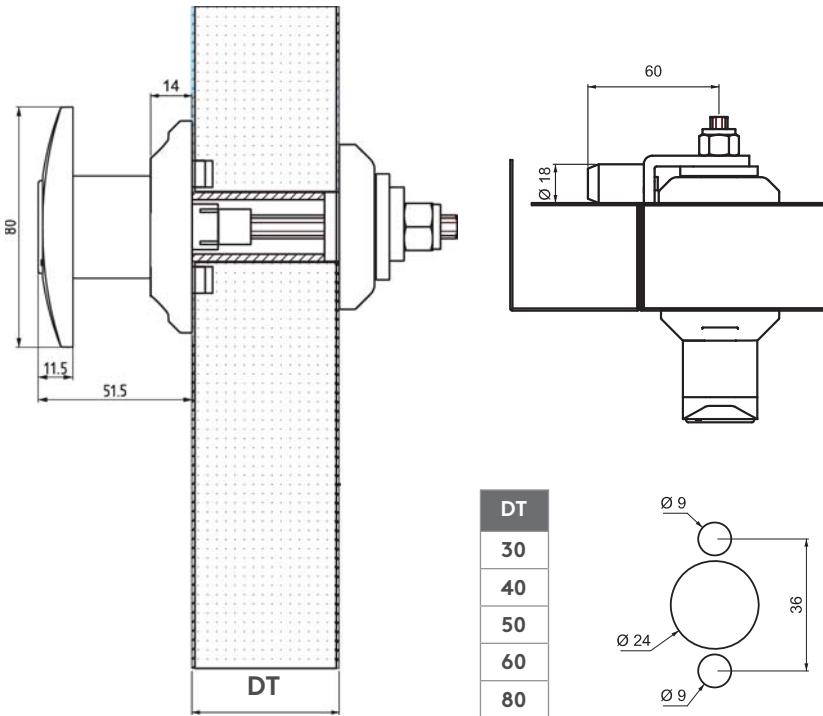
HVAC LATCH



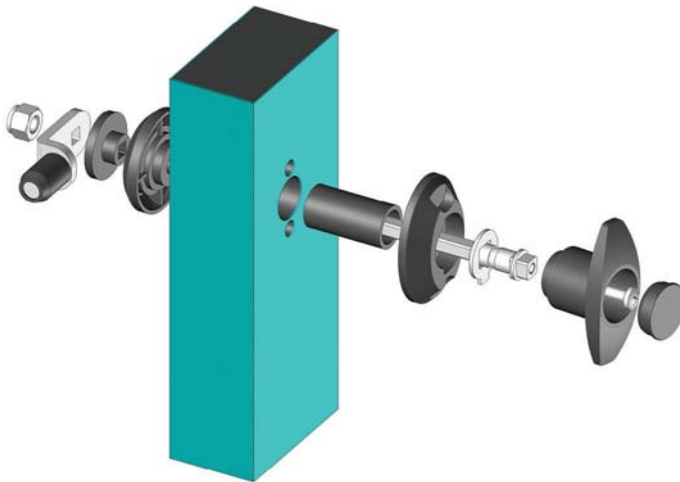
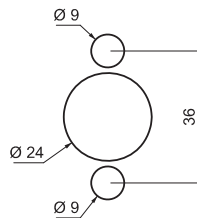
- Roller cam requires less force for locking
- Without-cylinder version
- Can be used for different door thicknesses
- Compact design requires less space

**MATERIAL**

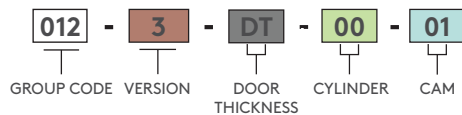
BODY: Polyamide DIN-EN ISO 1043-1 PA6 GFR 30  
 HANDLE: Polyamide DIN-EN ISO 1043-1 PA6 GFR 30  
 CAM: Steel  
 ADJUSTABLE SCREW: Steel



DT
30
40
50
60
80



**PRODUCT CODE**





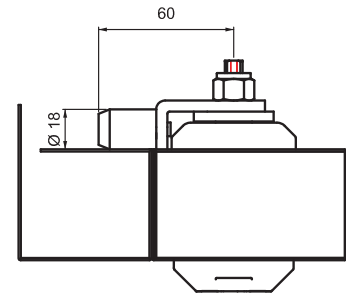
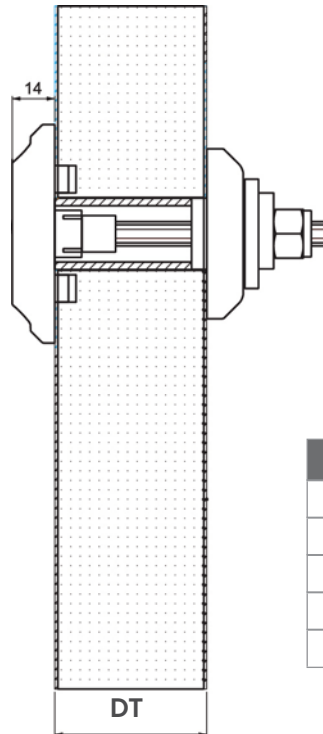
## MISCELLANEOUS PRODUCTS

### HVAC LATCH

012



✓  
RoHS

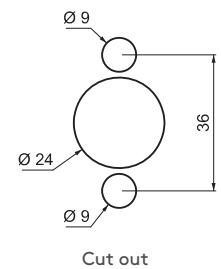


- Can be operated without handle

#### MATERIAL

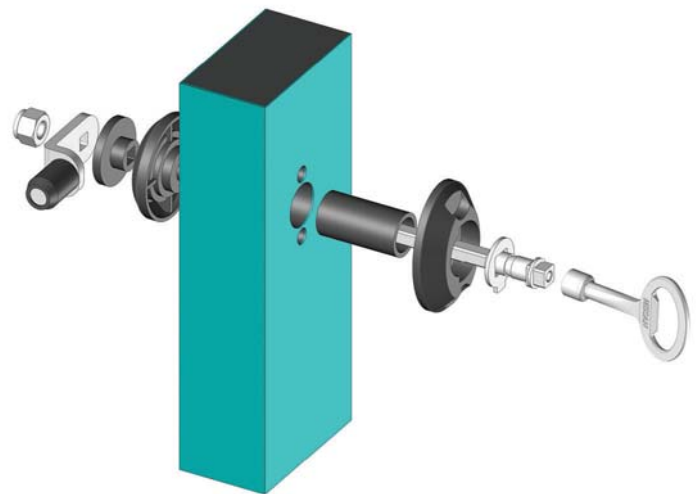
BODY: Polyamide DIN-EN ISO  
1043-1 PA6 GFR 30  
CAM: Steel  
ADJUSTABLE SCREW: Steel

DT
30
40
50
60
80



### METAL KEY

368.20



#### MATERIAL

Zinc Alloy DIN-EN 1774-ZnAl4Cu1

#### FINISH

Chrome plated

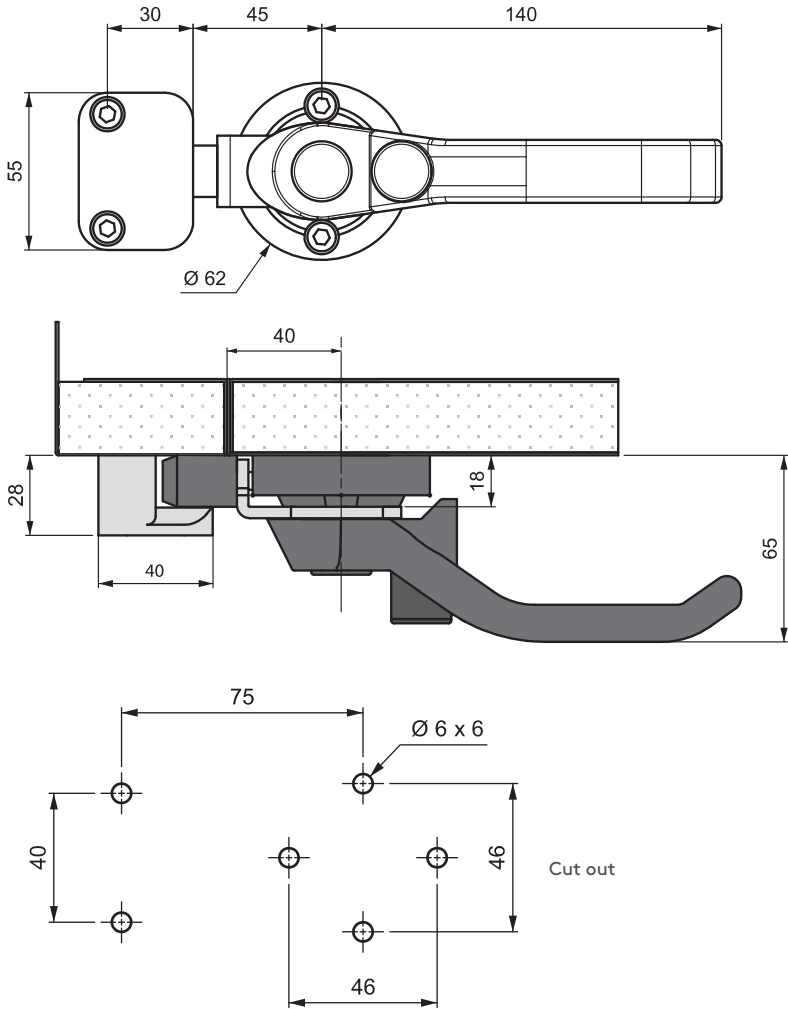
#### PRODUCT CODE

012	-	4	-	DT	-	01
GROUP CODE		VERSION		DOOR THICKNESS		CAM



012

HVAC LATCH



- Outside locking system provides safety for pressurised doors
- Roller cam requires less force for locking
- Can be used for different door thicknesses

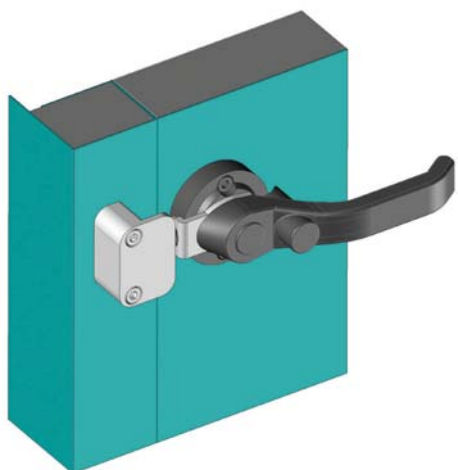
**MATERIAL**  
 BODY: Polyamide DIN-EN ISO 1043-1 PA6 GFR 30  
 HANDLE: Polyamide DIN-EN ISO 1043-1 PA6 GFR 30  
 CAM: Steel

STRIKING PLATE

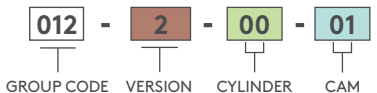
012 A2



**MATERIAL**  
 Zinc Alloy DIN-EN 1774-ZnAl4Cu1



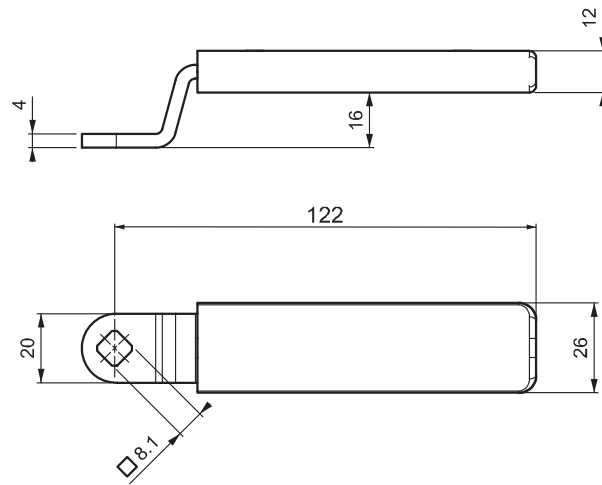
PRODUCT CODE



## MISCELLANEOUS PRODUCTS

### INTERNAL SAFETY HANDLE

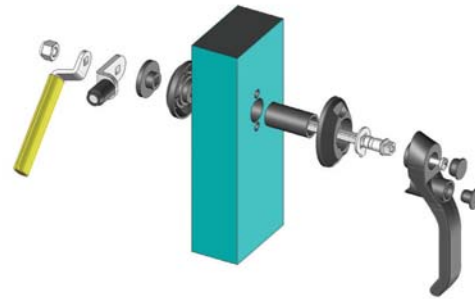
012 A1



- Internal safety handle is optional accessory
- Can only be used when external handle is at unlocking position

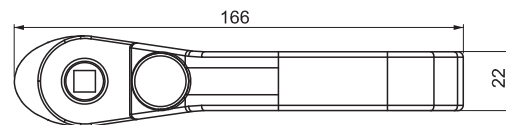
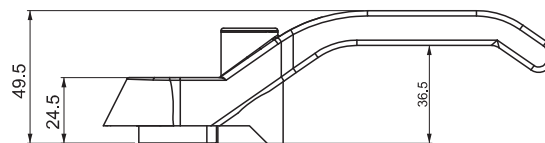
**MATERIAL**  
Steel

**FINISH**  
Polyamide overmould

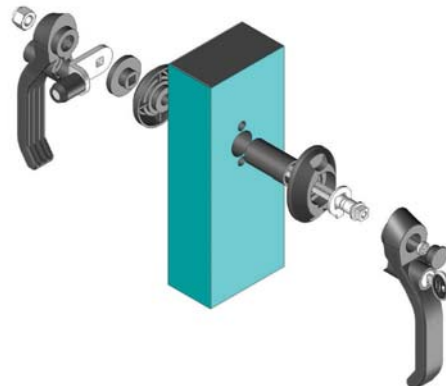


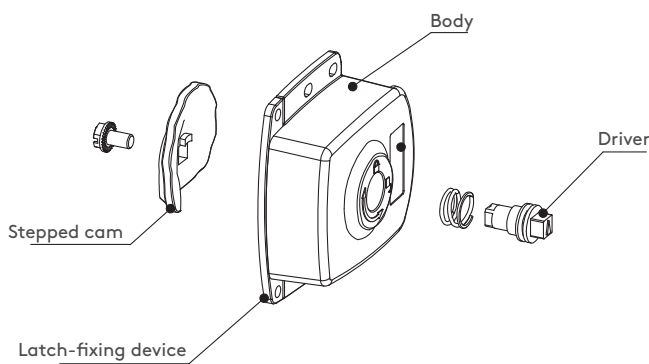
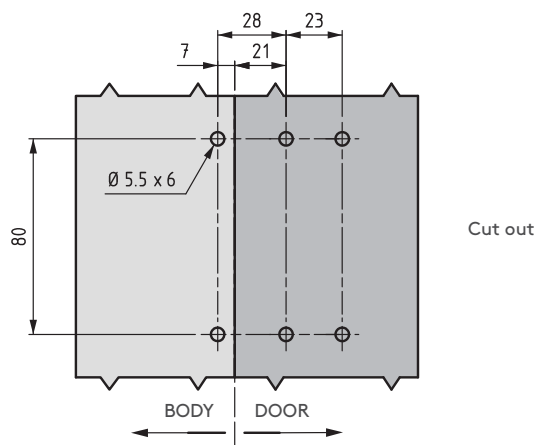
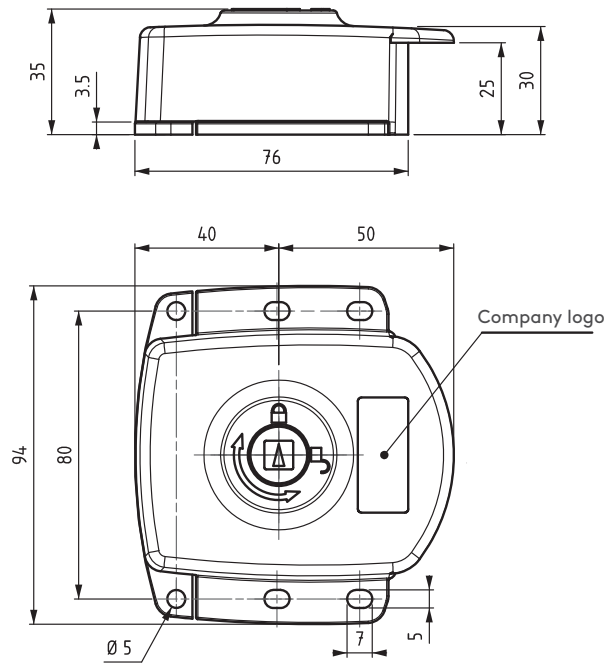
### INTERNAL SAFETY HANDLE

012 A3



**MATERIAL**  
Polyamide DIN-EN ISO  
1043-1 PA6 GFR 30





612

HVAC LATCH



- Outside locking system provides safety for pressurised doors
- For logo application please contact Essentra

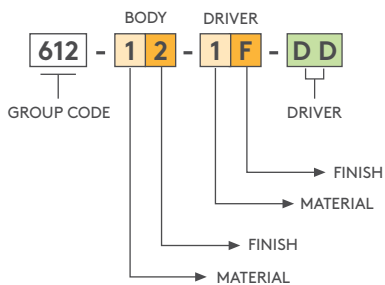
**MATERIAL**

**BODY:** Zinc Alloy DIN-EN 1774-ZnAl4Cu1  
**DRIVER:** Zinc Alloy DIN-EN 1774-ZnAl4Cu1

LATCH-FIXING DEVICE



**PRODUCT CODE**



MATERIAL	M
Zinc Alloy	1

FINISH	F
Chrome	1
Black coated	2

For drivers please check page: 194

# MISCELLANEOUS PRODUCTS

## HVAC LATCH 'T' HANDLE

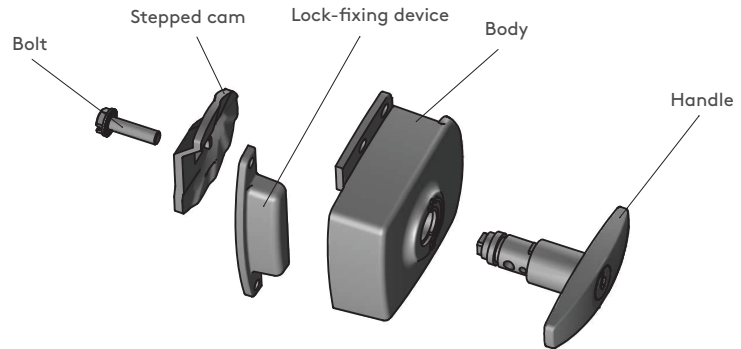
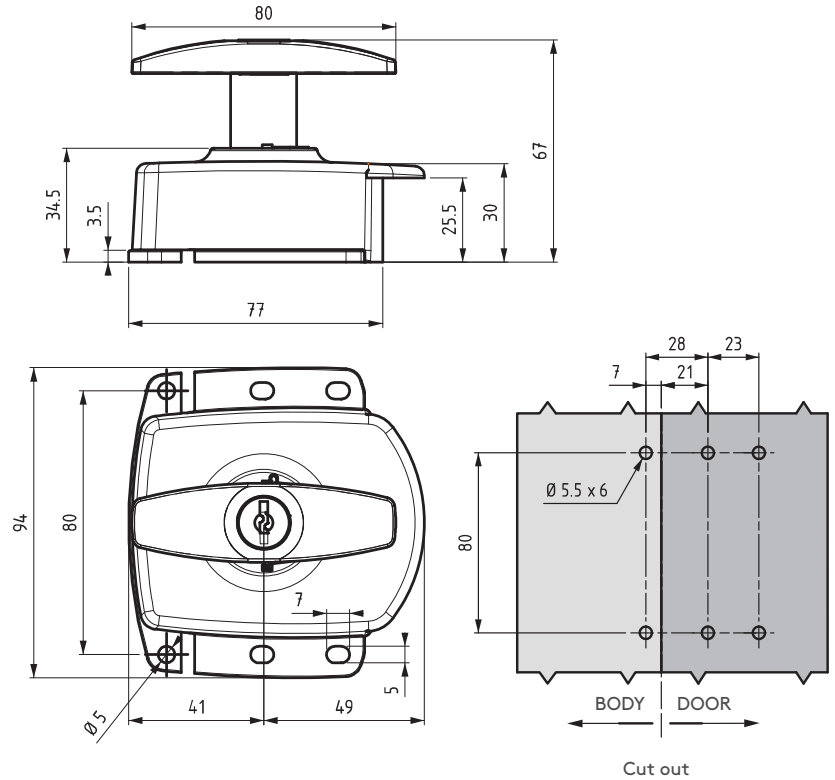
612



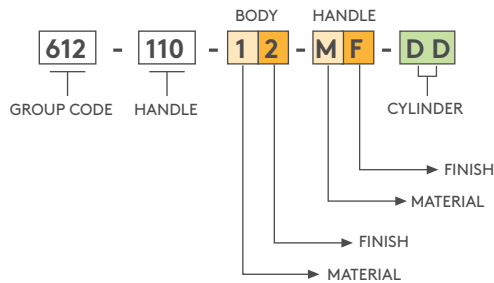
- Outside locking system provides safety for pressurised doors

### MATERIAL

**BODY:** Zinc Alloy DIN-EN 1774-ZnAl4Cu1  
**HANDLE:** Zinc Alloy DIN-EN 1774-ZnAl4C or PA6 GFR 30




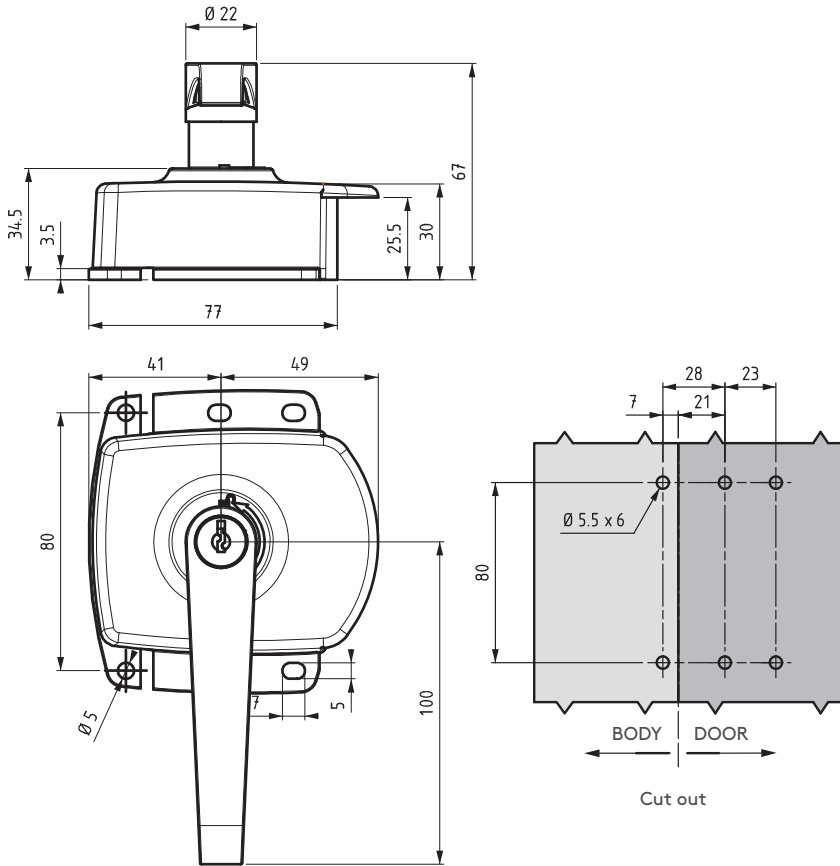
### PRODUCT CODE



MATERIAL	M
Zinc Alloy	1
Plastic	2

FINISH	F
No Finish	0
Chrome	1
Black coated	2

CYLINDER	SPECIFICATIONS	DD
	No cylinder	00
	Stainless steel dust cap (Keyed alike)	03
	Stainless steel dust cap (Keyed differ)	32
	Euro key (5333)	05
	CH751 (Stainless steel dust cap)	07



612

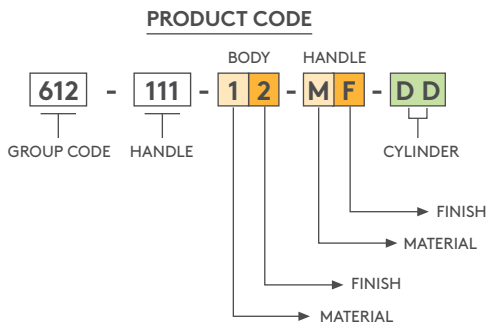
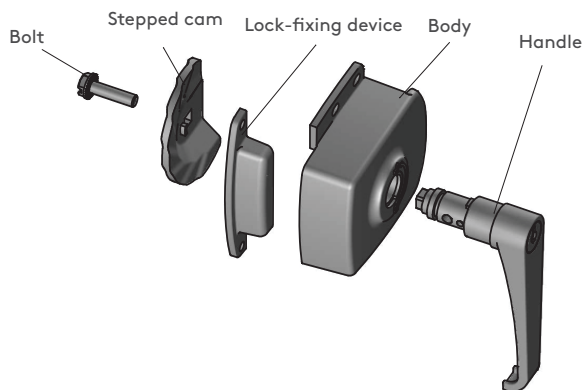


HVAC LATCH 'L' HANDLE



- Outside locking system provides safety for pressurised doors

BODY: Zinc Alloy DIN-EN 1774-ZnAl4Cu1  
 HANDLE: Zinc Alloy DIN-EN 1774-ZnAl4C or PA6 GFR 30



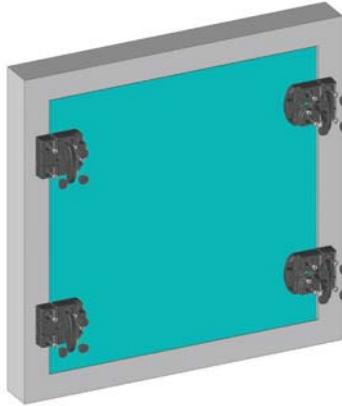
MATERIAL	M
Zinc Alloy	1
Plastic	2

FINISH	F
No Finish	0
Chrome	1
Black coated	2

CYLINDER	SPECIFICATIONS	DD
	No cylinder	00
	Stainless steel dust cap (Keyed alike)	03
	Stainless steel dust cap (Keyed differ)	32
	Euro key (5333)	05
	CH751 (Stainless steel dust cap)	07

FUNCTIONAL LOCKING HINGE

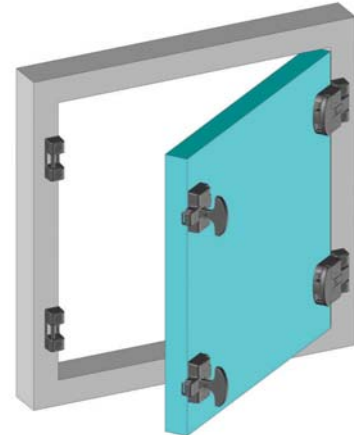
712



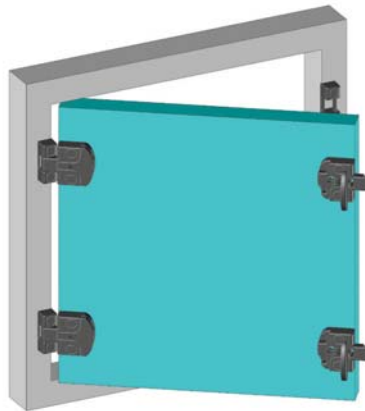
**Assembly:**

Functional locking hinge can be mounted left or right side of the door.

One side function as a hinge the other function as a latch



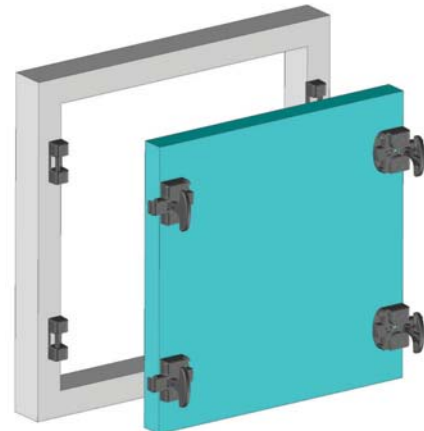
**Right cover application:**  
right hinge - left latch



**Left cover application:**  
left hinge - right latch

**Removing the door**

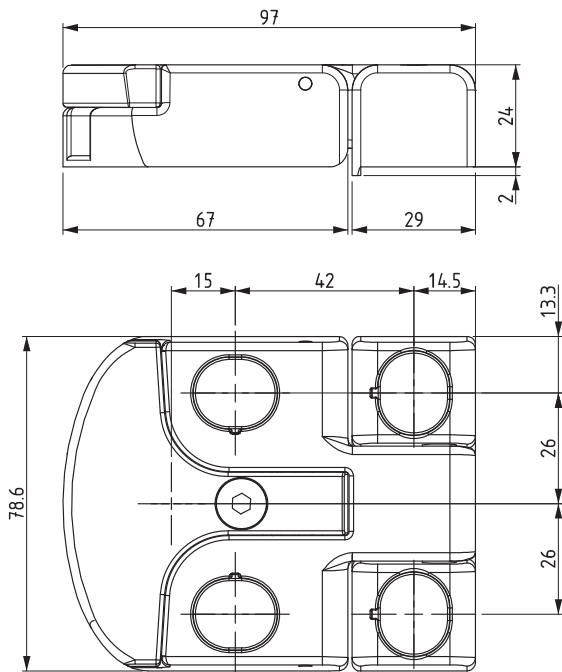
- Lift the handle
- Remove the door.





712

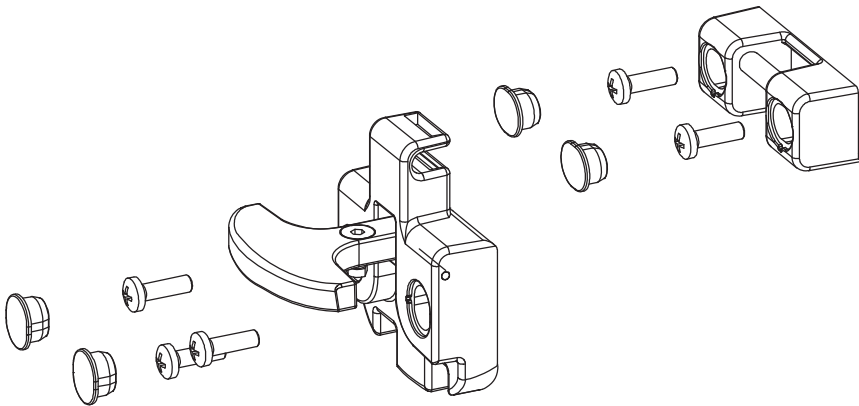
FUNCTIONAL LOCKING HINGE



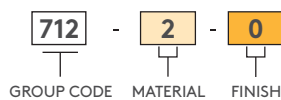
- Latch can also be used as hinge
- Door can be completely removed by unlocking the both products

**MATERIAL**

BODY: Polyamide DIN-EN ISO 1043-1 PA6 GFR 30  
 HANDLE: Polyamide DIN-EN ISO 1043-1 PA6 GFR 30  
 DRIVER: Zinc Alloy DIN-EN 1774-ZnAl4Cu1  
 CAM: Zinc Alloy DIN-EN 1774-ZnAl4Cu1  
 CATCH PLATE: Zinc Alloy DIN-EN 1774-ZnAl4Cu1



**PRODUCT CODE**





# MISCELLANEOUS PRODUCTS

## CLAMPS (3D)

078



- Available in all die-cast zinc alloy
- 3D capability
- High mechanical resistance

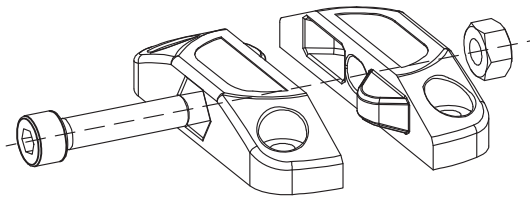
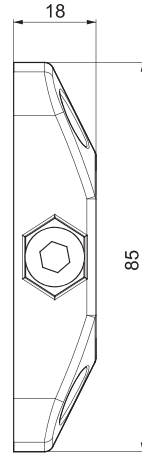
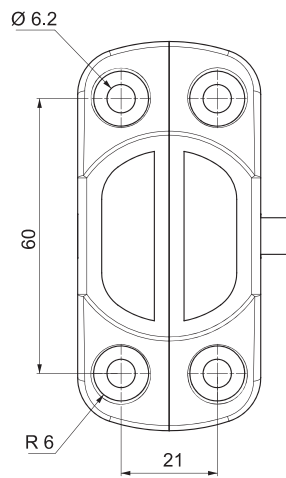
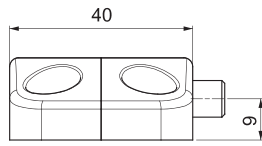
### MATERIAL

BODY: Zinc Alloy DIN-EN 1774-ZnAl4Cu1

BOLT: Steel  
NUT: Steel

### FINISH

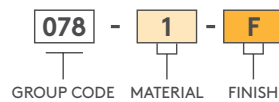
Zinc Plated or black coated



**Note:** Bolts are not supplied



### PRODUCT CODE



MATERIAL		FINISH	
Zinc Alloy	1	No Finish	0
		Zinc plated	3
		Black coated	2



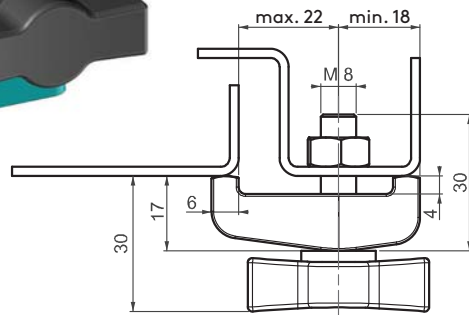
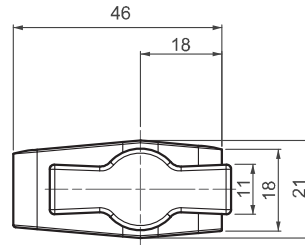
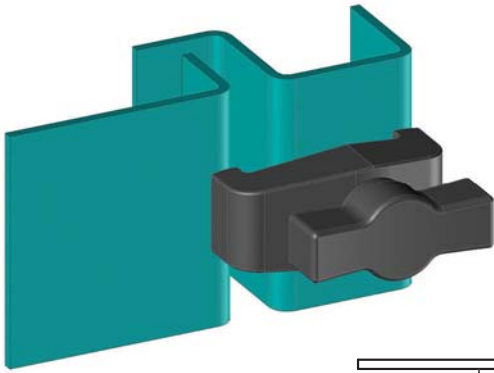
462

BRIDGE CLAMP SYSTEM

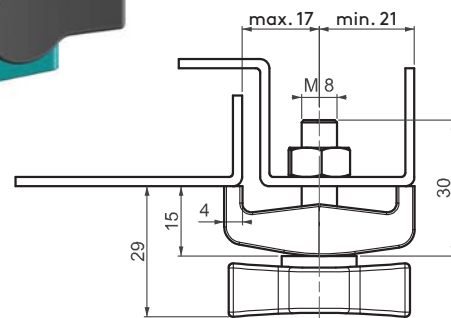
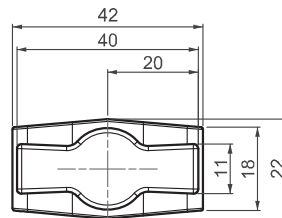
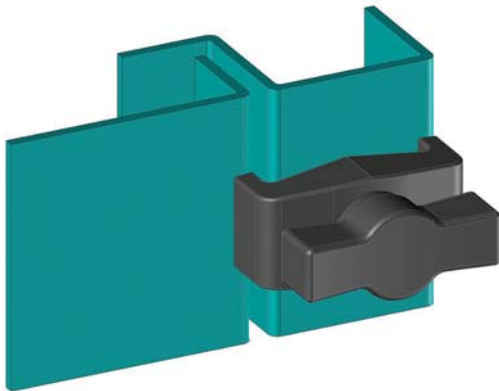


**MATERIAL**  
 HOUSING: PA6 GFR 30  
 KNOB: PA6 GFR 30  
 SCREW: Steel

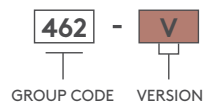
V :1



V :2



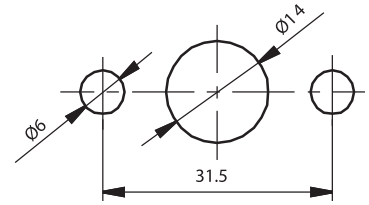
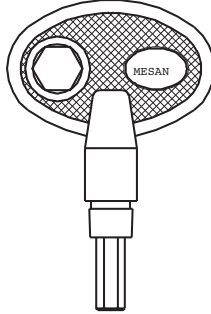
PRODUCT CODE



# MISCELLANEOUS PRODUCTS

## PANEL LOCK WITH HEXAGONAL HEAD

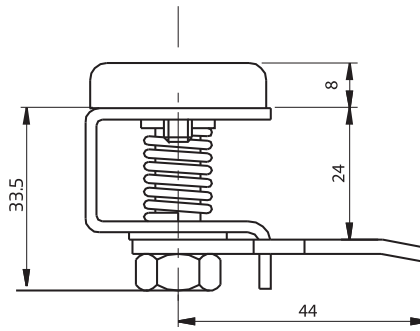
075



Cut out

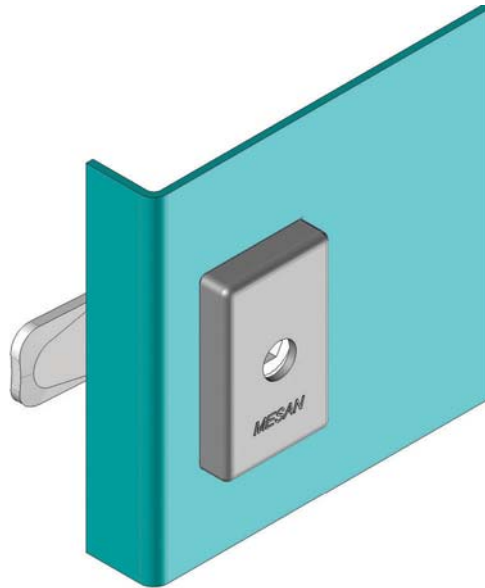
### MATERIAL

BODY: Steel  
CAM: Steel  
COVER: Plastic

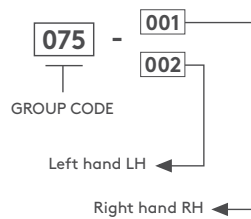


## ALLEN KEY

169-66



### PRODUCT CODE

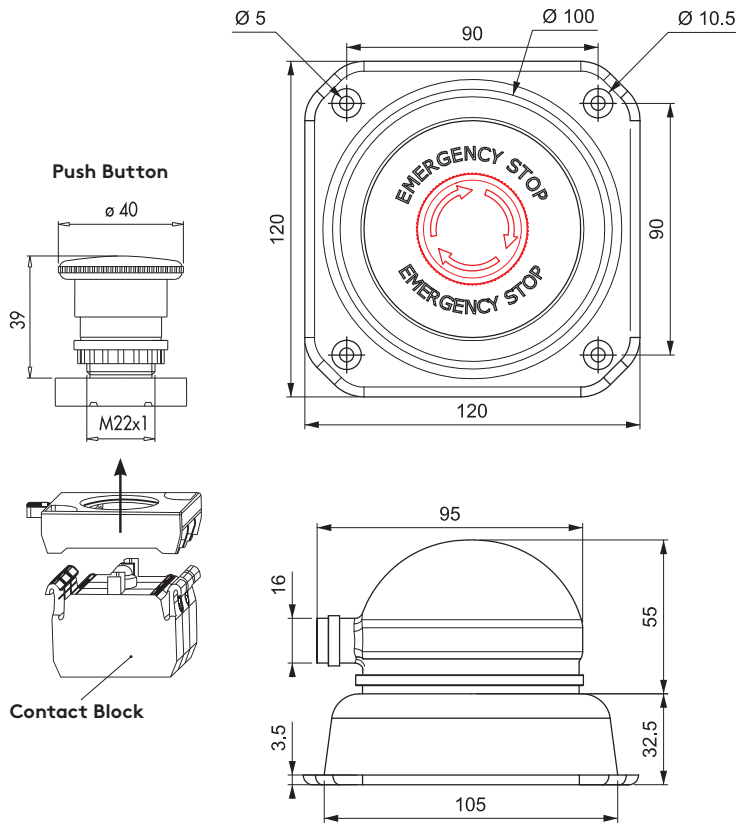




3501

EMERGENCY STOP BUTTON

IP 65  
NEMA 4



- Easy to install
- Different contact options (max. 3 contact)
- Standard wire length is 2.5 m  
Standard conduit length is 2 m

**MATERIAL**

BOWL: Polyamid DIN-EN ISO 1043-1 PA6 GFR 30

PROTECTIVE COVER: PVC

GASKET: EPDM

SPIRAL CONDUIT: PA6

CABLE GLAND: PA66

**BUTTON SPECIFICATIONS**

Mechanical Life : 500.000 operations min.

Electrical Life : 100.000 operations min.

Operating Temperature : min./max. °C -5/+40

Protection Degree : IP65

Operating Frequency : Without load 3000 oper./hour - At full load 1200 oper./hour

Rated Operating Voltage  $U_e$  : 230 V AC

Rated Operating Current  $I_e$  : 4 A

Insulation Voltage  $U_i$  : 300 V

Stroke Resistance Voltage  $U_{imp}$  : 2.5 kV

Standard Contact Material : AgNi

Insulation Resistance : 10 MΩ min. (500 V DC)

Dielectrical Strength :

Between body-contact: 2000 V AC

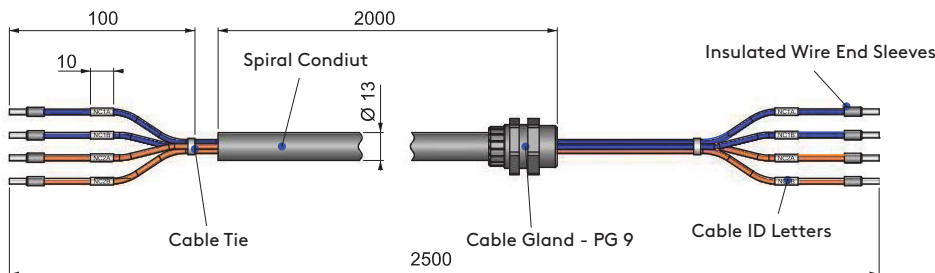
Open contact : 1500 V AC

Connection Cable Cross-Section :

1.5-2.5 mm<sup>2</sup>

Standard : UL 508/TS EN 60947-5-1/

VDE0660/IEC 60393-1

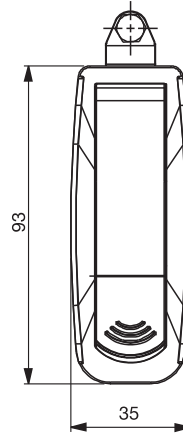


Contact Block Type		Product Code	
Normally Open	Normally Closed	LED	3501.V
-	1	-	3501.1
-	2	-	3501.2
1	1	-	3501.3
1	-	-	3501.4
2	-	-	3501.5
-	1	Fixed	3501.1.1
-	1	Flash	3501.1.2
-	2	Fixed	3501.2.1
-	2	Flash	3501.2.2
1	1	Fixed	3501.3.1
1	1	Flash	3501.3.2
1	-	Fixed	3501.4.1
1	-	Flash	3501.4.2
2	-	Fixed	3501.5.1
2	-	Flash	3501.5.2

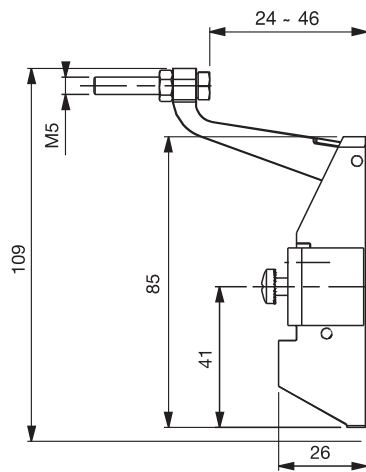
# MISCELLANEOUS PRODUCTS

## COMPRESSION TRIGGER LATCH

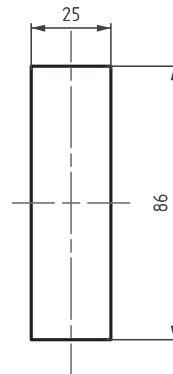
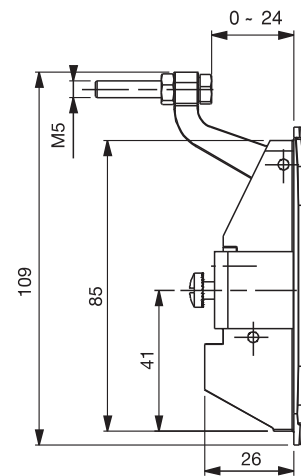
077



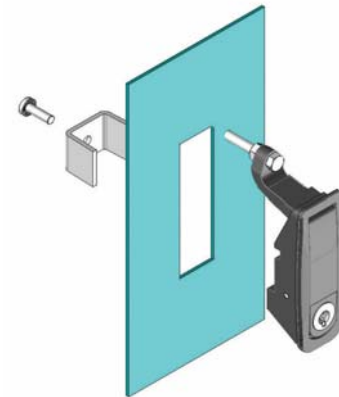
V : 1



V : 2



Cut out

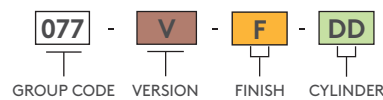


- Flush trigger design
- Available with or without cylinder
- 0-24mm or 24-46mm adjustable grip range
- Suitable for panel thickness of  $\leq 2$ mm
- Assemble latch with one fixing bracket

### MATERIAL

BODY: Zinc Alloy DIN-EN 1774-ZnAl4Cu1  
 HANDLE: Zinc Alloy DIN-EN 1774-ZnAl4Cu1  
 FIXING BRACKET: Steel

### PRODUCT CODE

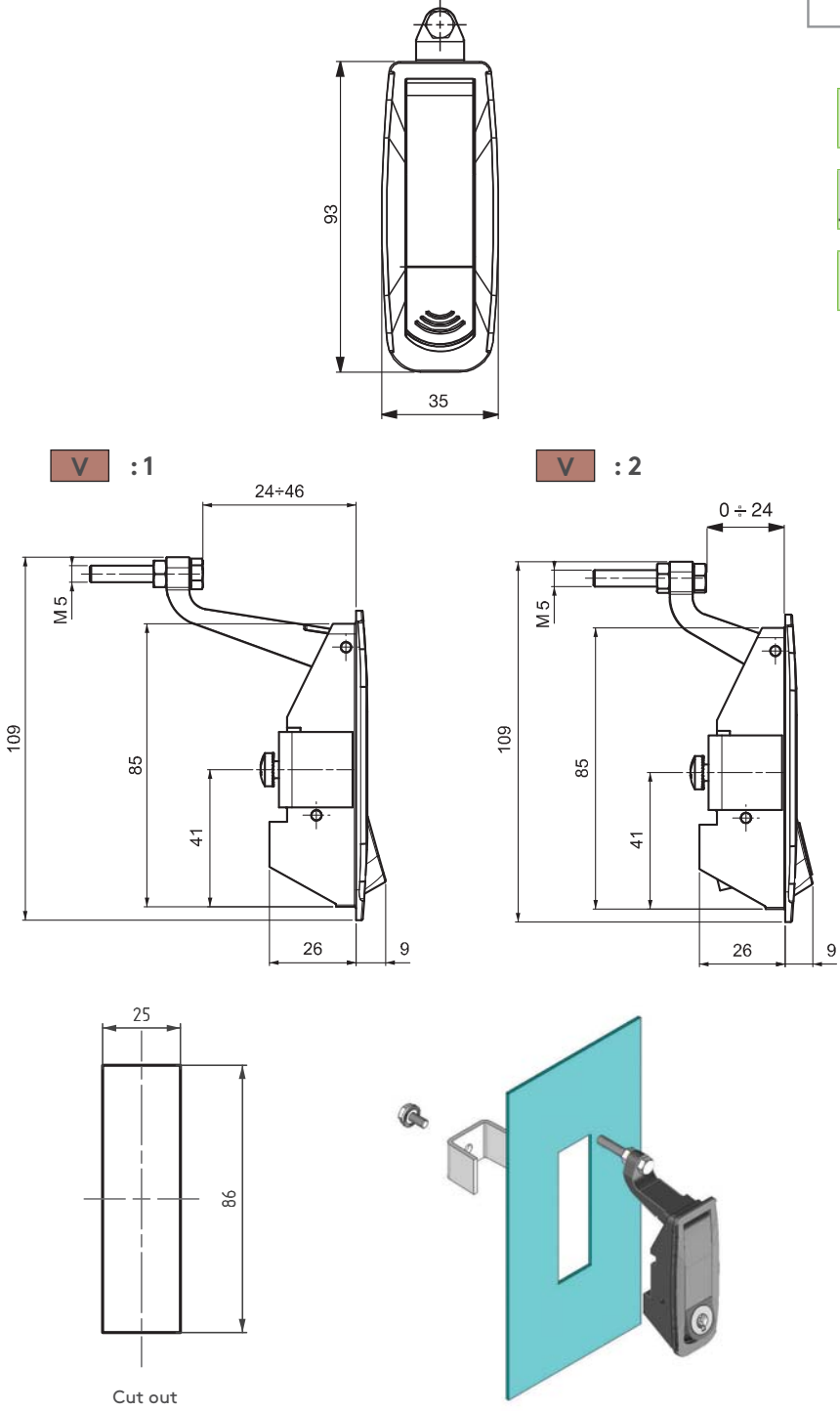


FINISH	F
Chrome	1
Black coated	2

SPECIFICATIONS	DD
No cylinder	00
Keyed alike	01
Keyed differ	02
Euro Key	05
CH751 (Stainless steel dust cap)	07



**177** COMPRESSION TRIGGER LATCH



- Raised trigger design
- Available with or without cylinder
- 0-24mm or 24-46mm adjustable grip range
- Suitable for panel thickness of  $\leq 2$ mm
- Assemble latch with one fixing bracket

**MATERIAL**  
 BODY: Zinc Alloy DIN-EN 1774-ZnAl4Cu1  
 HANDLE: Zinc Alloy DIN-EN 1774-ZnAl4Cu1  
 FIXING BRACKET: Steel

**PRODUCT CODE**

177 - V - F - DD

GROUP CODE    VERSION    FINISH    CYLINDER DRIVER

FINISH	F
Chrome	1
Black coated	2

SPECIFICATIONS	DD
No cylinder	00
Keyed alike	01
Keyed differ	02
Euro Key	05
CH751 (Stainless steel dust cap)	07

DRIVER	
Slot	
DD	
42	

SEAL LEVEL LATCH

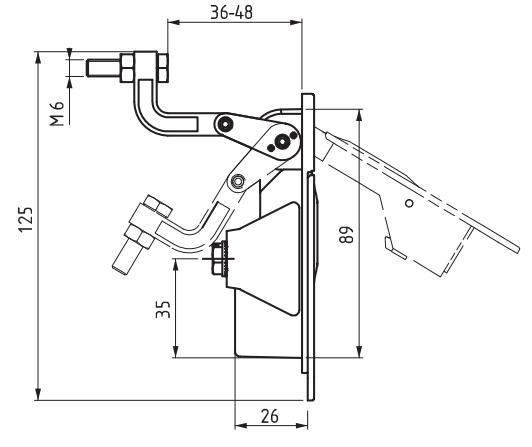
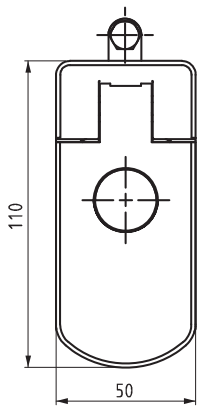
377



V :1



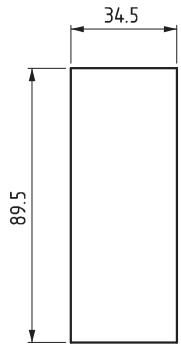
- RoHS
- IP 65 NEMA 4



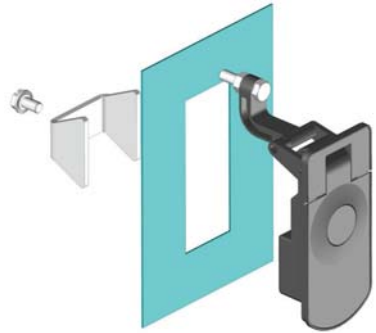
Driver System



No Cylinder



Cut out



- Available with or without cylinder
- Adjustable between 36 mm – 48 mm grip
- Suitable for maximum 2 mm door thickness
- Assemble by only one bracket

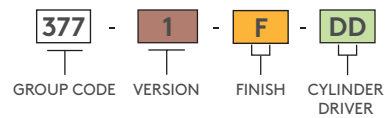
APPLICATIONS

Generators, compressors, electric panels, machinery covers

MATERIAL

BODY: Zinc Alloy DIN-EN 1774-ZnAl4Cu1  
 HANDLE: Zinc Alloy DIN-EN 1774-ZnAl4Cu1  
 FIXING BRACKET: Steel


PRODUCT CODE



FINISH	F
Chrome	1
Black coated	2

CYLINDER	DD
No cylinder	00
Stainless steel dust cap (Keyed alike)	03
Stainless steel dust cap (Keyed differ)	32
Euro Key	05
CH751 (Stainless steel dust cap)	07

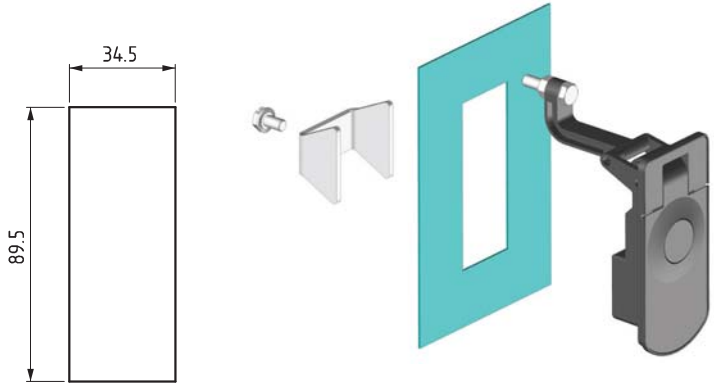
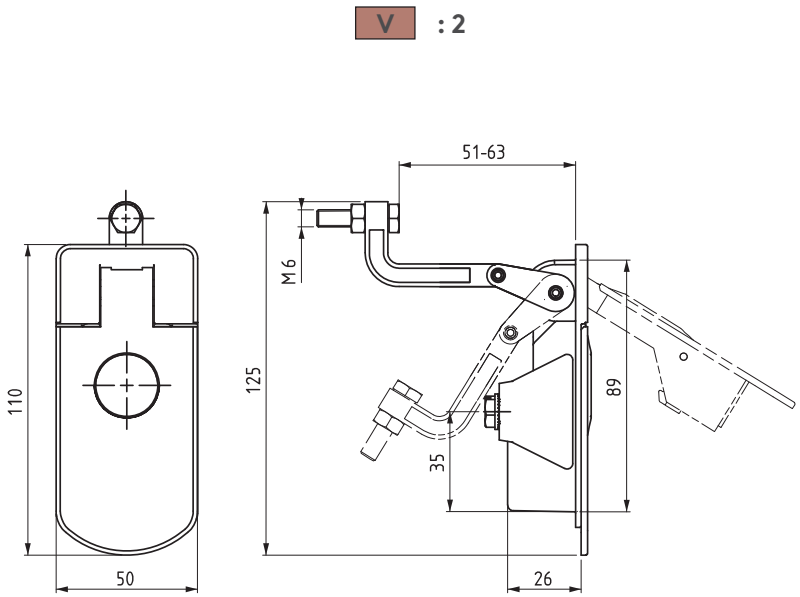
DRIVER	DD
Slot	42





377

SEAL LEVEL LATCH



Cut out

Driver System

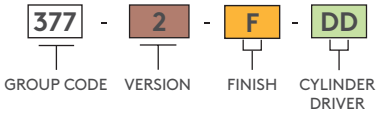


No Cylinder



- Available with or without cylinder
- Adjustable between 51 mm – 63 mm grip
- Suitable for maximum 2 mm door thickness
- Assemble by only one bracket

PRODUCT CODE



FINISH	F
Chrome	1
Black coated	2

CYLINDER	DD
No cylinder	00
Stainless steel dust cap (Keyed alike)	03
Stainless steel dust cap (Keyed differ)	32
Euro Key	05
CH751 (Stainless steel dust cap)	07

DRIVER	DD
Slot	42

APPLICATIONS

Generators, compressors, electric panels, machinery covers

MATERIAL

BODY: Zinc Alloy DIN-EN 1774-ZnAl4Cu1  
 HANDLE: Zinc Alloy DIN-EN 1774-ZnAl4Cu1  
 FIXING BRACKET: Steel



# MISCELLANEOUS PRODUCTS

## LIFT-AND-TURN LATCH

170

ALL IN METAL



RoHS

V :1

- For cabinets that require better sealing under vibrating conditions
- Provides 5 mm of compression
- Provides noise isolation
- Three cam alternatives available

**MATERIAL**

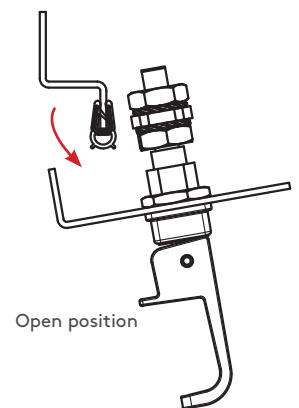
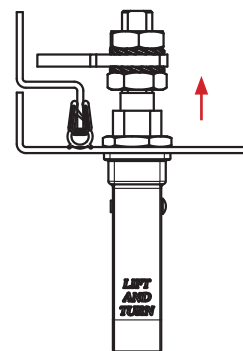
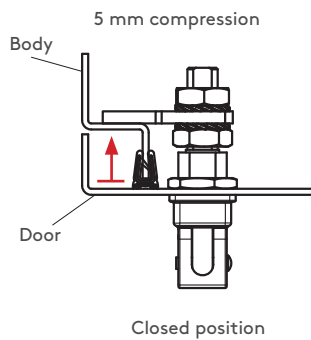
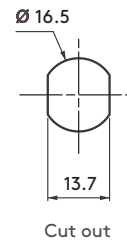
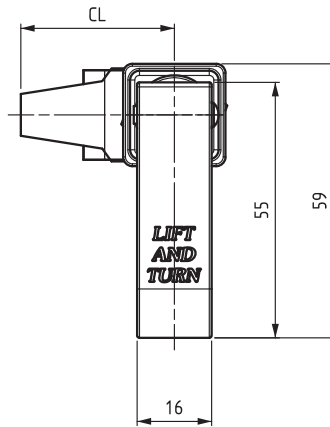
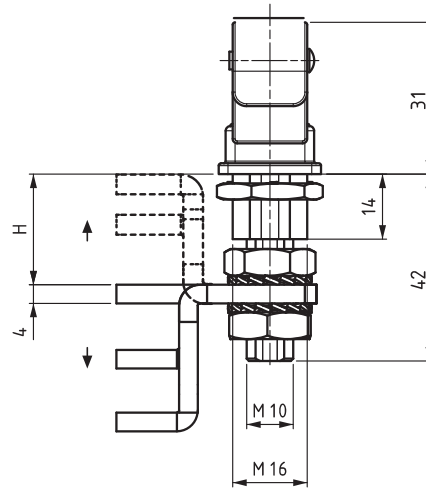
HOUSING: Zinc Alloy DIN-EN 1774-ZnAl4Cu1

HANDLE: Zinc Alloy DIN-EN 1774-ZnAl4Cu1

CAM: Steel

**FINISH**

Chrome plated or black coated

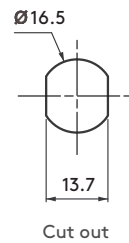
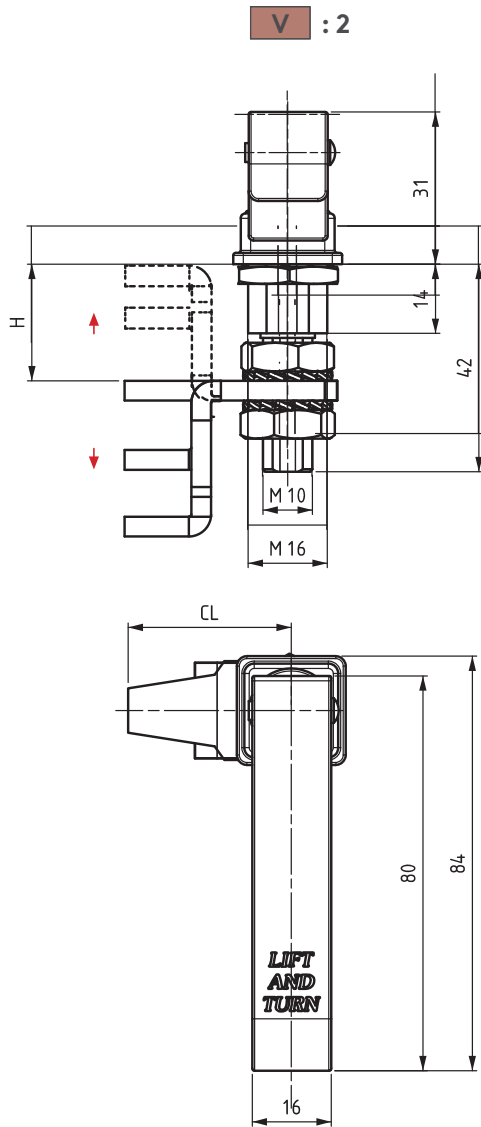




170

LIFT-AND-TURN LATCH

ALL IN METAL



- For cabinets that require better sealing under vibrating conditions
- Latch provides 5 mm of compression
- Provides noise isolation
- Three cam alternatives available

**MATERIAL**

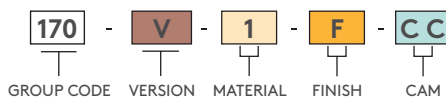
HOUSING: Zinc Alloy DIN-EN 1774-ZnAl4Cu1  
 HANDLE: Zinc Alloy DIN-EN 1774-ZnAl4Cu1  
 CAM : Steel

**FINISH**

Chrome plated or black coated

CAM	CC	CH	CL	H GRIP	
				MIN CAM ↑	MAX CAM ↓
1	01	0	33	22.5	30
2	02	14	33	8.5	44
3	03	27.5	33	0	57.5

**PRODUCT CODE**



FINISH	F
Chrome	1
Black coated	2

## MISCELLANEOUS PRODUCTS

### LIFT-AND-TURN LATCH

070



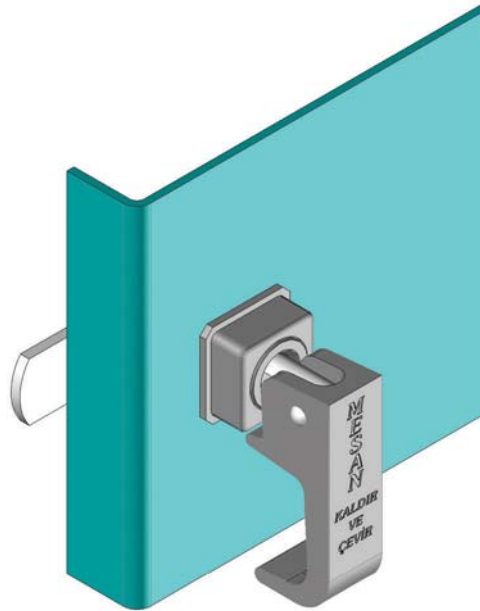
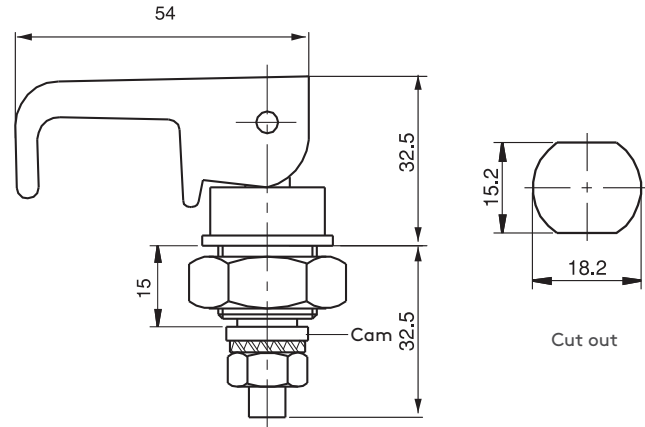
✓  
RoHS



- Suitable for steel and polyester panels
- Provides 5 mm of compression

#### MATERIAL

BODY: Polyamide DIN-EN ISO  
1043-1 PA6 GFR 30  
CAM: Steel





072

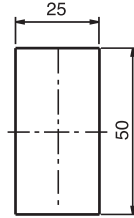
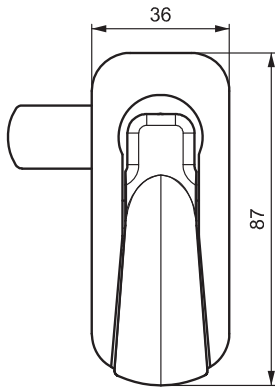
FUNCTIONAL LATCH



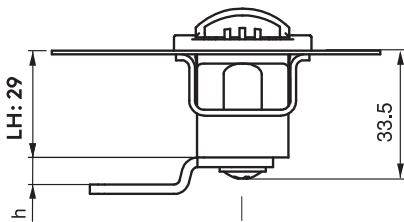
- Suitable for steel and polyester panels
- Standard cut out for both versions
- Clip fixing version suitable for panels with thickness of between 0.8 mm and 2 mm

MATERIAL

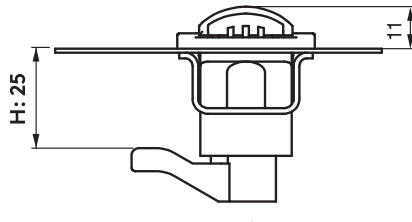
BODY: Polyamide DIN-EN ISO 1043-1 PA6 GFR 30  
 CAM: Steel or PA6 GFR 30



Cut out

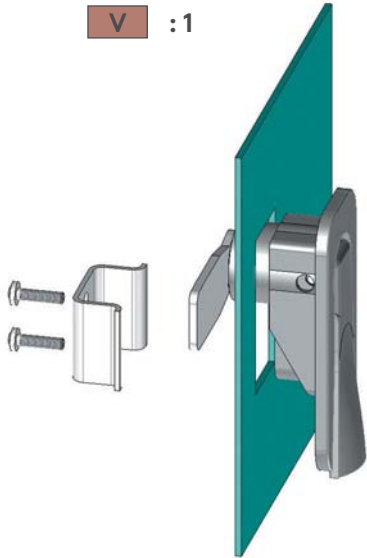


Steel cam



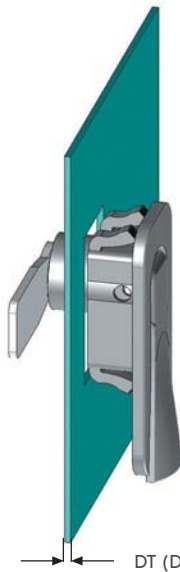
Plastic cam  
CC: 80

V :1



V :2

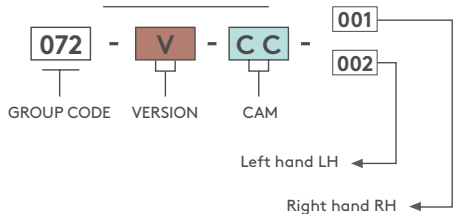
Clip-in fixing



DT	
Min	Max
0.8mm	2mm

DT (DOOR THICKNESS)

PRODUCT CODE



For cams please check page: 175

SWELL LATCH

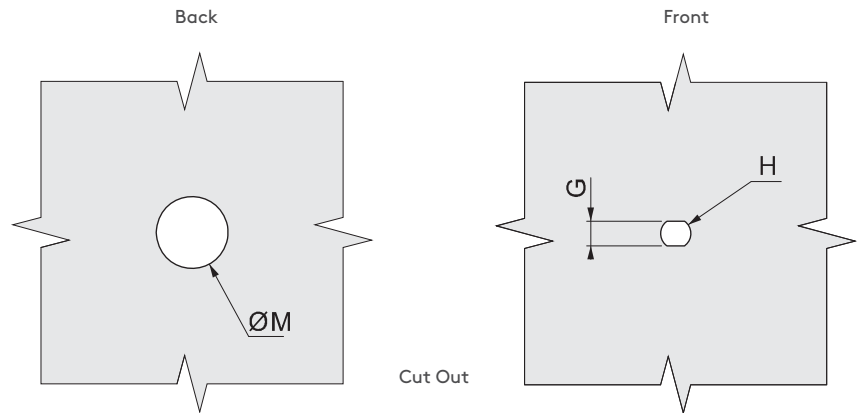
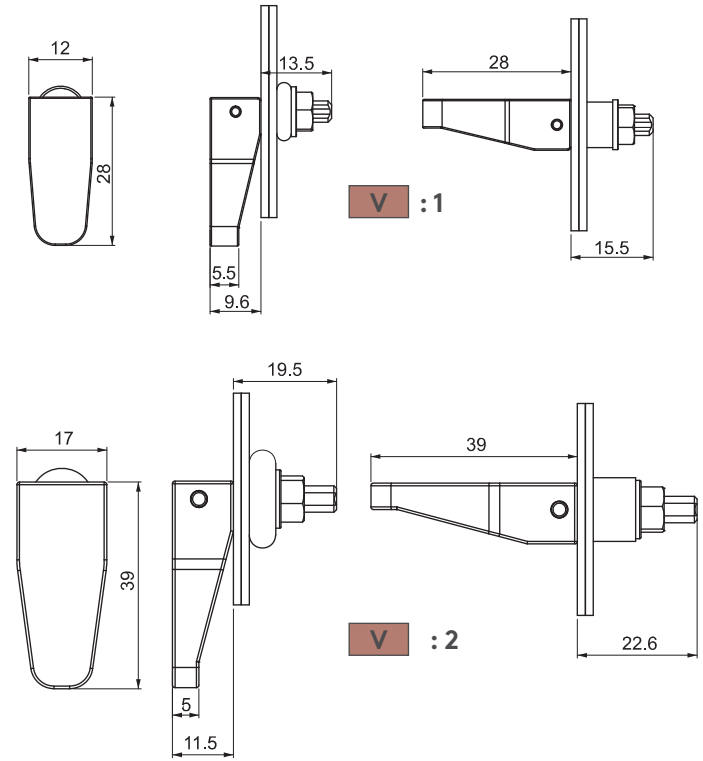
270



- Used for the cabinets that require better under vibration conditions.
- It is suitable with special cut out for different frame thickness.

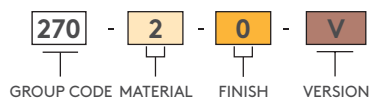
MATERIAL

HANDLE: Polyamide DIN-EN ISO 1043-1 PA6 GFR 30  
 WASHER: PA66  
 NUT : PA66  
 BUSHING : SBR Rubber



VERSION	G +0.1 -0.0	H +0.1 -0.0	FRAME THICKNESS	CUT OUT ØM
1	3.3	4.1	3.2	9.5
2	4.5	5.8	Up to 3.2	13.5
			3.2 - 4.8	14

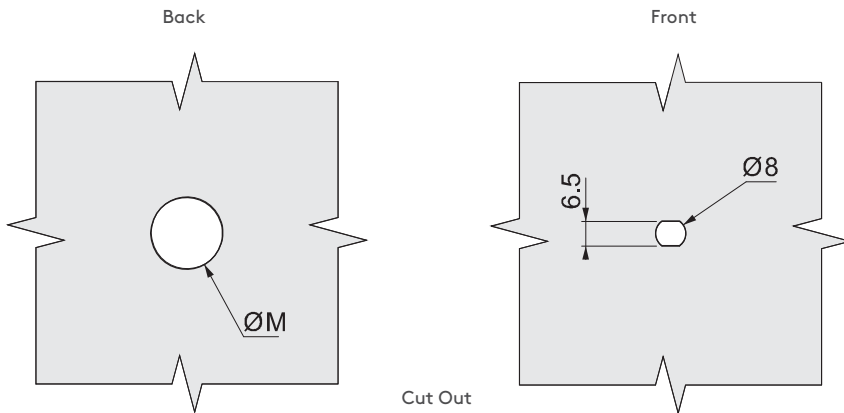
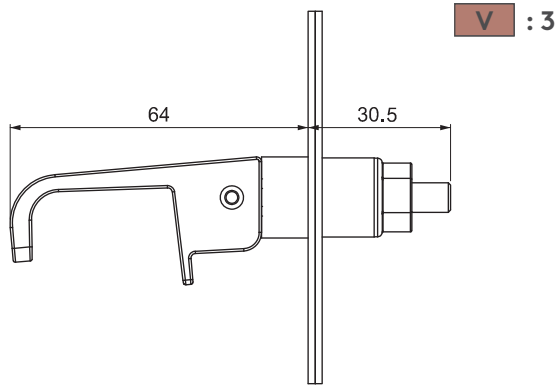
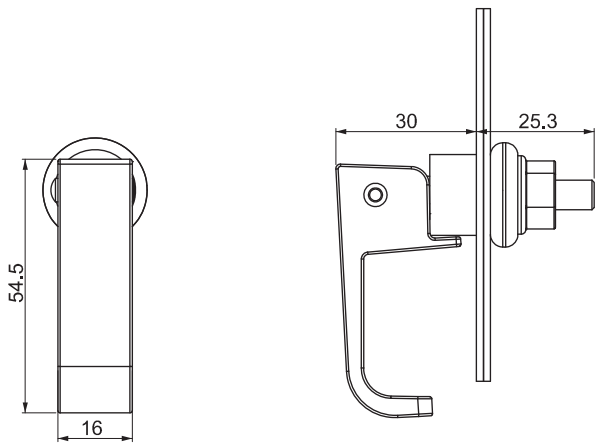
PRODUCT CODE





270

**SWELL LATCH**

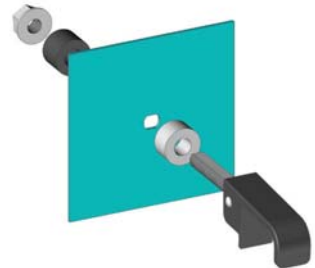


FRAME THICKNESS	CUT OUT ØM
1.2-3.2	19
3.2-4.8	19.5
4.8-6.4	20
6.4 and up	20.5

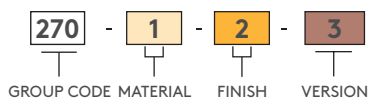


- Used for the cabinets that require better under vibration conditions.
- It is suitable with special cut out for different frame thickness.

**MATERIAL**  
 HANDLE: Zinc Alloy DIN-EN 1774-ZnAl4Cu1  
 WASHER: PA66  
 NUT : PA66  
 BUSHING : SBR Rubber



**PRODUCT CODE**



# MISCELLANEOUS PRODUCTS

## ROTARY LATCH (MINI)

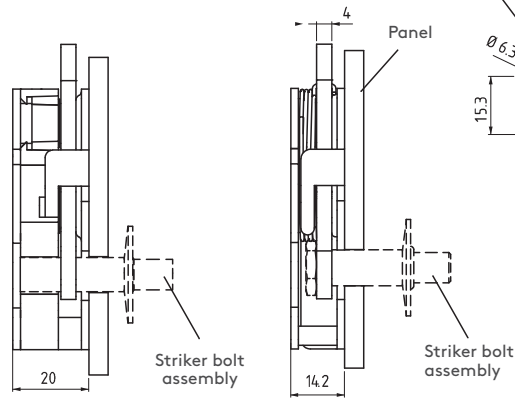
2800

BOTTOM

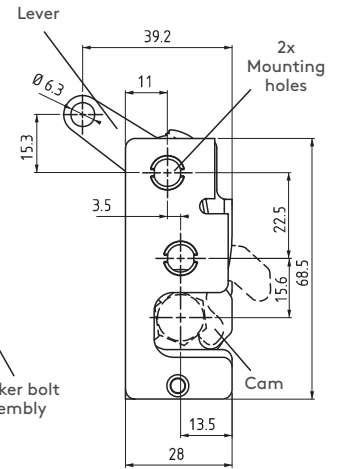


### Bumper Version

Dimensions are same as standard version except as shown



### Standard Version



(Left hand application)

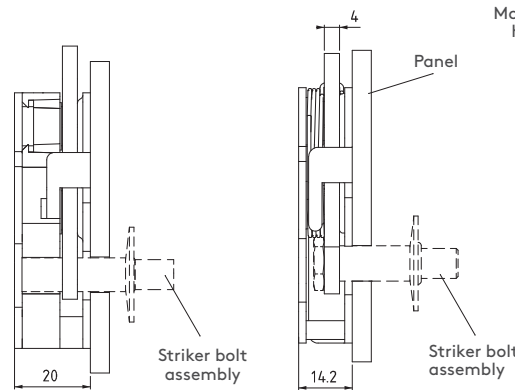
## ROTARY LATCH (MINI)

TOP

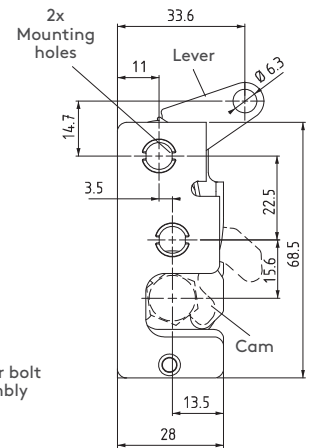


### Bumper Version

Dimensions are same as standard version except as shown



### Standard Version



(Left hand application)

- Six different lever type
- Single or two stage actuation type
- Bumper version for vibrating conditions

**MATERIAL**  
BODY: Steel  
BUMPER: PA6

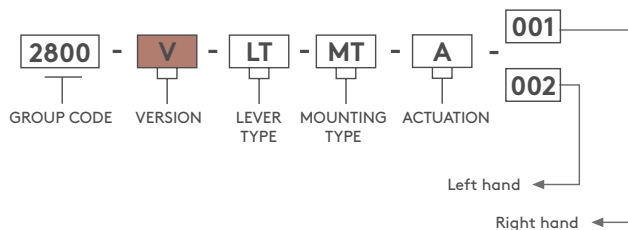
**FINISH**  
Zinc Plated

For striker bolts check page : 153

For cables & accessories check page: 158-159

For latches check page: 192 - 271

### PRODUCT CODE



LEVER TYPE	LT
Bottom	1
Top	2

MOUNTING TYPE	MT
Ø7,2	1
M6	2
1/4"	3

VERSION	V
Standard	1
Bumper	2

ACTUATION	A
Single	1
Two	2



2800

ROTARY LATCH (MINI)

IN LINE



ROTARY LATCH (MINI)

HAND ACTUATION



- Six different lever type
- Single or two stage actuation type
- Bumper version for vibrating conditions

**MATERIAL**  
BODY: Steel  
BUMPER: PA6

**FINISH**  
Zinc Plated

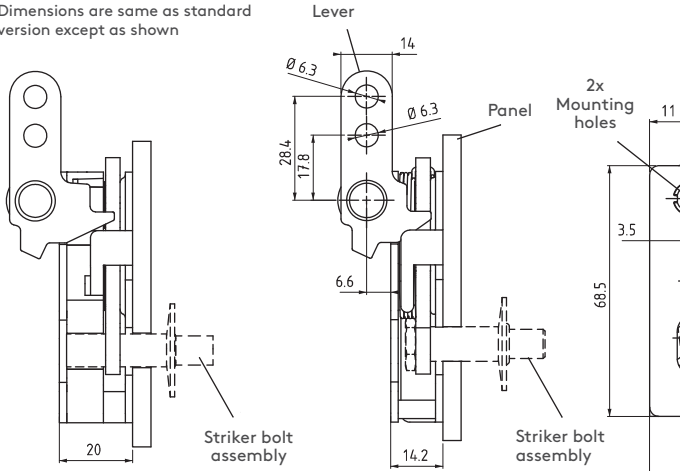
For striker bolts check page : 153

For cables & accessories check page: 158-159

For latches check page: 192 - 271

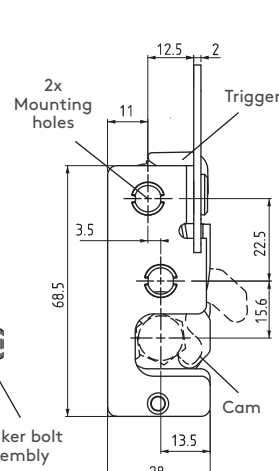
**Bumper Version**

Dimensions are same as standard version except as shown



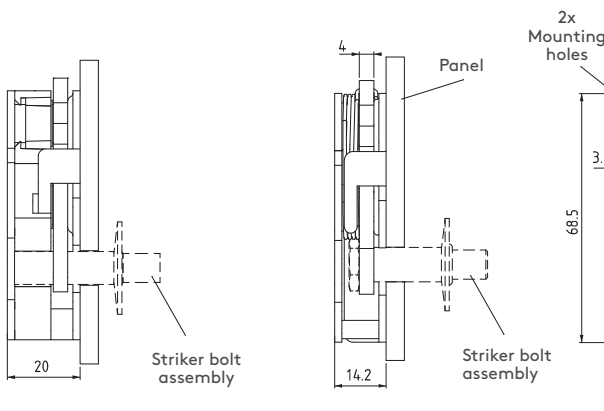
(Left hand application)

**Standard Version**



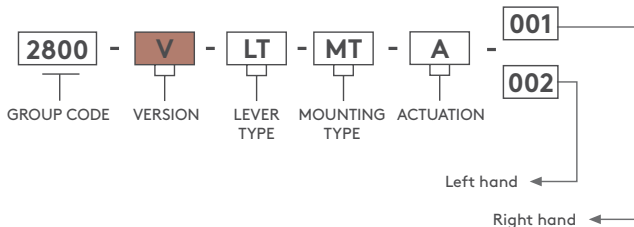
**Bumper Version**

Dimensions are same as standard version except as shown



(Left hand application)

**PRODUCT CODE**



VERSION	V
Standard	1
Bumper	2

LEVER TYPE	LT
In Line	3
Hand Actuation	4

MOUNTING TYPE	MT
Ø7,2	1
M6	2
1/4"	3

ACTUATION	A
Single	1
Two	2



# MISCELLANEOUS PRODUCTS

## ROTARY LATCH (MINI)

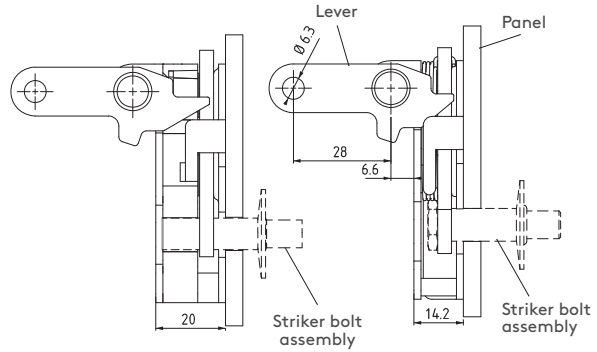
2800

### PERPENDICULAR

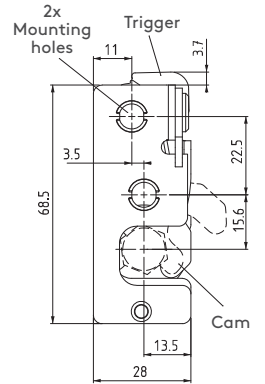


#### Bumper Version

Dimensions are same as standard version except as shown



#### Standard Version



(Left hand application)

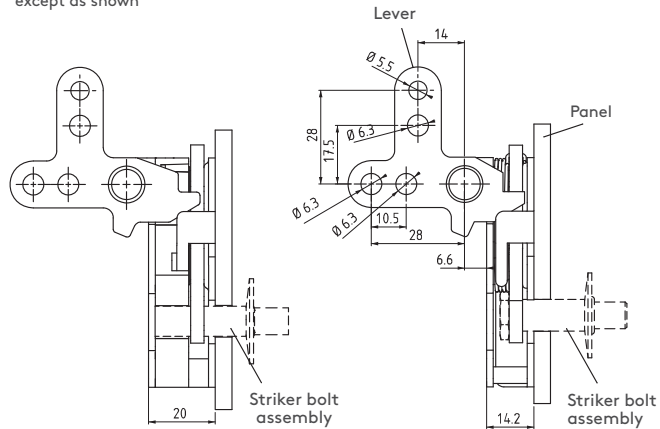
## ROTARY LATCH (MINI)

### TWO POINT

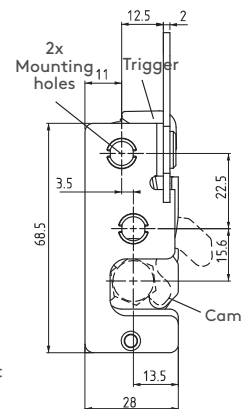


#### Bumper Version

Dimensions same as standard version except as shown



#### Standard Version



(Left hand application)

- Six different lever type
- Single or two stage actuation type
- Bumper version for vibrating conditions

**MATERIAL**  
BODY: Steel  
BUMPER: PA6

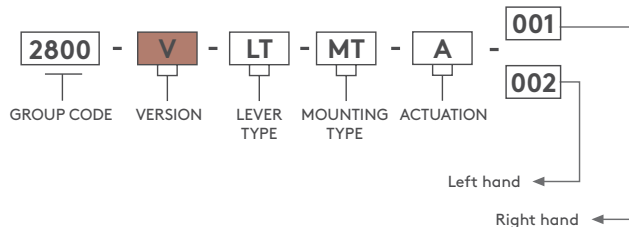
**FINISH**  
Zinc Plated

For striker bolts check page : 153

For cables & accessories check page: 158-159

For latches check page: 192 - 271

### PRODUCT CODE



LEVER TYPE	LT
Perpendicular	5
Two Point	6

MOUNTING TYPE	MT
Ø7,2	1
M6	2
1/4"	3

VERSION	V
Standard	1
Bumper	2

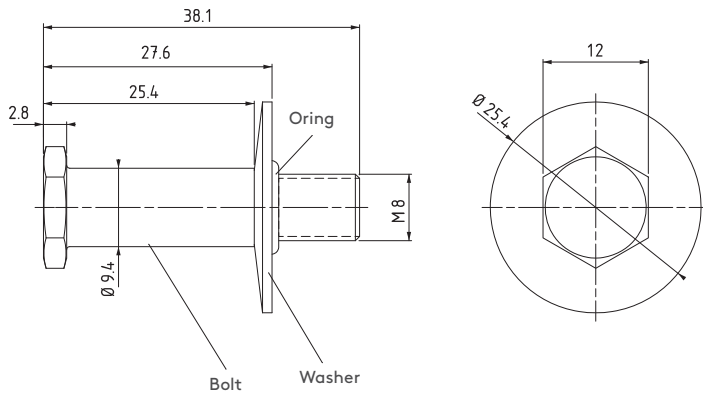
ACTUATION	A
Single	1
Two	2



**SB.1**

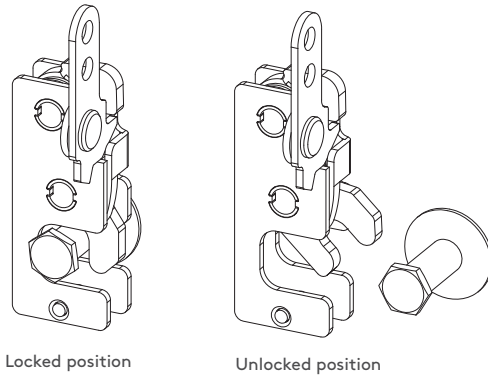
**STRIKER BOLT (MINI)**

Standard Version



**MATERIAL**  
BODY: Steel

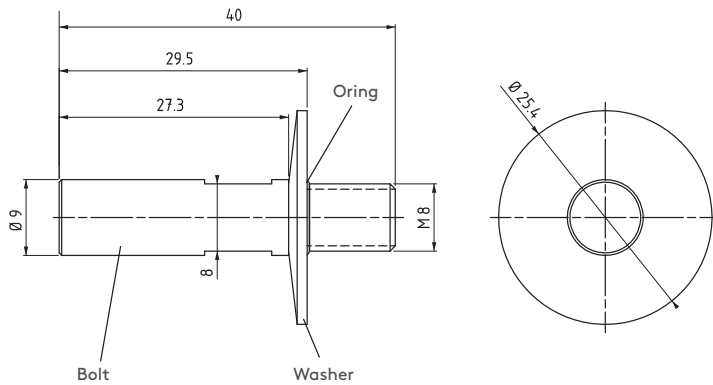
**FINISH**  
Zinc Plated



**SB.2**

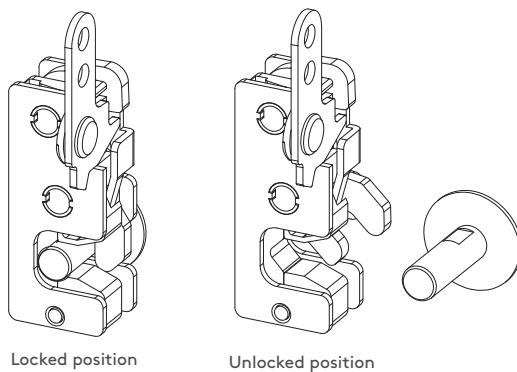
**STRIKER BOLT (MINI)**

Bumper Version



**MATERIAL**  
BODY: Steel

**FINISH**  
Zinc Plated

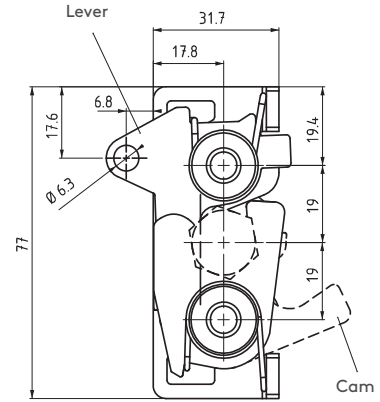
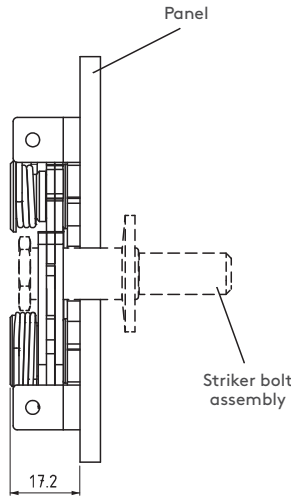


# MISCELLANEOUS PRODUCTS

## ROTARY LATCH (LARGE)

2810

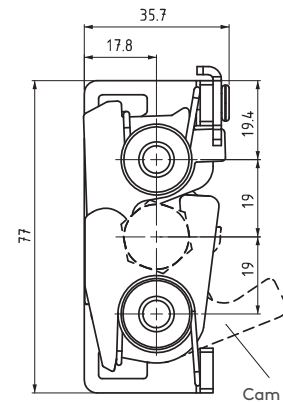
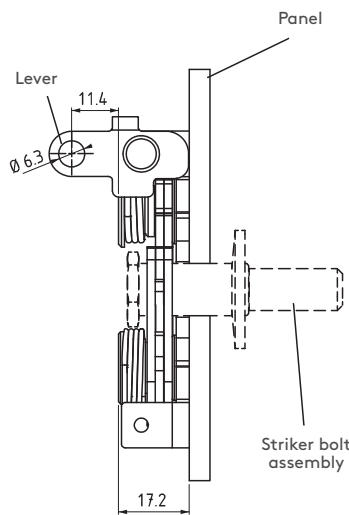
BOTTOM



(Left hand application)

## ROTARY LATCH (LARGE)

PERPENDICULAR



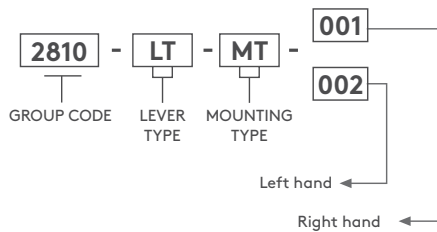
(Left hand application)

- Three different lever type
- Two stage actuation type

**MATERIAL**  
BODY: Steel

**FINISH**  
Zinc Plated

### PRODUCT CODE



LEVER TYPE	LT
Bottom	1
Perpendicular	2
Two Point	3

MOUNTING TYPE	MT
Ø7,2	1
M6	2
1/4"	3

For striker bolts please check page :155

For cables & accessories check page: 158-159

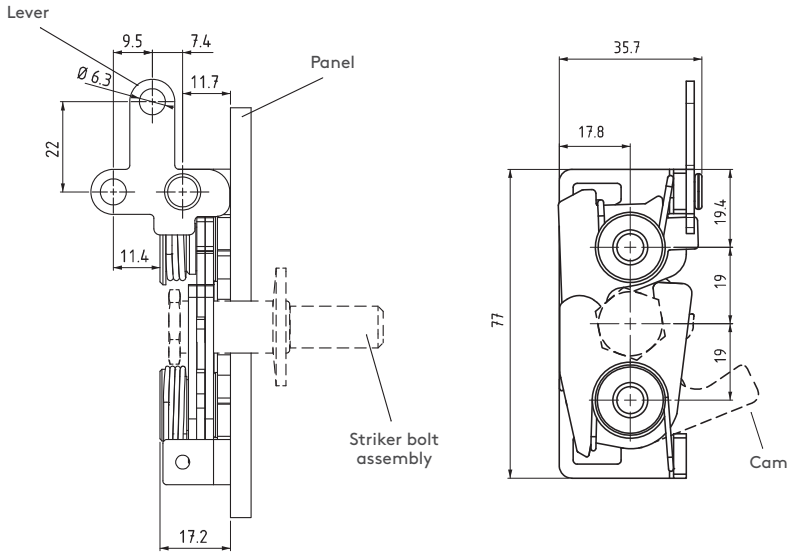
For latches check page: 192 - 271



2810

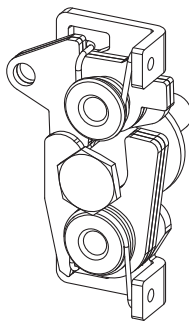
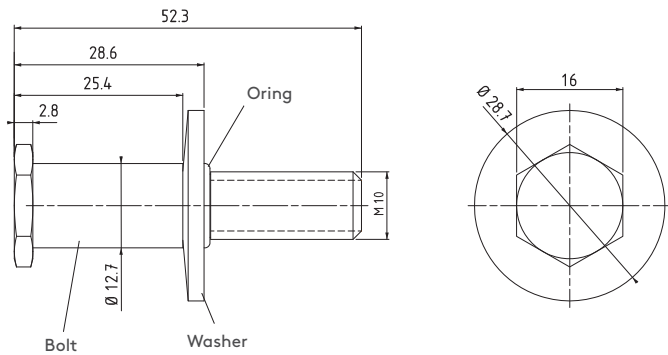
ROTARY LATCH (LARGE)

TWO POINT

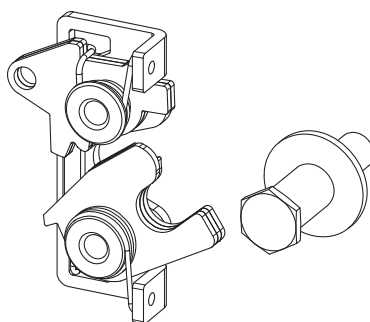


SB.3

STRIKER BOLT (LARGE)



Locked position



Unlocked position

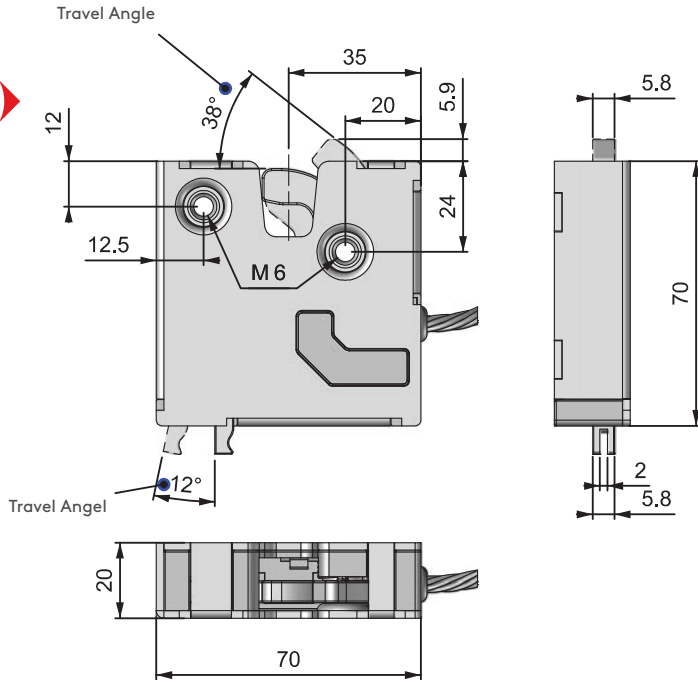
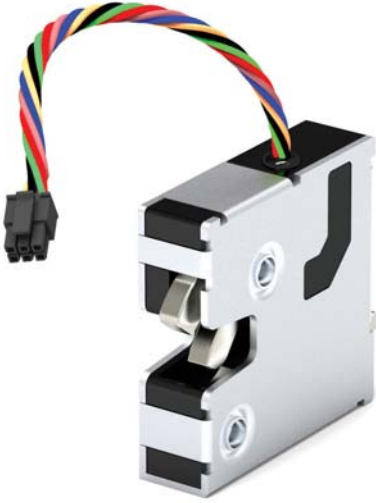
**MATERIAL**  
BODY: Steel

**FINISH**  
Zinc Plated

For cables & accessories check page: 158-159  
For latches check page: 192 - 271

ELECTRONIC ROTARY LATCH

3331



- Push to Close
- Mechanical override
- Stainless steel cam and trigger
- Integrated microswitch for lock status
- Microprocessor controlled gear motor
- Compatible with access control systems

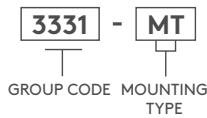
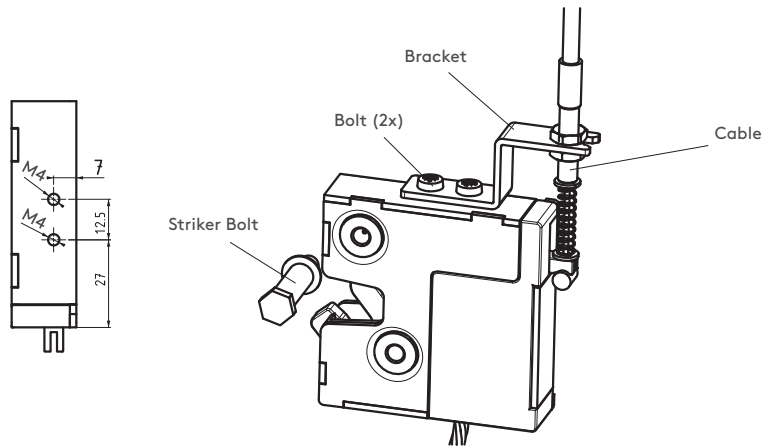
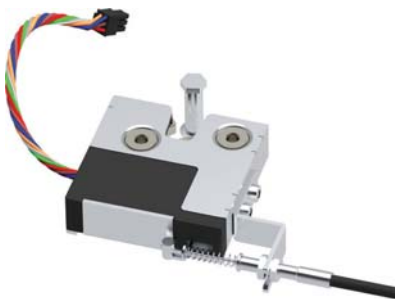
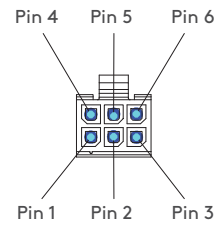
MATERIALS

BODY: Steel and PA6 GFR 30  
CAM: Stainless Steel

TECHNICAL SPECIFICATIONS

Operating Voltage : 9 - 24 Volt  
Cable Length : 150 mm  
Current : Max 500 MA

PIN	COLOR	VALUE
Pin 1	Black	GND
Pin 2	Green	12 Volt DC
Pin 3	Orange	Signal
Pin 4	Red	Microswitch COM
Pin 5	Blue	Microswitch NO
Pin 6	Brown	Microswitch NC

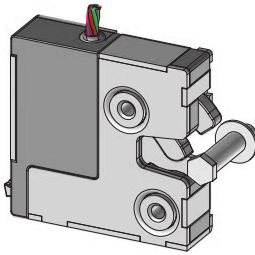
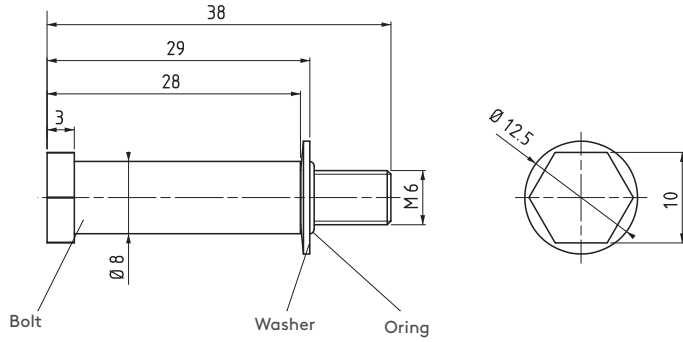


MOUNTING TYPE	MT
Ø7,2	1
M6	2
1/4"	3

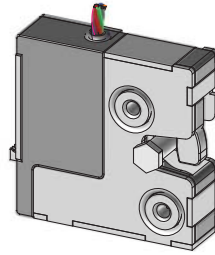


SB.4

STRIKER BOLT



Unlocked position



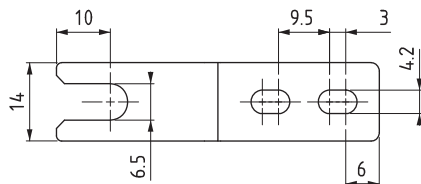
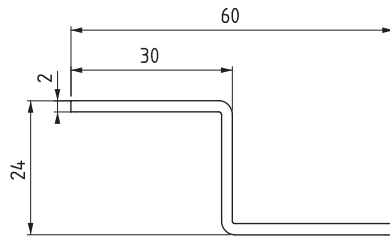
Locked position

**MATERIAL**  
BODY: Steel

**FINISH**  
Zinc Plated

321.03.068

CABLE MOUNTING BRACKET



**MATERIAL**  
BODY: Steel

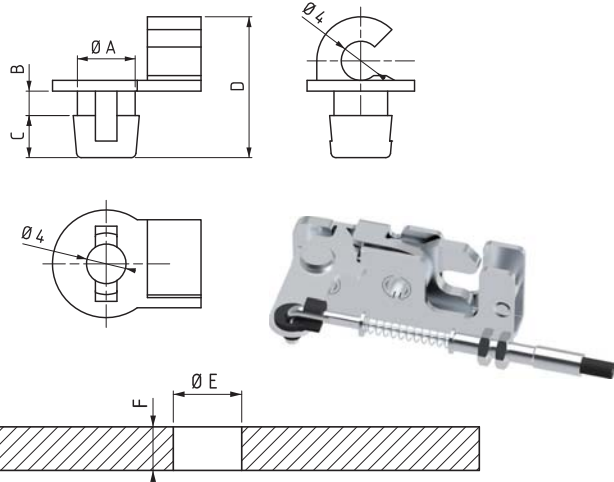
**FINISH**  
Zinc Plated

For cables & accessories check page: 158-159

For latches check page: 192 - 271

**RETAINER CLIP**

(Cable Accessory)

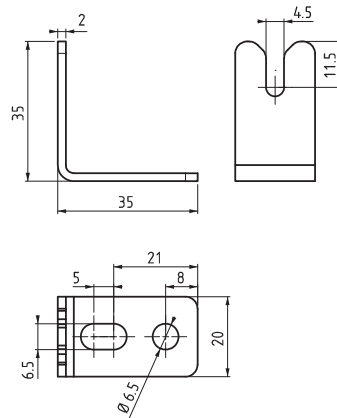


**MATERIAL**  
PA6

A	B	C	D	E	F	TRIGGER LEVER	PRODUCT CODE
5.9	2.5	4.3	14.4	6.3	2	Perpendicular, In line, Two point	<b>320.02.193</b>
5.9	4.5	4.3	16.4	6.3	4	Top, Bottom	<b>320.02.194</b>

**CABLE MOUNTING BRACKET**

(Cable Accessory)

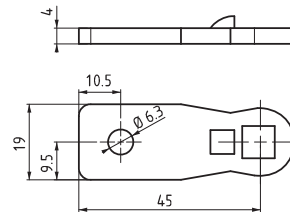


**MATERIAL**  
BODY: Steel

**FINISH**  
Zinc Plated

**PRODUCT CODE**  
**321.03.044**

**ACTUATOR CAM**

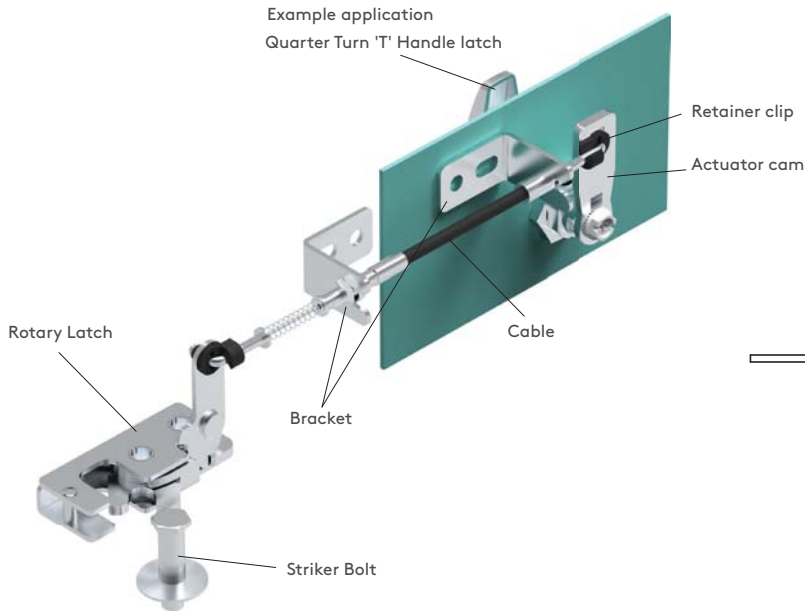


**MATERIAL**  
BODY: Steel

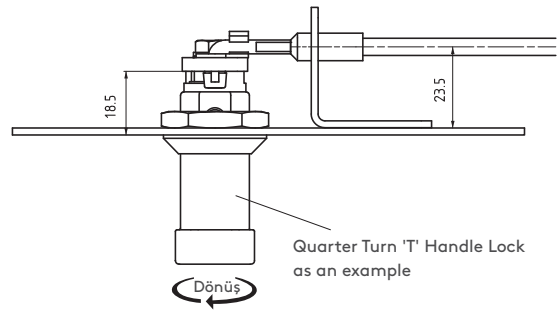
**FINISH**  
Zinc Plated

PRODUCT	CC	CH	CL
<b>30403779</b>	98	0	45

For any actuator cam please contact to sales team



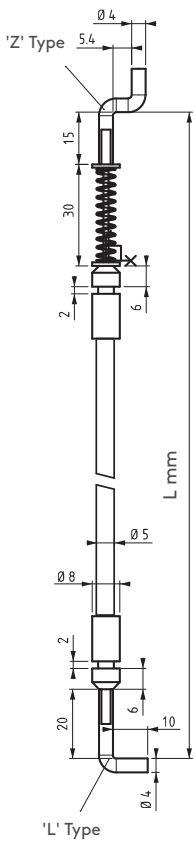
EXAMPLE APPLICATION



Quarter Turn 'T' Handle Lock as an example

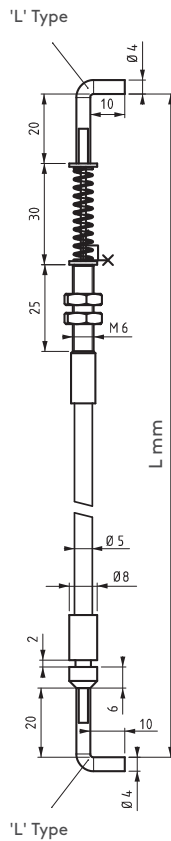
For different type of actuators please contact to Essentra

V : 1



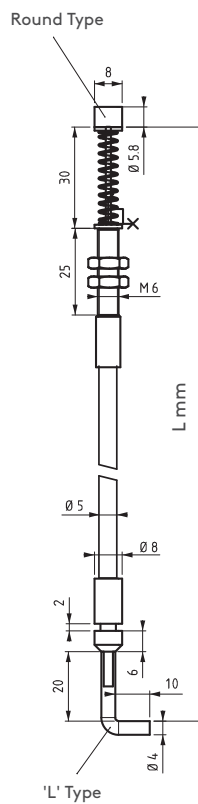
Suitable for Rotary Latch Mini and Large applications without Retainer Clip

V : 2



Suitable for Rotary Latch Mini and Large applications with Retainer Clip

V : 3



Only for Electronic Rotary Latch

2801

CABLES

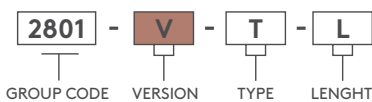


MATERIAL BODY: Steel

FINISH Zinc Plated

Note: Cable diameter is 1.5 mm

PRODUCT CODE



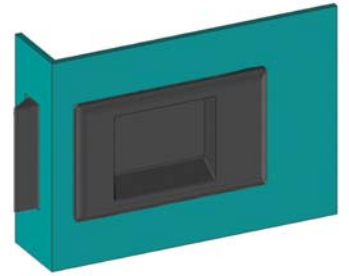
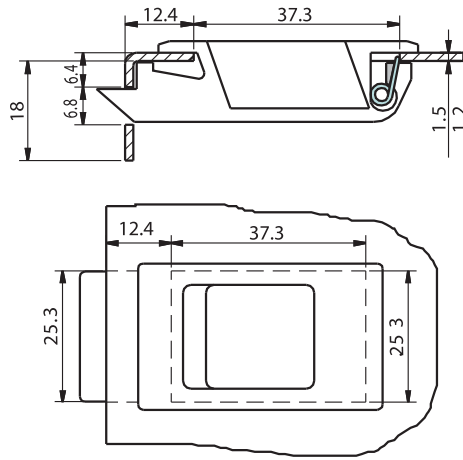
TYPE	T	LENGHT (L)
With spring	1	1000 mm
Without spring	0	1500 mm
		2000 mm



## MISCELLANEOUS PRODUCTS

### SLIDING LATCH

071



- Easy fixing
- Long-lasting stainless steel spring
- Suitable for panel thicknesses of between 0.8 mm and 1.5 mm

#### MATERIAL

BODY: ABS  
SPRING: Stainless Steel

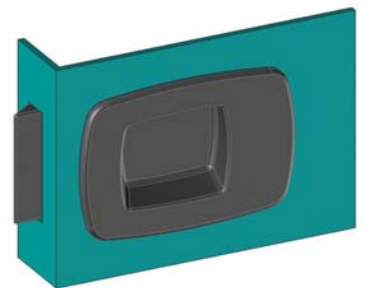
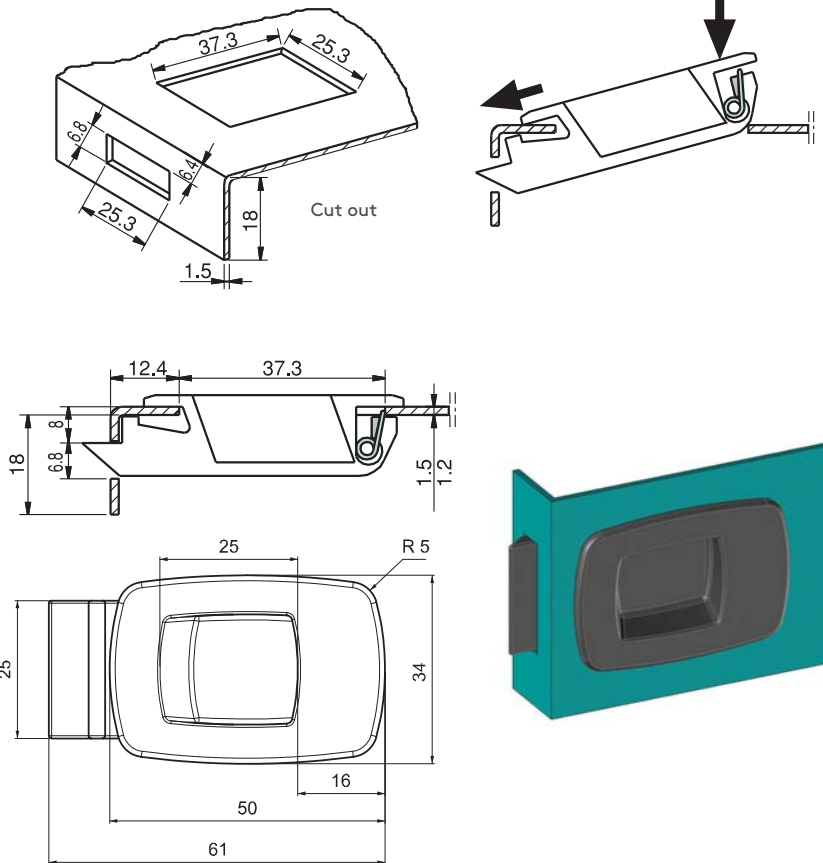
#### SPECIFICATIONS

#### PRODUCT CODE

SPECIFICATIONS	PRODUCT CODE
0.8 -1.2 mm thickness panel	071.12
1.2 -1.5 mm thickness panel	071.15

### SLIDING LATCH

371



- Stylish design
- Easy fixing
- Long-lasting spring
- Suitable for panel thicknesses of between 0.8 mm and 1.5 mm
- Suitable for small doors
- For different color choices please contact Essentra

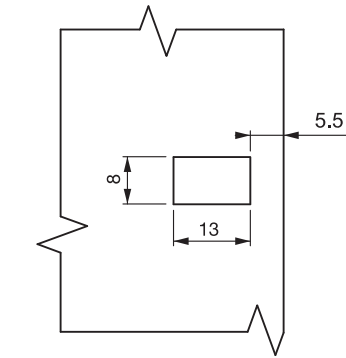
#### MATERIAL

BODY: ABS  
SPRING: Stainless Steel

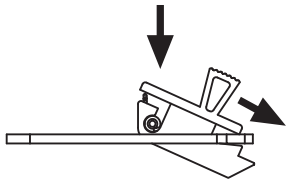
#### SPECIFICATIONS

#### PRODUCT CODE

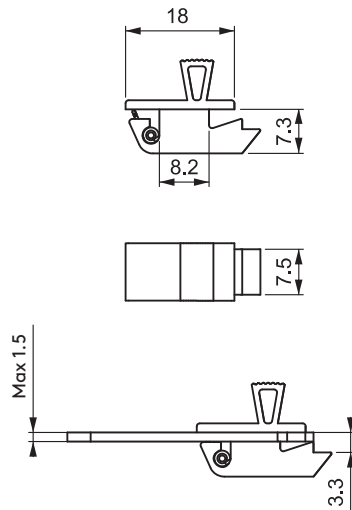
SPECIFICATIONS	PRODUCT CODE
0.8 -1.2 mm thickness panel	371.12
1.2 -1.5 mm thickness panel	371.15



Cut out



DOOR THICKNESS	
Min	Max
0.8mm	1.5mm



171

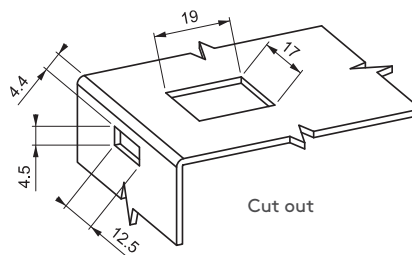
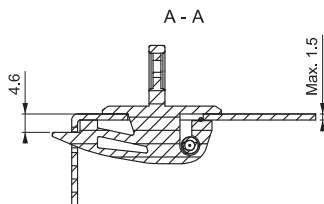
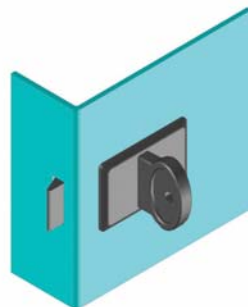
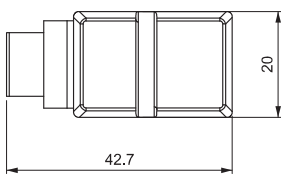
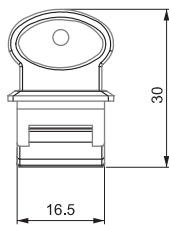
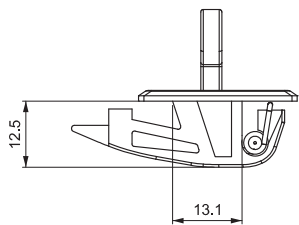
MINI SLIDING LATCH



- Suitable for small doors and inside panels
- Suitable for panel thicknesses of between 0.8 mm and 1.5 mm

**MATERIAL**

BODY: ABS  
SPRING: Stainless Steel



Cut out

471

MINI SLIDING LATCH



- Suitable for small doors and inside panels
- Suitable for panel thicknesses of between 0.8 mm and 1.5 mm

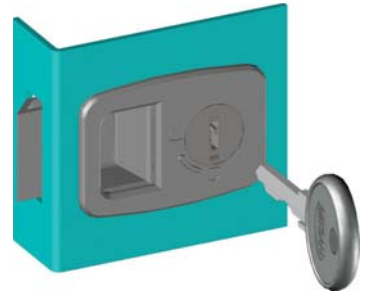
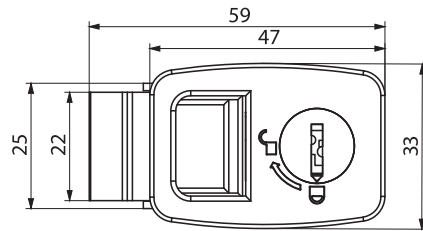
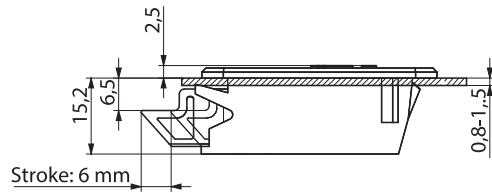
**MATERIAL**

BODY: ABS  
SPRING: Stainless Steel

# MISCELLANEOUS PRODUCTS

## SLIDING LATCH

671




- Cylinder Locking System
- Eliminates the risk of scratch on paint thanks to the 2 part design.
- Suitable for small size doors
- Easy assembly by clips
- Suitable for panel thicknesses of 0.8 - 1.5 mm

### MATERIAL

BODY: ABS  
 SPRING: Stainless steel  
 CYLINDER: PA6 GFR 30

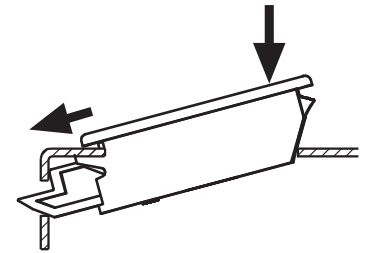
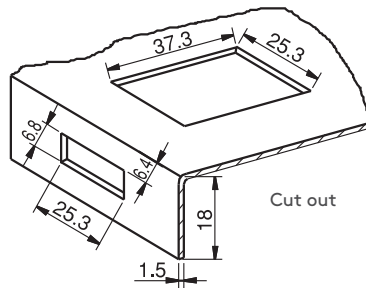
### PRODUCT CODE

671 - DD  
GROUP CODE      CYLINDER

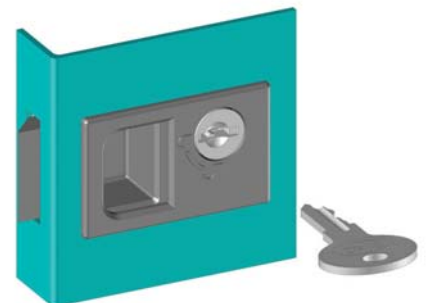
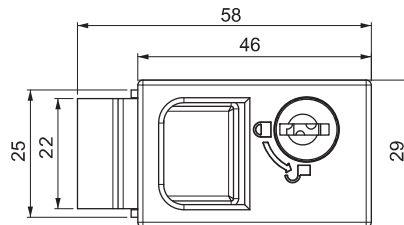
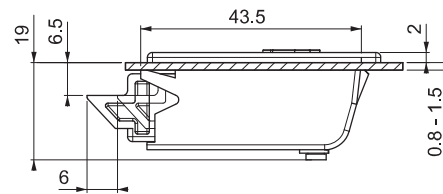
CYLINDER		DD
	Keyed alike	01
	Euro Key (5333)	05

## SLIDING LATCH

571



Follow the arrows for assembly instructions; lock & unlock with moving parts




- Cylinder Locking System
- Eliminates the risk of scratch on paint thanks to the 2 part design.
- Suitable for small size doors
- Easy assembly by clips
- Suitable for panel thicknesses of 0.8 - 1.5 mm

### MATERIAL

BODY: ABS  
 SPRING: Stainless steel  
 CYLINDER: Zinc Alloy DIN-EN 1774-ZnAl4Cu1

### PRODUCT CODE

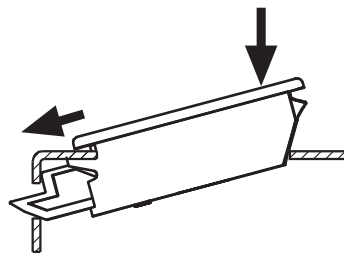
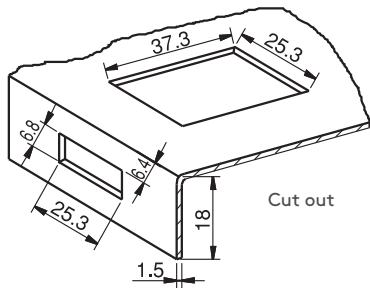
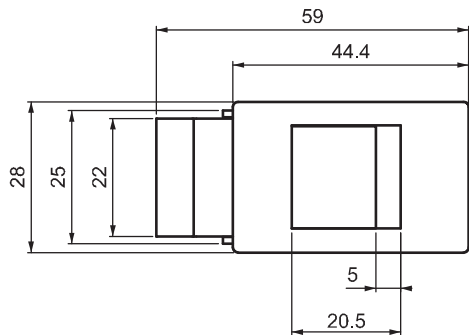
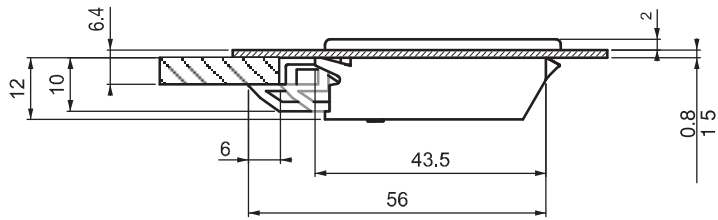
571 - DD  
GROUP CODE      CYLINDER

CYLINDER		DD
	Stainless steel dust cap (Keyed alike)	03

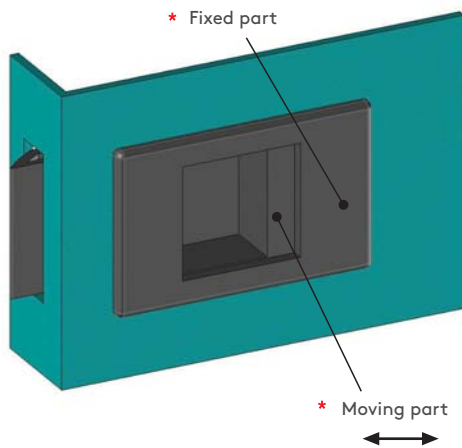


271

SLIDING LATCH



Follow the arrows for assembly instructions; lock & unlock with moving parts



- Two-piece design eliminates paint problems on doors
- Suitable for small doors
- Easy assembly with clips on body
- Suitable for panel thicknesses of between 0.8 mm and 1.5 mm

**MATERIAL**

BODY: ABS  
 SPRING: Stainless Steel

# MISCELLANEOUS PRODUCTS

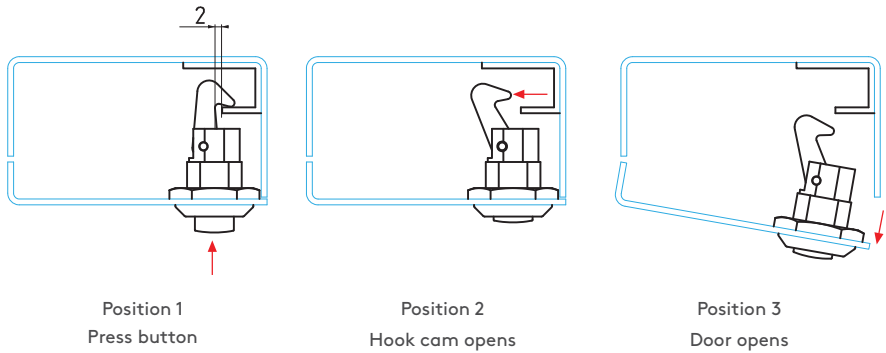
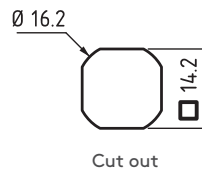
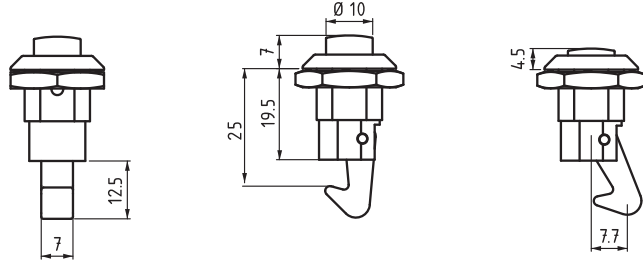
## MINI LATCH

466

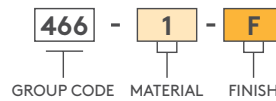


- Easily opened by pressing button
- Suitable for small doors

**MATERIAL**  
 HOUSING: Zinc Alloy DIN-EN 1774-ZnAl4Cu1  
 BUTTON: Zinc Alloy DIN-EN 1774-ZnAl4Cu1  
 CAM: Zinc Alloy DIN-EN 1774-ZnAl4Cu1



### PRODUCT CODE

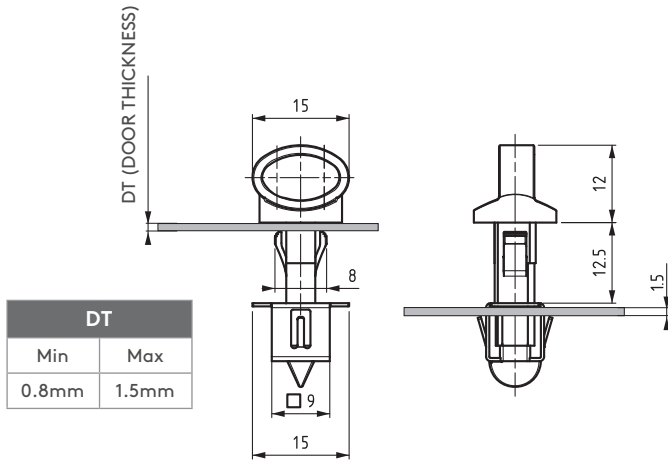


MATERIAL	F	FINISH	F
Zinc Alloy	1	Chrome	1
		Black coated	2

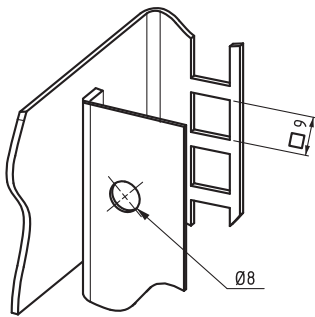
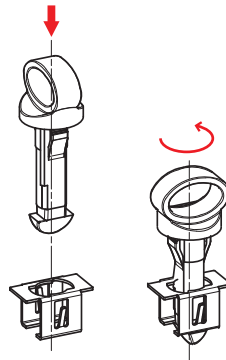
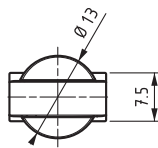


183

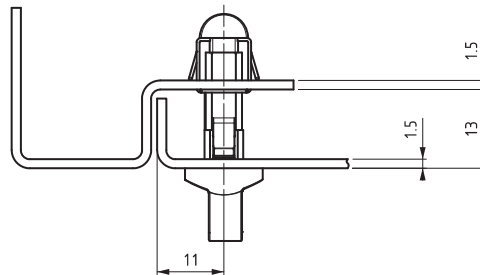
QUARTER-TURN LATCH



DT	
Min	Max
0.8mm	1.5mm



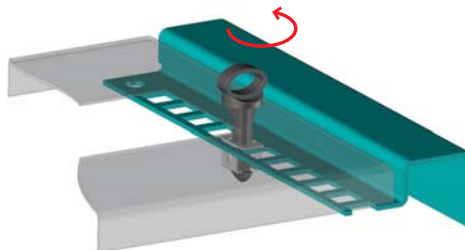
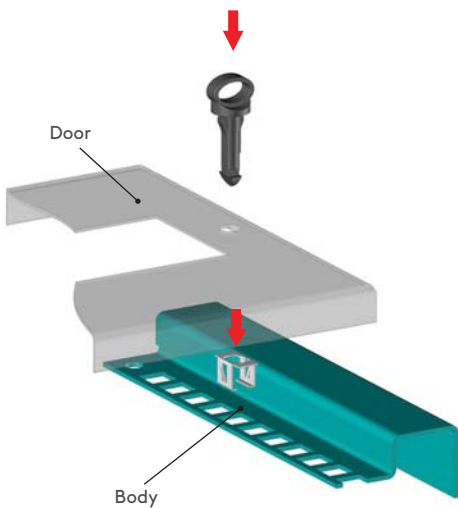
Cut out



- Fix small panels to frame with ease
- Quarter-turn locking
- Easy assembly
- For doors with a bend of 24 mm

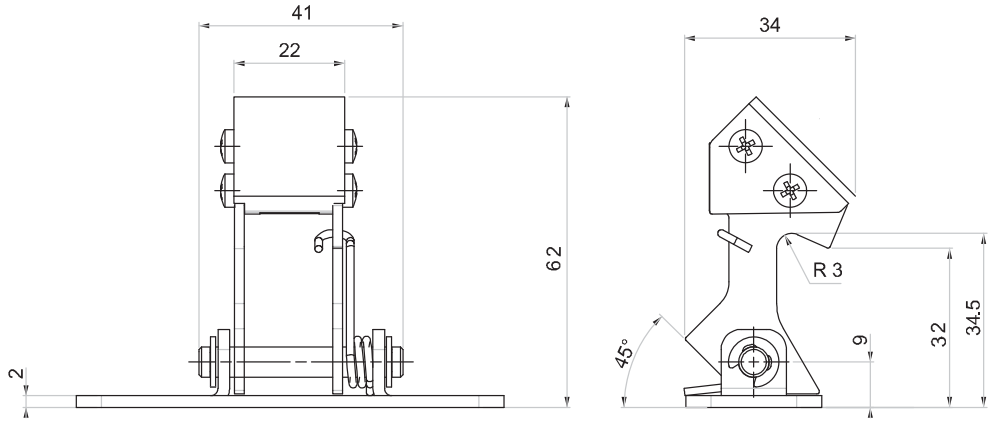
**MATERIAL**

HANDLE: ABS  
FRAME PART: Steel



HOOKED LATCH

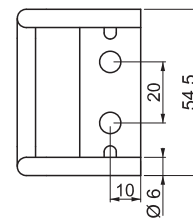
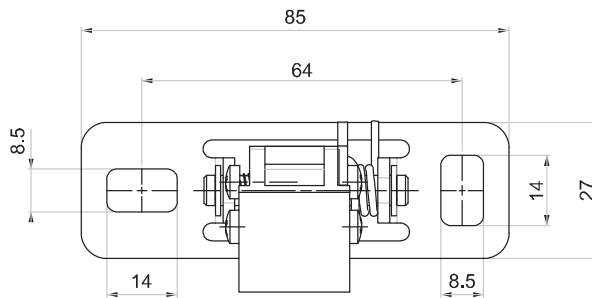
176



- Used for locking back doors of generators without external latch
- Can open from inside by moving cam

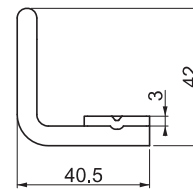
**MATERIAL**  
Steel or stainless steel

**Note:** Special square-base screws are included



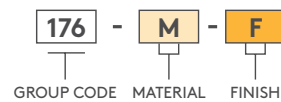
CAM STRIKING PLATE

016 A71



- Striking plate.
- Custom sizes available

PRODUCT CODE



MATERIAL		F	FINISH		F
Steel		6	Chrome		1
Stainless steel		4	No finish		0





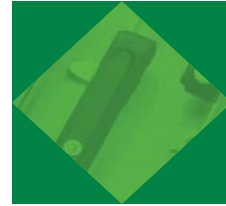


# LOCKS



## CAMS, KEYS, RODS & ROD GUIDES

GROUP CODE	PRODUCT NAME
	CAMS WITH STOPPER
	CAMS WITHOUT STOPPER
	STAINLESS STEEL CAMS
	ADDITIONAL CAMS
	SLIDE SHOE FOR CAM
	HOOK CAMS
	ACTUATOR PLATES
	ROUND ROD ACCESSORIES
	FLAT ROD ACCESSORIES
	ROD CORNER CONTROL (RCC)
	ROUND RODS
	FLAT RODS
	KEYS



**PAGE**

170 - 171

172 - 173

174

175

176

176

177

180

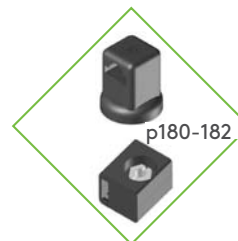
181 - 182

183

184, 185

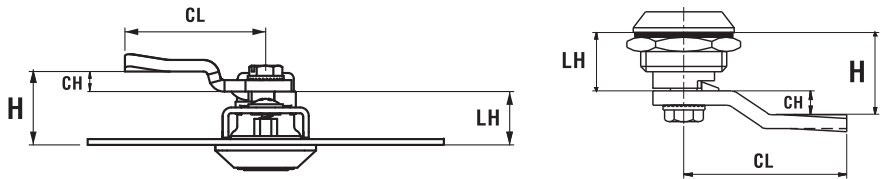
186, 187, 188

189 - 191



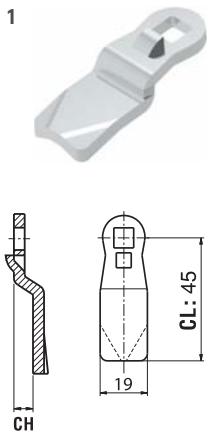
**CAMS WITH STOPPERS**

H: Grip  
 LH: Height of housing  
 CL: Cam length  
 CH: Cam height



MATERIAL: Steel  
 FINISH: Zinc plated  
 THICKNESS: 4 mm

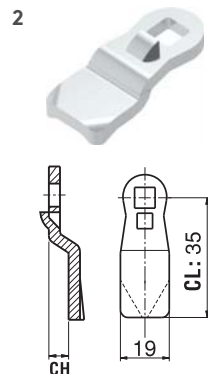
**Cam 1**



STOCK CODE	CC	CH	CL	LH:18 H	LH:18.5 H	LH:20 H	LH:21 H	LH:30 H	LH:32 H	LH:35 H	LH:40 H	LH:50 H	LH:60 H
30403033	30	0	45	18	18.5	20	21	30	32	35	40	50	60
30403439	17	1	45	19	19.5	21	22	31	33	36	41	51	61
30403159	35	2	45	20	20.5	22	23	32	34	37	42	52	62
30403063	31	3	45	21	21.5	23	24	33	35	38	43	53	63
30403149	33	4	45	22	22.5	24	25	34	37	39	44	54	64
30403160	34	6	45	24	24.5	26	27	36	38	41	46	56	66
30403161	36	8	45	26	26.5	28	29	38	40	43	48	58	68
30403162	47	10	45	28	28.5	30	31	40	42	45	50	60	70
30403045	44	12	45	30	30.5	32	33	42	44	47	52	62	72
30403163	48	14	45	32	32.5	34	35	44	46	49	54	64	74
30403151	49	16	45	34	34.5	36	37	46	48	51	56	66	76
30403165	55	18	45	36	36.5	38	39	48	50	53	58	68	78
30403166	56	20	45	38	38.5	40	41	50	52	55	60	70	80
30403167	57	22	45	40	40.5	42	43	52	54	57	62	72	82
30403168	58	24	45	42	42.5	44	45	54	56	59	64	74	84
30403169	37	-2	45	16	16.5	18	19	28	30	33	38	48	58
30403170	38	-4	45	14	14.5	16	17	26	28	31	36	46	56
30403171	39	-6	45	12	12.5	14	15	24	26	29	34	44	54
30403172	59	-8	45	10	10.5	12	13	22	24	27	32	42	52
30403173	60	-10	45	8	8.5	10	11	20	22	25	30	40	50
30403174	61	-12	45	6	6.5	8	9	18	20	23	28	38	48
30403175	62	-14	45	4	4.5	6	7	16	18	21	26	36	46

MATERIAL: Steel  
 FINISH: Zinc plated  
 THICKNESS: 4 mm

**Cam 2**

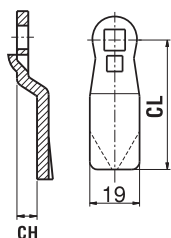


STOCK CODE	CC	CH	CL	LH:18 H	LH:18.5 H	LH:20 H	LH:21 H	LH:30 H	LH:32 H	LH:35 H	LH:40 H	LH:50 H	LH:60 H
30403187	11	-2	35	16	16.5	18	19	28	30	33	38	48	58
30403185	12	0	35	18	18.5	20	21	30	32	35	40	50	60
30403186	13	2	35	20	20.5	22	23	32	34	37	42	52	62
30403188	14	4	35	22	22.5	24	25	34	36	39	44	54	64
30403470	15	6	35	24	24.5	26	27	36	38	41	46	56	66
30403471	16	7	35	25	25.5	27	28	37	39	42	47	57	67
30403189	23	10	35	28	28.5	30	31	40	42	45	50	60	70
30403046	52	26	35	44	44.5	46	47	56	58	61	66	76	86

## CAMS WITH STOPPERS

MATERIAL: Steel  
FINISH: Zinc plated  
THICKNESS: 4 mm

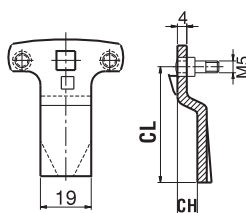
Cam 3



STOCK CODE	CC	CH	CL	LH:18 H	LH:18.5 H	LH:20 H	LH:30 H	LH:32 H	LH:35 H	LH:40 H	LH:50 H	LH:60 H
30403031	10	0	29	18	18.5	20	30	32	35	40	50	60
30403032	20	0	38	18	18.5	20	30	32	35	40	50	60
30403036	70	0	66	18	18.5	20	30	32	35	40	50	60
30403034	40	0	51	18	18.5	20	30	32	35	40	50	60
30403037	21	3	38	21	21.5	23	33	35	38	43	53	63
30403038	41	3	51	21	21.5	23	33	35	38	43	53	63
30403129	22	6	37	24	24.5	26	36	38	41	46	56	66
30403039	32	7	44	25	25.5	27	37	39	42	47	57	67
30403040	42	7	49	25	25.5	27	37	39	42	47	57	67
30403043	43	10	48	28	28.5	30	40	42	45	50	60	70

MATERIAL: Steel  
FINISH: Zinc plated  
THICKNESS: 4 mm

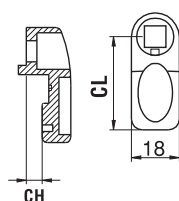
Cam 4



STOCK CODE	CC	CH	CL	LH:18 H	LH:18.5 H	LH:20 H	LH:30 H	LH:32 H	LH:35 H	LH:40 H	LH:50 H	LH:60 H
30403140	03	0	51	18	18.5	20	30	32	35	40	50	60
30403522	06	0	45	18	18.5	20	30	32	35	40	50	60
30403047	01	7	49	25	25.5	27	37	39	42	47	57	67
30403524	07	2	45	20	20.5	22	32	34	37	42	52	62
30403526	08	3	45	21	21.5	23	33	35	38	43	53	63
30403528	09	4	45	22	22.5	24	34	36	39	44	54	64
30403530	100	5	45	23	23.5	25	35	37	40	45	55	65
30403532	101	6	45	24	24.5	26	36	38	41	46	56	66
30403534	102	7	45	25	25.5	27	37	39	42	47	57	67
30403147	02	12	46	30	30.5	32	42	44	47	52	62	72
30403536	103	14	45	32	32.5	34	44	46	49	54	64	74

MATERIAL: Plastic

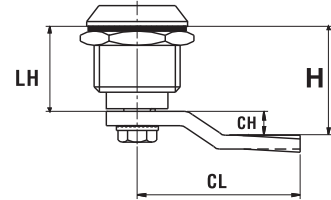
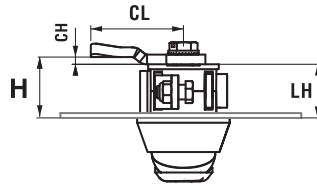
Cam 5



STOCK CODE	CC	CH	CL	LH:18 H	LH:18.5 H	LH:20 H	LH:30 H	LH:35 H	LH:40 H	LH:50 H	LH:60 H
30402004	90	0	35	18	18.5	20	30	35	40	50	60
30402011	93	0	25	18	18.5	20	30	35	40	50	60
30402005	91	6	35	24	24.5	26	36	41	46	56	66
30402008	92	4	45	22	22.5	24	34	39	44	54	64
30402013	94	-4	45	14	14.5	16	26	31	36	46	56

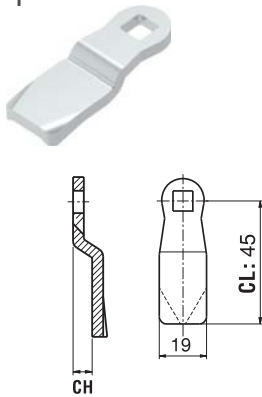
**CAMS WITHOUT STOPPERS**

H: Grip  
 LH: Height of housing  
 CL: Cam length  
 CH: Cam height



MATERIAL: Steel  
 FINISH: Zinc plated  
 THICKNESS: 4 mm

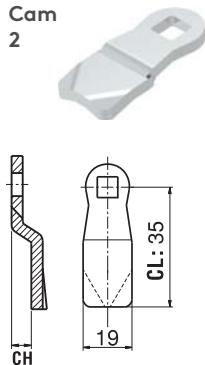
**Cam 1**



STOCK CODE	CC	CH	CL	LH:14 H	LH:18.5 H	LH:19 H	LH : 20 H	LH : 22 H	LH : 25 H	LH : 32 H
30403117	30	0	45	14	18.5	19	20	22	25	32
30403557	17	1	45	15	19.5	20	21	23	26	33
30403581	35	2	45	16	20.5	21	22	24	27	34
30403054	31	3	45	17	21.5	22	23	25	28	35
30403197	33	4	45	18	22.5	23	24	26	29	36
30403128	34	6	45	20	24.5	25	26	28	31	38
30403583	36	8	45	22	26.5	27	28	30	33	40
30403584	47	10	45	24	28.5	29	30	32	35	42
30403123	44	12	45	26	30.5	31	32	34	37	44
30403422	48	14	45	28	32.5	33	34	36	39	46
30403410	49	16	45	30	34.5	35	36	38	41	48
30403429	55	18	45	32	36.5	37	38	40	43	50
30403585	56	20	45	34	38.5	39	40	42	45	52
30403586	57	22	45	36	40.5	41	42	44	47	54
30403411	58	24	45	38	42.5	43	44	46	49	56
30403425	37	- 2	45	12	16.5	17	18	20	23	30
30403198	38	- 4	45	10	14.5	15	16	18	21	28
30403423	39	- 6	45	8	12.5	13	14	16	19	26
30403412	59	- 8	45	6	10.5	11	12	14	17	24
30403552	60	- 10	45	4	8.5	9	10	12	15	22
30403587	61	- 12	45	2	6.5	7	8	10	13	20
30403420	62	- 14	45	0	4.5	5	6	8	11	18

MATERIAL: Steel  
 FINISH: Zinc plated  
 THICKNESS: 4 mm

**Cam 2**

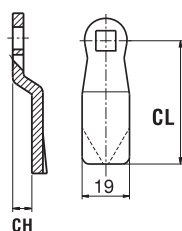


STOCK CODE	CC	CH	CL	LH:14 H	LH:18.5 H	LH : 19 H	LH : 20 H	LH : 22 H	LH : 25 H	LH : 32 H
30403069	11	-2	35	12	16.5	18	18	20	23	30
30403444	12	0	35	14	18.5	20	20	22	25	32
30403519	13	2	35	16	20.5	22	22	24	27	34
30403588	14	4	35	18	22.5	24	24	26	29	36
30403477	15	6	35	20	24.5	26	26	28	31	38
30403589	16	7	35	21	25.5	27	27	29	32	39
30403407	23	10	35	24	28.5	30	30	32	35	42
30403075	52	26	35	40	44.5	46	36	48	51	58

## CAMS WITHOUT STOPPERS

MATERIAL: Steel  
FINISH: Zinc plated  
THICKNESS: 4 mm

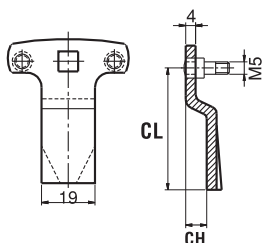
Cam 3



STOCK CODE	CC	CH	CL	LH:14 H	LH:18.5 H	LH:19 H	LH : 20 H	LH : 22 H	LH : 25 H	LH : 32 H
30403006	10	0	29	14	18.5	19	20	22	25	32
30403130	20	0	38	14	18.5	19	20	22	25	32
30403117	30	0	45	14	18.5	19	20	22	25	32
30403003	40	0	51	14	18.5	19	20	22	25	32
30403005	70	0	66	14	18.5	19	20	22	25	32
30403064	21	3	38	17	21.5	22	23	25	28	35
30403054	31	3	45	17	21.5	22	23	25	28	35
30403141	41	3	51	17	21.5	22	23	25	28	35
30403138	22	6	37	20	24.5	25	26	28	31	38
30403128	34	6	45	20	24.5	25	26	28	31	38
30403073	32	7	44	21	25.5	26	27	29	32	39
30403002	42	7	49	21	25.5	26	27	29	32	39
30403004	43	10	48	24	28.5	29	30	32	35	42
30403123	44	12	45	26	30.5	31	32	34	37	44

MATERIAL: Steel  
FINISH: Zinc plated  
THICKNESS: 4 mm

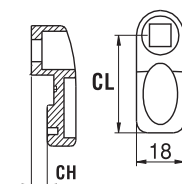
Cam 4



STOCK CODE	CC	CH	CL	LH:18.5 H
30403135	03	0	51	18.5
30403523	06	0	45	18.5
30403001	01	7	49	25.5
30403525	07	2	45	20.5
30403527	08	3	45	21.5
30403529	09	4	45	22.5
30403531	100	5	45	23.5
30403533	101	6	45	24.5
30403535	102	7	45	25.5
30403068	02	12	46	30.5
30403537	103	14	45	32.5

MATERIAL: Plastic

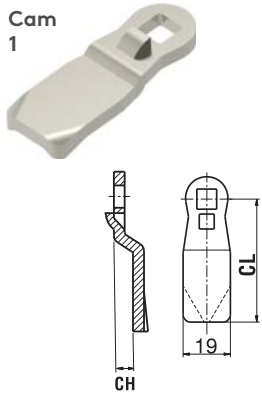
Cam 5



STOCK CODE	CC	CH	CL	LH:18.5 H	LH: 20 H	LH: 25 H
30402002	90	0	35	18.5	20	25
30402010	93	0	25	18.5	20	25
30402007	92	4	45	22.5	24	29
30402003	91	6	35	24.5	26	31
30402014	94	-4	45	14.5	16	21

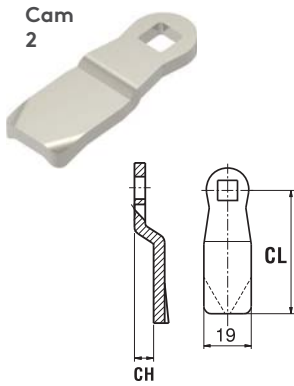
**STAINLESS STEEL CAMS**

**WITH STOPPER**



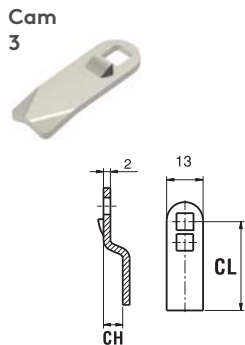
STOCK CODE	CC	CH	CL	LH:18 H	LH:18.5 H	LH:20 H	LH:22 H	LH:30 H	LH:32 H	LH:40 H	LH:50 H	LH:60 H
30405004	30	0	45	18	18.5	20	22	30	32	40	50	60
30405003	40	0	51	18	18.5	20	22	30	32	40	50	60
30405159	35	2	45	20	20.5	22	24	32	34	42	52	62
30405063	31	3	45	21	21.5	23	25	33	35	43	53	63
30405149	33	4	45	22	22.5	24	26	34	36	44	54	64
30405160	34	6	45	24	24.5	26	28	36	38	46	56	66
30405040	42	7	49	25	25.5	27	29	37	39	47	57	67
30405006	36	8	45	26	26.5	28	30	38	41	48	58	68
30405162	47	10	45	28	28.5	30	32	40	42	50	60	70
30405045	44	12	45	30	30.5	32	34	42	44	52	62	72

**WITHOUT STOPPER**



STOCK CODE	CC	CH	CL	LH:18.5 H	LH:20 H	LH:22 H	LH:25 H	LH:32 H
30405117	30	0	45	18.5	20	22	25	32
30405058	40	0	51	18.5	20	22	25	32
30405012	35	2	45	20.5	22	24	27	34
30405013	31	3	45	21.5	23	25	28	35
30405015	34	4	45	22.5	24	26	29	36
30405002	42	7	49	25.5	27	29	32	39
30405016	36	8	45	26.5	28	30	33	40
30405017	47	10	45	28.5	30	32	35	42
30405018	44	12	45	30.5	32	34	37	44

**WITH STOPPER**



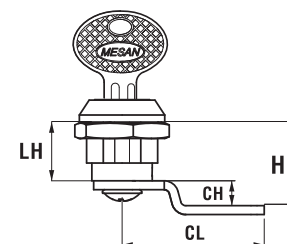
STOCK CODE	CC	CH	CL	LH:13.5 H
30405084	10	0	33	13.5
30405085	11	7	30	20.5
30405184	20	0	25	13.5
30405196	22	-6	25	7.5

## ADDITIONAL CAMS

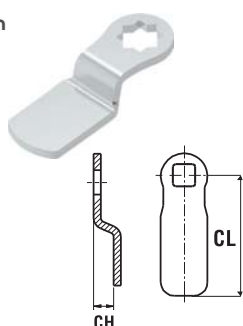
### LOCKS

H: Grip  
LH: Height of housing  
CL: Cam length  
CH: Cam height

GROUP CODE	050	150	250	072	066	166	366	566	057	055	165
LH	16.5 20 25 30	20	20	29	13.5	13.5	13.5	13.5	13.5	20 32	16
CAM	1-2	1	1	1	3	3	3	3	4	1	3

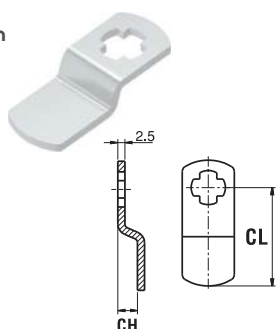


Cam 1

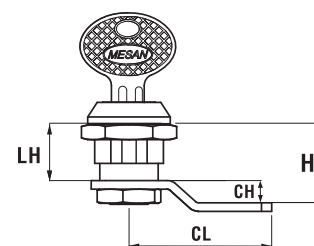


STOCK CODE	CC	CH	CL	LH:16.5 H	LH:20 H	LH:25 H	LH:29 H	LH:30 H	LH:32 H
30403124	50	0	43	16.5	20	25	29	30	32
31403010	56	0	23	16.5	20	25	29	30	32
31403011	30	0	33	16.5	20	25	29	30	32
30403157	57	3	48	19.5	23	28	32	33	35
30403125	51	7	40	23.5	27	32	36	37	39
30403110	52	10	37	26.5	30	35	39	40	42
30403111	53	14	33	30.5	34	39	43	44	46

Cam 2

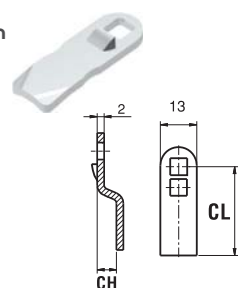


STOCK CODE	CC	CH	CL	LH:16.5 H
30403014	10	0	38	16.5
30403100	30	0	33	16.5
30403019	20	0	49	16.5
30403082	11	3	38	19.5
30403015	12	7	36	23.5
30403016	21	7	47	23.5
30403017	22	10	44	26.5
30403022	13	0	39	16.5

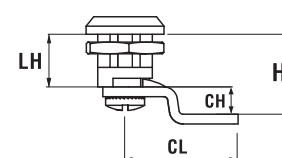


Hook cam (CC: 13)

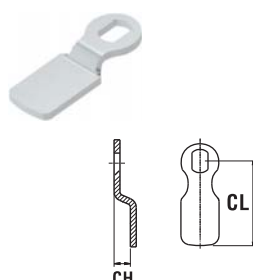
Cam 3



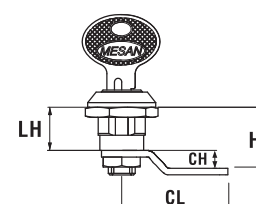
STOCK CODE	CC	CH	CL	LH:13.5 H	LH:16 H
30403084	10	0	33	13.5	16
30403184	20	0	25	13.5	16
30403183	21	6	25	19.5	22
30403085	11	7	30	20.5	23
30403196	22	-6	25	7.5	10



Cam 4



STOCK CODE	CC	CH	CL	LH:13 H
30403158	10	0	24	13
31403016	50	0	21	13
30403029	20	0	31	13
30403028	30	0	36	13
30403089	21	3	30	16
30403030	22	7	26	20
30403182	11	-3	28	10
30403058	40	0	31	13



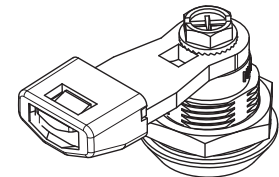
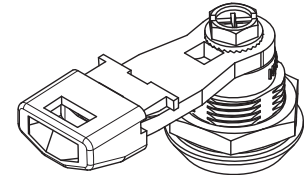
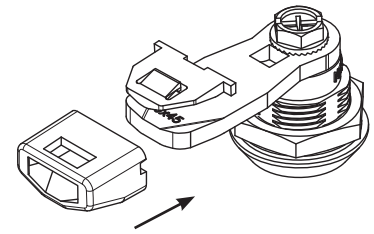
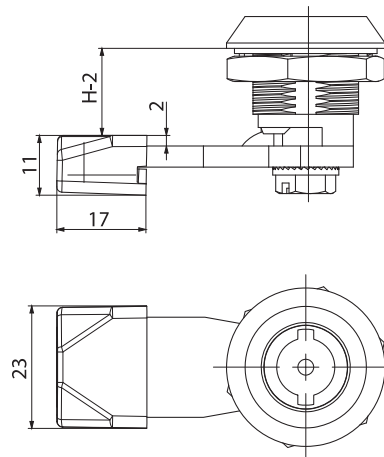
Hook cam (CC: 40)



# CAM ACCESSORIES

## SLIDE SHOE FOR CAM

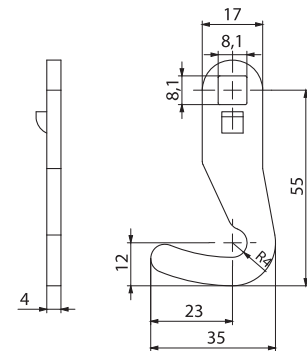
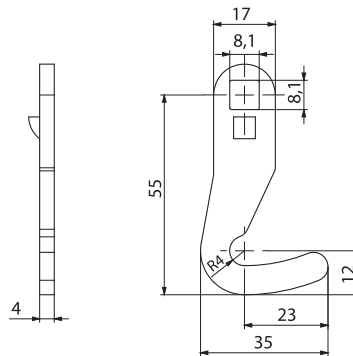
320.02.180



- Reduces the LH and H dimensions by 2 mm. Choose CH -2 mm for cam selection compared to unused

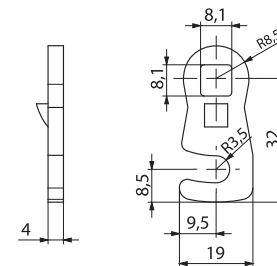
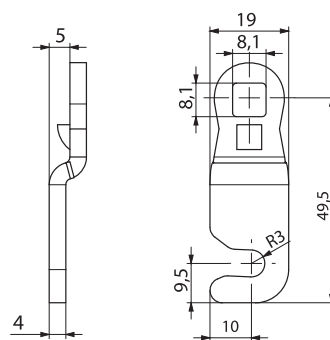
**MATERIAL**  
PA6 GFR 30

## HOOK CAMS



STOCK CODE	CC	CH	CL
30403485		0	55

STOCK CODE	CC	CH	CL
30403516		0	55



STOCK CODE	CC	CH	CL
30403672		-5	49

STOCK CODE	CC	CH	CL
30403712		0	32

- With stopper

**MATERIAL**  
Steel

**FINISH**  
Zinc plated



ACTUATOR PLATE



30403499

- three-point locking actuator plate.

MATERIAL

Steel

FINISH

Zinc plated

ACTUATOR PLATE



Right hand

30403563

Left hand

30403632

- ⚠ **Note:** This plate is used for 501 swing handle (p.20)

ACTUATOR PLATE



30403496

- 2-point locking actuator plate without stop lip.



30403495

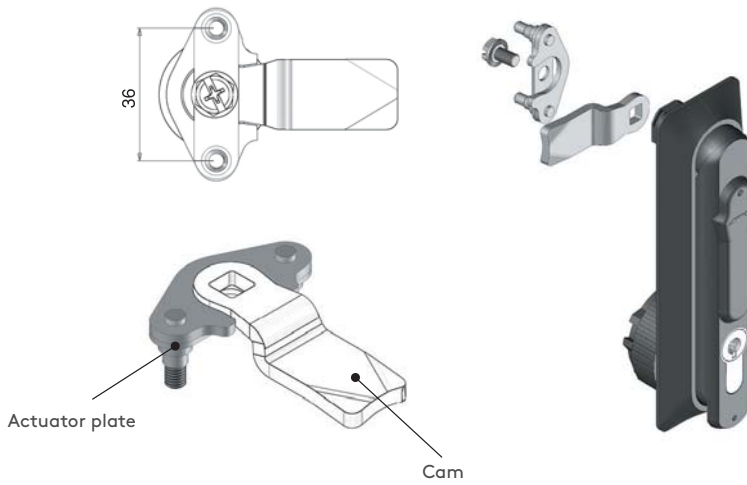
- 22-point locking actuator plate with stop lip.

MATERIAL

Steel

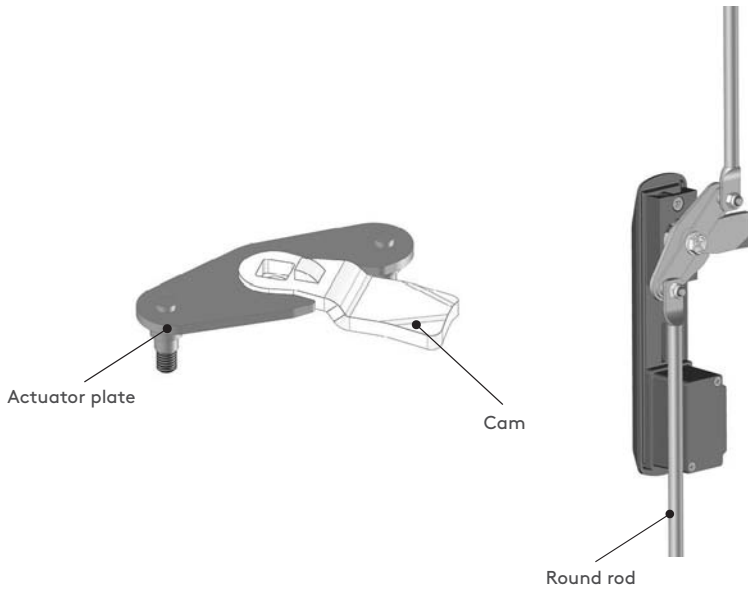
FINISH

Zinc plated



Actuator plate

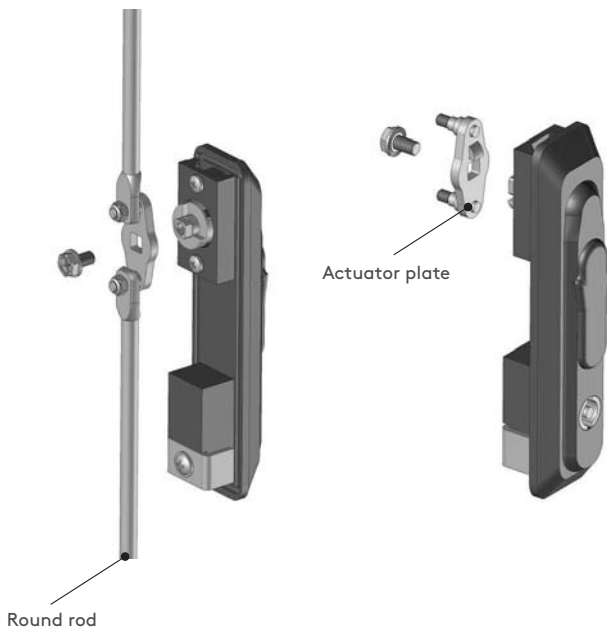
Cam



Actuator plate

Cam

Round rod



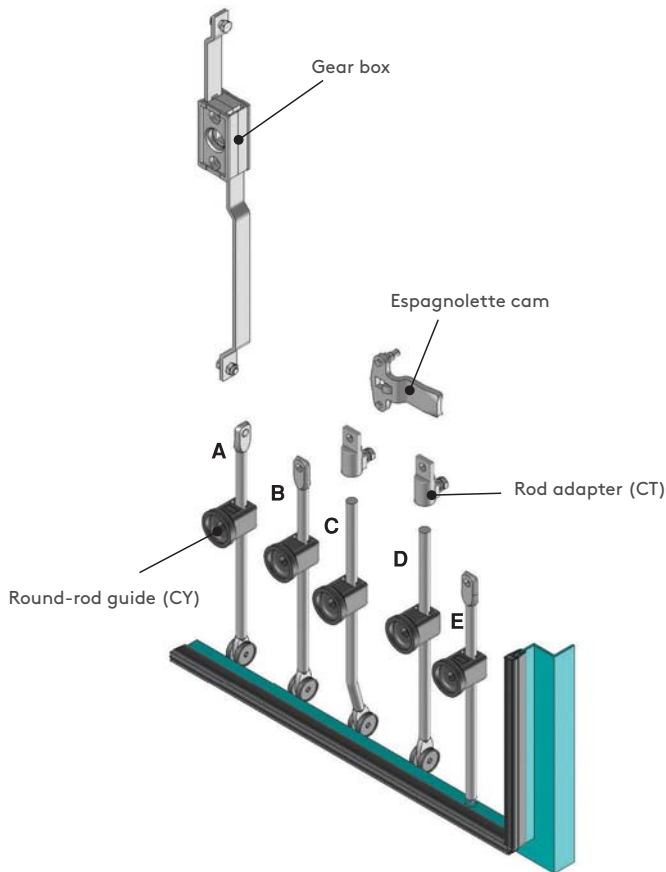
Actuator plate

Round rod

## Espagnolette round and flat rod applications and accessories

**IC**

▶ **ROUND-ROD APPLICATIONS**



Inside the gasketing applications

A - IC.4.L: Suitable for the gear-box applications. Rod adapter can not be used.

B - IC.3.L: Suitable for the espagnolette-cam applications. Rod adapter can not be used.

C - IC.6.L: Suitable for both gear-box and espagnolette-cam applications. Rod adapter can be used.

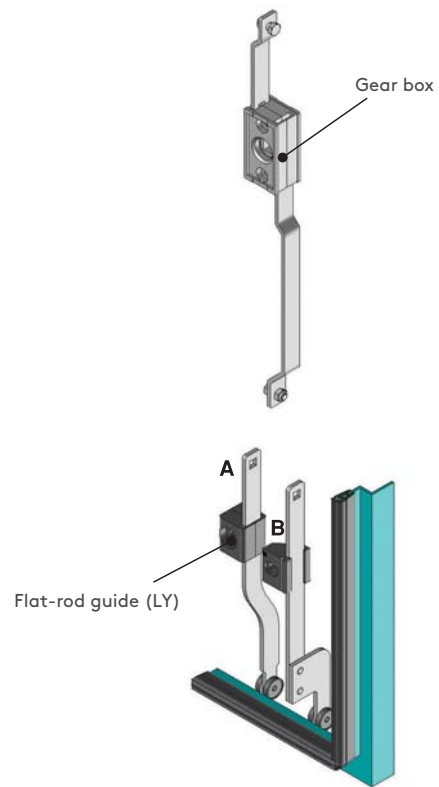
D- IC.2.L: Suitable for both gear-box and espagnolette-cam applications. Rod adapter can be used.

E- IC.1.L: Suitable for both gear-box and espagnolette-cam applications. Rod adapter can not be used. Alternative locking achievable with locking hole.

- Different rod-lengths are available. Please check the next pages
- Round-rod guide must be used for all applications. Please check the accessory pages

**IL**

▶ **FLAT-ROD APPLICATIONS**



Inside the gasketing applications

A - IL.1.h.1020: Suitable for the gear box applications. Two height (h) alternatives are available.

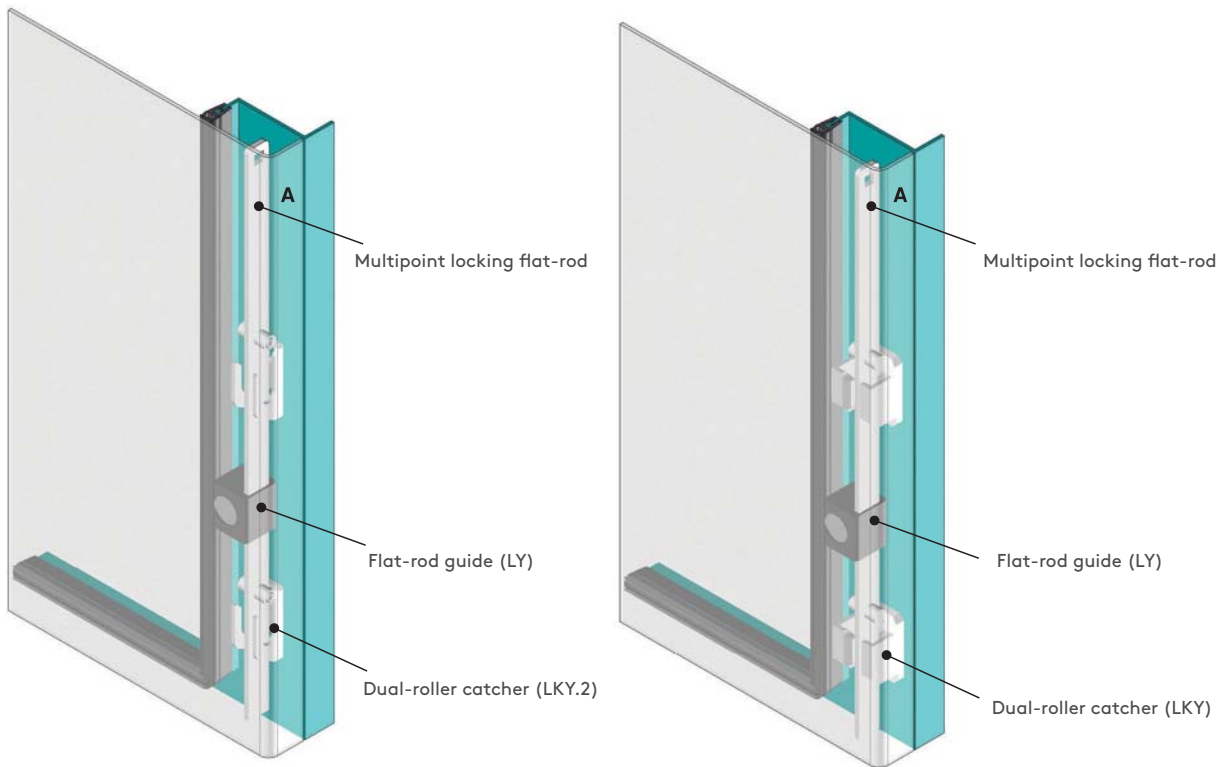
B - IL.2.h.1020 Suitable for the gear-box applications. Four height (h) alternatives are available.

- Flat-rod guide must be used for all espagnolette flat-rod applications. Please check the accessory pages
- Standard flat-rod length is 1020mm

Flat rod applications for multipoint locking and accessories.

ILP

► MULTIPOINT LOCKING FLAT-ROD APPLICATIONS



Outside the gasketing applications

A - ILP.1.575 Suitable for out-of-gasket locks

- Flat-rod guide and dual-roller catcher must be used for all espagnolette flat-rod applications. Please check the accessory pages

# ▶ ROUND-ROD ACCESSORIES

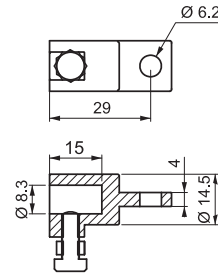
## ROD ADAPTER

CT



**MATERIAL**  
Zinc Alloy DIN-EN 1774-ZnAl4Cu1

**FINISH**  
Zinc plated



## ROD ADAPTER

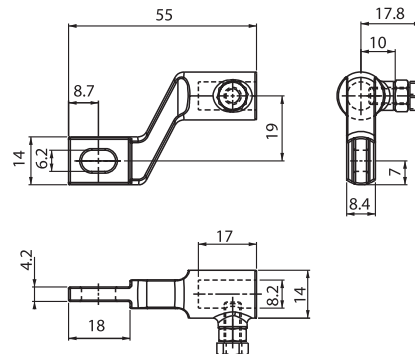
CT.2



• For horizontal application

**MATERIAL**  
Zinc Alloy DIN-EN 1774-ZnAl4Cu1

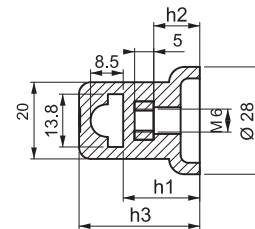
**FINISH**  
Zinc plated



## ROUND-ROD GUIDE



**MATERIAL**  
Polyamide PA6 GFR 30



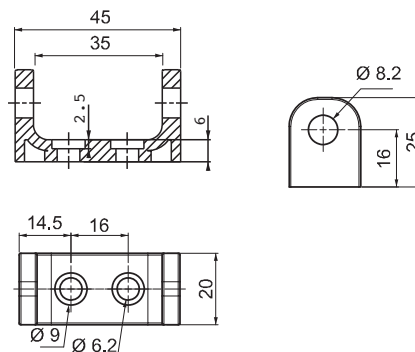
H1	H2	H3	FIXING SCREW	PRODUCT CODE
20	12	32	M6 X 16	CY.1.20
24	16	36	M6 X 20	CY.1.24
26	18	38	M6 X 22	CY.1.26

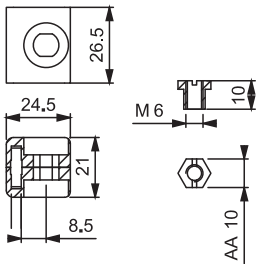


CY.2



**MATERIAL**  
Delrin



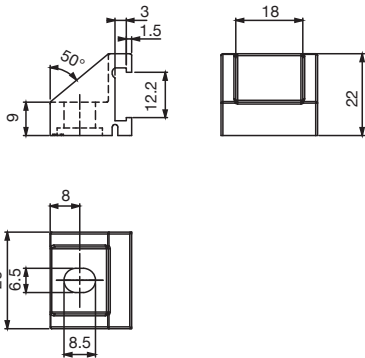


LY

FLAT ROD GUIDE



**MATERIAL**  
 BODY: Polyamide PA6 GFR 30  
 NUT: Steel

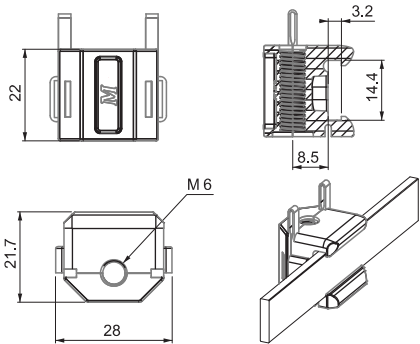


LY.2

FLAT-ROD GUIDE



**MATERIAL**  
 Polyamide PA6 GFR 30

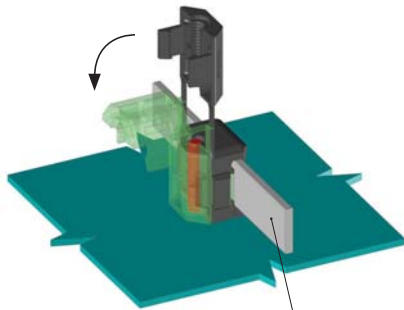


LY.3

FLAT ROD GUIDE (Easy fixing)



**MATERIAL**  
 Polyamide PA6 GFR 30



FLAT ROD

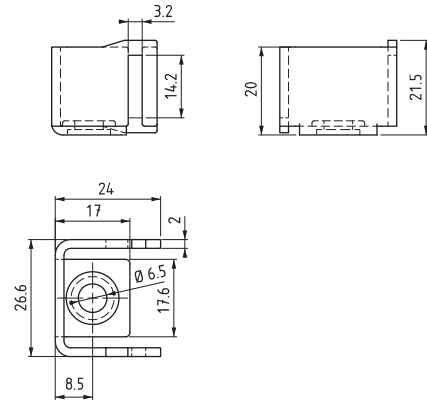
# ▶ FLAT-ROD ACCESSORIES

## FLAT-ROD GUIDE

LY.4.0



**MATERIAL**  
Stainless Steel



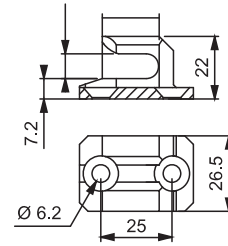
## DUAL - ROLLER CATCHER

LKY



**MATERIAL**  
Zinc Alloy DIN-EN 1774-ZnAl4Cu1

**FINISH**  
Zinc Plated



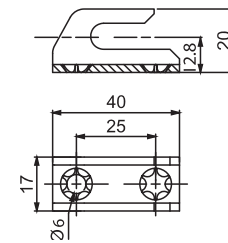
## DUAL - ROLLER CATCHER

LKY.2



**MATERIAL**  
Steel

**FINISH**  
Zinc plated

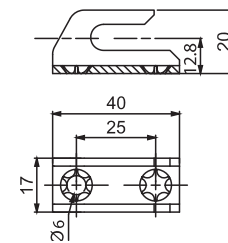


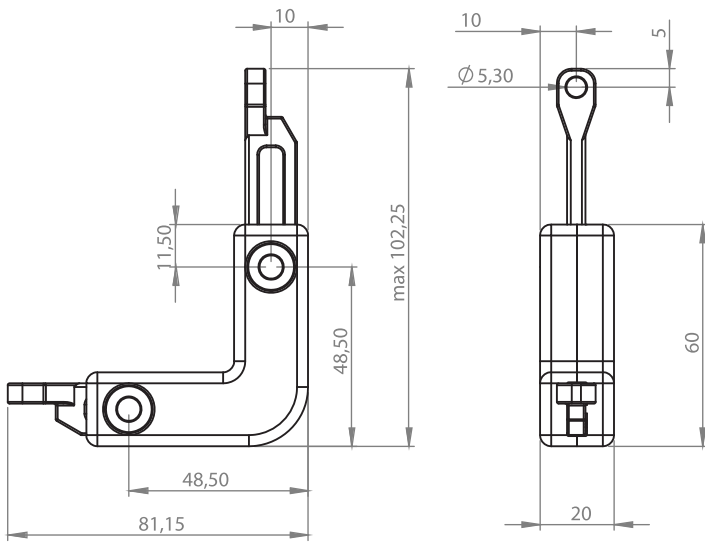
## DUAL - ROLLER CATCHER

LKY.2.4.0



**MATERIAL**  
Stainless Steel





RCC

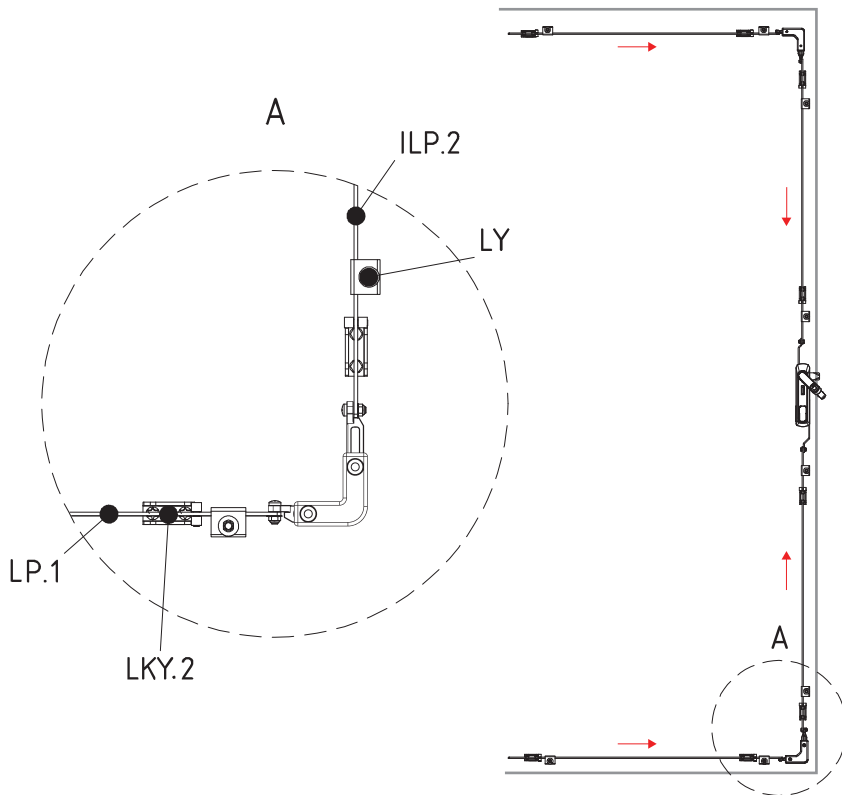
ROD CORNER CONTROL



- Used to convert the vertical movement of the flat rods to horizontal movement
- 8 point locking is possible for security reasons

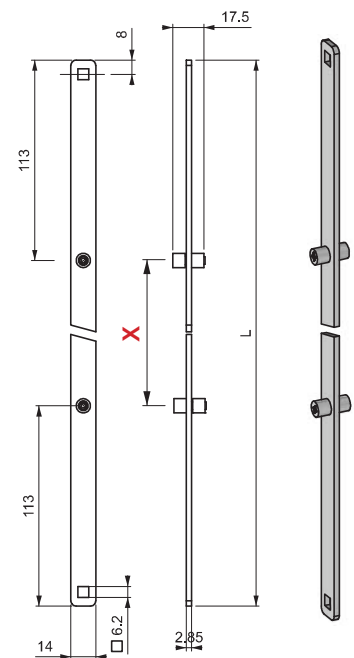
MATERIAL

BODY: Polyamide PA6 GFR 30  
RODS: Zinc Alloy DIN-EN 1774-ZnAl4Cu1



ILP

MULTIPOINT LOCKING FLAT ROD



PRODUCT CODE



GROUP CODE    VERSION    LENGTH BETWEEN PINS

Please specify for different 'X' length

MATERIAL

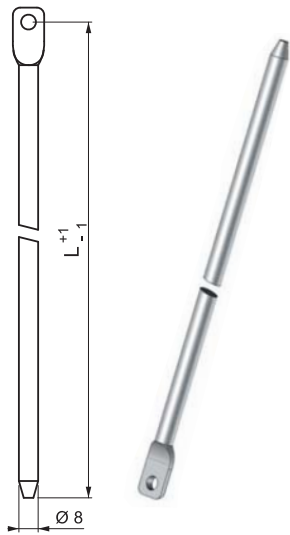
Steel

FINISH

Zinc Plated



# ▶ ROUND RODS



**V : 1**

L mm	PRODUCT CODE
400	IC 1-400
500	IC 1-500
600	IC 1-600
700	IC 1-700
800	IC 1-800
900	IC 1-900
1000	IC 1-1000

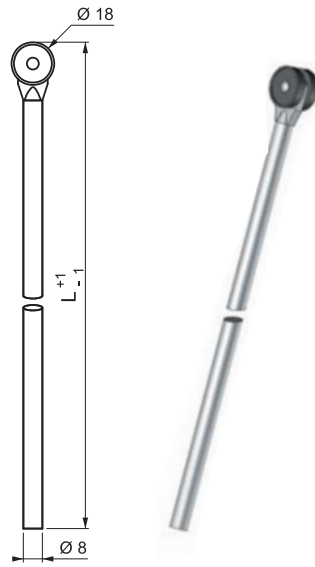
**Application:**

- With gear-box locks
- Locks with three-point cam



**Accessories:**

- Round-rod guide (CY)



**V : 2**

L mm	PRODUCT CODE
400	IC 2-400
500	IC 2-500
600	IC 2-600
700	IC 2-700
800	IC 2-800
900	IC 2-900
1000	IC 2-1000

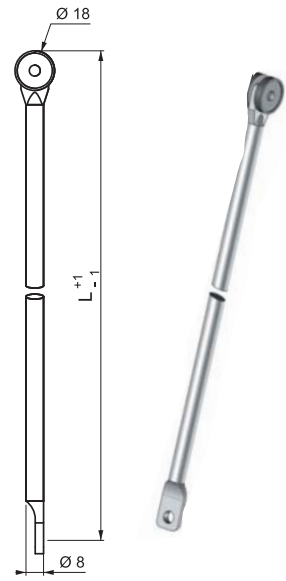
**Application:**

- With gear-box locks
- Locks with three-point cam



**Accessories:**

- Round-rod guide (CY)
- Rod adapter (CT)



**V : 3**

L mm	PRODUCT CODE
400	IC 3-400
500	IC 3-500
600	IC 3-600
700	IC 3-700
800	IC 3-800
900	IC 3-900
1000	IC 3-1000

**Application:**

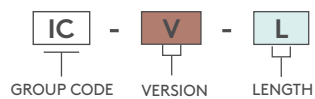
- Locks with three-point cam



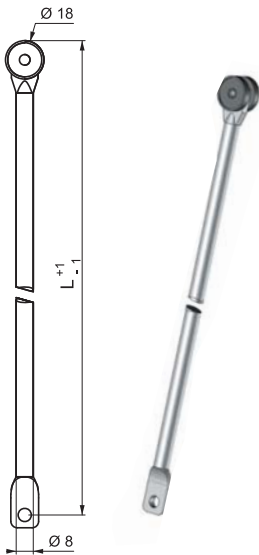
**Accessories:**

- Round-rod guide (CY)
- Stainless steel version: page 430

**PRODUCT CODE**



For different 'L' lengths, please contact Essentra



**V : 4**

L mm	PRODUCT CODE
400	IC 4-400
500	IC 4-500
600	IC 4-600
700	IC 4-700
800	IC 4-800
900	IC 4-900
1000	IC 4-1000

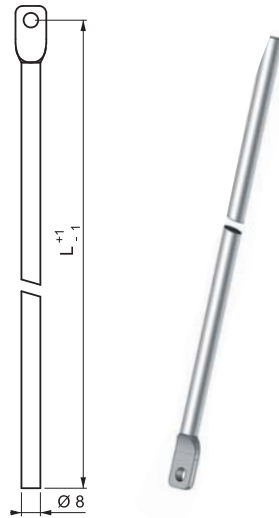
Application:

- With gearbox locks



Accessories:

- Round-rod guide (CY)



**V : 5**

L mm	PRODUCT CODE
400	IC 5-400
500	IC 5-500
600	IC 5-600
700	IC 5-700
800	IC 5-800
900	IC 5-900
1000	IC 5-1000

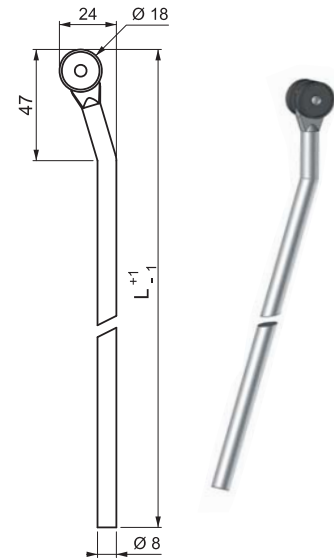
Application:

- With gear-box locks
- Locks with three-point cam



Accessories:

- Round-rod guide (CY)



**V : 6**

L MM	PRODUCT CODE
400	IC 6-400
500	IC 6-500
600	IC 6-600
700	IC 6-700
800	IC 6-800
900	IC 6-900
1000	IC 6-1000

Application:

- With gear-box locks
- Locks with three-point cam

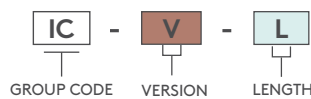


Accessories:

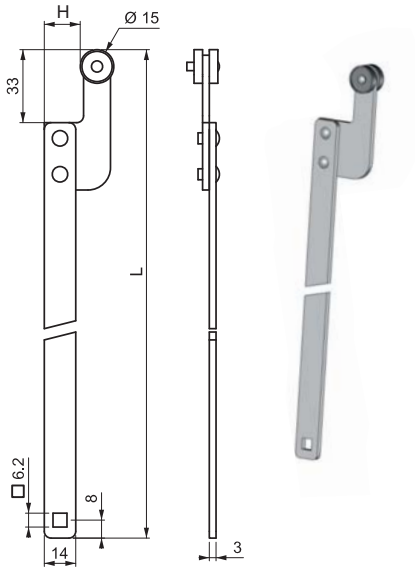
- Round-rod guide (CY)
- Rod adapter (CT)

- Stainless steel version: page 430

PRODUCT CODE



For different 'L' lengths, please contact Essentra



**V** : 1

H mm	L mm	PRODUCT CODE
27	1020	IL 1-27-1020
13	1020	IL 1-13-1020

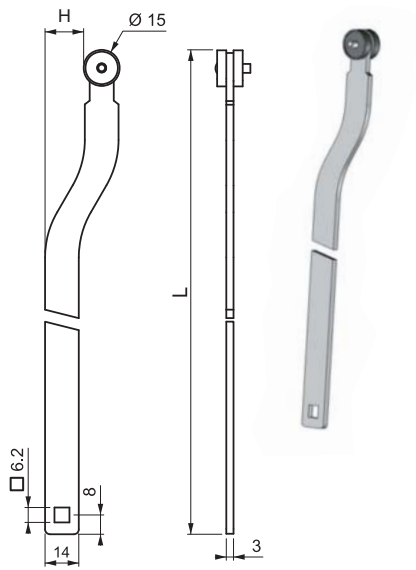
**Application:**

- With gear-box locks



**Accessories:**

- Flat-rod guide (LY)



**V** : 2

H mm	L mm	PRODUCT CODE
21	1020	IL 2-21-1020
16	1020	IL 2-16-1020

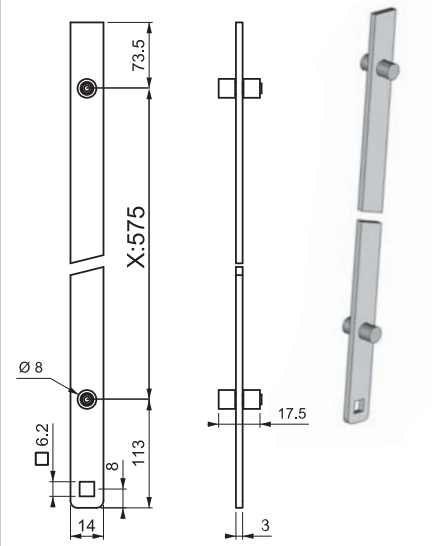
**Application:**

- With gear-box locks



**Accessories:**

- Flat-rod guide (LY)



**V** : 3

X mm	PRODUCT CODE
575	ILP 1-575

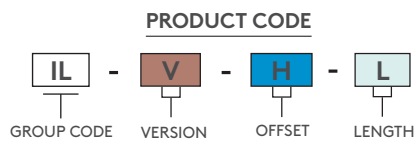
**Application:**

- With gear-box locks

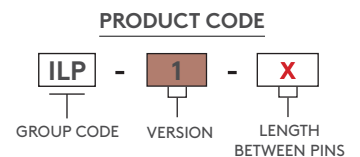


**Accessories:**

- Flat-rod guide (LY)
- Dual-roller catcher (LKY)
- Stainless steel version: page 431



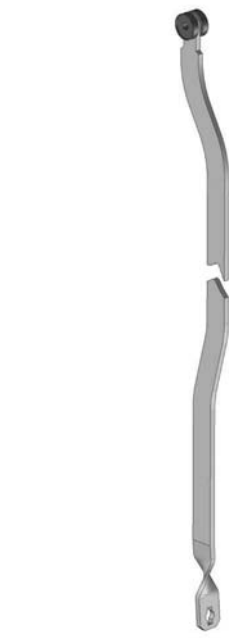
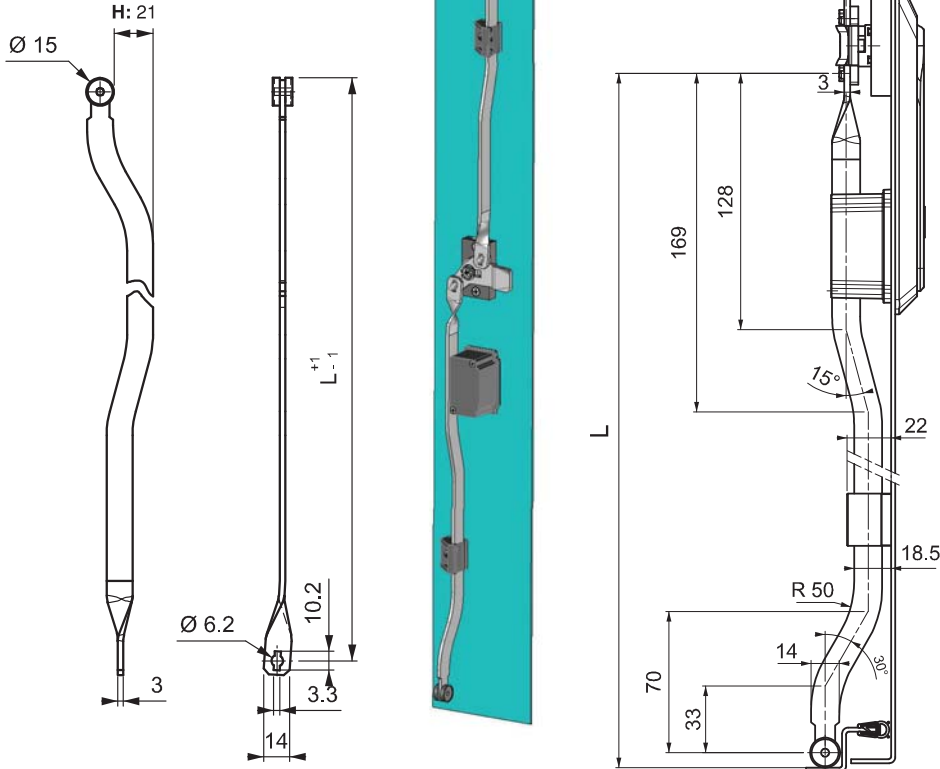
For different 'L' lengths, please contact Essentra Components



Please specify for different 'X' length

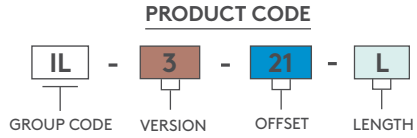


FLAT ROD



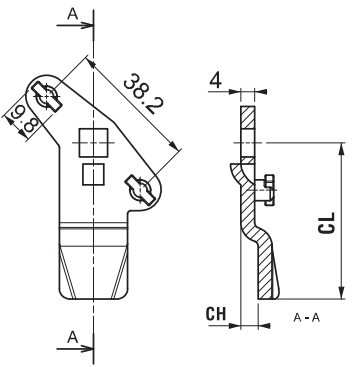
• T-shape rivets on cam provide easy assembly of rods.

**MATERIAL**  
Steel  
**FINISH**  
Zinc plated



Please specify for different 'L' length

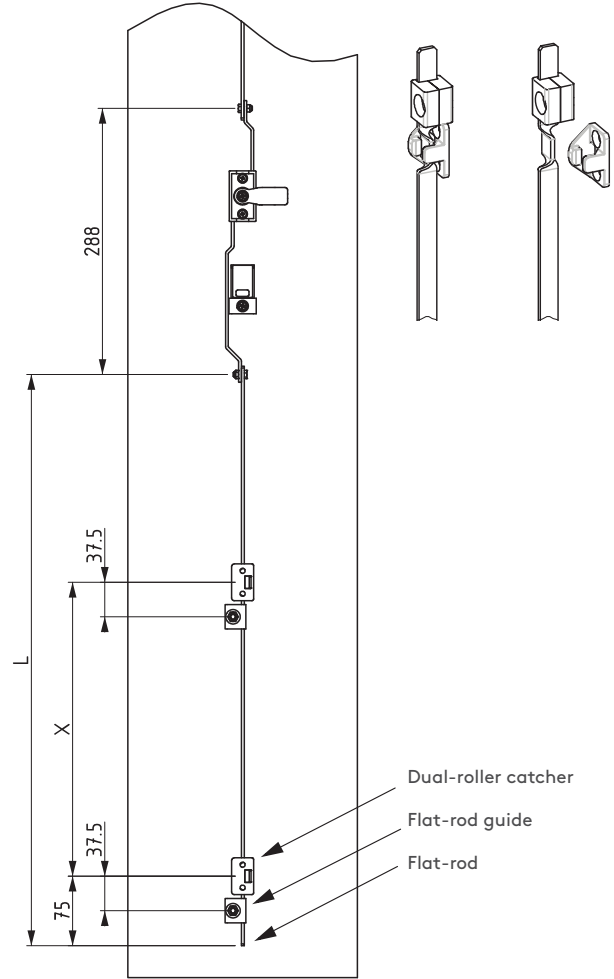
3-POINT CAM



STOCK CODE	CH	CL
34003591	5	45
34003592	20	45



**FLAT ROD**



**MATERIAL**  
Steel

**FINISH**  
Zinc plated

**DUAL-ROLLER CATCHER**

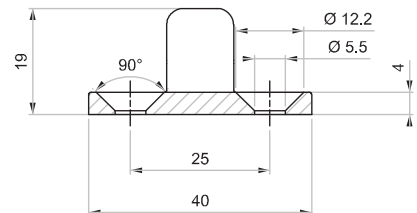
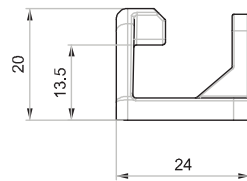
**LKY.3**

**PRODUCT CODE**



**MATERIAL**  
Zinc Alloy DIN-EN 1774-ZnAl4Cu1

**FINISH**  
Zinc plated



Polyamide



**669.66**  
6 mm Hexagon

Polyamide



**669.15**  
5 mm Double bit

Polyamide



**669.28**  
8 mm Square

Polyamide



**669.39**  
9 mm Triangular

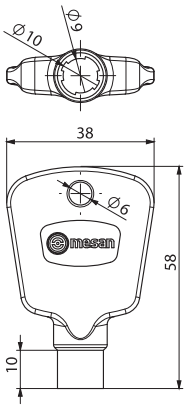
Polyamide



**269.15**  
5 mm Double bit



**Note:** Suitable for 040 & 540 compression locks



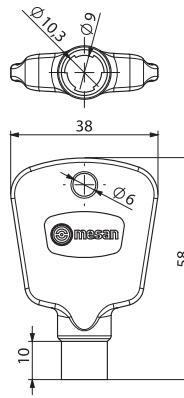
Polyamide



**669.93**  
Tubular key



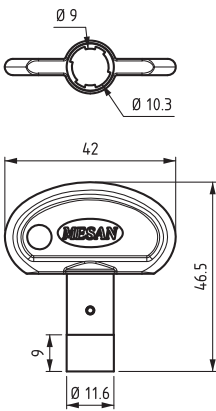
**Note:** Suitable for 140 compression lock



Polyamide



**769.93**  
Tubular key

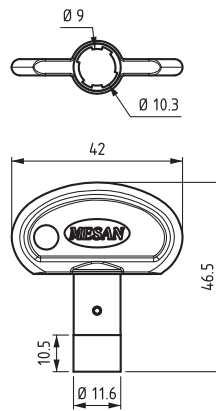


Metal



Tubular key

Chrome plated: **369.1.1**  
Black coated : **369.1.2**



Metal

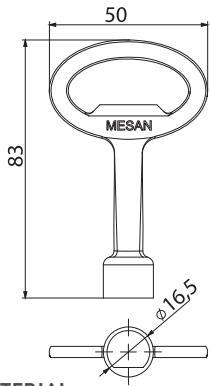
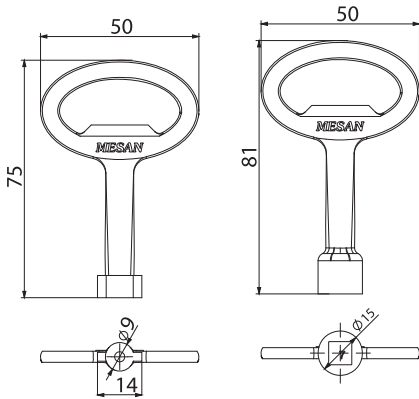


Tubular key

Chrome plated: **469.1.1**  
Black coated : **469.1.2**

METAL KEY LONG

368



**MATERIAL**  
Zinc Alloy DIN-EN 1774-ZnAl4Cu1

**FINISH**  
Chrome plated



**368-13**  
3 mm Double bit

**368-15**  
5 mm Double bit

**368-26**  
6 mm Square

**368-27**  
7 mm Square

**368-28**  
8 mm Square



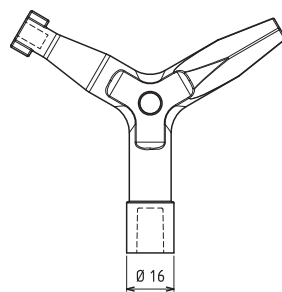
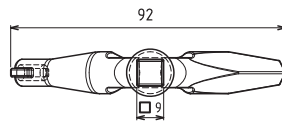
**368-37**  
7 mm Triangular

**368-38**  
8 mm Triangular

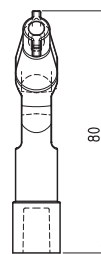
**368-39**  
9 mm Triangular

**368-91**  
Eastern

**368-68**  
8 mm Hexagon  
High security



Double bit, Square, Railway



**568.1.3**  
Multiple key

267

METAL KEY SHORT



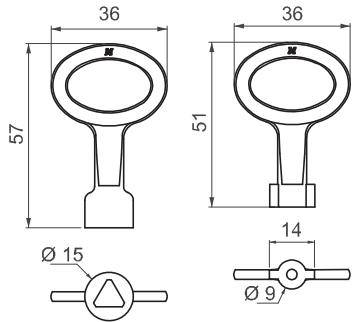
**267-13**  
3 mm Double bit

**267-15**  
5 mm Double bit

**267-26**  
6 mm Square

**267-27**  
7 mm Square

**267-28**  
8 mm Square



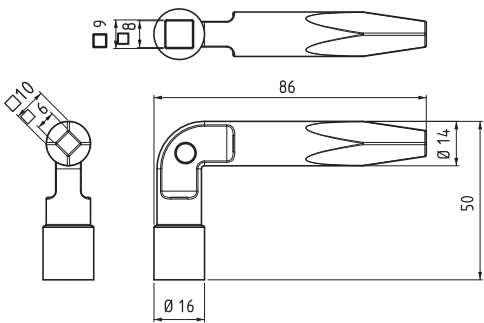
**267-37**  
7 mm Triangular

**267-38**  
8 mm Triangular

**267-39**  
9 mm Triangular

**MATERIAL**  
Zinc Alloy DIN-EN 1774-ZnAl4Cu1

**FINISH**  
Chrome plated



Square, Railway



**569.1.3**  
Railway key



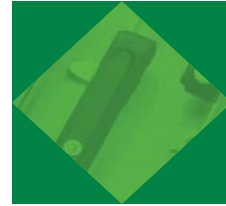


# LATCHES/LOCKS



## QUARTER-TURN LATCHES

GROUP CODE	PRODUCT NAME
360	QUARTER TURN – SPRING LOADED
060	QUARTER TURN – SPRING LOADED
062	QUARTER TURN – WING KNOB
362	QUARTER TURN – WING KNOB
562	PADLOCKABLE – WING KNOB
262	PADLOCKABLE – WING KNOB
662	QUARTER TURN - PADLOCKABLE
211	PADLOCKABLE - 'L' HANDLE
960	QUARTER TURN - MODULER HANDLE
361	SECURE QUARTER TURN
461	SECURE QUARTER TURN
560	QUARTER TURN – EASY FIXING
660	QUARTER TURN – EASY FIXING
661	QUARTER TURN – EASY FIXING
761	QUARTER TURN – EASY FIXING
760	QUARTER TURN – SPRING LOADED
561	KNOB LATCH (Plastic)
161	KNOB LATCH (Plastic)
261	KNOB LATCH (Plastic)
160	QUARTER TURN – SPRING CAM
260	QUARTER TURN – PADLOCKABLE
162	LEVER LOCK CAM LATCH
060 AX	ACCESSORIES
064	STEPPED COVER LATCH
064	QUARTER TURN – SPRING LOADED
064	QUARTER TURN – WING KNOB
040	COMPRESSION LATCH
140	MINI COMPRESSION LATCH
045	COMPRESSION - SPRING LATCH
366	MINI QUARTER TURN – EASY FIXING
566	MINI QUARTER TURN – EASY FIXING
066	MINI QUARTER TURN – SPRING LOADED
266	MINI QUARTER TURN – SPRING LOADED
166	MINI QUARTER TURN – WING KNOB
050	CAM LATCH – BALL
055	PADLOCKABLE – KNOB
350	QUARTER TURN LATCH
203	QUARTER TURN WING KNOB
103	QUARTER TURN LATCH
203	QUARTER TURN LATCH



PAGE

196  
197  
198  
199  
200  
201  
202 - 203  
204  
205  
206  
207  
208  
209  
210  
211  
212  
231  
214  
215  
216  
217  
218  
219 - 121  
224  
225  
226 - 227  
228 - 229  
230  
231  
234  
235  
236  
237  
238  
239  
240 - 241  
242  
243  
244  
245





# ▶ QUARTER-TURN LATCHES


M	F	
1	1	Zinc Alloy/chrome plated
1	2	Zinc Alloy/black coated
2	0	Polyamide/No finish


**M** MATERIAL      **F** FINISH      **DD** DRIVER/TOOL CODE


## DRIVERS/TOOLS


3 mm Double bit		M	F	Stock code
DD		1	1	30101127
		1	2	30101126
		2	0	30102012


5 mm Double bit		M	F	Stock code
DD		1	1	30101099
		1	2	30101125
		2	0	30102001


8 mm Square		M	F	Stock code
DD		1	1	30101113
		1	2	30101065
		2	0	30102011


6 mm Square		M	F	Stock code
DD		1	1	30101058
		1	2	30101139
		2	0	30102009


7 mm Square		M	F	Stock code
DD		1	1	30101039
		1	2	30101138
		2	0	30102010


9 mm Triangular		M	F	Stock code
DD		1	1	30101066
		1	2	30101140
		2	0	30102007


7 mm Triangular		M	F	Stock code
DD		1	1	30101124
		1	2	30101120
		2	0	30102008


8 mm Triangular		M	F	Stock code
DD		1	1	30101114
		1	2	30101064
		2	0	30102006


Slot		M	F	Stock code
DD		1	1	30101636
		1	2	30101637
		2	0	•


Slot (2x4)		M	F	Stock code
DD		1	1	30101146
		1	2	30101149
		2	0	30102005


8 mm Square Slot		M	F	Stock code
DD		1	1	30101175
		1	2	30101176
		2	0	•

10 mm Hexagon female		M	F	Stock code
DD		1	1	30101169
		1	2	30101170
		2	0	•


8 mm Hexagon female		M	F	Stock code
DD		1	1	30101195
		1	2	30101196
		2	0	•

5x10 Slot		M	F	Stock code
DD		1	1	30101188
		1	2	30101189
		2	0	•


6 mm Square		M	F	Stock code
DD		1	1	30101173
		1	2	30101174
		2	0	•

Railway		M	F	Stock code
DD		1	1	30101171
		1	2	30101172
		2	0	•

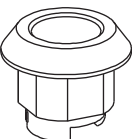
Eastern		M	F	Stock code
DD		1	1	30101177
		1	2	30101178
		2	0	•

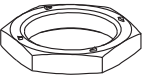
Tork (T-30)		M	F	Stock code
DD		1	1	30101213
		1	2	•
		2	0	•

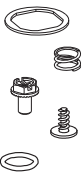
11 mm Hexagon male		M	F	Stock code
DD		1	1	30101675
		1	2	30101676
		2	0	•

Fiat		M	F	Stock code
DD		1	1	30101677
		1	2	30101678
		2	0	•

## HOUSING, NUT, SEALING WASHER, SPRING, SCREW, O-RING

Housing		M	F	Stock code
		1	1	30301019
		1	2	30301035
		1	1	*30301226
		1	2	*30301283
		2	0	30302061

Nut		M	F	Stock code
		1	1	30501015
		2	0	30502002

	Sealing Washer	30802021
	Spring	30703001
	Screw (6x10 Kombi)	30603002
	Screw (5x11 RYSB)	30603055
	O'Ring (IP 65)	30802002

\* Suitable for Railway driver

Note: Consult Essentra for Details

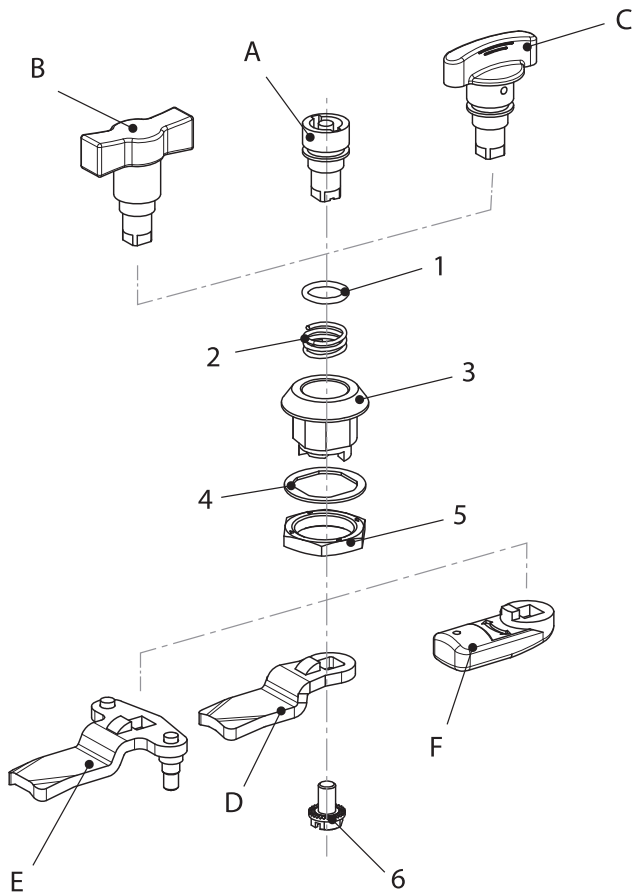


ASSEMBLY

QUARTER-TURN LATCHES

060, 062, 362

Zinc Alloy

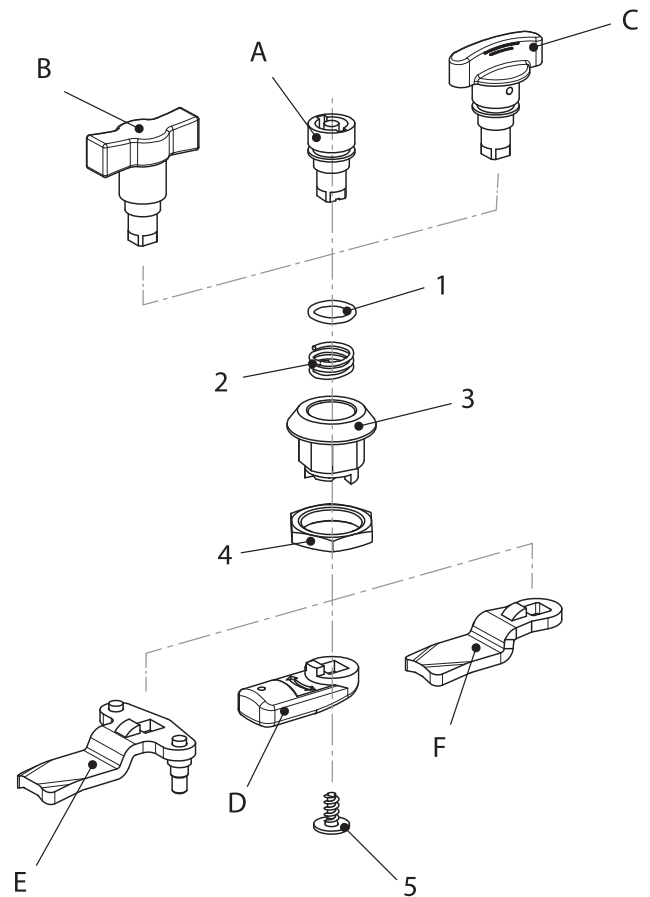


A : Driver/Tool (060 system), Zinc Alloy  
 B : Knob (062 system), Zinc Alloy  
 C : Knob (362 system), Zinc Alloy

1 : O-ring (IP 65)  
 2 : Spring  
 3 : Housing (Ø 30), Zinc Alloy  
 4 : Sealing washer  
 5 : Nut, Zinc Alloy  
 6 : Screw (6x10 Kombi)

D : Cam  
 E : Espagnolette cam  
 F : Plastic cam

Plastic



A : Driver (060 system), Plastic  
 B : Knob (062 system), Plastic  
 C : Knob (362 system), Plastic

1 : O-ring (IP 65)  
 2 : Spring  
 3 : Housing (Ø 28), Plastic  
 4 : Nut, Plastic  
 5 : Screw (5x11 RYSB)

D : Plastic cam  
 E : Espagnolette cam  
 F : Cam

# ▶ QUARTER-TURN LATCHES

## QUARTER TURN – SPRING LOADED

**360**



- Special clip for grounding
- Specially designed internal spring provides 1.5 mm of compression
- Cam does not rotate beyond quarter turn due to stop lip

### MATERIAL

HOUSING: Zinc Alloy DIN-EN 1774-ZnAl4Cu1

DRIVER/TOOL: Zinc Alloy DIN-EN 1774-ZnAl4Cu1

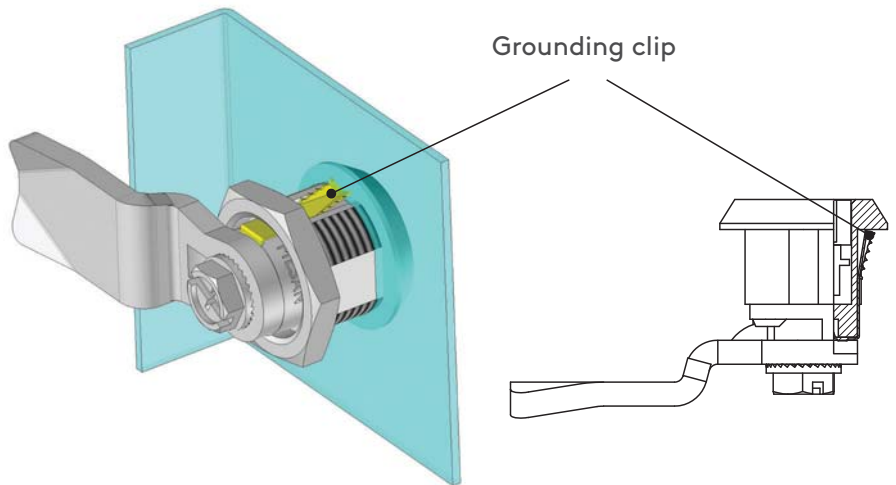
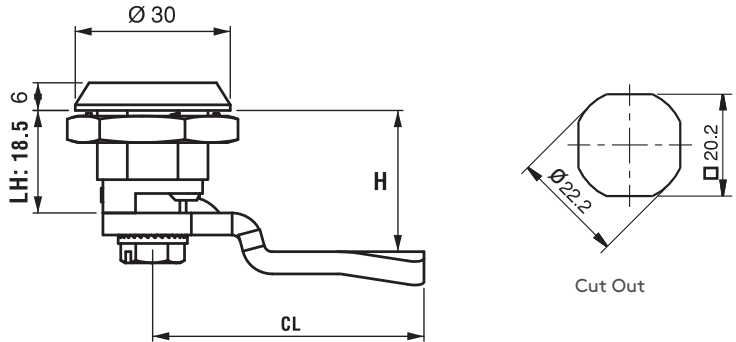
CAM: Steel or Plastic

GASKET: Rubber

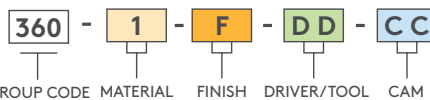
GROUNDING CLIP: Stainless steel

### FINISH

Chrome or Black coated

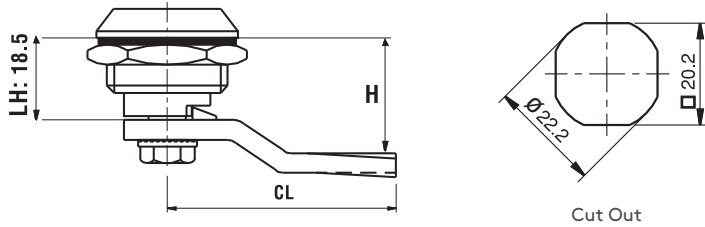


### PRODUCT CODE



MATERIAL		M	FINISH		F
Zinc Alloy		1	Chrome		1
			Black coated		2

v



060

QUARTER TURN –  
SPRING LOADED



**060 1-1-DD-CC**  
Zinc Alloy – Chrome

**060 1-2-DD-CC**  
Zinc Alloy Black Coated

**060 2-0-DD-CC**  
Plastic



- Stainless steel version: page: 466
- Specially designed internal spring provides 1.5 mm of compression
- Cam does not rotate beyond quarter turn due to stop lip

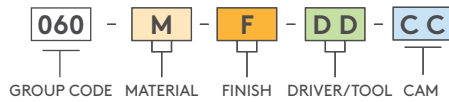
HOUSING: Zinc Alloy DIN-EN 1774-ZnAl4Cu1 or PA6 GFR 30

DRIVER/TOOL: Zinc Alloy DIN-EN 1774-ZnAl4Cu1 or PA6 GFR 30

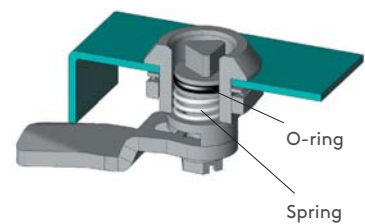
CAM: Steel or Plastic  
GASKET: Rubber

FINISH  
Chrome or Black coated

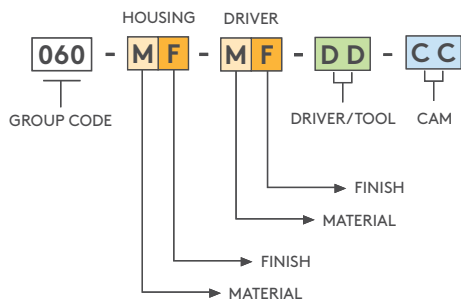
PRODUCT CODE



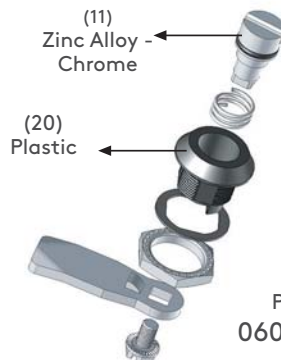
MATERIAL	M	FINISH	F
Zinc Alloy	1	Chrome	1
		Black coated	2
Plastic	2	No finish	0



For mixed material and finish latch orders, please use the following coding system:



EXAMPLE



PRODUCT CODE  
060 20-11-42-40-1

- For cams please check pages: 170 - 171
- For rods please check pages: 178 - 188
- For keys please check pages: 189 - 191

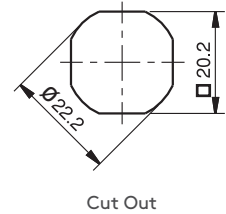
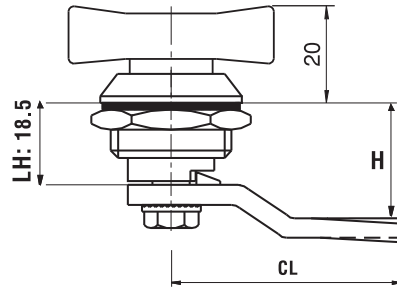
# ▶ QUARTER-TURN LATCHES

## QUARTER TURN – WING KNOB

062



- RoHS
- IP 65  
NEMA 4



- Wing operates latch and serves as knob

### MATERIAL

HOUSING: Zinc Alloy DIN-EN 1774-ZnAl4Cu1 or PA6 GFR 30

KNOB: Zinc Alloy DIN-EN 1774-ZnAl4Cu1 or PA6 GFR 30

CAM: Steel or Plastic  
GASKET: Rubber

### FINISH

Chrome or Black coated

**062 1-1-CC**  
Zinc Alloy Chrome



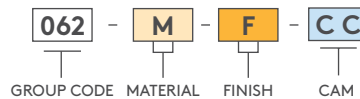
**062 1-2-CC**  
Zinc Alloy Black Coated



**062 2-0-CC**  
Plastic

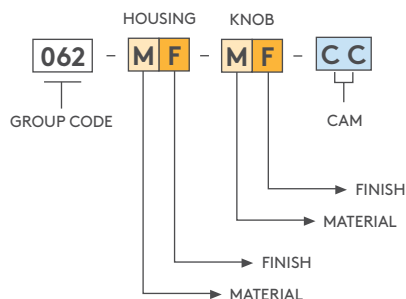


### PRODUCT CODE

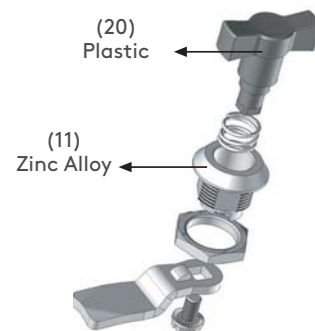


MATERIAL		M	FINISH		F
Zinc Alloy		1	Chrome		1
			Black coated		2
Plastic		2	No finish		0

For mixed material and finish latch orders, please use the following coding system:



### EXAMPLE



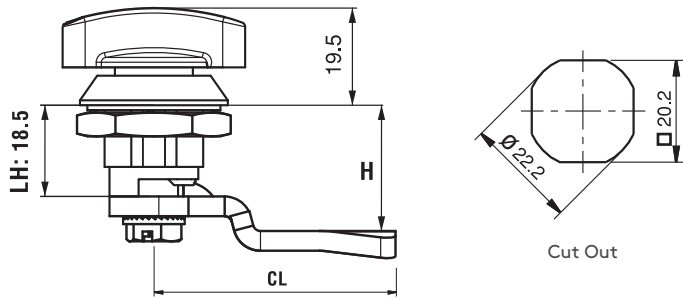
PRODUCT CODE  
**062 11-20-42**

- For cams please check pages: 170 - 171
- For rods please check pages: 178 - 188



**362**

**QUARTER TURN – WING KNOB**



- RoHS
- IP 65 NEMA 4
- 



• Wing operates latch and serves as knob

**MATERIAL**  
 HOUSING: Zinc Alloy DIN-EN 1774-ZnAl4Cu1 or PA6 GFR 30  
 KNOB: Zinc Alloy DIN-EN 1774-ZnAl4Cu1 or PA6 GFR 30  
 CAM: Steel or Plastic  
 GASKET: Rubber  
**FINISH**  
 Chrome or Black coated

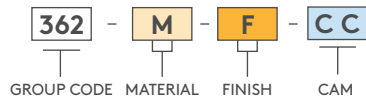
**362 1-1-CC**  
 Zinc Alloy Chrome

**362 1-2-CC**  
 Zinc Alloy Black Coated

**362 2-0-CC**  
 Plastic

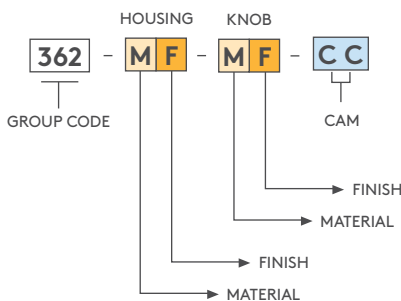


**PRODUCT CODE**

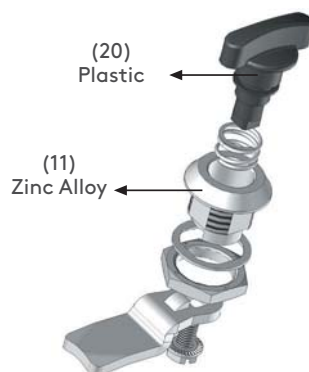


MATERIAL	M	FINISH	F
Zinc Alloy	1	Chrome	1
Plastic	2	Black coated	2
		No finish	0

For mixed material and finish latch orders, please use the following coding system:



**EXAMPLE**



PRODUCT CODE  
**362 11-20-42**

- For cams please check pages: 170 - 171
- For rods please check pages: 178 - 188



# ▶ QUARTER-TURN LATCHES

## PADLOCKABLE WING KNOB

562



- **Stainless Steel version: page 438**
- Maximum shackle diameter is 10 mm for 11 mm hole
- Maximum shackle diameter is 6 mm for 8.5 mm hole

### MATERIAL

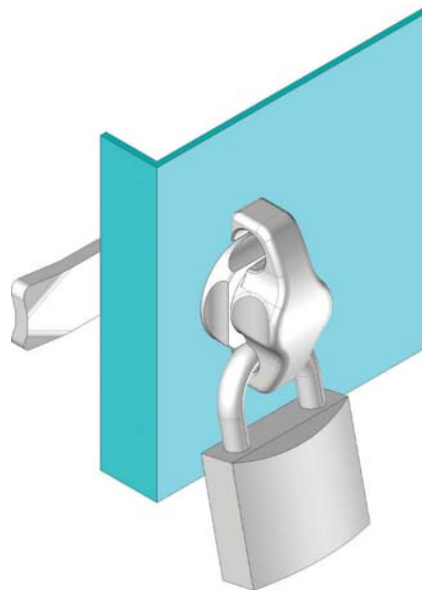
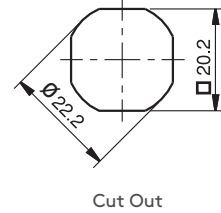
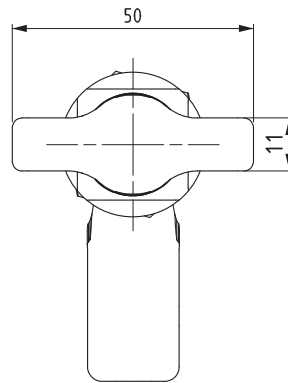
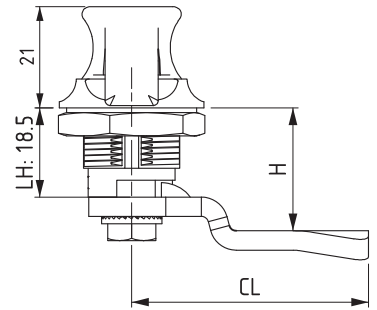
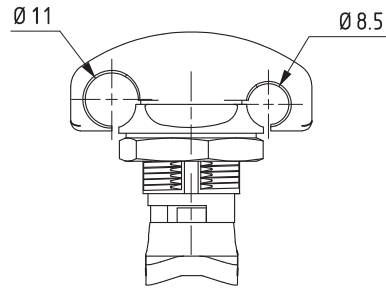
HOUSING: Zinc Alloy DIN-EN 1774-ZnAl4Cu1

KNOB: Zinc Alloy DIN-EN 1774-ZnAl4Cu1

CAM: Steel

### FINISH

Chrome or Black coated



For cams please check pages: 170 - 171

For rods please check pages: 178 - 188

FINISH	F
Chrome	1
Black coated	2

### PRODUCT CODE

562 - F - CC  
 GROUP CODE FINISH CAM



262

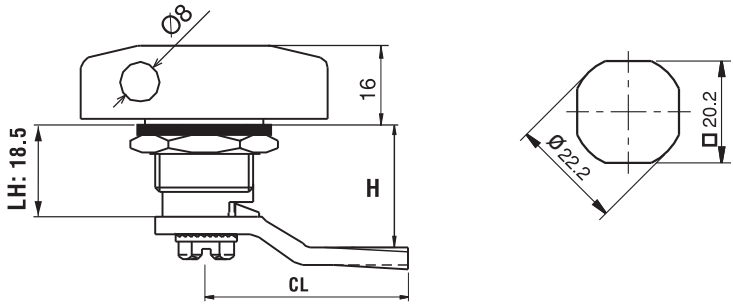
PADLOCKABLE WING KNOB

-  RoHS
- 
- 
- 
- 



• Padlockable wing knob. Maximum shackle diameter 6 mm

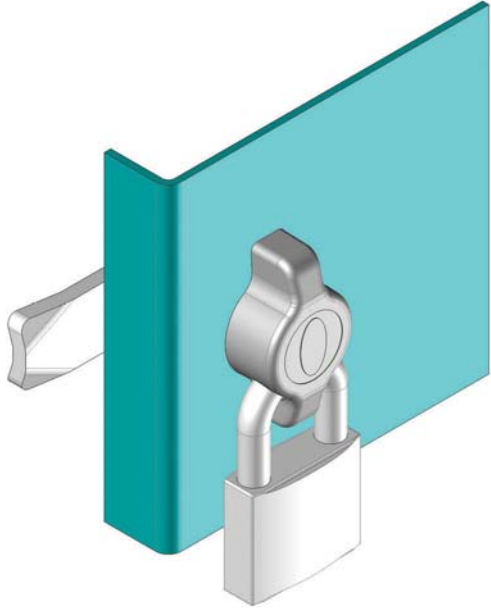
**MATERIAL**  
 HOUSING: Zinc Alloy DIN-EN 1774-ZnAl4Cu1  
 KNOB: Zinc Alloy DIN-EN 1774-ZnAl4Cu1  
 CAM: Steel  
**FINISH**  
 Chrome or Black coated



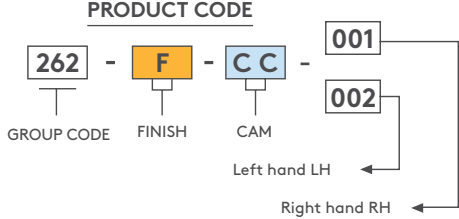
262 .1  
Zinc Alloy Chrome





262. 2  
Zinc Alloy Black Coated



FINISH	F
Chrome	1
Black coated	2



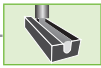
 For cams please check pages: 170 - 171  
 For rods please check pages: 178 - 188

# ▶ QUARTER-TURN LATCHES

QUARTER TURN-  
PADLOCKABLE

662

V :1



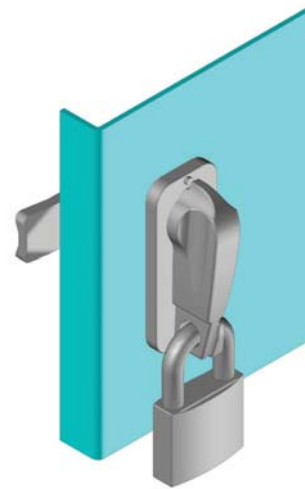
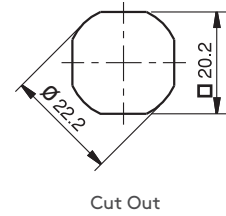
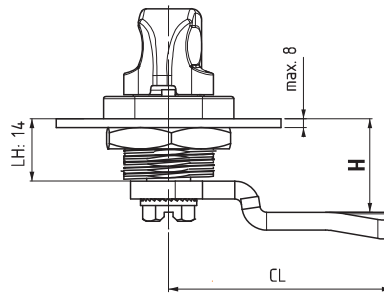
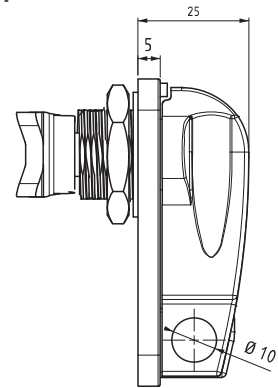
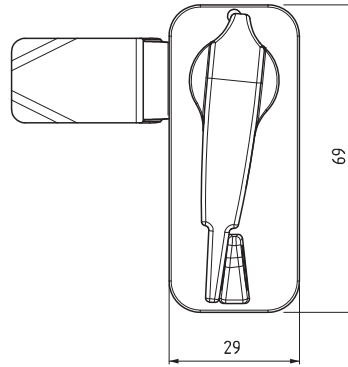
- Standard cams without stopper required for these locks
- Maximum shackle diameter 8 mm

**MATERIAL**

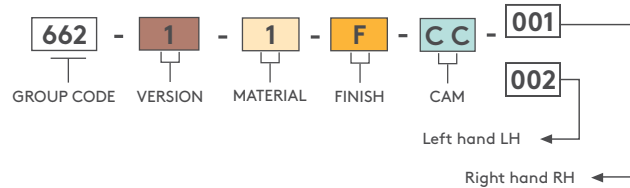
HOUSING: Zinc Alloy DIN-EN 1774-ZnAl4Cu1  
 KNOB: Zinc Alloy DIN-EN 1774-ZnAl4Cu1  
 CAM: Steel

**FINISH**

Chrome or Black coated



**PRODUCT CODE**

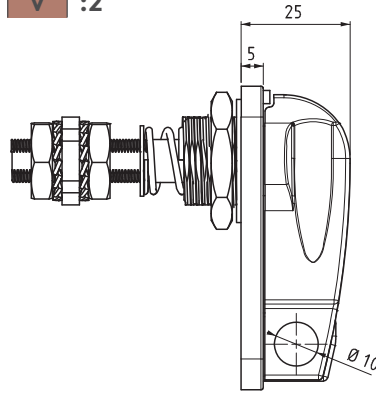
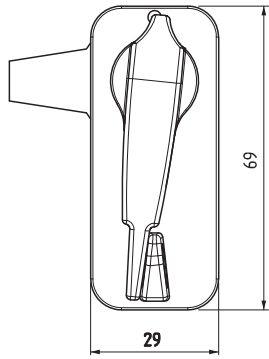


MATERIAL	M	FINISH	F
Zinc Alloy	1	Chrome	1
		Black coated	2

For cams please check pages: 172 - 173



V :2



662

QUARTER TURN-PADLOCKABLE



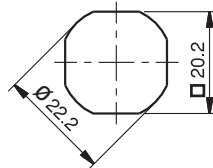
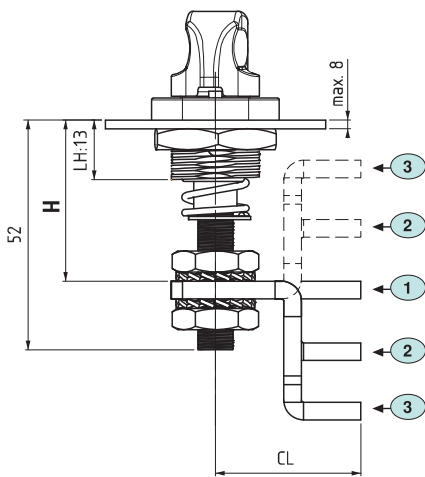
- Adjustable cam
- Three different cam alternatives available
- Maximum shackle diameter 8 mm
- Suitable for left-hand and right-hand applications

MATERIAL

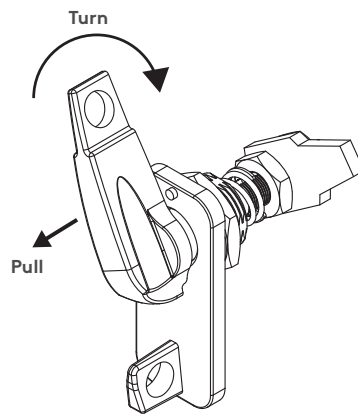
HOUSING: Zinc Alloy DIN-EN 1774-ZnAl4Cu1  
 KNOB: Zinc Alloy DIN-EN 1774-ZnAl4Cu1  
 CAM: Steel

FINISH

Chrome or Black coated



Cut Out

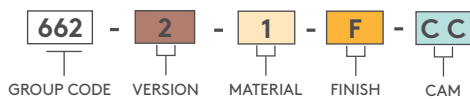


Left hand & Right hand  
Pull and turn the knob



CAM	CC	CH	CL	POSITION	H: GRIP	
					MIN	MAX
1	01	0	33	Flat	30	41,5
2	02	14	33	Up	16	27,5
				Down	44	55,5
3	03	27,5	33	Up	2,5	14
				Down	57,5	69

PRODUCT CODE



MATERIAL	M	FINISH	F
Zinc Alloy	1	Chrome	1
		Black coated	2

# ▶ QUARTER-TURN LATCHES

PADLOCKABLE - 'L' HANDLE

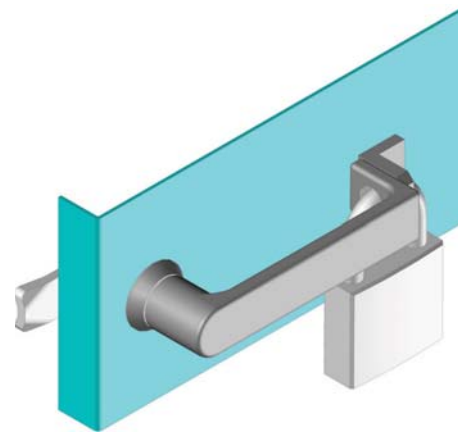
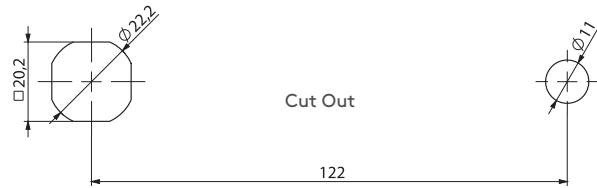
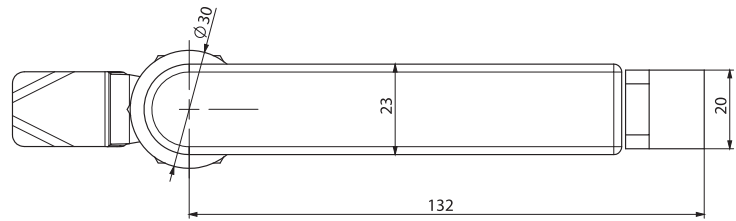
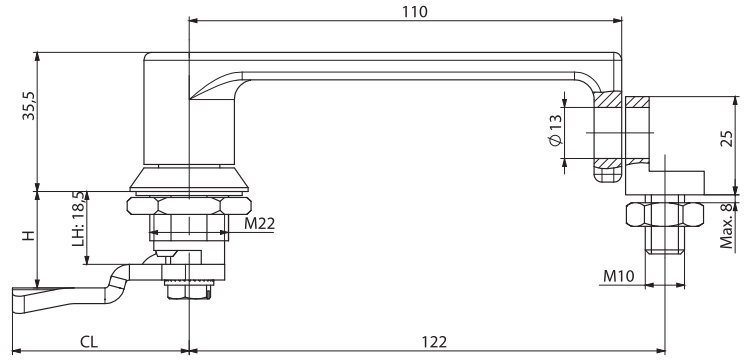
211



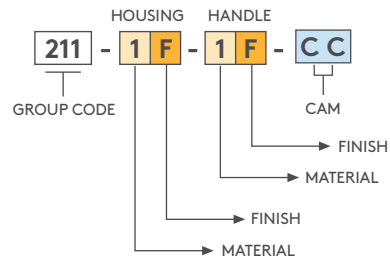
- Padlockable steel lock can be used for outdoor enclosures.
- Suitable for hygienic cabinets and electrical enclosures.

**MATERIAL**

HOUSING: Zinc Alloy DIN-EN 1774-ZnAl4Cu1  
 HANDLE: Zinc Alloy DIN-EN 1774-ZnAl4Cu1  
 CAM: Steel  
 GASKET: Rubber



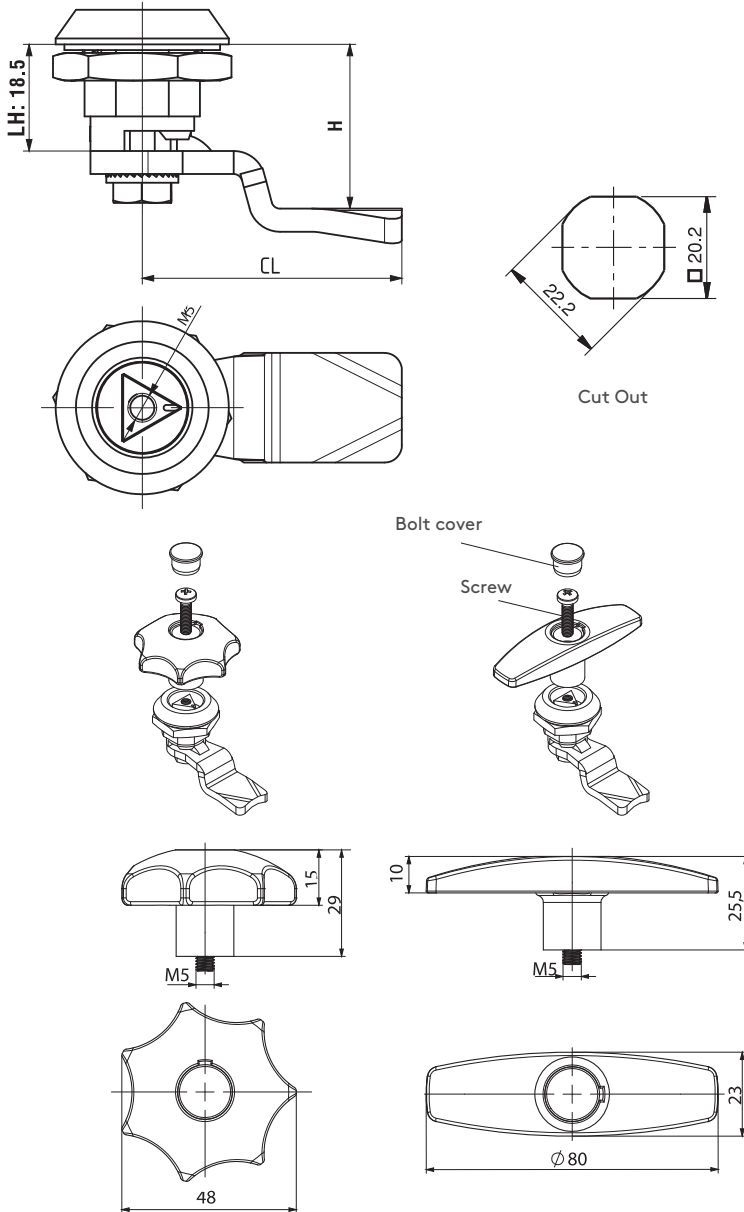
**PRODUCT CODE**



MATERIAL	M	FINISH	F
Zinc Alloy	1	Chrome	1
		Black coated	2

For cams please check pages: 170 - 171

# QUARTER-TURN LATCHES



960

## QUARTER TURN - MODULER HANDLE



- Two different Plastic handle options are available.
- Handles and lock can be ordered separately and assembled by single screw

**MATERIAL**  
 HOUSING: Zinc Alloy or PA6 GFR  
 DRIVER/TOOL: Zinc Alloy DIN-EN 1774-ZnAl4Cu1  
 CAM: Steel  
 GASKET: Rubber

## HANDLES

Star handle



320.02.218

T handle



320.02.219

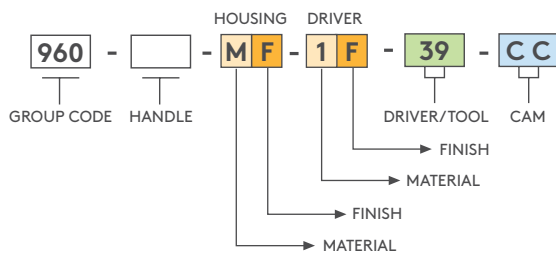
- Handles can be order separately

**MATERIAL**  
 HANDLE : PA6 GFR 30  
 COVER : PA6 GFR 30  
 BOLT : STEEL

**Note:** Supplied with screw and cover

For cams please check pages: 170 - 171

### PRODUCT CODE



MATERIAL	M	FINISH	F
Zinc Alloy	1	Chrome	1
Plastic	2	Black coated	2
		No finish	0

SPECIFICATIONS	HANDLE
No handle	00
Star handle	01
'T' handle	02

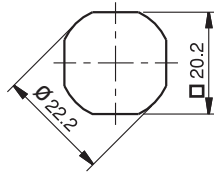
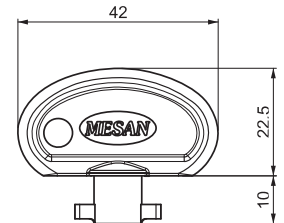
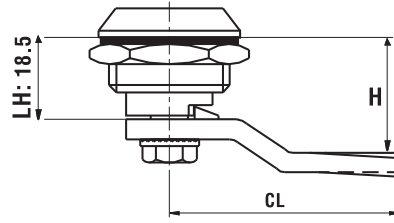
# ▶ QUARTER-TURN LATCHES

## SECURE QUARTER TURN

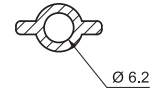
**361**



- RoHS
- IP 65  
NEMA 4
- 



Cut Out



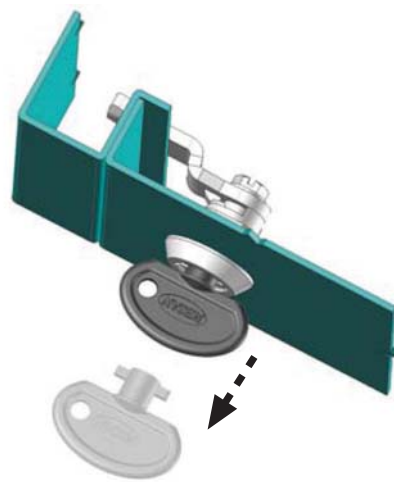
- When latch is open, key functions as a knob
- Key is specific to this latch and should be ordered at same time

**MATERIAL**

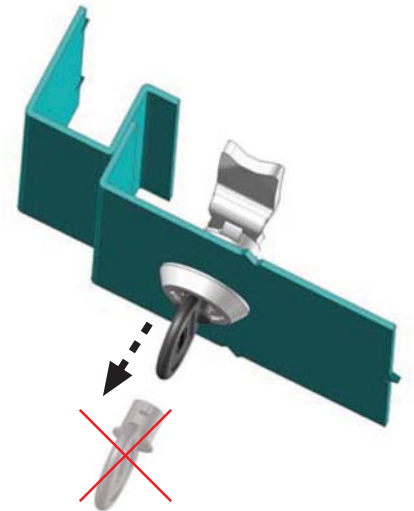
HOUSING: Zinc Alloy DIN-EN 1774-ZnAl4Cu1  
 DRIVER/TOOL: Zinc Alloy DIN-EN 1774-ZnAl4Cu1  
 CAM: Steel  
 GASKET: Rubber

**FINISH**

Chrome or Black coated



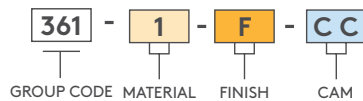
Key is removable at locked position



Key is not removable at open position; it works like a knob

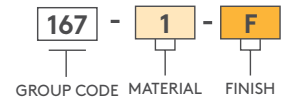
**Latch**

**PRODUCT CODE**



**Key**

**PRODUCT CODE**



MATERIAL	M
Zinc Alloy	1

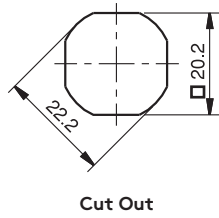
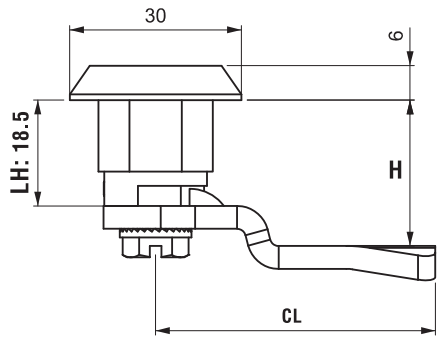
FINISH	F
Chrome	1
Black coated	2

For cams please check pages: 170 - 171



**461**

**SECURE QUARTER TURN**



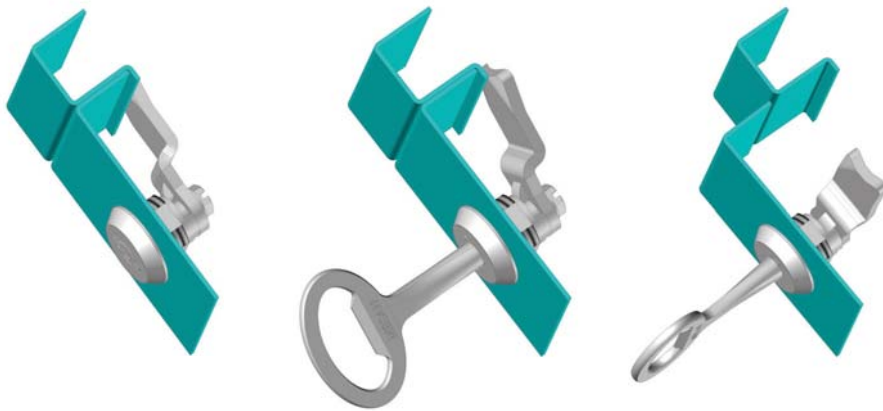
RoHS



- When latch is open, key functions as a knob.

**MATERIAL**

HOUSING: Zinc Alloy DIN-EN 1774-ZnAl4Cu1  
 DRIVER/TOOL: Zinc Alloy DIN-EN 1774-ZnAl4Cu1  
 CAM: Steel  
 GASKET: Rubber



Key is removable at locked position

Key is not removable at open position, it works like a knob.

DRIVER/TOOL		
5 mm Double bit	8 mm Square	Fiat
15	96	95

**SPECIAL KEYS**

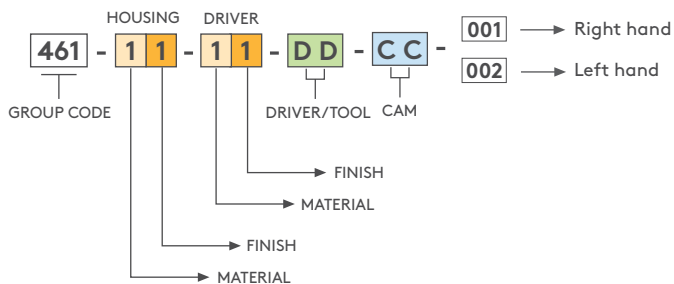


**368-96**  
8 mm Square



**368-95**  
Fiat

**PRODUCT CODE**



<b>MATERIAL</b>	<b>M</b>	<b>FINISH</b>	<b>F</b>
Zinc Alloy	1	Chrome	1

For cams please check pages: 170 - 171



# ▶ QUARTER-TURN LATCHES

## QUARTER TURN – EASY FIXING

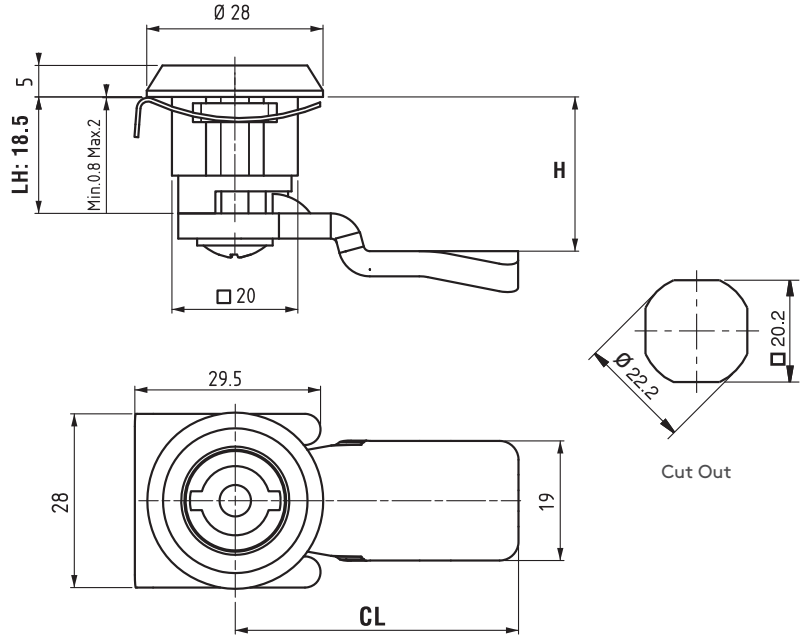
**560**



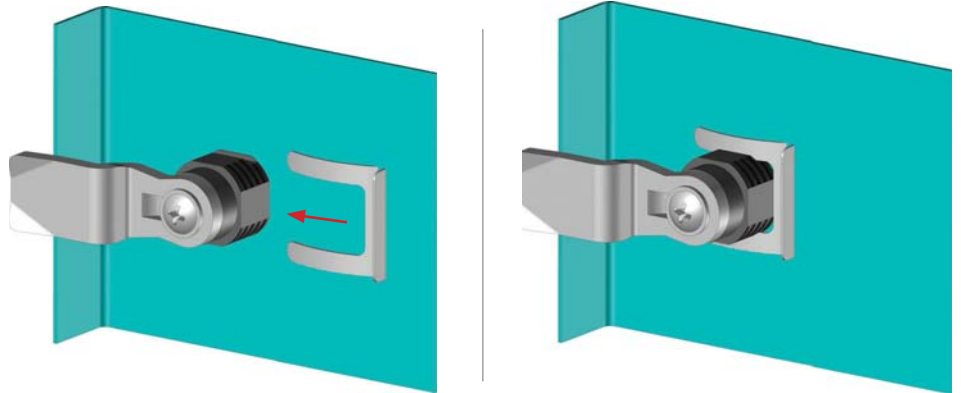
- Easy assembly by clips
- Specially designed internal spring provides 1.5 mm torsion
- Can be used for panel thickness 0.8 to 2 mm
- Please contact Essentra Components for special colors

### MATERIAL

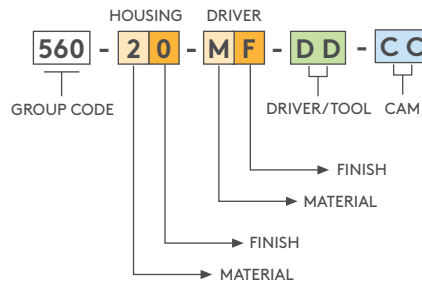
HOUSING: PA6 GFR 30  
 DRIVER/TOOL: Zinc Alloy DIN-EN 1774-ZnAl4Cu1 or PA6 GFR 30  
 CAM: Steel or Plastic



Easy fixing



### PRODUCT CODE

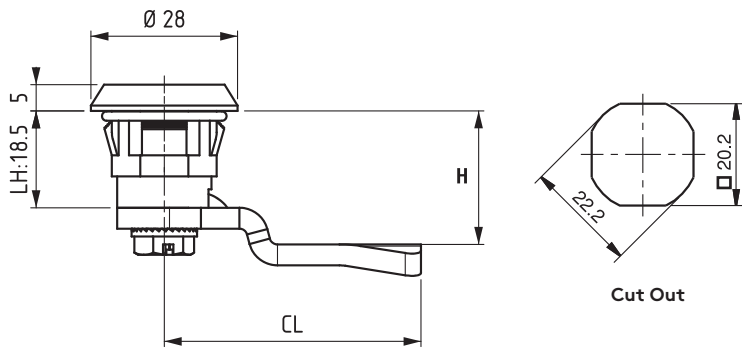


MATERIAL	M	FINISH	F
Zinc Alloy	1	Chrome	1
Plastic	2	Black coated	2
		No finish	0

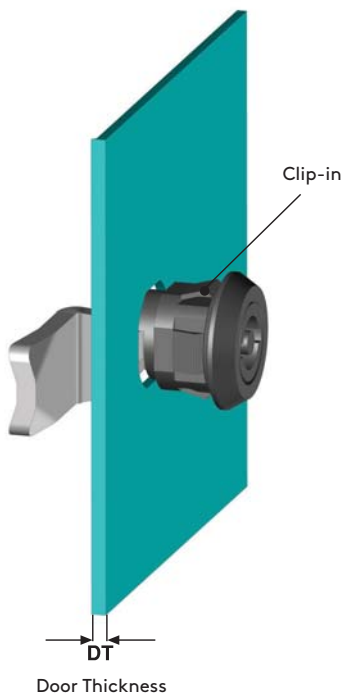
- For cams please check pages: 170 - 171
- For drivers please check page: 194
- For keys please check pages : 189 - 191



## 660 QUARTER TURN – EASY FIXING



- Easy assembly by clips
- Mounting nut not required.
- Specially designed internal spring provides 1.5 mm torsion
- Can be used for panel thickness 0.8 to 2 mm
- Please contact Essentra Components for special colors



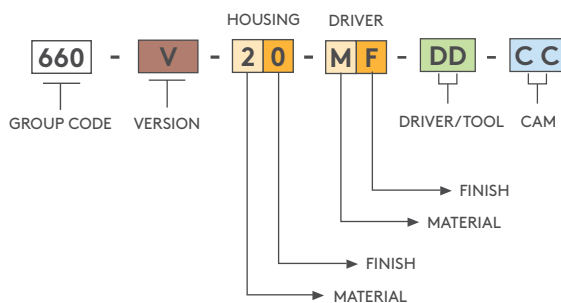
Door Thickness	Version
for 0.8 -1.2 mm panels	1
for 1.2 -1.5 mm panels	2
for 1.5 - 2 mm panels	3 *

\* in this version IP 65 is not available

### MATERIAL

HOUSING: PA6 GFR 30  
 DRIVER/TOOL: Zinc Alloy DIN-EN 1774-ZnAl4Cu1 or PA6 GFR 30  
 CAM: Steel or Plastic  
 GASKET: Rubber

### PRODUCT CODE



MATERIAL	M
Zinc Alloy	1
Plastic	2

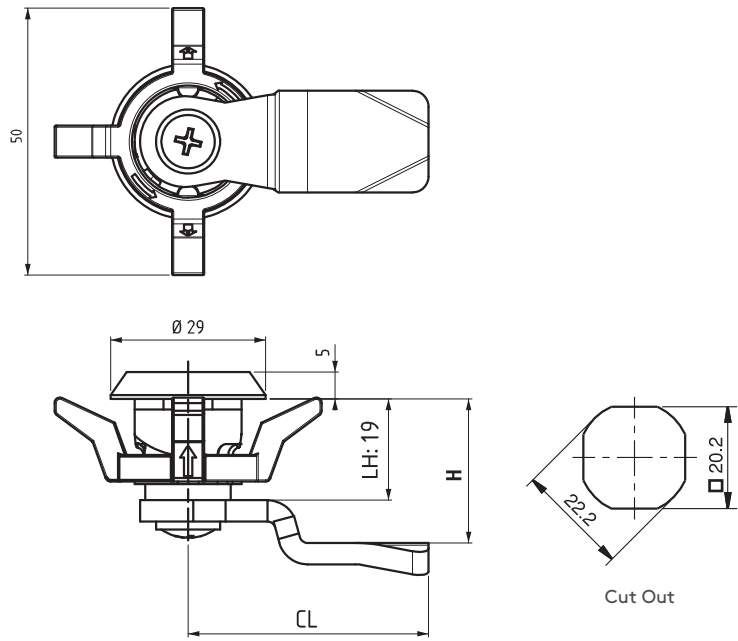
FINISH	F
Chrome	1
Black coated	2
No finish	0

- For cams please check pages: 170 - 171
- For drivers please check page: 194
- For keys please check pages : 189 - 191

# ▶ QUARTER-TURN LATCHES

## QUARTER TURN – EASY FIXING

661



- Easy assembly - without tools
- Standard cut out
- 2.0 mm maximum panel thickness

### MATERIAL

HOUSING: Polyamide DIN-EN ISO 1043-1 PA6 GFR 30

DRIVER/TOOL: PA6 GFR 30

CAM: Steel

### DRIVERS

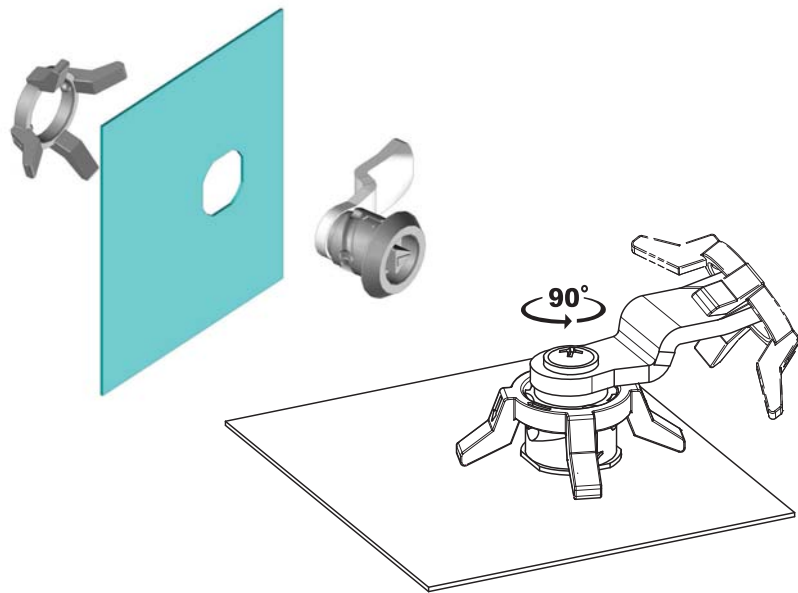
#### 5 mm Double bit



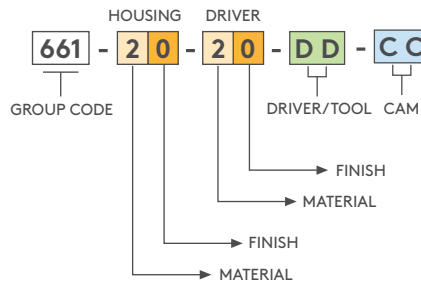
#### 8 mm Square



#### 9 mm Triangular



### PRODUCT CODE



**⚠ Note:** For different drivers please contact Essentra

MATERIAL	M	FINISH	F
Plastic	2	No finish	0

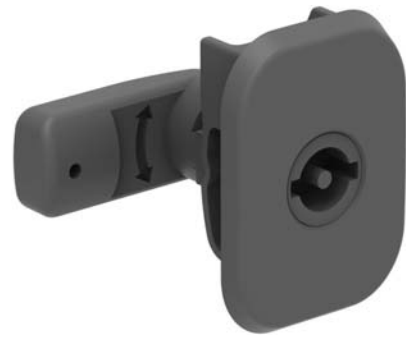
For cams please check pages: 172 - 173

For keys please check pages : 189 - 191



**761**

## QUARTER TURN – EASY FIXING



- Easy assembly by Plastic clips
- Applicable on different panel thicknesses
- Various driver options are possible
- Logo application upon request
- Easy assembly - without tools
- Standard cut out

### MATERIAL

### MATERIAL

HOUSING: Polyamide DIN-EN ISO 1043-1 PA6 GFR 30

DRIVER/TOOL: PA6 or Zinc Alloy

CAM: Plastic or steel



320.02.221

**BOLT COVER** (For grounding)

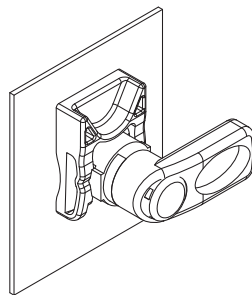
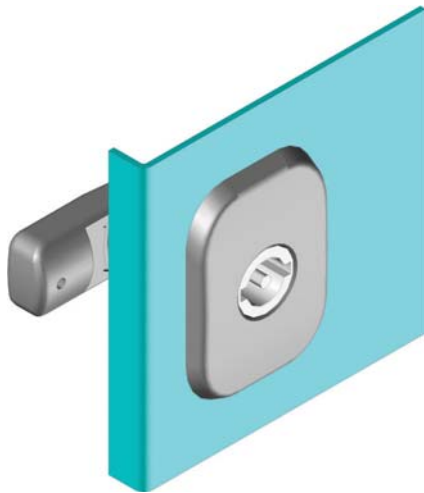
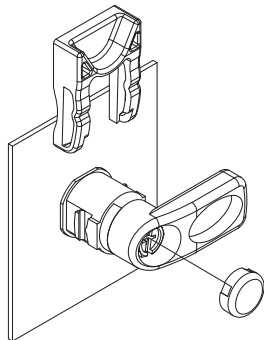
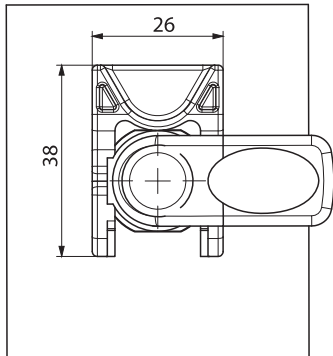
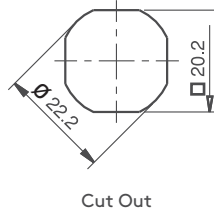
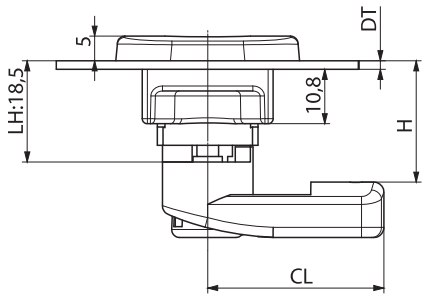
- Can order separately (only for Plastic cams)

**Note:** For different colors please contact Essentra

For cams please check pages: 170 - 171

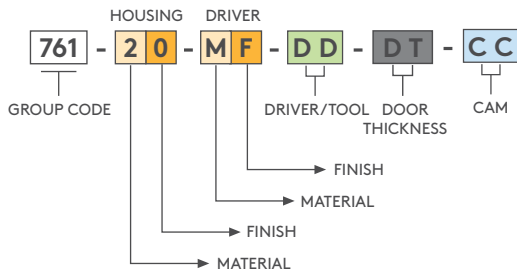
For drivers please check page: 194

For keys please check pages : 189 - 191



SPECIFICATIONS		DT
1.2 -1.8 mm panel thickness		12
1.8 -2.3 mm panel thickness		23

### PRODUCT CODE



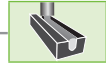
MATERIAL	M
Zinc Alloy	1
Plastic	2

FINISH	F
Chrome	1
Black coated	2
No finish	0

# ▶ QUARTER-TURN LATCHES

QUARTER TURN - SPRING LOADED

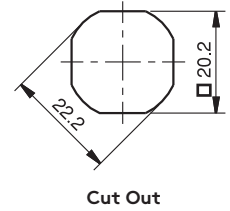
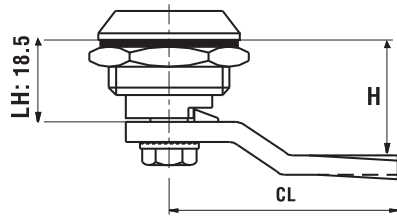
760



- Specially designed internal spring provides 1.5mm of compression.
- Cam does not rotate beyond quarter turn due to stop lip.

**MATERIAL**

HOUSING: PA6 GFR 30  
 DRIVER/TOOL: Zinc Alloy DIN-EN 1774-ZnAl4Cu1 or PA6 GFR 30  
 CAM: Steel or Plastic  
 GASKET: Polyurethane



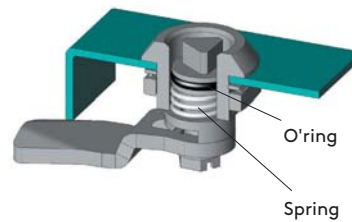
760 20-11-DD-CC  
 DD: Zinc Alloy - Chrome

760 20-12-DD-CC  
 DD: Zinc Alloy - Black C.

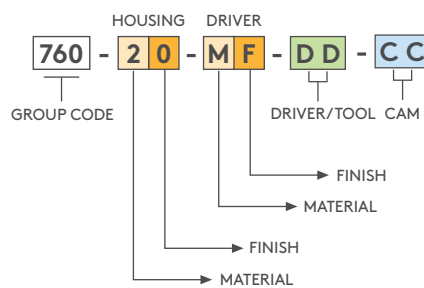
760 20-20-DD-CC  
 DD: Plastic



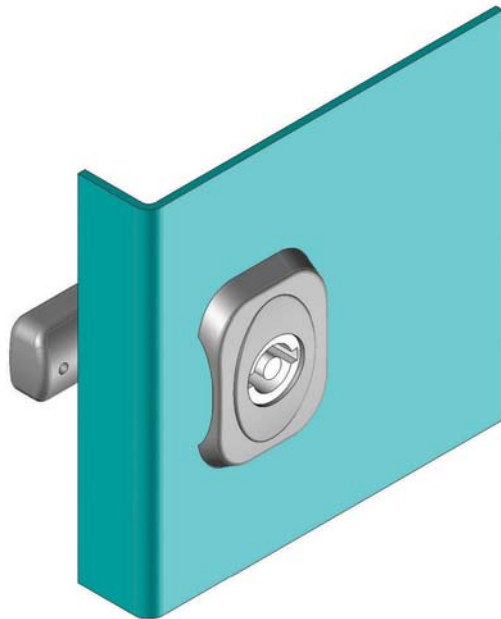
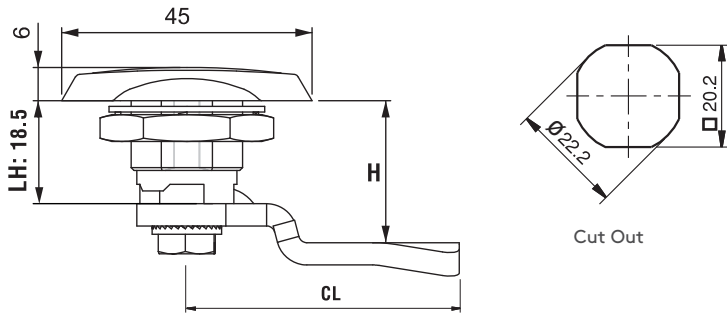
**Sealing in plastic housing.**  
 This application aims to improve the sealing level in quarter turns.



**PRODUCT CODE**



- For cams please check pages: 170 - 171
- For drivers please check page: 194
- For keys please check pages : 189 - 191



**561** KNOB LATCH (Plastic)

- RoHS
- IP 65 NEMA 4
- 

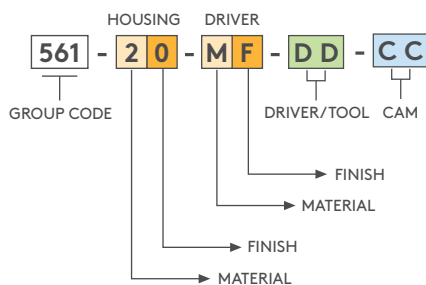


- Designed to act as a knob.
- For special colors, please contact Essentra

**MATERIAL**

HOUSING: Polyamide DIN-EN ISO 1043-1 PA6 GFR 30  
 DRIVER/TOOL: Zinc Alloy or PA6  
 NUT: Zinc Alloy or PA6  
 CAM: Steel or Plastic

**PRODUCT CODE**



MATERIAL	M	FINISH	F
Zinc Alloy	1	Chrome	1
Plastic	2	Black coated	2
		No finish	0

- For cams please check pages: 170 - 171
- For drivers please check page: 194
- For keys please check pages : 189 - 191

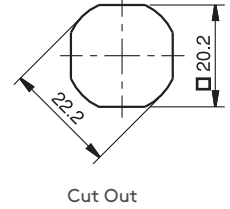
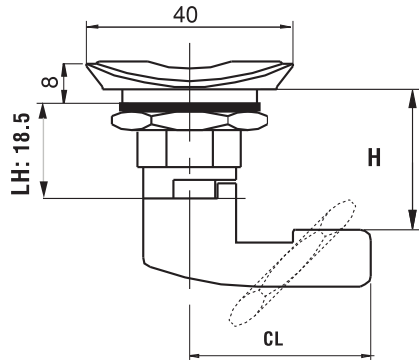
# ▶ QUARTER-TURN LATCHES

## KNOB LATCH (Plastic)

**161**



- RoHS
- IP 65  
NEMA 4
- 



- Designed to act as a knob
- For special colors, please contact Essentra

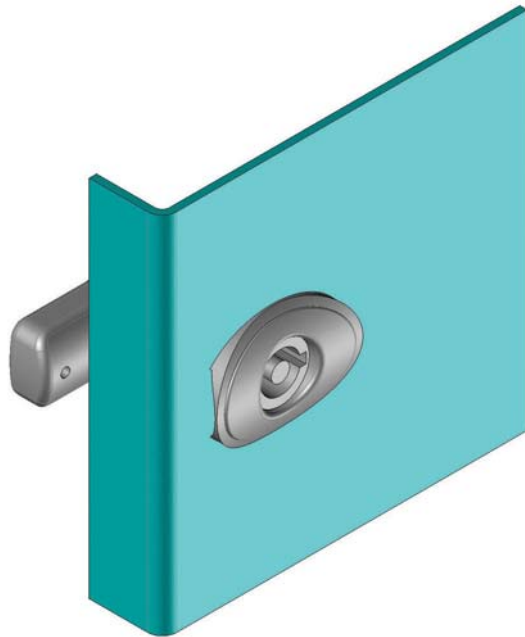
**MATERIAL**

HOUSING: Polyamide DIN-EN ISO 1043-1 PA6 GFR 30

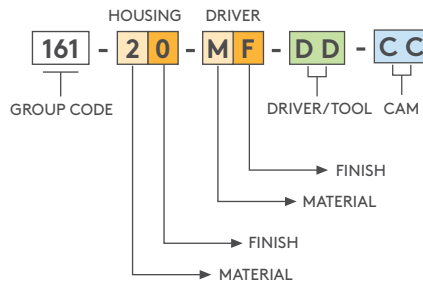
DRIVER/TOOL: Zinc Alloy or PA6

NUT: Zinc Alloy or PA6

CAM: Steel or Plastic



**PRODUCT CODE**



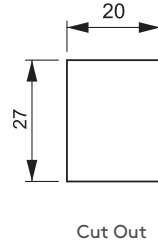
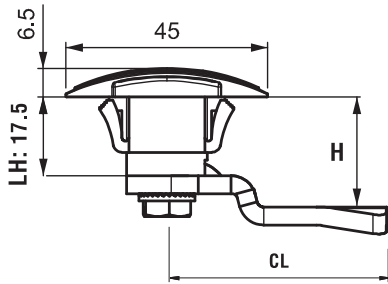
MATERIAL		M	FINISH		F
Zinc Alloy		1	Chrome		1
Plastic		2	Black coated		2
			No finish		0

- For cams please check pages: 170 - 171
- For drivers please check page: 194
- For keys please check pages : 189 - 191



261

KNOB LATCH (Plastic)



Cut Out



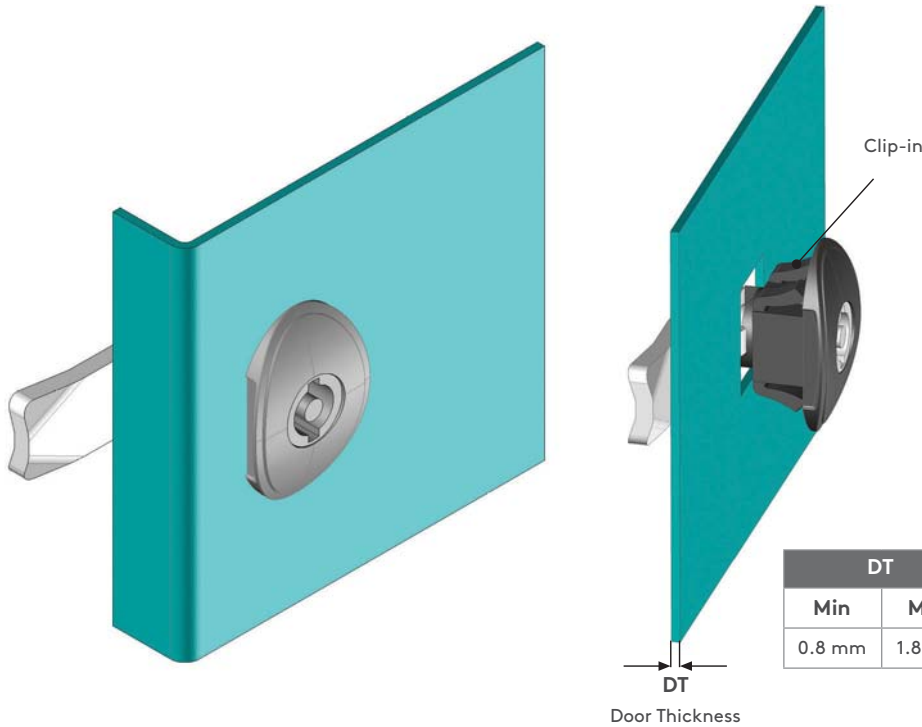
- Clip fixing for easy assembly
- Mounting nut not required
- Special 20 mm x 26 mm cut out
- There is no IP 65 version of this latch
- 1.8 mm maximum panel thickness

**MATERIAL**

HOUSING: Polyamide DIN-EN ISO 1043-1 PA6 GFR 30

DRIVER/TOOL: Zinc Alloy or PA6

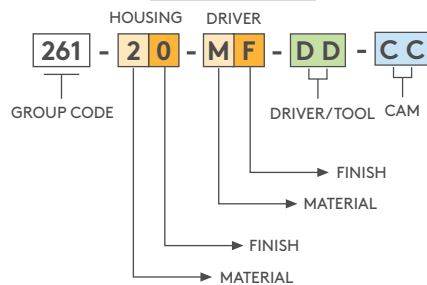
CAM: Steel or Plastic



DT	
Min	Max
0.8 mm	1.8 mm

Door Thickness

**PRODUCT CODE**



MATERIAL	M	FINISH	F
Zinc Alloy	1	Chrome	1
Plastic	2	Black coated	2
		No finish	0

- For cams please check pages: 170 - 171
- For drivers please check page: 194
- For keys please check pages : 189 - 191



# ▶ QUARTER-TURN LATCHES

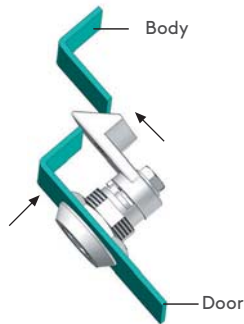
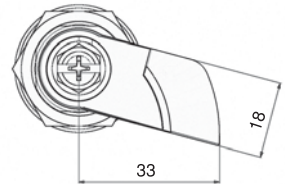
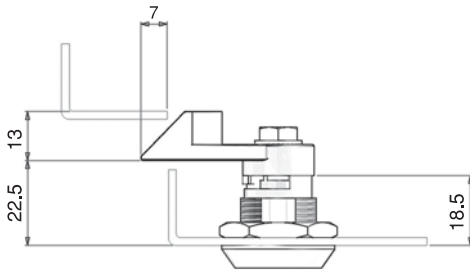
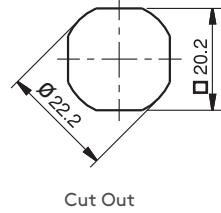
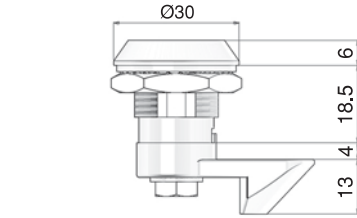
## QUARTER TURN – SPRING CAM

160



- Spring-loaded cam provides depress-to-latch action
- Distance between inside of latch face and front of cam fixed at 22.5 mm
- There is no IP 65 version of this latch, due to spring loaded cam

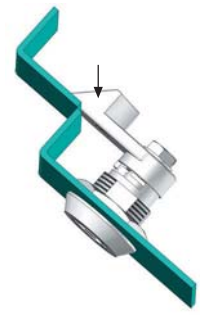
**MATERIAL**  
**HOUSING:** Zinc Alloy DIN-EN 1774-ZnAl4Cu1  
**DRIVER/TOOL:** Zinc Alloy DIN-EN 1774-ZnAl4Cu11  
**GASKET:** Rubber  
**FINISH**  
 Chrome



**Position 1**  
Push the door

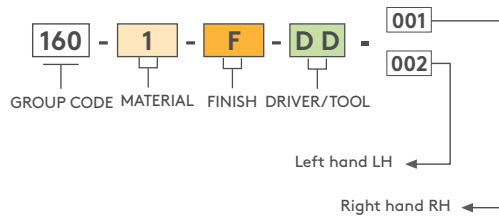


**Position 2**  
Cam will move upright when touches the body



**Position 3**  
When the cam is free, cam will move down right by spring and the door will latch

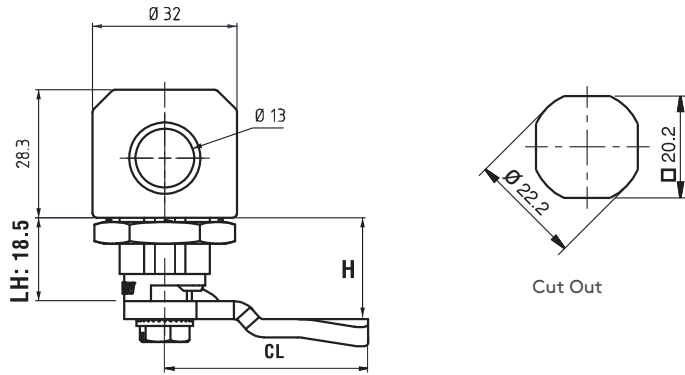
### PRODUCT CODE



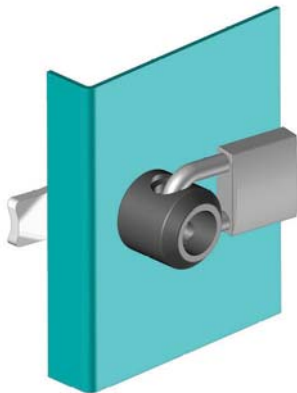
MATERIAL		M	FINISH		F
Zinc Alloy		1	Chrome		1
			Black coated		2

For drivers please check page: 194

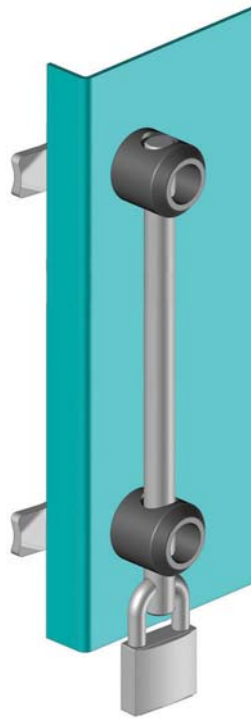
For keys please check pages : 189 - 191



Application 1



Application 2



260

QUARTER TURN -  
PADLOCKABLE

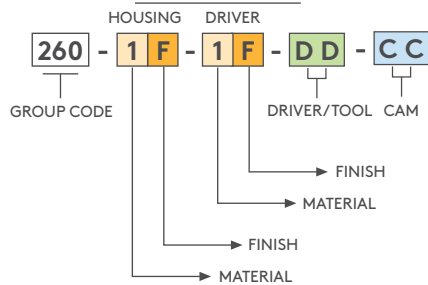


- Padlockable version
- Can be used with different drivers

**MATERIAL**

HOUSING: Zinc Alloy DIN-EN 1774-ZnAl4Cu1  
 DRIVER/TOOL: Zinc Alloy DIN-EN 1774-ZnAl4Cu1  
 CAM : Steel  
 GASKET: vvRubber

**PRODUCT CODE**



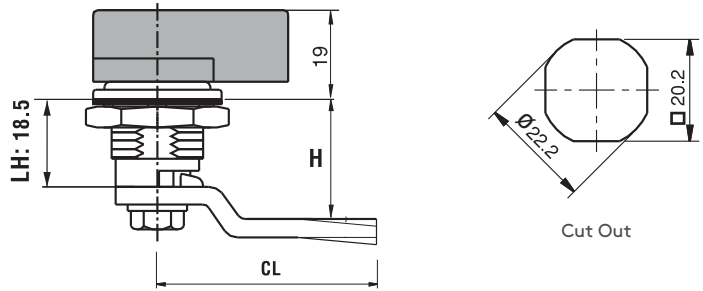
MATERIAL	M	FINISH	F
Zinc Alloy	1	Chrome	1
		Black coated	2

- For cams please check pages: 170 - 171
- For drivers please check page: 194
- For keys please check pages : 189 - 191

# ▶ QUARTER-TURN LATCHES

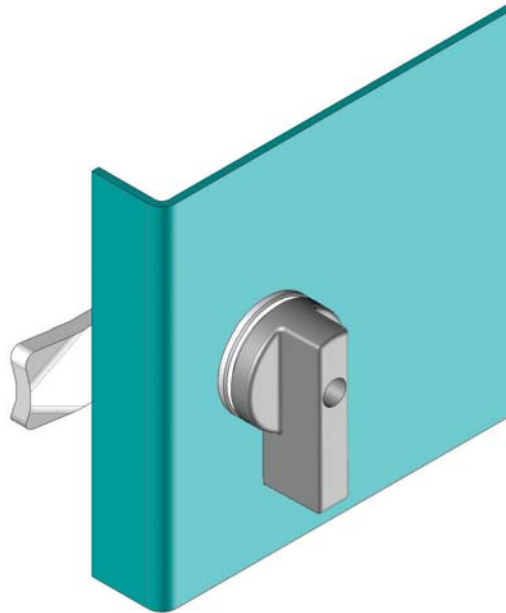
## LEVER LOCK CAM LATCH



162



- Paco type knob

MATERIAL  
 HOUSING: Zinc Alloy DIN-EN  
 1774-ZnAl4Cu1  
 KNOB: PA6 GFR 30



 For cams please check pages: 170 - 171  
 For rods please check pages: 178 - 188

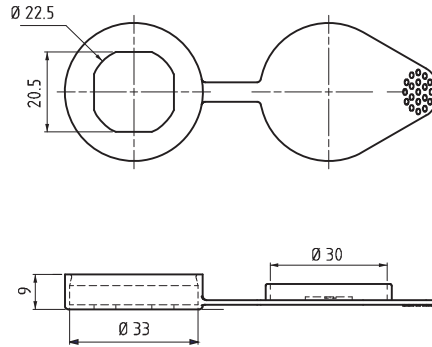
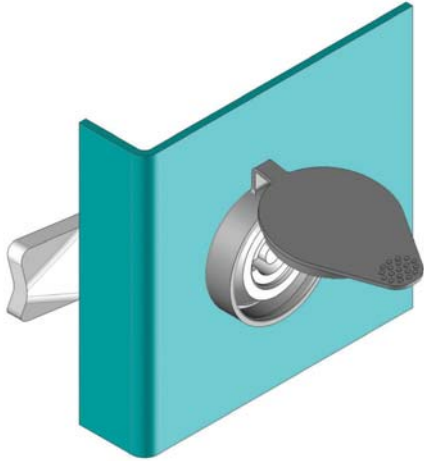
### PRODUCT CODE

162 - CC  
 GROUP CODE      CAM



060 A7

DUST CAP

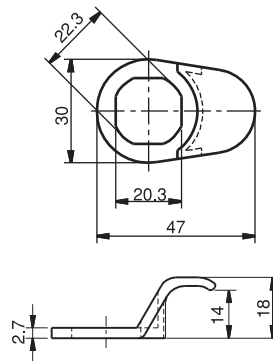


- Recommended when dust and humidity protection required
- Can be ordered separately

**MATERIAL**  
Polyurethane

060 A2

LATCH HANDLE



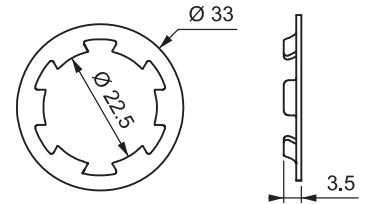
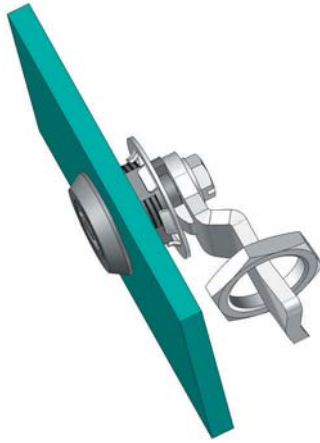
- Reduces the LH and H dimensions by 1 mm. Choose CH -1 mm for cam selection compared to unused

**MATERIAL**  
PA6 GFR 30

## ▶ QUARTER-TURN LATCHES

### FIXING DEVICE

060 A3



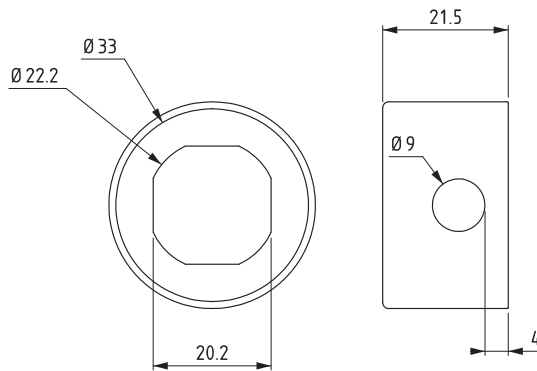
- Prevents rotation
- For applications subject to vibration

**MATERIAL**  
Steel

**FINISH**  
Zinc plated

### PADLOCK ADAPTER

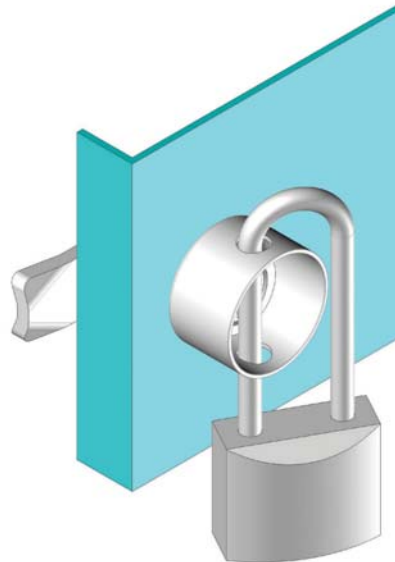
060 A8



- Max. shackle diameters is 8 mm
- Reduces the LH and H dimensions by 2 mm. Choose CH -2 mm for cam selection compared to unused

**MATERIAL**  
Steel

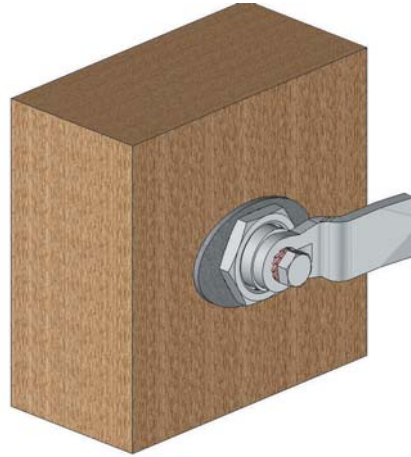
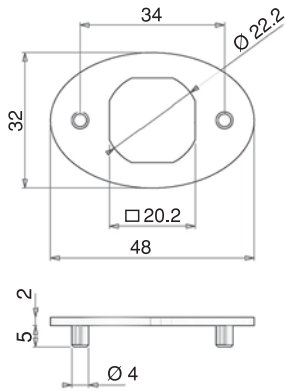
**FINISH**  
Zinc plated





060 A5

FIXING DEVICE



- Fixing device for wooden applications

**MATERIAL**

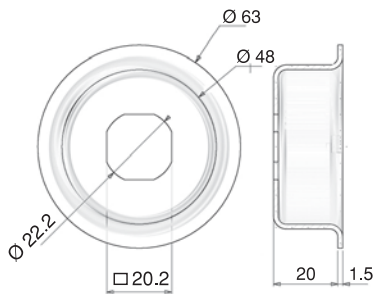
Zinc Alloy DIN-EN 1774-ZnAl4Cu1

**FINISH**

Zinc plated

060 A6

SPACER



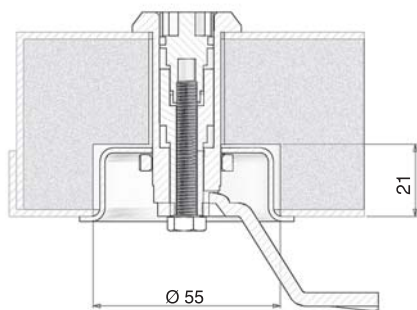
- Allows latch to be fitted to thick doors
- Easy fixing for isolated doors

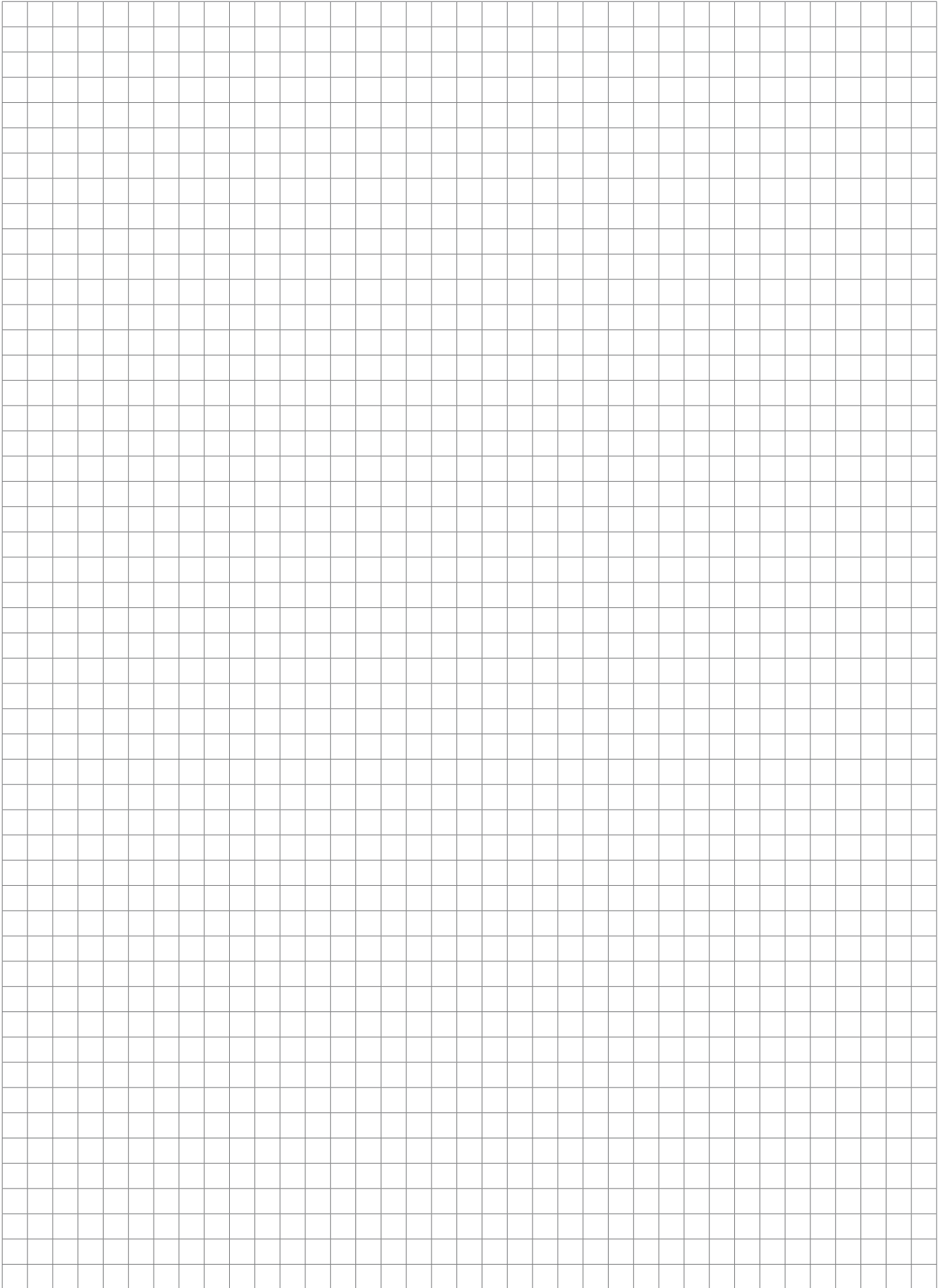
**MATERIAL**

Steel

**FINISH**

Zinc plated





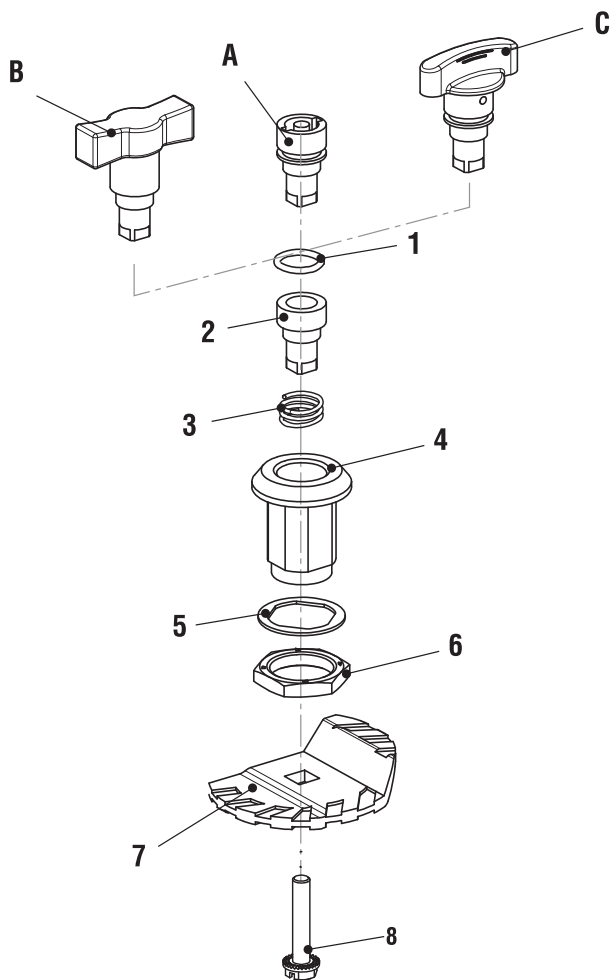


ASSEMBLY

QUARTER-TURN LATCHES

064

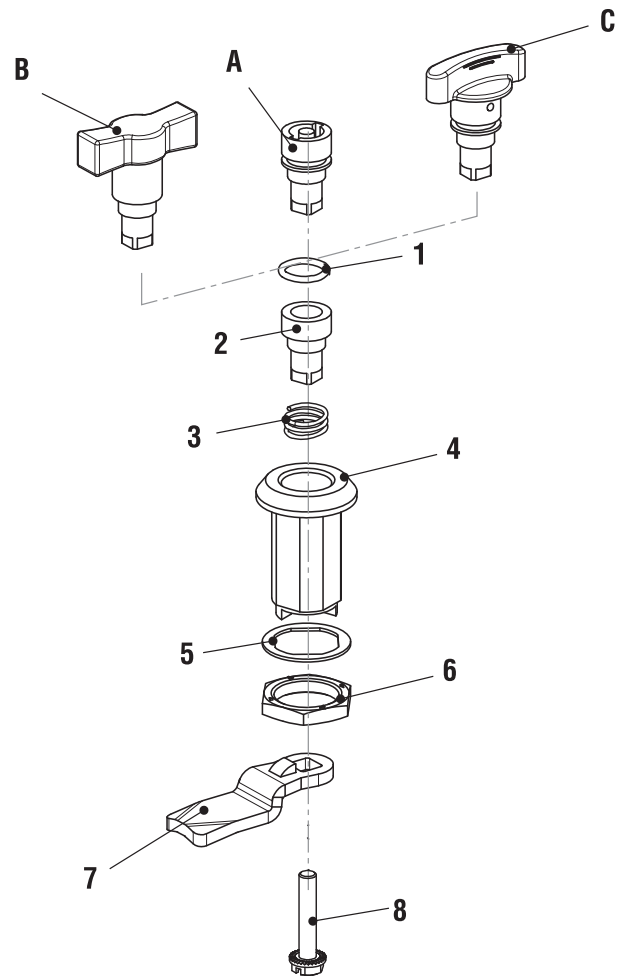
Stepped cam



A: Driver (060 system), Zinc Alloy  
 B: Knob (062 system), Zinc Alloy  
 C: Knob (362 system), Zinc Alloy

- 1: O-ring (Ip 65)
- 2: Adapter
- 3: Spring
- 4: Housing (Ø 32), Zinc Alloy
- 5: Sealing washer
- 6: Nut, Zinc Alloy
- 7: Stepped cam
- 8: Screw M6 (COMBI)

Quarter turn



A: Driver (060 system), Zinc Alloy  
 B: Knob (062 system), Zinc Alloy  
 C: Knob (362 system), Zinc Alloy

- 1: O-ring (Ip 65)
- 2: Adapter
- 3: Spring
- 4: Housing (Ø 32), Zinc Alloy
- 5: Sealing washer
- 6: Nut, Zinc Alloy
- 7: Cam
- 8: Screw M6 (COMBI)



# ▶ QUARTER-TURN LATCHES

## STEPPED COVER LATCH

**064**



- RoHS
- IP 65  
NEMA 4
- 

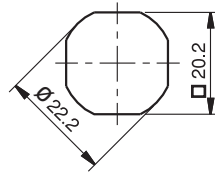
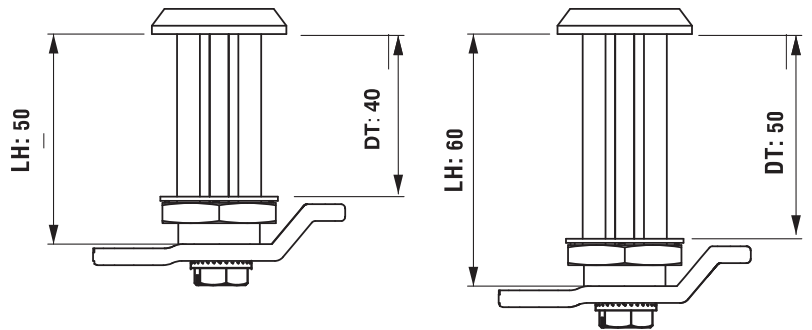
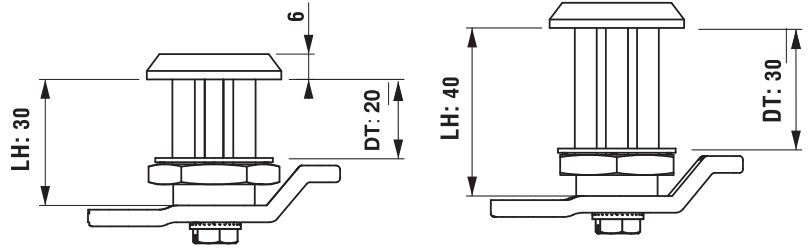
- For soundproof or isolated doors
- Tight closure achievable with 270° cam rotation and stepped cam
- Latch supplied with standard housing

**MATERIAL**

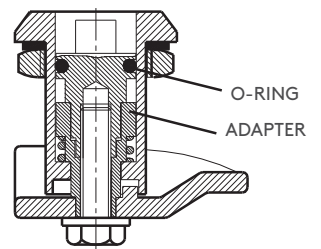
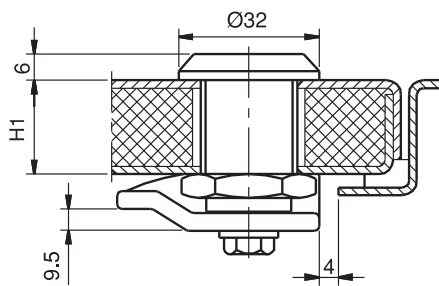
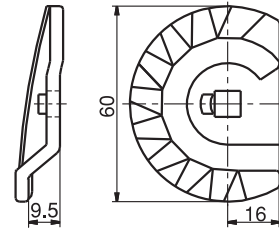
HOUSING: Zinc Alloy DIN-EN 1774-ZnAl4Cu1  
 DRIVER/TOOL: Zinc Alloy DIN-EN 1774-ZnAl4Cu1  
 CAM: Zinc Alloy DIN-EN 1774-ZnAl4Cu1  
 GASKET: Rubber

**FINISH**

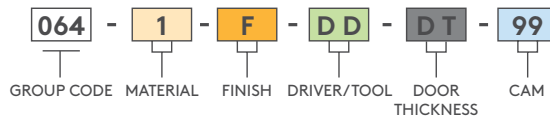
Chrome or Black coated



Cut Out



**PRODUCT CODE**



MATERIAL		M	FINISH		F
Zinc Alloy		1	Chrome		1
			Black coated		2

For drivers please check pages: 194

For keys please check pages : 189 - 191



064

QUARTER TURN –  
SPRING LOADED



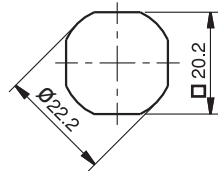
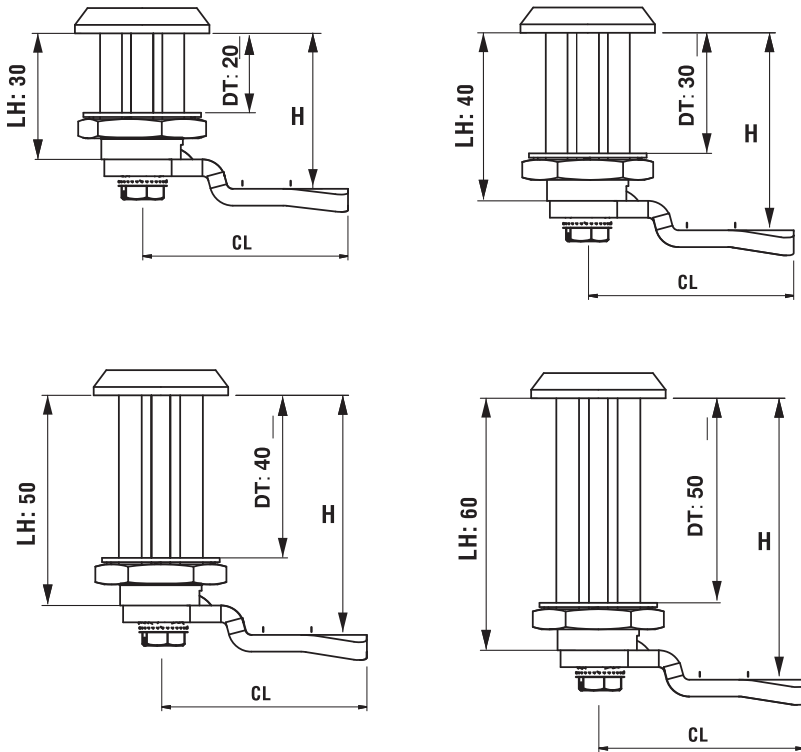
- Stainless steel version: page: 467
- For soundproof or isolated doors
- Supplied with standard housing

**MATERIAL**

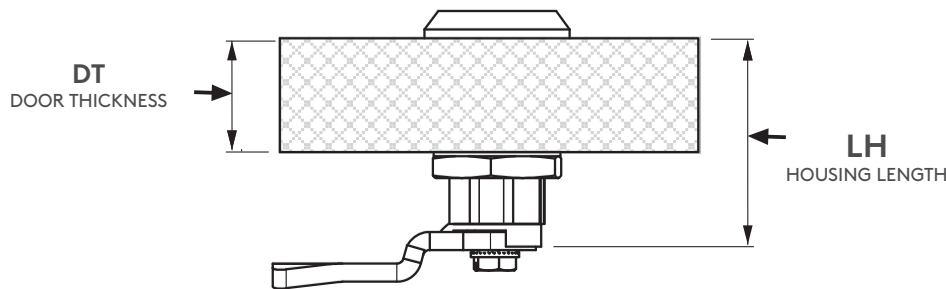
HOUSING: Zinc Alloy DIN-EN 1774-ZnAl4Cu1  
 DRIVER/TOOL: Zinc Alloy DIN-EN 1774-ZnAl4Cu1  
 CAM: Steel  
 GASKET: Rubber

**FINISH**

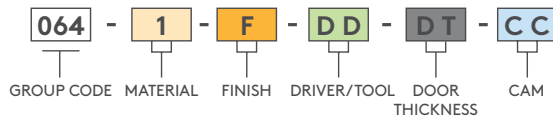
Chrome or Black coated



Cut Out



**PRODUCT CODE**



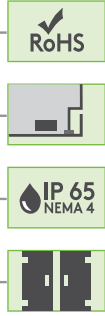
MATERIAL	M	FINISH	F
Zinc Alloy	1	Chrome	1
		Black coated	2

- For cams please check pages: 170 - 171
- For drivers please check page: 194
- For keys please check pages : 189 - 191

# ▶ QUARTER-TURN LATCHES

## QUARTER TURN – WING KNOB

064



- For soundproof or isolated doors
- Supplied with standard housing

### MATERIAL

HOUSING: Zinc Alloy DIN-EN 1774-ZnAl4Cu1

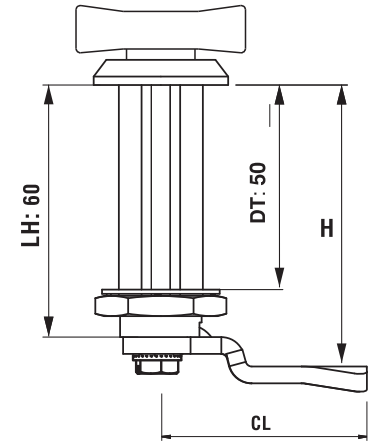
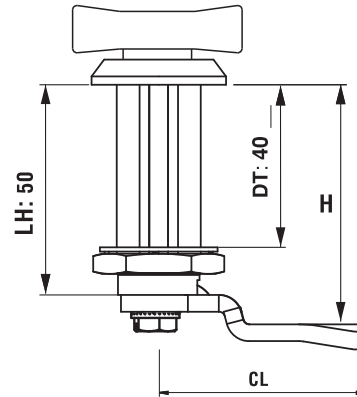
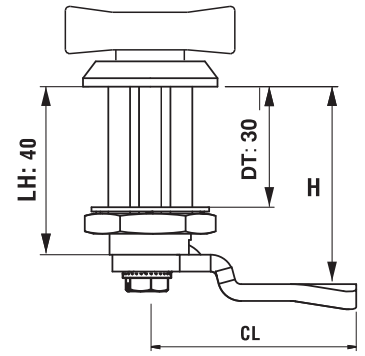
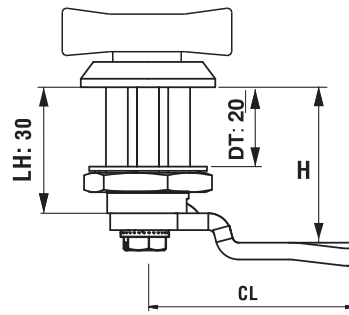
KNOB: Zinc Alloy DIN-EN 1774-ZnAl4Cu1

CAM: Steel

GASKET: Rubber

### FINISH

Chrome or Black coated

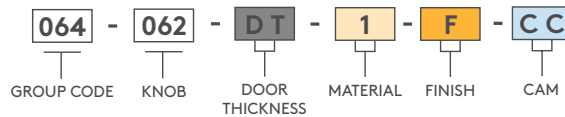


064 062-DT-1-1-CC  
Zinc Alloy Chrome

064 062-DT-1-2-CC  
Zinc Alloy Black Coated



### PRODUCT CODE



MATERIAL	M
Zinc Alloy	1

FINISH	F
Chrome	1
Black coated	2

For cams please check pages: 170 - 171

For rods please check pages: 178 - 188



064

QUARTER TURN – WING KNOB

- RoHS
- IP 65  
NEMA 4
- 



- For sound-proof or isolated doors
- Supplied with standard housing

**MATERIAL**

HOUSING: Zinc Alloy DIN-EN

1774-ZnAl4Cu1

KNOB:

Zinc Alloy DIN-EN

1774-ZnAl4Cu1

CAM:

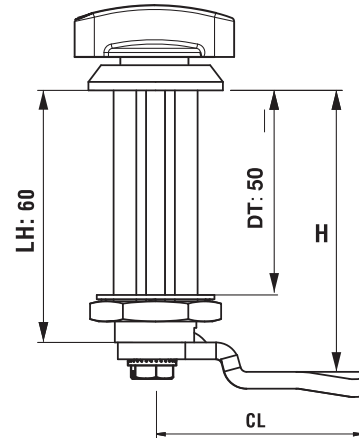
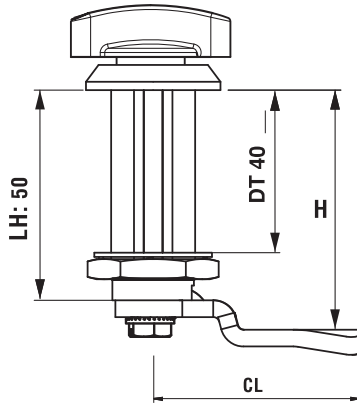
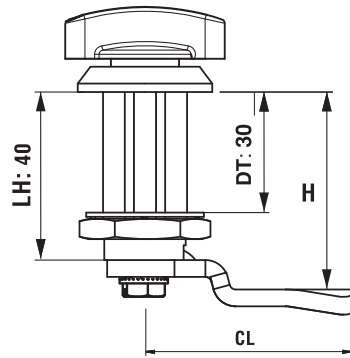
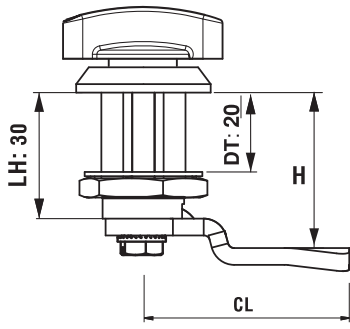
Steel

GASKET:

Rubber

**FINISH**

Chrome or Black coated



064 362-DT-1-1-CC

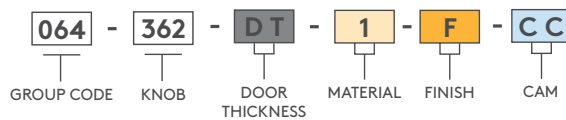
Zinc Alloy Chrome

064 362-DT-1-2-CC

Zinc Alloy Black Coated



**PRODUCT CODE**



MATERIAL	M	FINISH	F
Zinc Alloy	1	Chrome	1
		Black coated	2

- For cams please check pages: 170 - 171
- For rods please check pages: 178 - 188

# ▶ QUARTER-TURN LATCHES

## COMPRESSION LATCH

040



- RoHS
- IP 65  
NEMA 4
- 
- 
- 

- **Stainless Steel version: page 470**
- Used for cabinets that require better sealing under vibrating conditions
- Provides 6 mm of compression
- Provides noise isolation
- Alternative drivers/cams available
- Standard cams without stopper required for these latches
- The latch has been tested according to the DIN EN 61373 Category 1-B for vibration and shock.
- Working Temperature Range: -50/+80 C
- M22 Nut : should be fixed with 60 Nm
- M10 Nut: should be fixed with 10 Nm
- Threadlocker is applied to the nut threads to get extra fastness against vibration and shock
- Max load capacity: 562 N

### MATERIAL

HOUSING: Zinc Alloy DIN-EN 1774-ZnAl4Cu1

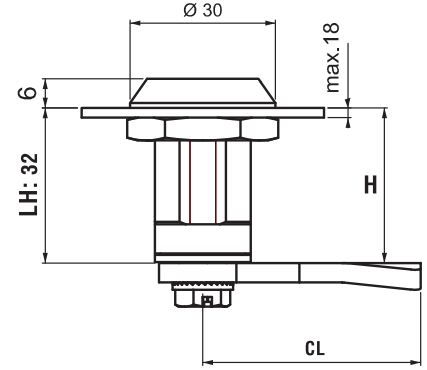
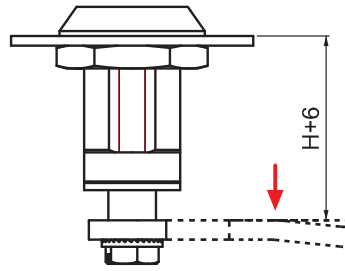
DRIVER/TOOL: Zinc Alloy DIN-EN 1774-ZnAl4Cu1

CAM: Steel

GASKET: Rubber

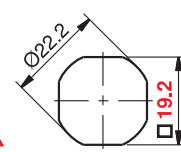
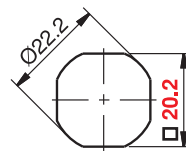
### FINISH

Chrome or Black coated



V :1

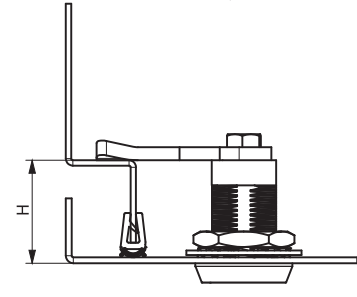
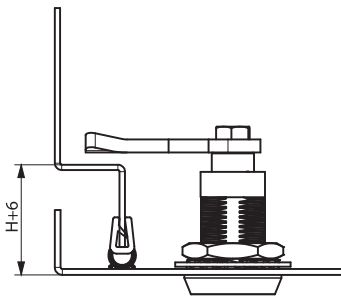
V :3



Standard  
Cut Out

Attention

US  
Cut Out

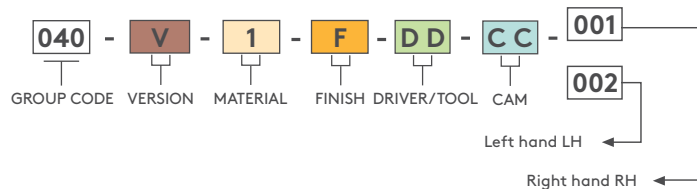


The first 90° of key rotation turns the cam to locking position

Further key rotation 180° applies 6 mm compression

KNOB	DRIVER/TOOL									
	3 mm Double bit	5 mm Double bit	Tubular key	8 mm Hexagon	8 mm Hexagon with security pin	3 mm Double bit	5 mm Double bit	Tubular key	8 mm Hexagon	8 mm Hexagon with security pin
	DD 13	DD 15	DD 93	DD 68	DD 69	DD 13	DD 15	DD 93	DD 68	DD 69
	Railway	8 mm Square	2X4 mm Slot	7 mm Triangular	8 mm Triangular	DD 88	DD 28	DD 42	DD 37	DD 38
DD 94	DD 88	DD 28	DD 42	DD 37	DD 38					

### PRODUCT CODE

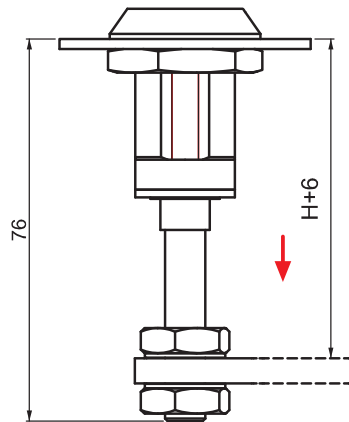
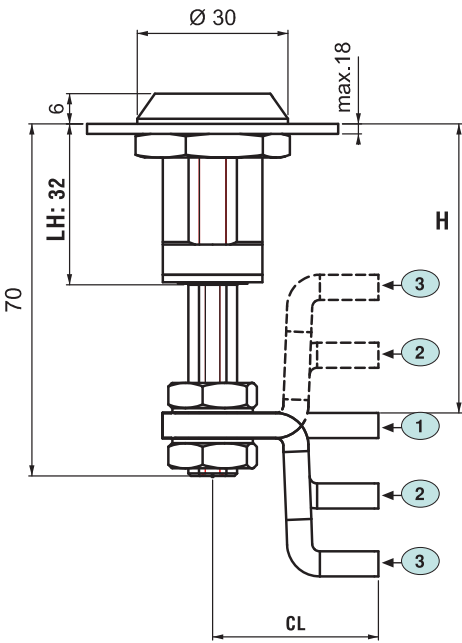


MATERIAL	M
Zinc Alloy	1

FINISH	F
Chrome	1
Black coated	2

For cams please check pages: 172 - 173

For keys please check pages : 189 - 191



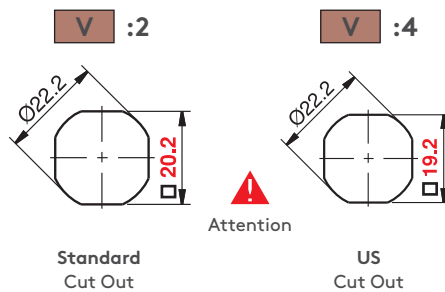
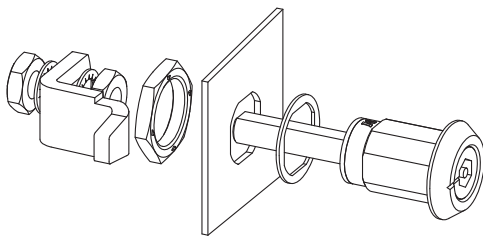
## 040

## COMPRESSION LATCH

- RoHS
- IP 65 NEMA 4
- 
- 
- 



- Used for cabinets that require better sealing under vibrating conditions
- Provides 6 mm of compression
- Wide grip range with adjustable screw
- Provides noise isolation.
- Different drivers / cams available
- Three cam alternatives available
- The latch has been tested according to the DIN EN 61373 Category 1-B for vibration and shock.
- Working Temperature Range: -50/+80 C
- M22 Nut : should be fixed with 60 Nm
- M10 Nut: should be fixed with 10 Nm
- Threadlocker is applied to the nut threads to get extra fastness against vibration and shock
- Max load capacity: 562 N

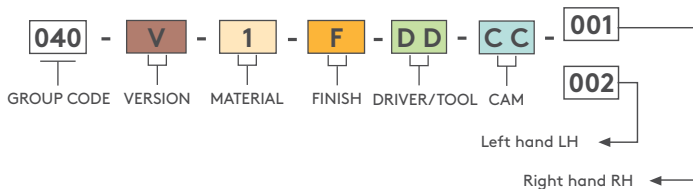


CAM	CC	CH	CL	POSITION	H: GRIP	
					MIN	MAX
1	01	0	33	Flat	41	58
2	02	14	33	Up	27	44
				Down	55	72
3	03	27,5	33	Up	13,5	30,5
				Down	68	85

### MATERIAL

HOUSING: Zinc Alloy DIN-EN 1774-ZnAl4Cu1  
 DRIVER/TOOL: Zinc Alloy DIN-EN 1774-ZnAl4Cu1  
 CAM: Steel  
 GASKET: Rubber

### PRODUCT CODE



MATERIAL	M	FINISH	F
Zinc Alloy	1	Chrome	1
		Black coated	2

## 060 A3

## FIXING DEVICE



- Can be ordered separately

# ▶ QUARTER-TURN LATCHES

## MINI COMPRESSION LATCH

140



- RoHS
- IP 65  
NEMA 4
- 
- 

- **Stainless Steel version: page 468**
- Used for cabinets that require better sealing under vibrating conditions
- 4 mm compression ratio
- Provides noise isolation
- Driver and cam alternatives available

**MATERIAL**

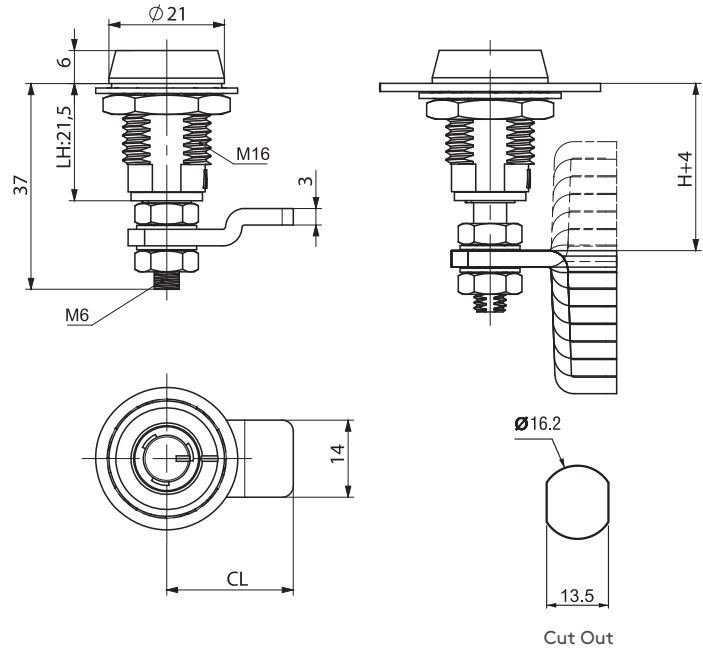
HOUSING : Zinc Alloy DIN-EN 1774-ZnAl4Cu1

DRIVER/TOOL: Zinc Alloy DIN-EN 1774-ZnAl4Cu1

CAM: Steel

**FINISH**

Chrome or black coated



CAM	CC	CH	CL	POSITION	H: GRIP	
					MIN	MAX
1	01	0	23	Flat	26.2	29.4
2	02	1.0	23	Up	25.2	28.4
				Down	27.2	30.4
3	03	3.8	23	Up	22.4	25.6
				Down	30.0	33.2
4	04	7.0	23	Up	19.2	22.4
				Down	33.2	36.4
5	05	10.2	23	Up	16.0	19.2
				Down	36.4	39.6
6	06	13.4	23	Up	12.8	16.0
				Down	39.6	42.8
7	07	16.6	23	Up	9.6	12.8
				Down	42.8	46.0
8	08	19.8	23	Up	6.4	9.6
				Down	46.0	49.2
9	09	23.0	23	Up	3.2	6.4
				Down	49.2	52.4

KNOB	
DD	
94	

DRIVER/TOOL	
Tubular key	
DD	
93	
4 mm Hexagon	
DD	
64	
Slot	
DD	
45	

## DUST CAP

140 A1



(Order separately)

MATERIAL : Polyurethane

**PRODUCT CODE**

140 - 1 - F - DD - CC

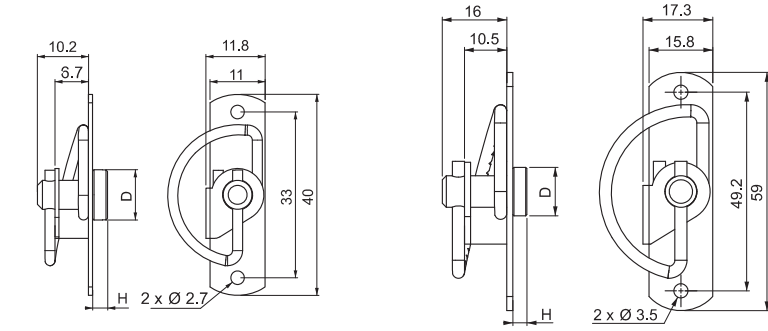
GROUP CODE MATERIAL FINISH DRIVER/TOOL CAM

MATERIAL	M	FINISH	F
Zinc Alloy	1	Chrome	1
		Black coated	2



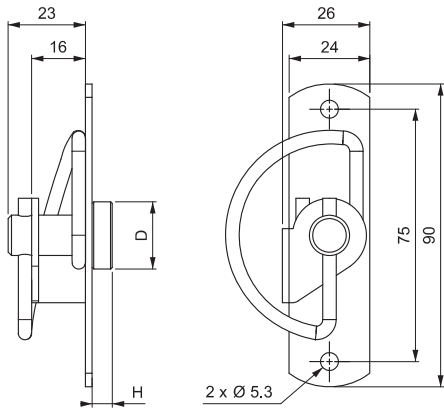
045

COMPRESSION - SPRING LATCH

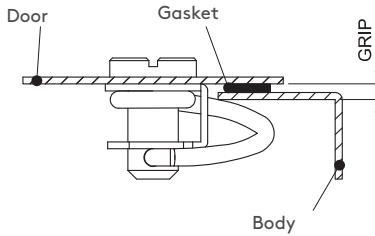


Small

Medium



Large



- Stainless Steel version: page 477
- Fix small panels to frame with ease
- Quarter-turn locking
- Easy assembly
- For doors with a bend of 24 mm

**MATERIAL**

BODY: Steel  
 DRIVER/TOOL: Steel  
 SPRING: Stainless steel

DRIVER/TOOL				
V	DD	Driver name	DØ	H
1	12	Slot - Small	10	3
	13	Knurled - Small	10.5	12
2	21	Hexagon Female 4 mm	12	3.5
	22	Slot - Medium	12	3.5
3	23	Knurled - Small	13	17.5
	31	Hexagon Female 8 mm	20	6
	32	Slot - Large	20	5

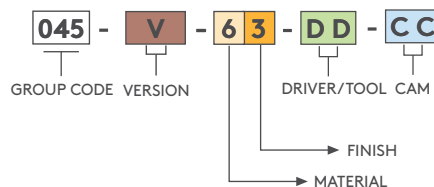


CAMS		
CC	Cam name	VERSION
41	Smooth Spring - Small	1
42	Smooth Spring - Medium	2
52	Serrated Spring - Medium	2
43	Smooth Spring - Large	3
53	Serrated Spring - Large	3

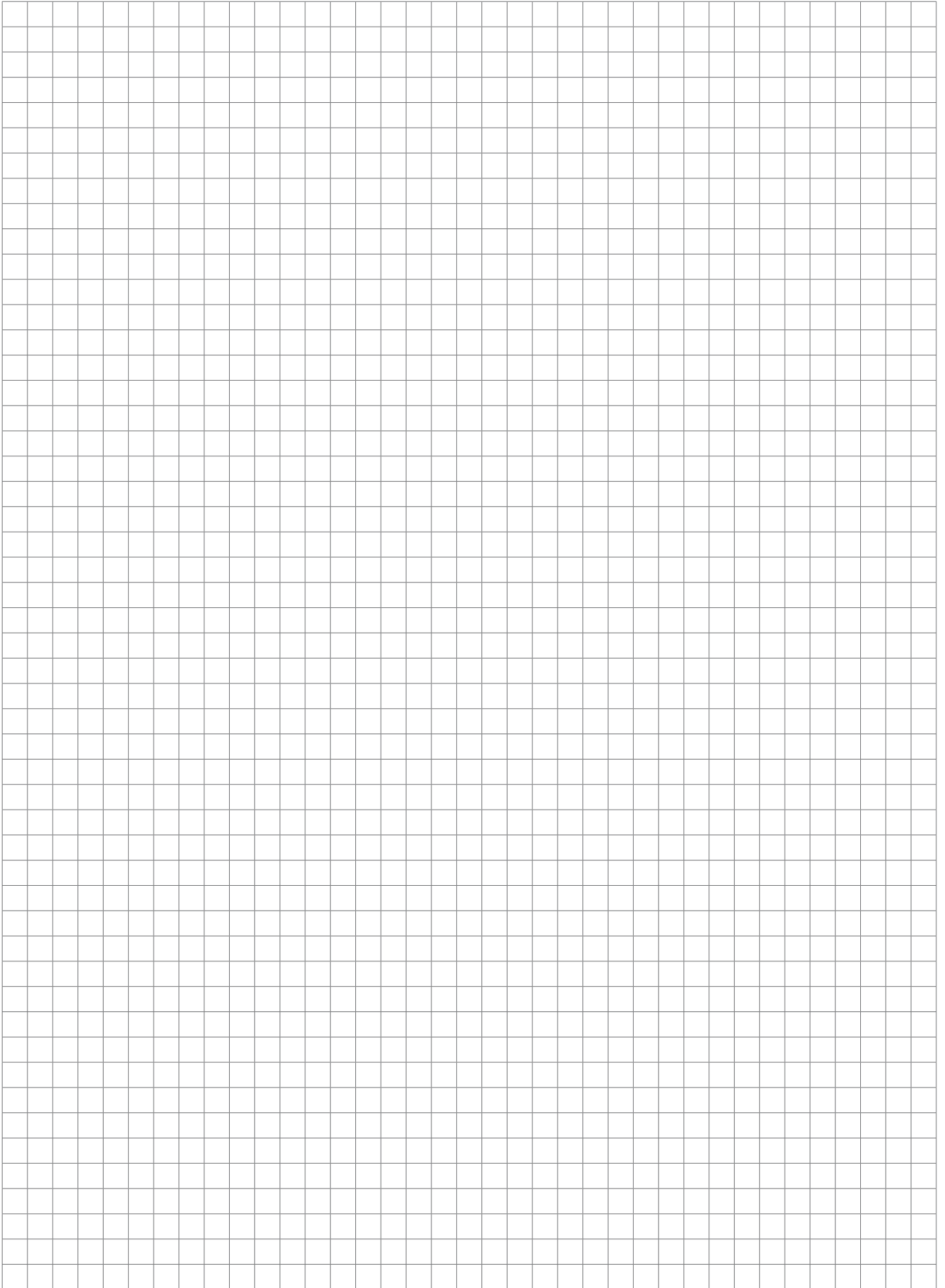
VERSIONS	
V	Product
1	Small Spring Latch
2	Medium Spring Latch
3	Large Spring Latch

<b>MATERIAL</b>	<b>F</b>	<b>FINISH</b>	<b>F</b>
Steel	6	Zinc Plated	3

**PRODUCT CODE**







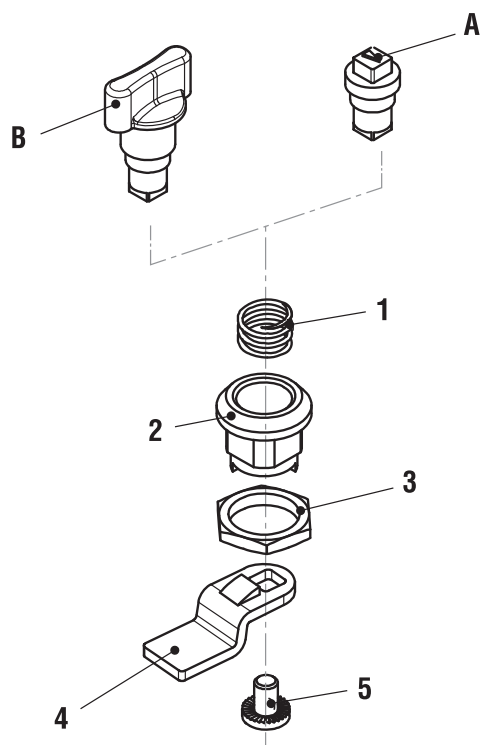


ASSEMBLY

QUARTER-TURN LATCHES

066

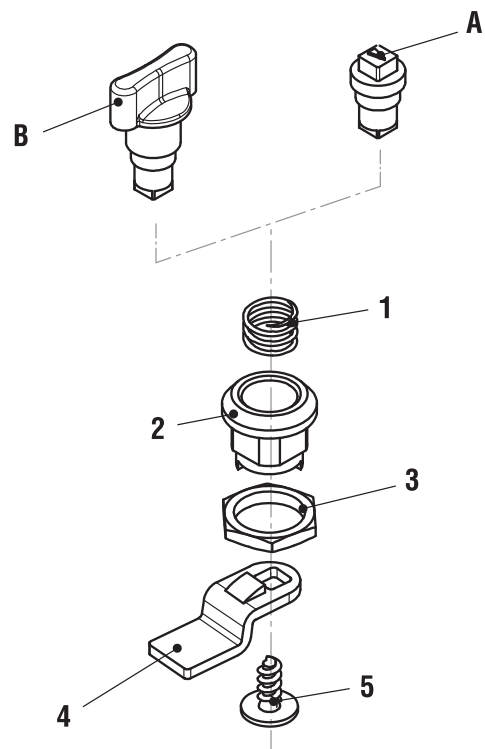
Zinc Alloy



A: Driver (066 system), Zinc Alloy  
B: Knob (166 system), Zinc Alloy

- 1: Spring
- 2: Housing, (Ø 20) Zinc Alloy
- 3: Nut, Zinc Alloy
- 4: Cam
- 5: Screw

Plastic



A: Driver (066 system), Plastic  
B: Knob (166 system), Plastic

- 1: Spring
- 2: Housing, (Ø 20) Plastic
- 3: Nut, Zinc Alloy
- 4: Cam
- 5: Screw

# ▶ QUARTER-TURN LATCHES

## MINI QUARTER TURN – EASY FIXING

366



- Easy assembly by clips
- Specially designed internal spring provides 1 mm torsion

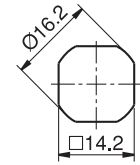
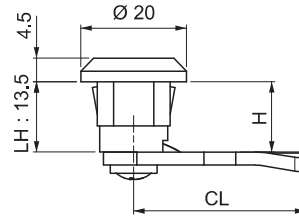
### MATERIAL

HOUSING: PA6 GFR 30  
 DRIVER/TOOL: Zinc Alloy DIN-EN 1774-ZnAl4Cu1 or PA6 GFR 30  
 CAM: Steel



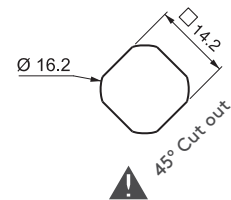
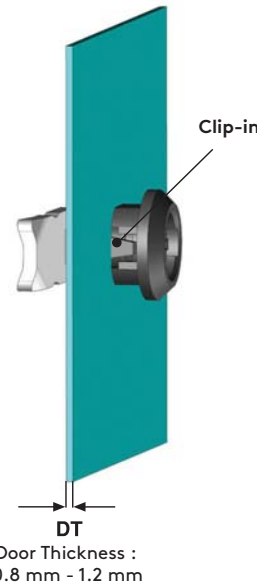
Application Keys  
 Code: 267

DRIVER/TOOL		M	F
6 mm Square		M	F
DD		1	1
		1	2
26		2	0
7 mm Triangular		M	F
DD		1	1
		1	2
37		2	0
Slot		M	F
DD		1	1
		1	2
42		2	0

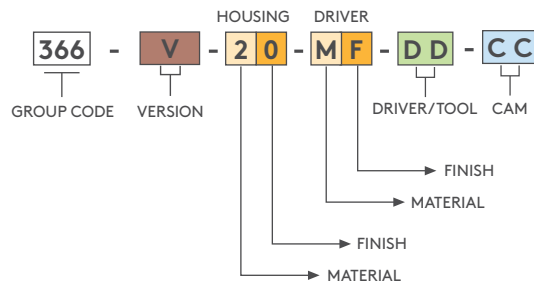


Standard cut out

V : 1



V : 2



MATERIAL	M
Zinc Alloy	1
Plastic	2

FINISH	F
Chrome	1
Black coated	2
No finish	0

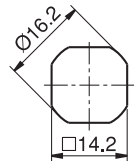
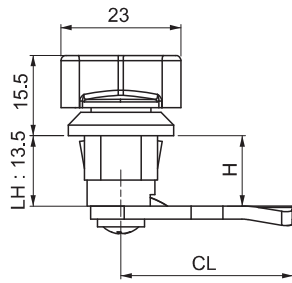
For cams please check page: 175

For keys please check page: 189 - 191



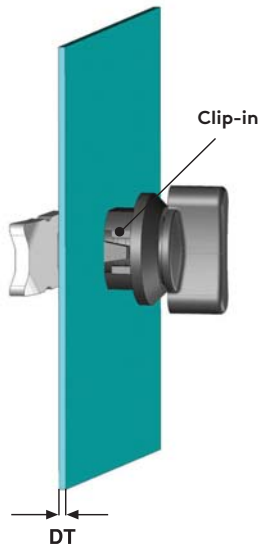
566

MINI QUARTER TURN – EASY FIXING

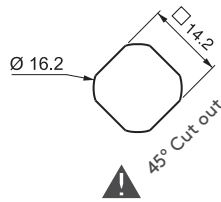


Standard cut out

V : 1



Door Thickness : 0.8 mm - 1.2 mm



V : 2

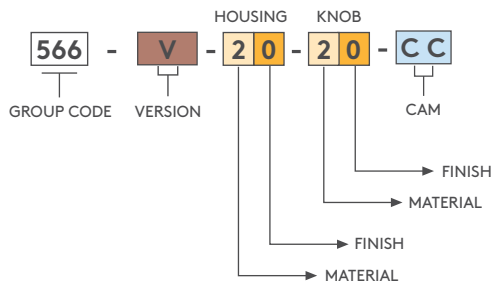
- RoHS
- 
- 
- 



- Easy assembly by clips
- Specially designed internal spring provides 1 mm torsion

MATERIAL

HOUSING: PA6 GFR 30  
 KNOB: PA6 GFR 30  
 CAM: Steel



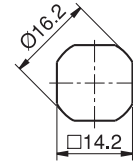
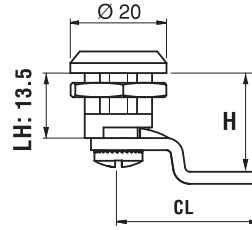
MATERIAL	M	FINISH	F
Plastic	2	No finish	0

For cams please check page: 175

# ▶ QUARTER-TURN LATCHES

## MINI QUARTER TURN - SPRING LOADED

066



Cut Out

- Stainless steel version: page 466
- Specially designed internal spring provides 1 mm torsion
- Sealing washer not supplied

### MATERIAL

HOUSING: Zinc Alloy DIN-EN 1774-ZnAl4Cu1 or PA6 GFR 30  
 DRIVER/TOOL: Zinc Alloy DIN-EN 1774-ZnAl4Cu1 or PA6 GFR 30  
 CAM: Steel

066 1-1-DD-CC  
Zinc Alloy Chrome

066 1-2-DD-CC  
Zinc Alloy Black Coated

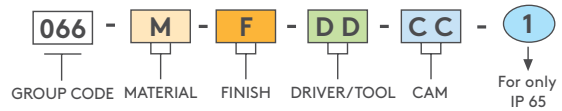
066 2-0-DD-CC  
Plastic



Application Keys  
Code: 267

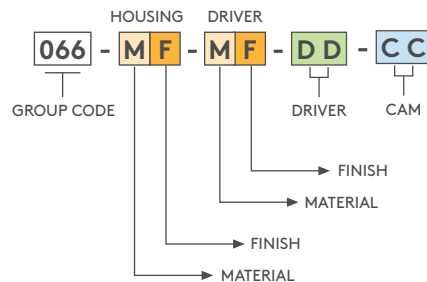
DRIVER/TOOL		M	F
6 mm Square		M	F
DD		1	1
		1	2
26		2	0
7 mm Triangular		M	F
DD		1	1
		1	2
37		2	0
Slot		M	F
DD		1	1
		1	2
42		2	0

### PRODUCT CODE

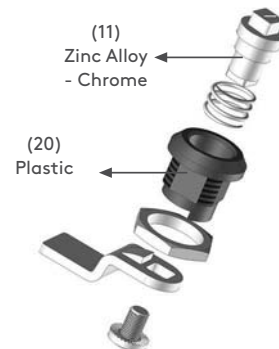


MATERIAL	M	FINISH	F
Zinc Alloy	1	Chrome	1
Plastic	2	Black coated	2
		No finish	0

For mixed material and finish latch orders please use the following coding system



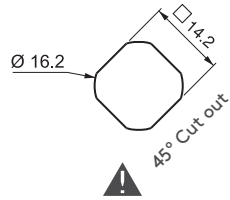
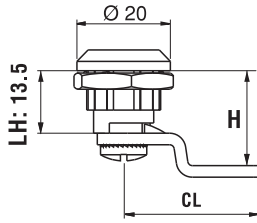
### EXAMPLE



PRODUCT CODE  
066 20-11-42-11

For cams please check page: 175

For keys please check page: 189 - 191



266

MINI QUARTER TURN – SPRING LOADED

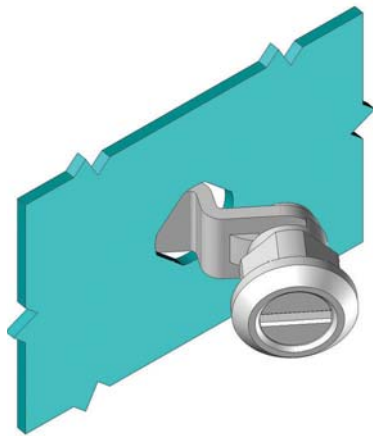


- Specially designed internal spring provides 1 mm torsion
- Sealing washer not supplied

266 1-1-DD-CC  
Zinc Alloy Chrome

266 1-2-DD-CC  
Zinc Alloy Black Coated

266 2-0-DD-CC  
Plastic



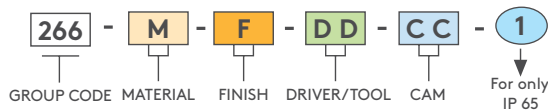
MATERIAL

HOUSING: Zinc Alloy DIN-EN 1774-ZnAl4Cu1 or PA6 GFR 30

DRIVER/TOOL: Zinc Alloy DIN-EN 1774-ZnAl4Cu1 or PA6 GFR 30

CAM: Steel

PRODUCT CODE



MATERIAL	M	FINISH	F
Zinc Alloy	1	Chrome	1
		Black coated	2
Plastic	2	No finish	0

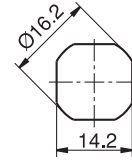
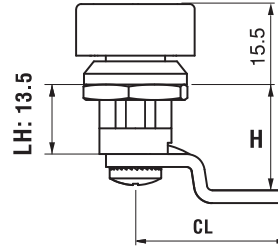
For cams please check page: 175

For keys please check page: 189 - 191

# ▶ QUARTER-TURN LATCHES

## MINI QUARTER TURN - WING KNOB

166



Cut Out

- Wing operates latch and serves as knob
- Sealing washer not supplied

### MATERIAL

HOUSING: Zinc Alloy DIN-EN 1774-ZnAl4Cu1 or PA6 GFR 30  
 KNOB: Zinc Alloy DIN-EN 1774-ZnAl4Cu1 or PA6 GFR 30  
 CAM: Steel

**166 1-1-CC**  
Zinc Alloy Chrome



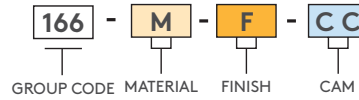
**166 1-2-CC**  
Zinc Alloy Black Coated



**166 2-0-CC**  
Plastic

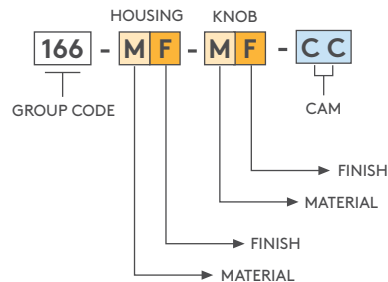


### PRODUCT CODE

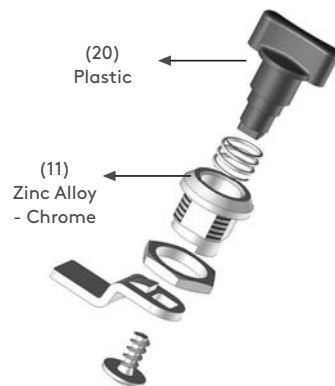


MATERIAL	M	FINISH	F
Zinc Alloy	1	Chrome	1
	2	Black coated	2
Plastic		No finish	0

For mixed material and finish latch orders, please use the following coding system:



### EXAMPLE



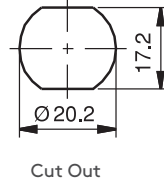
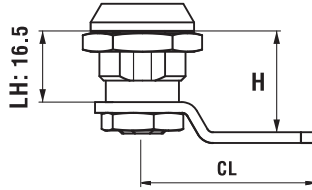
PRODUCT CODE  
166 11-20-11

For cams please check page: 175



050

CAM LATCH – BALL



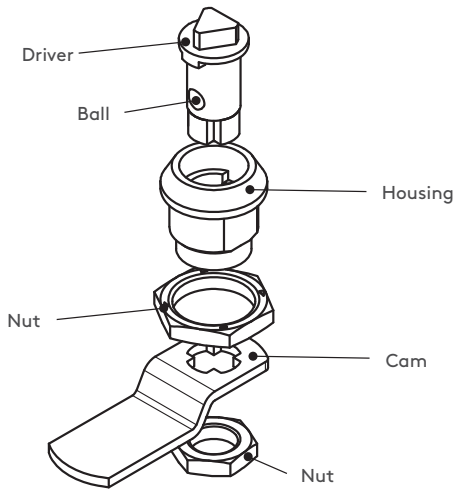
- Special index action to assist locking and keep cam in position
- Stable in open position

**MATERIAL**

HOUSING: Zinc Alloy DIN-EN 1774-ZnAl4Cu1  
CAM: Steel

**FINISH**

Chrome plated



DRIVER/TOOL	
	Slot
DD	
83	
9 mm Triangular	
DD	
39	
6 mm hexagon	
DD	
66	

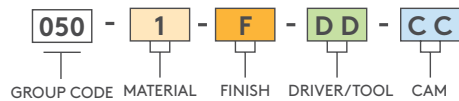
Application keys:



267-39

169-66

PRODUCT CODE



MATERIAL	M	FINISH	F
Zinc Alloy	1	Chrome	1
		Black coated	2

For cams please check page: 175



# ▶ QUARTER-TURN LATCHES

PADLOCKABLE – KNOB

055



- Padlockable version
- Padlock shackle diameter  
Minimum 4 mm – Maximum 6 mm

**MATERIAL**

HOUSING: Zinc Alloy DIN-EN 1774-ZnAl4Cu1

KNOB: Zinc Alloy DIN-EN 1774-ZnAl4Cu1

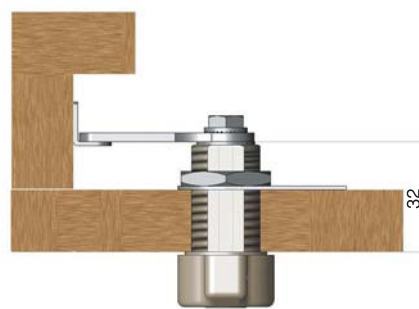
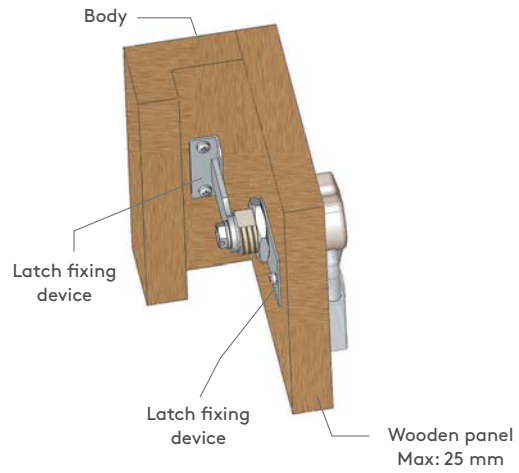
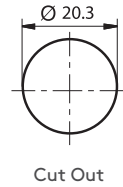
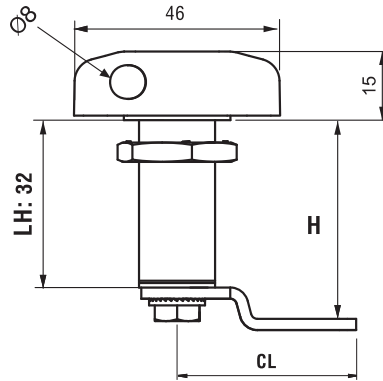
CAM: Steel

**FINISH**

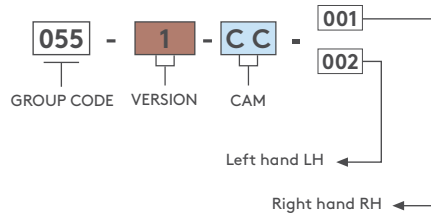
Nickel Plated

**⚠ Note:** Not suitable to use with long-shackle padlocks.

V : 1



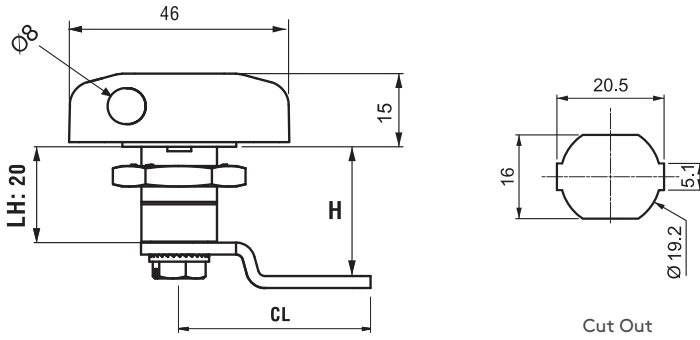
**PRODUCT CODE**



For cams please check page: 175



V : 3



**055** PADLOCKABLE - KNOB

- RoHS
- 
- 
- 
- 



- Padlockable version
- Padlock shackle diameter  
Minimum 4 mm – Maximum 6 mm

**MATERIAL**

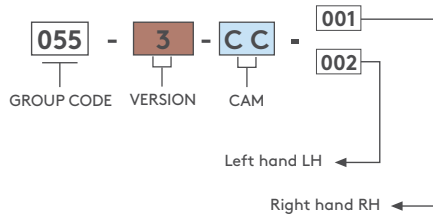
HOUSING: Zinc Alloy DIN-EN 1774-ZnAl4Cu1  
 KNOB: Zinc Alloy DIN-EN 1774-ZnAl4Cu1  
 CAM: Steel

**FINISH**

Nickel Plated

**⚠ Note:** Not suitable to use with long-shackle padlocks.

**PRODUCT CODE**

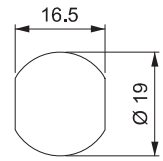
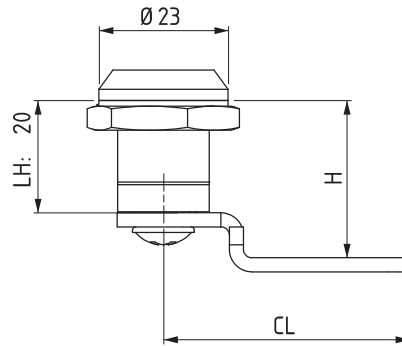


For cams please check page: 175

# ▶ QUARTER-TURN LATCHES

## QUARTER-TURN LATCH

**350**

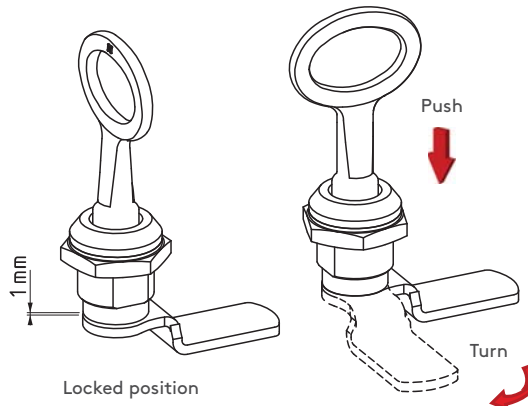


Cut Out

- Vibration proof quarter turn
- Opening the latch only possible by pushing and rotating the driver by the key
- Nickel plating is an option

### MATERIAL

HOUSING: Zinc Alloy DIN-EN 1774-ZnAl4Cu1  
 DRIVER/TOOL: Zinc Alloy DIN-EN 1774-ZnAl4Cu1  
 NUT: Zinc Alloy DIN-EN 1774-ZnAl4Cu1  
 CAM: Steel

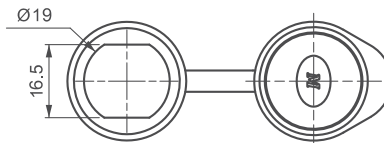


### DRIVER/TOOL

		M	F
3 mm Double Bit			
DD		1	1
		1	2
13		1	4
7 mm Triangular		1	1
DD		1	1
		1	2
37		1	4
7 mm Square			
DD		1	1
		1	2
27		1	4
Slot			
DD		1	1
		1	2
42		1	4

## DUST CAP

**050 A4**



### PRODUCT CODE

**350** - **1** - **F** - **DD** - **CC**  
 GROUP CODE MATERIAL FINISH DRIVER/TOOL CAM

MATERIAL	M
Zinc Alloy	1

FINISH	F
Chrome plated	1
Black coated	2
Nickel plated	4

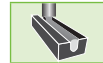
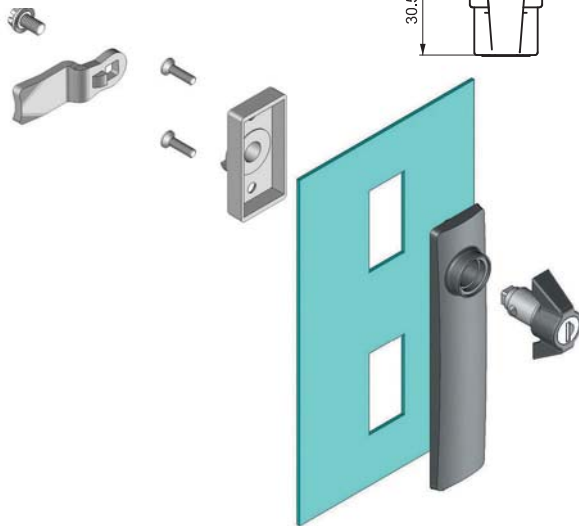
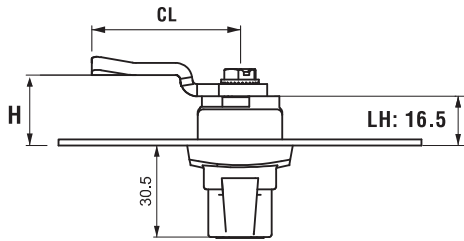
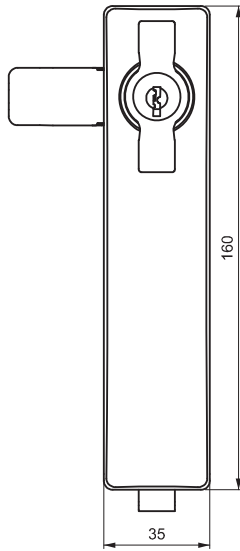
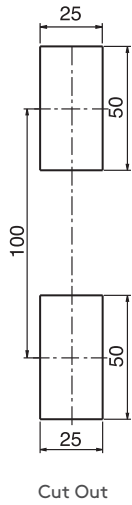
For cams please check page: 175  
 For keys please check page: 191



V : 6

203

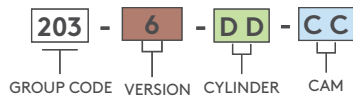
QUARTER TURN - WING KNOB



MATERIAL

BODY: PA6 GFR 30  
 KNOB: Zinc Alloy DIN-EN 1774-ZnAl4Cu1 or PA6 GFR 30  
 CAM: Steel  
 GASKET: Polyurethane

PRODUCT CODE



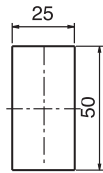
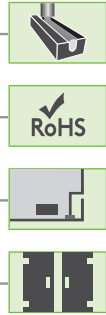
CYLINDER	SPECIFICATIONS	DD
	No cylinder	00
	Keyed alike	01
	Keyed differ	02
	Euro key (5333)	05
	CH751 (Stainless steel dust cap)	07

For cams please check pages: 170 - 171

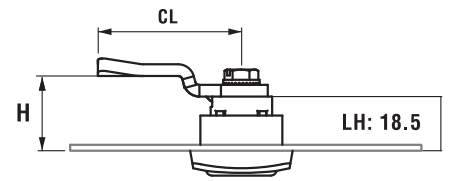
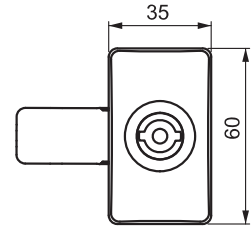
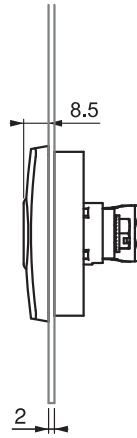
# ▶ QUARTER-TURN LATCHES

## QUARTER-TURN LATCH

103

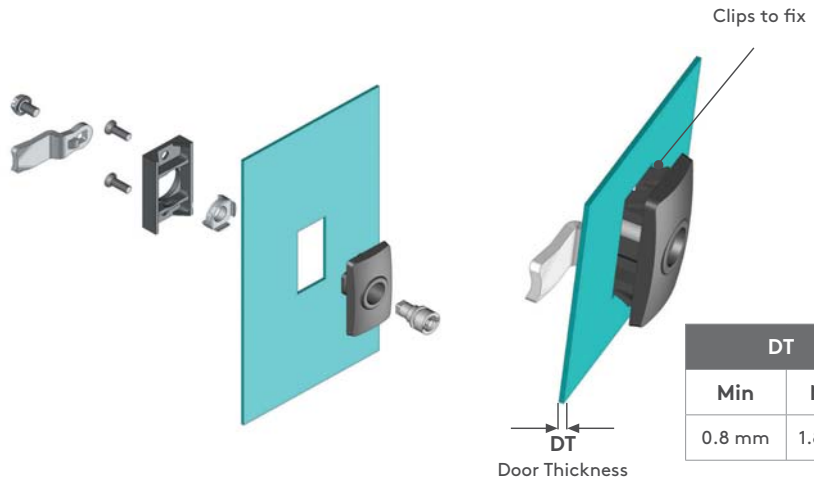


Cut Out



### MATERIAL

BODY: PA6 GFR 30  
 DRIVER/TOOL: Zinc Alloy DIN-EN 1774-ZnAl4Cu1 or PA6 GFR 30  
 CAM: Steel  
 GASKET: Polyurethane



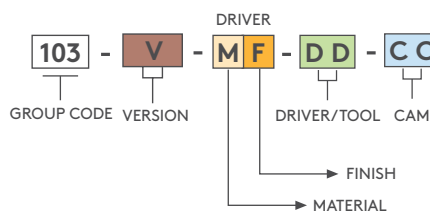
DT	
Min	Max
0.8 mm	1.8 mm

V : 1

V : 6

Clips to fix

### PRODUCT CODE

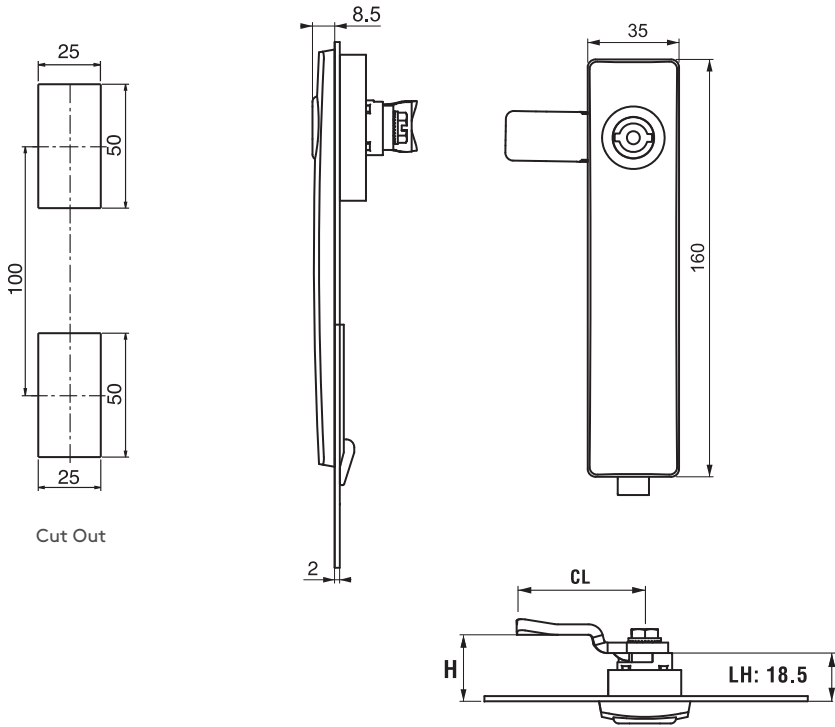


For cams please check pages: 170 - 171  
 For drivers please check page: 194  
 For keys please check pages : 189 - 191

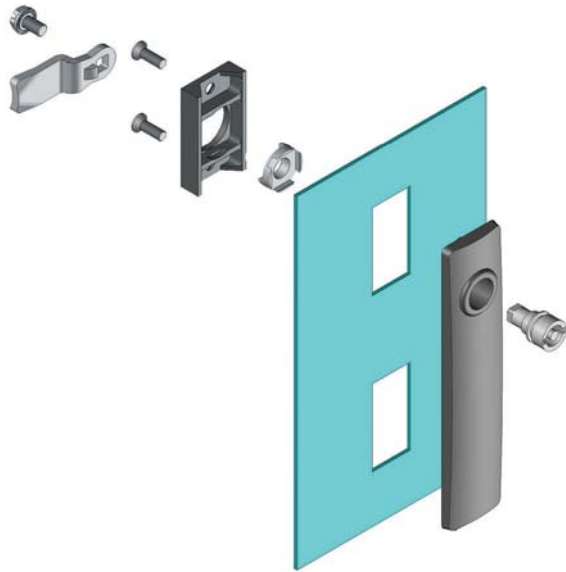


**203**

**QUARTER-TURN LATCH**

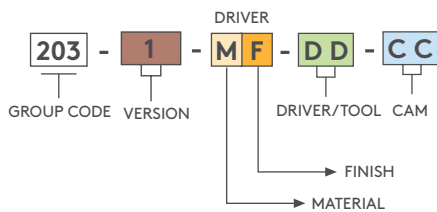


- IP 54 NEMA 3
- Material
- RoHS
- Gasket
- Cam



**MATERIAL**  
 BODY: PA6 GFR 30  
 DRIVER/TOOL: Zinc Alloy DIN-EN 1774-ZnAl4Cu1 or PA6 GFR 30  
 CAM: Steel  
 GASKET: Polyurethane

**PRODUCT CODE**



- For cams please check pages: 170 - 171
- For drivers please check page: 194
- For keys please check pages : 189 - 191

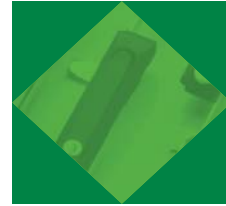


# LATCHES/LOCK



## CAM LATCHES

GROUP CODE	PRODUCT NAME
163	SPRING CAM LATCH
063	CAM LATCH
761	CAM LATCH – EASY FIXING
261	KNOB LATCH
065	CAM LATCH – WING KNOB
165	MINI CAM LATCH – WING KNOB
110	CAM LATCH – T HANDLE
111	CAM LATCH – L HANDLE
064	CAM LATCH – T HANDLE
064	CAM LATCH – L HANDLE
240	COMPRESSION LATCH – T HANDLE
340	COMPRESSION LATCH – WING KNOB
050	CAM LATCH
150	CAM LATCH
250	CAM LATCH
057	MINI CAM LATCH
157	MINI CAM LATCH
257	MINI CAM LATCH
056	CAM LATCH
	ACCESSORIES



PAGE

248

249

250

251

252

253

254

255

256

257

258 - 259

260 - 261

262 - 263

264

265

266

267

268

269

270





# CAM LATCHES

## SPRING CAM LATCH

163



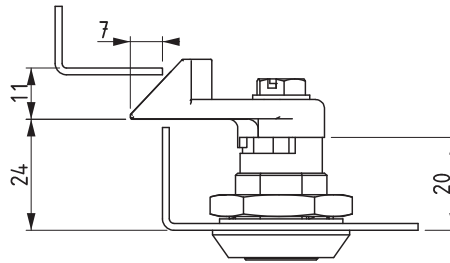
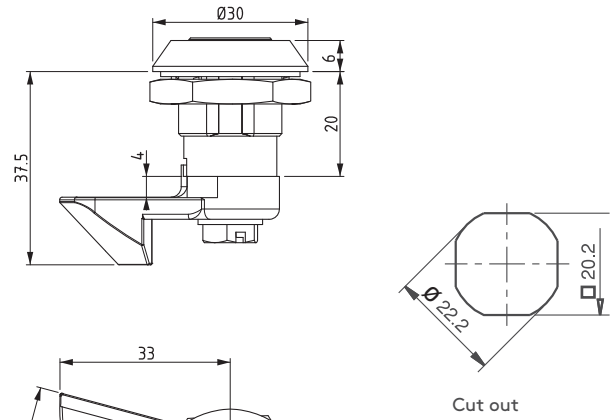
- Spring-loaded cam provides depress-to-latch action
- Distance between inside of latch face and front of cam fixed at 24 mm
- There is no IP 65 version of this latch, due to spring loaded cam

### APPLICATIONS

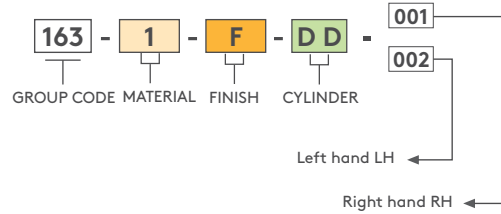
Electric panels, machinery covers

### MATERIAL

HOUSING: Zinc Alloy DIN-EN 1774-ZnAl4Cu1  
 CYLINDER: Zinc Alloy DIN-EN 1774-ZnAl4Cu11  
 CAM: Steel  
 GASKET: Rubber



### PRODUCT CODE



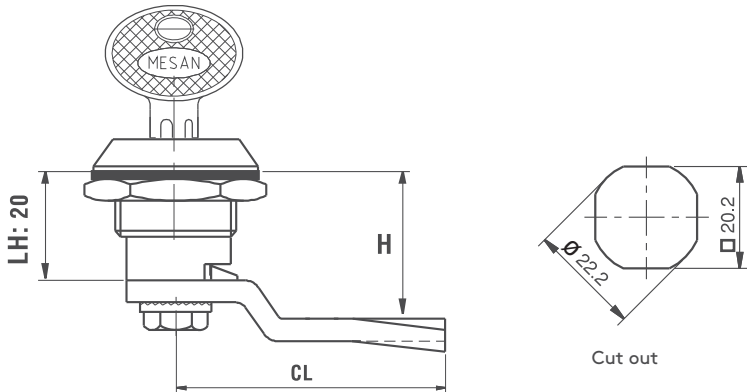
MATERIAL	M	FINISH	F
Zinc Alloy	1	Chrome	1
		Black coated	2

CYLINDER	SPECIFICATIONS	DD
	Keyed alike (Stainless steel dust cap)	03
	Keyed differ (Stainless steel dust cap)	32
	Master System	04
	Euro key (5333)	05
	CH751 (Stainless steel dust cap)	07



063

CAM LATCH



- Quarter-turn operation
- Body length 20.5 mm (Please be sure to order appropriate cam)
- Available in all die-cast zinc alloy or with polyamide housing

**063 1-1-DD-CC**  
Zinc Alloy - Chrome

**063 1-2-DD-CC**  
Zinc Alloy - Black Coated

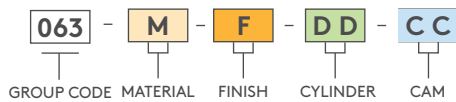
**063 2-0-DD-CC**  
Plastic



**MATERIAL**

HOUSING: Zinc Alloy DIN-EN 1774-ZnAl4Cu1 or PA6 GFR 30  
CAM: Steel or Plastic  
GASKET: Rubber

**PRODUCT CODE**



MATERIAL	M	FINISH	F
Zinc Alloy	1	Chrome	1
		Black coated	2
Plastic	2	No finish	0

CYLINDER	SPECIFICATIONS	DD
	Keyed alike (Stainless steel dust cap)	03
	Keyed differ (Stainless steel dust cap)	32
	Master System	04
	Euro key (5333)	05
	CH751 (Stainless steel dust cap)	07

For cams please check pages: 170 - 171

# CAM LATCHES

## CAM LATCH – EASY FIXING

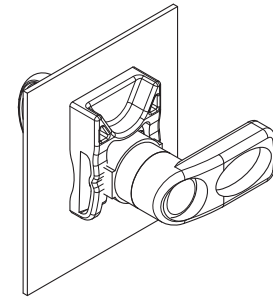
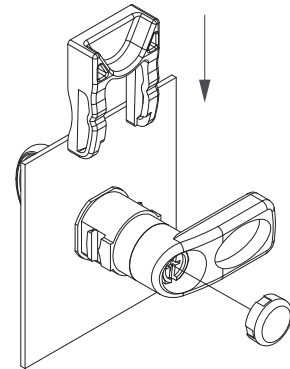
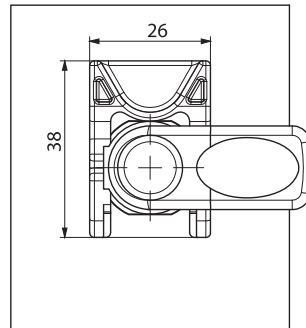
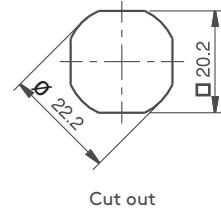
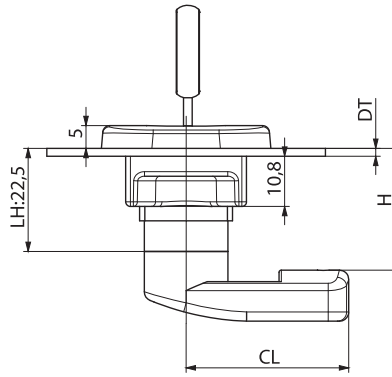
761



- Easy assembly by Plastic clips
- Applicable on different panel thicknesses
- Various driver options
- Logo application upon request

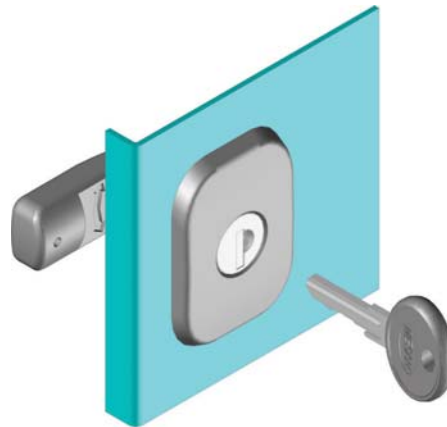
### MATERIAL

HOUSING: Polyamide DIN-EN ISO 1043-1 PA6 GFR 30  
 CYLINDER: Zinc Alloy DIN-EN 1774-ZnAl4Cu11  
 CAM: Plastic or steel



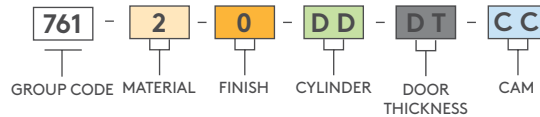
320.02.221  
 BOLT COVER (For grounding)


- Can order separately (only for Plastic cams)



SPECIFICATIONS		DT
1.2 -1.8 mm panel thickness		12
1.8 -2.3 mm panel thickness		23

### PRODUCT CODE



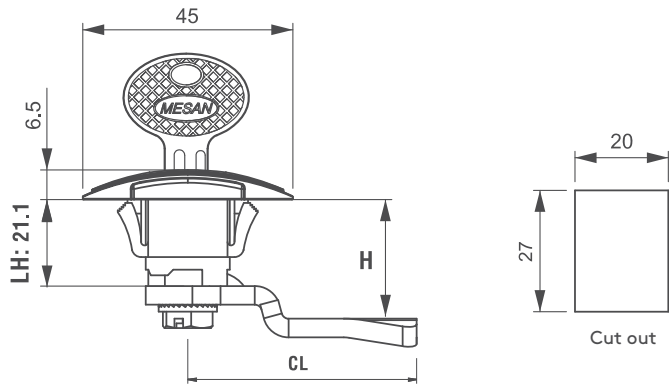
CYLINDER	SPECIFICATIONS	DD
	Keyed alike (Stainless steel dust cap)	03
	Keyed differ (Stainless steel dust cap)	32
	Master System	04
	Euro key (5333)	05
	CH751 (Stainless steel dust cap)	07

For cams please check pages: 170 - 171



261

KNOB LATCH

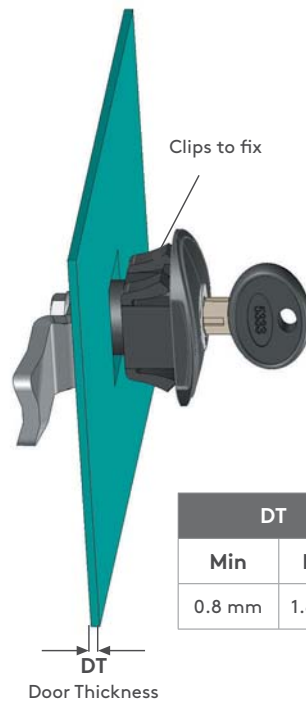
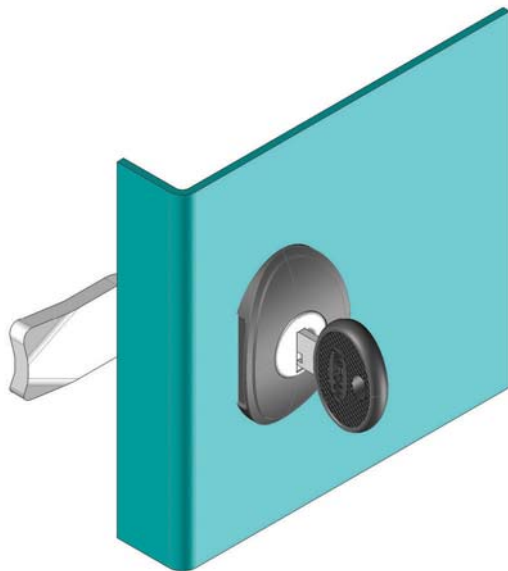


- RoHS
- 
- 
- 
- 



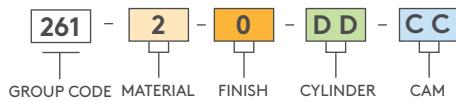
- Clip fixing for easy assembly
- Mounting nut not required
- Special 20 mm x 26 mm cut out
- No IP 65 version of this latch
- 1.8 mm maximum panel thickness

**MATERIAL**  
 HOUSING: Polyamide DIN-EN ISO 1043-1 PA6 GFR 30  
 CAM: Steel or Plastic



DT	
Min	Max
0.8 mm	1.8 mm

PRODUCT CODE



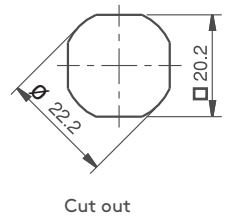
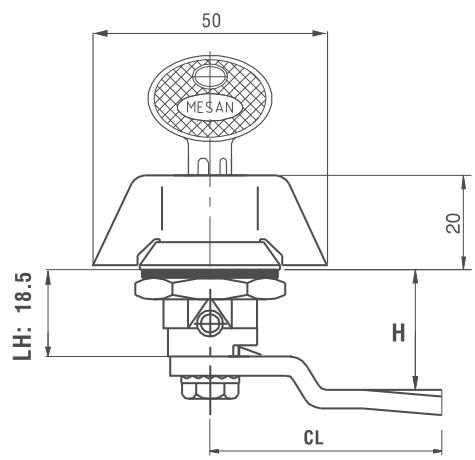
CYLINDER	SPECIFICATIONS	DD
	Keyed alike (Stainless steel dust cap)	03
	Keyed differ (Stainless steel dust cap)	32
	Master System	04
	Euro key (5333)	05
	CH751 (Stainless steel dust cap)	07

For cams please check pages: 170 - 171

# CAM LATCHES

## CAM LATCH - WING KNOB

**065**



- Stainless steel version: page 482
- Quarter-turn operation
- Available in all die-cast zinc alloy or with polyamide wing knob and housing
- Optional blind version

**MATERIAL**  
**HOUSING:** Zinc Alloy DIN-EN 1774-ZnAl4Cu1  
**CAM:** Steel or Plastic  
**GASKET:** Rubber

**065 1-1-DD-CC**  
Zinc Alloy Chrome



**065 1-2-DD-CC**  
Zinc Alloy Black Coated



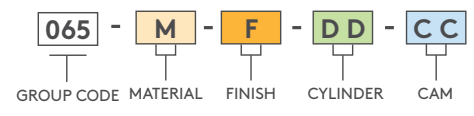
**065 2-0-DD-CC**  
Plastic



No cylinder '00'



### PRODUCT CODE



MATERIAL	M	FINISH	F
Zinc Alloy	1	Chrome	1
		Black coated	2
Plastic	2	No finish	0

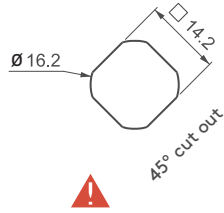
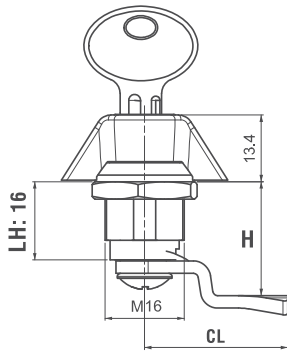
CYLINDER	SPECIFICATIONS	DD
	No cylinder	00
	Keyed alike (Stainless steel dust cap)	03
	Keyed differ (Stainless steel dust cap)	32
	Master System	04
	Euro key (5333)	05
	CH751 (Stainless steel dust cap)	07

For cams please check pages: 170 - 171



165

MINI CAM LATCH – WING KNOB



- Quarter-turn operation
- Available all die-cast zinc alloy
- Suitable for small cabinets

165 1-1-DD-CC  
Zinc Alloy Chrome

165 1-2-DD-CC  
Zinc Alloy Black Coated



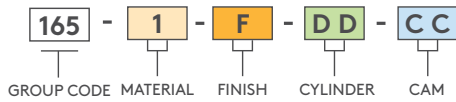
MATERIAL

HOUSING: Zinc Alloy DIN-EN 1774-ZnAl4Cu1

KNOB: Zinc Alloy DIN-EN 1774-ZnAl4Cu1

CAM: Steel

PRODUCT CODE



MATERIAL	M	FINISH	F
Zinc Alloy	1	Chrome	1
		Black coated	2

CYLINDER	SPECIFICATIONS	DD
	Keyed alike (Stainless steel dust cap)	03
	Keyed differ (Stainless steel dust cap)	32

For cams please check page: 175

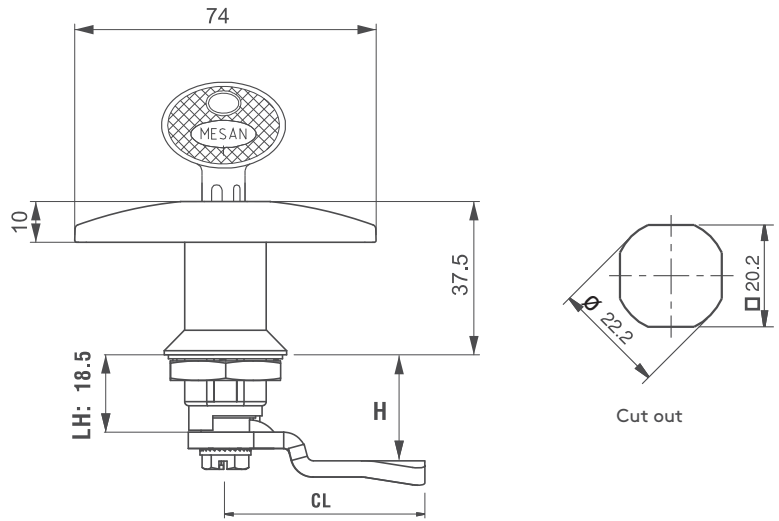
# CAM LATCHES

## CAM LATCH – T HANDLE

110



- RoHS
- IP 65  
NEMA 4
- 



- Stainless steel version: page 480
- Quarter-turn operation
- Available in all die-cast zinc alloy or with polyamide wing handle and housing
- Optional blind version

**MATERIAL**

HOUSING: Zinc Alloy DIN-EN 1774-ZnAl4Cu1  
 CAM: Steel or Plastic  
 GASKET: Rubber

**110 1-1-DD-CC**  
Zinc Alloy Chrome



**110 1-2-DD-CC**  
Zinc Alloy Black Coated



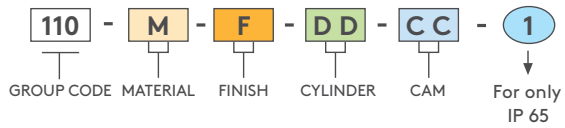
**110 2-0-DD-CC**  
Plastic



No cylinder '00'



**PRODUCT CODE**



MATERIAL		FINISH	
	M		F
Zinc Alloy	1	Chrome	1
		Black coated	2
Plastic	2	No finish	0

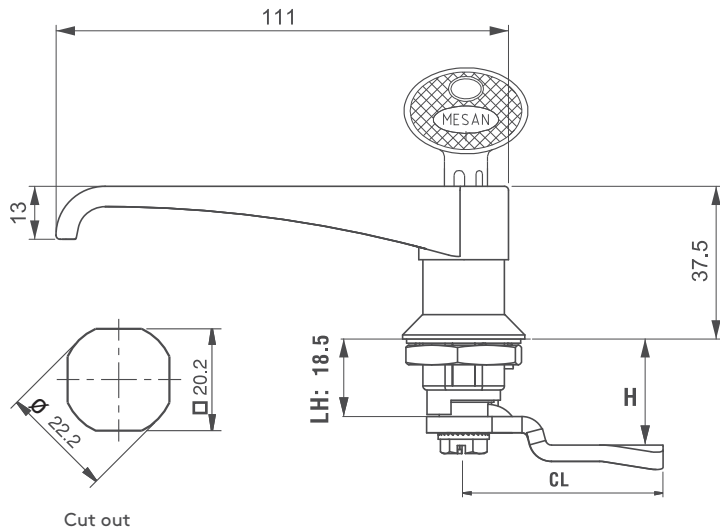
CYLINDER	SPECIFICATIONS	DD
	No cylinder	00
	Keyed alike (Stainless steel dust cap)	03
	Keyed differ (Stainless steel dust cap)	32
	Euro key (5333)	05
	CH751 (Stainless steel dust cap)	07

For cams please check pages: 170 - 171



111

CAM LATCH – L HANDLE



111 1-1-DD-CC  
Zinc Alloy Chrome

111 1-2-DD-CC  
Zinc Alloy Black Coated

111 2-0-DD-CC  
Plastic

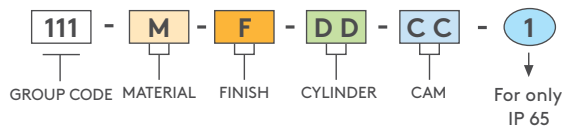


- Stainless steel version: page 481
- Quarter-turn operation
- Available in all die-cast zinc alloy or with polyamide wing handle and housing
- Optional blind version

MATERIAL

HOUSING: Zinc Alloy DIN-EN 1774-ZnAl4Cu1  
CAM: Steel or Plastic  
GASKET: Rubber

PRODUCT CODE



MATERIAL	M	FINISH	F
Zinc Alloy	1	Chrome	1
		Black coated	2
Plastic	2	No finish	0

CYLINDER	SPECIFICATIONS	DD
	No cylinder	00
	Keyed alike (Stainless steel dust cap)	03
	Keyed differ (Stainless steel dust cap)	32
	Euro key (5333)	05
	CH751 (Stainless steel dust cap)	07

No cylinder '00'



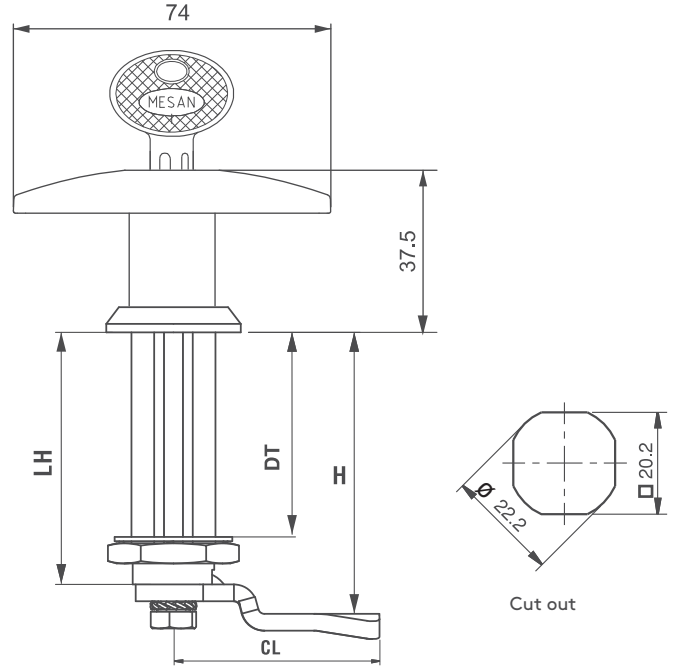
For cams please check pages: 170 - 171



# CAM LATCHES

## CAM LATCH - T HANDLE

064



DT	LH
20	30
30	40
40	50
50	60

- For soundproof or isolated doors
- Supplied with adapter suitable to standard housing
- Available in all die-cast zinc alloy or with polyamide wing handle and housing
- Optional blind version

**MATERIAL**  
**HOUSING:** Zinc Alloy DIN-EN 1774-ZnAl4Cu1  
**CAM:** Steel or Plastic  
**GASKET:** Rubber

**064 110-DT-1-1-DD-CC**  
 Zinc Alloy Chrome

**064 110-DT-1-2-DD-CC**  
 Zinc Alloy Black Coated

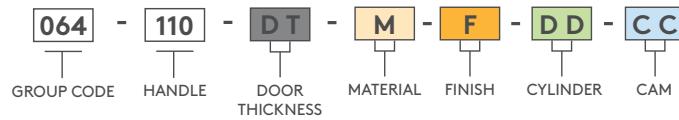
**064 110-DT-2-0-DD-CC**  
 Plastic




No cylinder '00'



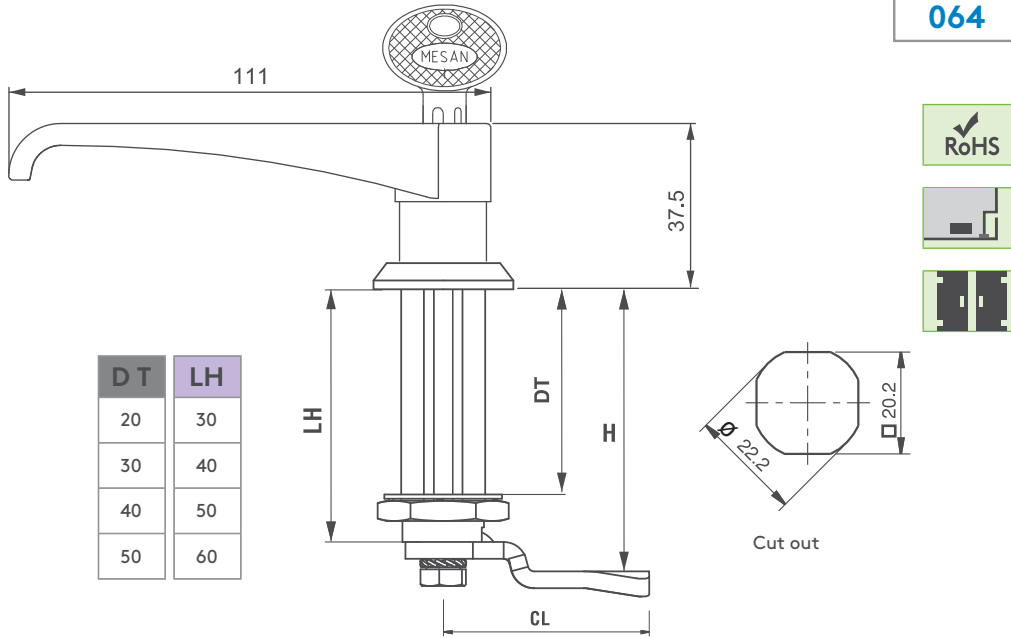
### PRODUCT CODE



MATERIAL	M	FINISH	F
Zinc Alloy	1	Chrome	1
		Black coated	2
Plastic	2	No finish	0

CYLINDER	SPECIFICATIONS	DD
	No cylinder	00
	Keyed alike (Stainless steel dust cap)	03
	Keyed differ (Stainless steel dust cap)	32
	Euro key (5333)	05
	CH751 (Stainless steel dust cap)	07

For cams please check pages: 170 - 171



DT	LH
20	30
30	40
40	50
50	60

064

CAM LATCH - L HANDLE



- Primarily for soundproof or isolated doors
- Supplied with adapter suitable to standard housing
- Available in all die-cast zinc alloy or with polyamide wing handle and housing
- Optional blind version

064 111-DT-1-1-DD-CC  
Zinc Alloy Chrome

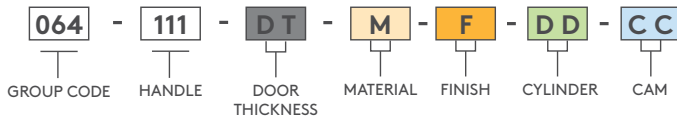
064 111-DT-1-2-DD-CC  
Zinc Alloy Black Coated

064 111-DT-2-0-DD-CC  
Plastic



**MATERIAL**  
HOUSING: Zinc Alloy DIN-EN 1774-ZnAl4Cu1  
CAM: Steel or Plastic  
GASKET: Rubber


PRODUCT CODE



MATERIAL	M	FINISH	F
Zinc Alloy	1	Chrome	1
		Black coated	2
Plastic	2	No finish	0

No cylinder '00'



CYLINDER	SPECIFICATIONS	DD
	No cylinder	00
	Keyed alike (Stainless steel dust cap)	03
	Keyed differ (Stainless steel dust cap)	32
	Euro key (5333)	05
	CH751 (Stainless steel dust cap)	07

For cams please check pages: 170 - 171

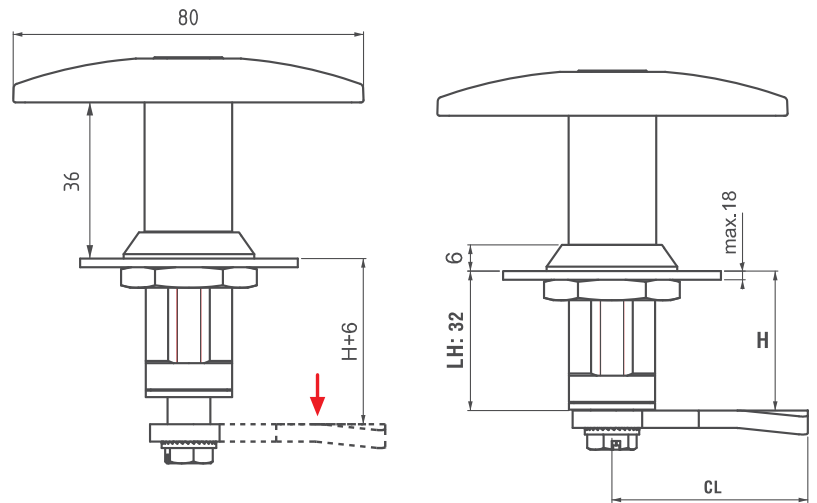
# CAM LATCHES

## COMPRESSION LATCH - T HANDLE

240



- RoHS
- IP 65  
NEMA 4
- 
- 



- Used for cabinets require better sealing under vibrating conditions
- Provides 6 mm of compression
- Provides noise isolation
- Standard cams without stopper required for these latches

**MATERIAL**

HOUSING: Zinc Alloy DIN-EN 1774-ZnAl4Cu1

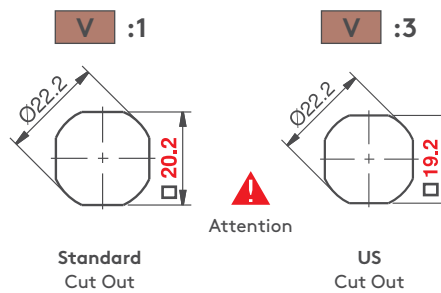
HANDLE: Zinc Alloy DIN-EN 1774-ZnAl4Cu1

CAM: Steel

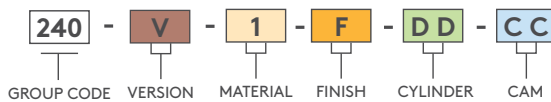
GASKET: Rubber

**FINISH**

Chrome or black coated



**PRODUCT CODE**



MATERIAL	M	FINISH	F
Zinc Alloy	1	Chrome	1
		Black coated	2

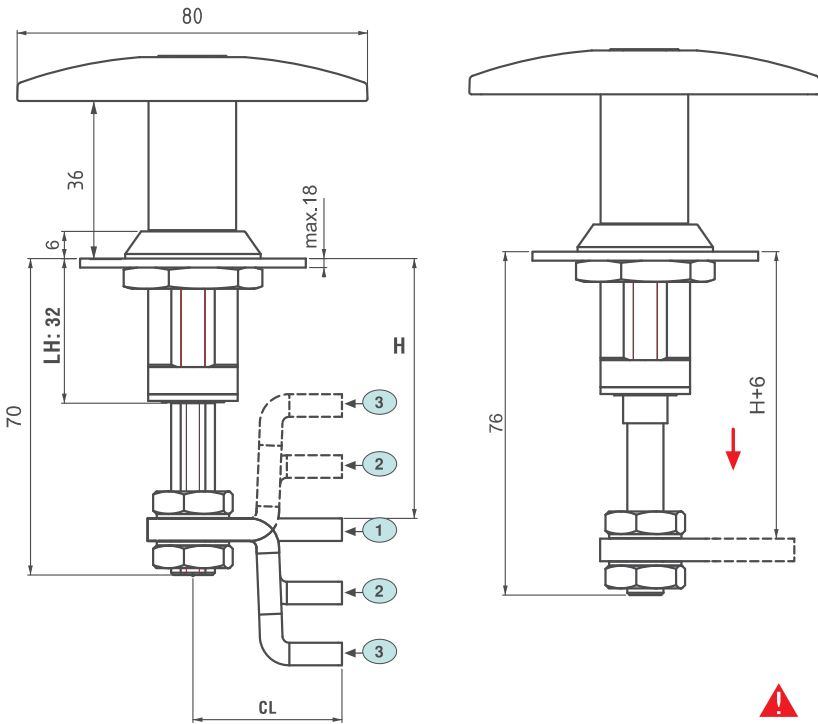
CYLINDER	SPECIFICATIONS	DD
	No cylinder	00
	Keyed alike (Stainless steel dust cap)	03
	Keyed differ (Stainless steel dust cap)	32
	CH751 (Stainless steel dust cap)	07

For cams please check pages: 172- 173



240

COMPRESSION LATCH - T HANDLE

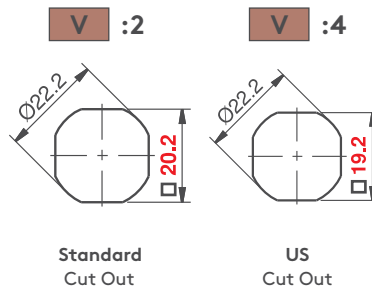


- RoHS
- IP 65 NEMA 4
- 
- 



Attention

CAM	CC	CH	CL	POSITION	H: GRIP	
					MIN	MAX
1	01	0	33	Flat	41	58
2	02	14	33	Up	27	44
				Down	55	72
3	03	27,5	33	Up	13,5	30,5
				Down	68	85

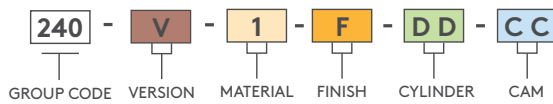


- For the cabinets that require better sealing under vibrating conditions
- Provides 6 mm of compression
- Wide grip range with adjustable screw
- Provides noise isolation
- Three cam alternatives available

**MATERIAL**  
 HOUSING: Zinc Alloy DIN-EN 1774-ZnAl4Cu1  
 HANDLE: Zinc Alloy DIN-EN 1774-ZnAl4Cu1  
 CAM: Steel  
 GASKET: Rubber

**FINISH**  
 Chrome or black coated

PRODUCT CODE



MATERIAL	M	FINISH	F
Zinc Alloy	1	Chrome	1
		Black coated	2

060 A3

FIXING DEVICE



- Can be ordered separately

CYLINDER	SPECIFICATIONS	DD
	No cylinder	00
	Keyed alike (Stainless steel dust cap)	03
	Keyed differ (Stainless steel dust cap)	32
	CH751 (Stainless steel dust cap)	07

# CAM LATCHES

## COMPRESSION LATCH - WING KNOB

340



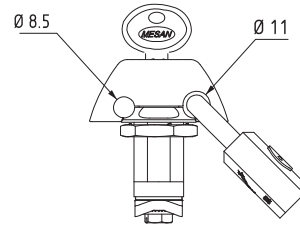
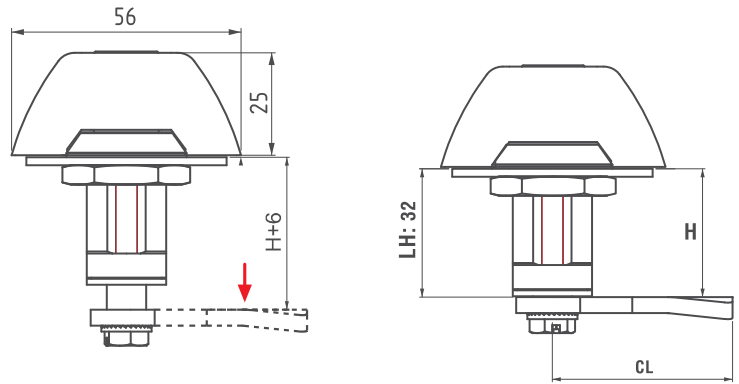
- Used for cabinets that require better sealing under vibrating conditions
- Provides 6 mm of compression
- Provides noise isolation
- Standard cams without stopper required for these latches

### MATERIAL

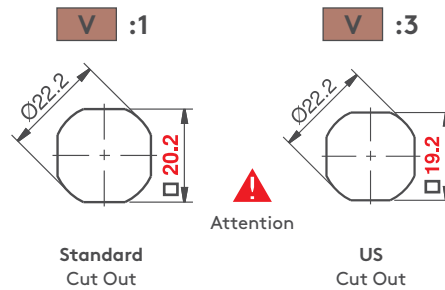
HOUSING: Zinc Alloy DIN-EN 1774-ZnAl4Cu1  
 KNOB: Zinc Alloy DIN-EN 1774-ZnAl4Cu1  
 CAM: Steel  
 GASKET: Rubber

### FINISH

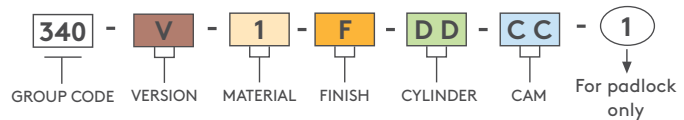
Chrome or black coated



1  
Padlock application



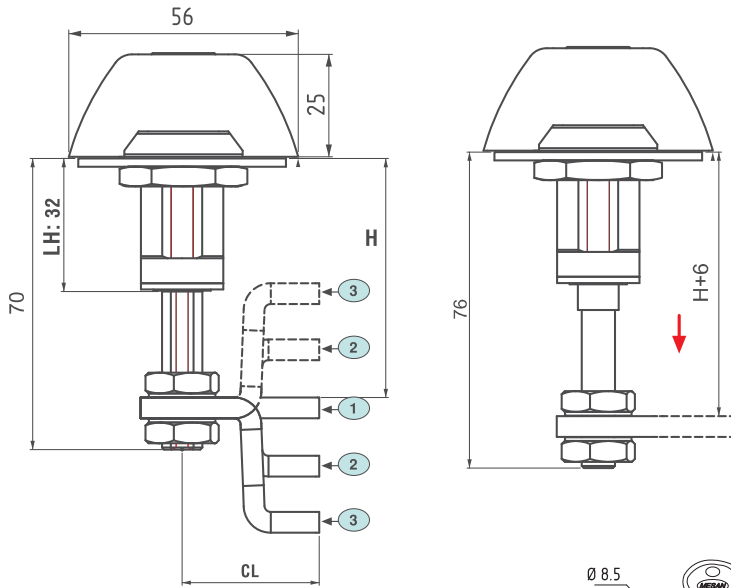
### PRODUCT CODE



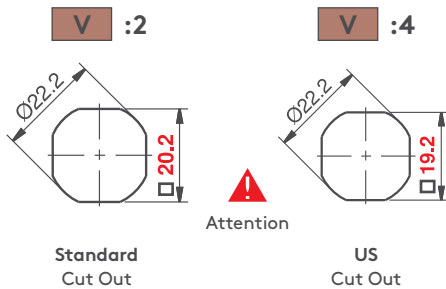
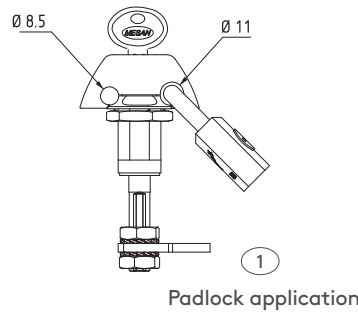
MATERIAL	M	FINISH	F
Zinc Alloy	1	Chrome	1
		Black coated	2

CYLINDER	SPECIFICATIONS	DD
	No cylinder	00
	Keyed alike (Stainless steel dust cap)	03
	Keyed differ (Stainless steel dust cap)	32
	CH751 (Stainless steel dust cap)	07

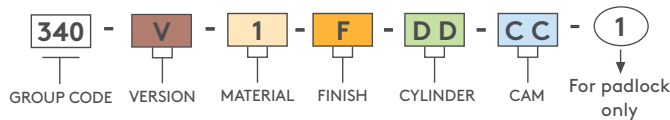
For cams please check pages: 172- 173



CAM	CC	CH	CL	POSITION	H: GRIP MIN	H: GRIP MAX
1	01	0	33	Flat	41	58
2	02	14	33	Up	27	44
				Down	55	72
3	03	27,5	33	Up	13,5	30,5
				Down	68	85



### PRODUCT CODE



MATERIAL	M	FINISH	F
Zinc Alloy	1	Chrome	1
		Black coated	2

CYLINDER	SPECIFICATIONS	DD
	No cylinder	00
	Keyed alike (Stainless steel dust cap)	03
	Keyed differ (Stainless steel dust cap)	32
	CH751 (Stainless steel dust cap)	07

## 340

### COMPRESSION LATCH - WING KNOB



- For the cabinets that require better sealing under vibrating conditions
- Latch provides 6 mm of compression
- Wide grip range with adjustable screw
- Provides noise isolation
- Three cam alternatives available

#### MATERIAL

HOUSING: Zinc Alloy DIN-EN 1774-ZnAl4Cu1  
 KNOB: Zinc Alloy DIN-EN 1774-ZnAl4Cu1  
 CAM: Steel  
 GASKET: Rubber

#### FINISH

Chrome or black coated

## 060 A3

### FIXING DEVICE



- Can be ordered separately

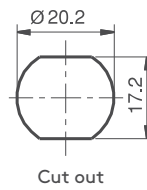
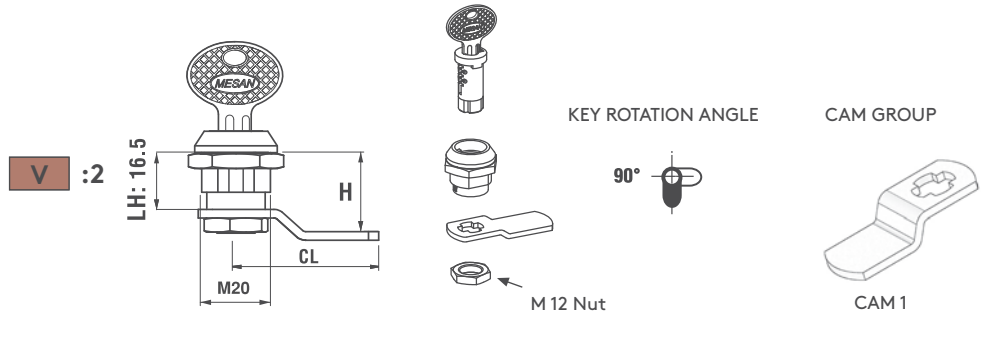
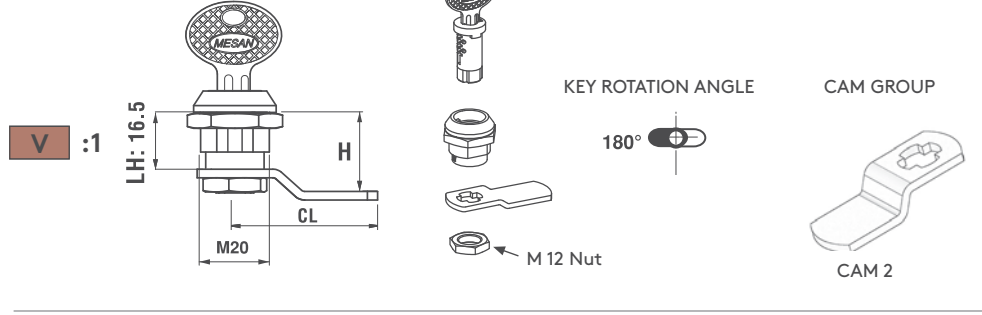
# CAM LATCHES

## CAM LATCH

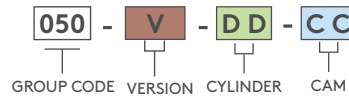
050



**MATERIAL**  
**HOUSING:** Zinc Alloy DIN-EN 1774-ZnAl4Cu1  
**CAM:** Steel  
**FINISH**  
 Chrome plated



### PRODUCT CODE



CYLINDER	SPECIFICATIONS	DD
	Keyed alike	01
	Keyed differ	02
	Keyed alike (Stainless steel dust cap)	03
	Keyed differ (Stainless steel dust cap)	32
	Euro key (5333)	05

For cams please check page: 175



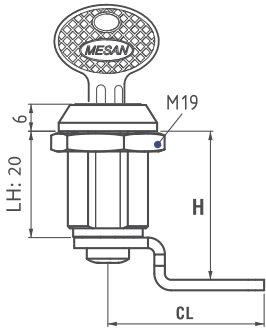
050

CAM LATCH

- RoHS
- 
- 



**MATERIAL**  
 HOUSING: Zinc Alloy DIN-EN 1774-ZnAl4Cu1  
 CAM: Steel  
**FINISH**  
 Chrome plated



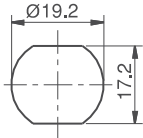
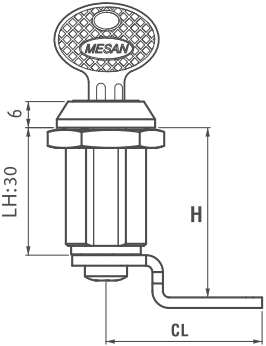
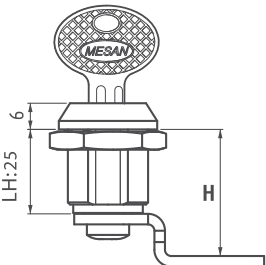
KEY ROTATION ANGLE



CAM GROUP

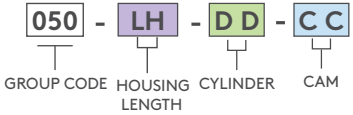


CAM 1



Cut out

PRODUCT CODE



CYLINDER	SPECIFICATIONS	DD
	Keyed alike	01
	Keyed differ	02
	Keyed alike (Stainless steel dust cap)	03
	Keyed differ (Stainless steel dust cap)	32
	Euro key (5333)	05

For cams please check page: 175



# CAM LATCHES

## CAM LATCH

150



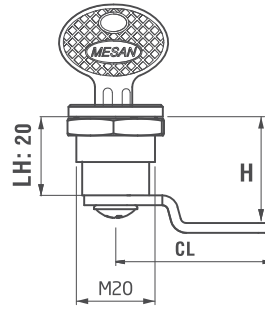
- Designed for polyester cabinets
- Very low profile head
- Please note special shape of mounting hole

### MATERIAL

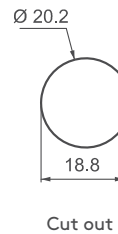
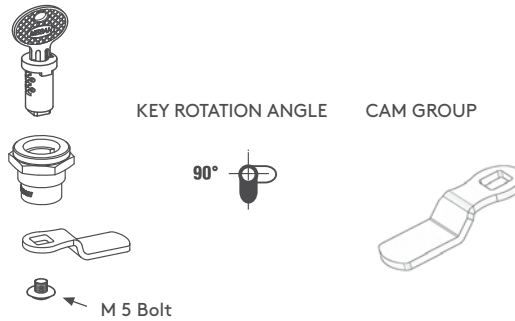
HOUSING: Zinc Alloy DIN-EN 1774-ZnAl4Cu1  
CAM: Steel

### FINISH

Chrome plated



Non removable key



### PRODUCT CODE

150 - 20 - DD - CC  
GROUP CODE HOUSING LENGTH CYLINDER CAM

CYLINDER	SPECIFICATIONS	DD
	Keyed alike	01
	Keyed differ	02
	Keyed alike (Stainless steel dust cap)	03
	Keyed differ (Stainless steel dust cap)	32
	Euro key (5333)	05

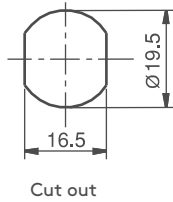
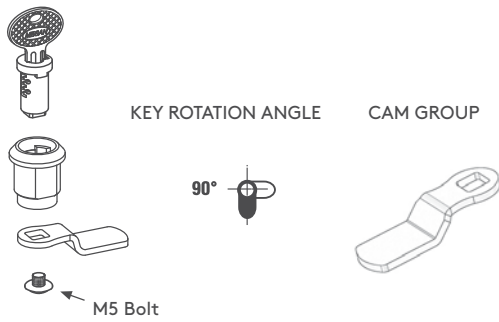
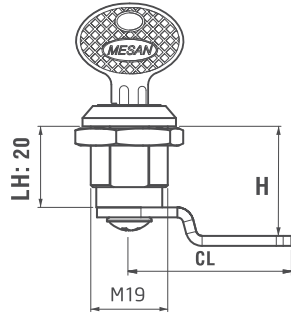
For cams please check page: 175



250

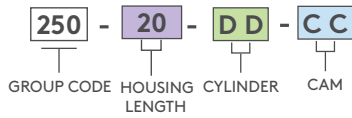
CAM LATCH

- RoHS
- 
- 



**MATERIAL**  
 HOUSING: Zinc Alloy DIN-EN 1774-ZnAl4Cu1  
 CAM: Steel  
**FINISH**  
 Chrome plated

PRODUCT CODE



CYLINDER	SPECIFICATIONS	DD
	Keyed alike	01
	Keyed differ	02
	Keyed alike (Stainless steel dust cap)	03
	Keyed differ (Stainless steel dust cap)	32
	Euro key (5333)	05

For cams please check page: 175

# CAM LATCHES

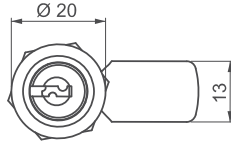
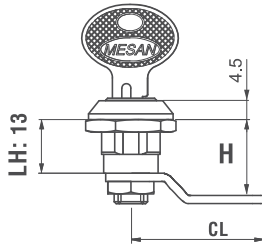
## MINI CAM LATCH

057

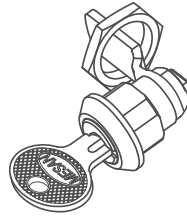


- Keyed differ has maximum 100 key combination

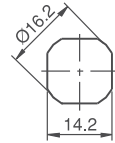
**MATERIAL**  
**HOUSING:** Zinc Alloy DIN-EN 1774-ZnAl4Cu1  
**CAM:** Steel  
**FINISH**  
 Chrome



V :1

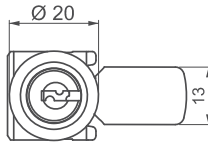
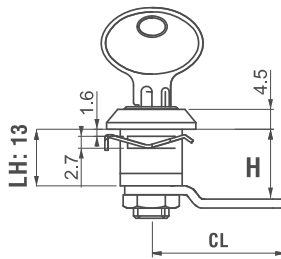


Fixed by nut

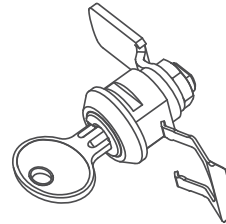


Cut out

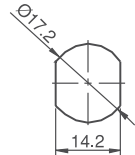
KEY ROTATION ANGLE



V :3



Fixed by clips



Cut out

KEY ROTATION ANGLE



### PRODUCT CODE

057 - V - DD - CC  
 GROUP CODE VERSION CYLINDER CAM

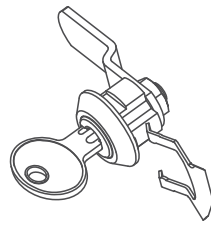
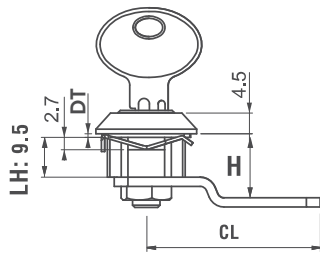
CYLINDER	SPECIFICATIONS	DD
	Keyed alike (Stainless steel dust cap)	03
	Keyed differ (Stainless steel dust cap)	32

For cams please check page: 175

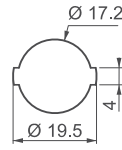


157

MINI CAM LATCH



Fixed by clips



Cut out

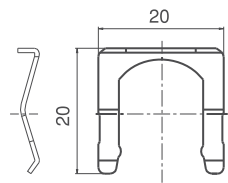
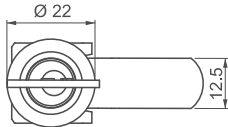
KEY ROTATION ANGLE



- Suitable for both steel and aluminium profile

**MATERIAL**

HOUSING: Zinc Alloy DIN-EN 1774-ZnAl4Cu1  
CAM: Steel



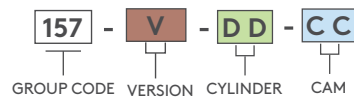
Thickness: 0.7 mm

STOCK CODE	CC	CH	CL	LH:9.5 H
30403487	27	0	16	9.5
31403040	28	1	33	10.5
31403032	23	1	38	10.5
30403469	24	5	38	14.5
31403041	29	6	30	15.5

Hook cam (CC: 29)

DOOR THICKNESS	VERSION
1.2 -1.5 mm thickness panel	1
0.8 -1.2 mm thickness panel	2

**PRODUCT CODE**



CYLINDER	SPECIFICATIONS	DD
	Keyed alike (Stainless steel dust cap)	03
	Keyed differ (Stainless steel dust cap)	32

# CAM LATCHES

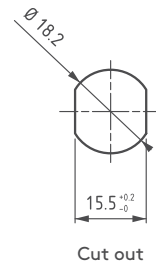
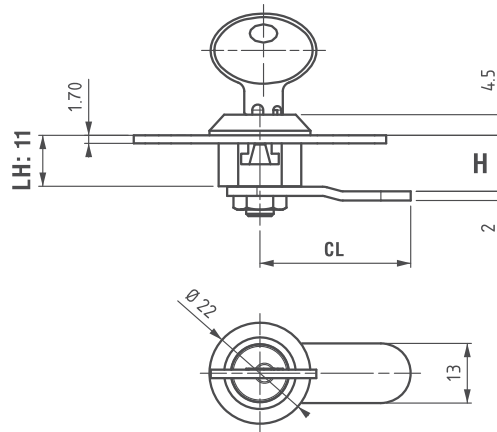
## MINI CAM LATCH

257



- Easy assembly with clips on housing

**MATERIAL**  
 HOUSING: Polyamide DIN-EN ISO 1043-1 PA6 GFR 30  
 CAM: Steel  
**FINISH**  
 Chrome



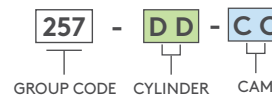
KEY ROTATION ANGLE



STOCK CODE	CC	CH	CL	LH:11 H
30403487	27	0	16	11
31403040	28	1	33	12
31403032	23	1	38	12
30403469	24	5	38	16
31403041	29	6	30	17

Hook cam (CC: 29)

### PRODUCT CODE

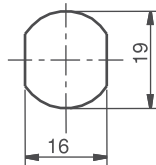
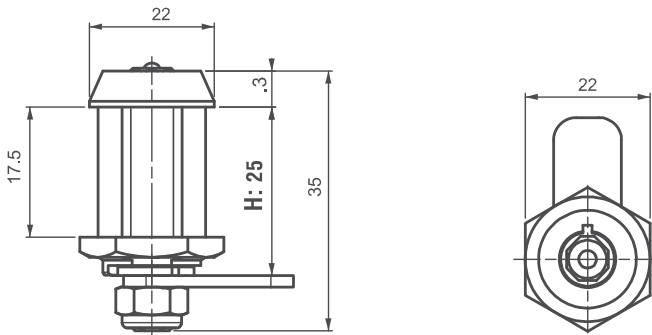
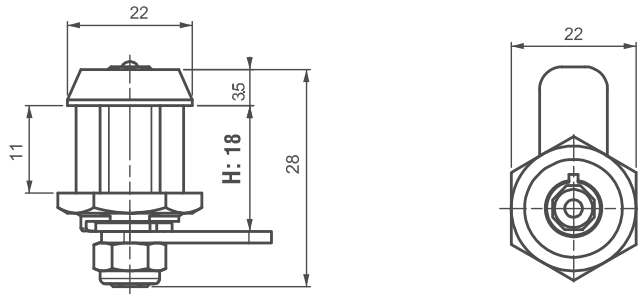


CYLINDER	SPECIFICATIONS	DD
	Keyed alike (Stainless steel dust cap)	03
	Keyed differ (Stainless steel dust cap)	32



056

CAM LATCH



Cut out

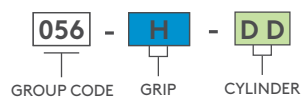


- High-security latch
- Unique key combination available
- Two different housing lengths (18 mm and 25 mm)
- For different cam alternatives contact Essentra

**MATERIAL**

HOUSING: Brass  
 CAM: Steel  
 NUT: Brass

**PRODUCT CODE**



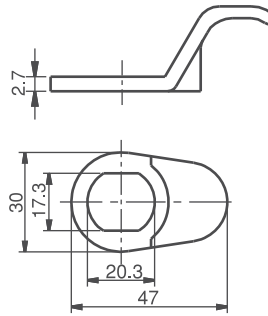
CYLINDER	SPECIFICATIONS	DD
	Keyed alike (Stainless steel dust cap)	03
	Keyed differ (Stainless steel dust cap)	32

For cams please check page: 175

# CAM LATCHES

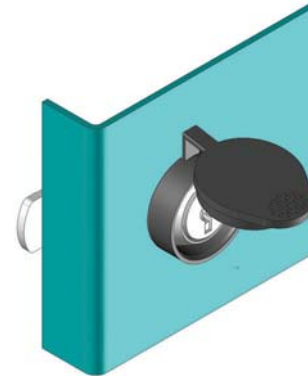
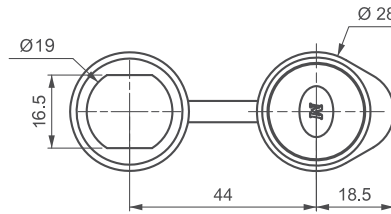
HANDLE FOR LATCH

050 A3



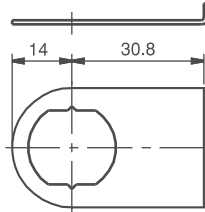
DUST CAP

050 A4



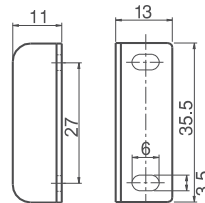
CAM LATCH FIXING PLATE FOR GLASS

050 A1



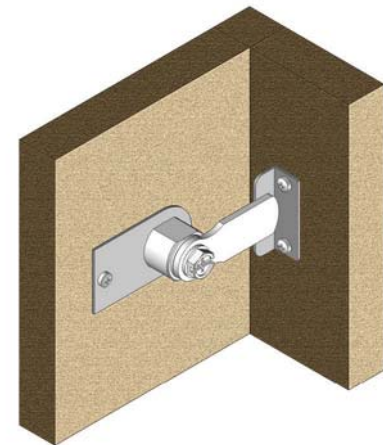
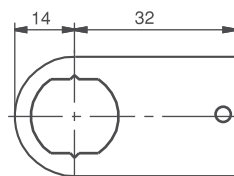
STRIKING PLATE

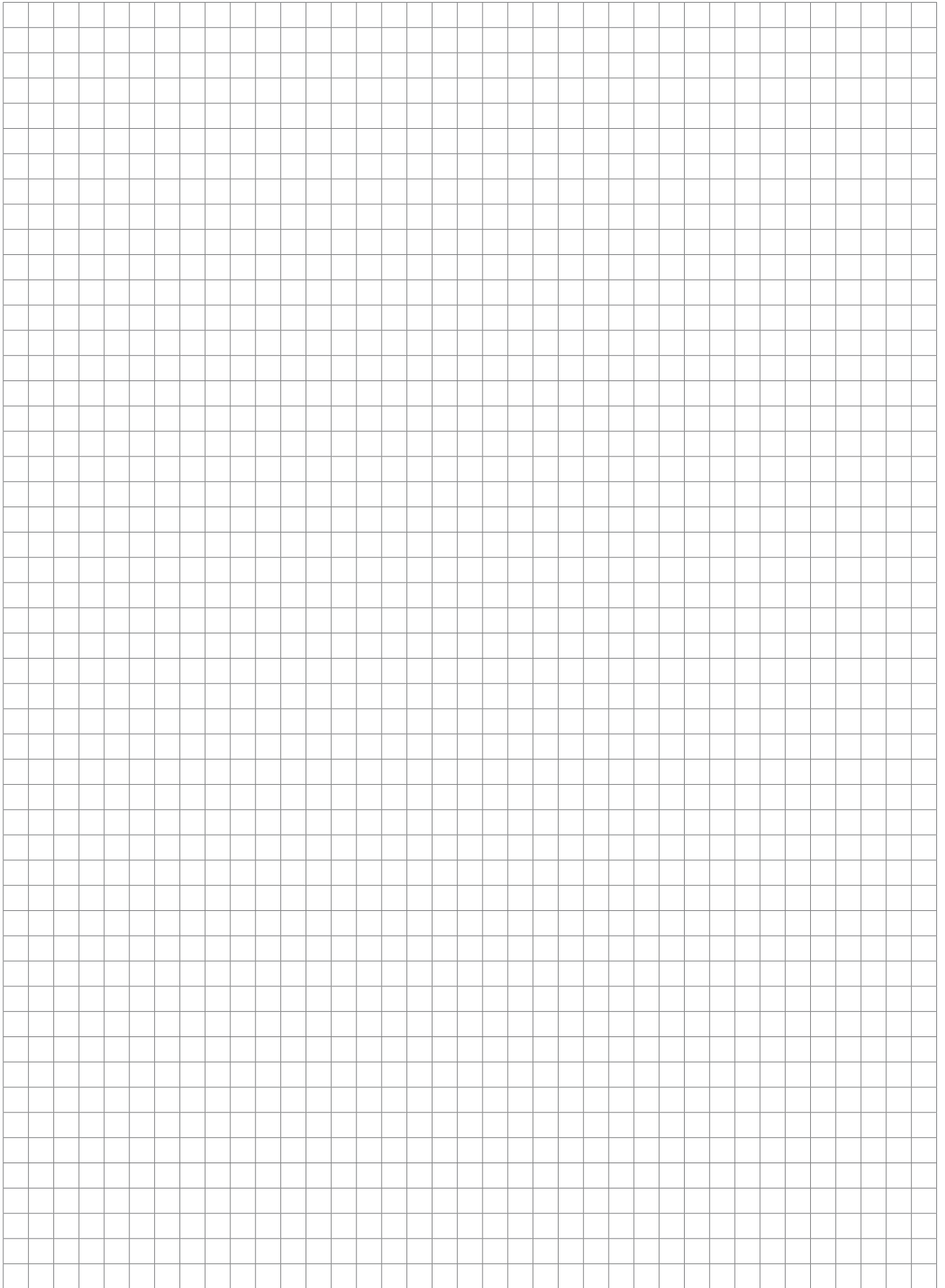
030 A1



CAM LATCH FIXING PLATE FOR WOOD

055 A1







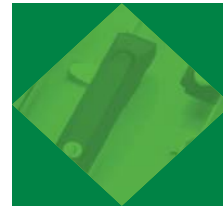


## LATCHES/LOCKS



# FURNITURE & STEEL CUPBOARD LOCKS

GROUP CODE	PRODUCT NAME
010	CAM LATCH – T HANDLE
011	CAM LATCH – L HANDLE
020	SLIDING-GLASS DOOR LOCK
021	GLASS-DOOR LOCK
030	FURNITURE LOCK
032	FURNITURE LOCK
033	FURNITURE LOCK
4150	COMBINATION LOCK
059	SLIDING-DOOR LOCK
058	STEEL CUPBOARD LOCK
035	STEEL CUPBOARD LOCK
013	FIRE-HOSE CABINET LOCK



**PAGE**

274

274

275

275

276

276

277

278

279

280

281

282 - 283



p274



p276



p281

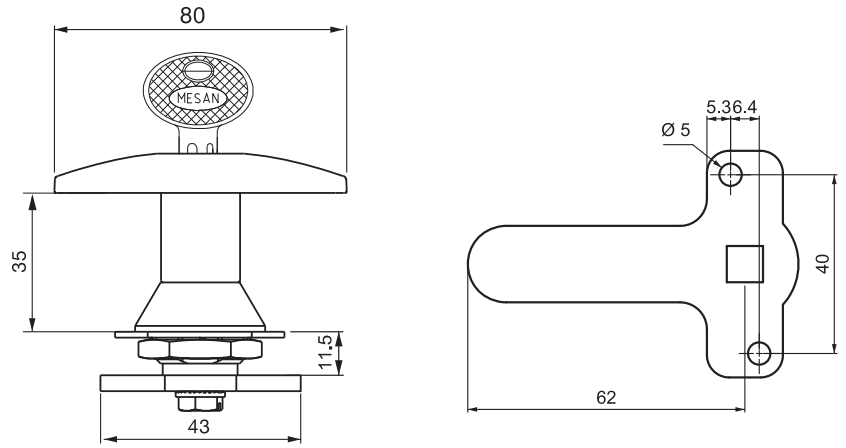


p282

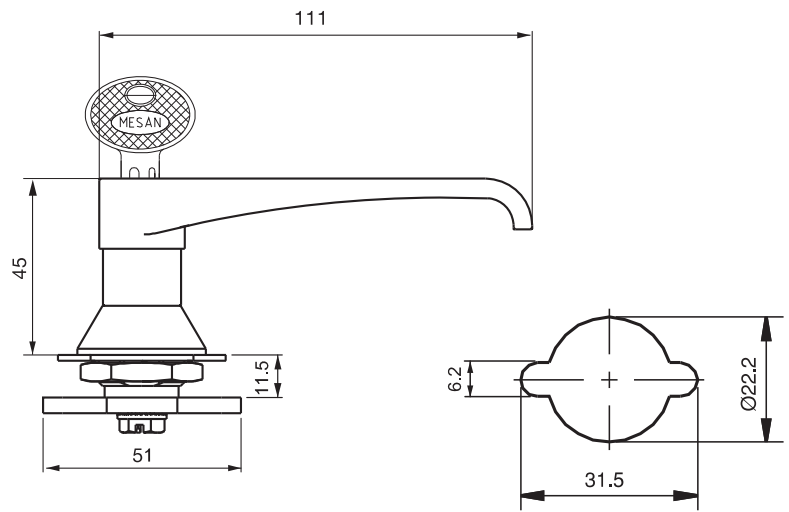
# STEEL CUPBOARD LOCKS

## CAM LATCH - T HANDLE

010



**MATERIAL**  
**HOUSING:** Zinc Alloy DIN-EN 1774-ZnAl4Cu1  
**HANDLE:** Zinc Alloy DIN-EN 1774-ZnAl4Cu1  
**CAM:** Steel



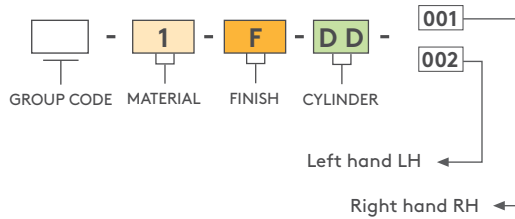
Cut Out

## CAM LATCH - L HANDLE

011



### PRODUCT CODE



**MATERIAL**  
**HOUSING:** Zinc Alloy DIN-EN 1774-ZnAl4Cu1  
**HANDLE:** Zinc Alloy DIN-EN 1774-ZnAl4Cu1  
**CAM:** Steel

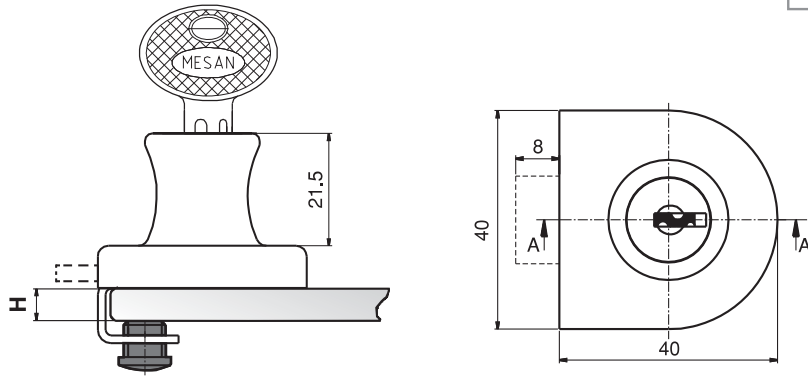
MATERIAL	M	FINISH	F
Zinc Alloy	1	Chrome	1
		Black coated	2

CYLINDER	SPECIFICATIONS	DD
	No cylinder	00
	Keyed alike	01
	Keyed differ	02
	Euro key (5333)	05
	CH751 (Stainless steel dust cap)	07

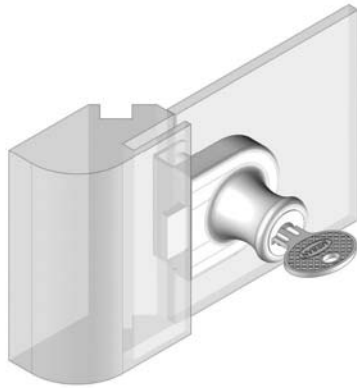


021

GLASS-DOOR LOCK



H: Glass Thickness  
min : 4 mm  
max: 7 mm

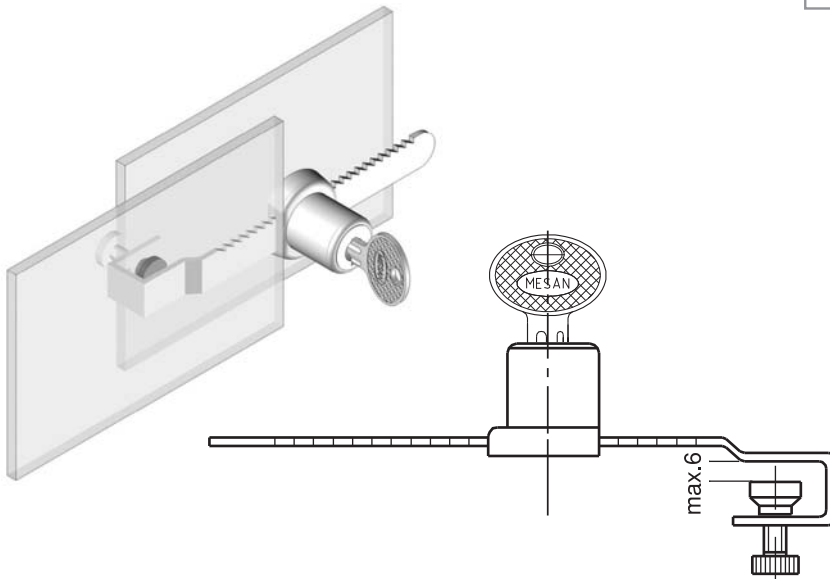


**MATERIAL**  
BODY: Zinc Alloy DIN-EN  
1774-ZnAl4Cu1

**FINISH**  
Chrome plated

020

SLIDING-GLASS DOOR LOCK



**MATERIAL**  
BODY: Zinc Alloy DIN-EN  
1774-ZnAl4Cu1  
SLIDE: Stainless steel (AISI 304)

**FINISH**  
Chrome plated

**PRODUCT CODE**



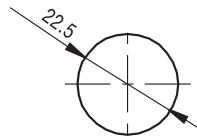
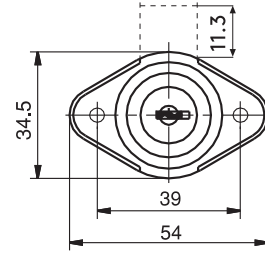
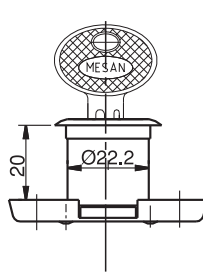
GROUP CODE CYLINDER

CYLINDER	SPECIFICATIONS	DD
	Keyed alike	01
	Keyed differ	02

# FURNITURE LOCKS

## FURNITURE LOCK

030



Cut Out



### MATERIAL

BODY: Zinc Alloy DIN-EN 1774-ZnAl4Cu1

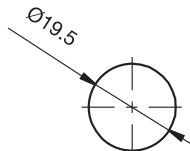
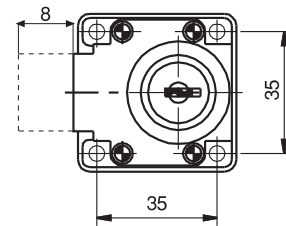
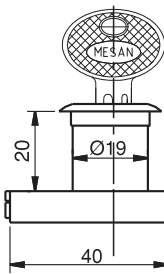
CAM: Steel

### FINISH

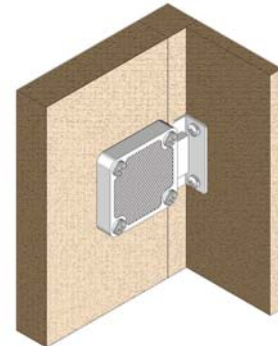
Chrome plated

## FURNITURE LOCK

032



Cut Out



### MATERIAL

BODY: Zinc Alloy DIN-EN 1774-ZnAl4Cu1

CAM: Steel

### FINISH

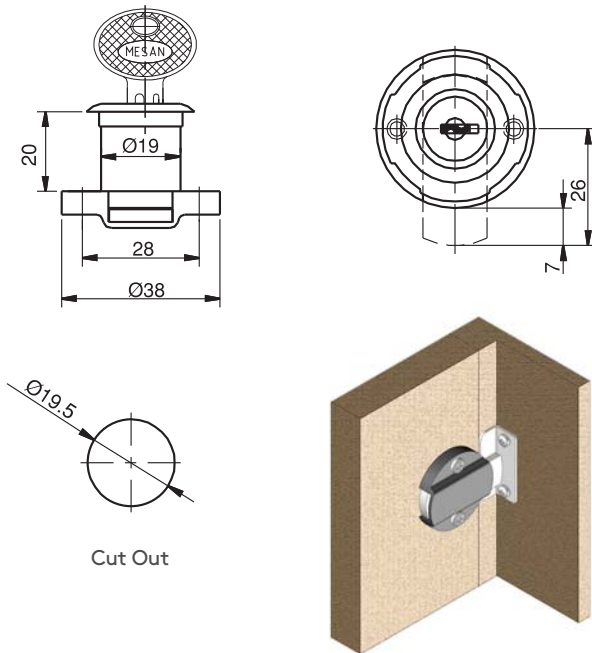
Chrome plated

### PRODUCT CODE



GROUP CODE CYLINDER

CYLINDER	SPECIFICATIONS	DD
	Keyed alike	01
	Keyed differ	02



033

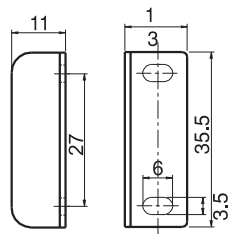
FURNITURE LOCK



**MATERIAL**  
 BODY: Polyamide DIN-EN  
 ISO 10431 Pa6 GFR 30  
 CAM: Steel

030 A1

STRIKING PLATE



**MATERIAL**  
 Steel  
  
**FINISH**  
 Zinc plated

PRODUCT CODE

033 - DD

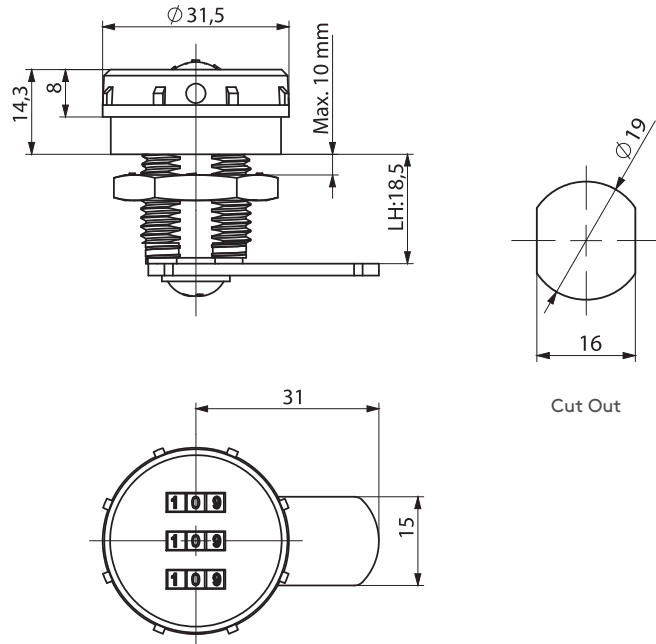
GROUP CODE CYLINDER

CYLINDER	SPECIFICATIONS	DD
	Keyed alike	01
	Keyed differ	02

**COMBINATION LOCK**

**4150**

**New**



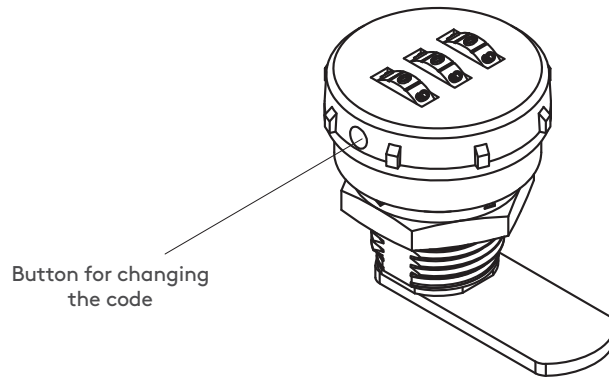
**MATERIAL**

BODY: Zinc Alloy DIN-EN  
1774-ZnAl4Cu1

CAM: Steel

**FINISH**

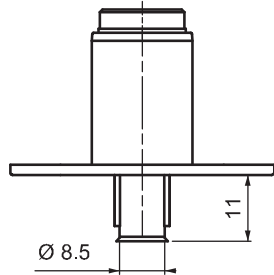
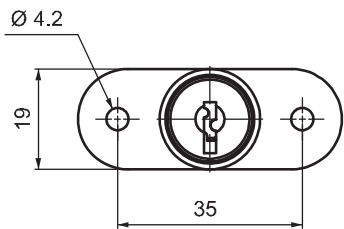
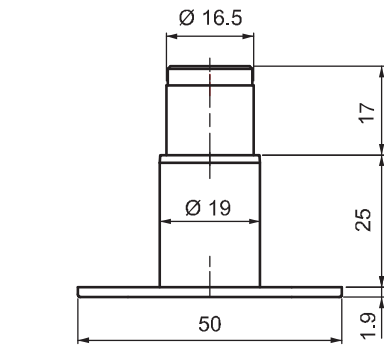
Chrome plated





059

SLIDING-DOOR LOCK



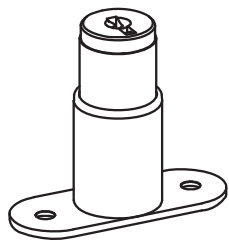
- Suitable for horizontal refrigerators
- Key alike and key differ available

**MATERIAL**

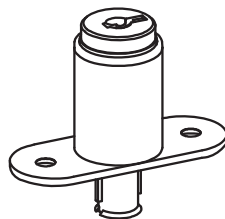
BODY: Zinc Alloy DIN-EN 1774-ZnAl4Cu1  
 CYLINDER: Zinc Alloy DIN-EN 1774-ZnAl4Cu1

**FINISH**

Chrome plated



Unlocked position



Locked position

**PRODUCT CODE**

059 - DD

GROUP CODE CYLINDER

CYLINDER	SPECIFICATIONS	DD
	Keyed alike	01
	Keyed differ	02



# STEEL CUPBOARD LOCKS

## STEEL CUPBOARD LOCK

058



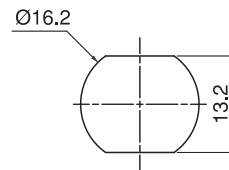
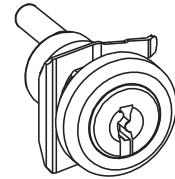
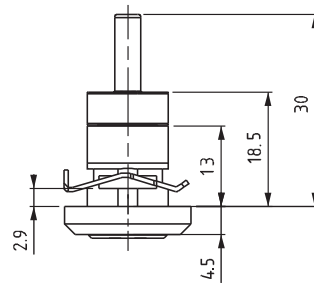
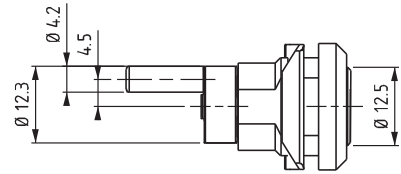
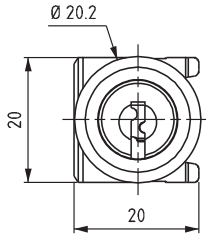
- Primarily for central locking applications
- Clip fixing

### MATERIAL

BODY: Zinc Alloy DIN-EN 1774-ZnAl4Cu1  
 CYLINDER: Zinc Alloy DIN-EN 1774-ZnAl4C1

### FINISH

Chrome plated




Cut Out

### PRODUCT CODE

058 - DD

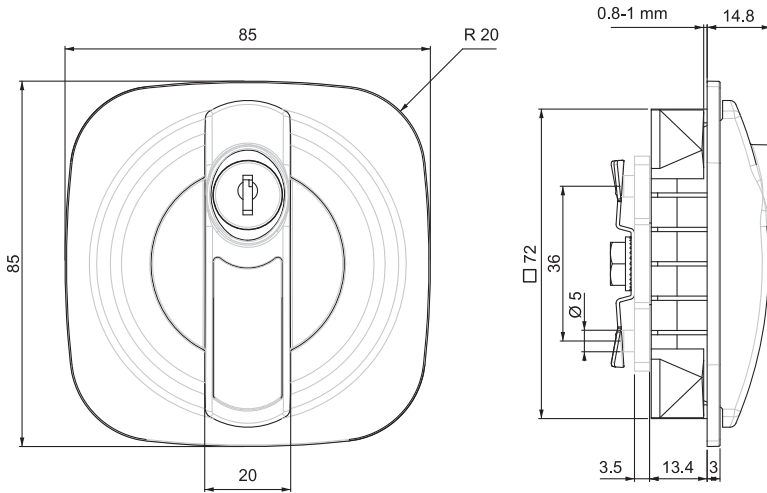
GROUP CODE CYLINDER

CYLINDER	SPECIFICATIONS	DD
	Keyed alike	01
	Keyed differ	02



035

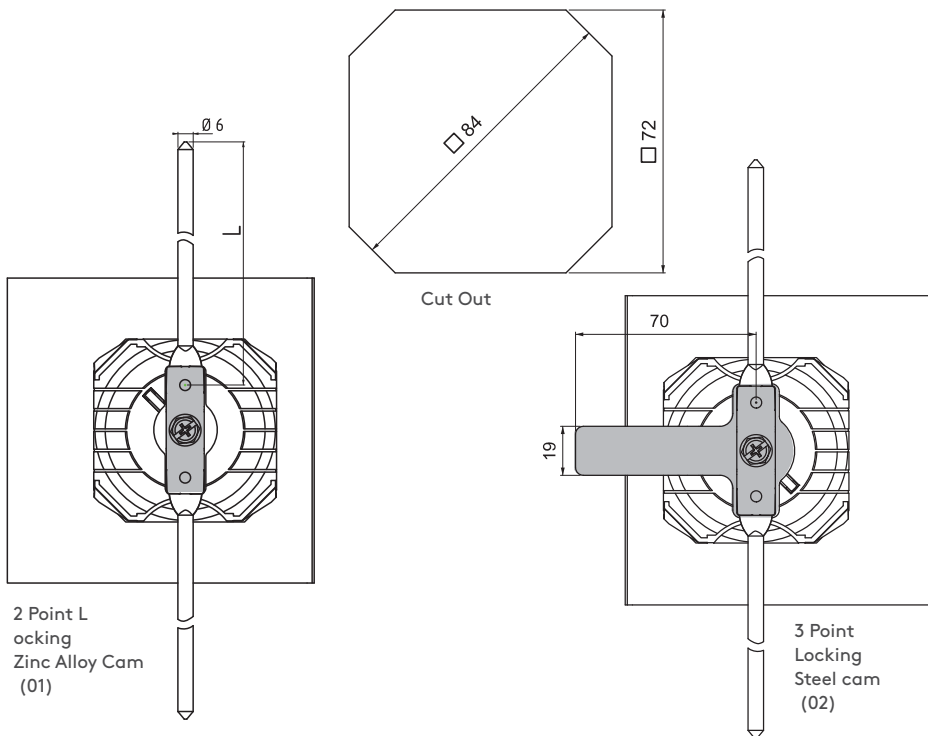
STEEL CUPBOARD LOCK



- Suitable for steel cupboards
- Easy rod assembly with special fixing plate
- Easy assembly with clips on body
- Two- or three-point locking optional

**MATERIAL**

**BODY:** Polyamide DIN-EN ISO 1043-1 Pa6 GFR 30  
**KNOB:** Zinc Alloy DIN-EN 1774-ZnAl4Cu1



01

Zinc Alloy cam

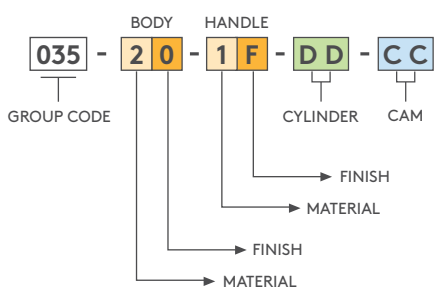


02

Steel cam



**PRODUCT CODE**



MATERIAL	M
Zinc Alloy	1
Plastic	2

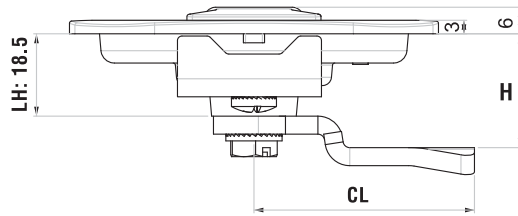
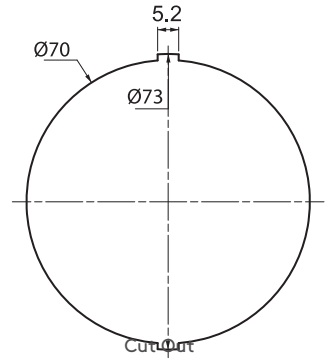
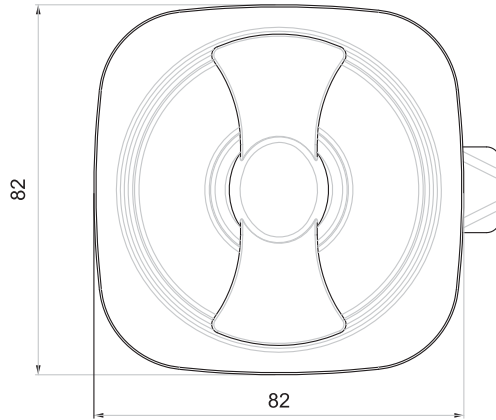
FINISH	F
Chrome	1
Black coated	2
Gray coated	3
No finish	0

CYLINDER	SPECIFICATIONS	
	Keyed alike	01
	Keyed differ	02
	Master system	04
		DD

# STEEL CUPBOARD LOCKS

## FIRE HOSE CABINET LOCK

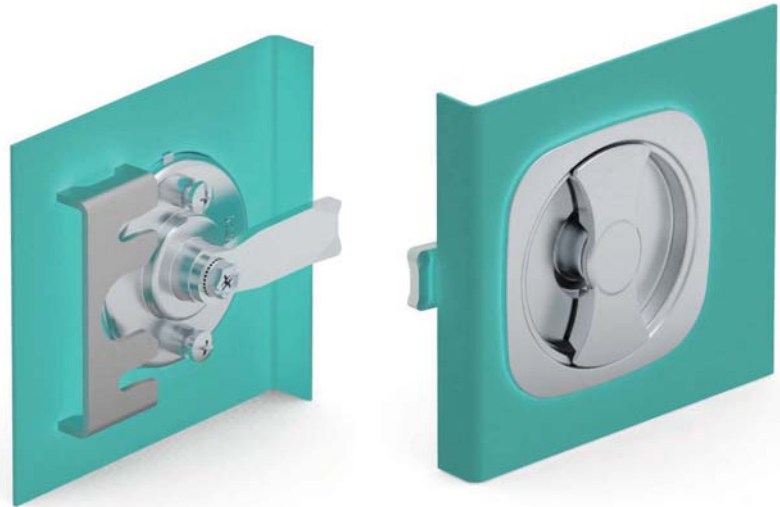
**013**



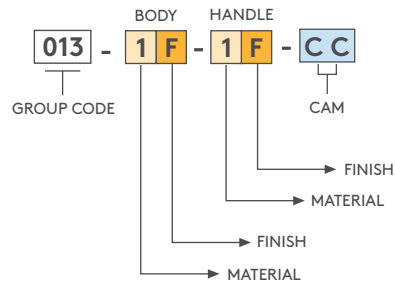
- Designed for fire-hose cabinets
- Special fixing-plate supplied for easy fixing
- Flush design provides flat surface on cabinet
- Customized color available

**MATERIAL**

**BODY:** Zinc Alloy DIN-EN 1774-ZnAl4Cu1  
**KNOB:** Zinc Alloy DIN-EN 1774-ZnAl4Cu1  
**CAM:** Steel  
**FIXING PLATE:** Steel



**PRODUCT CODE**



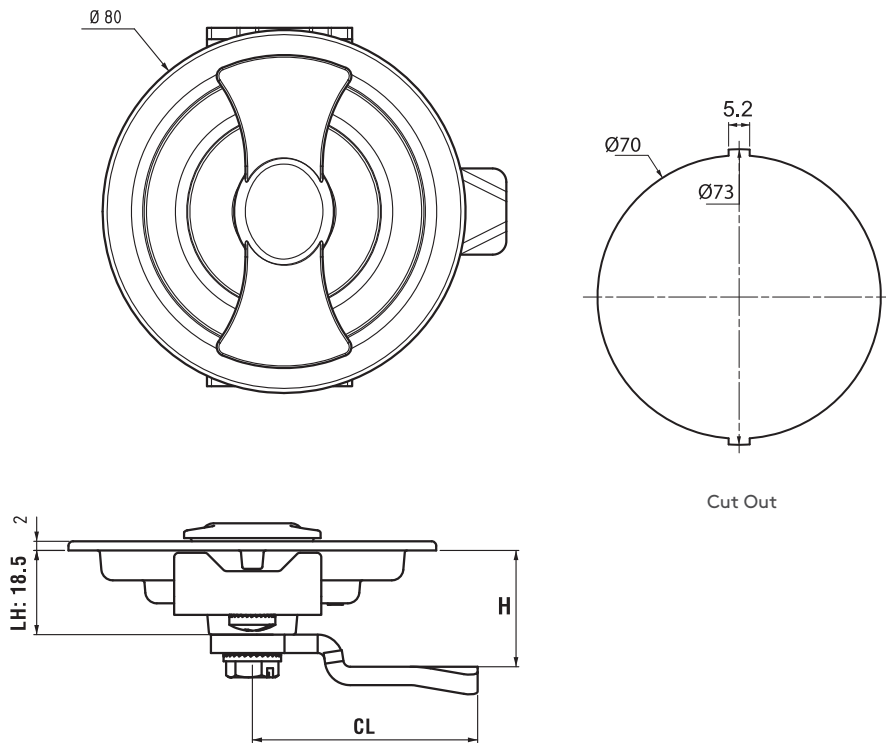
MATERIAL	M	FINISH	F
Zinc Alloy	1	Chrome	1
		Black coated	2

For cams please check pages: 172 - 173



013

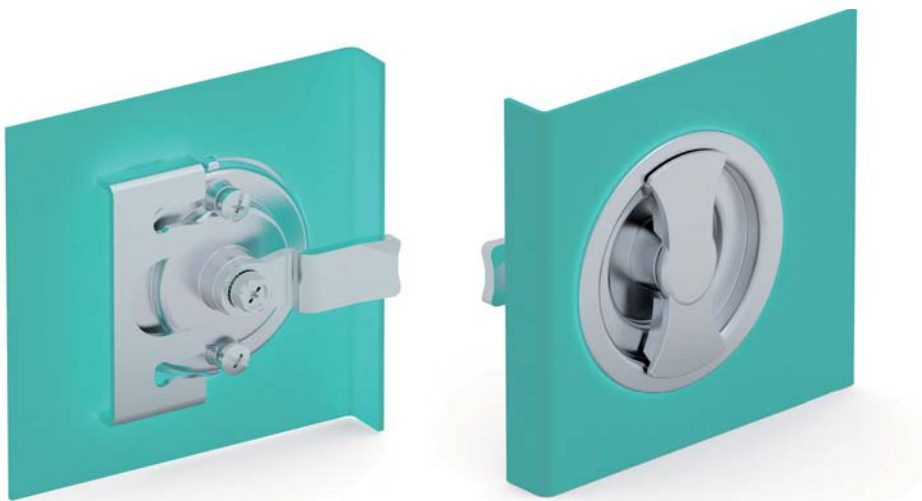
FIRE-HOSE CABINET LOCK



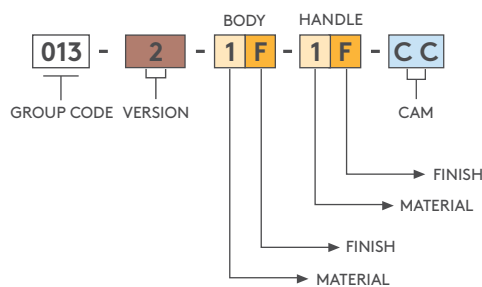
- Designed for fire-hose cabinet
- Special fixing plate supplied for easy fixing
- Flush design provides flat surface on cabinet
- Customized color available

**MATERIAL**

BODY: Zinc Alloy DIN-EN 1774-ZnAl4Cu1  
 KNOB: Zinc Alloy DIN-EN 1774-ZnAl4Cu1  
 CAM: Steel  
 FIXING PLATE: Steel



**PRODUCT CODE**



MATERIAL	M	FINISH	F
Zinc Alloy	1	Chrome	1
		Black coated	2

For cams please check pages: 172 - 173

# HINGES



## SIDE HINGES

GROUP CODE	PRODUCT NAME
090	SIDE HINGE (10 MM)
091	SIDE HINGE (12 MM)
092	SIDE HINGE (12 MM)
192	SIDE HINGE (12 MM)
093	SIDE HINGE (16 MM)
193	SIDE HINGE (16 MM)
793	SIDE HINGE
893	SIDE HINGE
191	SIDE HINGE
1093	SIDE HINGE
993	SIDE HINGE
1193	SIDE HINGE
293	SIDE HINGE
393	SIDE HINGE
493	SIDE HINGE
593	SIDE HINGE
693	SIDE HINGE



**PAGE**

286

286

286

287

287

287

288

289

290

291

292

293

294

294

295

296

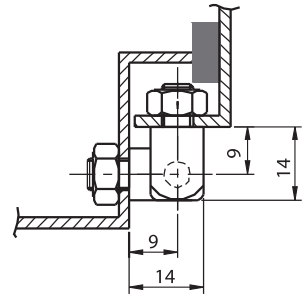
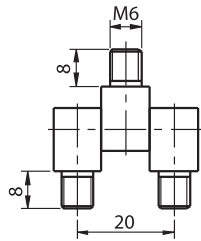
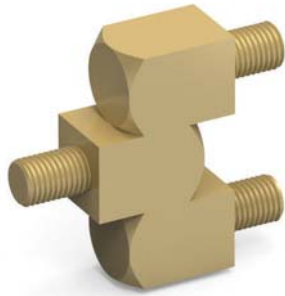
297



# SIDE HINGES

## SIDE HINGE (10 mm bar)

**090**



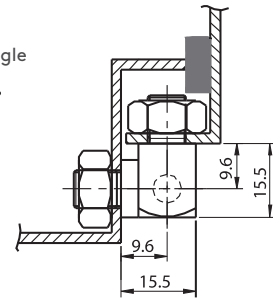
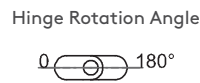
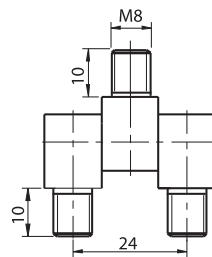
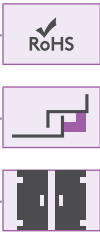
- Side-mounted hinge
- Hinge supplied in a unassembled state. For different dimensions contact Essentra

MATERIAL	M
Brass	3

FINISH	F
No finish	0
Nickel	4

## SIDE HINGE (12 mm bar)

**091**



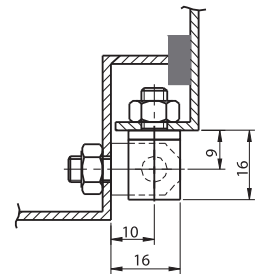
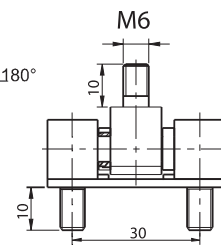
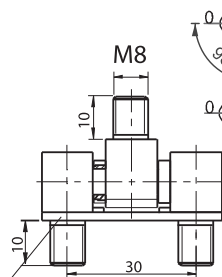
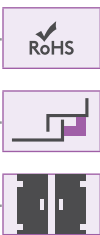
- Side-mounted hinge
- Hinge supplied in a unassembled state. For different dimensions contact Essentra Components

MATERIAL	M
Brass	3

FINISH	F
No finish	0
Nickel	4

## SIDE HINGE (12 mm bar)

**092**



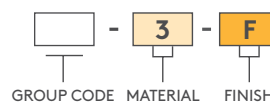
M8 → 092 M-F- 8-90°  
092 M-F- 8-180°

M6 → 092 M-F- 6-90°  
092 M-F- 6-180°

Fixing plate

- Stainless steel version: page 516
- Side-mounted hinge
- Brass 12 mm parts and bearings
- Parts are assembled by fixing plate. For different dimensions contact Essentra Components
- 90° and 180° angle versions are available

### PRODUCT CODE

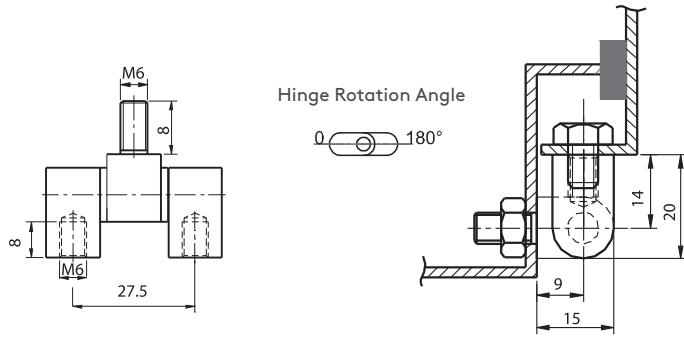


MATERIAL	M
Brass	3

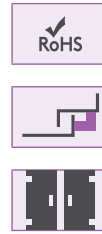
FINISH	F
No finish	0
Chrome	1

192

SIDE HINGE (12 mm bar)



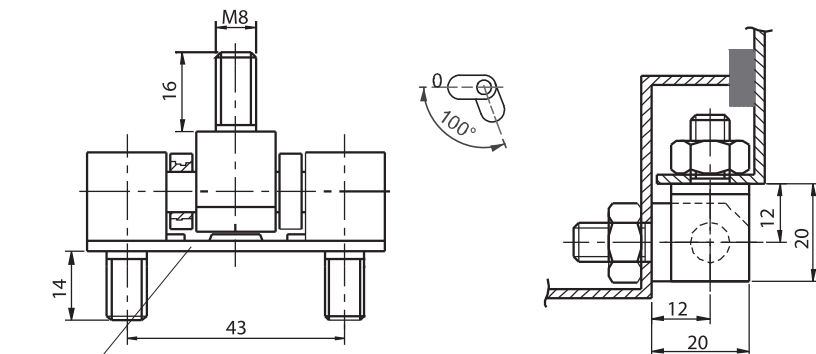
MATERIAL	M	FINISH	F
Brass	3	Chrome	1



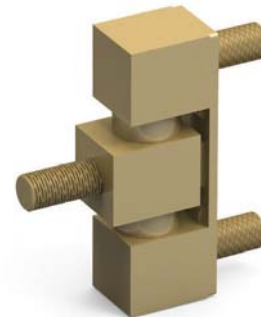
- Side-mounted hinge
- Brass 12 mm parts and bearings
- Parts tightly fitted

093

SIDE HINGE (16 mm bar)



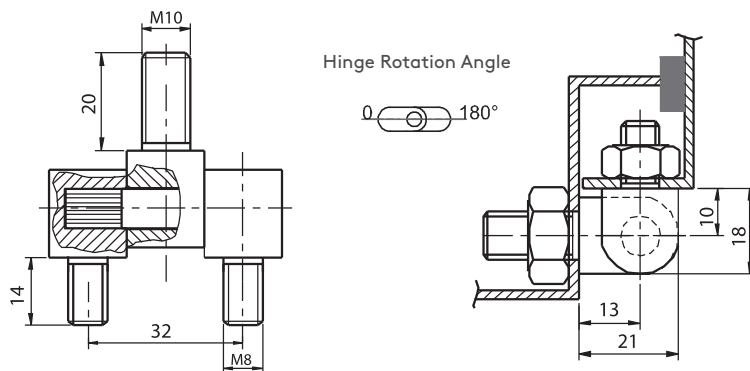
MATERIAL	M	FINISH	F
Brass	3	No finish	0
		Chrome	1



- Side-mounted hinge
- Brass 16 mm parts and bearings
- Parts assembled by fixing plate

193

SIDE HINGE (16 mm bar)

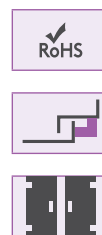


PRODUCT CODE

  - 3 - F

GROUP CODE MATERIAL FINISH

MATERIAL	M	FINISH	F
Brass	3	Chrome	1



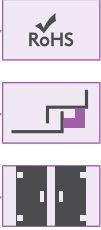
- Stainless steel version: page 517
- Side-mounted hinge
- Brass 16 mm parts
- Parts tightly fitted



# SIDE HINGES

## SIDE HINGE

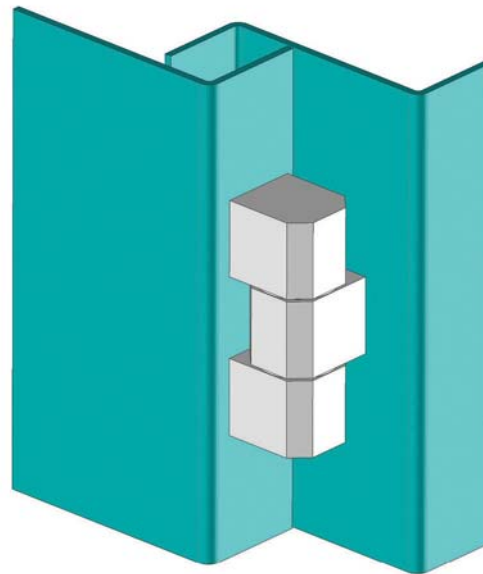
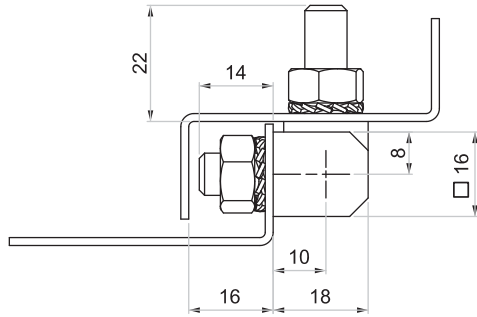
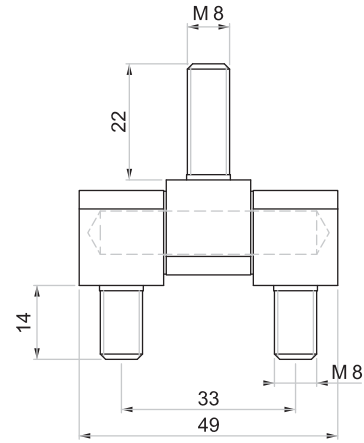
793



- For medium voltage and heavy door panels
- Hinge parts produced from steel

**MATERIAL**  
Steel

**FINISH**  
Zinc plated

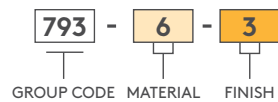


Hinge Rotation Angle



**⚠ Note:** Nuts and washers are not supplied.

### PRODUCT CODE



MATERIAL	M	FINISH	F
Steel	6	Zinc plated	3



893

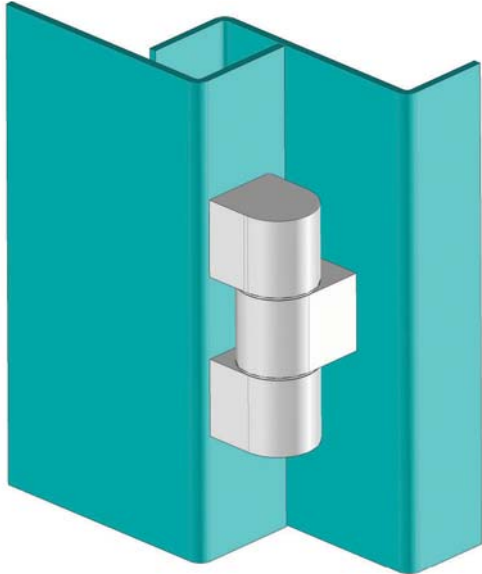
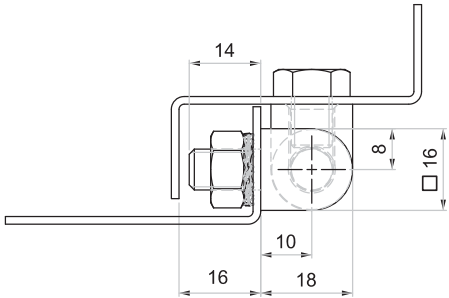
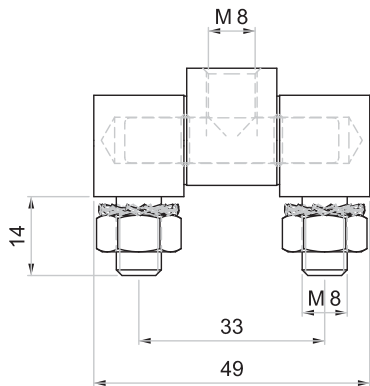
SIDE HINGE



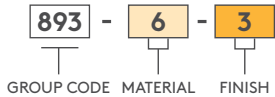
- For medium voltage and heavy door panels
- Assembled using special screws (supplied)
- Hinge supplied in a unassembled state

**MATERIAL**  
C45 Steel, hardened

**FINISH**  
Zinc plated



PRODUCT CODE



MATERIAL	M	FINISH	F
Steel	6	Zinc plated	3

Hinge Rotation Angle

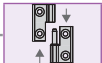


**⚠ Note:** Nuts and washers are not supplied.

# SIDE HINGES

SIDE HINGE (10 mm)

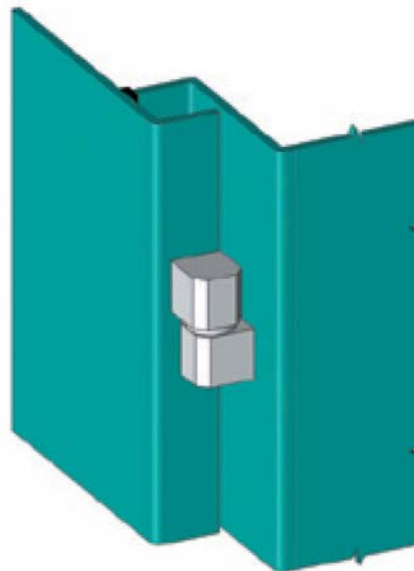
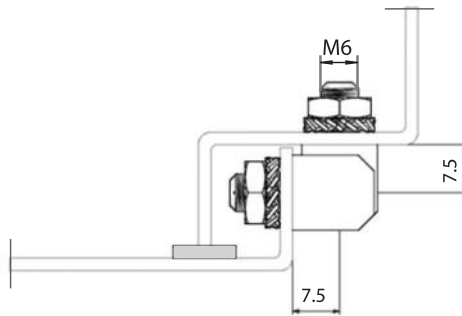
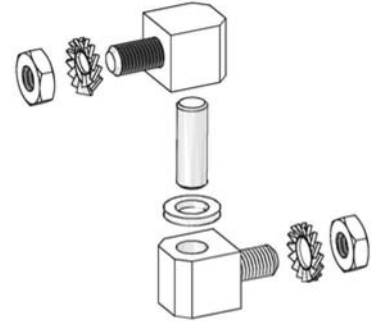
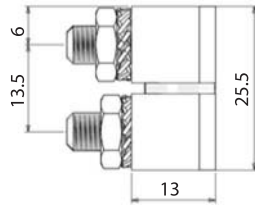
191



- Side-mounted hinge
- Steel 12 mm parts

**MATERIAL**  
Steel

**FINISH**  
Zinc plated

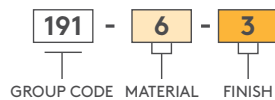


Hinge Rotation Angle



**Note:** Nuts and washers are supplied.

PRODUCT CODE





1093

SIDE HINGE



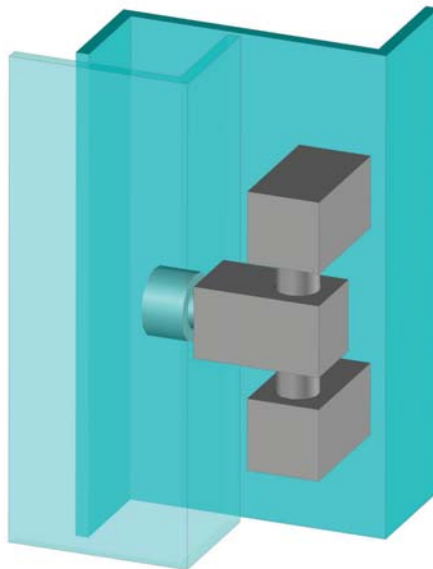
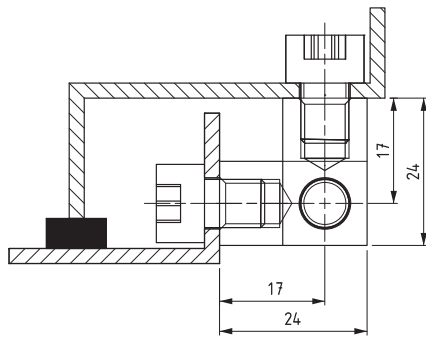
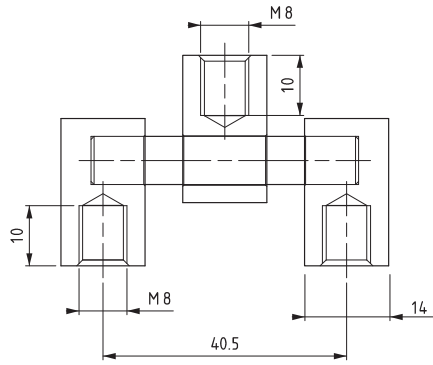
- Side-mounted hinge
- Pin Length can be modified
- For different length contact  
Essentra Components

**MATERIAL**

BODY: Brass  
PIN: Steel

**FINISH**

Chrome Plated



Hinge Rotation Angle



**PRODUCT CODE**

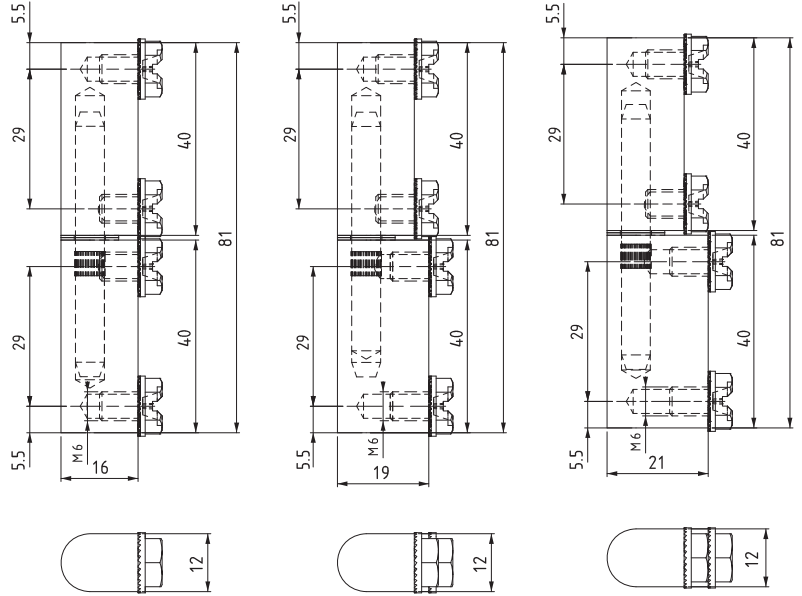
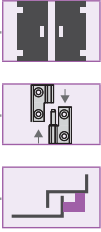
1093 - 3 - 1

GROUP CODE MATERIAL FINISH

# SIDE HINGES

## SIDE HINGE

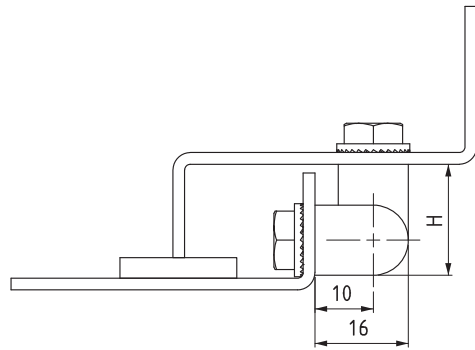
993



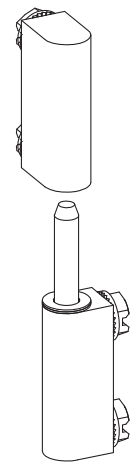
- Side-mounted hinge
- Brass 12 mm parts

**MATERIAL**  
Brass

**FINISH**  
Chrome plated



H
16
19
21

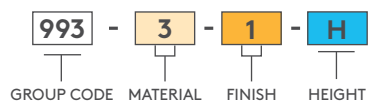


**Note:** Bolts are supplied

Hinge Rotation Angle



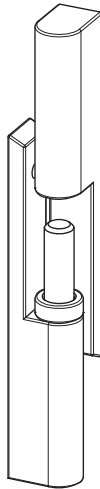
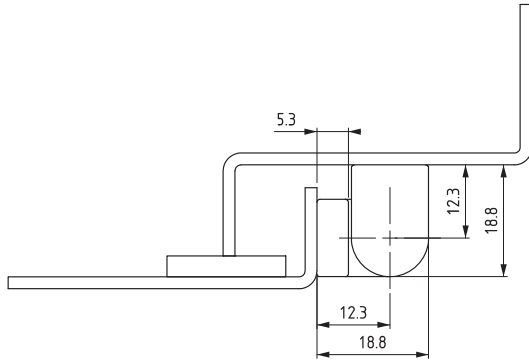
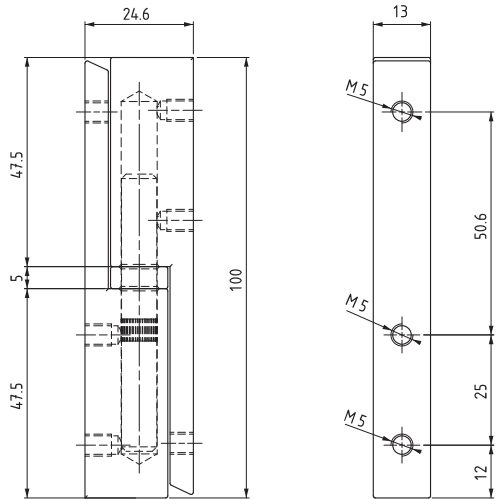
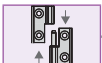
**PRODUCT CODE**





1193

SIDE HINGE



**MATERIAL**  
 BODY: Steel  
 PIN: Stainless Steel

**FINISH**  
 Chrome or black coated

**⚠ Note:** Bolts are not supplied

PRODUCT CODE

1193 - 6 - F

GROUP CODE MATERIAL FINISH

MATERIAL	M
Steel	6

FINISH	F
No finish	0
Chrome	1
Black coated	2

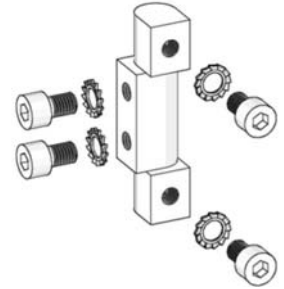
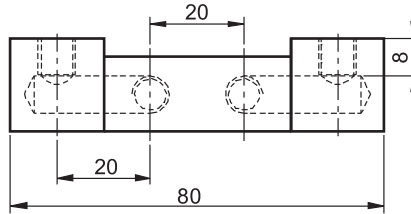
Hinge Rotation Angle



# SIDE HINGES

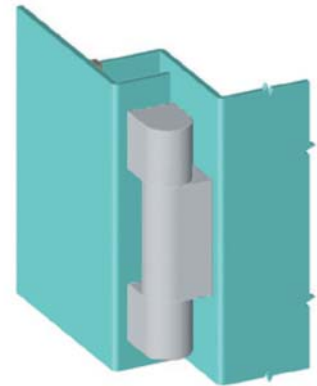
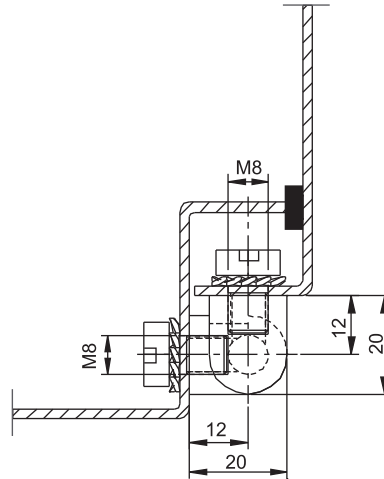
## SIDE HINGE

393



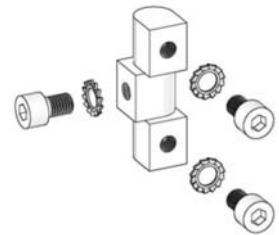
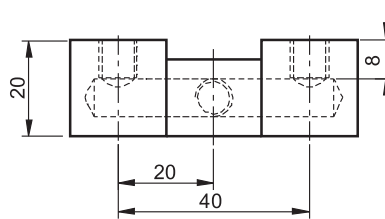
- For medium voltage and heavy door panels
- Chrome-plated brass
- Assembled using special screws (supplied)
- Parts supplied separately

**MATERIAL**  
BRASS: DIN 17672 CuZn39Pb3



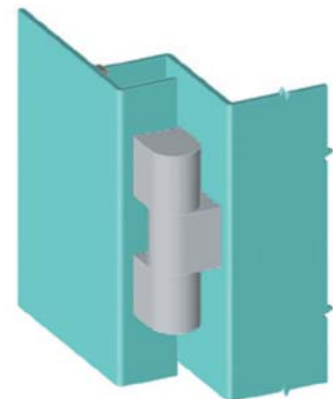
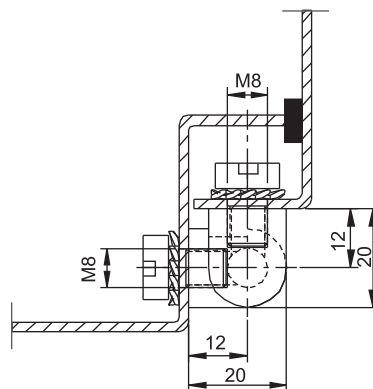
## SIDE HINGE

293



- For medium voltage and heavy door panels
- Chrome-plated brass
- Assembled using special screws (supplied)
- Parts supplied separately

**MATERIAL**  
BRASS: DIN 17672 CuZn39Pb3

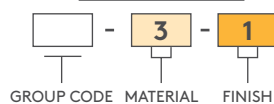


Hinge Rotation Angle



**⚠ Note:** Bolts and washers are supplied

### PRODUCT CODE



MATERIAL	M	FINISH	F
Brass	3	Chrome	1

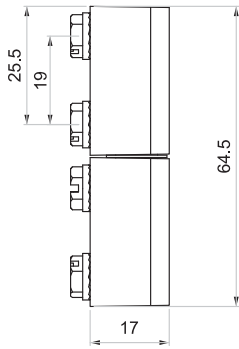


493

SIDE HINGE

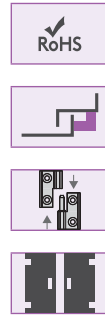
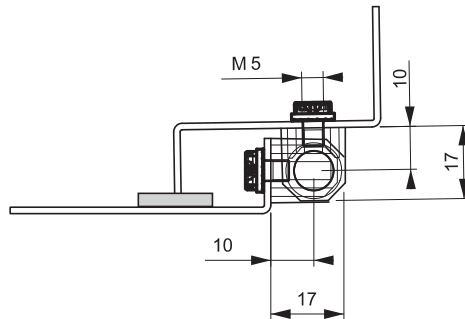
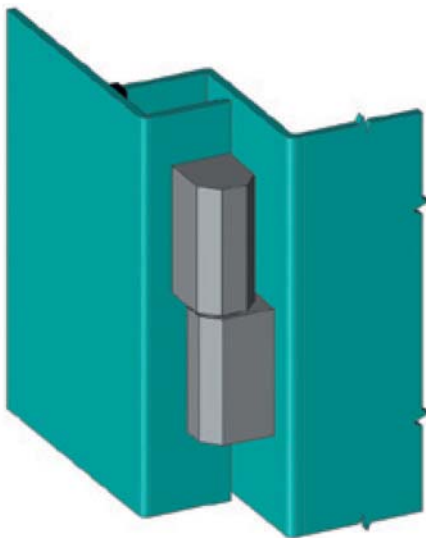
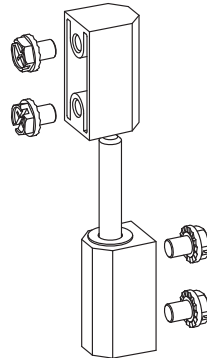
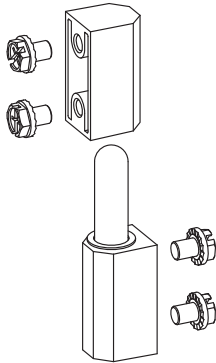
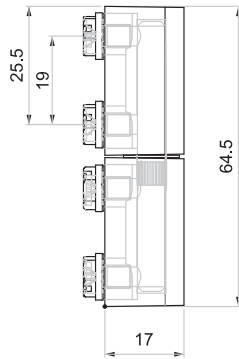
V : 1

Fixed Zinc Alloy pin



V : 2

Stainless steel pin

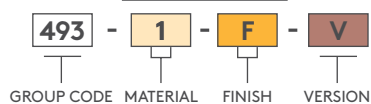


- Lift-off hinge
- Suitable for left- and right-hand applications
- Maximum hinge rotation 180°
- For heavy doors, version 2 is recommended due to its stainless steel properties

MATERIAL

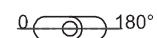
Zinc Alloy DIN-EN 1774-ZnAl4Cu1  
 PIN: V1: Zinc Alloy DIN-EN 1774-ZnAl4Cu1  
 PIN: V2: Stainless Steel

PRODUCT CODE



MATERIAL	M	FINISH	F
Zinc Alloy	1	Chrome	1
		Black coated	2

Hinge Rotation Angle



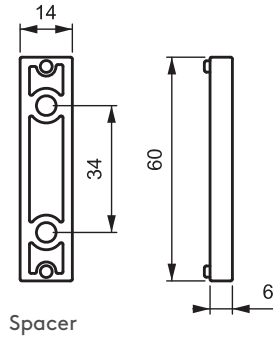
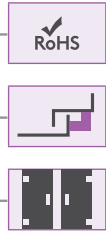
**Note:** Bolts are supplied



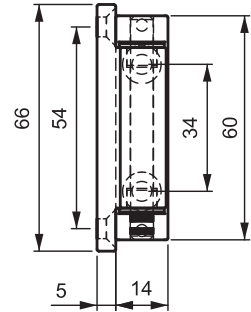
# SIDE HINGES

SIDE HINGE

593



Spacer



Standard version

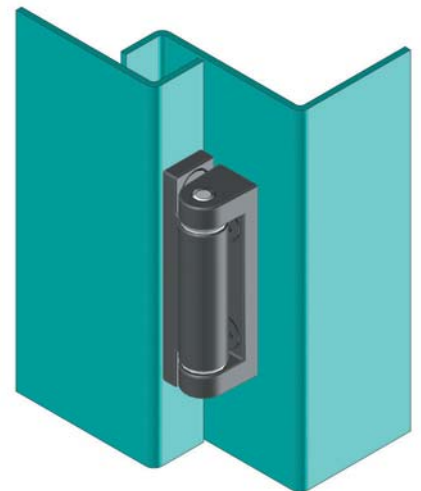
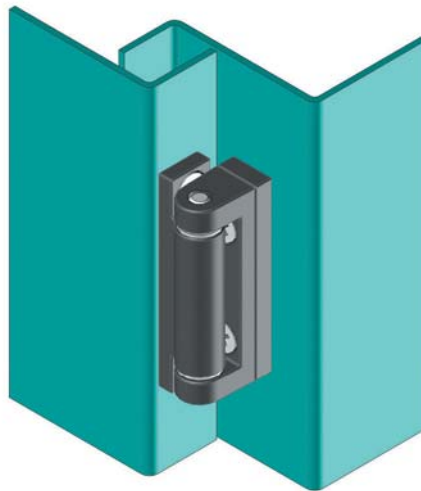
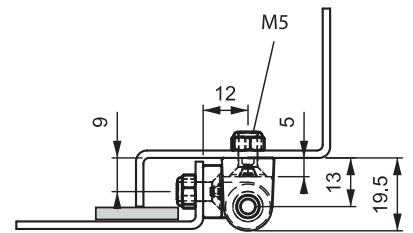
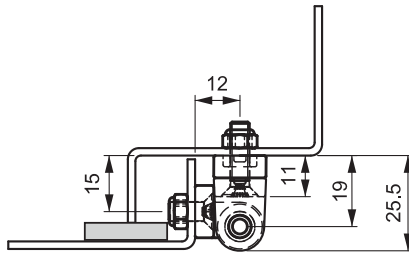
- Spacer bar available for different dimensions
- Stainless steel hinge pin

**MATERIAL**

Zinc Alloy DIN-EN 1774-ZnAl4Cu1  
PIN: Stainless Steel

Spacer version  
**593 1-F-25**

**593 1-F-19**

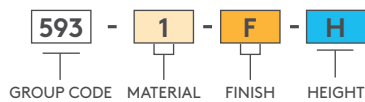


Hinge Rotation Angle



**Note:** Bolts are not supplied

**PRODUCT CODE**



MATERIAL		FINISH	
	M		F
Zinc Alloy	1	Chrome	1
		Black coated	2



693

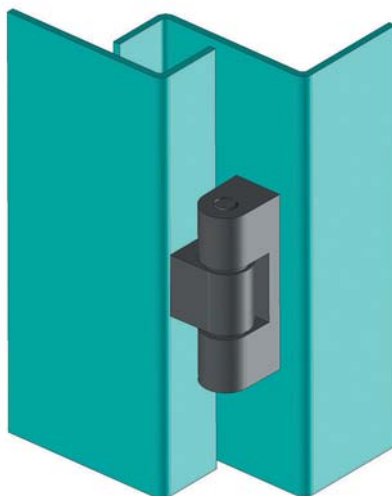
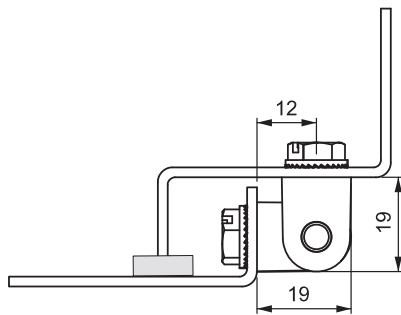
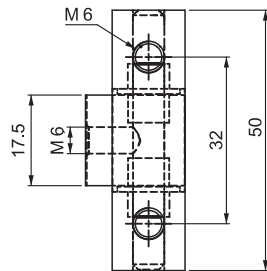
SIDE HINGE



- Side-mounted hinge
- Stainless steel hinge pin
- Supplied assembled

**MATERIAL**

Zinc Alloy DIN-EN 1774-ZnAl4Cu1  
PIN: Stainless Steel



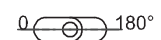
PRODUCT CODE

693 - 1 - F

GROUP CODE MATERIAL FINISH

MATERIAL	M	FINISH	F
Zinc Alloy	1	Chrome	1
		Black coated	2

Hinge Rotation Angle



# HINGES



## CONCEALED HINGES

GROUP CODE	PRODUCT NAME
094	CONCEALED HINGE
194	CONCEALED HINGE
096	CONCEALED HINGE
296	CONCEALED HINGE
196	CONCEALED HINGE
1495	CONCEALED HINGE
095	CONCEALED HINGE
195	CONCEALED HINGE
295	CONCEALED HINGE
395	CONCEALED HINGE
695	CONCEALED HINGE
795	CONCEALED HINGE
1795	CONCEALED HINGE
895	CONCEALED HINGE
1095	CONCEALED HINGE
995	CONCEALED HINGE
1995	CONCEALED HINGE
595	CONCEALED HINGE
189	SPRING LOADED
389	SPRING LOADED
089	SPRING LOADED
289	CONCEALED HINGE
394	CONCEALED HINGE
294	CONCEALED HINGE



**PAGE**

300

301

302 - 303

304 - 305

306

307

308 - 309

310 - 311

312 - 313

314 - 315

316 - 317

318

319

320

321

322 - 323

324

325, 332

326

327

328

329

330

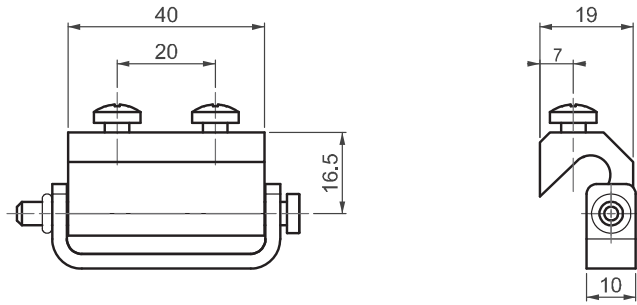
331



# ▶ CONCEALED HINGES

## CONCEALED HINGE

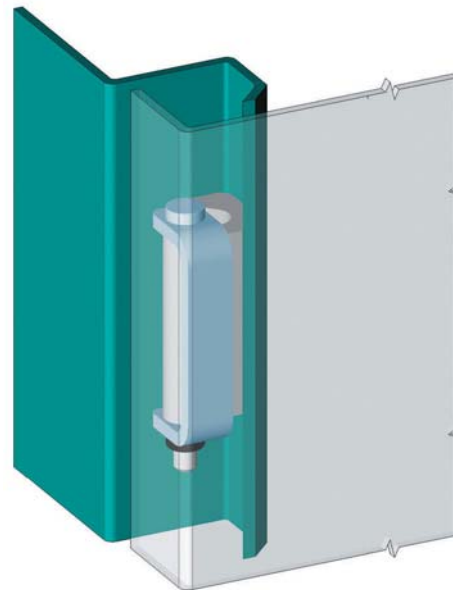
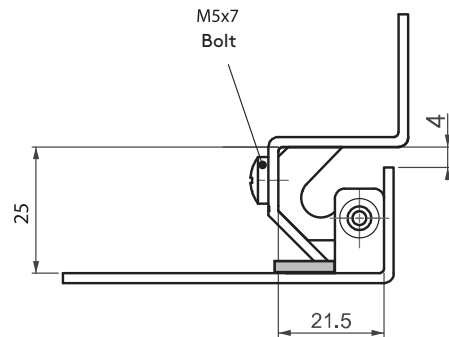
**094**



- For 25 mm folded doors
- Middle part copper plated for easy welding

**MATERIAL**  
 BODY: Zinc Alloy DIN-EN 1774-ZnAl4Cu1 or Aluminium  
 FIXED PART: Steel

**FINISH**  
 BODY: Zinc plated  
 FIXED PART: Copper plated



Hinge Rotation Angle

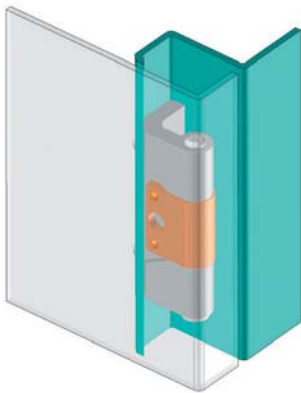


**⚠ Note:** Bolts are supplied

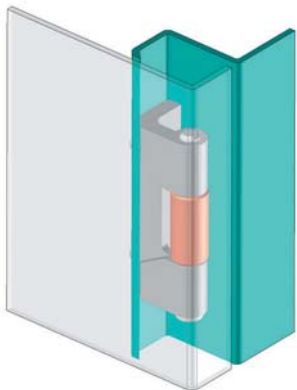
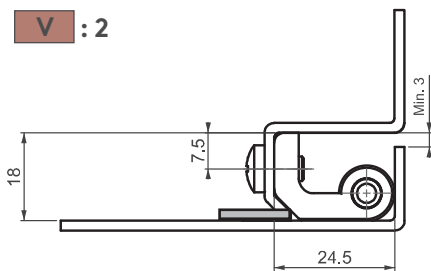
### PRODUCT CODE

**094** - **M** - **F**  
 GROUP CODE MATERIAL FINISH

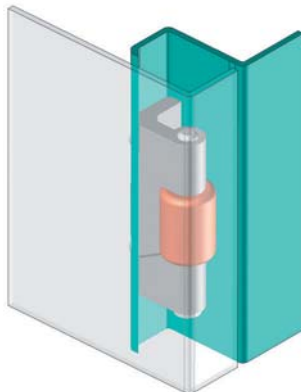
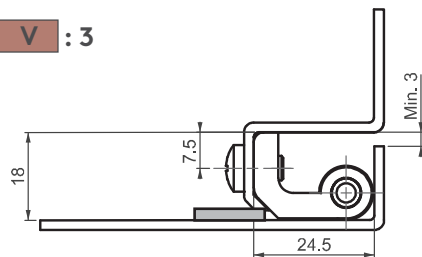
MATERIAL	M	FINISH	F
Zinc Alloy	1	Zinc Plated	3
Aluminium	5	Matte anodized	7



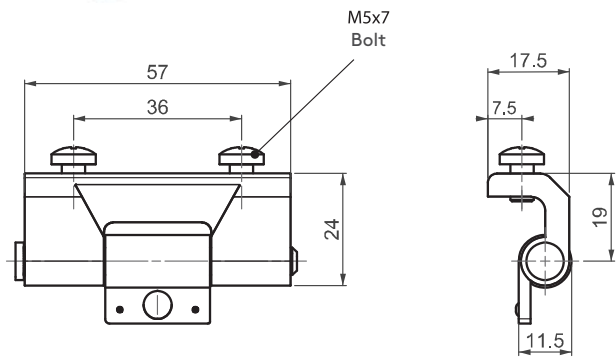
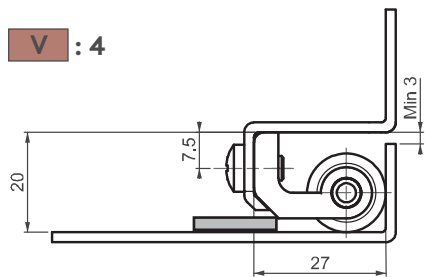
V : 2



V : 3



V : 4



194

CONCEALED HINGE



- For doors with a bend of between 18 mm and 27 mm
- Centre part copper plated for easy welding
- The centre part available in different versions

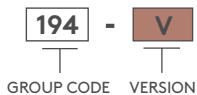
**MATERIAL**

BODY: Zinc Alloy DIN-EN 1774-ZnAl4Cu1  
FIXED PART: Steel

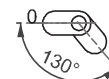
**FINISH**

BODY: Zinc plated  
WELDING PART: Copper plated

**PRODUCT CODE**



Hinge Rotation Angle

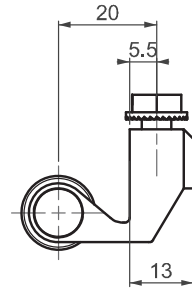
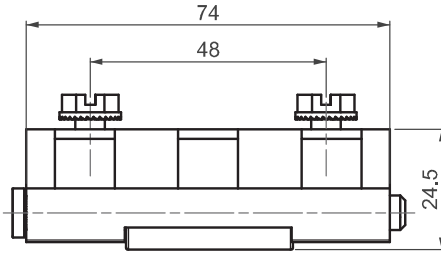


**Note:** Bolts are supplied

# CONCEALED HINGES

## CONCEALED HINGE

096



- For doors with a 24.5 mm bend
- Suitable for both panel and door-profile fixing

**MATERIAL**

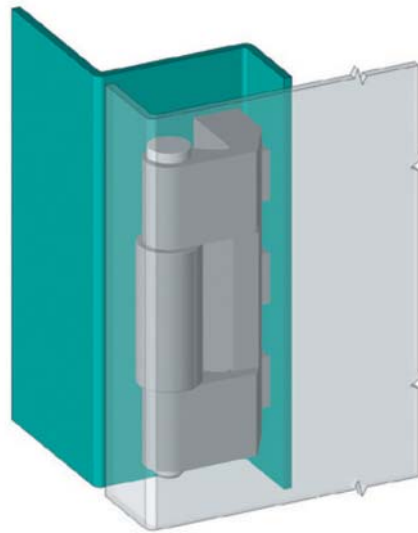
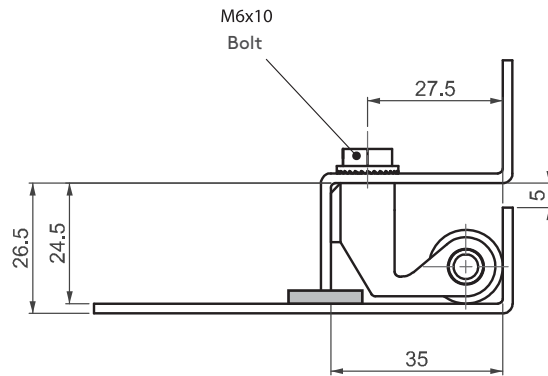
BODY: Zinc Alloy DIN-EN 1774-ZnAl4Cu1

FIXED PART: Steel

**FINISH**

BODY: Zinc plated

WELDING PART: Copper plated



Hinge Rotation Angle

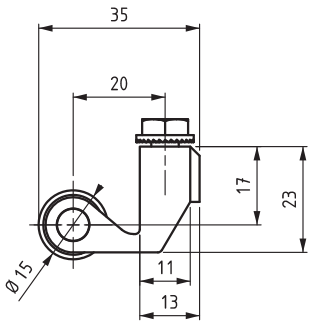
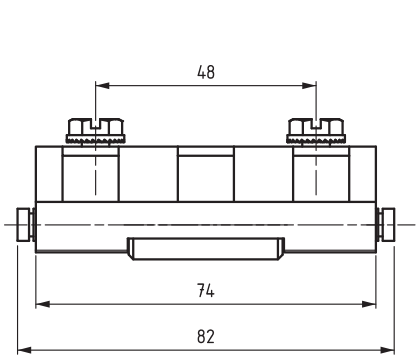


**Note:** Bolts are supplied

**PRODUCT CODE**

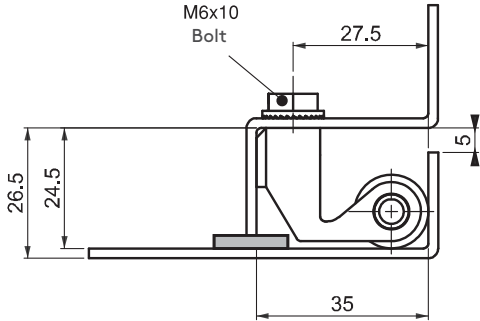
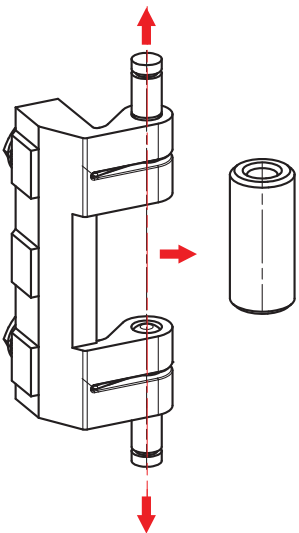
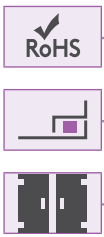
096 - 1 - 3

GROUP CODE MATERIAL FINISH



096

CONCEALED HINGE



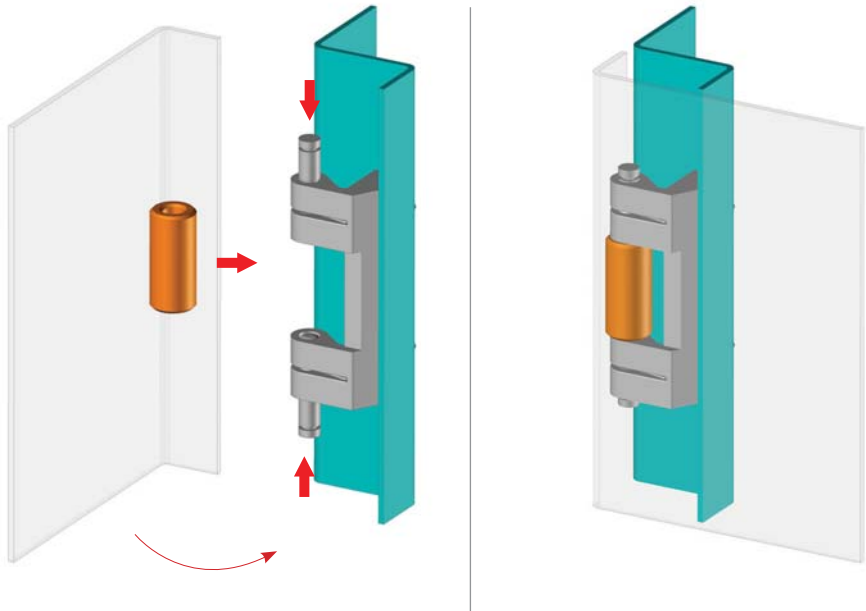
- Door can be taken out of frame without removing the pins
- Easy assembly
- Suitable for 24.5 mm door bend

MATERIAL

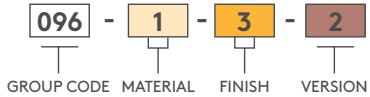
BODY: Zinc Alloy DIN-EN 1774-ZnAl4Cu1  
 FIXED PART: Steel  
 PIN: Stainless Steel

FINISH

BODY: Zinc plated  
 FIXED PART: Copper plated



PRODUCT CODE



Hinge Rotation Angle



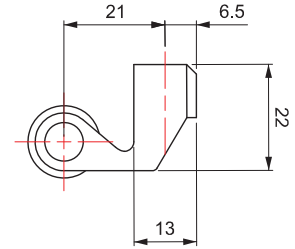
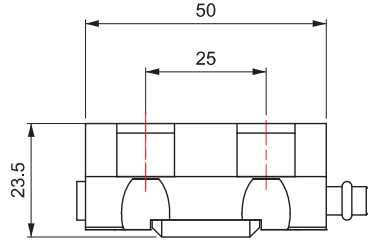
**Note:** Bolts are supplied



# CONCEALED HINGES

## CONCEALED HINGE

296



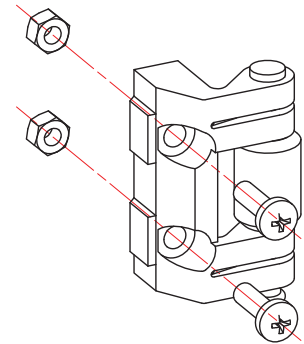
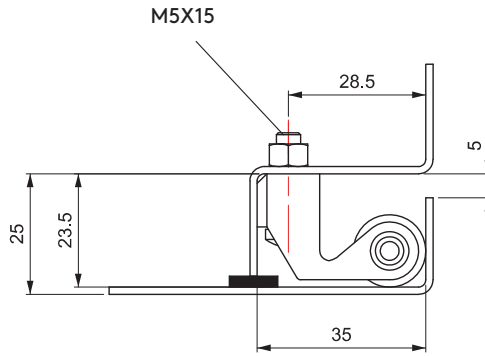
- For doors with a 23.5 mm bend.
- Smaller, more competitive alternative to 096 hinge

**MATERIAL**

BODY: Zinc Alloy DIN-EN 1774-ZnAl4Cu1  
 FIXED PART: Steel

**FINISH**

BODY: Zinc plated  
 WELDING PART: Copper plated

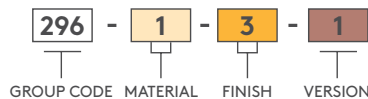


Hinge Rotation Angle



**⚠ Note:** Bolts are not supplied

**PRODUCT CODE**

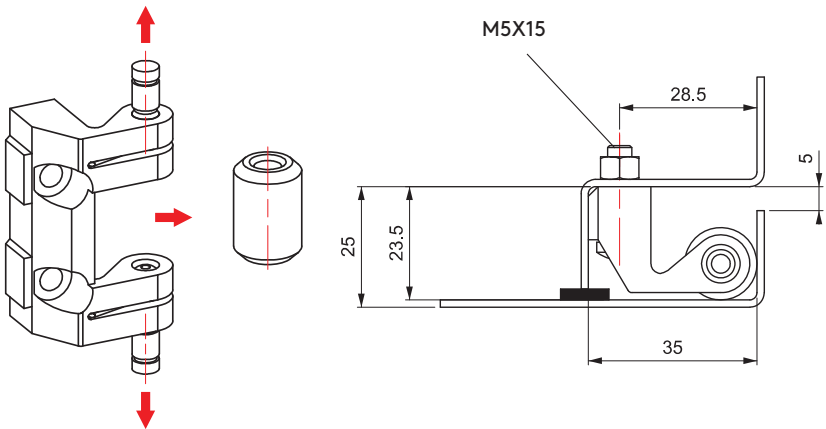
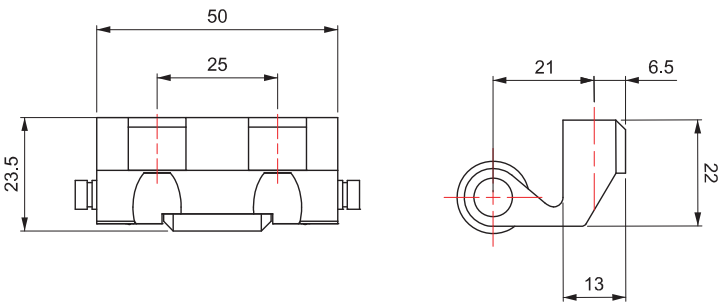




296

CONCEALED HINGE

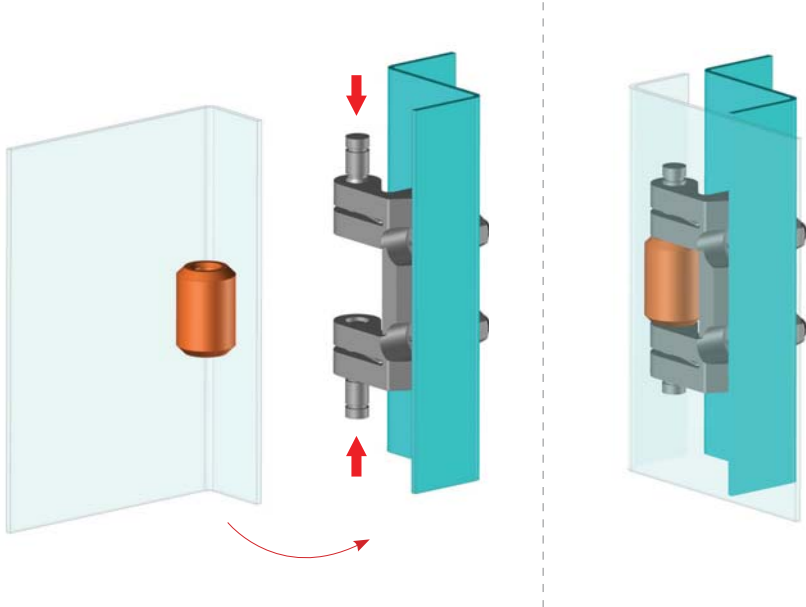
- RoHS
- 
- 



- Door part can be removed out from frame part without removing the pins
- Provides easy assembly
- Suitable for 23.5mm door bend

**MATERIAL**  
 BODY: Zinc Alloy DIN-EN 1774-ZnAl4Cu1  
 FIXED PART: Steel

**FINISH**  
 BODY: Zinc plated  
 FIXED PART: Copper plated



Hinge Rotation Angle



**PRODUCT CODE**  
 296 - 1 - 3 - 2  
 GROUP CODE MATERIAL FINISH VERSION

**Note:** Bolts are not supplied

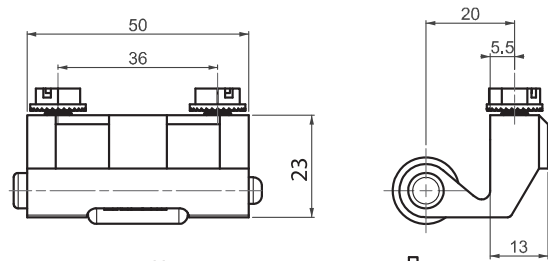
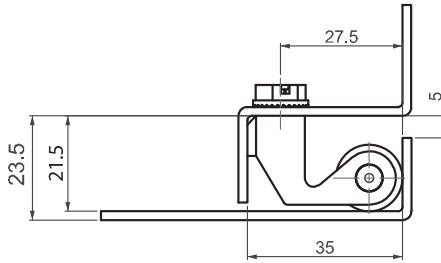
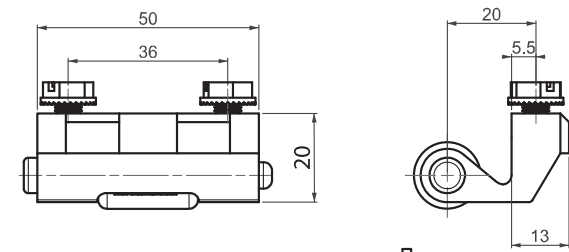
# CONCEALED HINGES

## CONCEALED HINGE

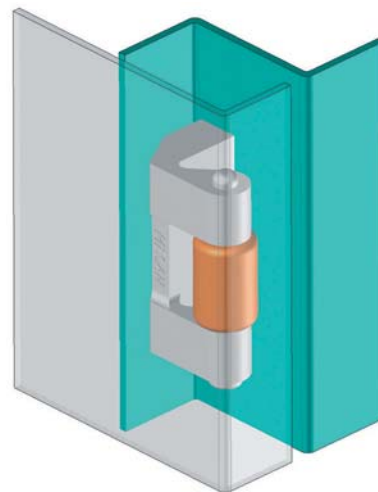
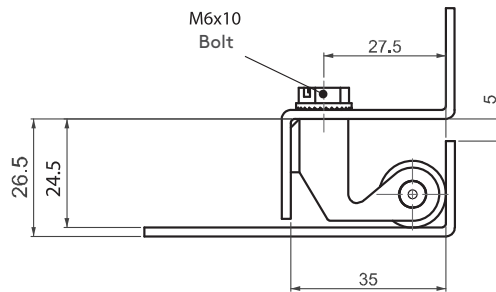
196



V : 20



V : 23



- For 21.5 mm to 24.5 mm bended doors
- Two sizes available
- Smaller alternative to 096 hinge

### MATERIAL

BODY: Zinc Alloy DIN-EN 1774-ZnAl4Cu1

FIXED PART: Steel

### FINISH

BODY: Zinc plated

WELDING PART: Copper plated

Hinge Rotation Angle



**⚠ Note:** Bolts are supplied

### PRODUCT CODE

196 - V

GROUP CODE VERSION



1495

CONCEALED HINGE



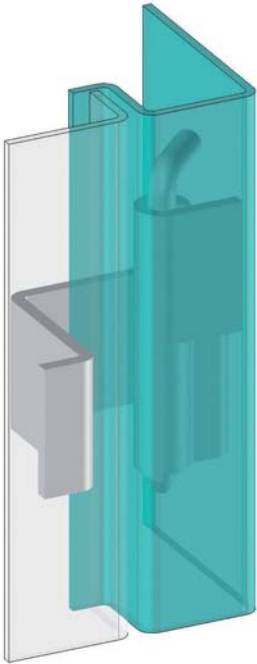
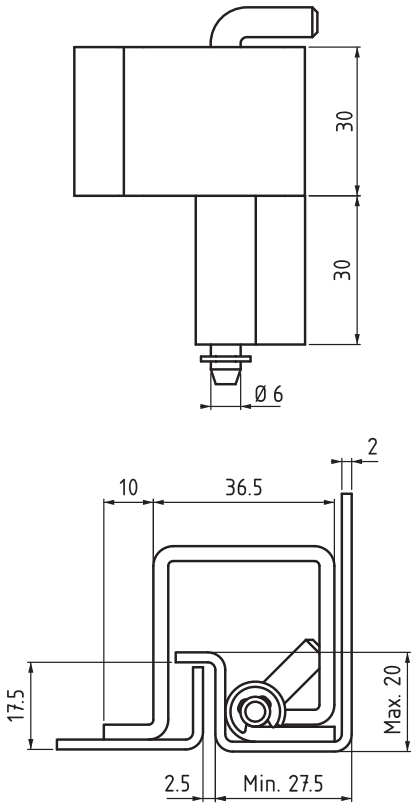
- Frame part and door parts are welded on
- Used for special geometry profiles of the cabinets

**MATERIAL**

BODY: Steel  
PIN: Steel

**FINISH**

No finish



**PRODUCT CODE**

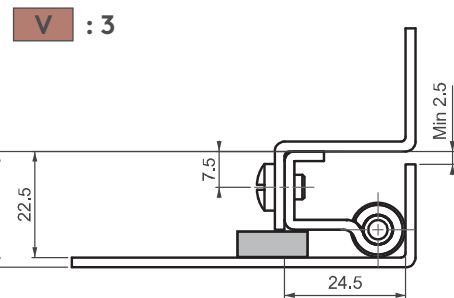
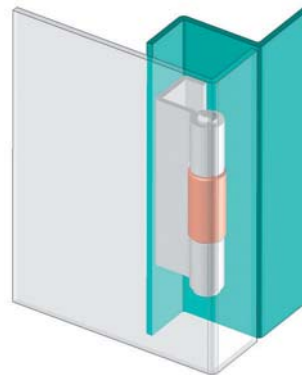
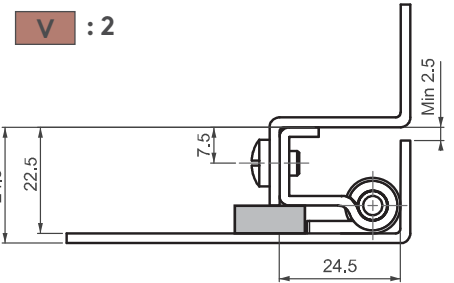
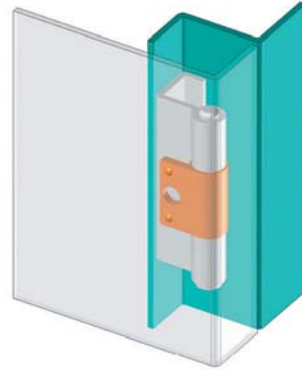
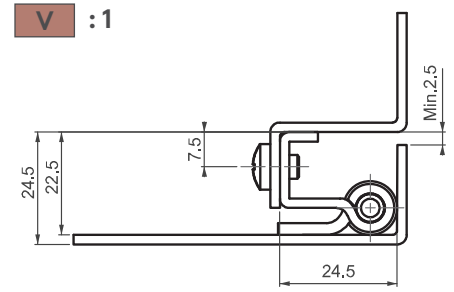
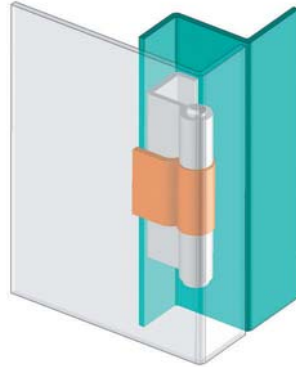
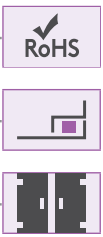
1495 - 6 - 0

GROUP CODE MATERIAL FINISH

# CONCEALED HINGES

## CONCEALED HINGE

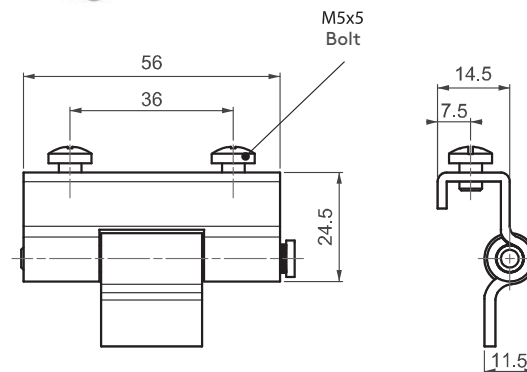
095



- **Stainless steel version: page 494**
- For doors with a bend of 22.5 mm or more. Available drilled with two holes or with two-mounting studs.
- Centre part available in different versions

**MATERIAL**  
Steel

**FINISH**  
BODY: Zinc plated  
WELDING PART: Copper plated



Hinge Rotation Angle



**Note:** Bolts are supplied

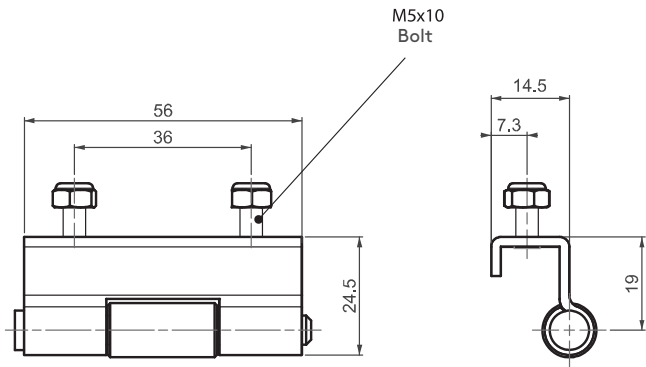
**PRODUCT CODE**





095

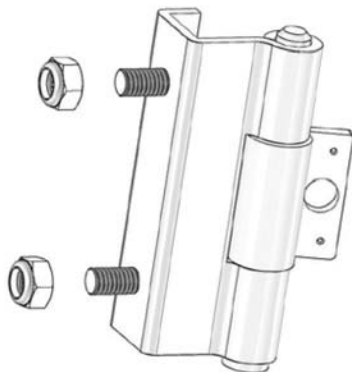
CONCEALED HINGE



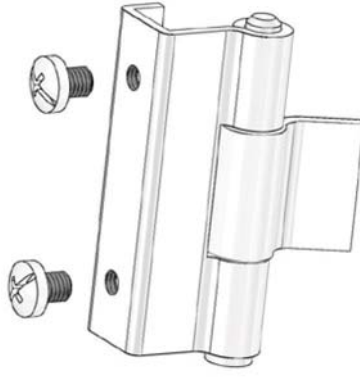
- For doors with a bend of 22.5 mm or more
- Available drilled with two holes or with two-mounting studs
- Centre part available in different versions

**MATERIAL**  
Steel

**FINISH**  
BODY: Zinc plated  
WELDING PART: Copper plated



Stud



Hole

Hinge Rotation Angle



**PRODUCT CODE**

095	-	6	-	3	-	V	-	1
GROUP CODE		MATERIAL		FINISH		VERSION		STUD

**Note:** Bolts are supplied

# CONCEALED HINGES

## CONCEALED HINGE

195



- For doors with a bend of between 23.5 mm and 25.5 mm
- Easily fixed to panel or door profile

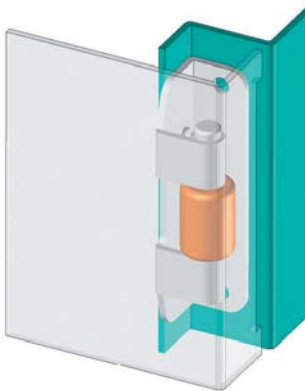
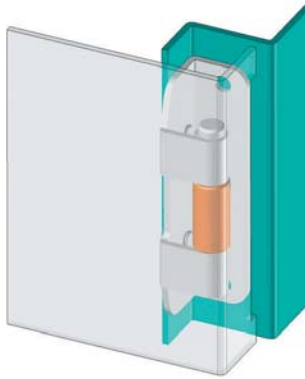
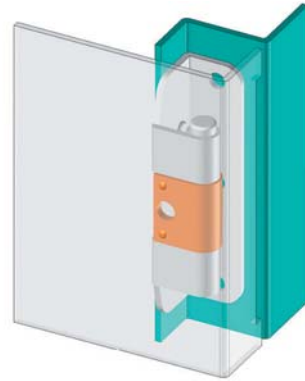
### MATERIAL

Steel

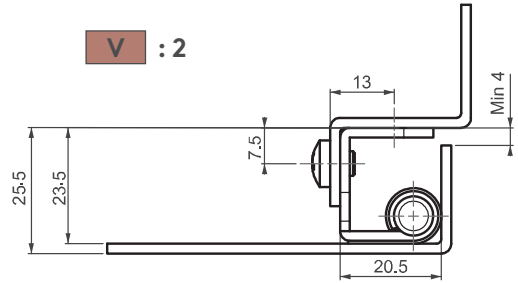
### FINISH

BODY: Zinc plated  
WELDING PART: Copper plated

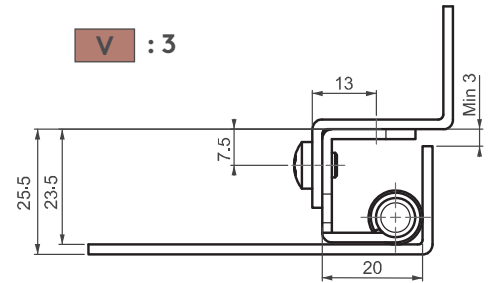
Fixed: 1



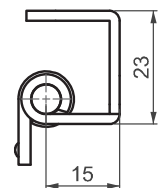
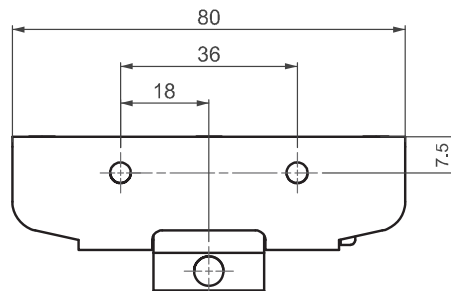
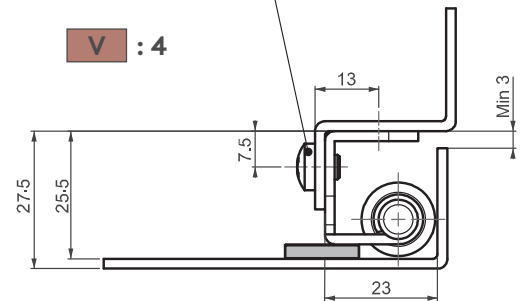
V : 2



V : 3



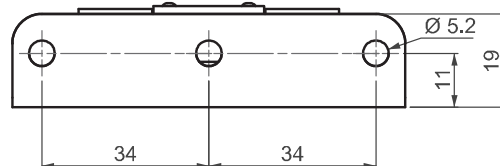
V : 4



Hinge Rotation Angle



**Note:** Bolts are supplied

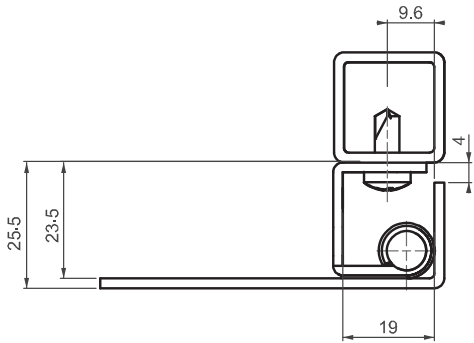
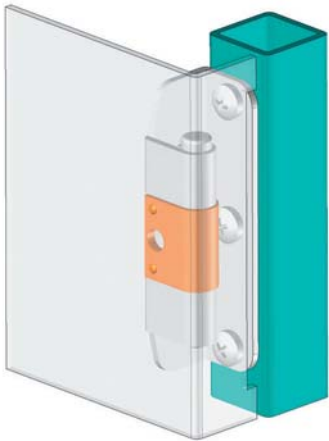




195

CONCEALED HINGE

Fixed: 2  
For profile body



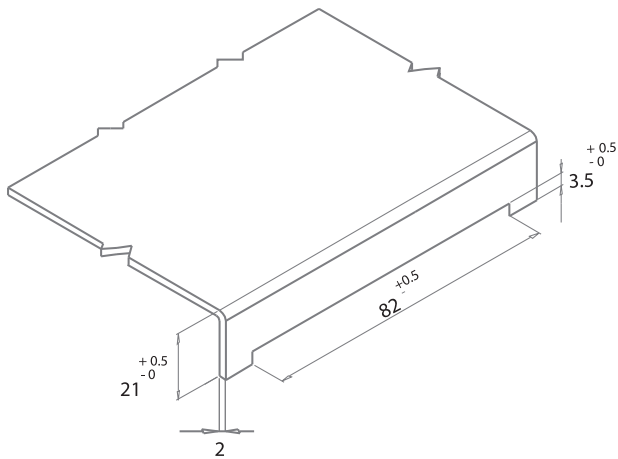
- For doors with a bend of between 23.5 mm and 25.5 mm
- Easily fixed to panel or door profile

MATERIAL

Steel

FINISH

BODY: Zinc plated  
WELDING PART: Copper plated



PRODUCT CODE

195 - V

GROUP CODE VERSION

Hinge Rotation Angle



**Note:** Bolts are supplied



# CONCEALED HINGES

## CONCEALED HINGE

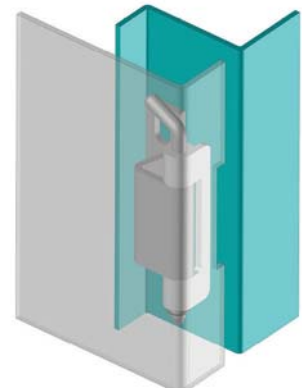
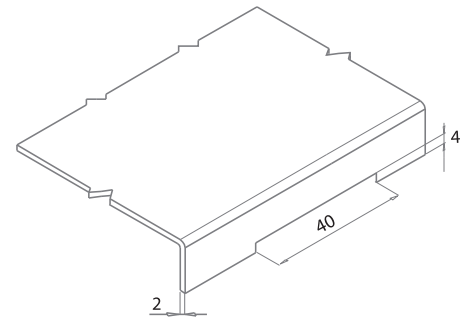
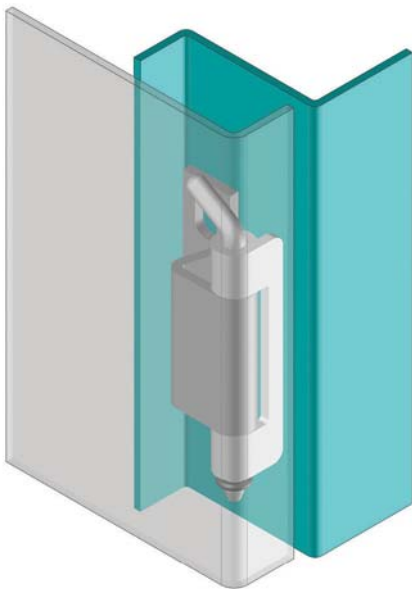
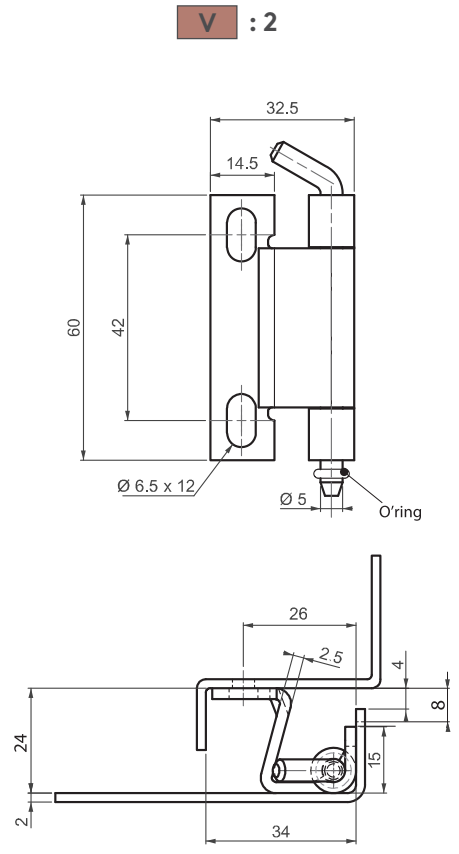
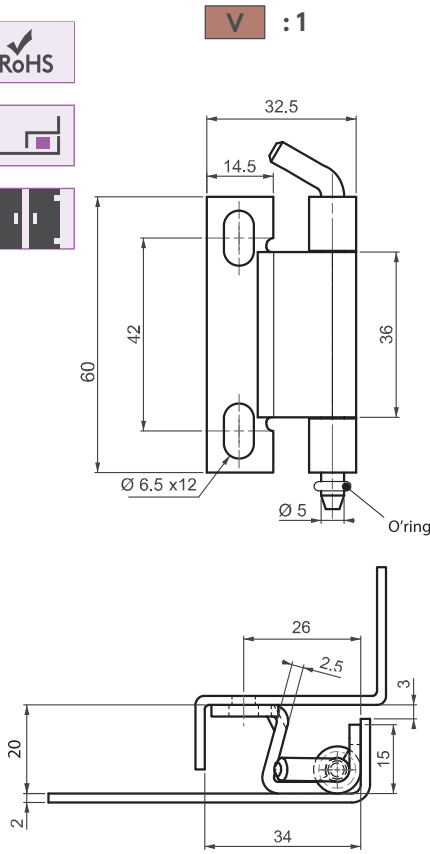
295



- **Stainless steel version: page 486**
- For doors with a bend of between 20 mm and 24 mm
- Frame part screwed on, door part welded on
- Suitable for left- and right-hand applications

**MATERIAL**  
Steel

**FINISH**  
BODY: Zinc plated  
WELDING PART: Copper plated

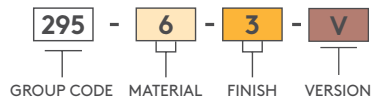


Hinge Rotation Angle



**⚠ Note:** Bolts are not supplied

**PRODUCT CODE**

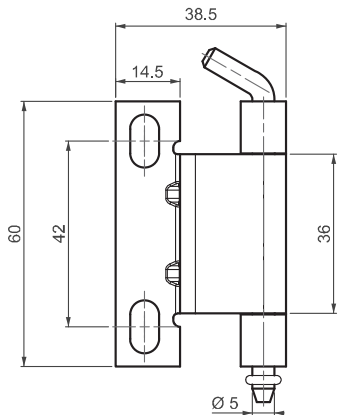




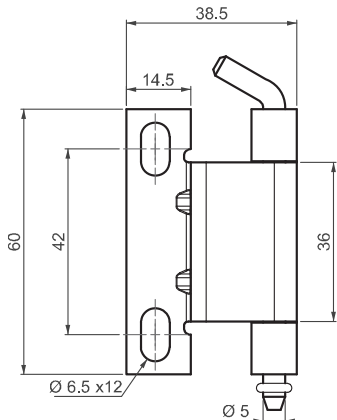
295

CONCEALED HINGE

V : 3



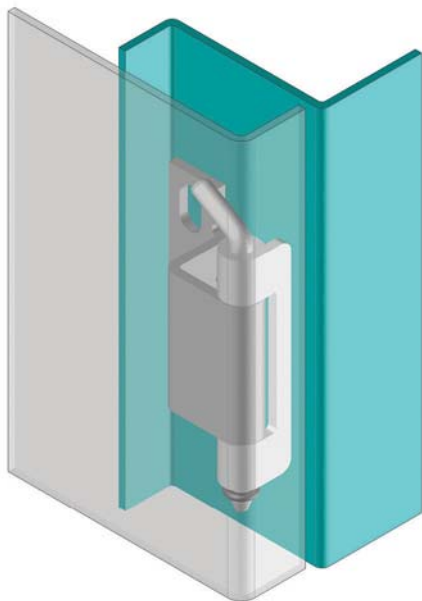
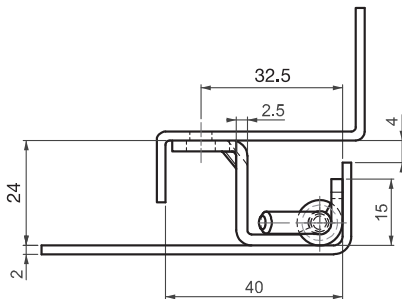
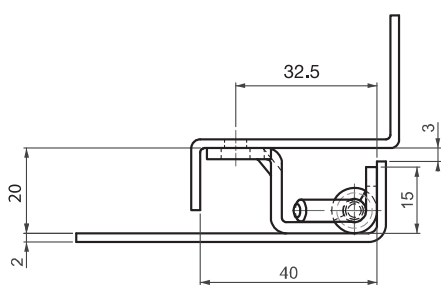
V : 4



• Stainless steel version: page 487

**MATERIAL**  
Steel

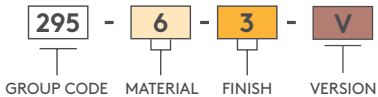
**FINISH**  
BODY: Zinc plated  
WELDING PART: Copper plated



Hinge Rotation Angle



PRODUCT CODE



**▲ Note:** Bolts are not supplied

# CONCEALED HINGES

## CONCEALED HINGE

**395**



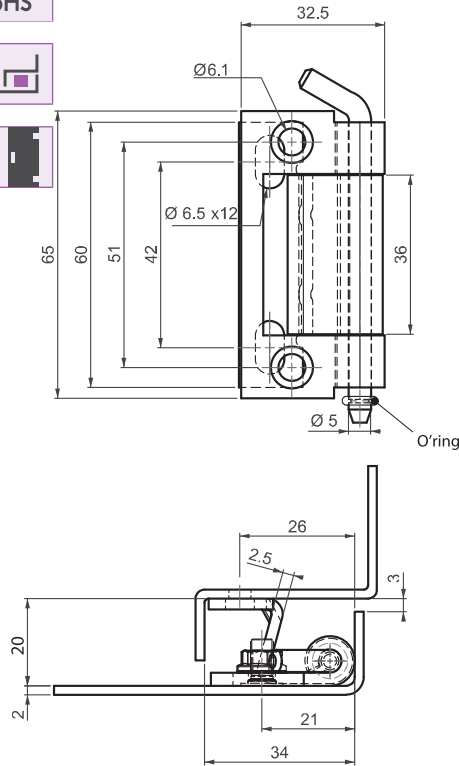
- **Stainless steel version: page 488**
- For doors with a bend of between 20 mm and 24 mm
- Frame part screwed on, door part welded on
- Suitable for left- and right-hand application

**MATERIAL**  
Steel

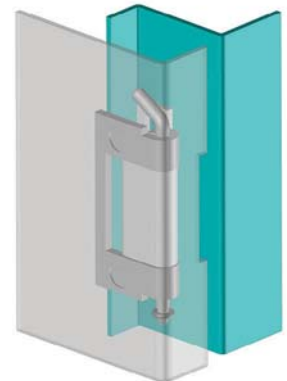
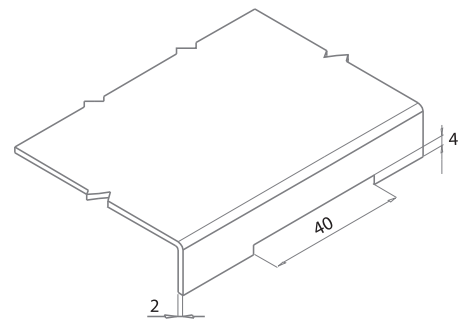
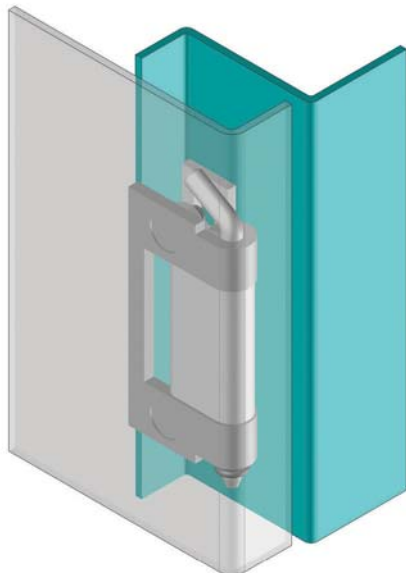
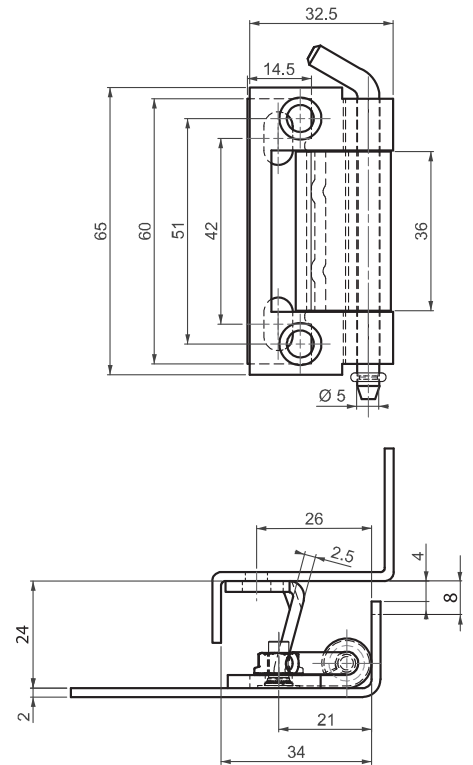
**FINISH**  
Zinc plated



**V :1**



**V :2**

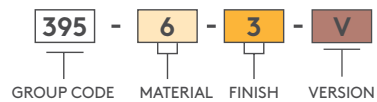


Hinge Rotation Angle



**Note:** Bolts are not supplied

**PRODUCT CODE**



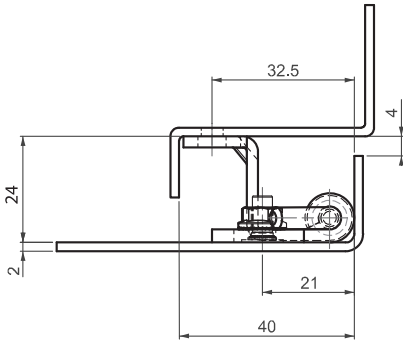
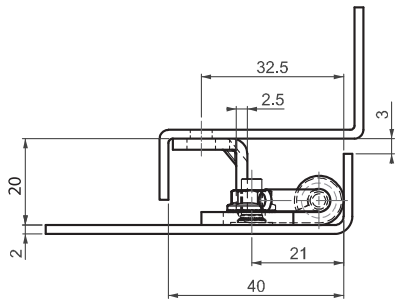
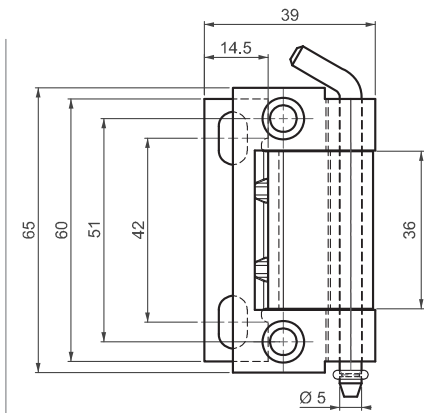
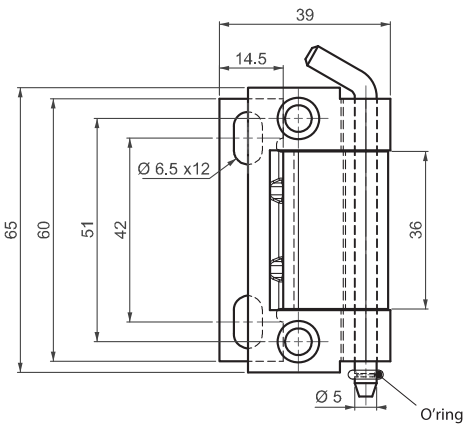


395

CONCEALED HINGE

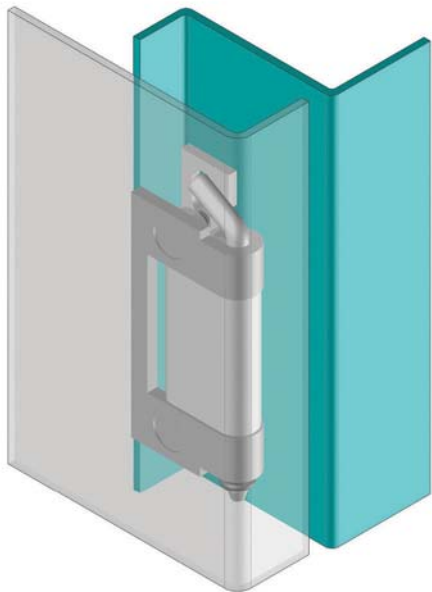
V : 3

V : 4



• Stainless steel version: page 489

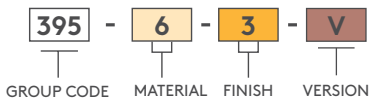
**MATERIAL**  
Steel  
**FINISH**  
Zinc plated



Hinge Rotation Angle



PRODUCT CODE



**⚠ Note:** Bolts are not supplied

# CONCEALED HINGES

## CONCEALED HINGE

695



- **Stainless steel version: page 490**
- For doors with a bend of 18 mm
- Frame part screwed on, door part either welded or screwed on
- Suitable for left- and right-hand applications

**MATERIAL**  
Steel

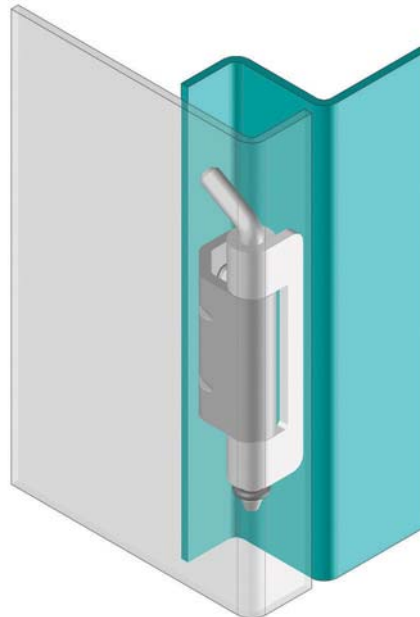
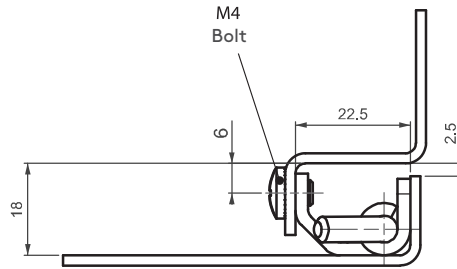
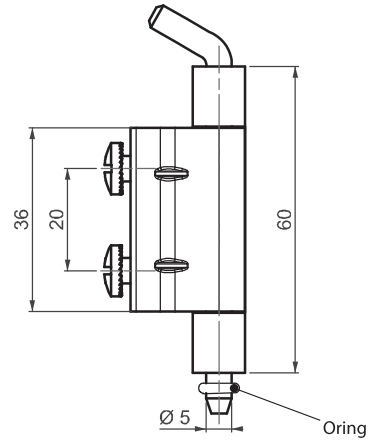
**FINISH**  
BODY: Zinc plated  
WELDING PART: Copper plated

Hinge Rotation Angle



**⚠ Note:** Bolts are not supplied

V :1



### PRODUCT CODE

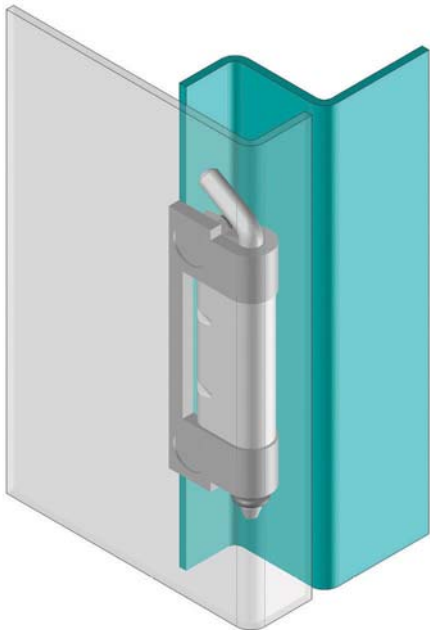
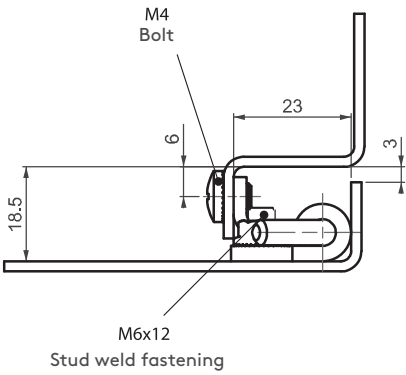
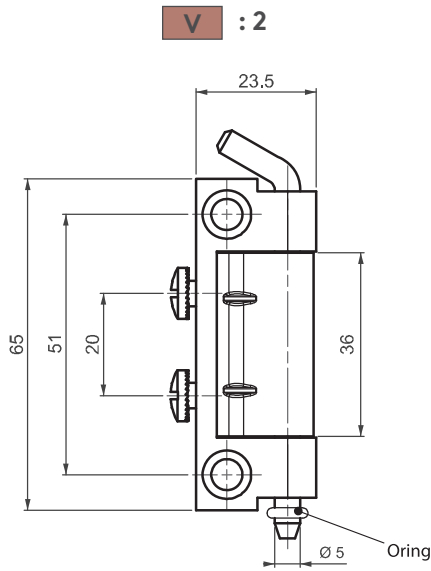
695 - 6 - 3 - 1

GROUP CODE MATERIAL FINISH VERSION



695

CONCEALED HINGE



- Stainless steel version: page 491
- For doors with a bend of 18.5 mm
- Frame part screwed on, door part mounted by nut to welded stud on door
- Suitable for left- and right-hand application

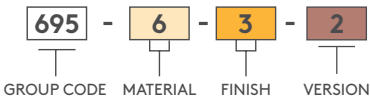
**MATERIAL**  
Steel

**FINISH**  
Zinc plated

Hinge Rotation Angle



PRODUCT CODE



**Note:** Bolts are not supplied

# CONCEALED HINGES

## CONCEALED HINGE

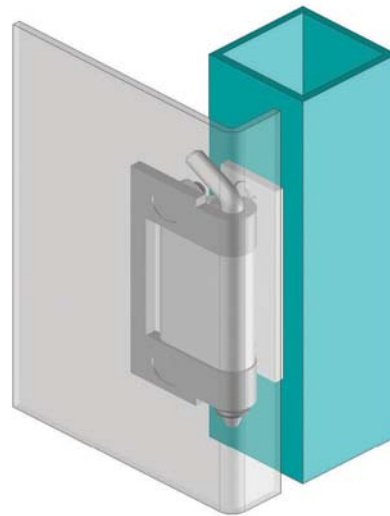
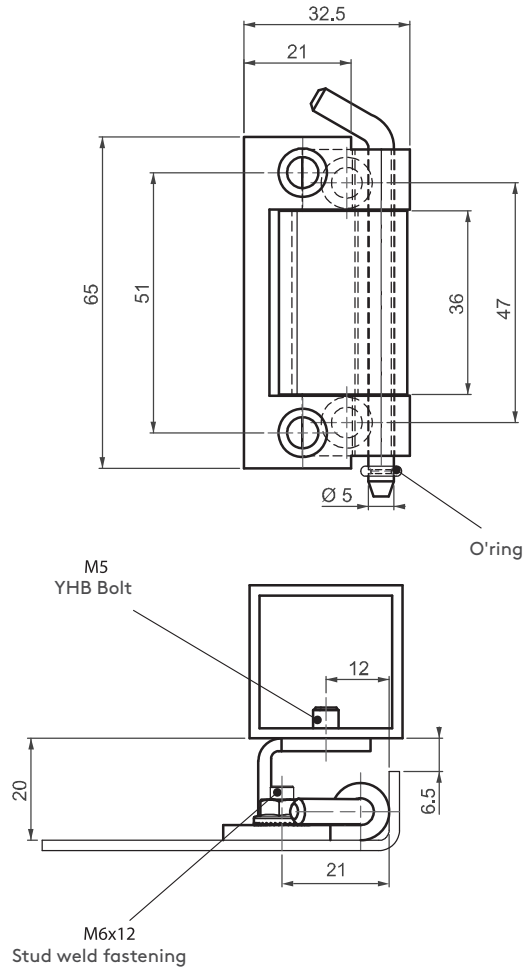
795



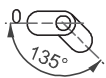
- **Stainless steel version: page 492**
- For doors with a bend of 20 mm to fix profiles
- Frame part screwed on, door part mounted by nut to welded stud on door
- Suitable for left- and right-hand application

**MATERIAL**  
Steel

**FINISH**  
Zinc plated

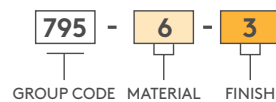


Hinge Rotation Angle



**⚠ Note:** Bolts are not supplied

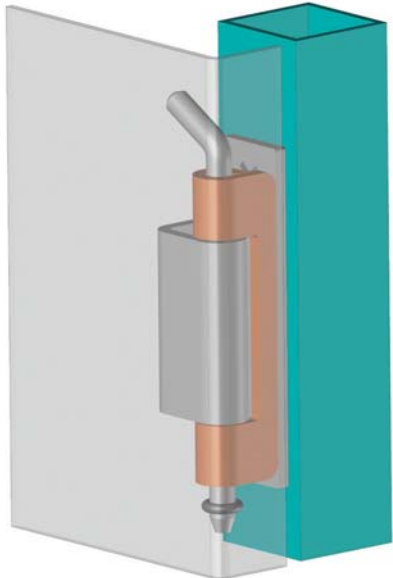
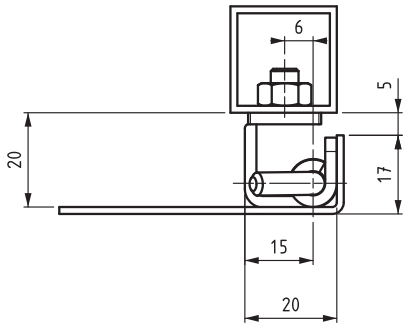
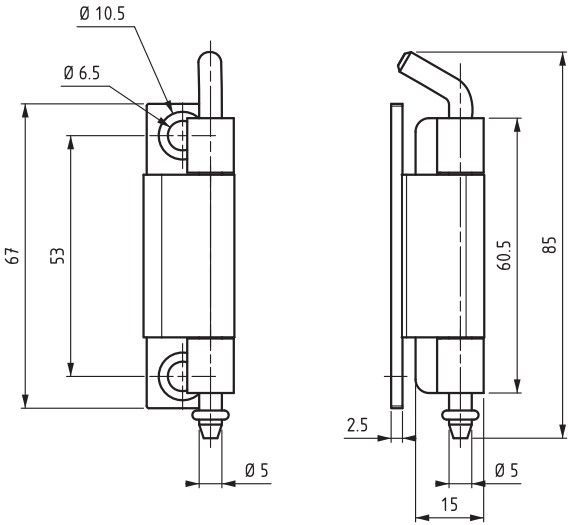
**PRODUCT CODE**





1795

CONCEALED HINGE



- For doors with a bend of between 20 mm
- Easily fixed to panel or door profile due to hinge design
- Suitable for left - and right- hand applications

**MATERIAL**  
 BODY: Steel  
 FIXED PART: Steel  
 PIN: Steel

**FINISH**  
 BODY: Zinc plated  
 FIXED PART: Copper plated

Hinge Rotation Angle



**⚠ Note:** Bolts are not supplied

PRODUCT CODE

1795 - 6 - 3

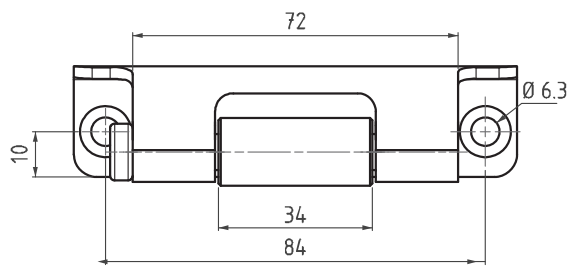
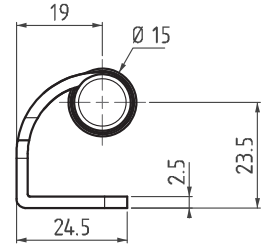
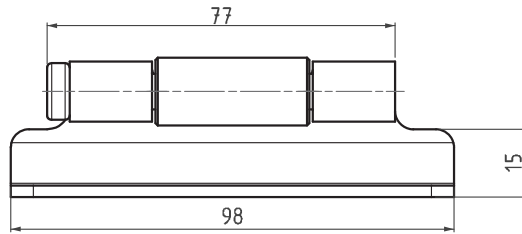
GROUP CODE MATERIAL FINISH



# CONCEALED HINGES

## CONCEALED HINGE

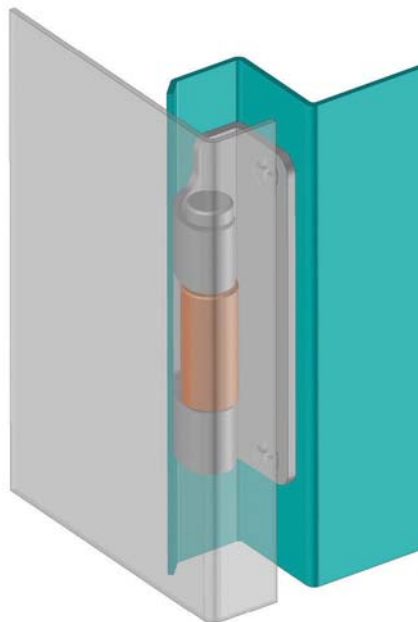
895



- Side part can be mounted with M5 screws
- Centre part copper plated for easy welding
- Suitable for heavy-duty applications
- Pin should be mounted during hinge assembly

**MATERIAL**  
Steel

**FINISH**  
BODY: Zinc plated  
WELDING PART: Copper plated



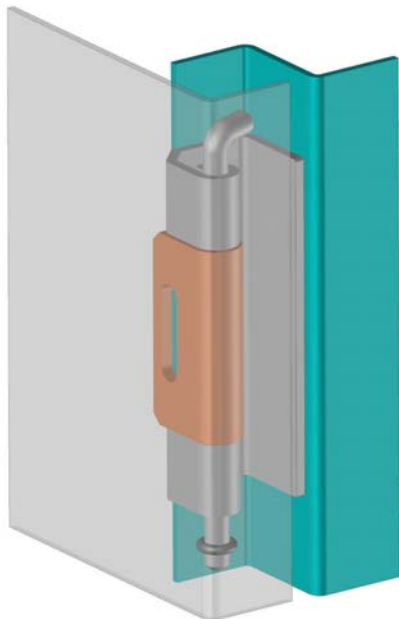
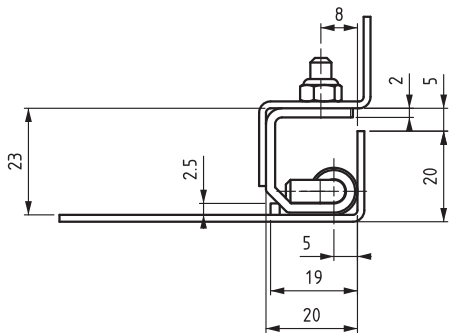
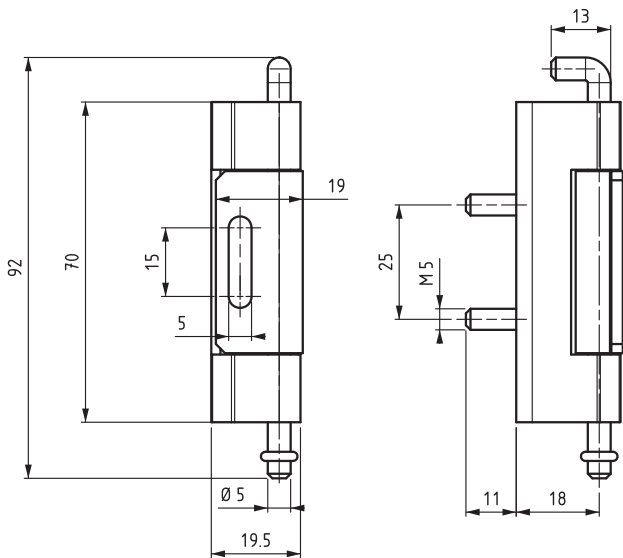
Hinge Rotation Angle



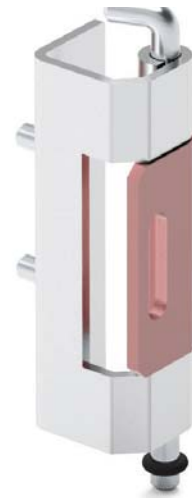
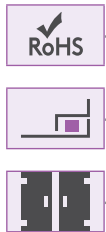
**⚠ Note:** Bolts are not supplied

**PRODUCT CODE**

895 - 6 - 3  
GROUP CODE MATERIAL FINISH



**1095** CONCEALED HINGE



- For doors with a bend of 23 mm
- Easily fixed to panel or door profile
- Suitable for left- and right-hand application

**MATERIAL**  
 BODY: Steel  
 FIXED PART: Steel  
 PIN: Steel

**FINISH**  
 BODY: Zinc plated  
 FIXED PART: Copper plated

Hinge Rotation Angle



PRODUCT CODE

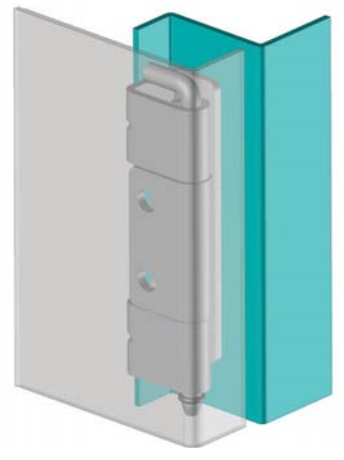
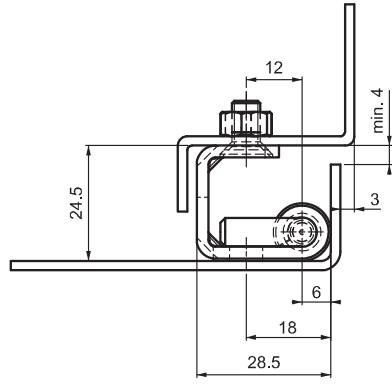
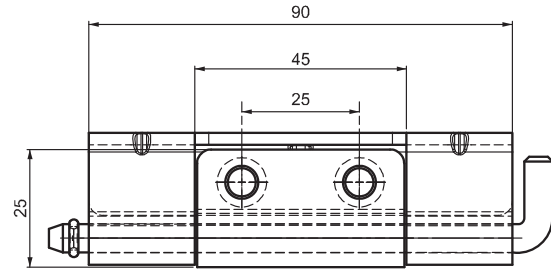
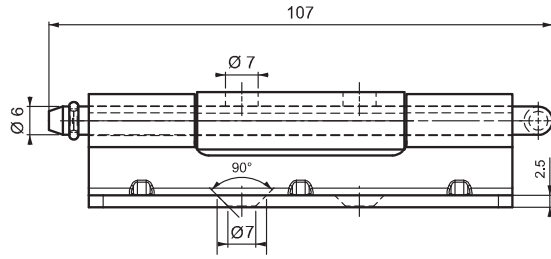
**1095** - **6** - **3**

GROUP CODE MATERIAL FINISH

# CONCEALED HINGES

## CONCEALED HINGE

995



- **Stainless Steel version:** page: 495
- Side part can be mounted with M5 screws
- Centre part copper plated for easy welding
- Suitable for heavy-duty applications
- Suitable for 25 mm bend door cabinets

**MATERIAL**  
Steel

**FINISH**  
BODY: Zinc plated  
WELDING PART: Copper plated

**Note:** Bolts are not supplied

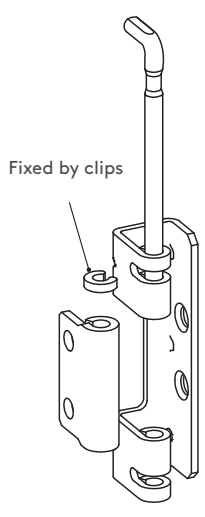
Stud version



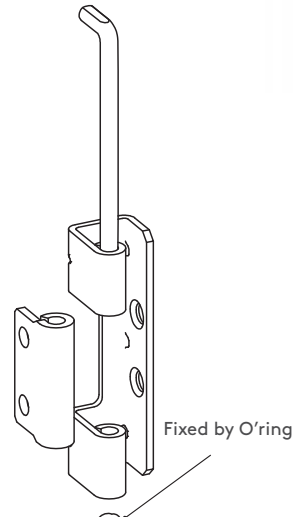
Hinge Rotation Angle



**Note:** Nuts are not supplied

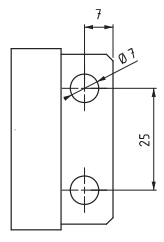


V : 4

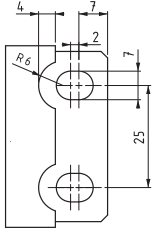


V : 3

Middle Parts

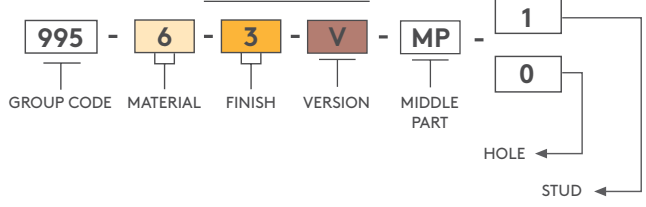


MP :1  
Circle



MP :2  
Slot

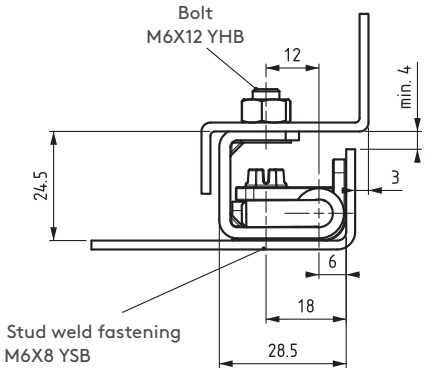
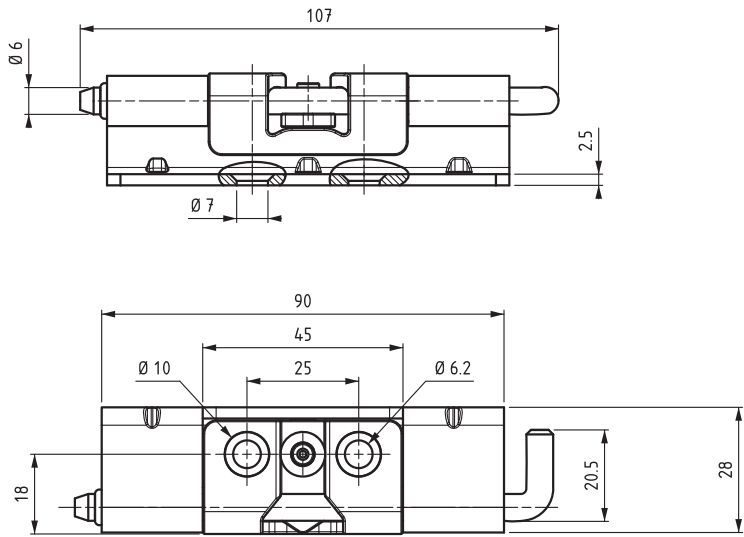
PRODUCT CODE





995

CONCEALED HINGE



- Suitable for heavy-duty applications
- Suitable for Left- and right-hand applications
- Suitable for 25 mm bend door cabinets
- Door part can be removed by a screw

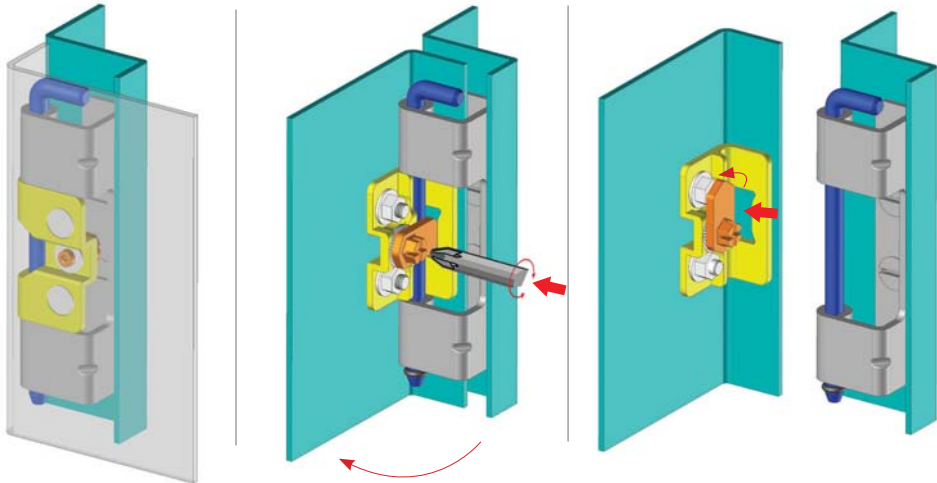
**MATERIAL**  
 BODY: Steel  
 WELDING PART: Zinc Alloy DIN-EN 1774-ZnAl4Cu1

**FINISH:**  
 BODY: Zinc plated  
 WELDING PART: Zinc plated

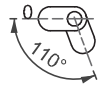
Position 1  
Closed door

Position 2  
After the door is opened, cam is rotated 90° with a screwdriver

Position 3  
The cover is removed



Hinge Rotation Angle



**PRODUCT CODE**

995 - 6 - 3 - 2 - 1

GROUP CODE MATERIAL FINISH VERSION

HOLE

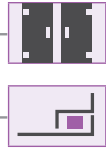
STUD

**Note:** Bolts and nuts are not supplied

# CONCEALED HINGES

## CONCEALED HINGE

1995



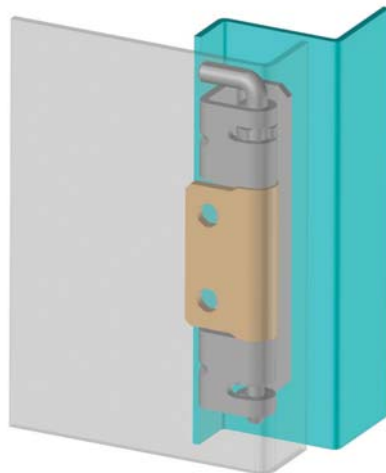
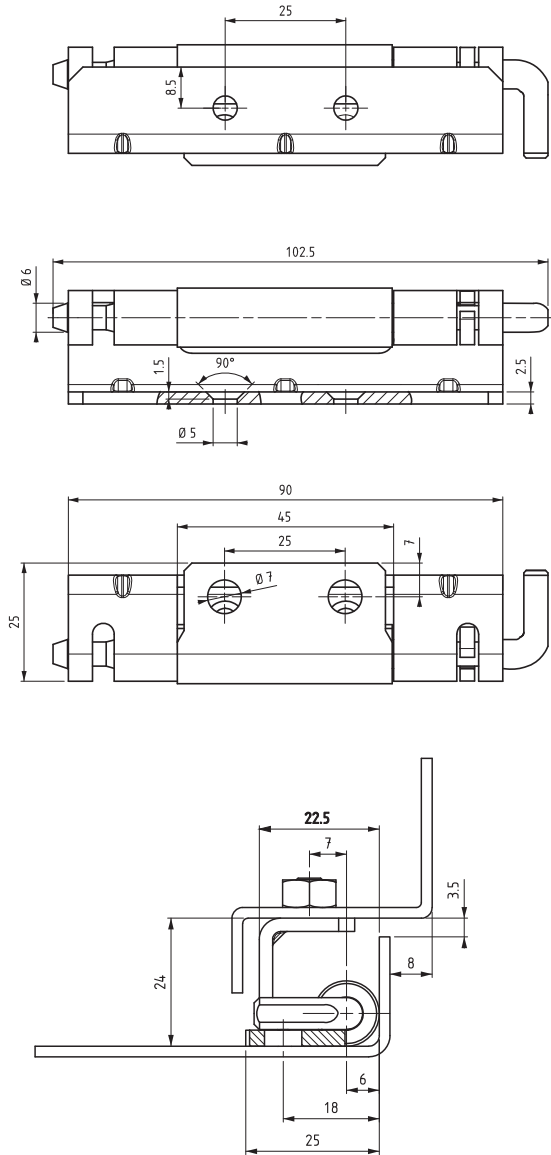
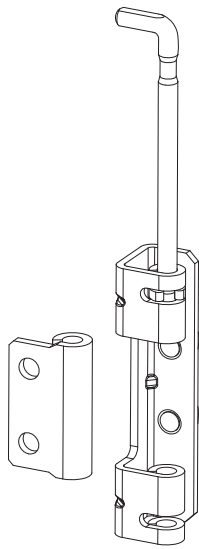
- Stainless steel version: page 496
- Remove the door by just removing the pin
- Suitable for 24 mm door bend cabinets
- Copper plated middle part for easy welding

**MATERIAL**

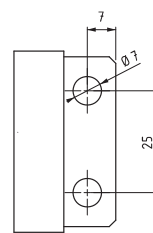
BODY: Zinc Alloy DIN-EN 1774-ZnAl4Cu1  
 FIXED PART: Steel

**FINISH**

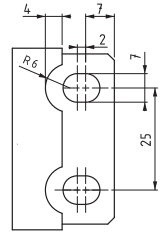
BODY: Zinc plated  
 FIXED PART: Copper plated



**Middle Parts**



MP :1  
Circle



MP :2  
Slot

**Note:** Bolts are not supplied

**PRODUCT CODE**





595

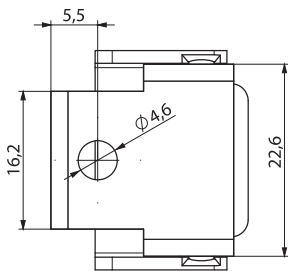
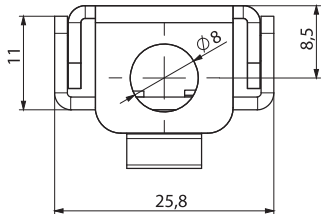
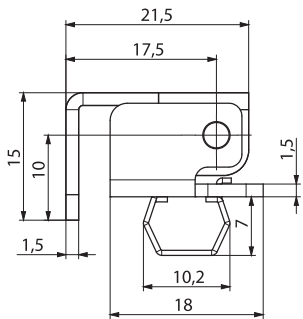
CONCEALED HINGE



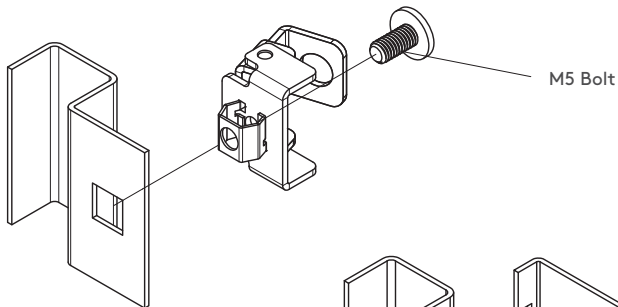
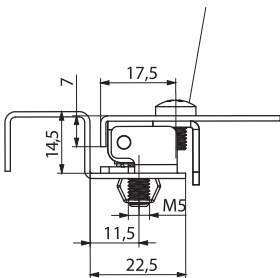
• Can be used for small size panels

**MATERIAL**  
Steel

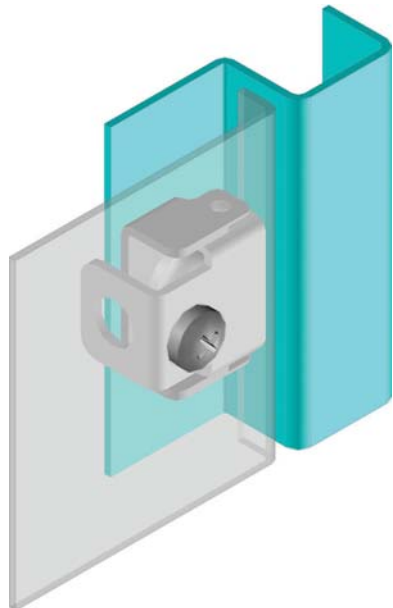
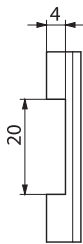
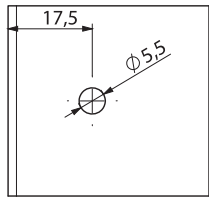
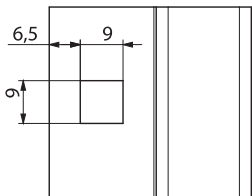
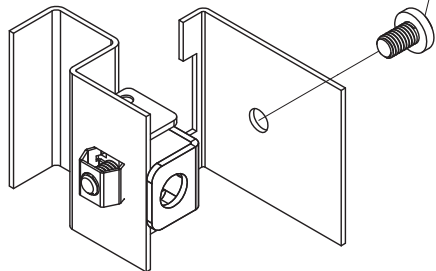
**FINISH**  
Zinc plated



M5 self tapping screw

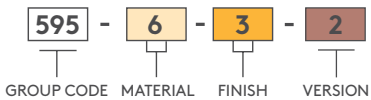


M5 self tapping screw



**Note:** Bolts are supplied

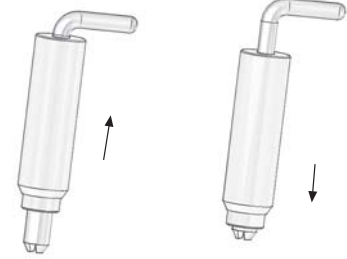
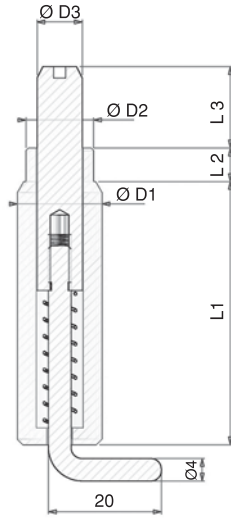
PRODUCT CODE



# CONCEALED HINGES

## SPRING LOADED

189



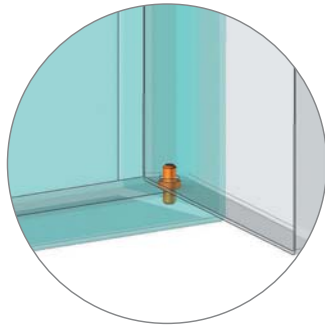
- For internally mounted doors
- Spring loaded hinge for easy door removal
- Body copper plated for easy welding. Available as spring-loaded, up-and-down pair; or spring-loaded up hinge and fixed bottom hinge

### MATERIAL

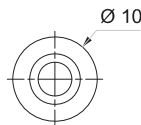
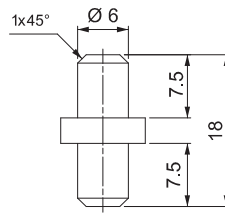
Steel

### FINISH

BODY: Copper plated  
Other materials: Zinc plated



Hinge Rotation Angle



## BOTTOM PIVOT PIN

32003192

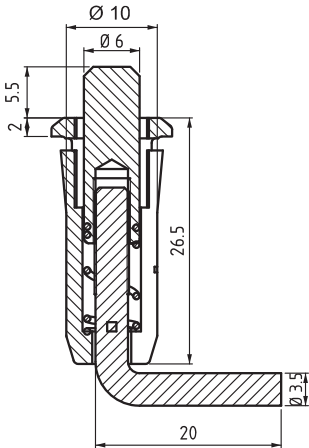


Ø D1	Ø D2	Ø D3	L1 MM	L2 MM	L3 MM	PRODUCT CODE
10	8.5	6	26.5	3.5	9	189-9
10	8.5	6	38	3.5	10	189-10
12	9	6	38	3.5	10	189-12
15	12	9	47	6	14.5	189-15



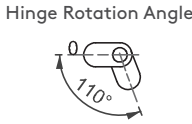
389

SPRING LOADED



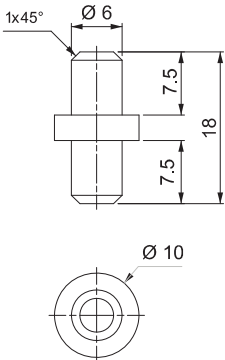
- For internally mounted doors
- Spring-loaded hinge for easy door removal
- Clip fixing for easy assembly
- Available as spring-loaded, up-and-down pair; or spring-loaded up hinge and fixed bottom hinge

**MATERIAL**  
 BODY: Polyamide DIN-EN ISO1043-1 PA6 GFR 30  
 PIN: Steel



32003192

BOTTOM PIVOT PIN





# ▶ CONCEALED HINGES

## CONCEALED HINGE

089



RoHS

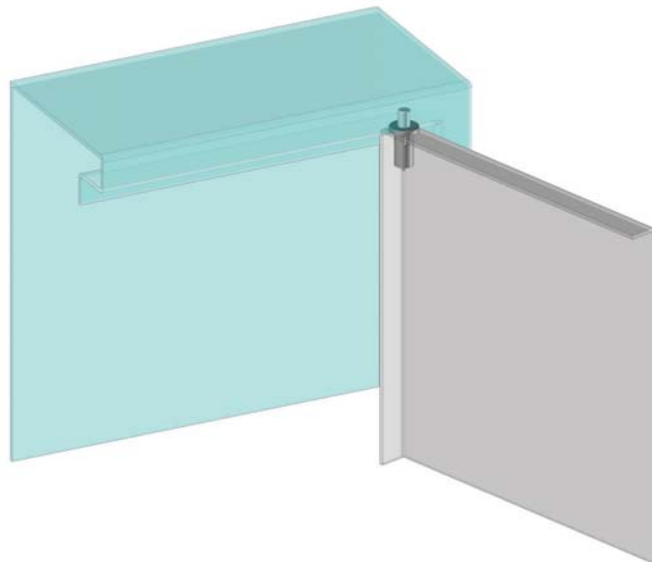
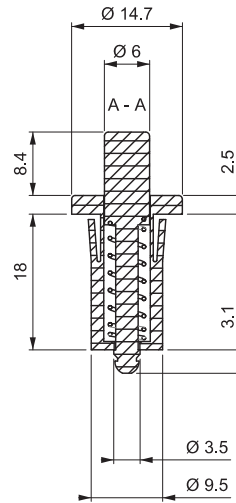


- For internally mounted doors
- Spring-loaded hinge for easy door removal
- Clip fixing for easy assembly
- Available as spring-loaded, up-and-down pair; or spring-loaded up hinge and fixed bottom hinge

### MATERIAL

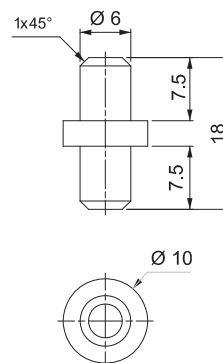
BODY: Polyamide DIN-EN ISO1043-1 PA6 GFR 30  
 PIN: Steel

Hinge Rotation Angle



## BOTTOM PIVOT PIN

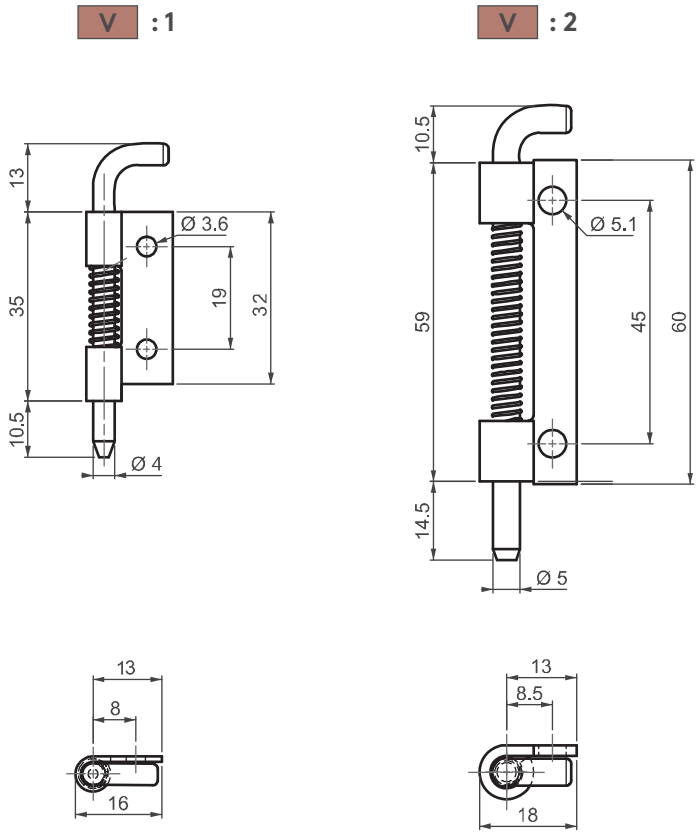
32003192





289

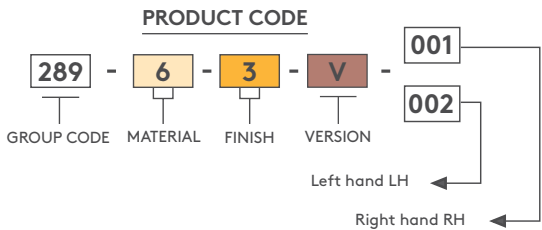
CONCEALED HINGE



- Stainless steel version: page 493
- For internally mounted doors
- Spring loaded hinge for easy door removal
- Both versions are either screwed or welded on
- Suitable for left- and right-hand application

**MATERIAL**  
Steel

**FINISH**  
Zinc plated



Hinge Rotation Angle



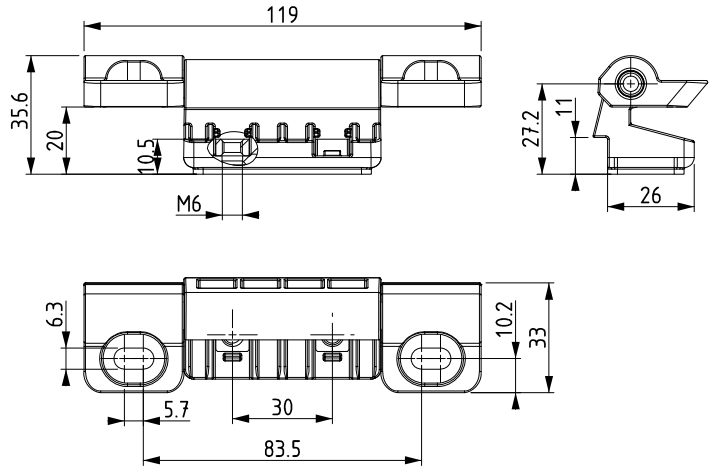
**Note:** Bolts are not supplied

**Note:** Assembled RH (as drawn)  
Assembled LH (mirror inverted)

# CONCEALED HINGES

## CONCEALED HINGE

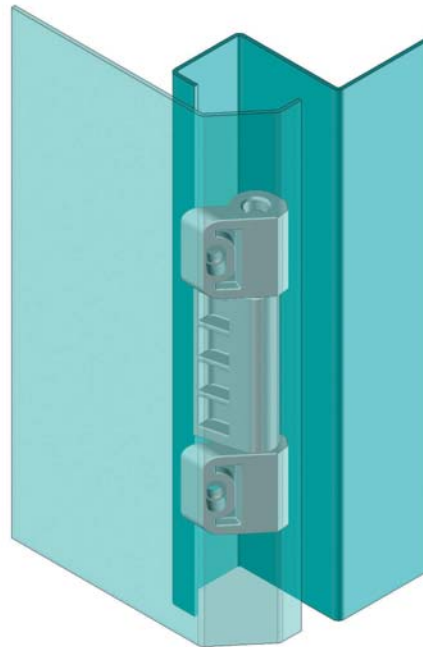
394



- Suitable for lightweight panels and applications
- Left and right hand application is possible
- Suitable for M6 screws
- 90° hinge rotation angle

**MATERIAL**  
 FRAME PART: PA6 GFR30  
 DOOR PART: PA6 GFR30  
 NUT: Steel

Hinge Rotation Angle

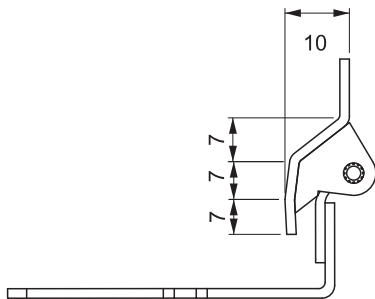
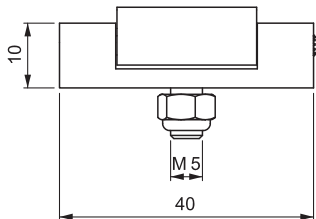
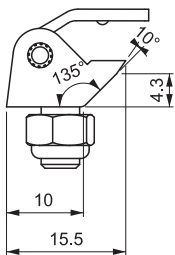


**Note:** Bolts are not supplied



294

CONCEALED HINGE



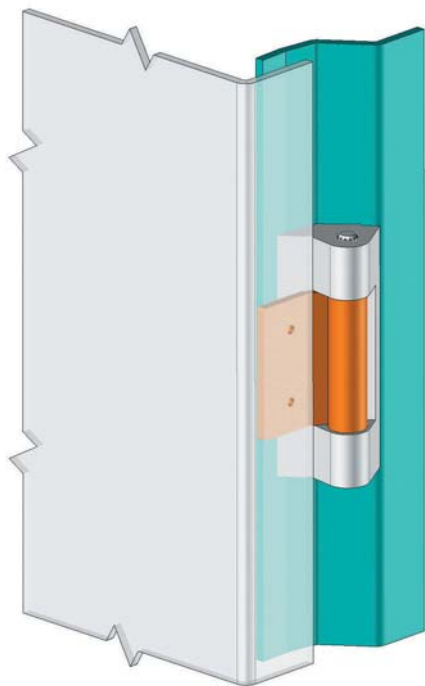
- For small panels having a 10 mm internal bend
- Designed to maximize space
- Copper plated for easy welding

**MATERIAL**

BODY: Zinc Alloy DIN-EN 1774-ZnAl4Cu1  
 FIXED PART: Steel  
 PIN: Steel

**FINISH**

BODY: Zinc plated  
 FIXED PART: Copper plated



Hinge Rotation Angle

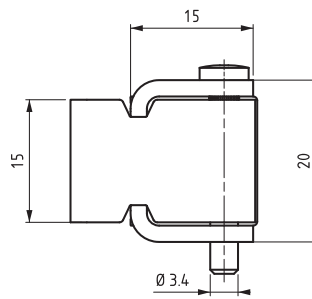
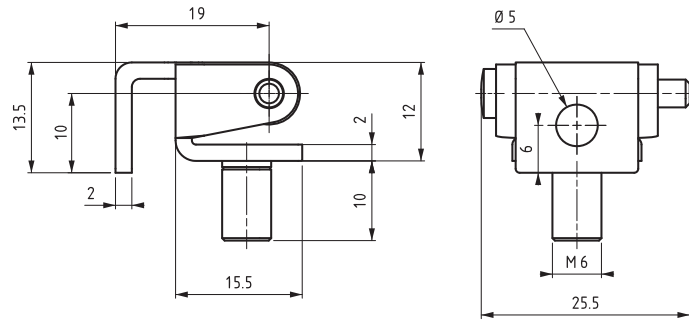


**⚠ Note:** Bolts are not supplied

# ▶ CONCEALED HINGES

CONCEALED HINGE

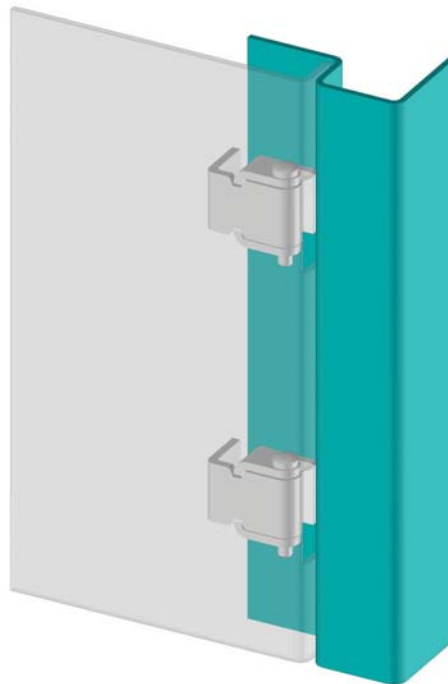
595



- Can be used for small size panels

**MATERIAL**  
Steel

**FINISH**  
Zinc plated



### PRODUCT CODE

595 - 6 - 3  
GROUP CODE MATERIAL FINISH



# HINGES



## CORNER HINGES

GROUP CODE	PRODUCT NAME
497	CORNER HINGE
097	CORNER HINGE
197	CORNER HINGE
297	CORNER HINGE
397	CORNER HINGE
298	CORNER HINGE
098	CORNER HINGE
398	CORNER HINGE
498	CORNER HINGE
400	CORNER HINGE
200	CORNER HINGE
100	CORNER HINGE
600	CORNER HINGE/HVAC HINGE
700	CORNER HINGE/HVAC HINGE



PAGE

337

338

339

340

341

342

343

344 - 345

346

347

348 - 349

350

351 - 353

354 - 355







# CORNER HINGES

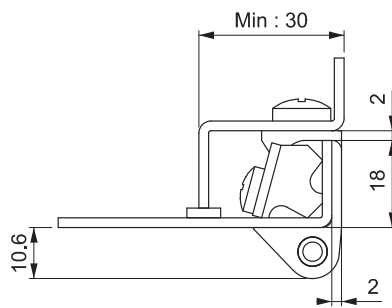
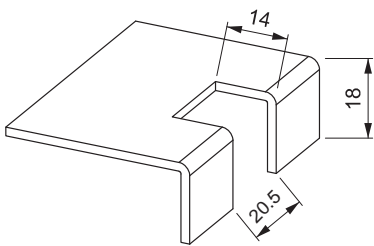
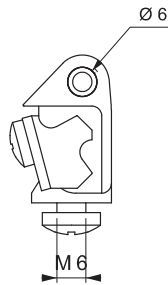
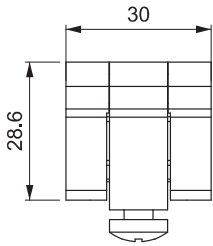




497

CORNER HINGE

- RoHS
- 
- 



- Corner hinge
- Grounding is possible

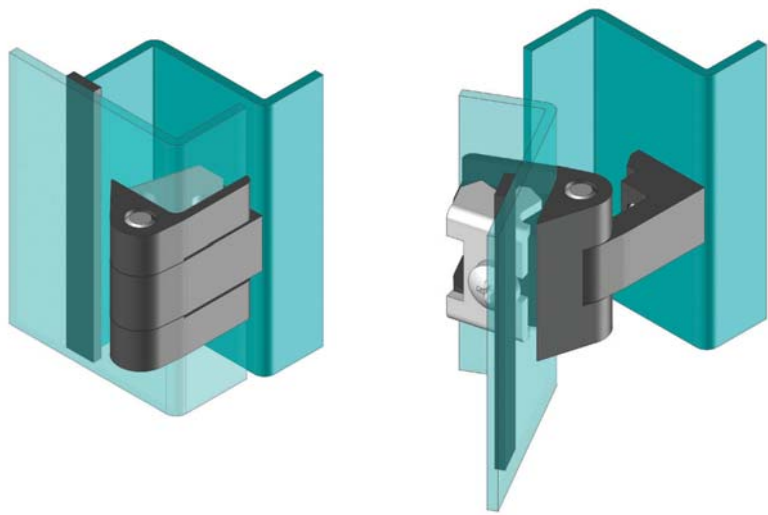
**MATERIAL**

DOOR PART: Zinc Alloy DIN-EN 1774-ZnAl4Cu1  
 FRAME PART: Zinc Alloy DIN-EN 1774-ZnAl4Cu1

FIXING BRACKET: Steel

**FINISH**

Chrome plated or black coated



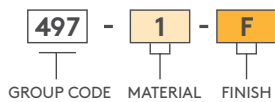
Hinge Rotation Angle



**Note:** Bolts are supplied

**Note:** The listing of this/these product(s) in the catalogue does not constitute an offer to sell any of those products in Germany

**PRODUCT CODE**



MATERIAL	M	FINISH	F
Zinc Alloy	1	Chrome	1
		Black coated	2

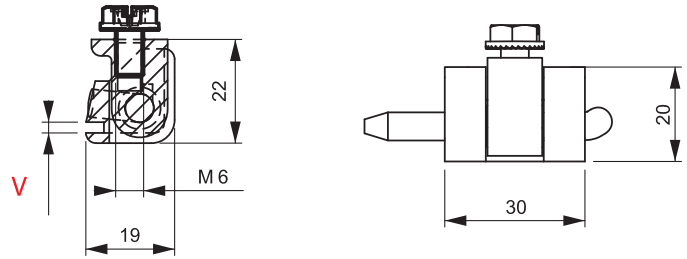
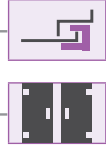
# CORNER HINGES

## CORNER HINGE

097



RoHS



- Stainless steel version: page 498
- Corner hinge
- Suitable for steel panels with a thickness of between 1.0 mm - 2.2 mm and 2.5 mm
- Hinge pin available in three types

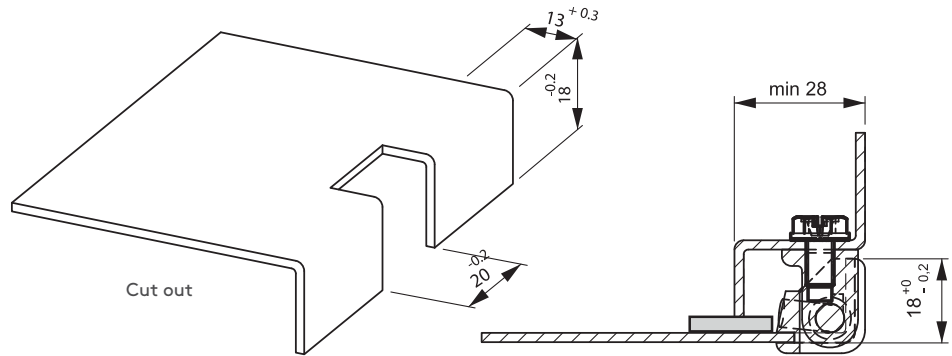
### MATERIAL

FIXED, MOVABLE PARTS:

Zinc Alloy DIN-EN 1774-ZnAl4Cu1  
PIN: Steel or poliasetal (Delrin)

### FINISH

Chrome plated or black coated



**V : 15**

1.0 mm - 1.2 mm  
door plate thickness  
(097 M-F-P-15)

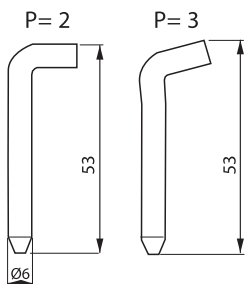
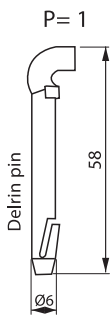
**V : 22**

1.5 mm - 2 mm  
door plate thickness  
(097 M-F-P-22)

**V : 25**

2 mm - 2.5 mm  
door plate thickness  
(097 M-F-P-25)

Hinge Rotation Angle



### PRODUCT CODE

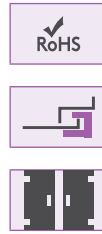
097 - 1 - F - P - V  
GROUP CODE MATERIAL FINISH PIN VERSION

MATERIAL	M	FINISH	F
Zinc Alloy	1	Chrome	1
		Black coated	2



197

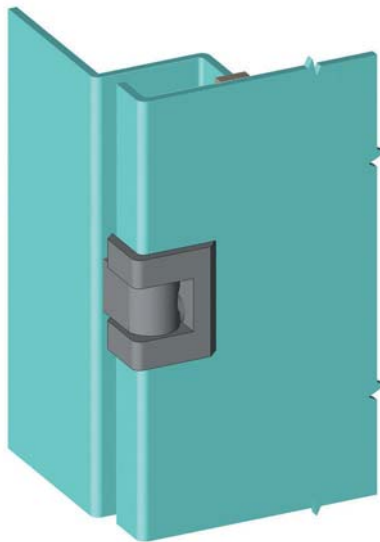
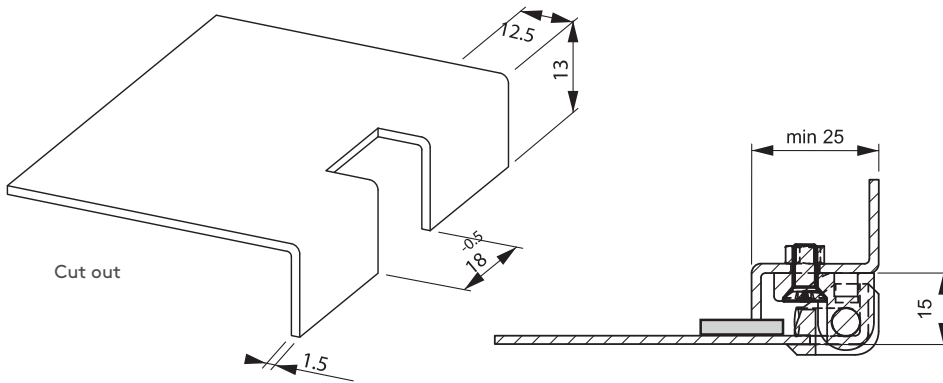
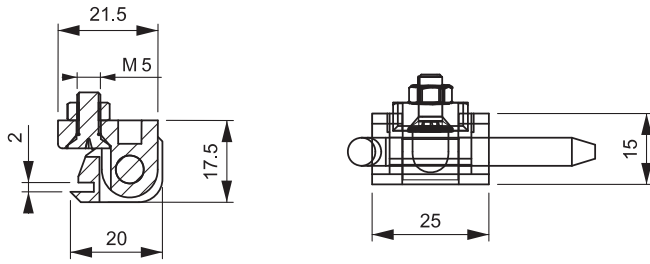
CORNER HINGE



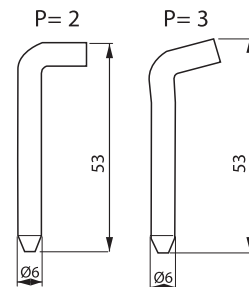
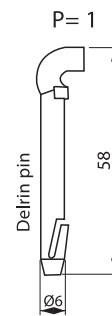
- Corner hinge. Suitable for steel panels with a thickness of between 0.8 mm - 1.5 mm
- Hinge pin available in three types

**MATERIAL**

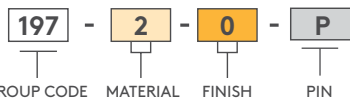
BODY: Polyamide PA6 GFR 30  
PIN: Steel or poliasetal (Delrin)



Hinge Rotation Angle



**PRODUCT CODE**



<b>MATERIAL</b>	<b>M</b>	<b>FINISH</b>	<b>F</b>
Plastic	2	No finish	0

# CORNER HINGES

## CORNER HINGE

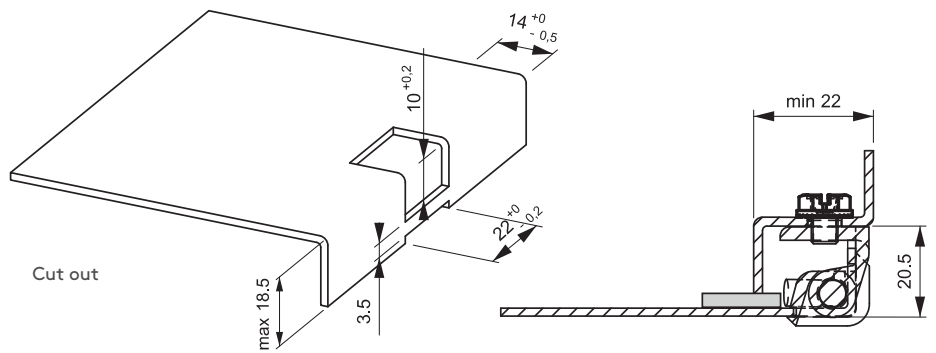
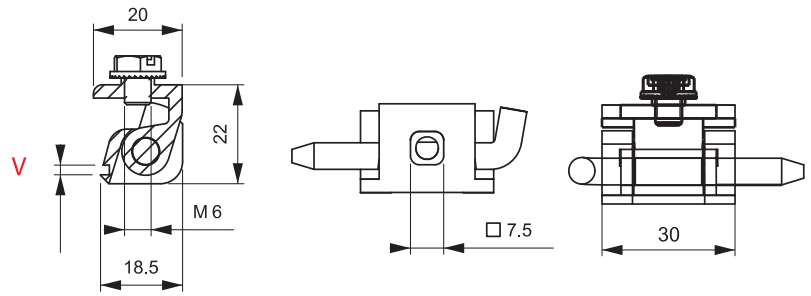
297



- Corner hinge. Cut out helps provide greater resistance than 097 hinge
- Suitable for steel panels with a thickness of between 1.0 mm and 1.5 mm
- Hinge pin available in three types

**MATERIAL**  
 FIXED, MOVABLE PARTS:  
 Zinc Alloy DIN-EN 1774-ZnAl4Cu1  
 PIN: Steel or poliasetal (Delrin)

**FINISH**  
 Chrome plated or black coated



**V : 15**

1.0 mm - 1.2 mm door plate thickness  
 (297 M-F-P-15)

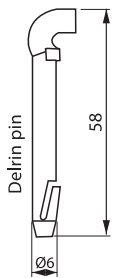
**V : 22**

1.5 mm door plate thickness  
 (297 M-F-P-22)

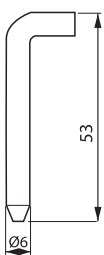
Hinge Rotation Angle



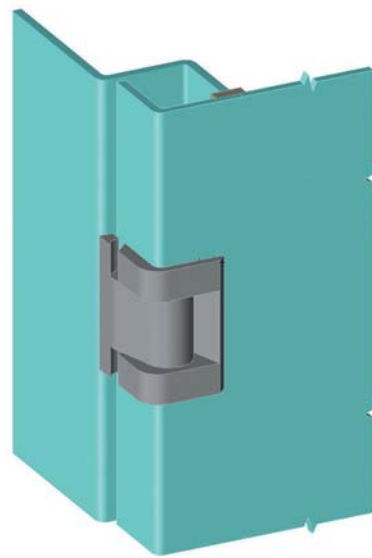
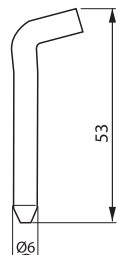
P= 1



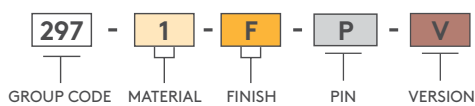
P= 2



P= 3



### PRODUCT CODE

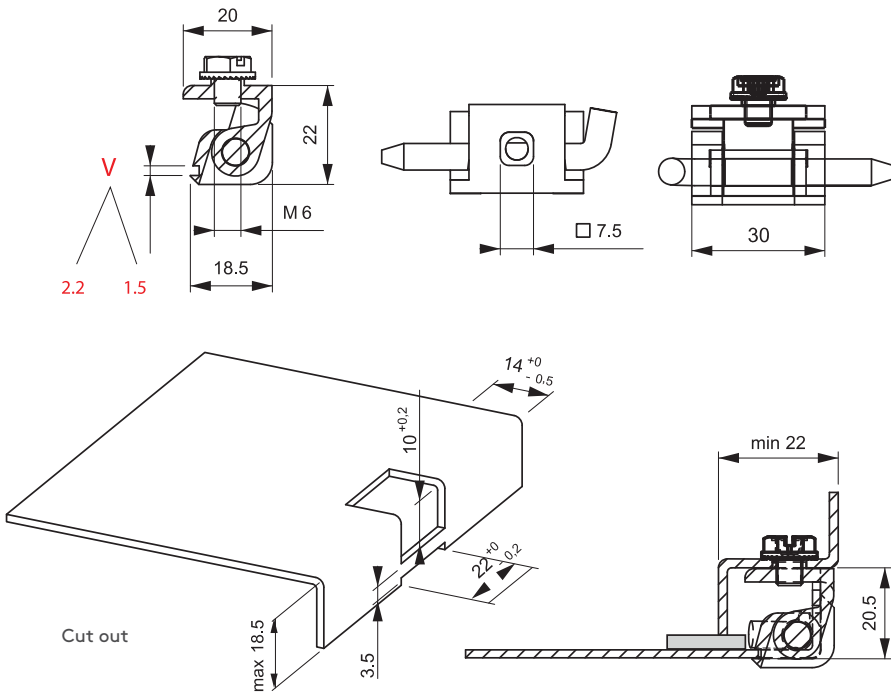


MATERIAL		M	FINISH		F
Zinc Alloy		1	Chrome		1
			Black coated		2



397

CORNER HINGE



- Corner hinge. Cut out helps provide greater resistance than 097 hinge.
- Steel frame part provides higher strength
- Suitable for steel panels with a thickness of between 1.0 mm and 1.5 mm
- Hinge pin available in four types

MATERIAL

BODY: Zinc Alloy DIN-EN 1774-ZnAl4Cu1  
 FRAME PART: Steel

FINISH

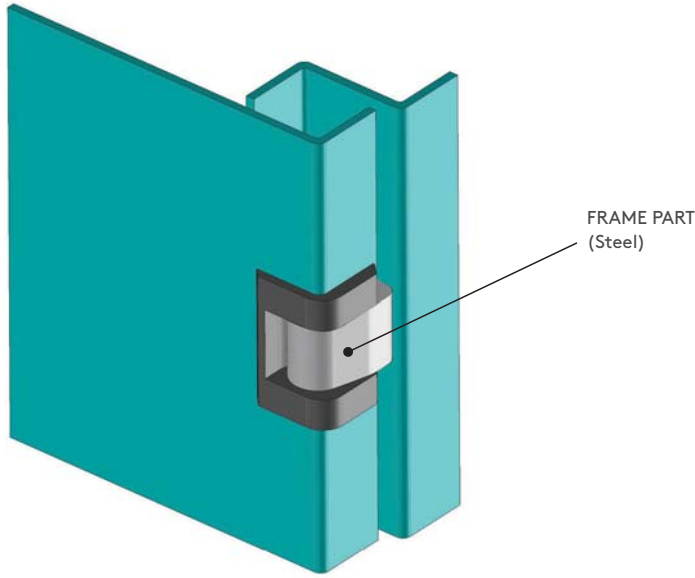
Chrome plated or black coated

V : 15

1.0 mm - 1.2 mm door plate thickness  
 (397 M-F-P-15)

V : 22

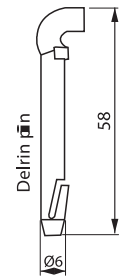
1.5 mm door plate thickness  
 (397 M-F-P-22)



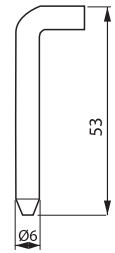
Hinge Rotation Angle



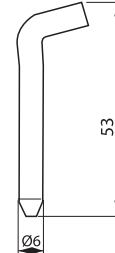
P= 1



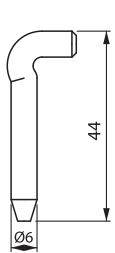
P= 2



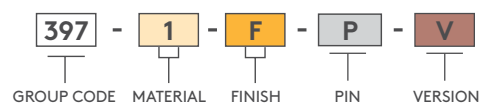
P= 3



P= 4



PRODUCT CODE

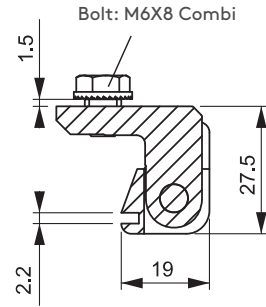
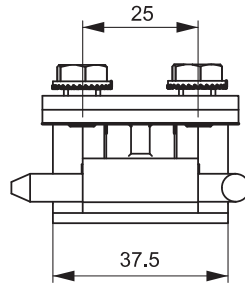


MATERIAL	M	FINISH	F
Zinc Alloy	1	Chrome	1
		Black coated	2

# CORNER HINGES

## CORNER HINGE

298



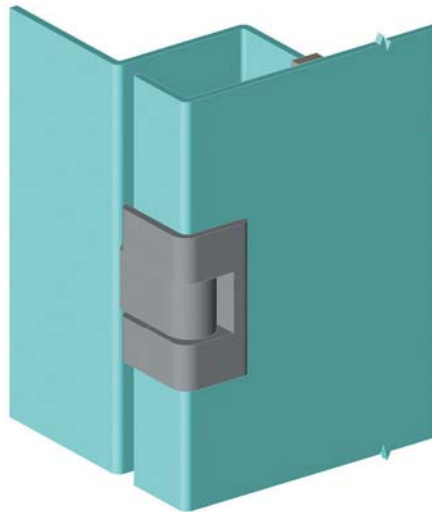
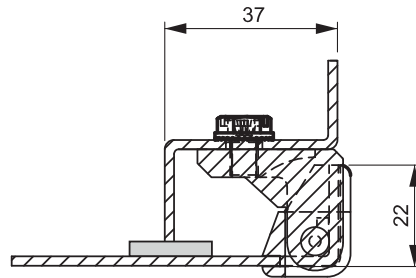
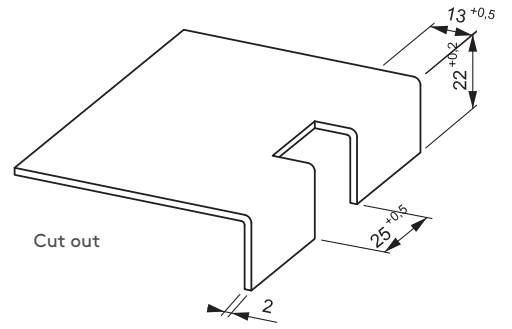
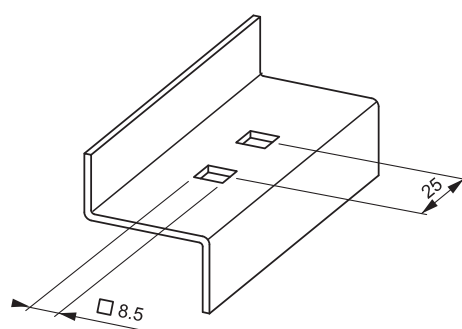
- Corner hinge. Suitable for steel panels with a thickness of between 1.5 mm and 2 mm
- Steel hinge pin
- With M6 threaded studs for internal fastening

**MATERIAL**

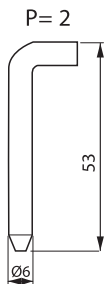
BODY: Zinc Alloy DIN-EN 1774-ZnAl4Cu1  
 PIN: Steel

**FINISH**

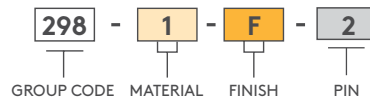
Chrome plated or black coated



Hinge Rotation Angle



**PRODUCT CODE**

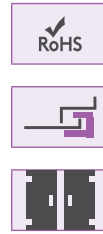


MATERIAL		M	FINISH		F
Zinc Alloy		1	Chrome		1
			Black coated		2



098

CORNER HINGE



- Suitable for steel panels with a thickness of between 1.5 mm and 2 mm
- Steel hinge pin

**MATERIAL**

BODY: Zinc Alloy DIN-EN 1774-ZnAl4Cu1  
PIN: Steel

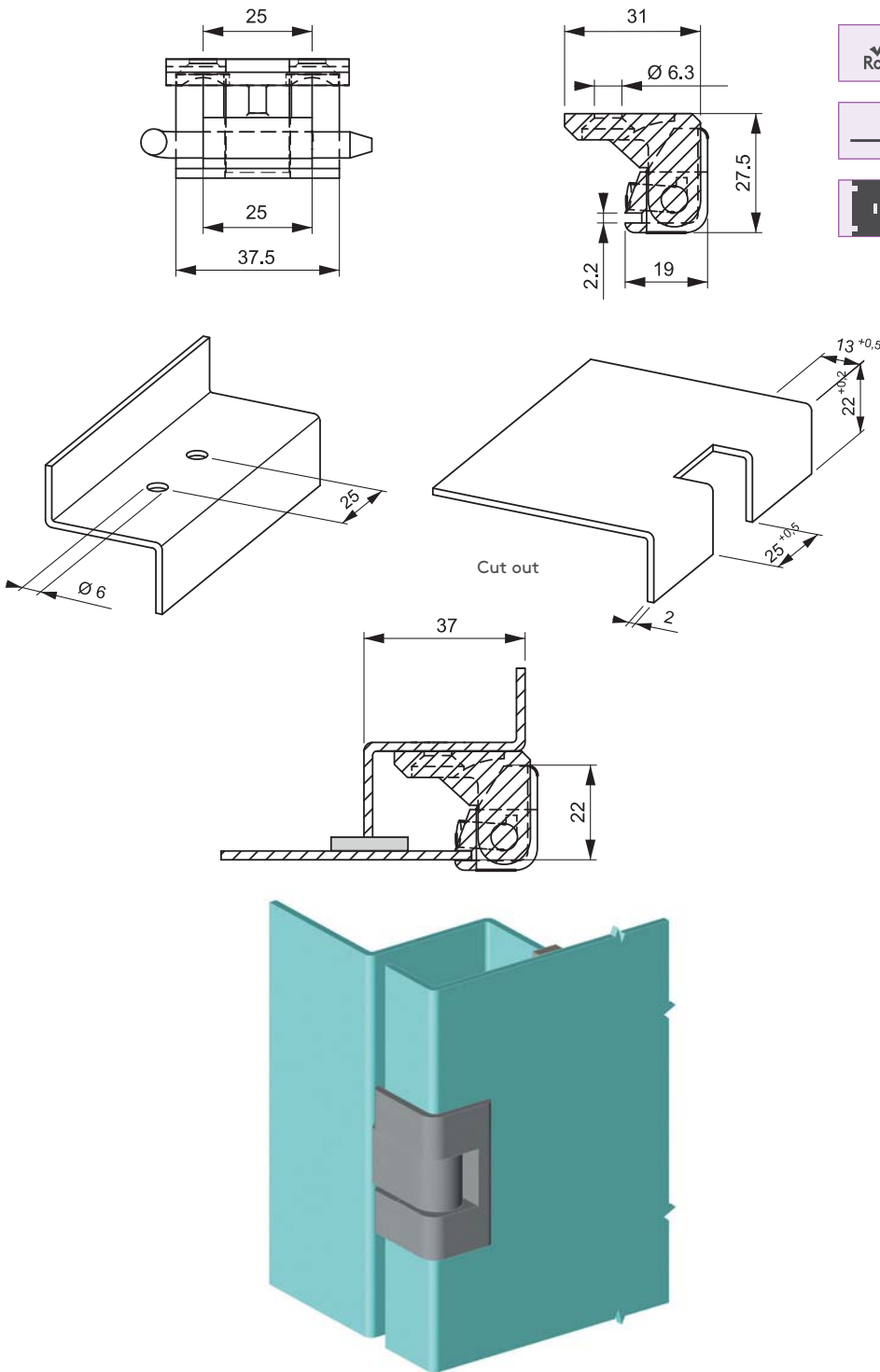
**FINISH**

Chrome plated or black coated

Hinge Rotation Angle



**Note:** Bolts are not supplied



**PRODUCT CODE**



MATERIAL	M	FINISH	F
Zinc Alloy	1	Chrome	1
		Black coated	2





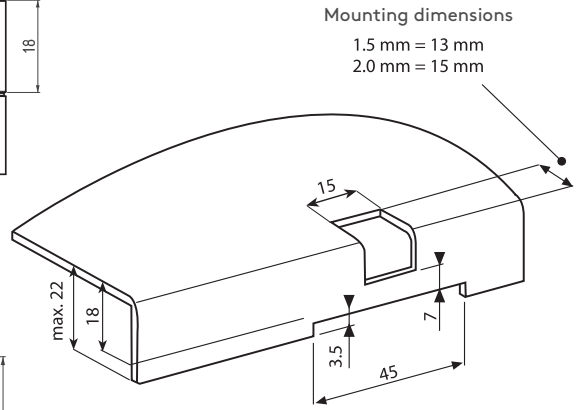
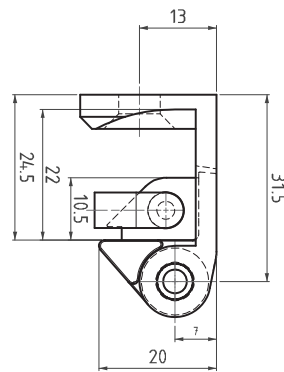
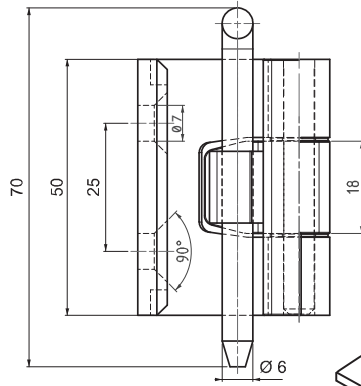
# CORNER HINGES

## CORNER HINGE

**398**



**V : 2**



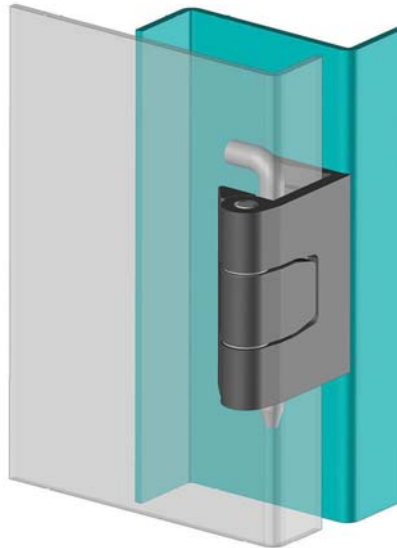
- Left and right versions available
- Maximum opening angle 180°
- Special cut out is necessary for cabinet door
- Stainless steel spacers are used between the hinge parts
- Suitable for 25 mm door bend cabinets

**MATERIAL**

BODY: Zinc Alloy DIN-EN 1774-ZnAl4Cu1  
PIN: Steel

**FINISH**

Chrome plated or black coated

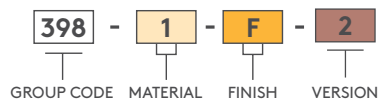


Hinge Rotation Angle



**⚠ Note:** Bolts are not supplied

**PRODUCT CODE**



MATERIAL	M	FINISH	F
Zinc Alloy	1	Chrome	1
		Black coated	2

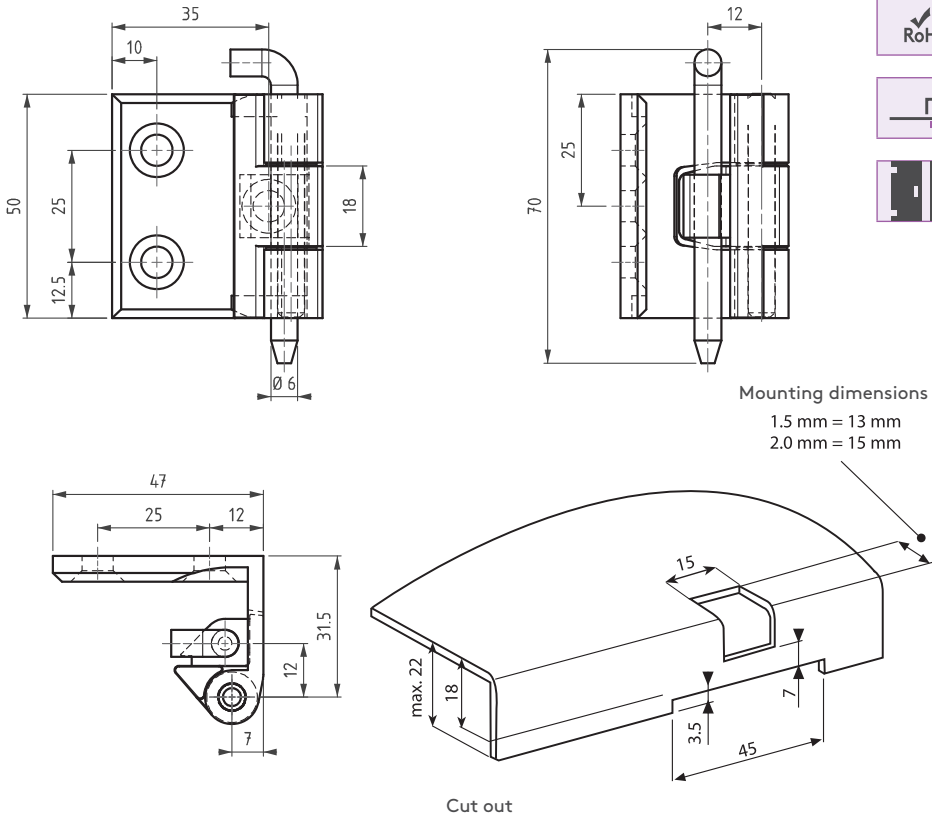


398

CORNER HINGE

V :1

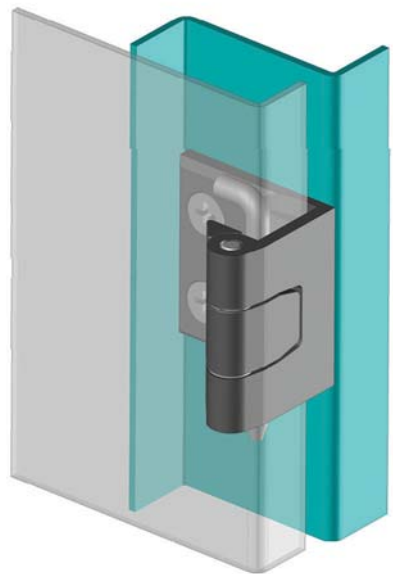
- RoHS
- 
- 



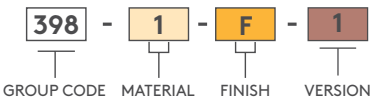
- Left and right versions available
- Maximum opening angle 180°
- Special cut out necessary for cabinet door
- Stainless steel spacers used between hinge parts
- Suitable for 25 mm door bend cabinets

**MATERIAL**  
 BODY: Zinc Alloy DIN-EN 1774-ZnAl4Cu1  
 PIN: Steel

**FINISH**  
 Chrome plated or black coated



PRODUCT CODE



MATERIAL	M	FINISH	F
Zinc Alloy	1	Chrome	1
		Black coated	2

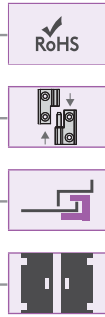
Hinge Rotation Angle  
 180°

**Note:** Bolts are not supplied

# CORNER HINGES

## CORNER HINGE

498



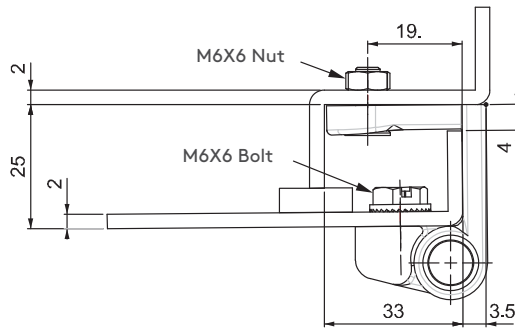
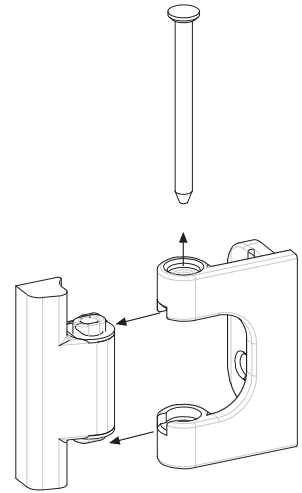
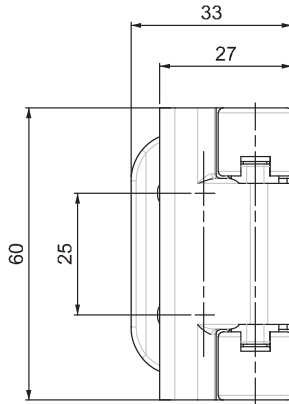
- Door can be removed when opened at 90° by withdrawing pin
- Suitable for 25 mm door bends

**MATERIAL**

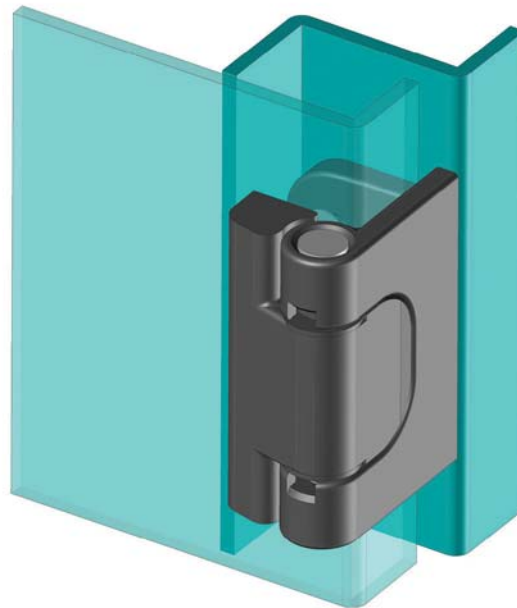
BODY: Zinc Alloy DIN-EN 1774-ZnAl4Cu1  
 PIN: Plastic

**FINISH**

Chrome plated or black coated



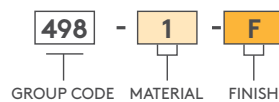
Hinge Rotation Angle



**Note:** Bolts are not supplied

**Note:** The listing of this/these product(s) in the catalogue does not constitute an offer to sell any of those products in Germany

**PRODUCT CODE**



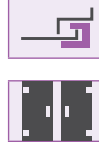
MATERIAL		M	FINISH		F
Zinc Alloy		1	Chrome		1
			Black coated		2



400

CORNER HINGE

RoHS



- For fitting to corner of doors with 16.5 mm bend
- M5 stud version available. Polyamide mounting supplied for fixing body.
- Budget-priced, polyamide version available

**MATERIAL**

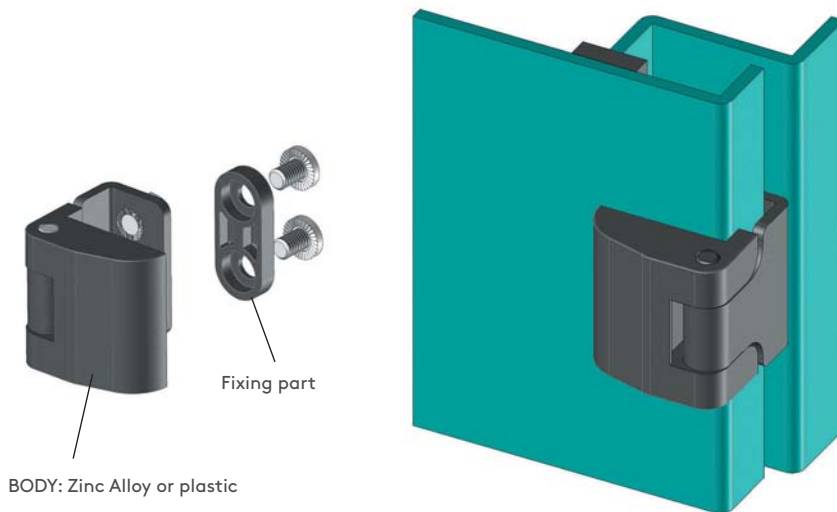
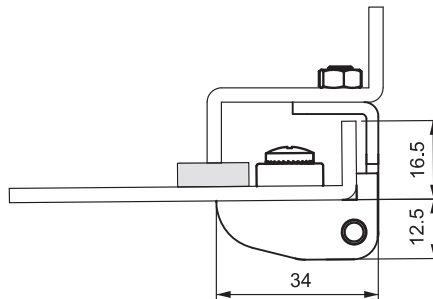
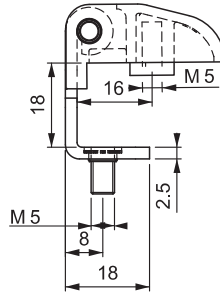
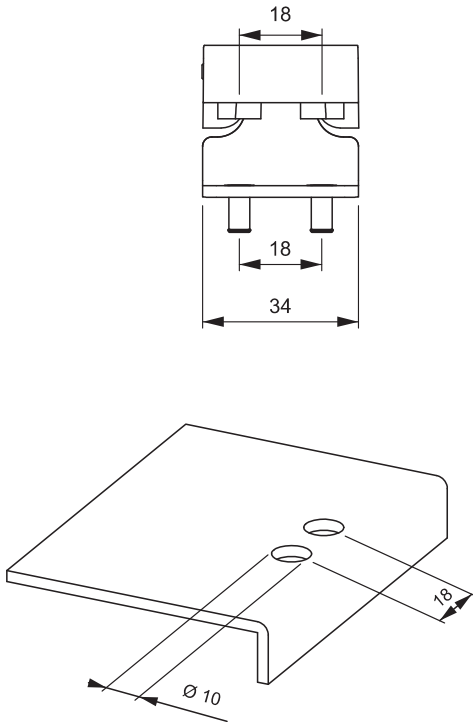
BODY : Zinc Alloy DIN-EN 1774-ZnAl4Cu1 or PA6 GFR 30

FIXED PART: Steel

PIN: Steel

**FINISH**

Black coated



**PRODUCT CODE**

400 - M - F - 18 - 1

GROUP CODE MATERIAL FINISH VERSION STUD

MATERIAL	M	FINISH	F
Zinc Alloy	1	Black coated	2
Plastic	2	No finish	0

Hinge Rotation Angle



# CORNER HINGES

## CORNER HINGE

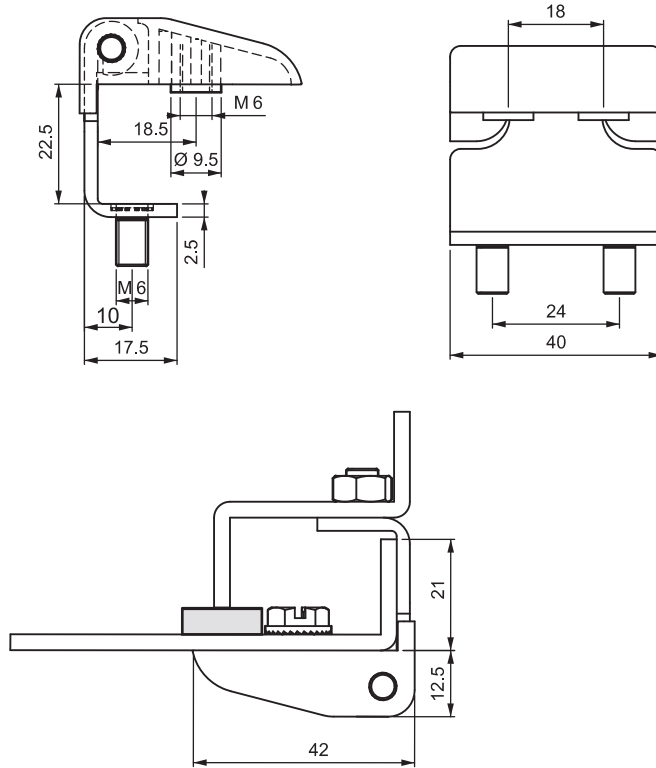
200



Hole



Stud



- For fitting to corner of doors with 21 mm bend
- Stud version available, using M6 studs

**MATERIAL**

BODY: Zinc Alloy DIN-EN 1774-ZnAl4Cu1  
 FRAME PART: Steel  
 PIN: Steel

**FINISH**

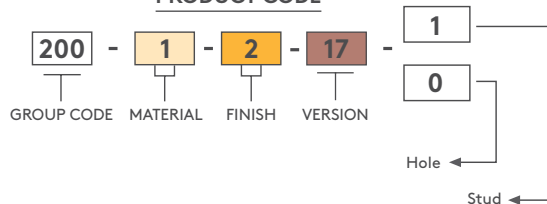
Black coated



Hinge Rotation Angle



**PRODUCT CODE**



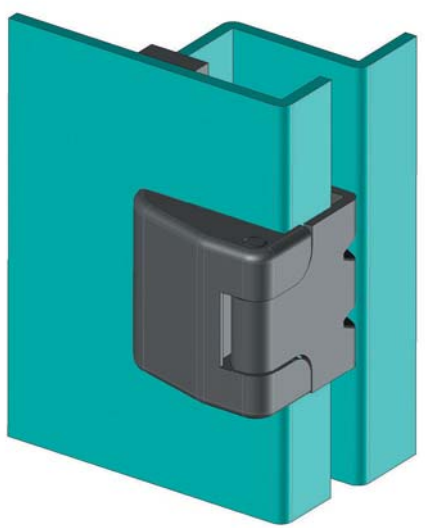
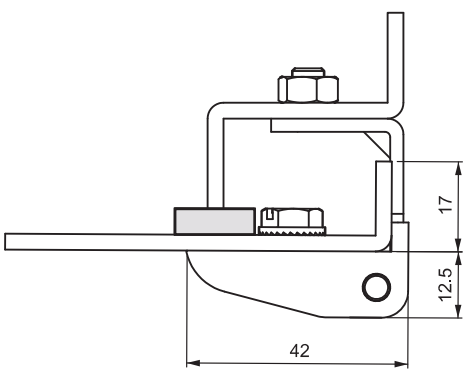
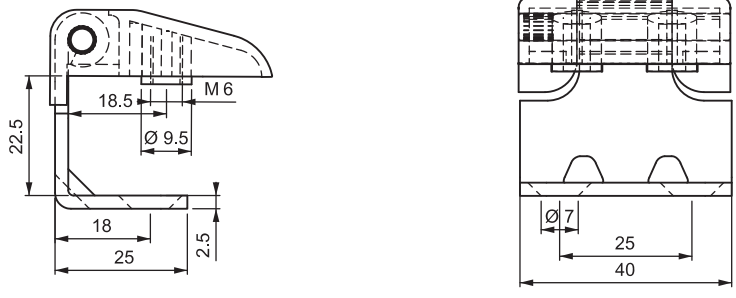
MATERIAL	M	FINISH	F
Zinc Alloy	1	Black coated	2



200

CORNER HINGE

- RoHS
- 
- 



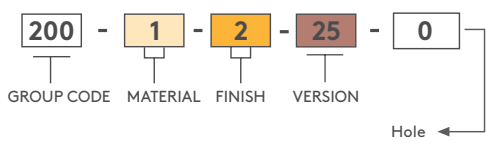
**MATERIAL**

BODY: Zinc Alloy DIN-EN 1774-ZnAl4Cu1  
 FRAME PART: Steel  
 PIN: Steel

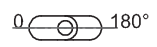
**FINISH**

Black coated

**PRODUCT CODE**



Hinge Rotation Angle



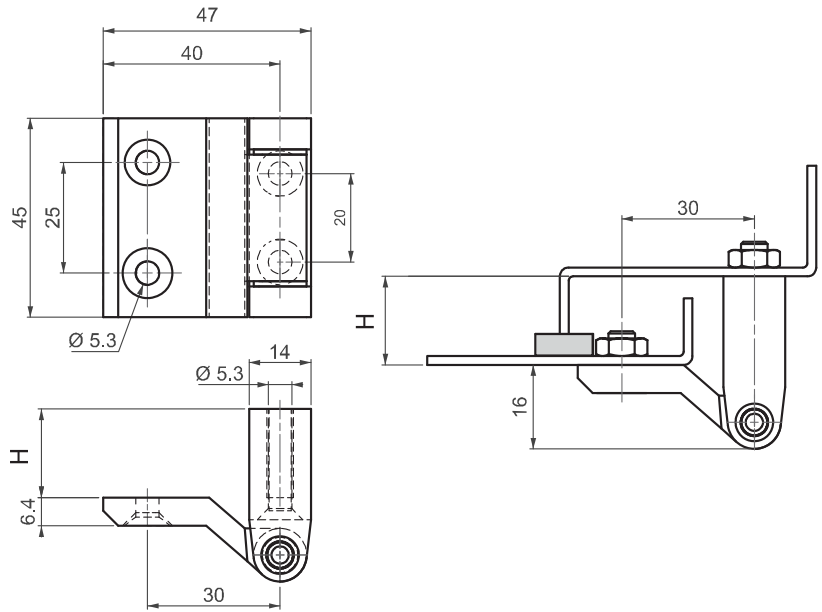
**Note:** Bolts are not supplied

MATERIAL	M	FINISH	F
Zinc Alloy	1	Black coated	2

# CORNER HINGES

## CORNER HINGE

100



- Designed for plain/flush-mounted and side-mounted doors
- For side-mounted doors with a bend between 2 mm and 30 mm
- Hardened steel hinge pin

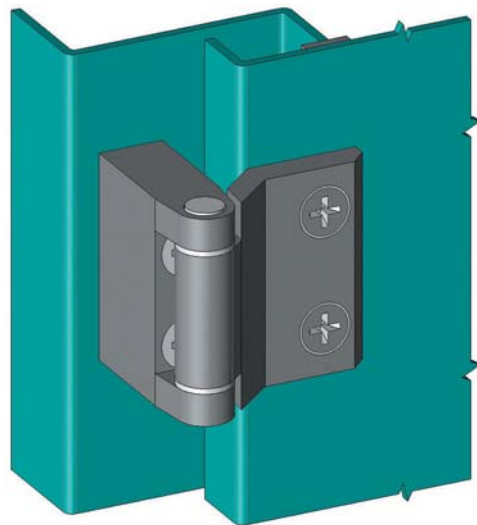
**MATERIAL**

BODY: Zinc Alloy DIN-EN 1774-ZnAl4Cu1  
 PIN: Steel  
 BEARING: Delrin

**FINISH**

Black coated

H
02
03
05
07
10
15
17
20
25
27
30

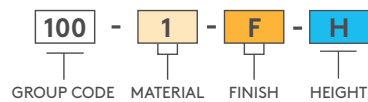


Hinge Rotation Angle



**⚠ Note:** Bolts are not supplied

**PRODUCT CODE**



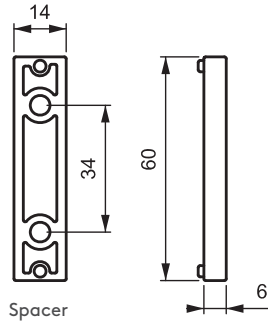
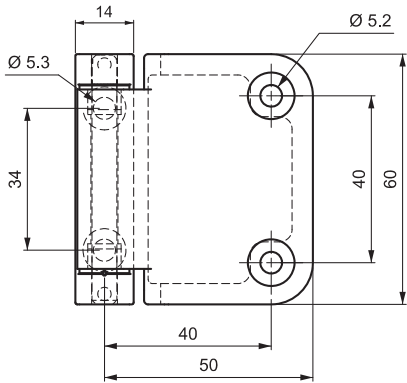
MATERIAL	M	FINISH	F
Zinc Alloy	1	Chrome	1
		Black coated	2



600

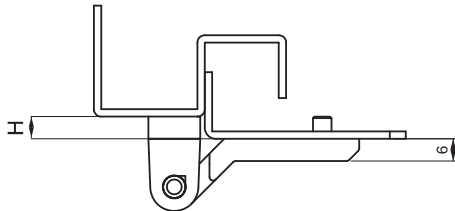
CORNER HINGE

V : 3

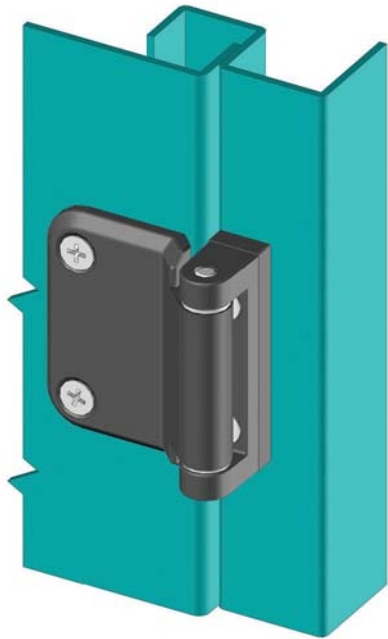


Spacer

Spacer application  
600 1-2-H-3



H
06
12
18



- Stainless steel version: page 502
- Designed for plain, side-mounted doors
- For side-mounted doors with a bend of 0-15 mm
- Pin and plastic guides supplied separately

MATERIAL

BODY: Zinc Alloy DIN-EN 1774-ZnAl4Cu1  
 PIN: Steel  
 BEARING: Delrin

FINISH

Black coated

PRODUCT CODE



<b>MATERIAL</b>	<b>M</b>	<b>FINISH</b>	<b>F</b>
Zinc Alloy	1	Black coated	2

Hinge Rotation Angle



**Note:** Bolts are not supplied



# CORNER HINGES

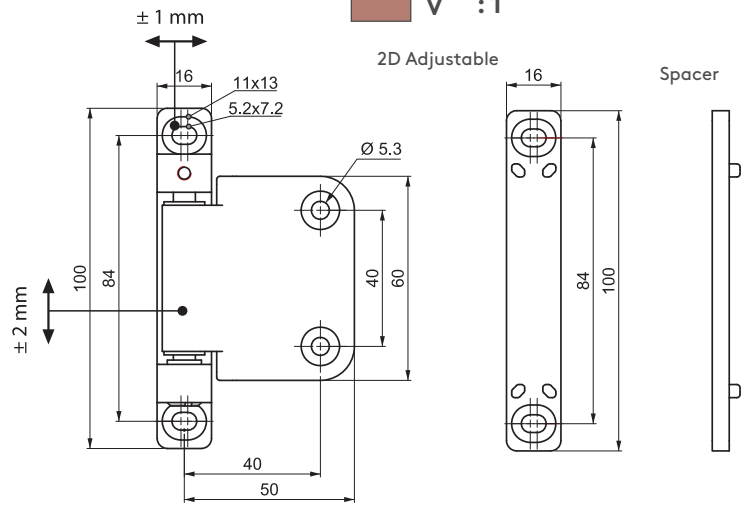
## HVAC HINGE (2D)

600



RoHS

2D



- Designed for plain, side-mounted doors
- For side-mounted doors with a bend of 0-15 mm
- Hinge supplied pre-assembled to decrease labour costs
- Two-dimensional door adjustments possible
- Axial adjustment is  $\pm 2$  mm. Radial adjustment is  $\pm 1$  mm

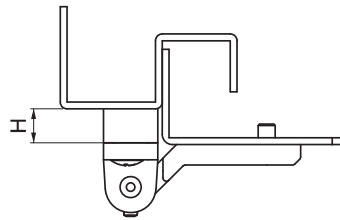
### MATERIAL

BODY: Zinc Alloy DIN-EN 1774-ZnAl4Cu1  
 PIN: Steel  
 BEARING: Delrin

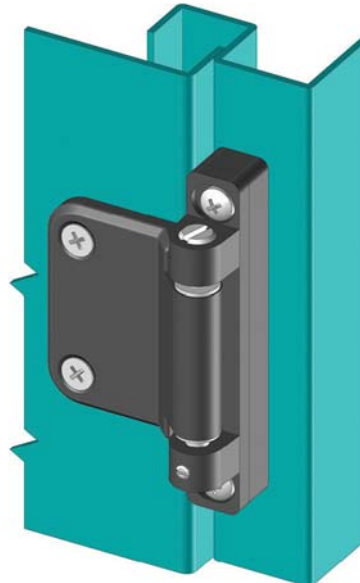
### FINISH

Black coated

Spacer application  
600 1-2-H-1



H
05
10
15

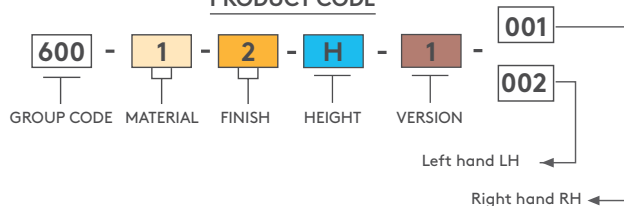


Hinge Rotation Angle



**Note:** Bolts are not supplied

### PRODUCT CODE

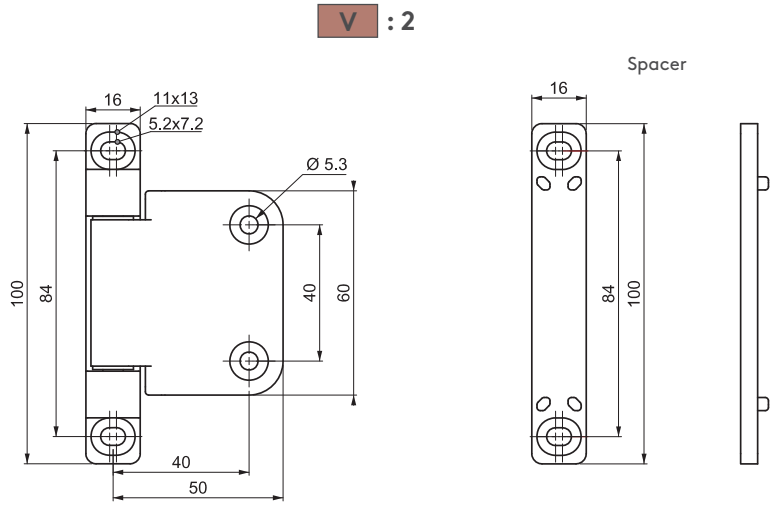


MATERIAL	M	FINISH	F
Zinc Alloy	1	Black coated	2



600

HVAC HINGE



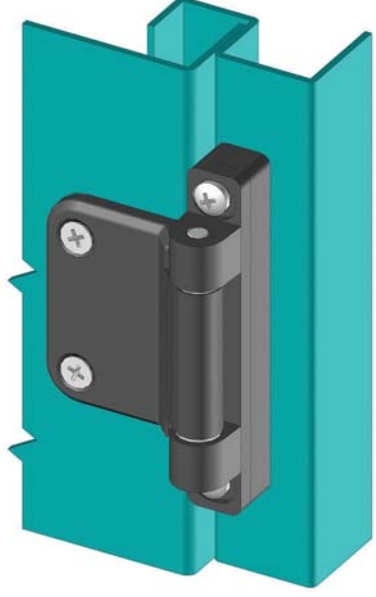
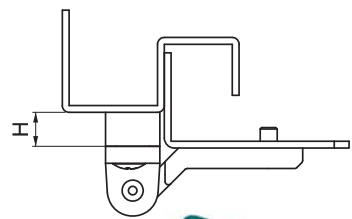
V : 2



- Designed for plain, side-mounted doors
- For side-mounted doors with a bend of 5-15 mm
- Hinge supplied pre-assembled to decrease labour costs

Spacer application  
600 1-2-H-2

H
05
10
15



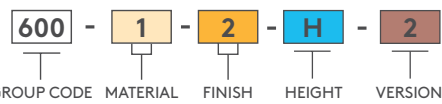
**MATERIAL**

BODY: Zinc Alloy DIN-EN 1774-ZnAl4Cu1  
PIN: Steel  
BEARING: Delrin

**FINISH**

Black coated

**PRODUCT CODE**



Hinge Rotation Angle



<b>MATERIAL</b>	<b>M</b>	<b>FINISH</b>	<b>F</b>
Zinc Alloy	1	Black coated	2

**Note:** Bolts are not supplied

# CORNER HINGES

## HVAC HINGE (2D)

700



2D



- Designed for plain, side-mounted doors
- For side-mounted doors with a bend of 2-12 mm
- Hinge supplied pre-assembled to decrease labour costs
- Two-dimensional door adjustments possible
- Axial adjustment is  $\pm 2$  mm. Radial adjustment is  $\pm 1$  mm

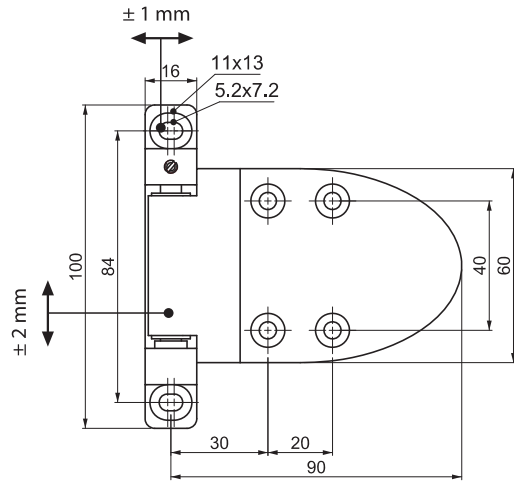
### MATERIAL

BODY: Zinc Alloy DIN-EN 1774-ZnAl4Cu1  
 PIN: Steel  
 BEARING: Delrin

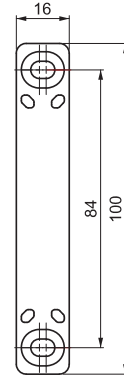
### FINISH

Black coated

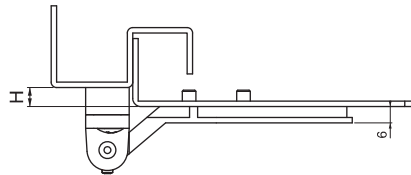
V : 1



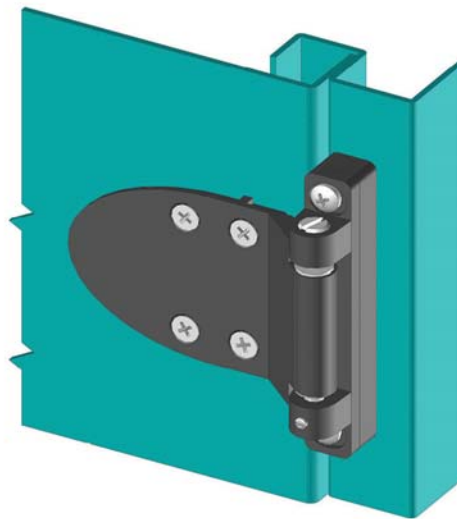
Spacer



Spacer application  
700 1-2-H-1



H
02
07
12

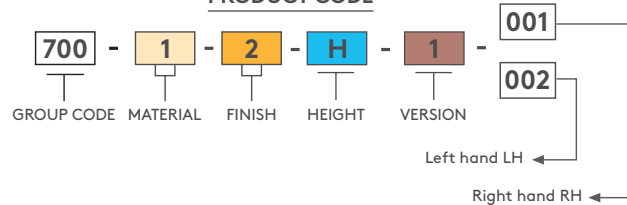


Hinge Rotation Angle



**Note:** Bolts are not supplied

### PRODUCT CODE



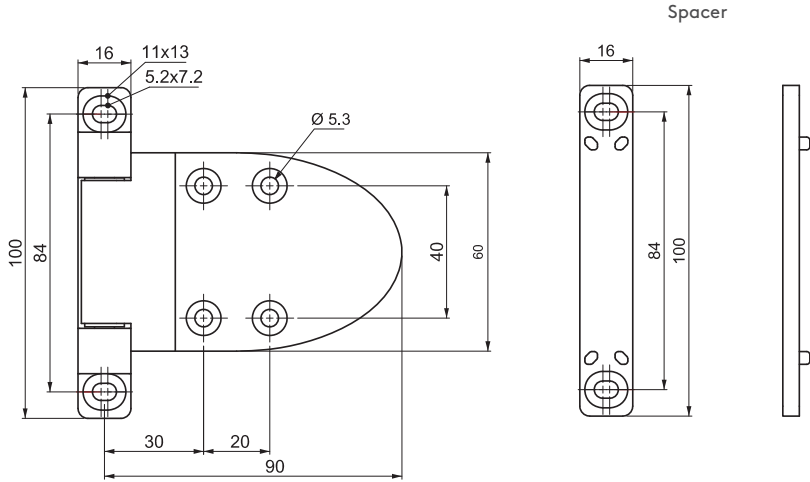
MATERIAL	M	FINISH	F
Zinc Alloy	1	Black coated	2



700

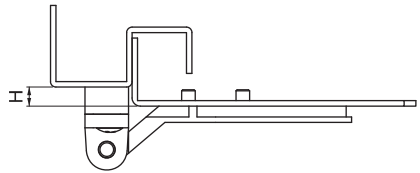
HVAC HINGE

V : 2



- Designed for plain, side-mounted doors
- For side mounted doors with a bend of 2-12 mm
- Hinge supplied pre-assembled to decrease customer labour costs

Spacer application 700 1-2-H-2



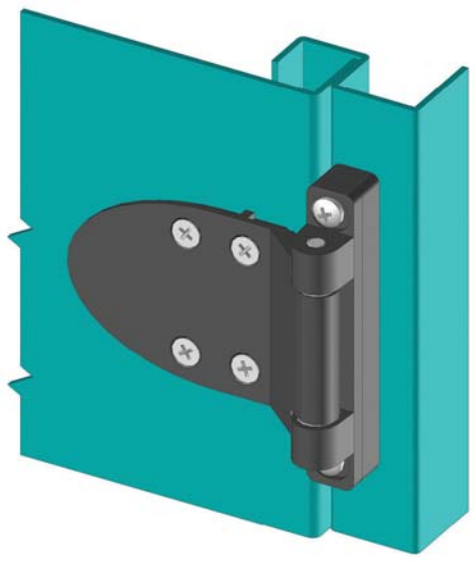
H
02
07
12

**MATERIAL**

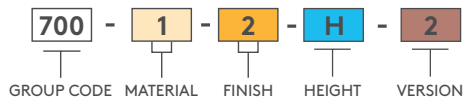
BODY: Zinc Alloy DIN-EN 1774-ZnAl4Cu1  
 PIN: Steel  
 BEARING: Delrin

**FINISH**

Black coated

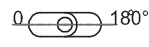


**PRODUCT CODE**



MATERIAL	M	FINISH	F
Zinc Alloy	1	Black coated	2

Hinge Rotation Angle



**Note:** Bolts are not supplied

# HINGES

## FLAT HINGES

GROUP CODE	PRODUCT NAME
1299	MINI LEAF HINGE
299	LEAF HINGE
199	LEAF HINGE
099	LEAF HINGE
399	LEAF HINGE
1399	LEAF HINGE
1699	LEAF HINGE
1499	LEAF HINGE
900	LEAF HINGE
899	LEAF HINGE
499	LEAF HINGE
599	LEAF HINGE
1599	LEAF HINGE
799	LEAF HINGE
2899	LEAF HINGE
4299	LIFT-OFF HINGE
1199	LEAF HINGE
2199	TORQUE HINGE
2099	TORQUE HINGE
2599	INDEX HINGE
2399	ADJUSTABLE TORQUE HINGE
2499	ADJUSTABLE TORQUE HINGE
699	LIFT-OFF HINGE
100	HINGE WITH BEARING
600	HINGE WITH BEARING
700	HVAC HINGE
800	HVAC HINGE
500	HVAC HINGE
300	HVAC HINGE
693	HINGE WITH BEARING
340.0.8023	TRUCK CARRIER HINGE
340.0.8029	TRUCK CARRIER HINGE



**PAGE**

359

360

361

362 - 363

364- 365

366 - 367

368

369

370

371

372

373

374 - 375

376

377

378

379

380

380

381

382

383

384 - 385

386

387 - 389

390 - 391

392

393

394

395

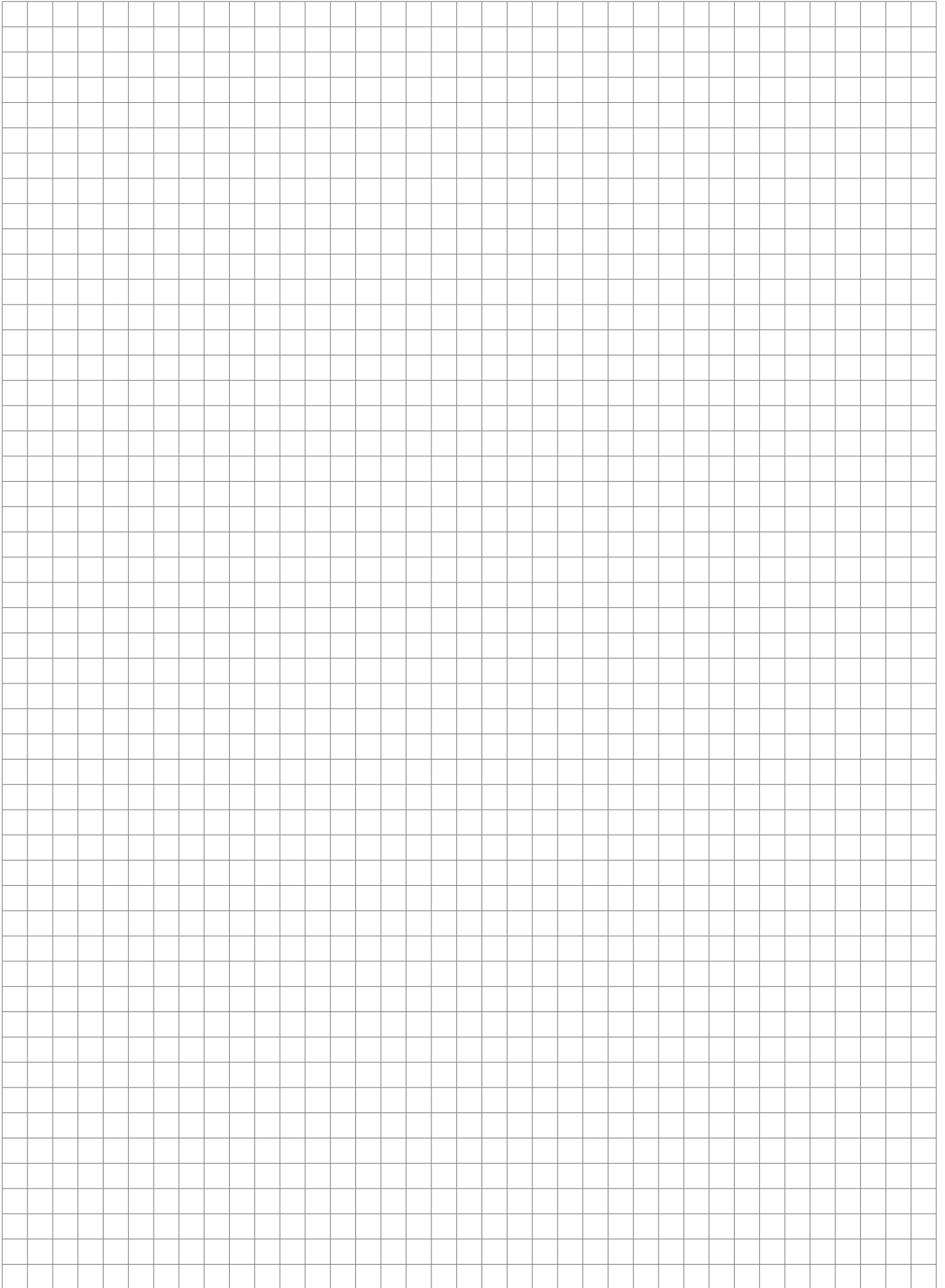
396

396



▶ **FLAT HINGES**

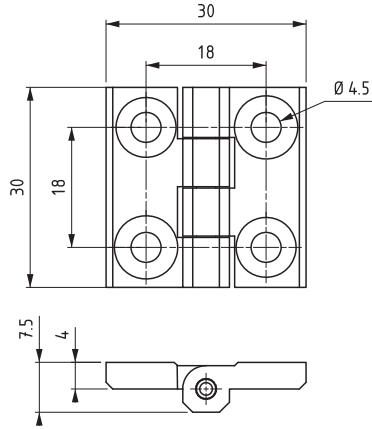
---





1299

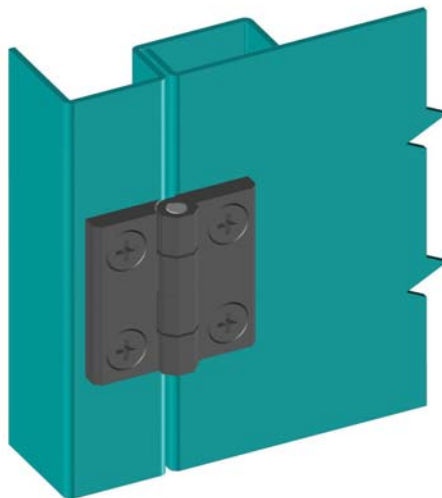
MINI LEAF HINGE



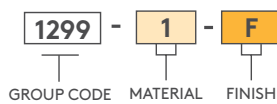
- Stainless steel version: page 502
- Generally used for plain/small flush mounted doors.
- Opening angle is 270°

**MATERIAL**

BODY: Zinc Alloy DIN-EN 1774-ZnAl4Cu1  
 PIN: Stainless Steel



**PRODUCT CODE**



MATERIAL		FINISH	
	M		F
Zinc Alloy	1	Chrome	1
		Black coated	2

Hinge Rotation Angle

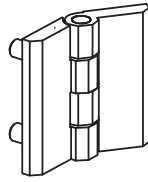
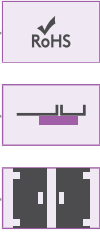




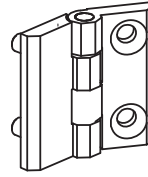
# FLAT HINGES

## LEAF HINGE

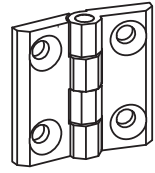
299



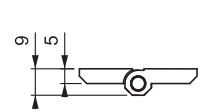
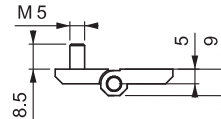
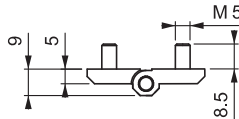
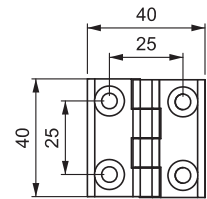
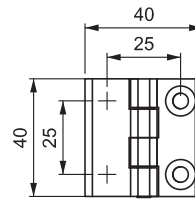
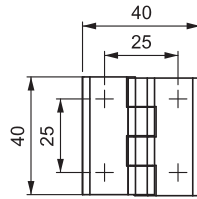
V : 1



V : 2



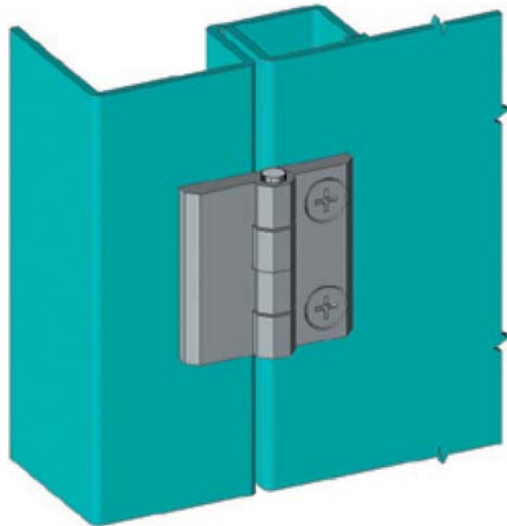
V : 3



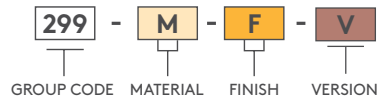
- **Stainless steel version: page 504**
- Generally used for plain/flush mounted doors
- Stud versions fitted with M5 x 8.5 mm threaded stud
- Stainless steel (AISI 304) hinge pin.
- Maximum hinge rotation 270°

**MATERIAL**

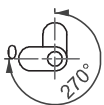
BODY: Zinc Alloy DIN-EN 1774-ZnAl4Cu1  
 PIN: Stainless Steel



**PRODUCT CODE**



Hinge Rotation Angle

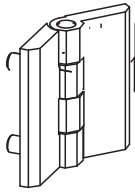


MATERIAL	M	FINISH	F
Zinc Alloy	1	Chrome	1
		Black coated	2
Plastic	2	No finish	0

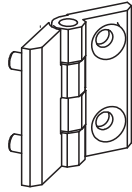


199

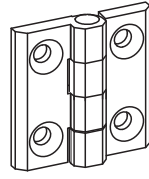
LEAF HINGE



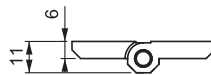
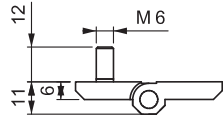
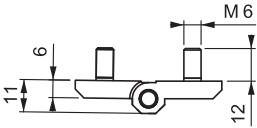
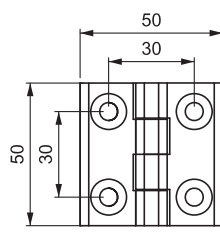
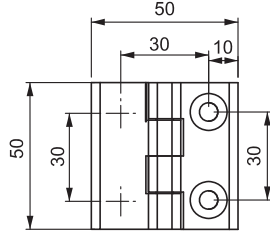
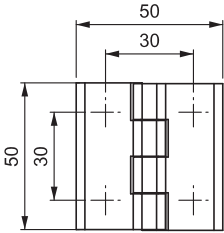
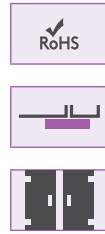
V : 1



V : 2



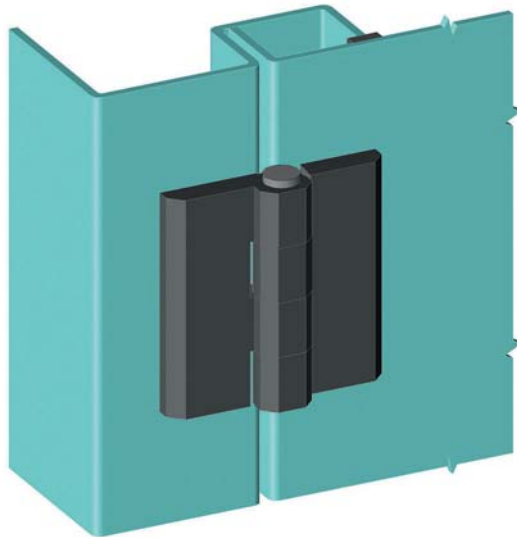
V : 3



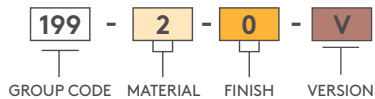
- Generally used for plain/flush-mounted doors
- Stud versions fitted with M6 x 12 mm threaded stud
- Stainless steel (AISI 304) hinge pin.
- Maximum hinge rotation 270°

**MATERIAL**

BODY: Polyamide DIN-EN ISO 1043-1 PA 6 GFR 30  
 PIN: Stainless Steel



**PRODUCT CODE**



<b>MATERIAL</b>	<b>M</b>	<b>FINISH</b>	<b>F</b>
Plastic	2	No finish	0

Hinge Rotation Angle



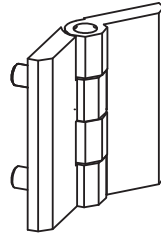
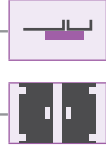
# FLAT HINGES

## LEAF HINGE

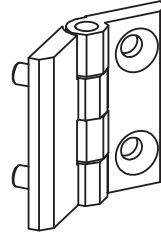
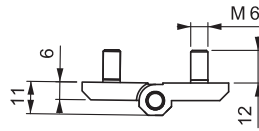
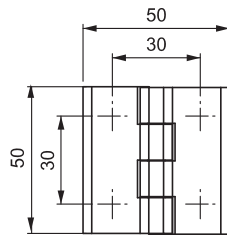
099



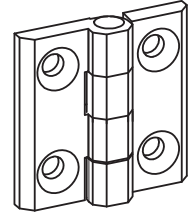
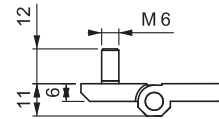
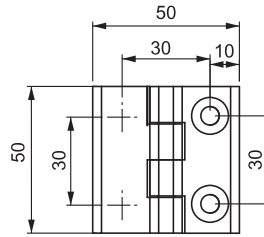
RoHS



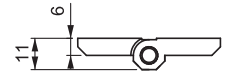
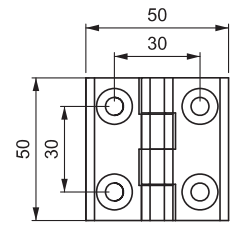
V : 1



V : 2



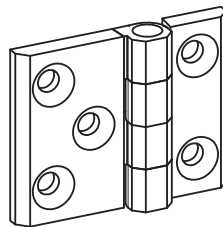
V : 4



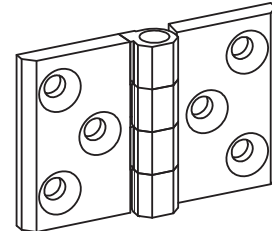
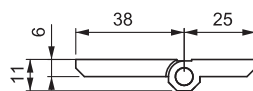
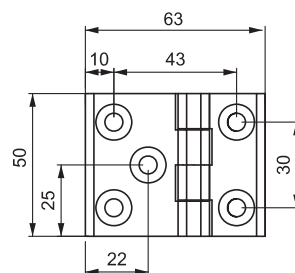
- Stainless steel version page 504
- Generally used for plain/flush-mounted doors
- Stud versions fitted with M6 x 12 mm threaded stud
- Stainless steel (AISI 304) hinge pin.
- Maximum hinge rotation 270°
- Available in three sizes, hole or stud fixing:
  - 50 mm x 50 mm
  - 50 mm x 63 mm
  - 50 mm x 76 mm

### MATERIAL

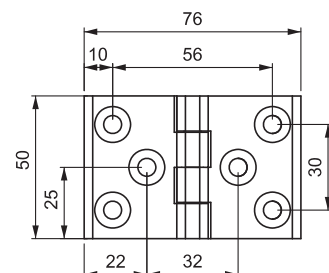
BODY: Zinc Alloy DIN-EN 1774-ZnAl4Cu1  
PIN: Stainless Steel



V : 5



V : 6



Hinge Rotation Angle

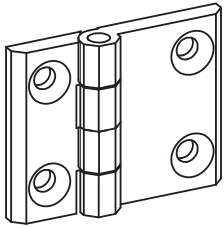




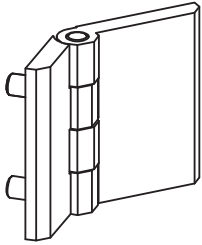
099

LEAF HINGE

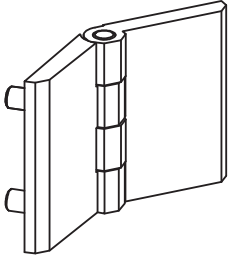
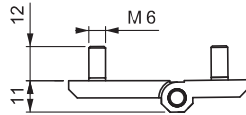
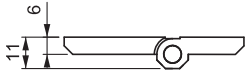
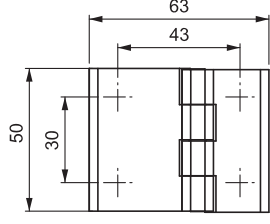
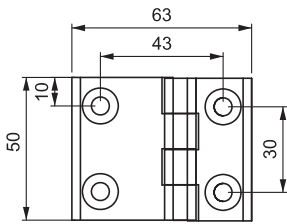
- RoHS
- 
- 



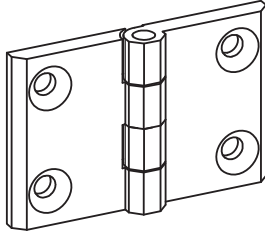
V : 7



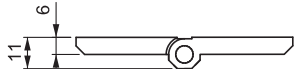
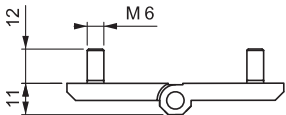
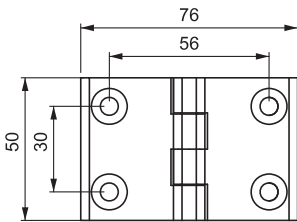
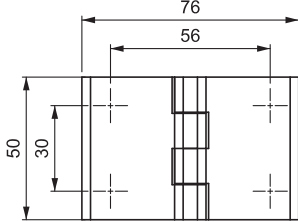
V : 8



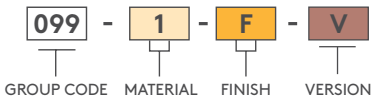
V : 9



V : 10



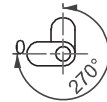
PRODUCT CODE



MATERIAL	M	FINISH	F
Zinc Alloy	1	Chrome	1
		Black coated	2

**MATERIAL**  
 BODY: Zinc Alloy DIN-EN 1774-ZnAl4Cu1  
 PIN: Stainless Steel

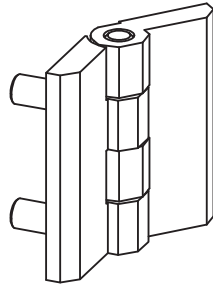
Hinge Rotation Angle



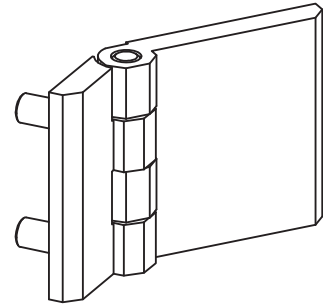
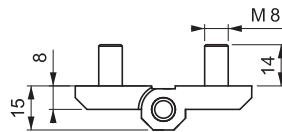
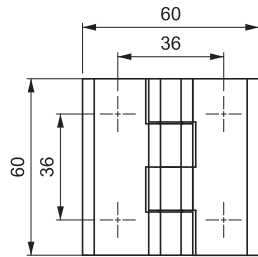
# FLAT HINGES

## LEAF HINGE

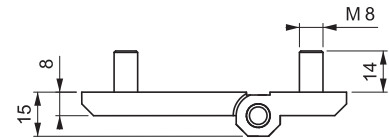
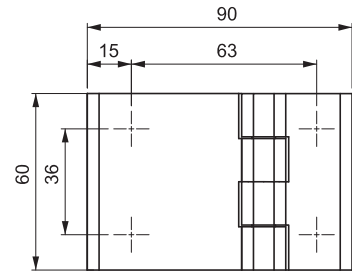
399



V : 1



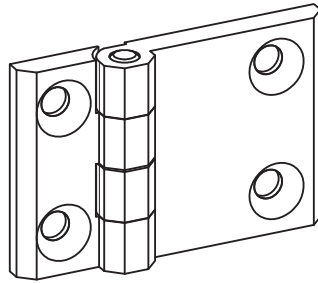
V : 2



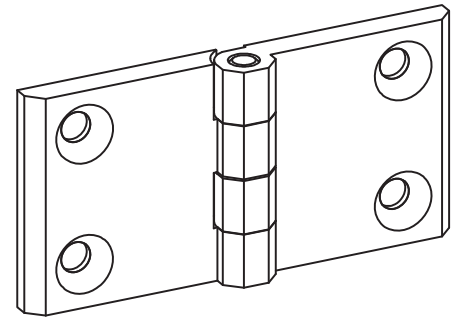
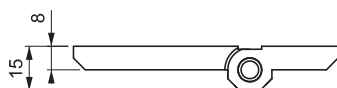
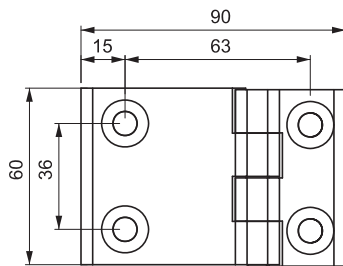
- Generally used for plain/flush-mounted, isolated heavy doors
- Stud versions fitted with M8 x 14 mm threaded stud
- Stainless steel (AISI 304) hinge pin
- Available in three sizes, hole or stud fixing:
  - 60 mm x 60 mm
  - 60 mm x 90 mm
  - 60 mm x 120 mm

### MATERIAL

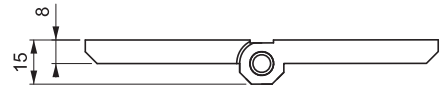
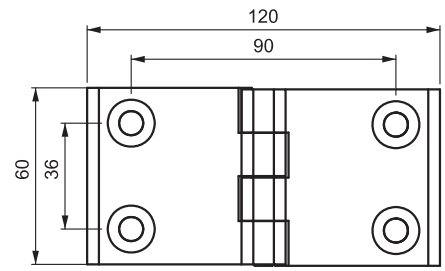
BODY: Zamak DIN-EN 1774-ZnAl4Cu1  
PIN: Stainless Steel



V : 5



V : 6



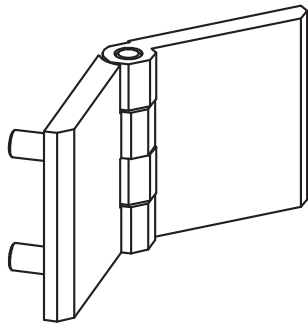
Hinge Rotation Angle



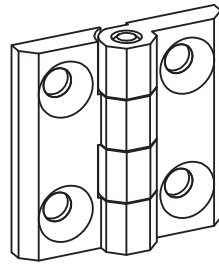


399

LEAF HINGE



V : 3



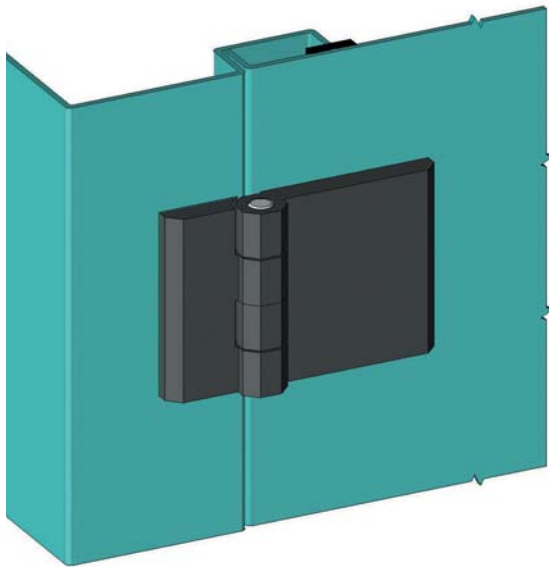
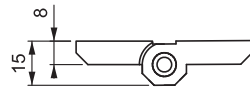
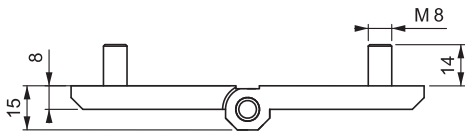
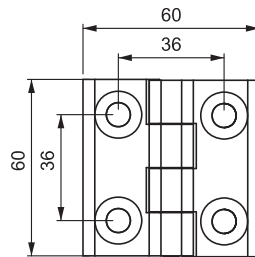
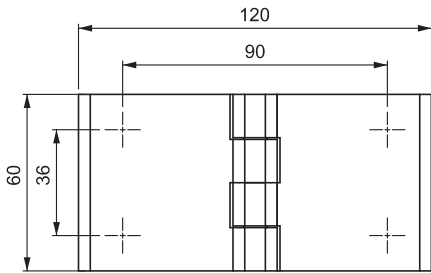
V : 4



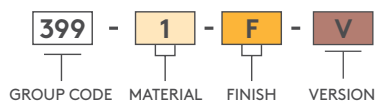
• Stainless Steel version page 505

**MATERIAL**

BODY: Zinc Alloy DIN-EN 1774-ZnAl4Cu1  
PIN: Stainless Steel



**PRODUCT CODE**



MATERIAL	M	FINISH	F
Zinc Alloy	1	Chrome	1
		Black coated	2

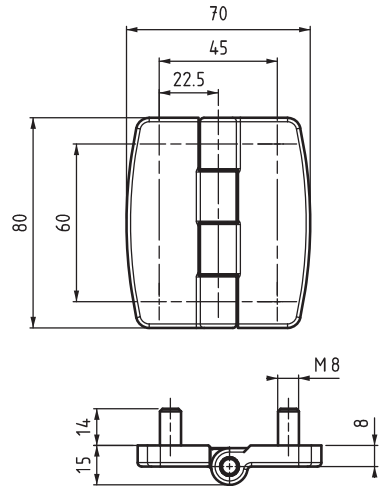
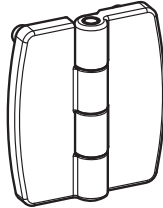
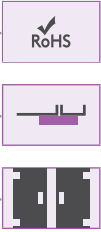
Hinge Rotation Angle



# FLAT HINGES

## LEAF HINGE

1399



V :1

- Generally used for plain/flush-mounted, isolated, heavy doors
- Stud versions fitted with M8 x 14 mm threaded stud
- Stainless steel (AISI 304) hinge pin.
- Available in three sizes, stud fixing:
  - 80 mm x 70 mm
  - 80 mm x 110 mm
  - 80 mm x 150 mm

### MATERIAL

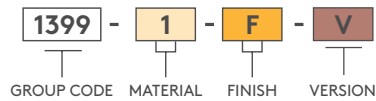
BODY: Zamak DIN-EN 1774-ZnAl4Cu1  
PIN: Stainless Steel



Hinge Rotation Angle



### PRODUCT CODE

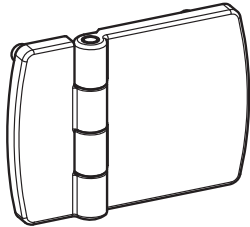


MATERIAL	M	FINISH	F
Zinc Alloy	1	Chrome	1
		Black coated	2

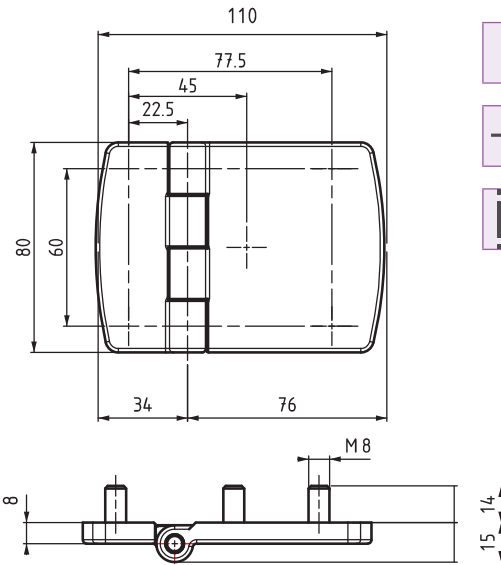


1399

LEAF HINGE



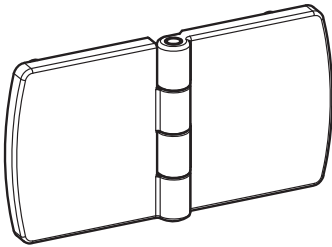
V : 2



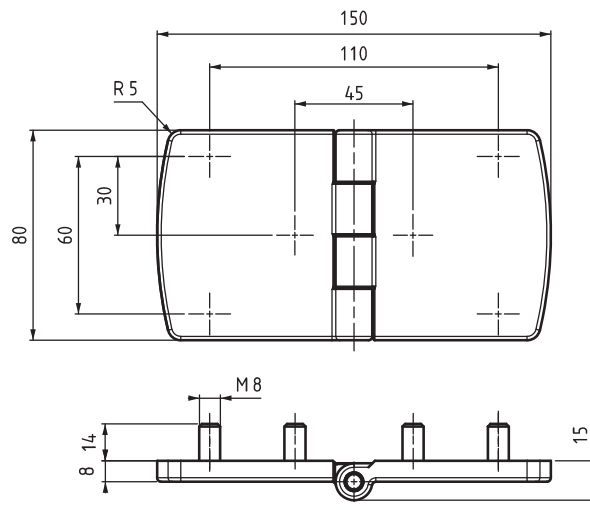
- Generally used for plain/flush-mounted, isolated, heavy doors
- Stud versions fitted with M8 x 14 mm threaded stud
- Stainless steel (AISI 304) hinge pin
- Available in three sizes, stud fixing:
  - 80 mm x 70 mm
  - 80 mm x 110 mm
  - 80 mm x 150 mm

**MATERIAL**

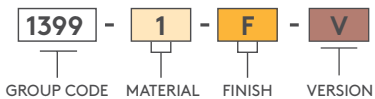
BODY: Zamak DIN-EN 1774-ZnAl4Cu1  
PIN: Stainless Steel



V : 3



**PRODUCT CODE**



MATERIAL	M	FINISH	F
Zinc Alloy	1	Chrome	1
		Black coated	2

Hinge Rotation Angle

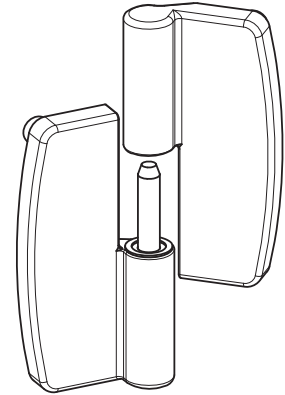
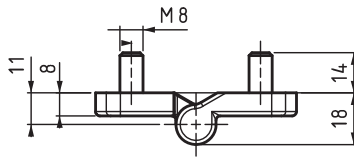
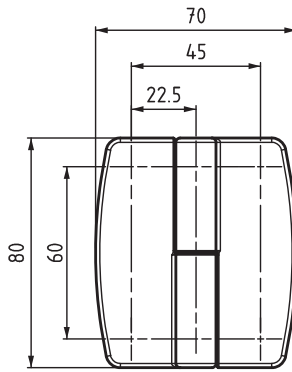
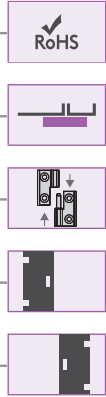




# FLAT HINGES

## LEAF HINGE

1699



- Concealed mounting-screws prevent external access to hinge
- Designed for plain/flush-mounted doors
- Suitable for left- and right-hand applications

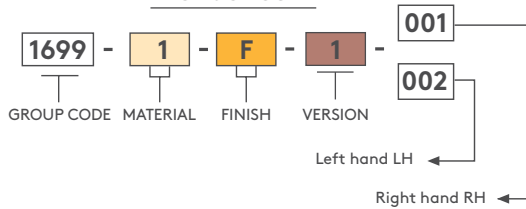
**MATERIAL**

BODY: Zinc Alloy DIN-EN 1774-ZnAl4Cu1  
 PIN: Stainless Steel



Hinge Rotation Angle  
 0° - 180°

**PRODUCT CODE**

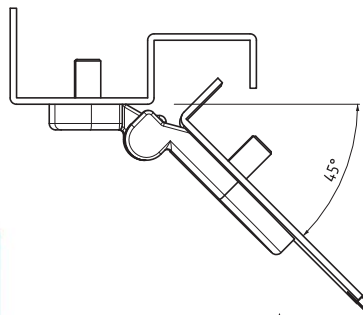
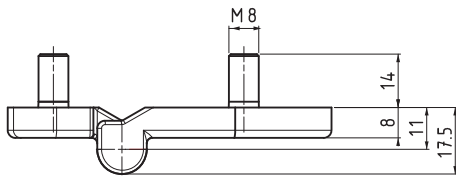
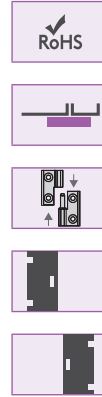
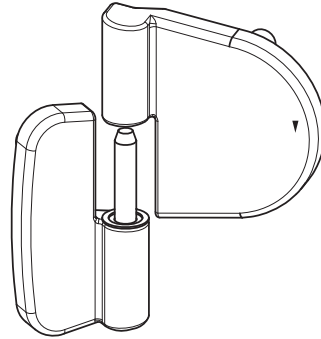
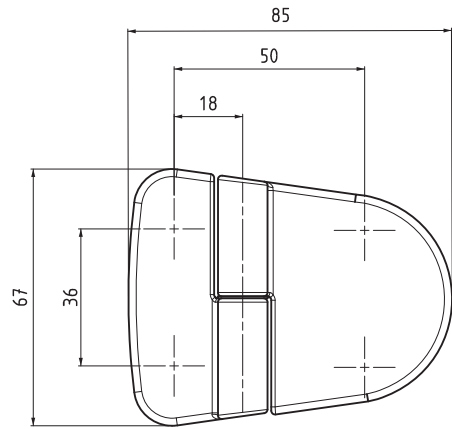


MATERIAL	M	FINISH	F
Zinc Alloy	1	Chrome	1
		Black coated	2

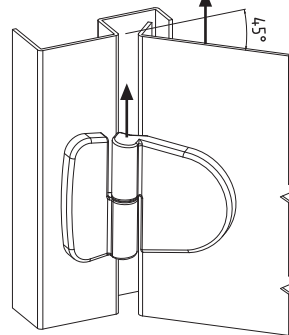
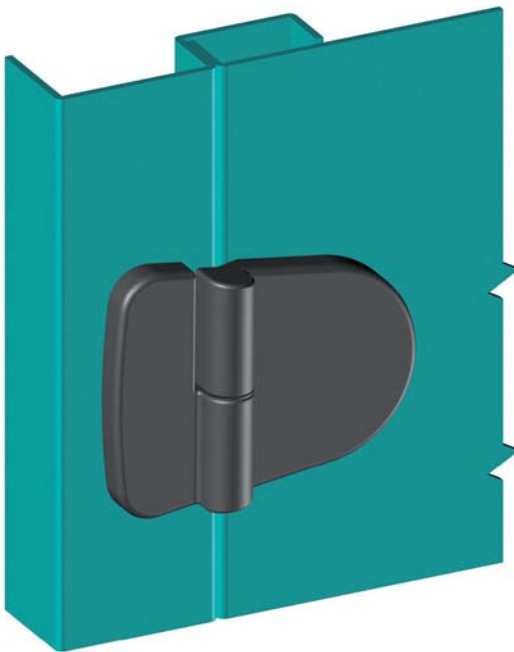


1499

LIFT-OFF HINGE



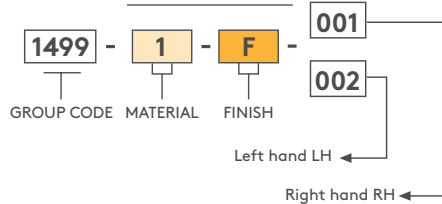
- Concealed mounting screws prevent external access to hinge
- Design for plain/flush-mounted doors
- Suitable for left- and right-hand applications



**MATERIAL**

BODY: Zinc Alloy DIN-EN 1774-ZnAl4Cu1  
PIN: Stainless Steel

**PRODUCT CODE**

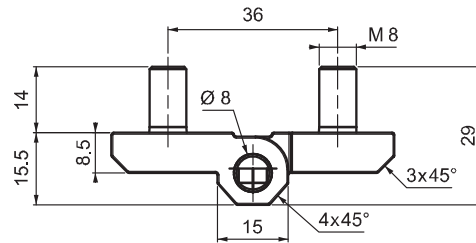
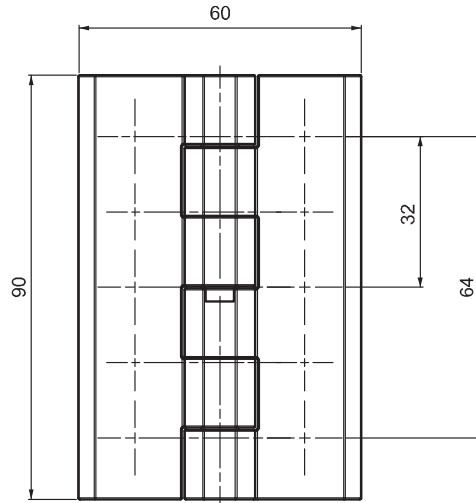
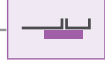


MATERIAL	M	FINISH	F
Zinc Alloy	1	Chrome	1
		Black coated	2

# FLAT HINGES

## LEAF HINGE

900



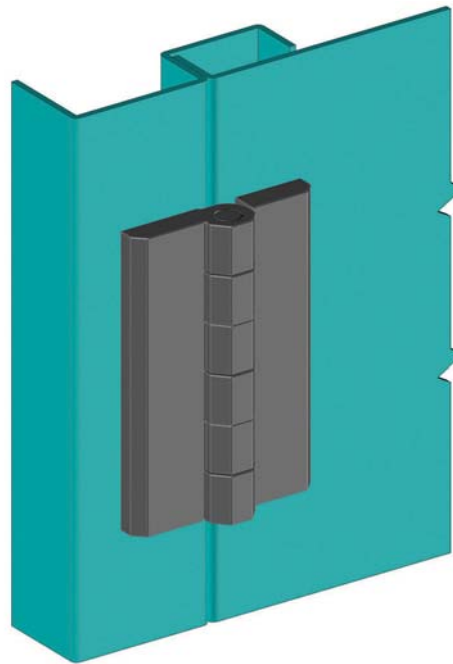
- Generally used for plain/flush-mounted doors and insulated panels
- Provides strong fixing by 6 pcs. M8 bolts
- Opening angle 270°

### MATERIAL

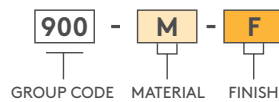
BODY: Zamak DIN-EN 1774-ZnAl4Cu1  
 PIN: Stainless Steel  
 SCREW: Steel

### FINISH

Chrome plated or black coated



### PRODUCT CODE

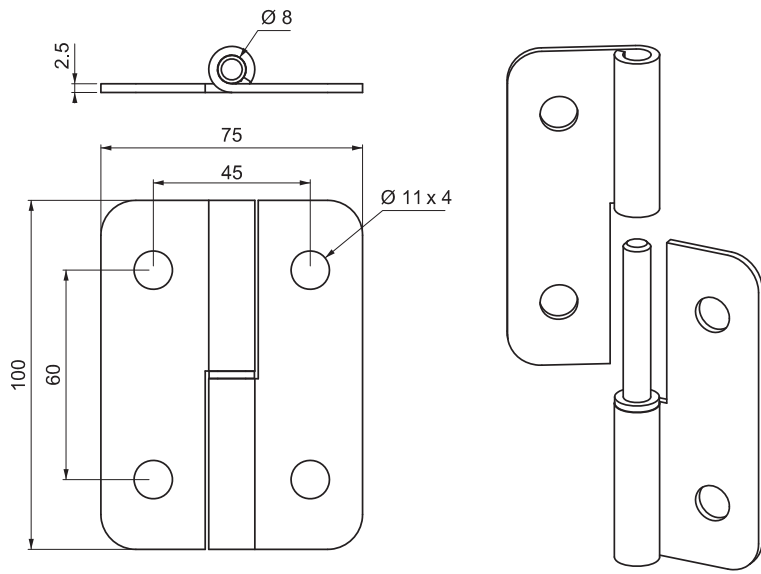


MATERIAL	M	FINISH	F
Zinc Alloy	1	Chrome	1
		Black coated	2



899

LEAF HINGE



- RoHS
- 
- 
- 
- 



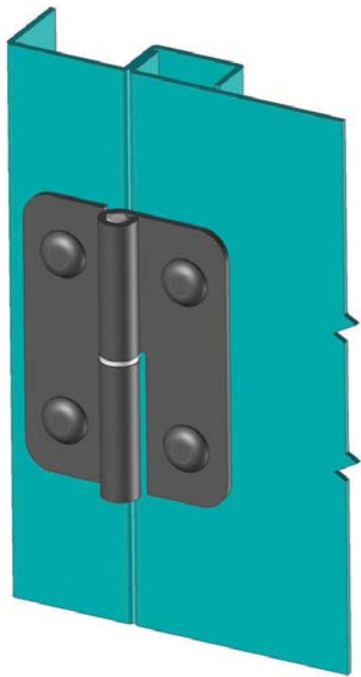
- Stainless steel version: page 512
- Heavy-duty lift off hinge
- Suitable for left- and right-hand applications
- Opening angle 180°

**MATERIAL**

BODY: Steel  
PIN: Steel

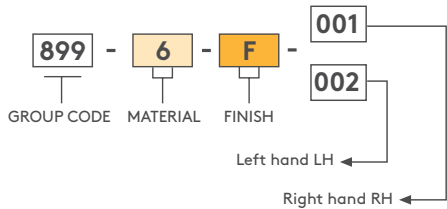
**FINISH**

Zinc plated or black coated



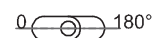
**Note:** Bolts are not supplied

**PRODUCT CODE**



MATERIAL		M	FINISH		F
Steel		6	Zinc plated	3	
			Black coated	2	

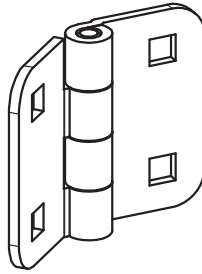
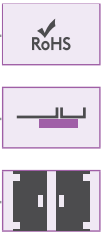
Hinge Rotation Angle



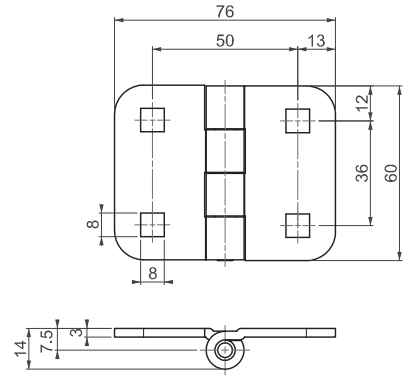
# FLAT HINGES

## LEAF HINGE

499



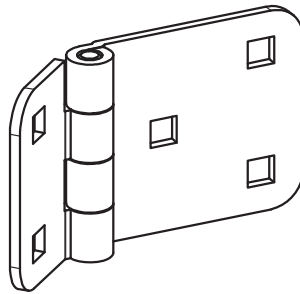
V : 1



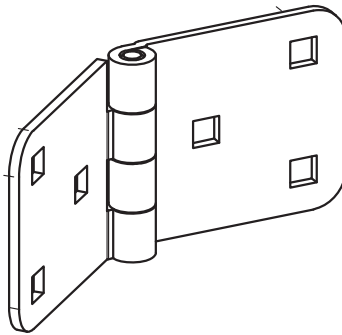
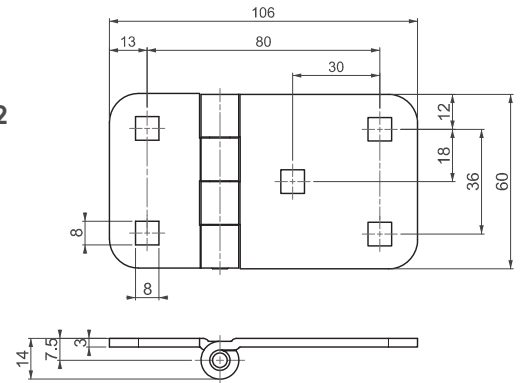
- Generally used for plain/flush-mounted, isolated, heavy doors
- Steel construction provides very high resistance
- M8 x 12 mm coach bolts supplied.

**MATERIAL**

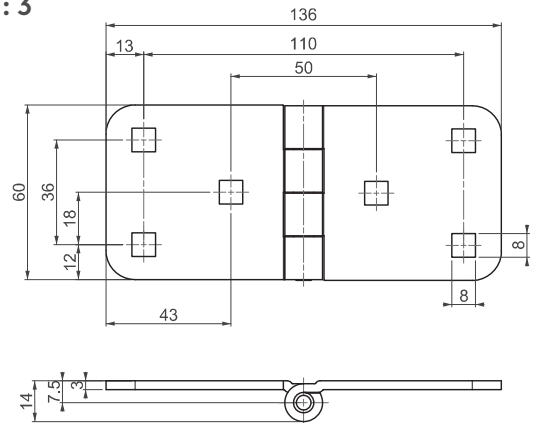
BODY: Steel  
PIN: Stainless Steel



V : 2



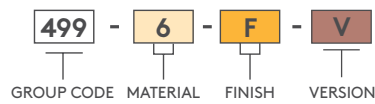
V : 3



Hinge Rotation Angle



**PRODUCT CODE**

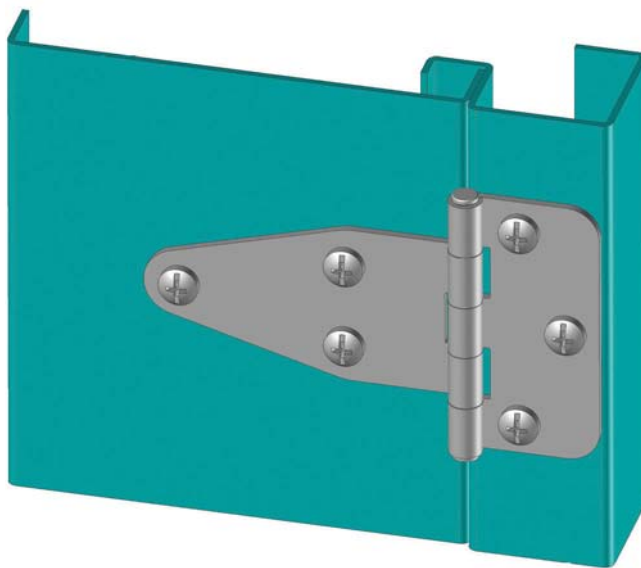
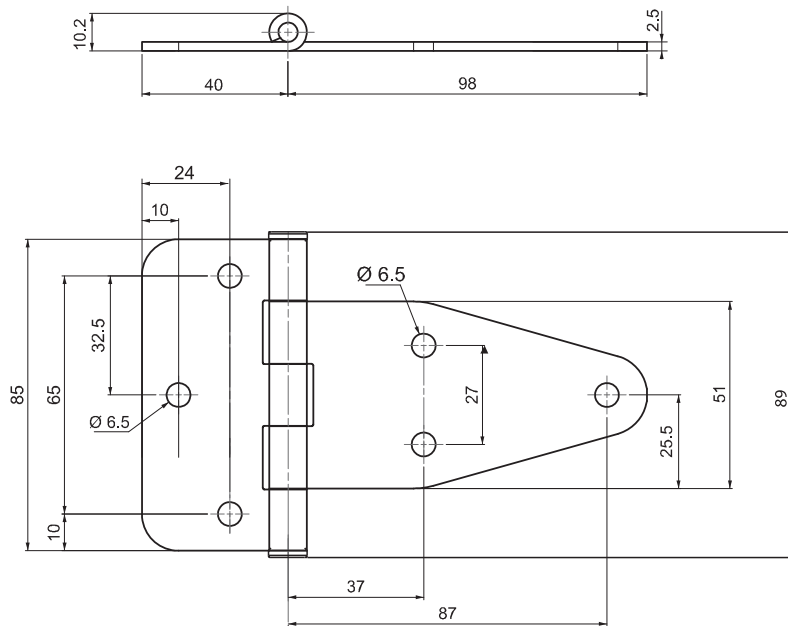


MATERIAL	M	FINISH	F
Steel	6	Zinc plated	3
		Black coated	2



599

LEAF HINGE

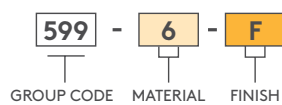


- Stainless steel version: page 508
- Generally used for plain/flush-mounted, isolated heavy doors
- Both parts attached by screws or nuts and bolts
- Hinge-rotation angle 180°

**MATERIAL**

BODY: Steel  
PIN: Stainless Steel

**PRODUCT CODE**



MATERIAL	M	FINISH	F
Steel	6	Zinc plated	3
		Black coated	2

Hinge Rotation Angle



**Note:** Bolts are not supplied

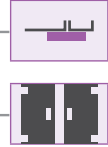
# FLAT HINGES

## LEAF HINGE

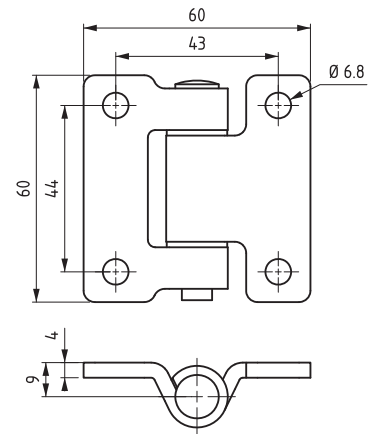
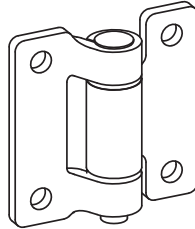
1599



RoHS



V :1



- Stainless steel version: page 510
- Generally, used for plain/flush mounted, isolated, heavy doors.
- Both parts are attached by screws or nuts and bolts
- Hinge Rotation angle is 180°

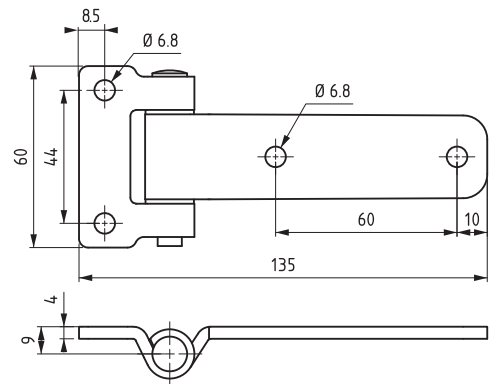
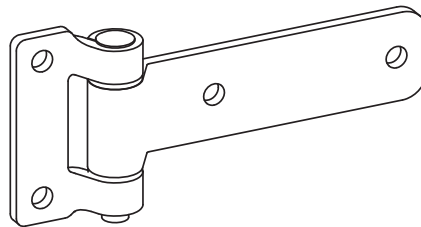
### MATERIAL

BODY: Steel  
PIN: Stainless steel

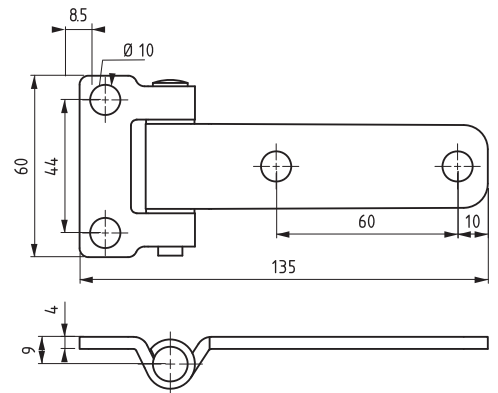
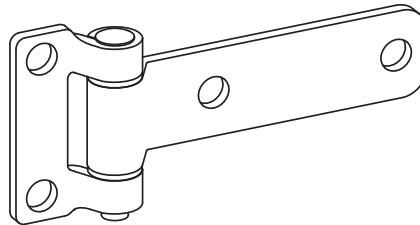
### FINISH

Zinc plated or black coated

V :2



V :3



Hinge Rotation Angle



**Note:** Bolts are not supplied

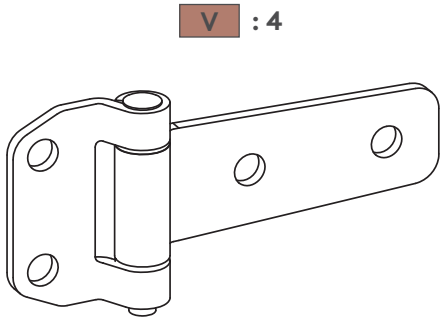
### PRODUCT CODE

1599 - 6 - F - V  
GROUP CODE MATERIAL FINISH VERSION

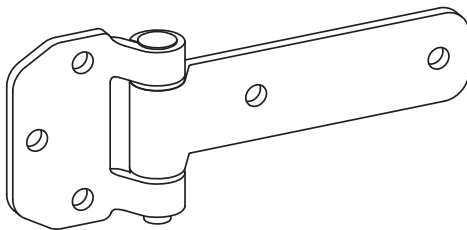
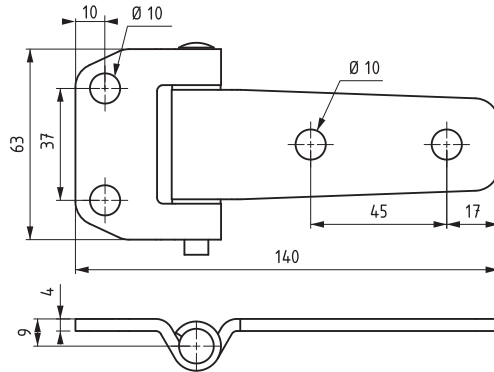
MATERIAL	M	FINISH	F
Steel	6	Zinc plated	3
		Black coated	2

1599

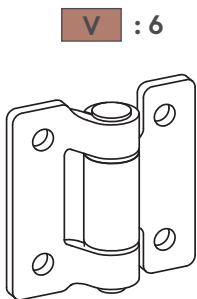
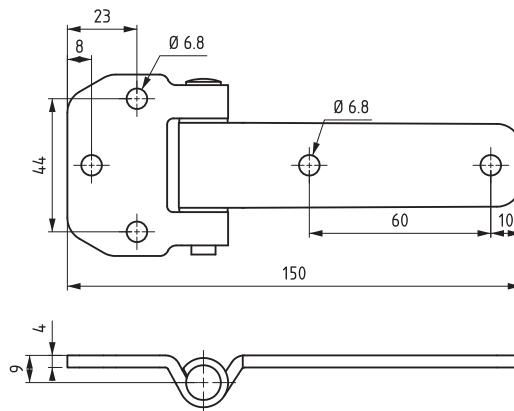
LEAF HINGE



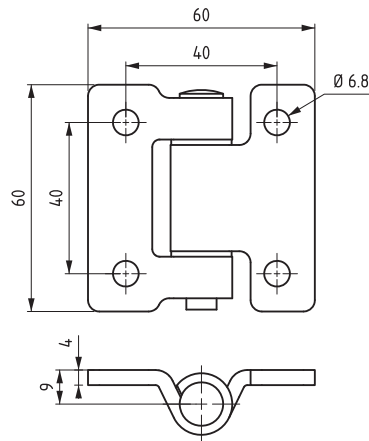
V : 4



V : 5



V : 6



- Stainless steel version: page 511
- Generally, used for plain/flush mounted, isolated, heavy doors.
- Both parts are attached by screws or nuts and bolts
- Hinge Rotation angle is 180°

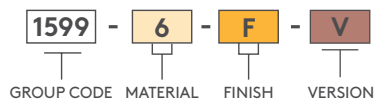
**MATERIAL**

BODY: Steel  
PIN: Stainless steel

**FINISH**

Zinc plated or black coated

**PRODUCT CODE**



MATERIAL	M	FINISH	F
Steel	6	Zinc plated	3
		Black coated	2

Hinge Rotation Angle



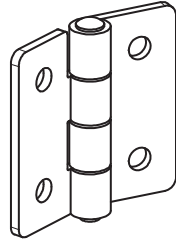
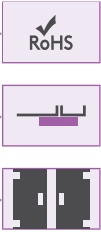
**Note:** Bolts are not supplied



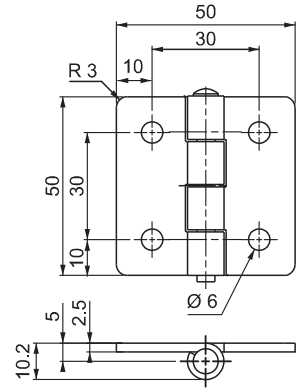
# FLAT HINGES

## LEAF HINGE

799



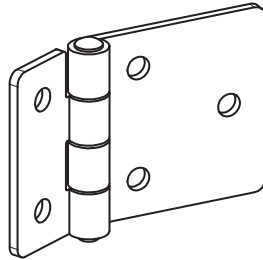
V : 1



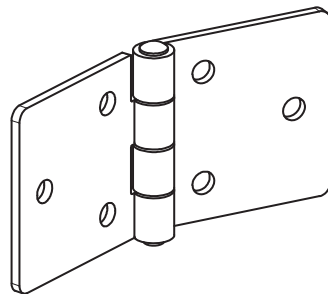
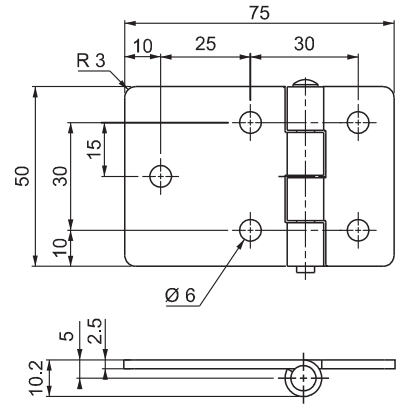
- Stainless steel version: page 509
- Generally used for plain/flush-mounted, isolated, heavy doors

### MATERIAL

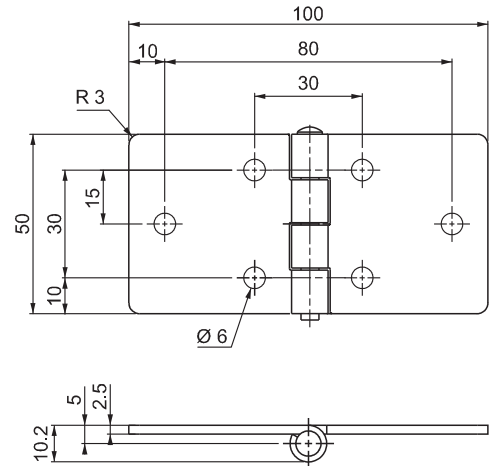
BODY: Steel  
PIN: Stainless Steel



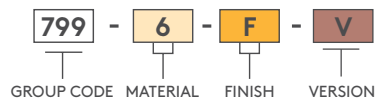
V : 2



V : 3



### PRODUCT CODE



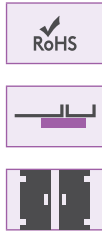
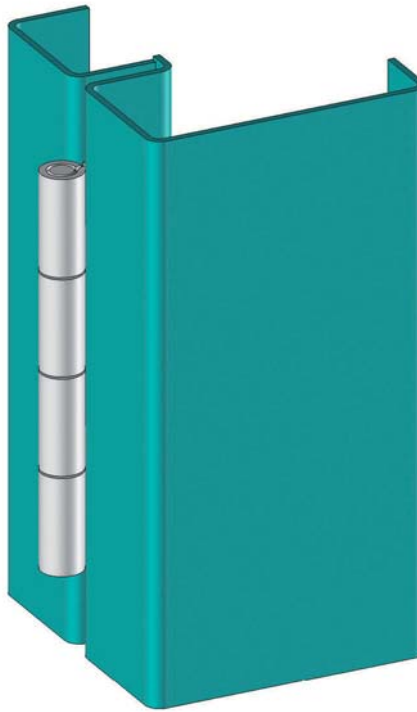
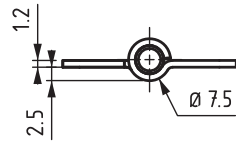
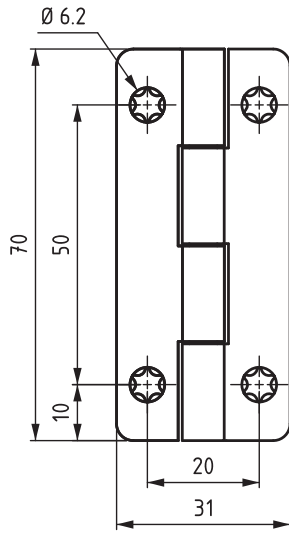
Hinge Rotation Angle



MATERIAL	M	FINISH	F
Steel	6	Zinc plated	3
		Black coated	2

2899

LEAF HINGE



**MATERIAL**

BODY: Steel

PIN: Stainless Steel

**PRODUCT CODE**

2899 - 6 - 3

GROUP CODE MATERIAL FINISH

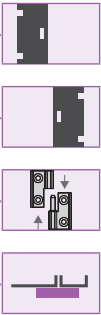
Hinge Rotation Angle



# FLAT HINGES

## LIFT-OFF HINGE

4299



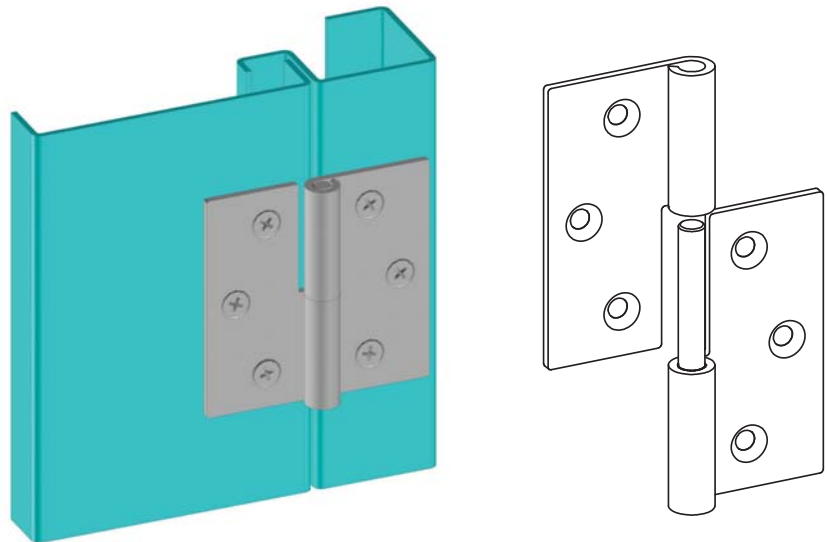
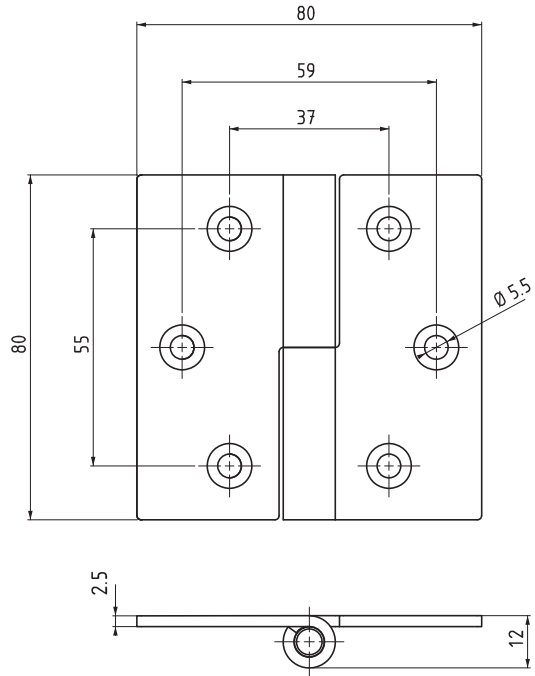
- Stainless steel version: page 501
- Designed for plain/flush-mounted doors
- Suitable for left- and right-hand applications

**MATERIAL**

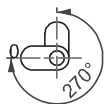
BODY: Steel  
PIN: Stainless Steel

**FINISH**

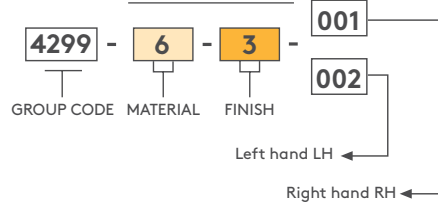
Zinc plated



Hinge Rotation Angle



**PRODUCT CODE**





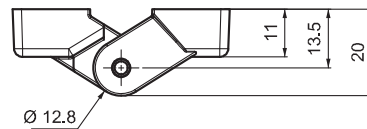
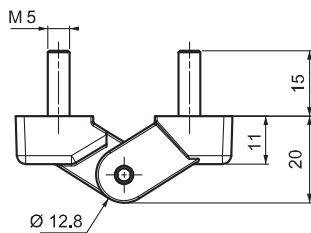
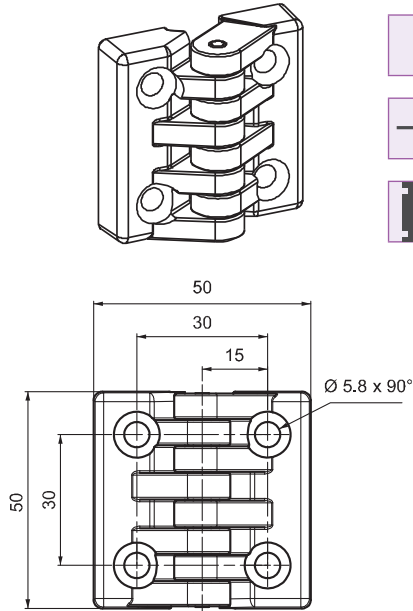
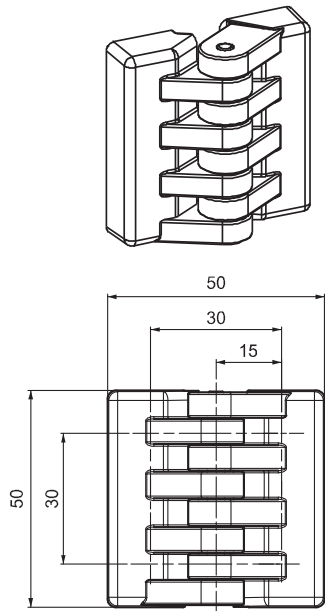
V :1

V :2

1199

INDEX HINGE

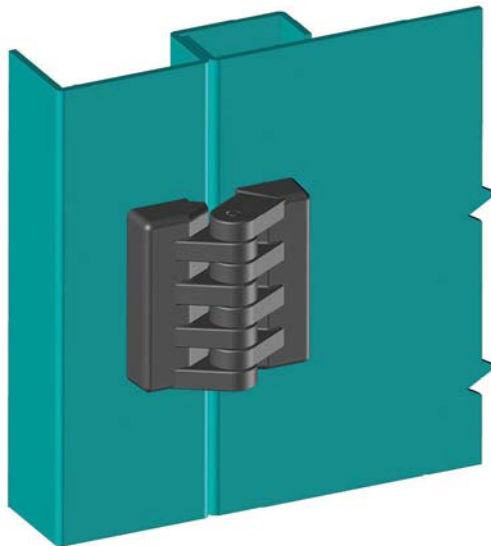
- RoHS
- 
- 



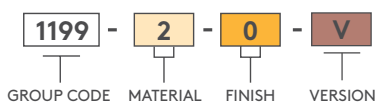
- Generally used for plain/flush-mounted doors
- With- or without-bolt options are available
- Stainless steel pin

MATERIAL

BODY: Polyamide DIN-EN ISO 1043-1 PA 6 GFR 30  
 PIN: Stainless Steel  
 V



PRODUCT CODE



<b>MATERIAL</b>	<b>M</b>	<b>FINISH</b>	<b>F</b>
Plastic	2	No finish	0

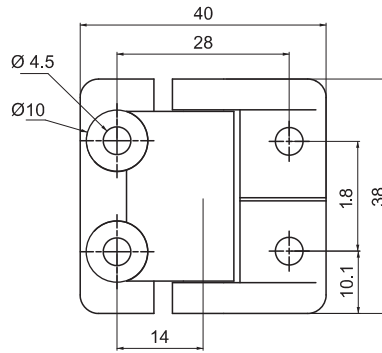
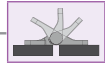
Hinge Rotation Angle



# FLAT HINGES

## TORQUE HINGE

2099



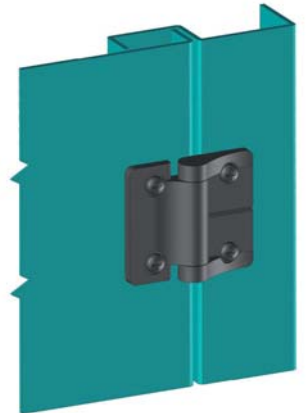
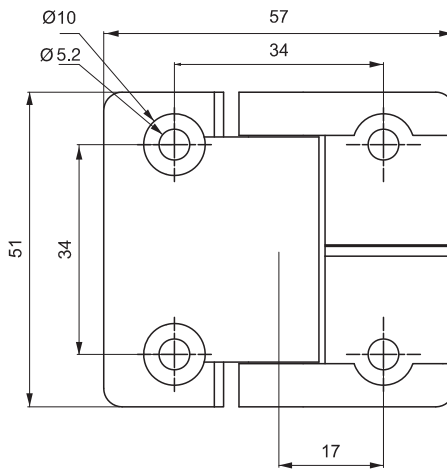
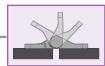
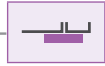
- 2.3 Nm symmetric torque
- Over 25,000 cycle life within  $\pm 20\%$  of static torque specification
- Suitable for left- and right-hand application
- M5 screw mounting

### MATERIAL

BODY: Zinc Alloy DIN-EN 1774-ZnAl4Cu1  
PIN: Steel

## TORQUE HINGE

2199

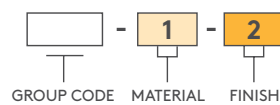


- 3.4 Nm symmetric torque
- Over 25,000 cycle life within  $\pm 20\%$  of static torque specification
- Suitable left- and right-hand applications
- M5 screw mounting

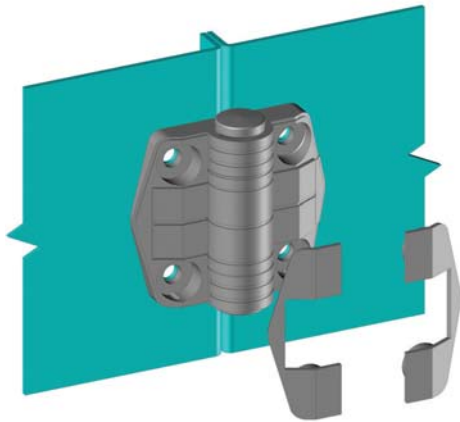
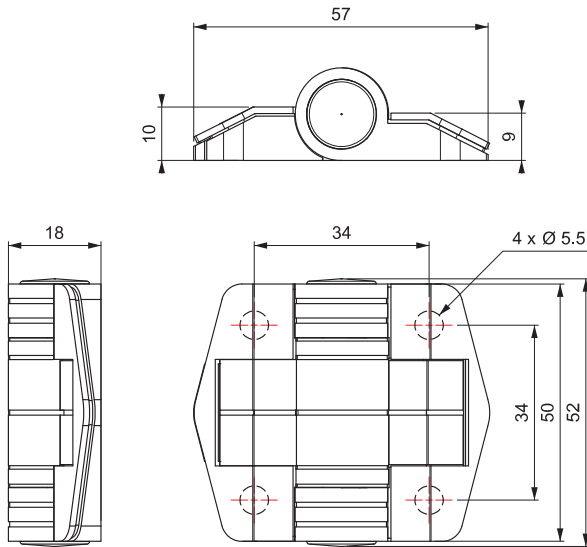
Hinge Rotation Angle



### PRODUCT CODE



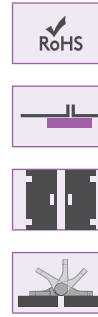
MATERIAL	M	FINISH	F
Zinc Alloy	1	Black coated	2



Position	Force (N-m)	Version
	No Detens	10
80°	0.7	21
	1.1	22
	1.7	23
115°	0.7	31
	1.1	32
	1.7	33
150°	0.7	41
	1.1	42
	1.7	43

2599

INDEX HINGE

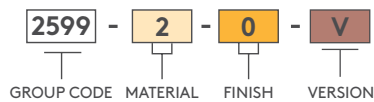


- Different angle and torque is available
- Holds door open at specific degrees. 80°, 115°, 150°

**MATERIAL**

BODY: Polyamide DIN-EN ISO 1043-1 PA6 GFR 30  
 PIN: Plastic

**PRODUCT CODE**

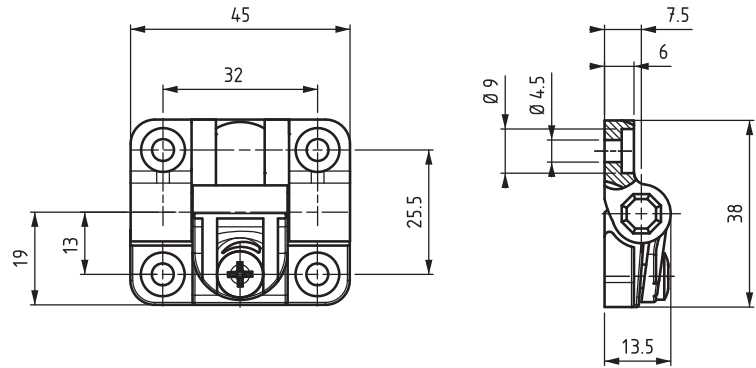
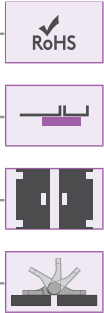


MATERIAL	M	FINISH	F
Plastic	2	No finish	0

# FLAT HINGES

## ADJUSTABLE TORQUE HINGE

2399



- Hinge torque can be adjusted with screw
- Provide position control
- Suitable for left- and right-hand applications
- Fixed with M4 screw

### MATERIAL

BODY: Polyamide DIN-EN ISO 1043-1 PA6 GFR 30

SCREWS AND NUTS: Stainless Steel (AISI 304)

### PERFORMANCE DETAILS

**Axial load: (N)**

Working load: 700

Breaking load weight: 1100

**Radial load: (N)**

Working load: 1400

Breaking load weight: 1800

**Torque value: 0.8 N.m.**

**Working temperature:**

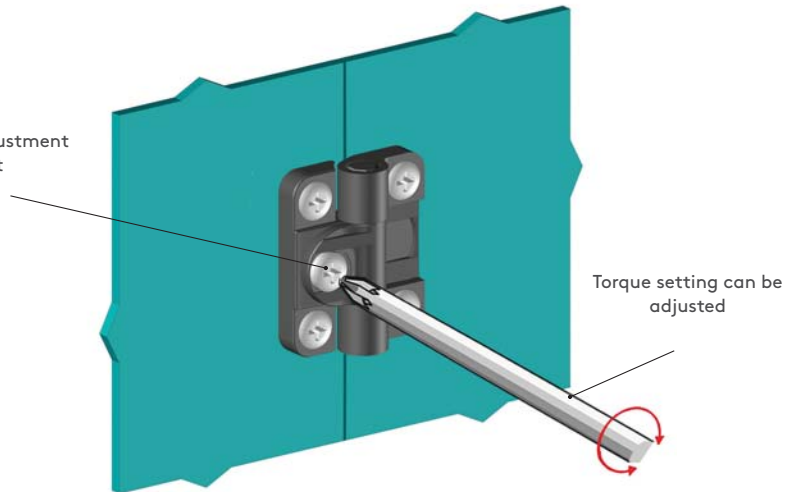
- 5°C + 65°C

**Fasteners:**

(Bolts and nuts are not supplied)

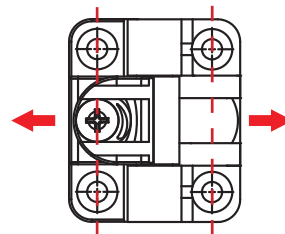
Screw and nut: M4

Torque adjustment bolt

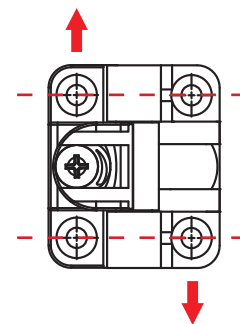


Torque setting can be adjusted

Axial load (N)



Radial load (N)

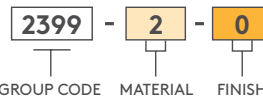


Hinge Rotation Angle



**⚠ Note:** Bolts and nuts are not supplied

### PRODUCT CODE





2499

ADJUSTABLE TORQUE HINGE



- Hinge torque can be adjusted by screw
- Provides position control
- Suitable for left- and right-hand applications
- Fixed by M6 screw

**MATERIAL**

BODY: Polyamide DIN-EN ISO 1043-1 PA6 GFR 30

SCREWS AND NUTS: Stainless Steel (AISI 304)

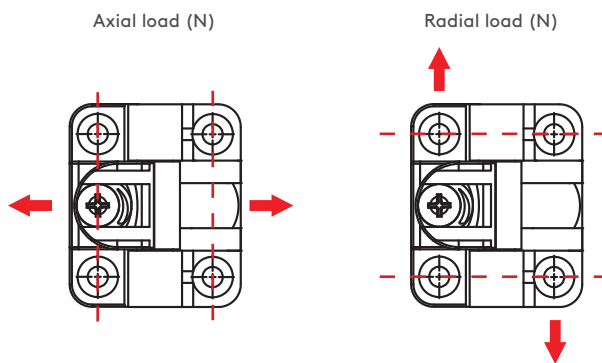
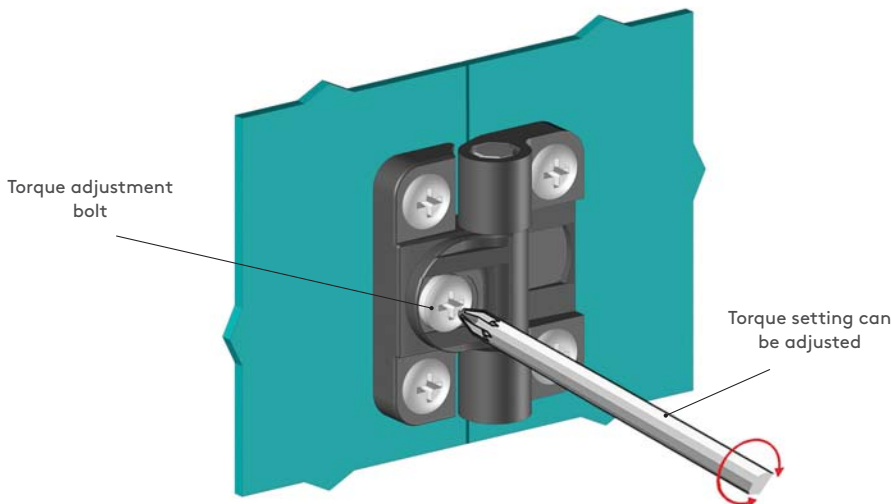
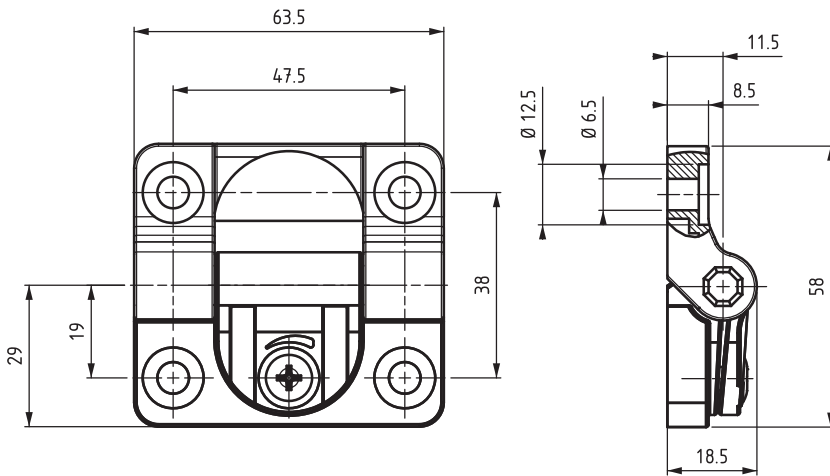
**PERFORMANCE DETAILS**

**Axial load: (N)**  
Working load: 1500  
Breaking load weight: 2350

**Radial load: (N)**  
Working load: 2250  
Breaking load weight: 3200

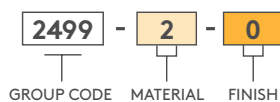
**Torque value: 4 Nm**  
Working temperature: - 5°C + 65°C

**Fasteners:**  
(Bolts and nut are not supplied)  
Screw and nut: M6



Hinge Rotation Angle  
0° - 180°

PRODUCT CODE

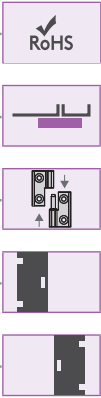




# FLAT HINGES

## LIFT-OFF HINGE

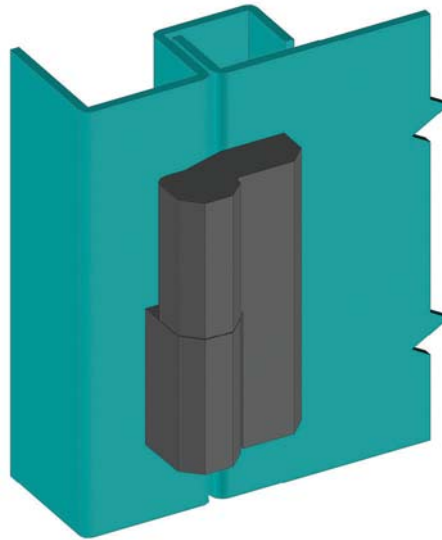
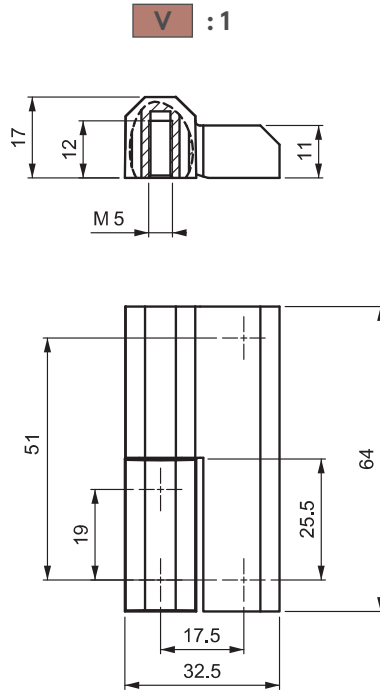
699



- Concealed mounting screws prevent external access to hinge
- Designed for plain/flush-mounted doors
- Suitable for left- and right-hand applications

### MATERIAL

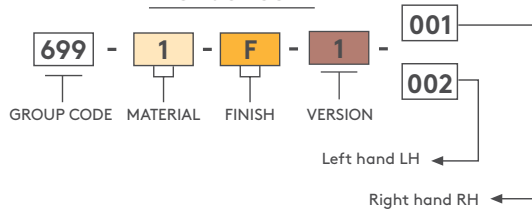
BODY: Zamak DIN-EN 1774-ZnAl4Cu1  
 PIN: Stainless Steel



Hinge Rotation Angle



### PRODUCT CODE

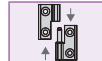


MATERIAL	M	FINISH	F
Zinc Alloy	1	Chrome plated	1
		Black coated	2



699

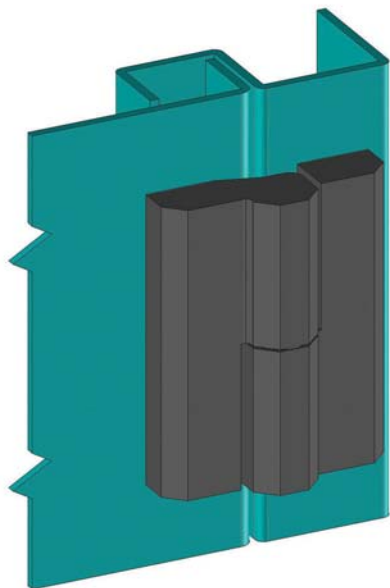
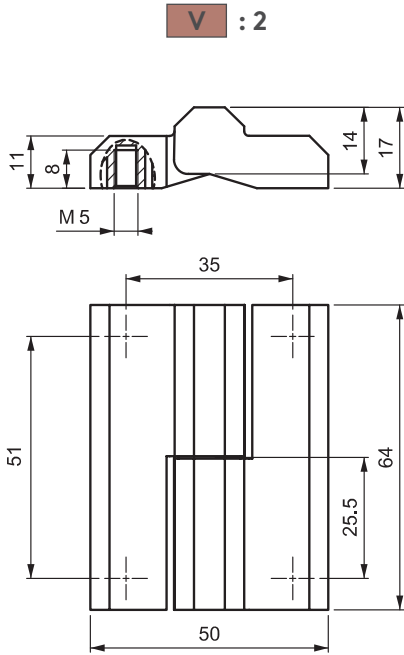
LIFT-OFF HINGE



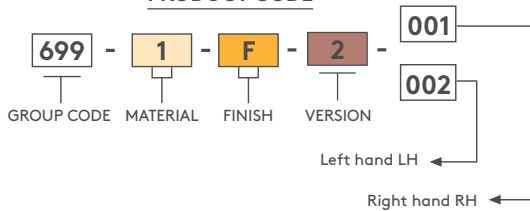
- Concealed mounting screws prevent external access to hinge
- Designed for plain/flush-mounted doors
- Suitable for left- and right-hand applications

MATERIAL

BODY: Zinc Alloy DIN-EN 1774-ZnAl4Cu1  
 PIN: Stainless Steel



PRODUCT CODE



Hinge Rotation Angle

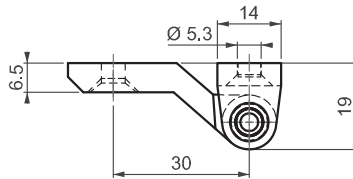
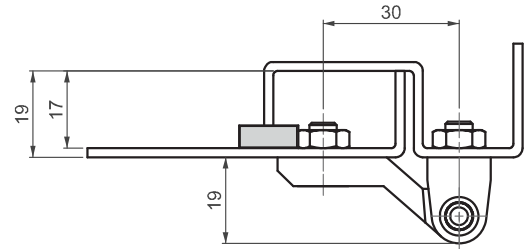
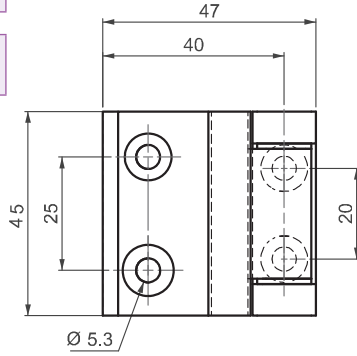
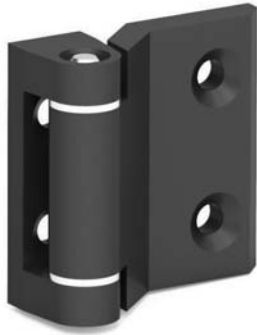


MATERIAL	M	FINISH	F
Zinc Alloy	1	Chrome plated	1
		Black coated	2

# FLAT HINGES

## HINGE WITH BEARING

100



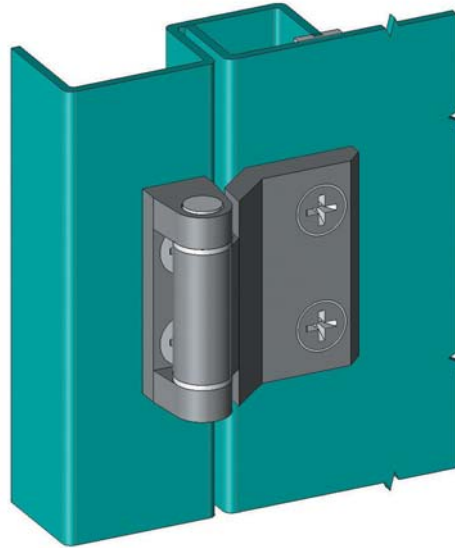
**MATERIAL**

BODY: Zinc Alloy DIN-EN 1774-ZnAl4Cu1

PIN: Steel  
BEARING: Delrin

**FINISH**

Chrome  
Black coated

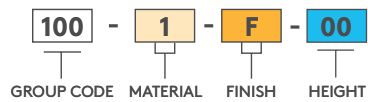


Hinge Rotation Angle



**Note:** Bolts are not supplied

**PRODUCT CODE**

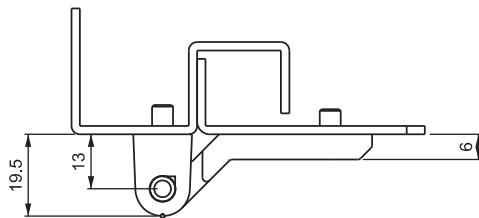
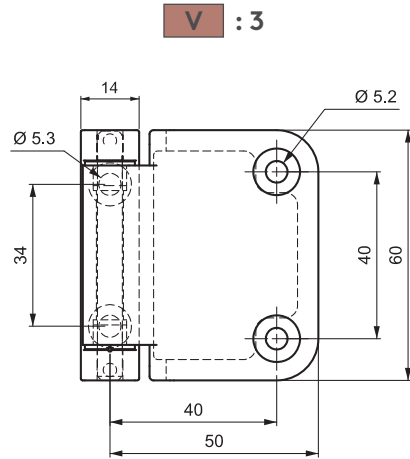
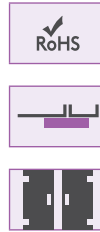


MATERIAL	M	FINISH	F
Zinc Alloy	1	Chrome	1
		Black coated	2



600

HVAC HINGE



- Stainless steel version: page 462
- Designed for plain/flush-mounted doors
- Pin and plastic guides supplied separately
- Can be used for offset doors  
Please see Corner Hinges section

**MATERIAL**

BODY: Zamak DIN-EN 1774-ZnAl4Cu1  
PIN: Steel  
BEARING: Delrin

**FINISH**

Black coated

**PRODUCT CODE**

600 - 1 - 2 - 00 - 3

GROUP CODE MATERIAL FINISH HEIGHT VERSION

MATERIAL	M	FINISH	F
Zinc Alloy	1	Black coated	2

Hinge Rotation Angle



**Note:** Bolts are not supplied

# FLAT HINGES

## HVAC HINGE (2D)

600



2D

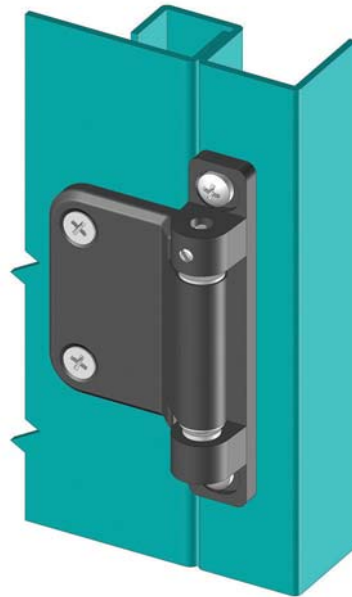
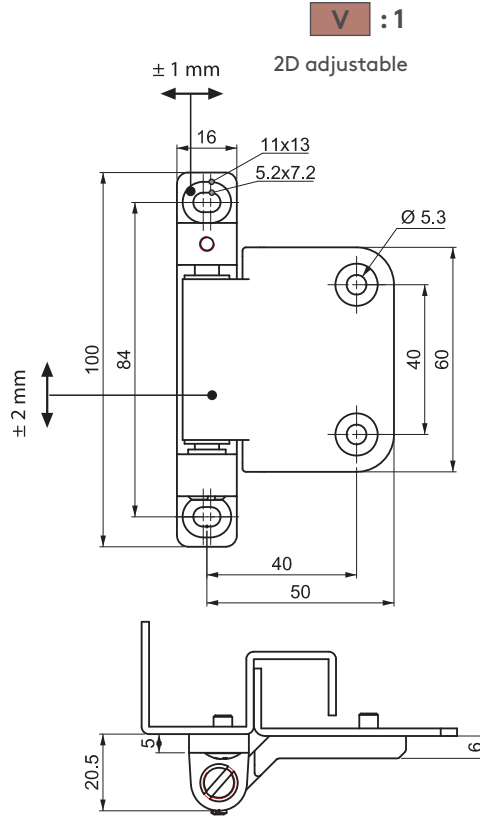
- Designed for plain/flush-mounted doors
- Hinge supplied pre-assembled to decrease labour costs
- Two-dimensional door adjustment possible
- Axial adjustment is  $\pm 2$  mm. Radial adjustment is  $\pm 1$  mm.
- Also can be used for offset doors  
Please see Corner Hinges section

### MATERIAL

BODY: Zamak DIN-EN 1774-ZnAl4Cu1  
PIN: Steel  
BEARING: Delrin

### FINISH

Black coated

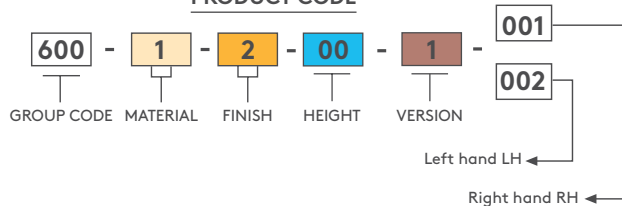


Hinge Rotation Angle



**⚠ Note:** Bolts are not supplied

### PRODUCT CODE

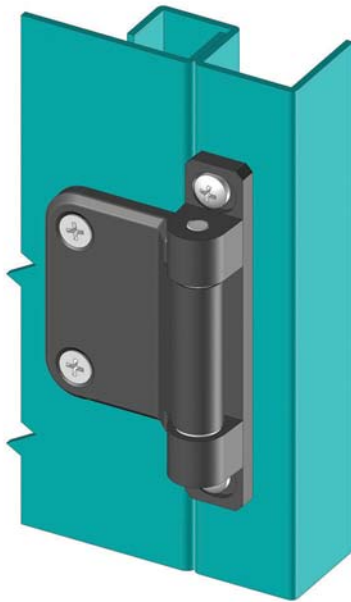
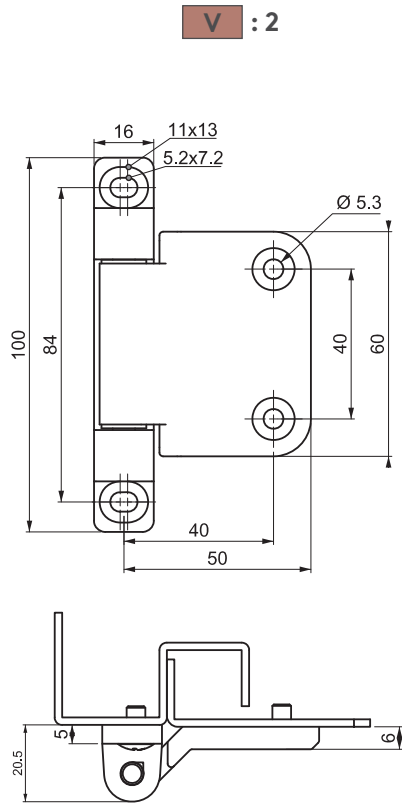
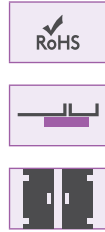


MATERIAL	M	FINISH	F
Zinc Alloy	1	Black coated	2



600

LEAF HINGE



- Designed for plain/flush-mounted doors
- Hinge supplied pre-assembled to decrease labour costs
- Can be used for offset doors  
Please see Corner Hinges section

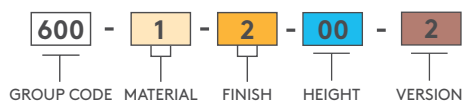
**MATERIAL**

BODY: Zamak DIN-EN 1774-ZnAl4Cu1  
 PIN: Steel  
 BEARING: Delrin

**FINISH**

Black coated

**PRODUCT CODE**



<b>MATERIAL</b>	<b>M</b>	<b>FINISH</b>	<b>F</b>
Zinc Alloy	1	Black coated	2

Hinge Rotation Angle



**Note:** Bolts are not supplied

# FLAT HINGES

## HVAC HINGE (2D)

700



RoHS



2D

- Designed for plain/flush-mounted doors
- Hinge supplied pre-assembled to decrease labour costs
- Two-dimensional door adjustment possible
- Axial adjustment is  $\pm 2$  mm. Radial adjustment is  $\pm 1$  mm.
- Can be used for offset doors  
Please see Corner Hinges section

### MATERIAL

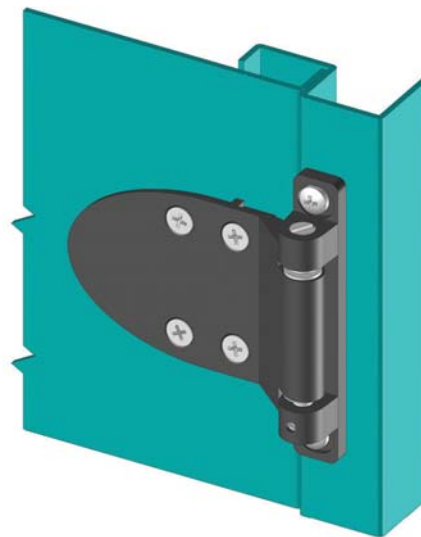
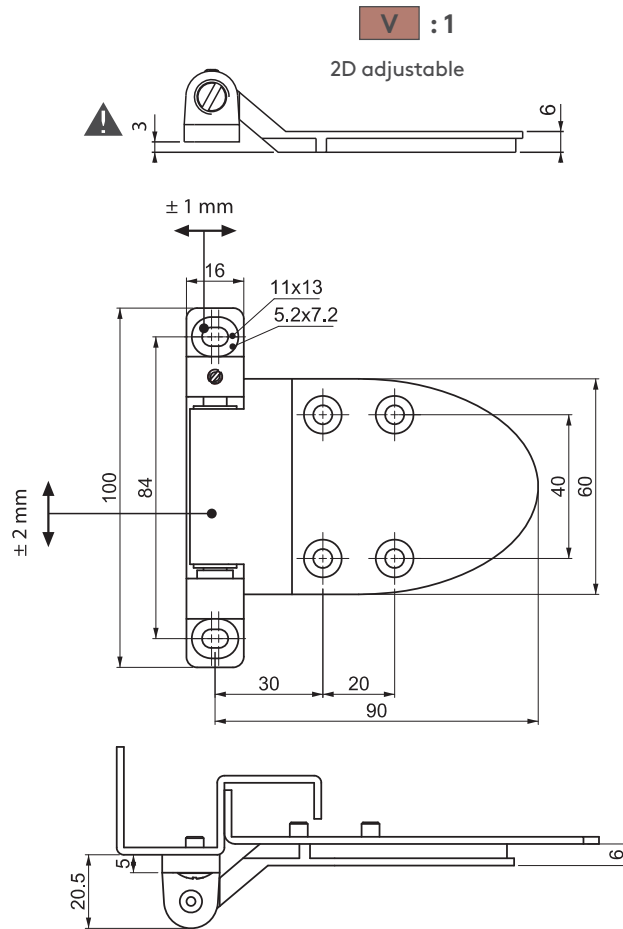
BODY: Zamak DIN-EN 1774-ZnAl4Cu1

PIN: Steel

BEARING: Delrin

### FINISH

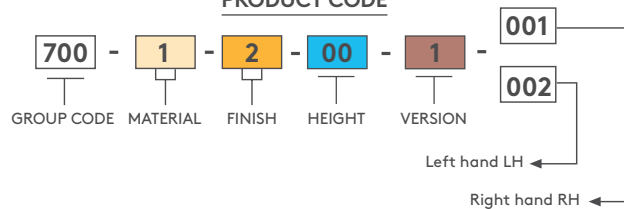
Black coated



Hinge Rotation Angle



### PRODUCT CODE

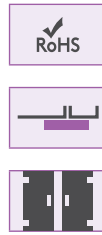


MATERIAL	M	FINISH	F
Zinc Alloy	1	Black coated	2



700

HVAC HINGE



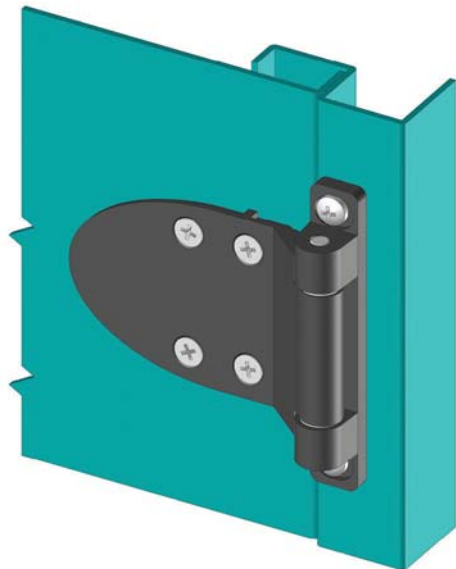
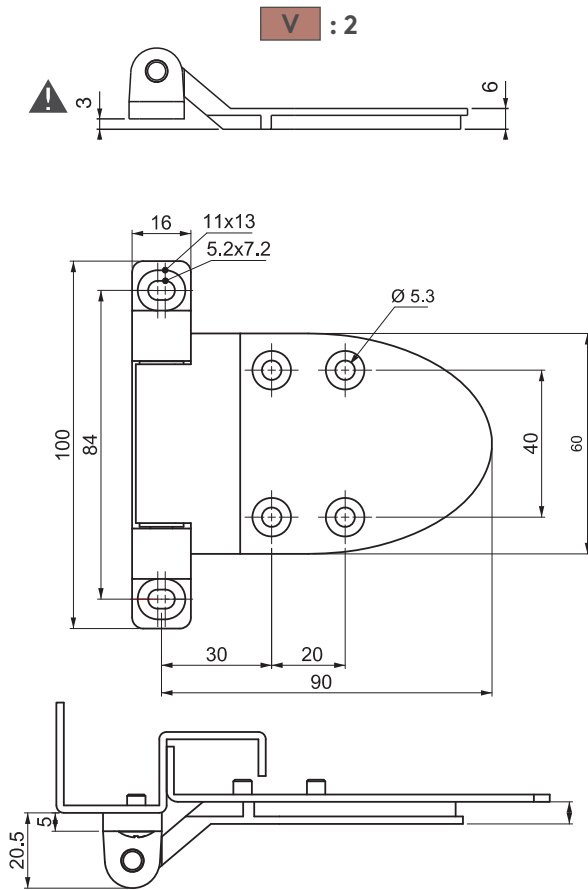
- Design for plain/flush-mounted doors
- For side-mounted doors with a bend of 2-12 mm
- Hinge supplied pre-assembled to decrease labour costs
- Can be used for offset doors  
Please see Corner Hinges section

**MATERIAL**

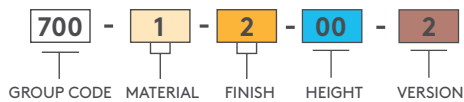
BODY: Zamak DIN-EN 1774-ZnAl4Cu1  
 PIN: Steel  
 BEARING: Delrin

**FINISH**

Black coated



**PRODUCT CODE**



MATERIAL	M	FINISH	F
Zinc Alloy	1	Black coated	2

Hinge Rotation Angle

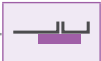




# FLAT HINGES

## HVAC HINGE (3D)

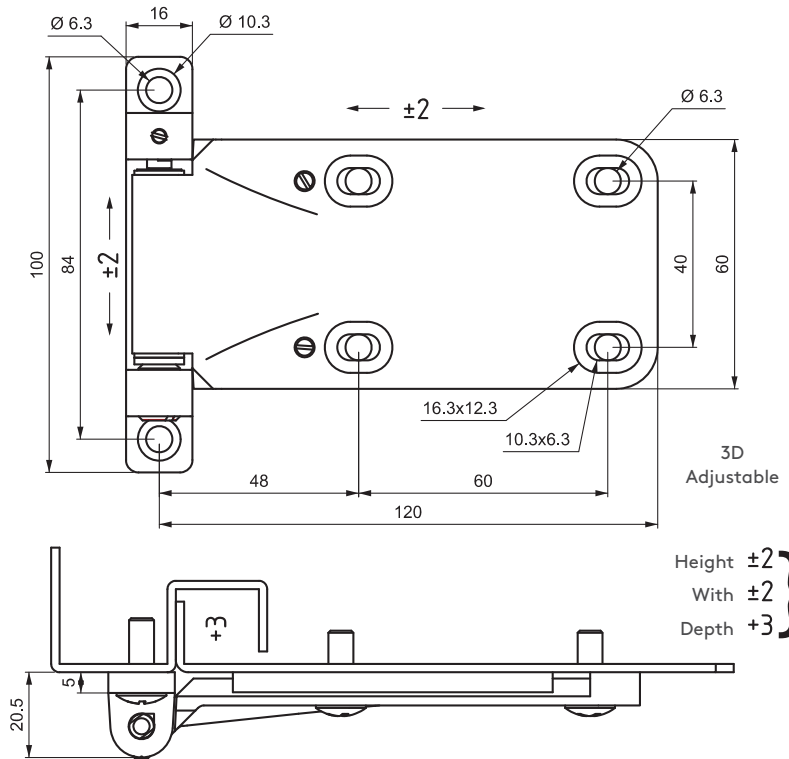
**800**



- Suitable for three-dimensional door adjustment
- Can be used for flush doors

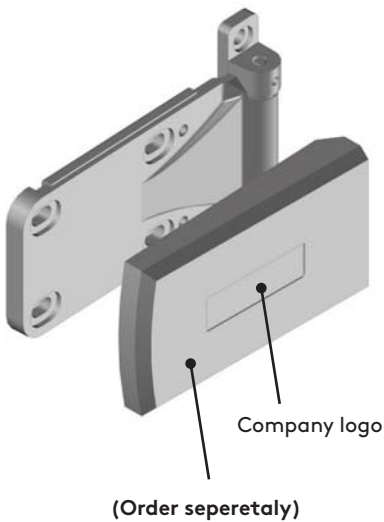
**MATERIAL**  
 BODY: Zinc Alloy DIN-EN 1774-ZnAl4Cu1  
 PIN: Steel  
 BEARING: Delrin

**FINISH**  
 Black coated

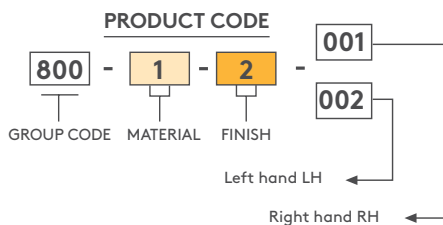
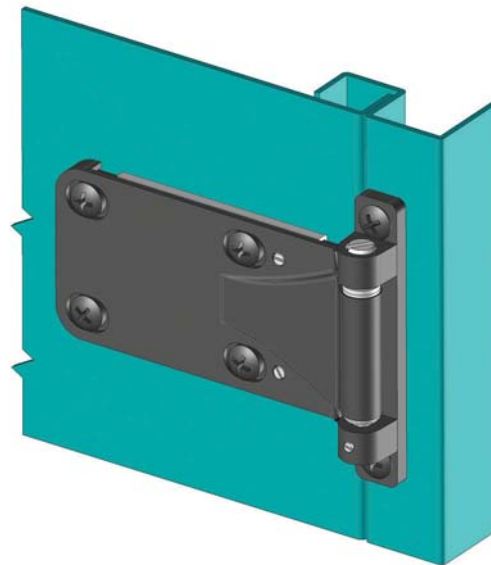


## HINGE COVER

**320.02.017**



**MATERIAL**  
 Polyamide  
 DIN-EN ISO1043-1 PA6 GFR 30



MATERIAL	M	FINISH	F
Zinc Alloy	1	Black coated	2

500

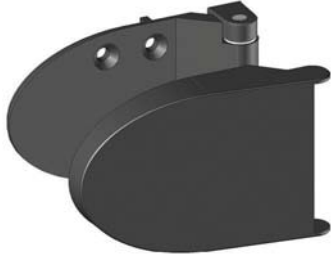
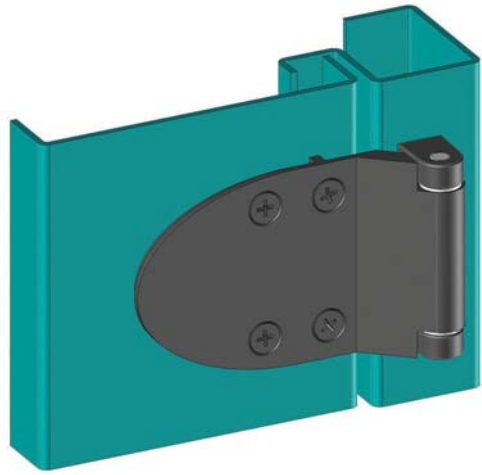
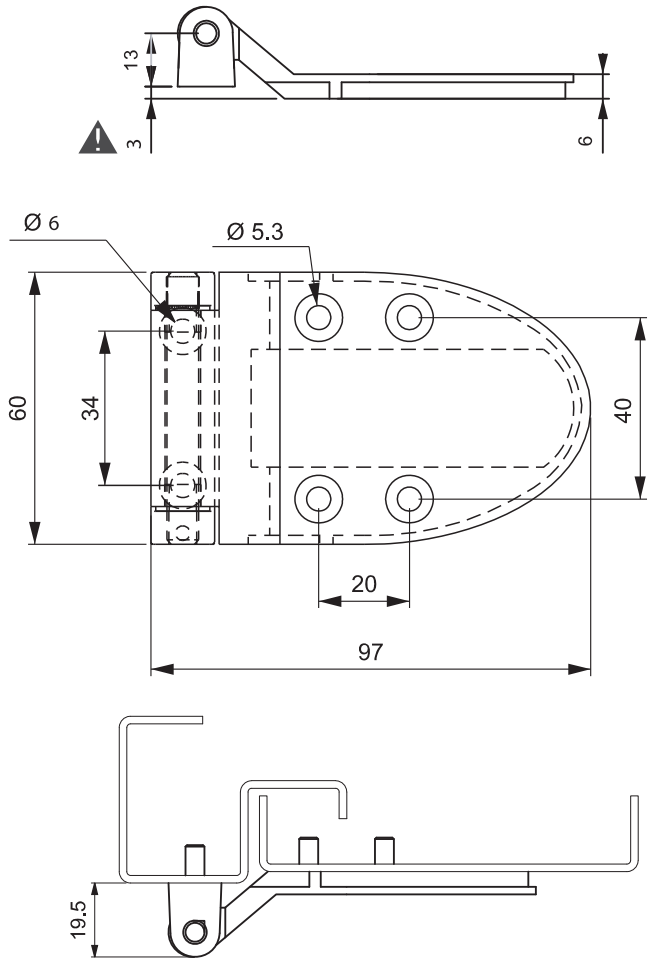
HVAC HINGE



- Generally used for plain/flush-mounted, isolated, heavy doors
- Specially designed for central air conditioning units
- Stylish design
- Supplied with polyamide hinge cover and Stainless steel (AISI 304) hinge pin

**MATERIAL**  
 BODY: Zinc Alloy DIN-EN 1774-ZnAl4Cu1  
 PIN: Stainless Steel  
 BEARING: Delrin  
 COVER: PA 6 GFR 30

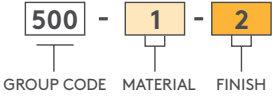
**FINISH**  
 Black coated



Hinge Rotation Angle  
 0° - 180°

**Note:** Bolts are not supplied

**PRODUCT CODE**

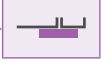


MATERIAL	M	FINISH	F
Zinc Alloy	1	Black coated	2

# FLAT HINGES

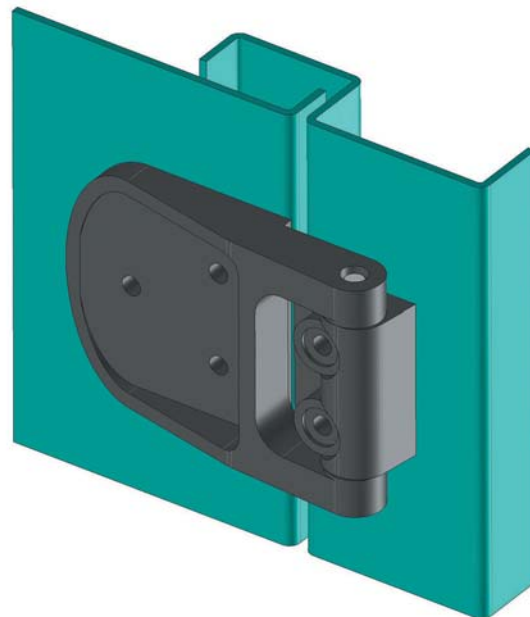
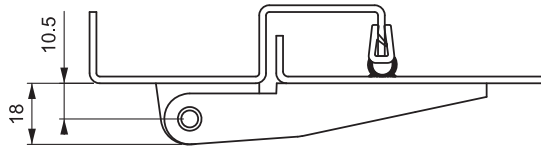
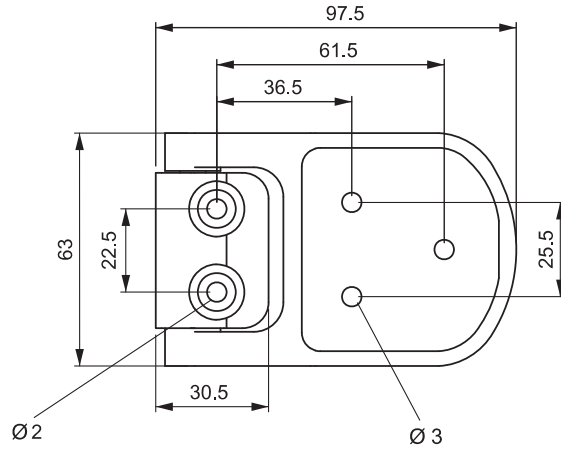
HVAC HINGE

300



**MATERIAL**

BODY: Polyamide DIN-EN ISO 1043-1  
 PA 6 GFR 30  
 PIN: Stainless Steel



Hinge Rotation Angle

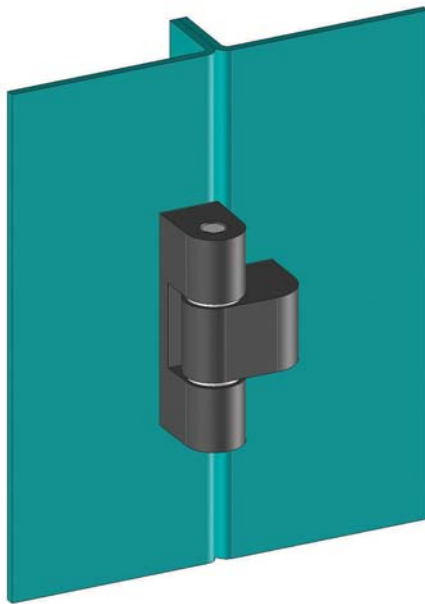
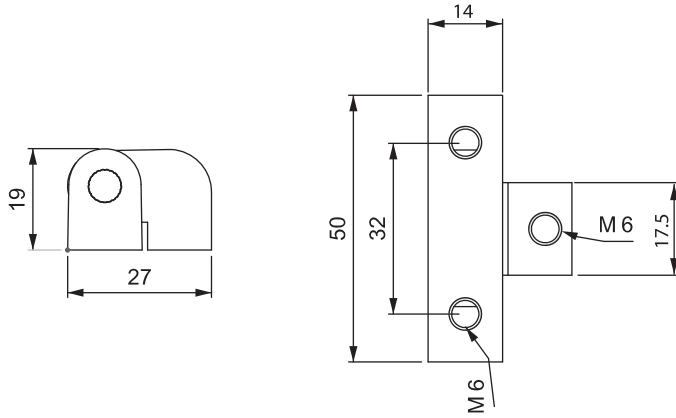




693

HINGE WITH BEARING

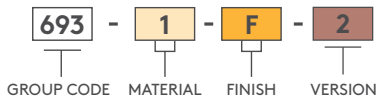
- 
- 
- 



**MATERIAL**

BODY: Zamak DIN-EN 1774-ZnAl4Cu1  
 PIN: Stainless Steel  
 BEARING: Delrin

**PRODUCT CODE**



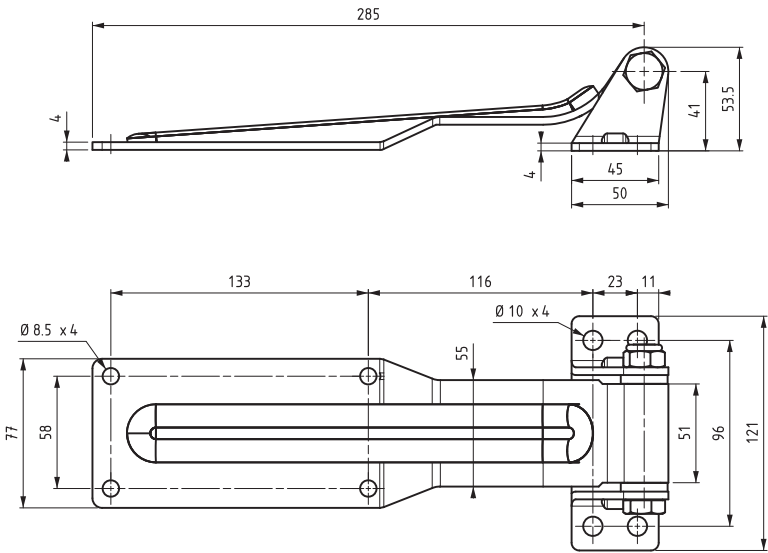
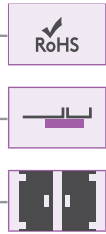
MATERIAL		FINISH	
	M		F
Zinc Alloy	1	Chrome	1
		Black coated	2

Hinge Rotation Angle



# FLAT HINGES

## TRUCK CARRIER HINGE



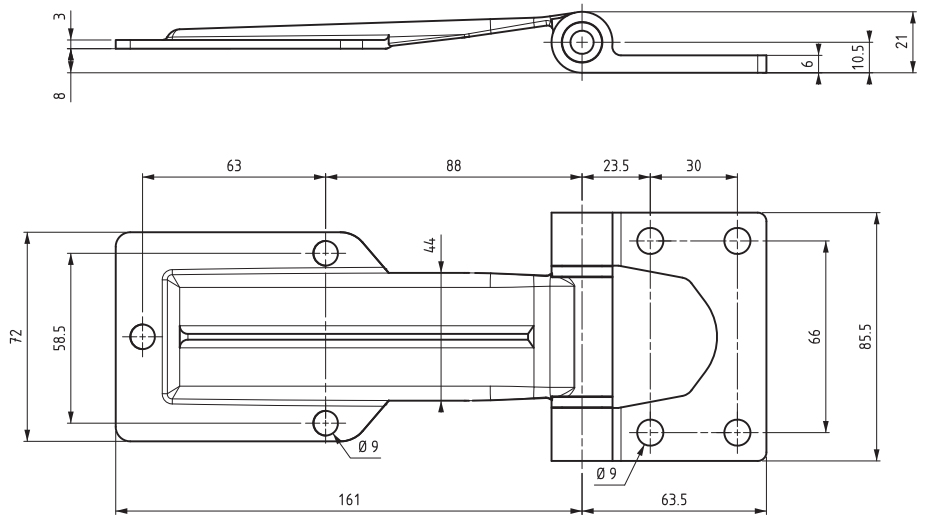
a)

MATERIAL AND FINISH	PRODUCT CODE
Steel – zinc plated	340.0.8024
Steel – black coated	340.0.8025

- Strong hinge used on doors of refrigerated truck carriers and trailers
- Opening angle 270°
- Provided as zinc plated or black-powder coated
- Suitable for left- and right-hand applications

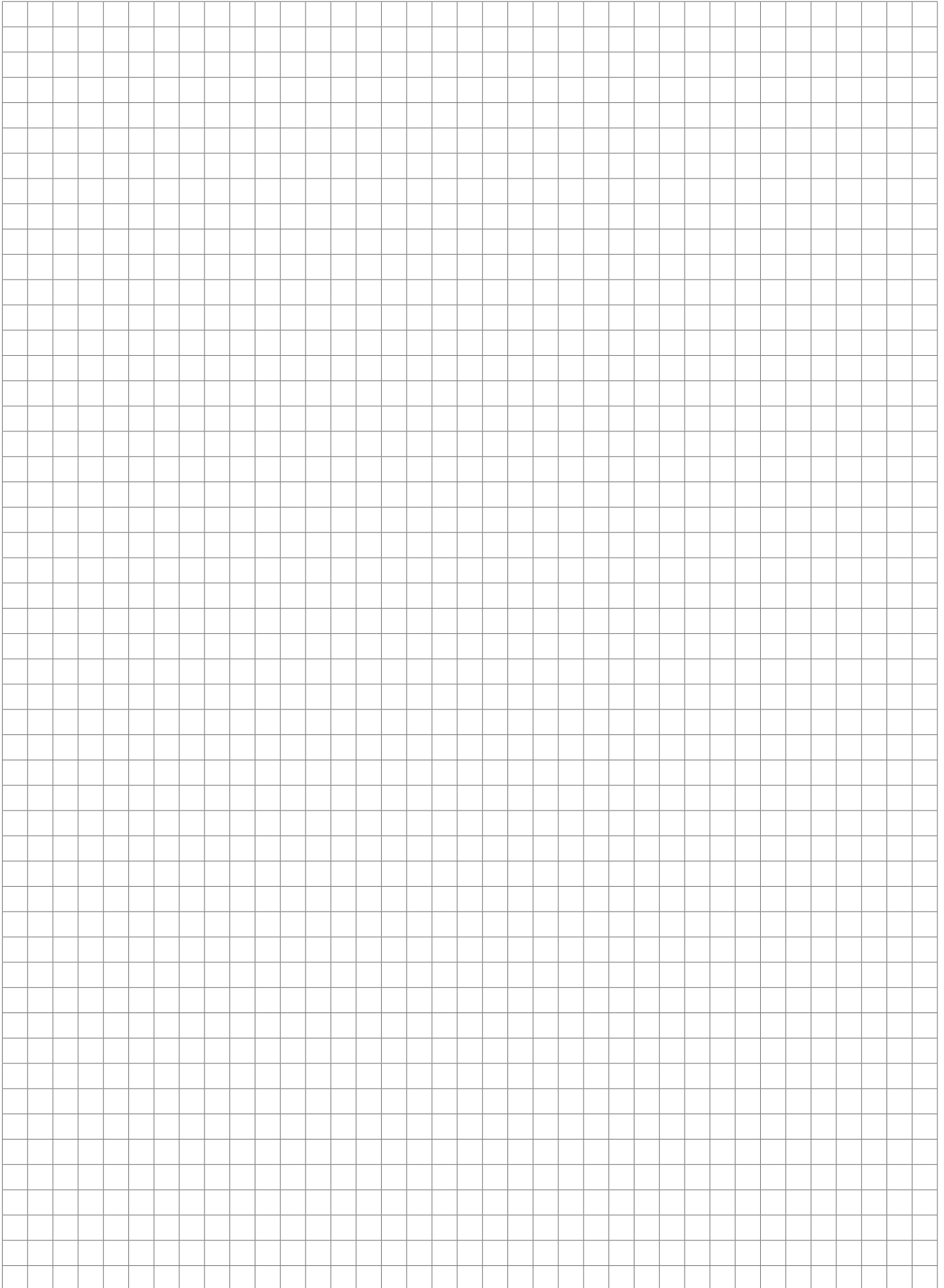
### MATERIAL

Frame part: Steel  
Door part: Steel



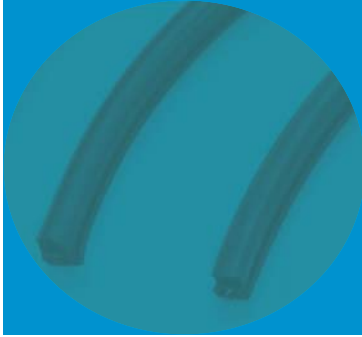
b)

MATERIAL AND FINISH	PRODUCT CODE
Steel – zinc plated	340.0.8023
Steel – black coated	340.0.8029





# GASKETS



# GASKETS

## PRODUCT NAME

ADHESIVE GASKET

EDGE PROTECTION

SIDE BUBBLE GASKET

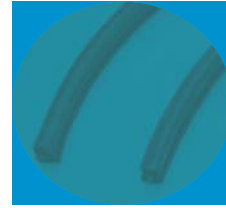
TOP BUBBLE GASKET

FIN GASKET

S GASKET

GLAZING GASKET

EDGE GASKET



**PAGE**

400 - 401

400

402 - 404, 408 - 414

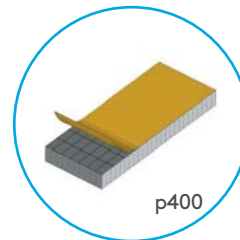
405 - 407, 413

407 - 408

372, 380

409

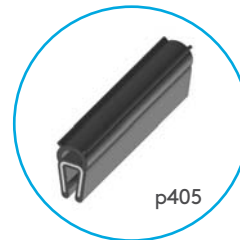
410 - 411



p400



p402



p405



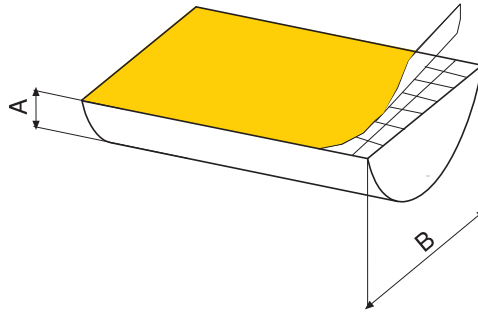
p409



# GASKETS

## ADHESIVE TYPE GASKET

1300

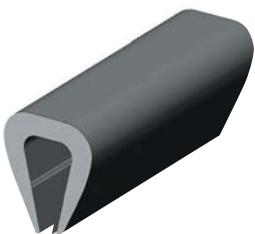


- Provides heat, sound, isolation; suitable for ingress protection
- 10-year life cycle
- Easy application with adhesive band

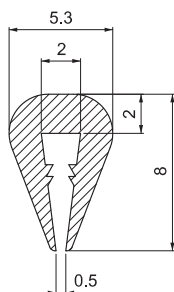
**MATERIAL**  
Polyurethane

A MM	B MM	PRODUCT CODE	STANDARD ROLL LENGTH
3	10	1300.3.10	50
3	15	1300.3.15	50
3	20	1300.3.20	50
4	10	1300.4.10	50
4	15	1300.4.15	50
4	20	1300.4.20	50
5	10	1300.5.10	50
5	15	1300.5.15	50
5	20	1300.5.20	50
6	10	1300.6.10	25
6	15	1300.6.15	25
6	20	1300.6.20	25
7	10	1300.7.10	25
7	15	1300.7.15	25
7	25	1300.7.25	25
8	10	1300.8.10	25
8	15	1300.8.15	25
8	20	1300.8.20	25
9	15	1300.9.15	25
9	20	1300.9.20	25
10	15	1300.10.15	25
10	20	1300.10.20	25

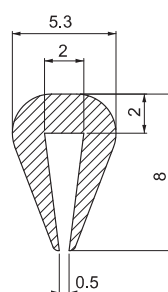
## EDGE PROTECTION



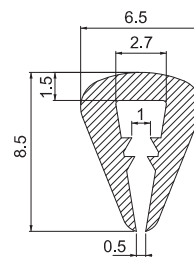
⚠ Please contact Essentra for different sizes



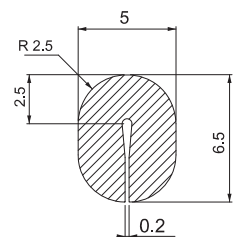
PRODUCT CODE  
34001010



PRODUCT CODE  
34001011



PRODUCT CODE  
34001012

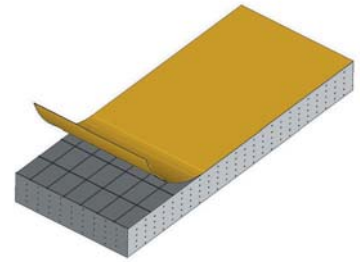
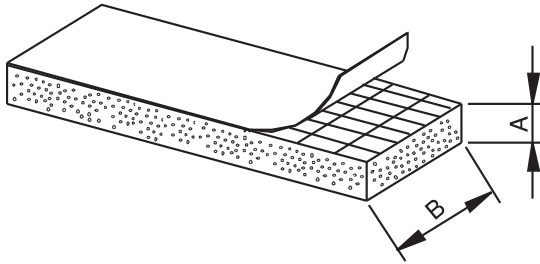


PRODUCT CODE  
34001015

**MATERIAL**  
PVC



ADHESIVE TYPE GASKET



A MM	B MM	1100 POLYETHYLENE	1200 EPDM
2	10	1100.2.10	1200.2.10
2	15	1100.2.15	1200.2.15
2	20	1100.2.20	1200.2.20
2	25	1100.2.25	1200.2.25
2	30	1100.2.30	1200.2.30
3	10	1100.3.10	1200.3.10
3	15	1100.3.15	1200.3.15
3	18	1100.3.18	1200.3.18
3	20	1100.3.20	1200.3.20
3	25	1100.3.25	1200.3.25
3	30	1100.3.30	1200.3.30
3	40	1100.3.40	1200.3.40
5	10	1100.5.10	1200.5.10
5	13	1100.5.13	1200.5.13
5	15	1100.5.15	1200.5.15
5	18	1100.5.18	1200.5.18
5	20	1100.5.20	1200.5.20
5	25	1100.5.25	1200.5.25
5	30	1100.5.30	1200.5.30
5	35	1100.5.35	1200.5.35
5	40	1100.5.40	1200.5.40
5	50	1100.5.50	1200.5.50
8	8	1100.8.8	1200.8.8
8	10	1100.8.10	1200.8.10
8	12	1100.8.12	1200.8.12
8	15	1100.8.15	1200.8.15
8	20	1100.8.20	1200.8.20
8	25	1100.8.25	1200.8.25
8	30	1100.8.30	1200.8.30
8	40	1100.8.40	1200.8.40
10	10	1100.10.10	1200.10.10
10	12	1100.10.12	1200.10.12
10	15	1100.10.15	1200.10.15
10	20	1100.10.20	1200.10.20
10	25	1100.10.25	1200.10.25
10	30	1100.10.30	1200.10.30
10	35	1100.10.35	1200.10.35
10	40	1100.10.40	1200.10.40

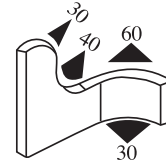
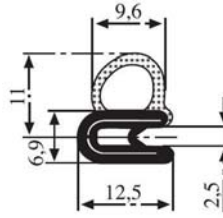
MATERIAL

Polyethylene or EPDM Rubber

# GASKETS



**340.09.001**



Grip range:  
1.0-2.0 mm

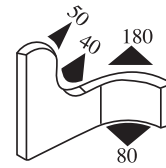
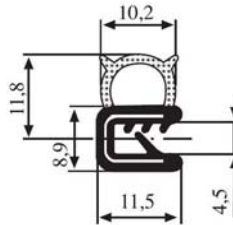
Material:	EPDM	Color:	BLACK	Packing (mt.):	100
-----------	------	--------	-------	----------------	-----



**340.09.002**

UL 94 -V0

**340.09.002.001**

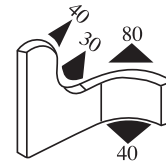
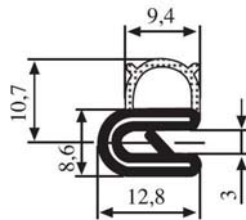


Grip range:  
1.0-3.0 mm

Material:	EPDM	Color:	BLACK	Packing (mt.):	100
-----------	------	--------	-------	----------------	-----



**340.09.003**

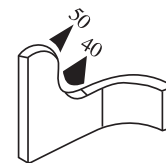
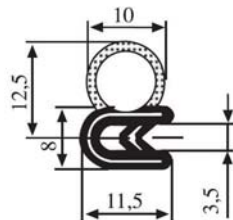


Grip range:  
1.0-2.5 mm

Material:	EPDM	Color:	BLACK	Packing (mt.):	100
-----------	------	--------	-------	----------------	-----

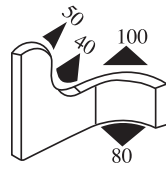
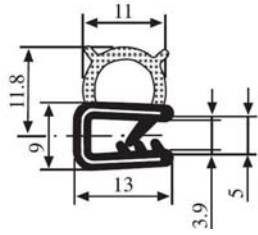


**340.09.004**



Grip range:  
1.0-2.0 mm

Material:	EPDM	Color:	BLACK	Packing (mt.):	100
-----------	------	--------	-------	----------------	-----



340.09.006

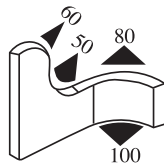
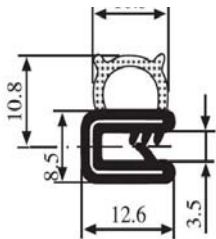
Grip range:  
1.0-3.0 mm

UL 94 -V0

340.09.006.001



Material:	EPDM	Color:	BLACK	Packing (mt.):	100
-----------	------	--------	-------	----------------	-----

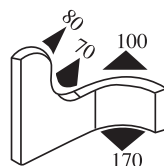
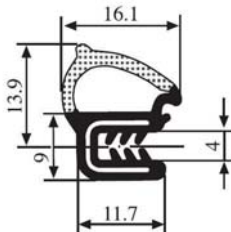


340.09.007

Grip range:  
1.0-2.0 mm



Material:	EPDM	Color:	BLACK	Packing (mt.):	100
-----------	------	--------	-------	----------------	-----

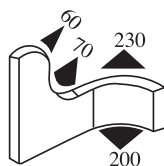
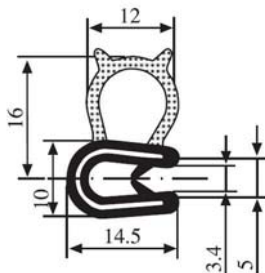


340.09.010

Grip range:  
1.5-3.0 mm



Material:	EPDM	Color:	BLACK	Packing (mt.):	50
-----------	------	--------	-------	----------------	----



340.09.014

Grip range:  
1.0-3.0 mm

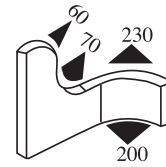
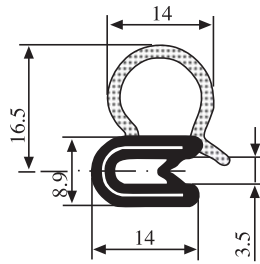


Material:	EPDM	Color:	BLACK	Packing (mt.):	50
-----------	------	--------	-------	----------------	----

**GASKETS**



**340.09.017**

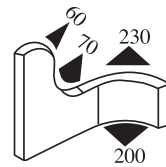
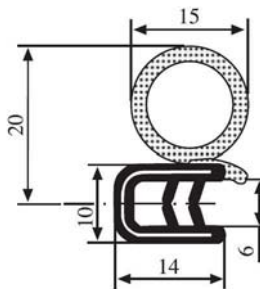


Grip range:  
1.0-3.0 mm

Material: EPDM      Color: BLACK      Packing (mt.): 50



**340.09.019**

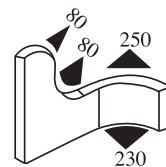
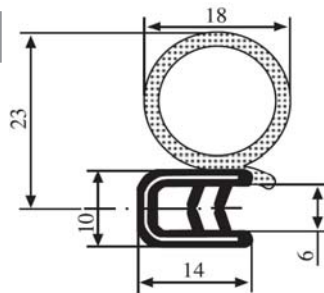


Grip range:  
1.0-4.0 mm

Material: EPDM      Color: BLACK      Packing (mt.): 50



**340.09.021**

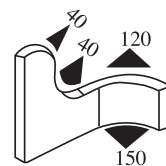
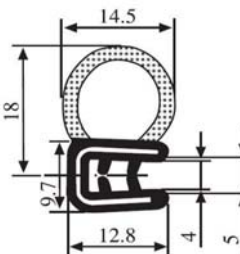


Grip range:  
1.0-4.0 mm

Material: EPDM      Color: BLACK      Packing (mt.): 40

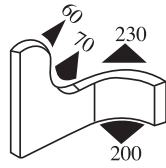
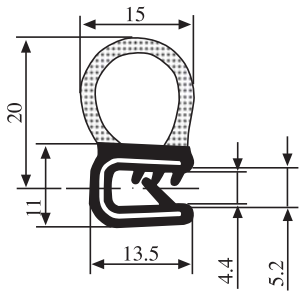


**340.09.029**



Grip range:  
1.5-3.5 mm

Material: EPDM      Color: BLACK      Packing (mt.): 50

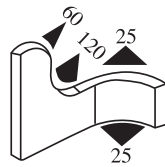
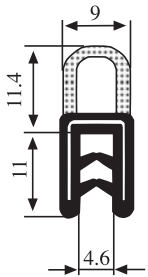


340.09.030

Grip range:  
1.5-3.5 mm



Material:	EPDM	Color:	BLACK	Packing (mt.):	50
-----------	------	--------	-------	----------------	----

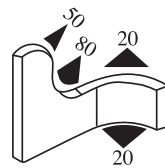
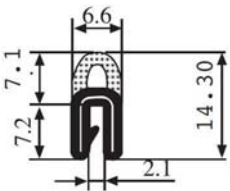


340.09.101

Grip range:  
1.0-3.0 mm



Material:	EPDM	Color:	BLACK	Packing (mt.):	100
-----------	------	--------	-------	----------------	-----

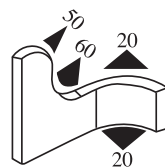
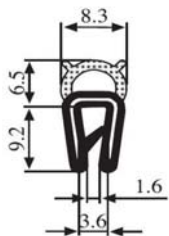


340.09.102

Grip range:  
1.0-2.0 mm



Material:	EPDM	Color:	BLACK	Packing (mt.):	100
-----------	------	--------	-------	----------------	-----



340.09.103

Grip range:  
1.0-2.0 mm

UL 94 -V0

340.09.103.001

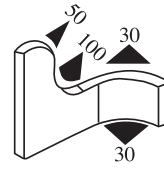
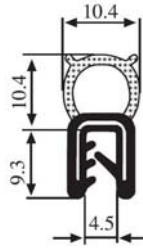


Material:	EPDM	Color:	BLACK	Packing (mt.):	100
-----------	------	--------	-------	----------------	-----

**GASKETS**



**340.09.104**

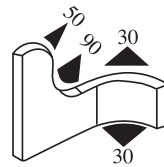
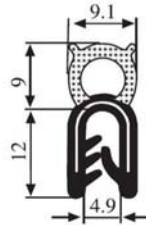


Grip range:  
1.0-3.0 mm

Material:	EPDM	Color:	BLACK	Packing (mt.):	100
-----------	------	--------	-------	----------------	-----



**340.09.105**

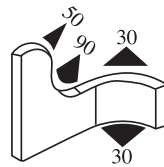
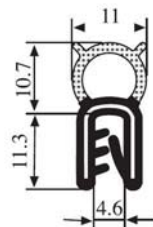


Grip range:  
1.0-3.5 mm

Material:	EPDM	Color:	BLACK	Packing (mt.):	100
-----------	------	--------	-------	----------------	-----



**340.09.107**

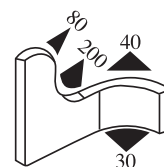
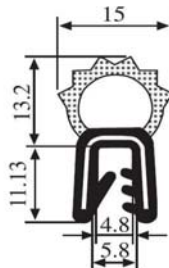


Grip range:  
1.0-3.5 mm

Material:	EPDM	Color:	BLACK	Packing (mt.):	100
-----------	------	--------	-------	----------------	-----

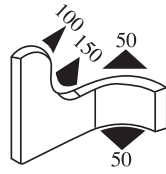
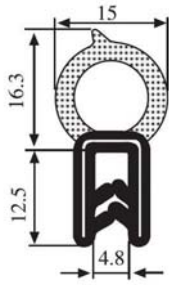


**340.09.109**



Grip range:  
1.0-3.5 mm

Material:	EPDM	Color:	BLACK	Packing (mt.):	75
-----------	------	--------	-------	----------------	----

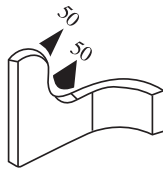
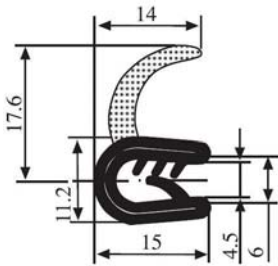


340.09.124

Grip range:  
1.0-3.5 mm



Material:	EPDM	Color:	BLACK	Packing (mt.):	50
-----------	------	--------	-------	----------------	----

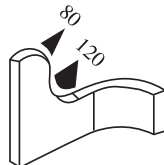
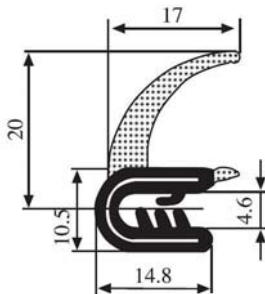


340.09.202

Grip range:  
2.0-4.0 mm



Material:	EPDM	Color:	BLACK	Packing (mt.):	50
-----------	------	--------	-------	----------------	----

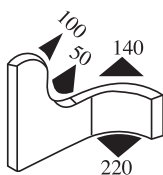
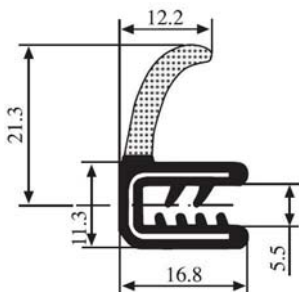


340.09.203

Grip range:  
1.0-3.5 mm



Material:	EPDM	Color:	BLACK	Packing (mt.):	50
-----------	------	--------	-------	----------------	----



340.09.205

Grip range:  
2.0-4.0 mm



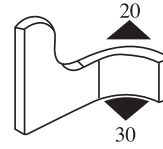
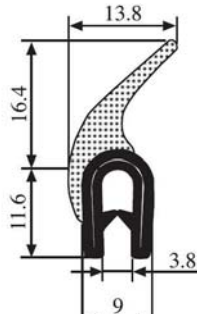
Material:	EPDM	Color:	BLACK	Packing (mt.):	50
-----------	------	--------	-------	----------------	----



**GASKETS**



**340.09.206**

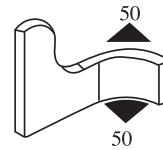
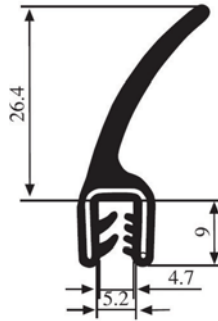


Grip range:  
2.0-4.0 mm

Material:	EPDM	Color:	BLACK	Packing (mt.):	50
-----------	------	--------	-------	----------------	----



**340.09.210**

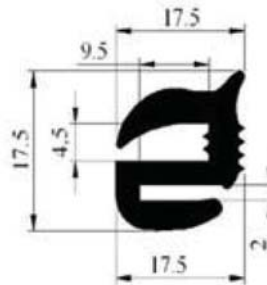


Grip range:  
1.5-3.0 mm

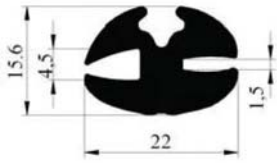
Material:	EPDM	Color:	BLACK	Packing (mt.):	50
-----------	------	--------	-------	----------------	----



**340.09.419**



Material:	EPDM	Color:	BLACK	Packing (mt.):	50
-----------	------	--------	-------	----------------	----



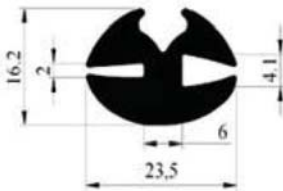
340.09.380

340.09.383

Packing (mt.): 200



Material:	EPDM	Color:	BLACK	Packing (mt.):	50
-----------	------	--------	-------	----------------	----



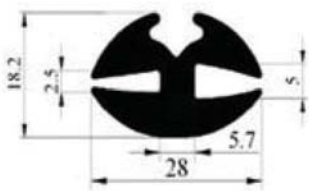
340.09.381

340.09.383

Packing (mt.): 200



Material:	EPDM	Color:	BLACK	Packing (mt.):	50
-----------	------	--------	-------	----------------	----



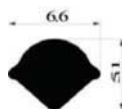
340.09.385

340.09.611

Packing (mt.): 100



Material:	EPDM	Color:	BLACK	Packing (mt.):	50
-----------	------	--------	-------	----------------	----



340.09.382

340.09.384

Packing (mt.): 200

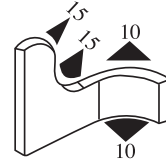
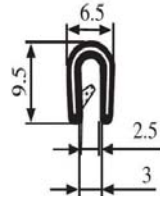


Material:	EPDM	Color:	BLACK	Packing (mt.):	100
-----------	------	--------	-------	----------------	-----

**GASKETS**



**340.09.502**

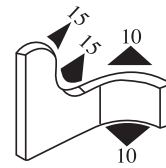
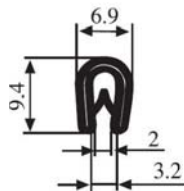


Grip range:  
1.0-2.0 mm

Material: PVC Color: BLACK Packing (mt.): 200



**340.09.504**

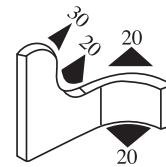
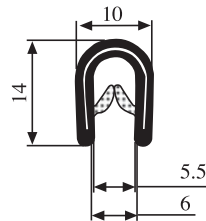


Grip range:  
1.0-2.0 mm

Material: PVC Color: BLACK Packing (mt.): 200



**340.09.516**

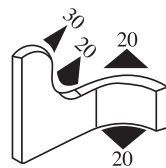
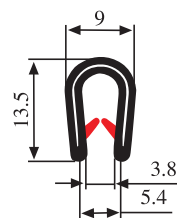


Grip range:  
1.0-4.0 mm

Material: PVC Color: BLACK Packing (mt.): 150

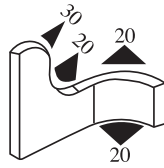
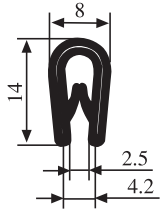


**340.09.517**



Grip range:  
1.0-3.5 mm

Material: PVC Color: BLACK-RED Packing (mt.): 150

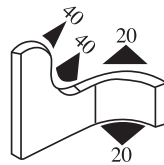
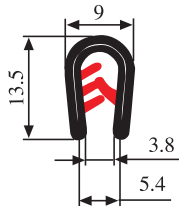


**340.09.522**

Grip range:  
1.0-3.0 mm



<b>Material:</b>	PVC	<b>Color:</b>	BLACK	<b>Packing (mt.):</b>	150
------------------	-----	---------------	-------	-----------------------	-----

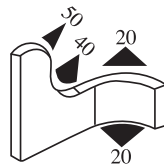
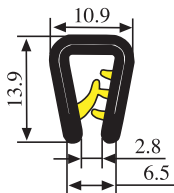


**340.09.523**

Grip range:  
1.5-4.0 mm



<b>Material:</b>	PVC	<b>Color:</b>	BLACK-RED	<b>Packing (mt.):</b>	150
------------------	-----	---------------	-----------	-----------------------	-----

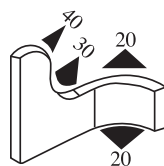
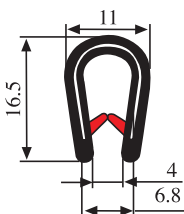


**340.09.527**

Grip range:  
1.5-5.0 mm



<b>Material:</b>	PVC	<b>Color:</b>	BLACK-YELLOW	<b>Packing (mt.):</b>	150
------------------	-----	---------------	--------------	-----------------------	-----



**340.09.530**

Grip range:  
2.0-4.0 mm

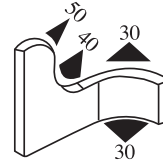
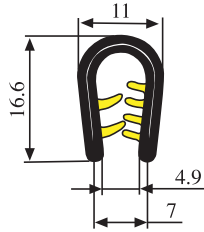


<b>Material:</b>	PVC	<b>Color:</b>	BLACK-RED	<b>Packing (mt.):</b>	100
------------------	-----	---------------	-----------	-----------------------	-----

# GASKETS



**340.09.538**

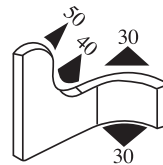
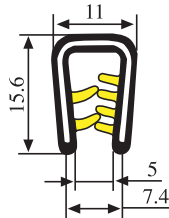


Grip range:  
1.0-4.0 mm

Material:	EPDM	Color:	BLACK-YELLOW	Packing (mt.):	100
-----------	------	--------	--------------	----------------	-----



**340.09.540**

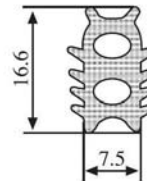


Grip range:  
1.5-4.5 mm

Material:	EPDM	Color:	BLACK-YELLOW	Packing (mt.):	100
-----------	------	--------	--------------	----------------	-----



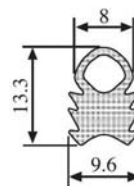
**340.09.678**



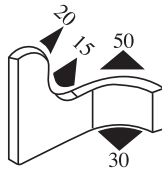
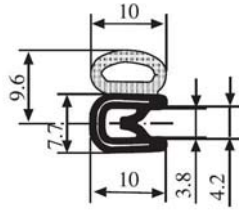
Material:	EPDM	Color:	BLACK	Packing (mt.):	100
-----------	------	--------	-------	----------------	-----



**340.09.679**



Material:	EPDM	Color:	BLACK	Packing (mt.):	100
-----------	------	--------	-------	----------------	-----

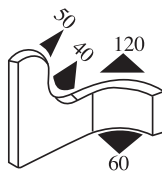
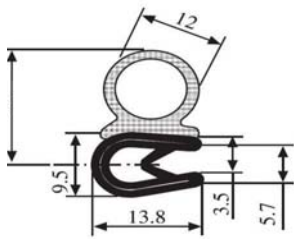


**340.09.701**

Grip range:  
1.0-2.0 mm



Material: PVC/EPDM Color: BLACK Packing (mt.): 2x50=100

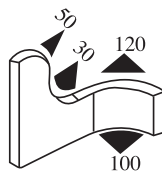
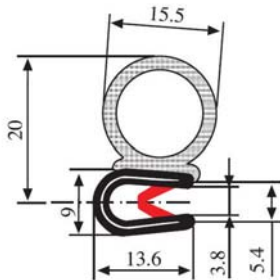


**340.09.705**

Grip range:  
1.0-3.5 mm



Material: PVC/EPDM Color: BLACK Packing (mt.): 50

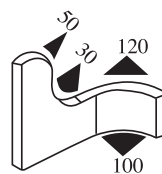
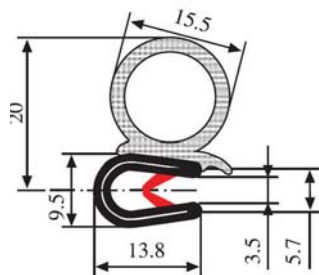


**340.09.707**

Grip range:  
1.0-3.5 mm



Material: PVC/EPDM Color: BLACK-RED Packing (mt.): 50



**340.09.712**

Grip range:  
1.0-3.5 mm

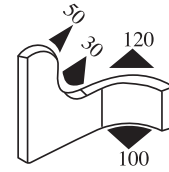
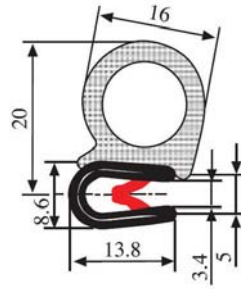


Material: PVC/EPDM Color: BLACK-RED Packing (mt.): 50

**GASKETS**



**340.09.716**

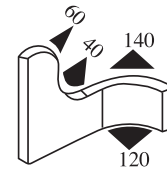
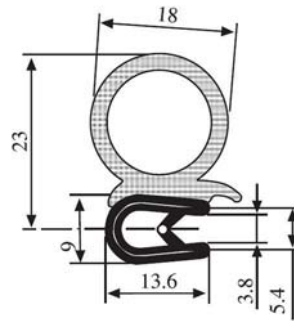


Grip range:  
1.0-4.0 mm

Material: PVC/EPDM Color: BLACK-RED Packing (mt.): 50



**340.09.719**

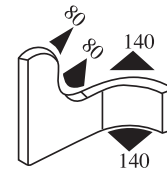
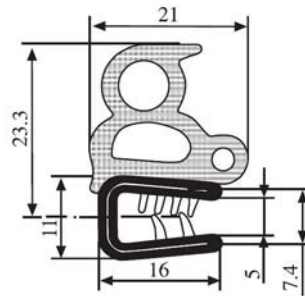


Grip range:  
1.0-3.5 mm

Material: PVC/EPDM Color: BLACK-RED Packing (mt.): 50



**340.09.729**

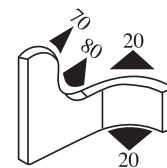
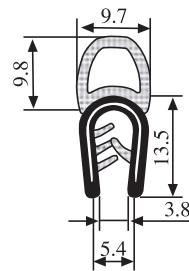


Grip range:  
2.0-4.0 mm

Material: PVC/EPDM Color: BLACK-WHITE Packing (mt.): 50

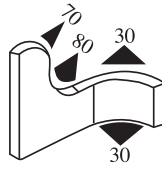
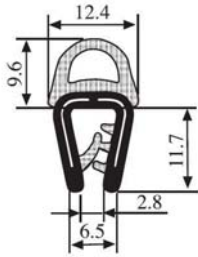


**340.09.802**



Grip range:  
1.5-4.0 mm

Material: PVC/EPDM Color: BLACK-YELLOW Packing (mt.): 100

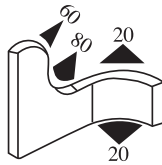
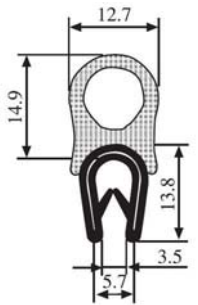


**340.09.804**

Grip range:  
1.5-5.0 mm



Material: PVC/EPDM Color: BLACK-YELLOW Packing (mt.): 50

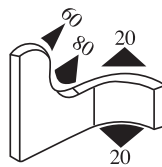
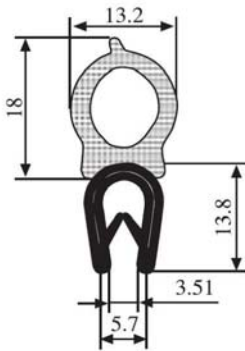


**340.09.805**

Grip range:  
1.0-4.0 mm



Material: PVC/EPDM Color: BLACK Packing (mt.): 50

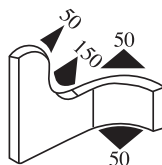
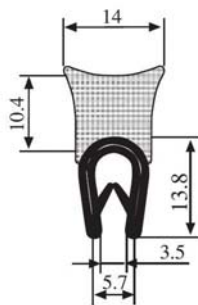


**340.09.806**

Grip range:  
1.0-4.0 mm

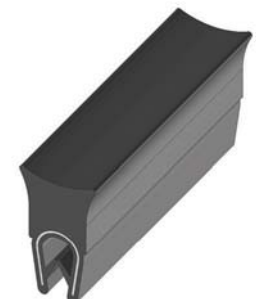


Material: PVC/EPDM Color: BLACK Packing (mt.): 50



**340.09.810**

Grip range:  
1.0-4.0 mm



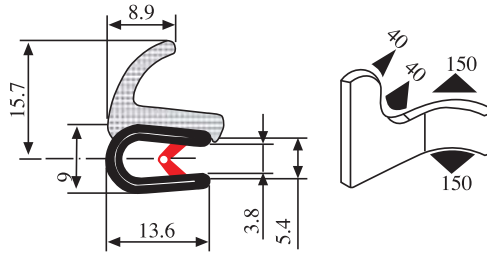
Material: PVC/EPDM Color: BLACK Packing (mt.): 50



**GASKETS**



**340.09.901**

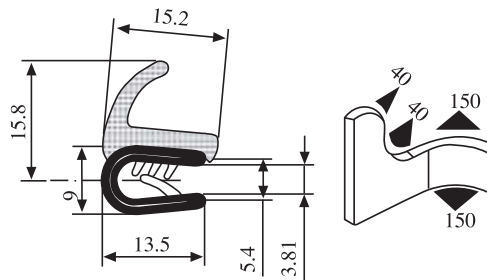


Grip range:  
1.0-3.5 mm

Material:	PVC / EPDM	Color:	BLACK-RED	Packing (mt.):	50
-----------	------------	--------	-----------	----------------	----



**340.09.902**

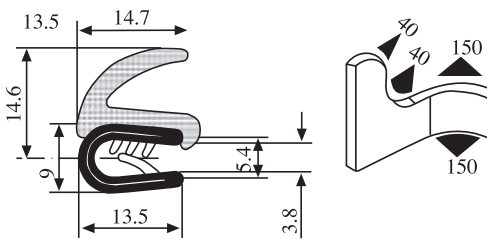


Grip range:  
1.5-4.0 mm

Material:	PVC / EPDM	Color:	BLACK	Packing (mt.):	50
-----------	------------	--------	-------	----------------	----



**340.09.904**

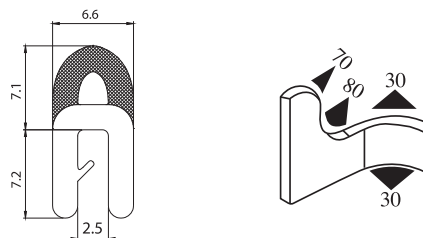


Grip range:  
1.5-4.0 mm

Material:	PVC / EPDM	Color:	BLACK	Packing (mt.):	50
-----------	------------	--------	-------	----------------	----



**340.09.100**



Material:	PVC / EPDM	Color:	BLACK	Packing (mt.):	50
-----------	------------	--------	-------	----------------	----





# HANDLES



# HANDLES

GROUP CODE	PRODUCT NAME
184	DRAWER HANDLE
286	GRAB HANDLE
084	MILLENIUM HANDLE
085	DRAWER HANDLE
086	GRAB HANDLE
186	GRAB HANDLE
287	GRAB HANDLE
087	GRAB HANDLE
187	GRAB HANDLE
387	GRAB HANDLE
487	GRAB HANDLE
374	FLUSH PULL (SNAP-IN)
274	FLUSH PULL (SNAP-IN)
074	FLUSH PULL (SNAP-IN)
174	FLUSH PULL (SNAP-IN)



**PAGE**

420

387

421

421

422

422

423

423

424

425

426

427

428

429

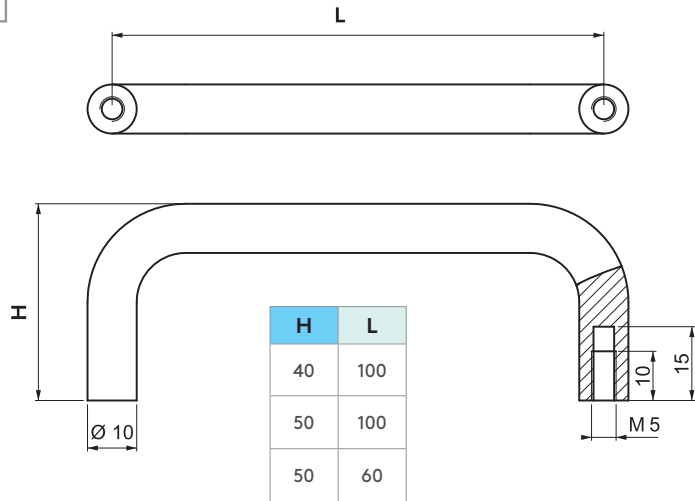
429



# HANDLES

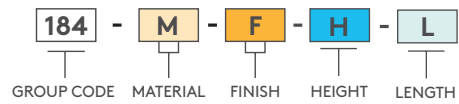
## GRAB HANDLE

184



- Stylish handle for wooden furniture and keyboard shelf in rack cabinets

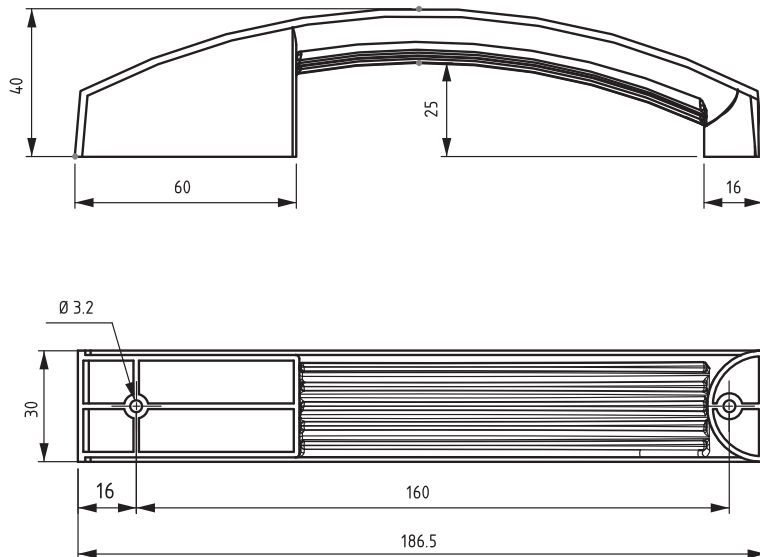
### PRODUCT CODE



MATERIAL	M	FINISH	F
Steel	6	Chrome	1
Aluminium	5	Matt anodized	7
Stainless Steel	4	No finish	0

## GRAB HANDLE

286



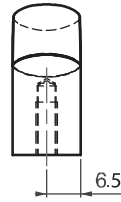
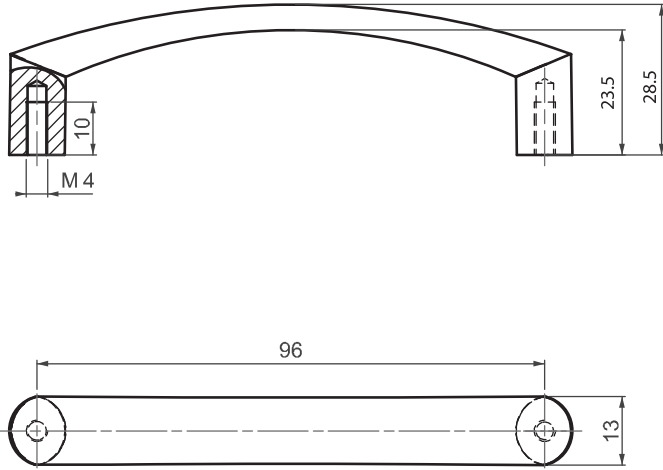
- Stylish
- Internal fixing with two screws

**MATERIAL**  
Polyamide DIN-EN ISO 1043-1  
PA 6 GFR 30



084

MILLENIUM HANDLE



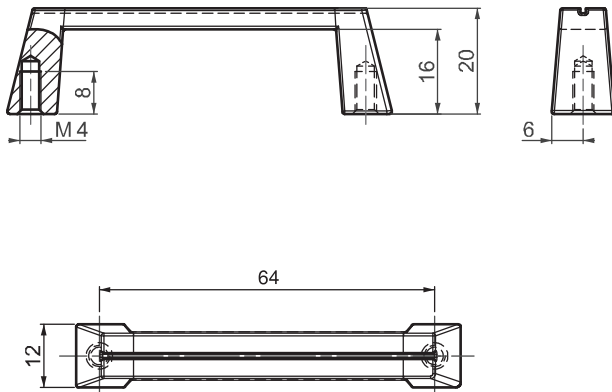
- Stylish handle for wooden furniture

**MATERIAL**  
Zinc Alloy DIN-EN 1774-ZnAl4Cu1

**FINISH**  
Chrome or black coated

085

DRAWER HANDLE

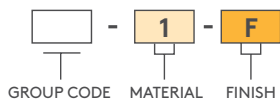


- Stylish handle for wooden furniture and keyboard shelf in rack cabinets

**MATERIAL**  
Zinc Alloy DIN-EN 1774-ZnAl4Cu1

**FINISH**  
Chrome or black coated

PRODUCT CODE

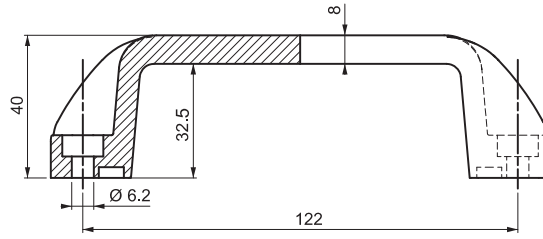


MATERIAL	M	FINISH	F
Zinc Alloy	1	Chrome	1
		Black coated	2

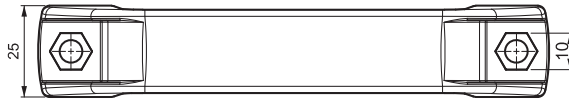
# HANDLES

## GRAB HANDLE

086



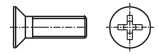
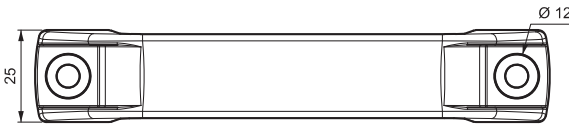
V :1



- Two different fixing types

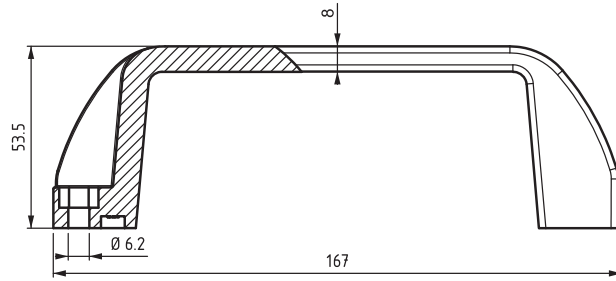
**MATERIAL**  
Polyamide DIN-EN ISO 1043-1  
PA 6 GFR 30

V :2

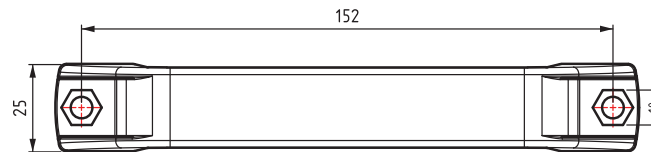


## GRAB HANDLE

186



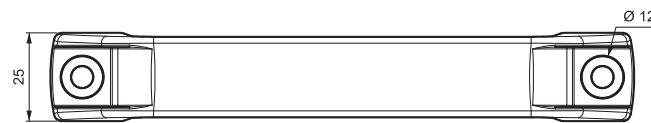
V :1



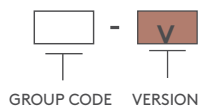
- Two different fixing types

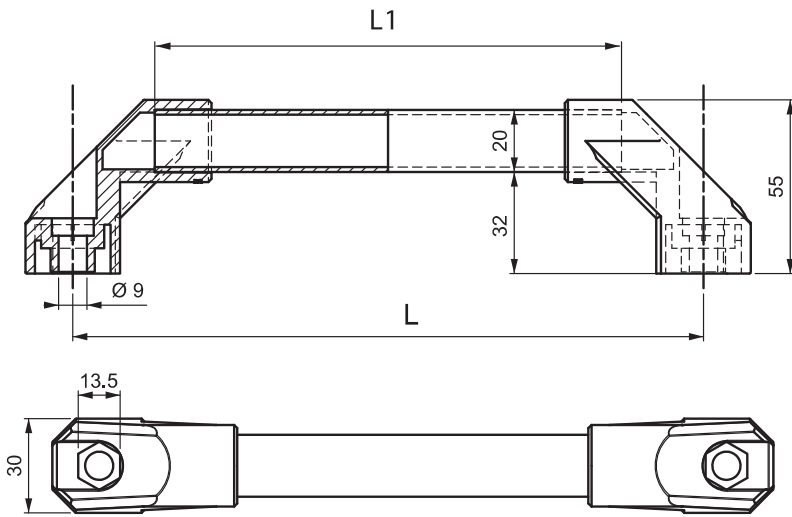
**MATERIAL**  
Polyamide DIN-EN ISO 1043-1  
PA 6 GFR 30

V :2



### PRODUCT CODE





**087**

**GRAB HANDLE**

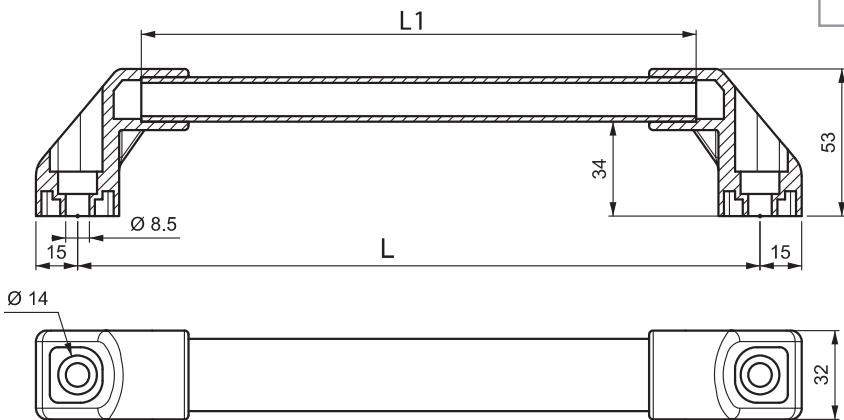


Side part  
(350.02.002)

L1 mm	L mm
148	200
248	300
348	400
448	500

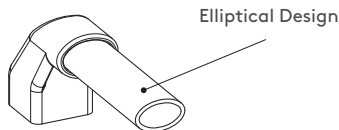
- Matte anodized aluminium
- For different colors and dimensions contact Essentra

**MATERIAL**  
 FIXING PART: Polyamide DIN-EN ISO 1043-1 PA 6 GFR 30  
 HANDLE: Aluminium

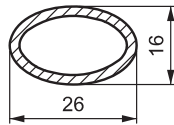


**287**

**GRAB HANDLE**



Elliptical Design

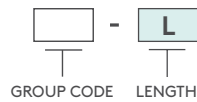


L1 mm	L mm
154	200
254	300
354	400
454	500

- Ergonomic elliptical geometry
- Matte anodized aluminium
- For different colors and dimensions contact Essentra

**MATERIAL**  
 FIXING PART: Polyamide DIN-EN ISO 1043-1 PA 6 GFR 30  
 HANDLE: Aluminium

**PRODUCT CODE**





# HANDLES

## GRAB HANDLE

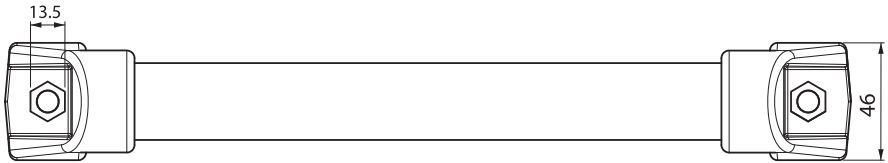
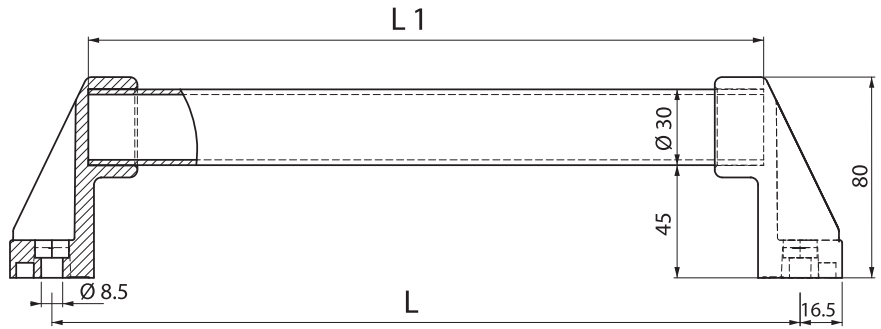
187



- Plastic-coated steel tube
- Centre supports should be used for handle lengths of 1000 mm or more
- For different colors and dimensions contact Essentra

**MATERIAL**

FIXING PART: Polyamide DIN-EN ISO 1043-1 PA 6 GFR 30  
 HANDLE: Plastic coated steel



L1 mm	L mm
269	300
369	400
469	500
569	600
669	700
769	800
969	900



! Middle part should be used for lengths greater than 1000 mm

## MIDDLE HOLDER

340.02.501



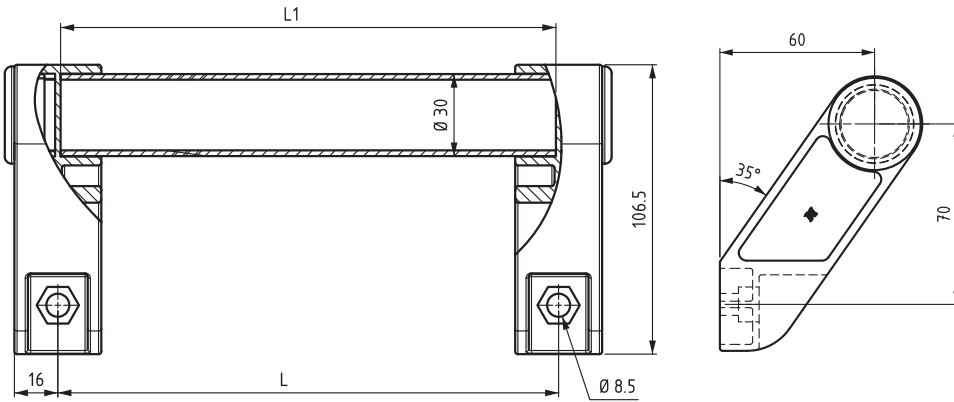
**PRODUCT CODE**





387

GRAB HANDLE



- Plastic-coated steel tube
- Centre supports should be used for handle lengths of 1000 mm or more
- For different colors and dimensions contact Essentra

**MATERIAL**

FIXING PART: Polyamide DIN-EN ISO 1043-1 PA 6 GFR 30  
HANDLE: Plastic-coated steel

L1 mm	L mm
298	300
398	400
498	500
598	600
698	700
798	800
998	1000



! Middle part should be used for lengths greater than 1000 mm

350.02.028

MIDDLE HOLDER



PRODUCT CODE

387 - L

GROUP CODE LENGTH

# HANDLES

## GRAB HANDLE

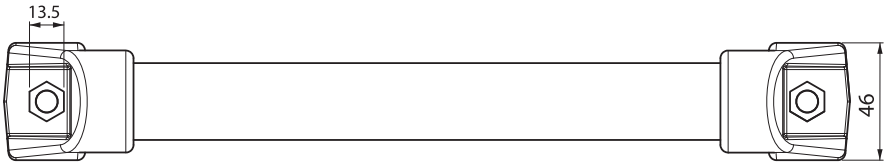
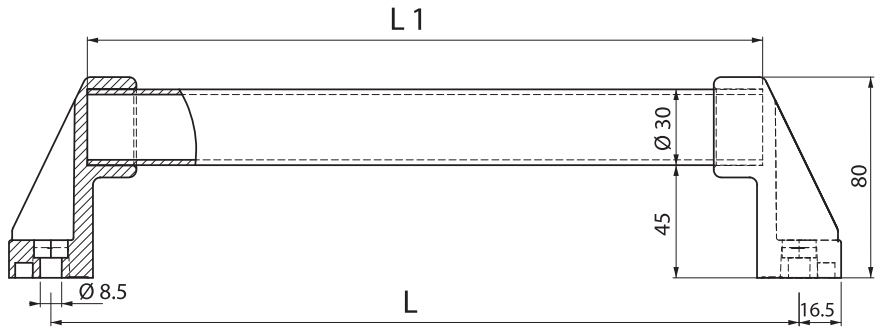
487



- Stainless steel handle
- Centre supports should be used for handle lengths of 1000 mm or more
- For different colors and dimensions contact Essentra

**MATERIAL**

FIXING PART: Polyamide DIN-EN ISO 1043-1 PA 6 GFR 30  
 HANDLE: Stainless steel



L1 mm	L mm
269	300
369	400
469	500
569	600
669	700
769	800
969	900



! Middle part should be used for lengths greater than 1000 mm

## MIDDLE HOLDER

340.02.501



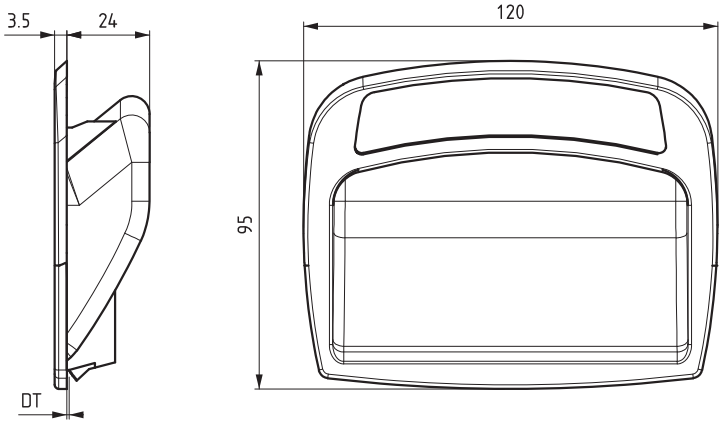
**PRODUCT CODE**





374

FLUSH PULL (SNAP-IN)

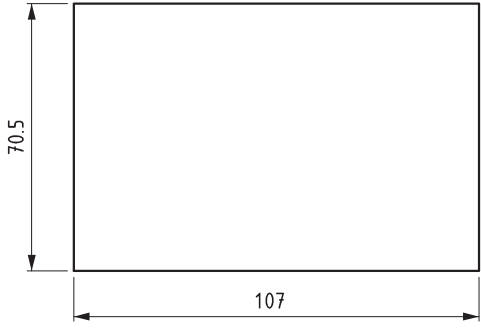


DOOR THICKNESS	DT
0.8 - 1.4 mm	15
1.5 - 2.2 mm	22



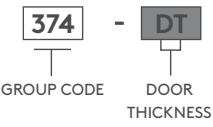
- Easy assembly by clips
- For custom logo and colors please contact Essentra

**MATERIAL**  
ABS



Cut Out

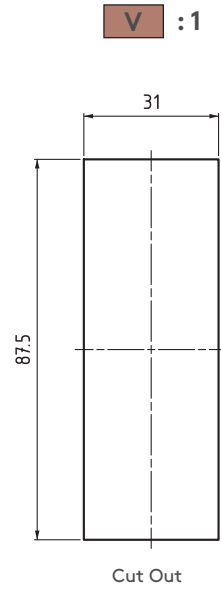
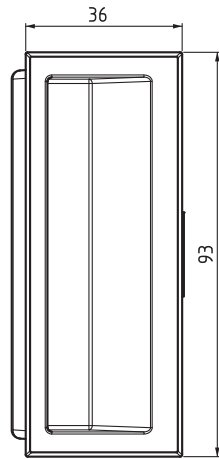
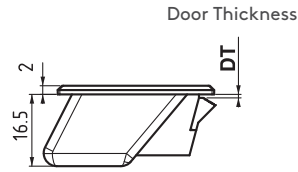
**PRODUCT CODE**



# HANDLES

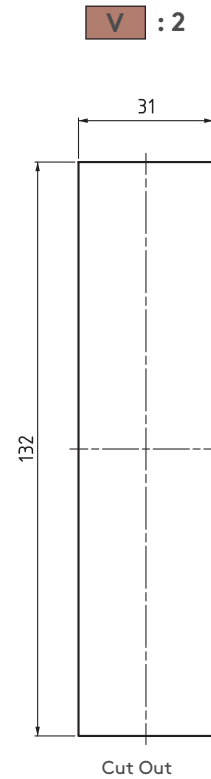
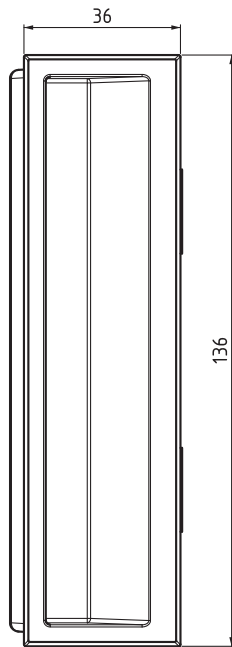
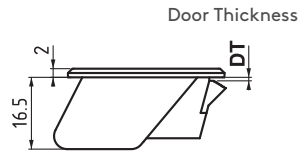
FLUSH PULL (SNAP-IN)

274



- Flush design
- Easy assembly by clips

**MATERIAL**  
ABS



**PRODUCT CODE**

274 - V - DT

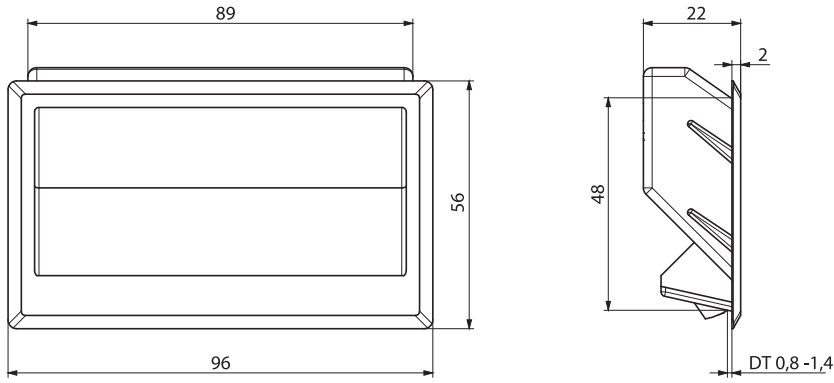
GROUP CODE    VERSION    DOOR THICKNESS

DOOR THICKNESS	DT
0.8 -1.4 mm	15
1.5 - 2.2 mm	22



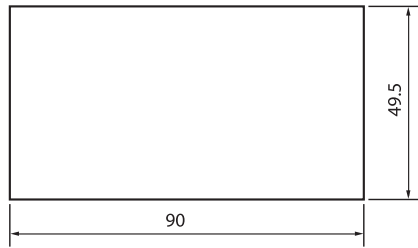
074

FLUSH PULL (SNAP-IN)



- For large door
- Easy assembly by clips

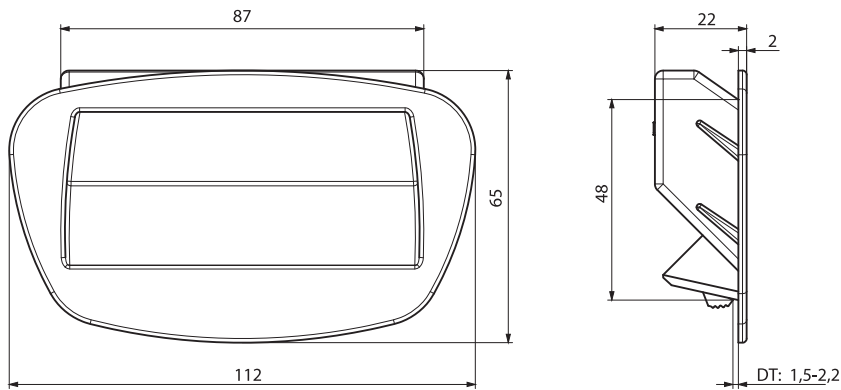
**MATERIAL**  
ABS



Cut Out

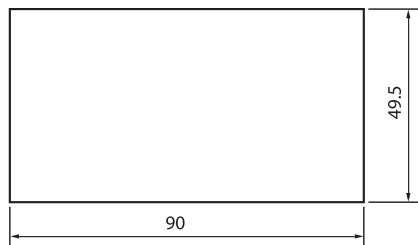
174

FLUSH PULL (SNAP-IN)



- For large doors
- Easy assembly by clips

**MATERIAL**  
ABS



Cut Out



# ACCESSORIES



# ACCESSORIES

GROUP CODE	PRODUCT NAME
2150	DRAWING POCKET (A4)
2152	DRAWING POCKET (A5)
2220	CIRCULAR INSPECTION WINDOW
2216	COUNTER SCREEN
2215	COUNTER SCREEN
24XX	EYEBOLT
240X	CAGE NUT
340.00.135	TOGGLE LATCH
340.00.133	TOGGLE LATCH
340.00.131	TOGGLE LATCH
2702	TOGGLE LATCH
2701	TOGGLE LATCH
2700	TOGGLE LATCH
276X	MINI INDEXING PLUNGERS
2750	SPRING LOADED LATCH WITHOUT STUD
2751	SPRING LOADED LATCH WITH STUD
340.02.430	SCREW
025	GLASS HINGE
320.02.16X	CABLE SHUNTING RINGS
079	COVER STAY
279	COVER STAY
179	COVER STAY
340.10.00X	ACOUSTIC SPONGE (Formed type)
340.10.00X	ACOUSTIC SPONGE (Flat type)
340.00.3XX	DIAPHRAGM GROMMETS
340.08.01X	RUBBER STOPPER
340.00.40X	RUBBER PLUG
340.08.001	DOOR HOLDBACK
340.20.0XX	DOOR BOTTOM BRUSHES (Screw type)
340.20.0XX	DOOR BOTTOM BRUSHES (Plug-in type)



PAGE

432

432

433

434

434

435

435

436

436

436

437

437

437

438

439

439

440

441

441

442

443

444

445

445

446

447

447

448

449

449

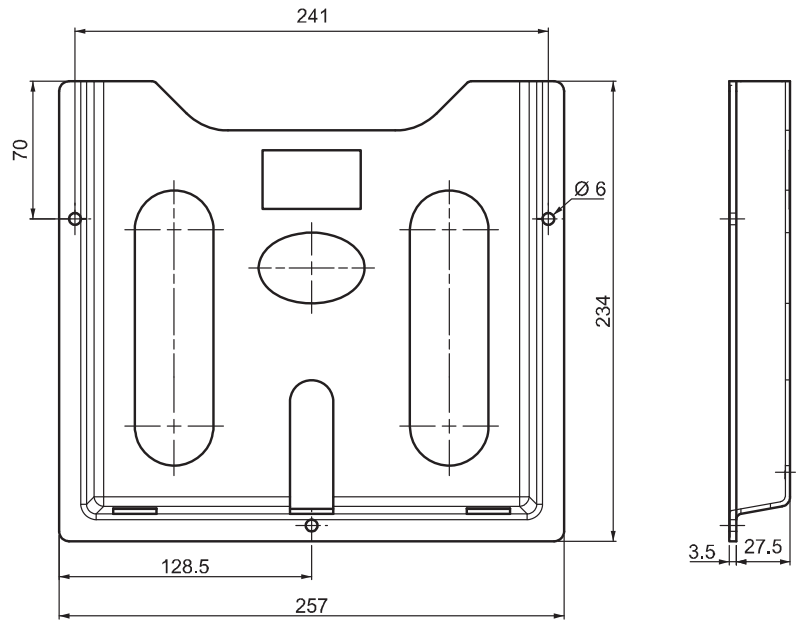




# ACCESSORIES

## DRAWING POCKET (A4)

2150



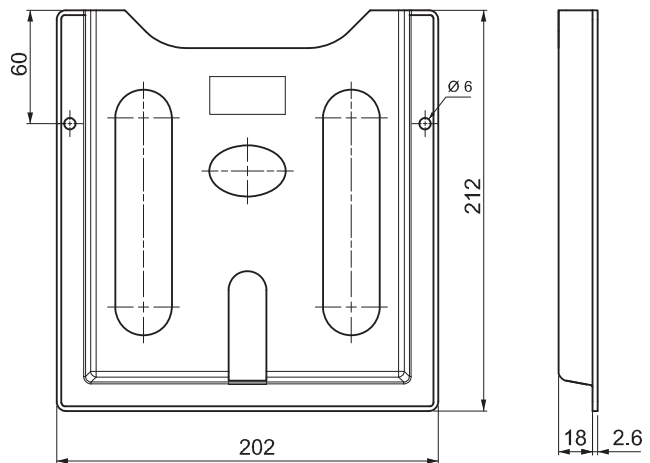
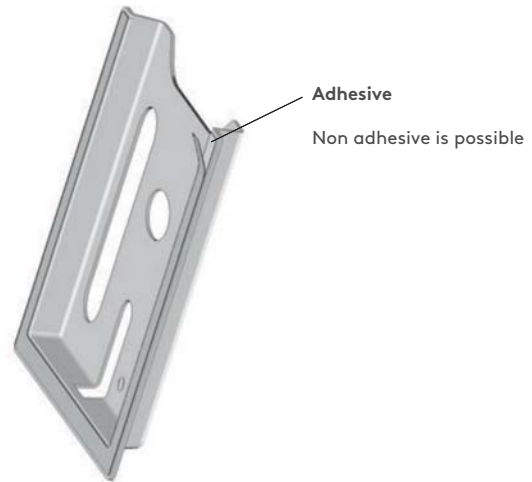
- For A4 size documents. Self adhesive. For special colours or logo, please contact Essentra

**MATERIAL**  
Polystyrene MFI 3-4

**COLOR**  
RAL 7035

## DRAWING POCKET (A5)

2152



- For A5 size documents. Self adhesive. For special colours or logo, please contact Essentra

**MATERIAL**  
Polystyrene MFI 3-4

**COLOR**  
RAL 7035

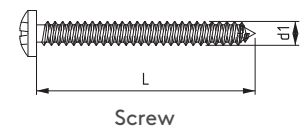
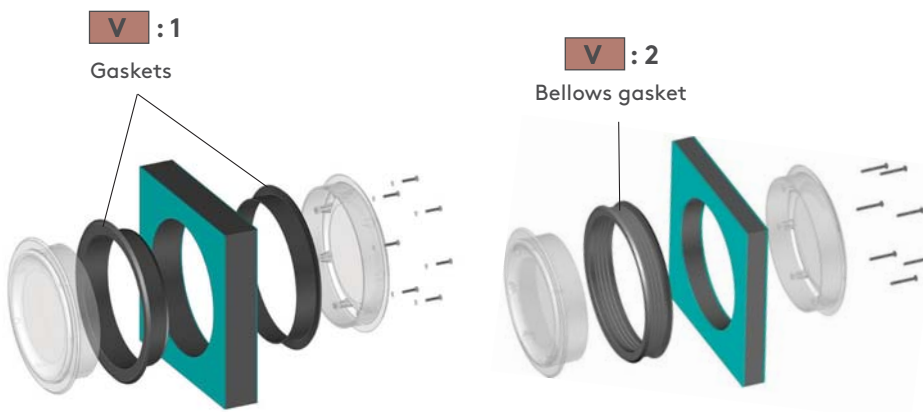
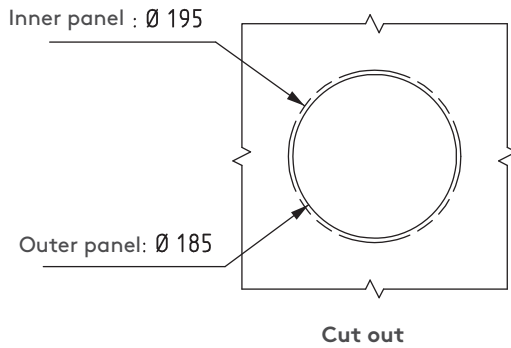
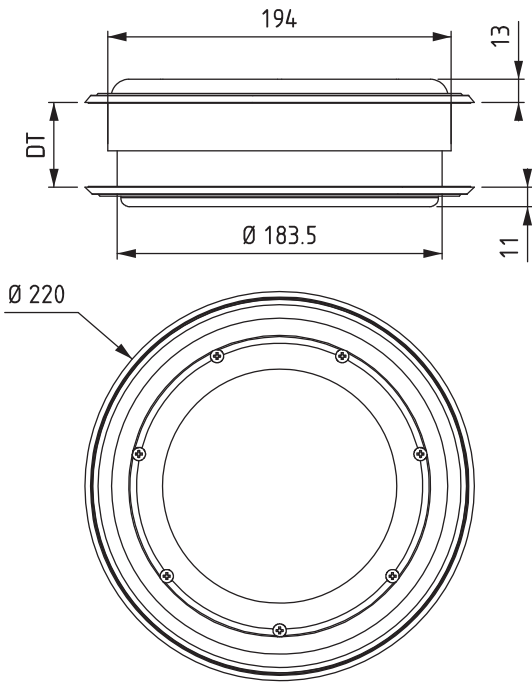
2220

CIRCULAR INSPECTION WINDOW



- Visual inspection of HVAC enclosures
- Adjustable for 30-60 mm isolated doors
- Mounting with 7 screws

**MATERIAL**  
 WINDOW: Polycarbon  
 GASKET: Termo rubber



**PRODUCT CODE**

2220 - DT - V

GROUP CODE DOOR THICKNESS VERSION

DT	D1	L	STOCK CODE
30	4.2	38	306.03.138
40	4.2	45	306.03.304
50	4.2	50	306.03.305
60	4.2	60	306.03.306

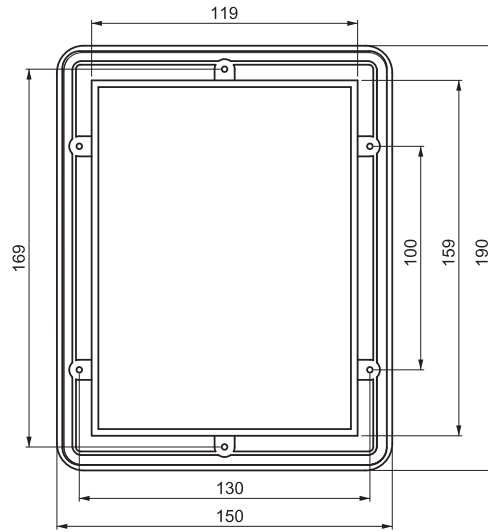
# ▶ ACCESSORIES

## COUNTER SCREEN

2216



- Allows counters or dials to be viewed from outside enclosure.

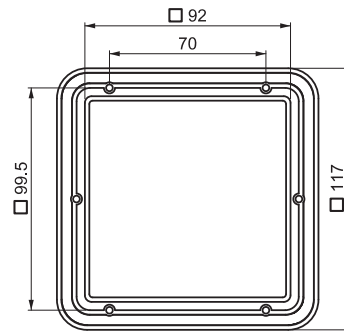


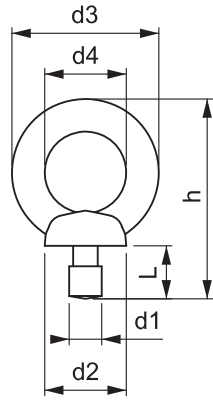
## COUNTER SCREEN

2215



- Allows counters or dials to be viewed from outside enclosure.



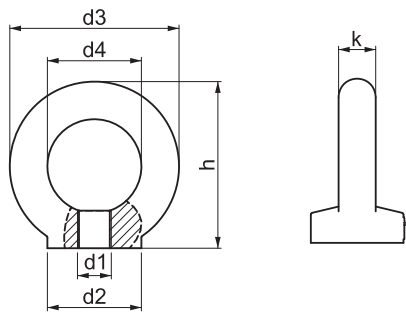


d1	Safety Load (90°)	d2 mm	d3 mm	d4 mm	h mm	L mm	Unit weight	PRODUCT CODE
M8	140	20	36	20	49.0	13.0	0.06	2451
M10	230	25	45	25	63.0	17.0	0.10	2452
M12	340	30	54	30	73.5	20.5	0.18	2453
M14	490	35	63	35	87.0	27.0	0.28	2454
M16	700	35	63	35	89.0	27.0	0.28	2455

EYEBOLT



- Enable enclosure or machine to be moved easily.

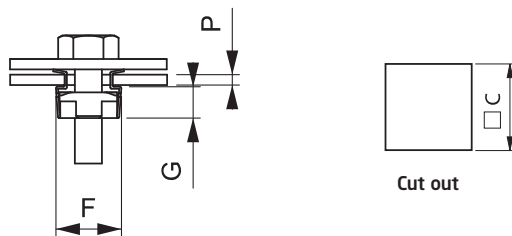


d1	Safety Load (90°)	d2 mm	d3 mm	d4 mm	h mm	k mm	Unit weight	PRODUCT CODE
M8	140	20	36	20	36	8	0.06	2461
M10	230	25	45	25	45	10	0.09	2462
M12	340	30	54	30	53	12	0.16	2463

EYEBOLT



- Enable enclosure or machine to be moved easily.



Screw	Nut	P	G	F	C	PRODUCT CODE
M5	11x11x4.5	1.7 ~ 2.5	36	20	49.0	2400
M6	11x11x4.5	25	45	25	63.0	2401
M8	14x14x5.5	3.3 ~ 4.1	54	30	73.5	2402

CAGE NUT

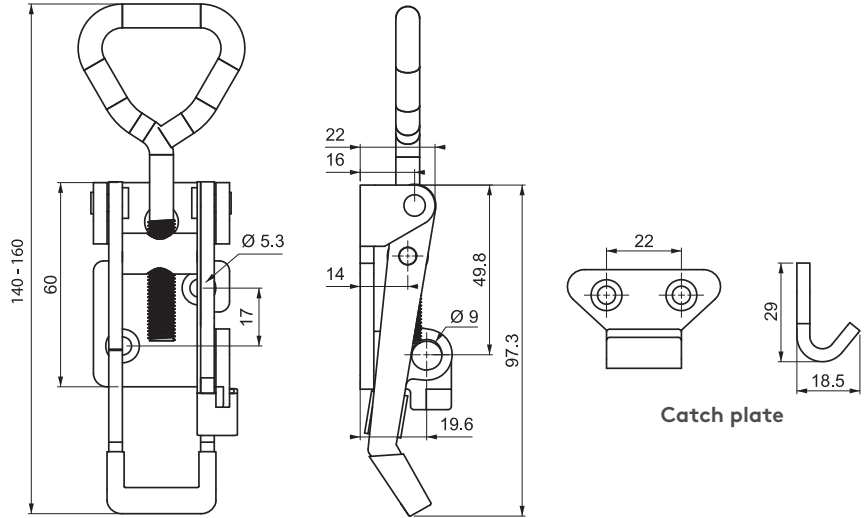


- Designed for attaching two steel plates

# ACCESSORIES

## TOGGLE LATCH

340.00.135

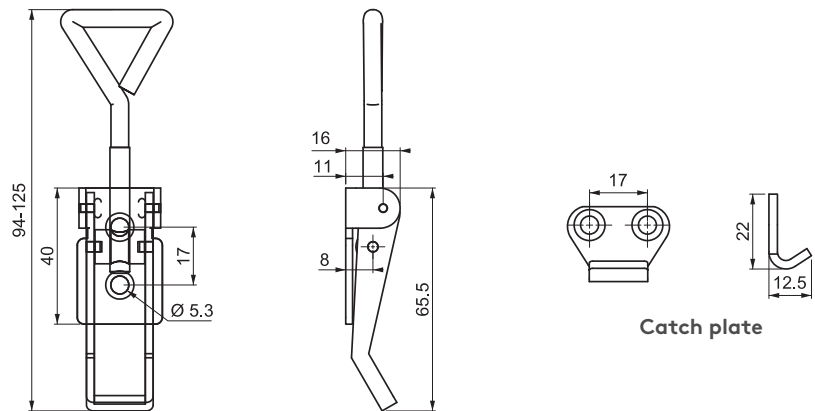


- Adjustable type draw latch.
- Padlockable version
- Used with a special catch plate

**MATERIAL AND FINISH**  
Steel - Zinc Plated

## TOGGLE LATCH

340.00.133

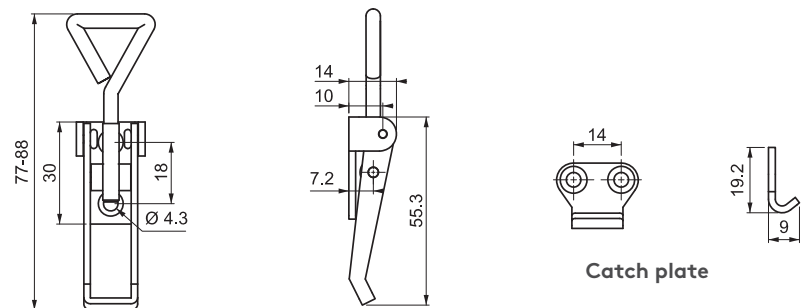


- Used for tool boxes, cabinets

**MATERIAL AND FINISH**  
Steel - Zinc Plated

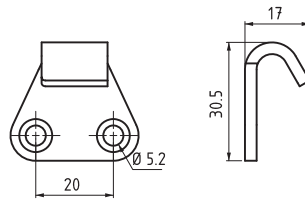
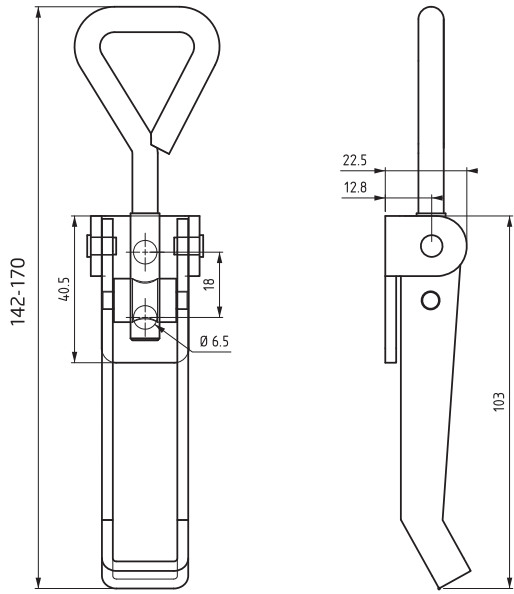
## TOGGLE LATCH

340.00.131



- Used for tool boxes, cabinets

**MATERIAL AND FINISH**  
Steel - Zinc Plated



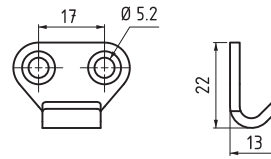
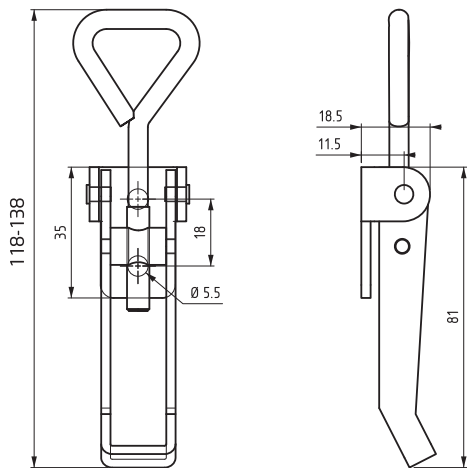
Catch plate

2702

TOGGLE LATCH



MATERIAL AND FINISH  
Steel -Zinc Plated



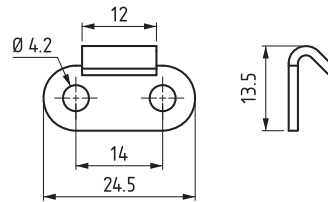
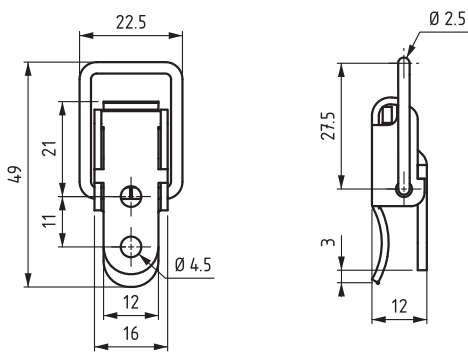
Catch plate

2701

TOGGLE LATCH



MATERIAL AND FINISH  
Steel -Zinc Plated



Catch plate

2700

TOGGLE LATCH



MATERIAL AND FINISH  
Steel -Zinc Plated

PRODUCT CODE



GROUP CODE MATERIAL FINISH

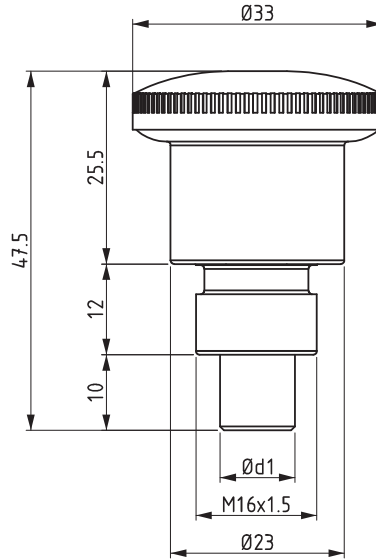
MINI INDEXING PLUNGERS



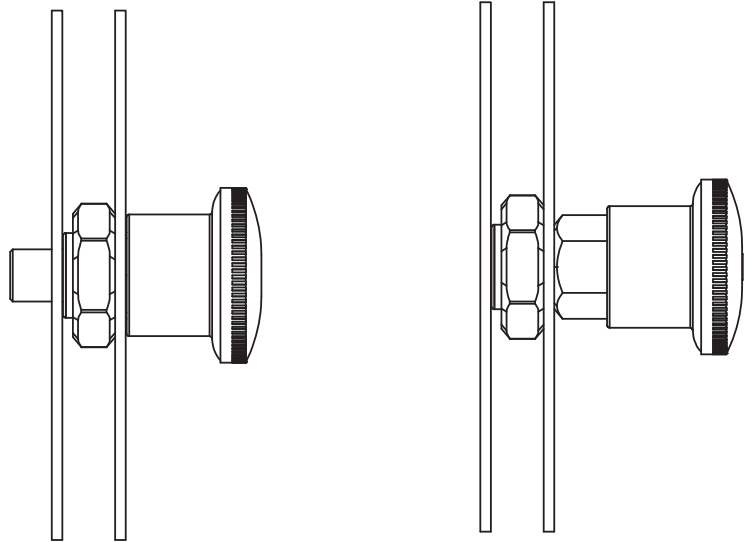
- Suitable for assembly on thin sheets.

MATERIAL

**KNOB** : Polyamide DIN EN ISO 1043-1 PA6 GFR 30  
**BODY** : Steel  
**NUT** : Steel  
**PIN** : Stainless Steel  
**Finish** : Zinc Plated

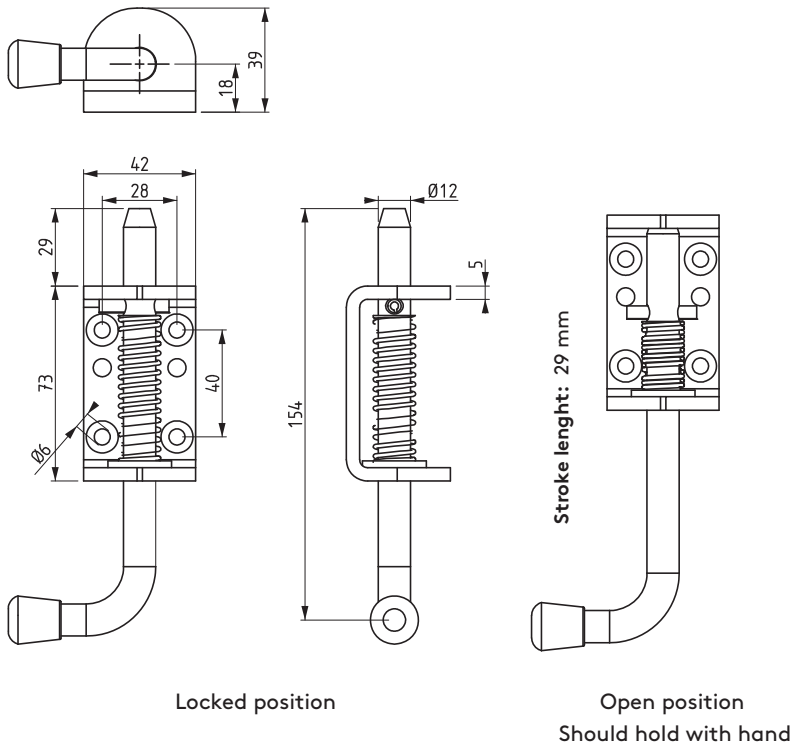


Product code	Ød1	Stroke
2760	10	10
2761	8	8
2762	6	6



Locked position

Open position



2750

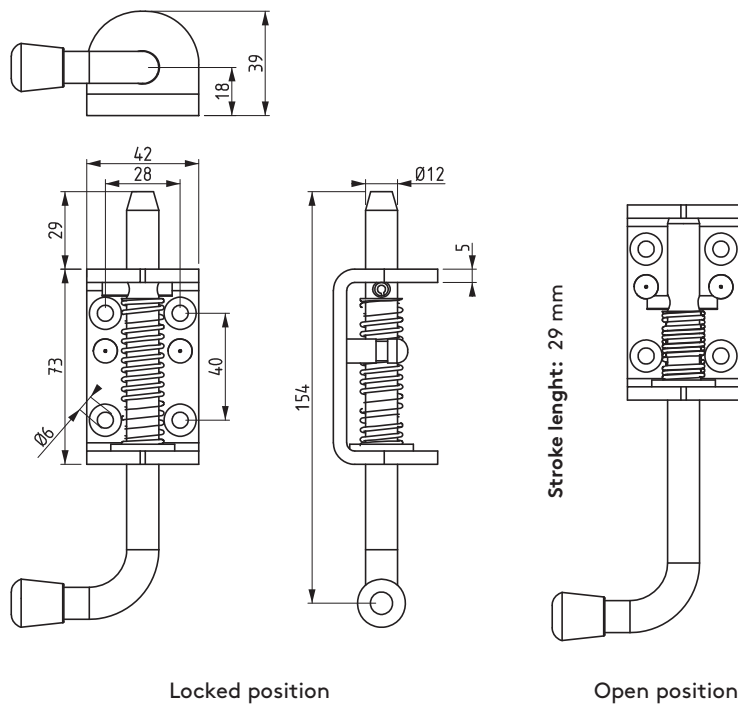
SPRING LOADED LATCH WITHOUT STUD



- Versatile galvanized steel latch great for wood or metal application.

MATERIAL

Body : Steel  
Pin : Steel  
Finish : Zinc Plated



2751

SPRING LOADED LATCH WITH STUD

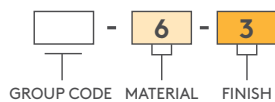


- Pin system allows for the latch to be locked in the open position.
- Non-directional.

MATERIAL

Body : Steel  
Pin : Steel  
Finish : Zinc Plated

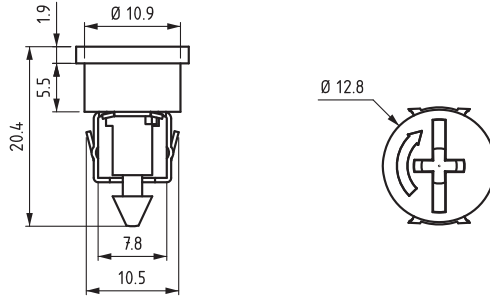
PRODUCT CODE





SCREW

340.02.430



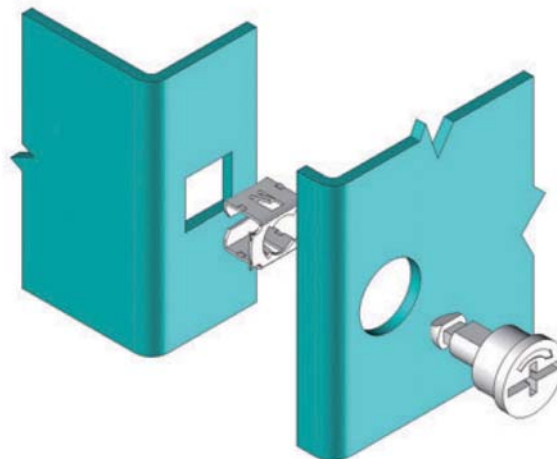
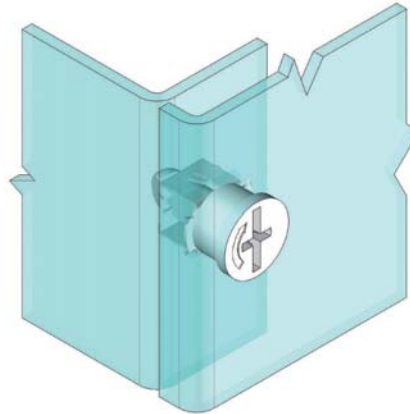
- Provides easy fixing with quarter turn

**MATERIAL**

SCREW: Zinc Alloy DIN-EN 1774-ZnAl4Cu11  
CATCH PLATE : Steel

**FINISH**

Zinc plated



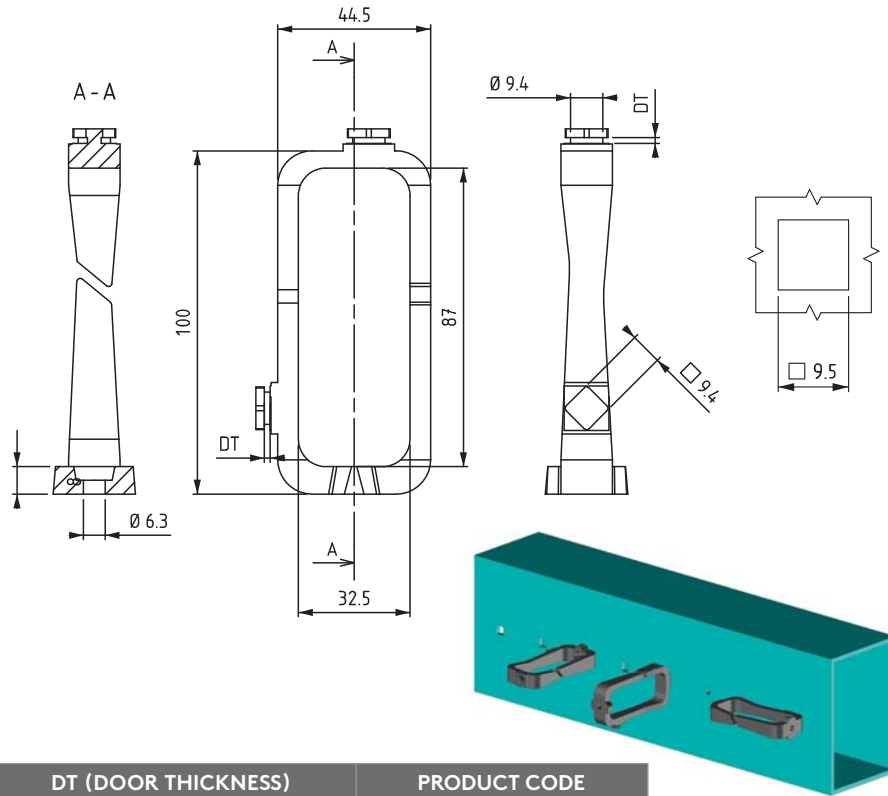


CABLE SHUNTING RING



- Quick fixing in a square hole by turning 45 degrees
- Mounting by M6 Screw as an option
- Install horizontally or vertically

**MATERIAL**  
PA 6 Black



DT (DOOR THICKNESS)	PRODUCT CODE
1.3 - 1.5 mm thickness panel	320.02.164
1.6 - 2.0 mm thickness panel	320.02.165

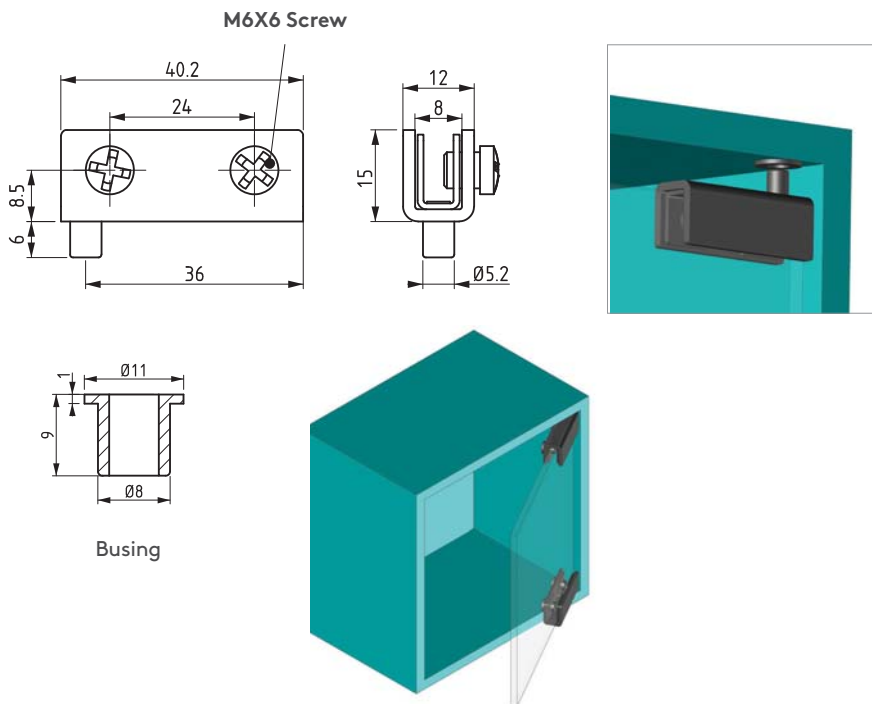
025

GLASS HINGE

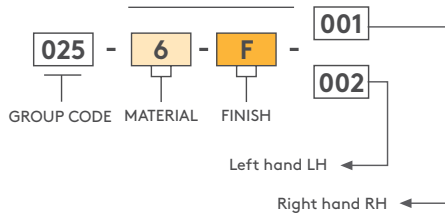


- Suitable for glass thickness max. 6 mm
- The glass is safe from damage between the plastic plates and the steel screw

**MATERIAL**  
Body : Steel  
Screw : Steel  
Busing : Delrin



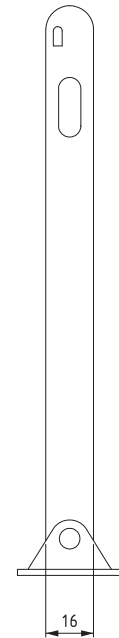
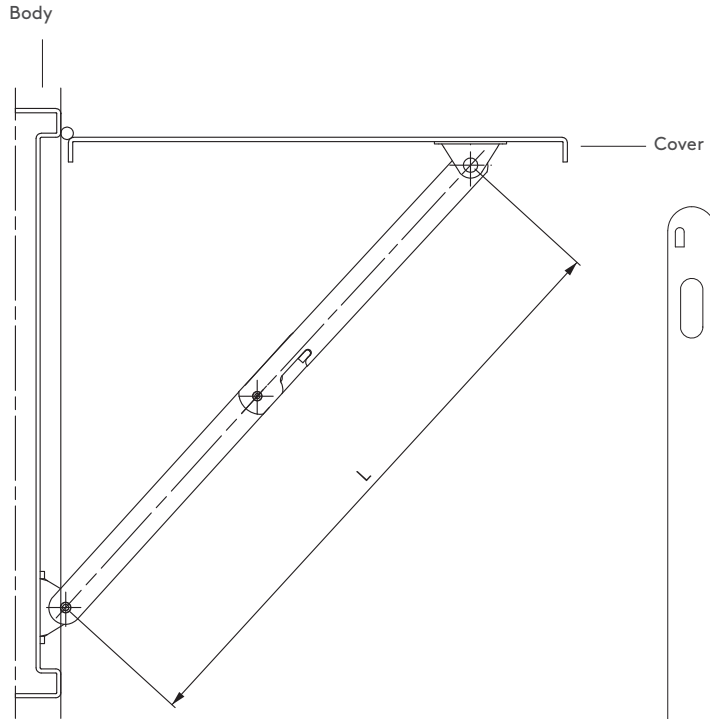
PRODUCT CODE



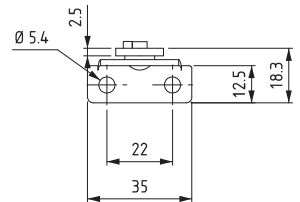
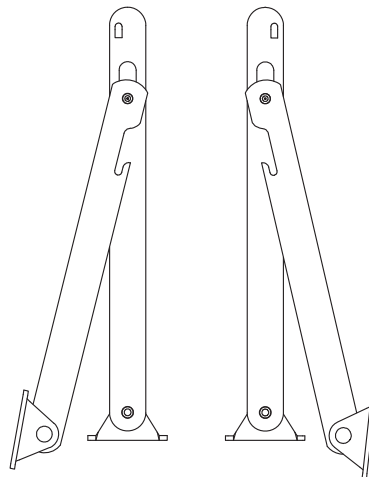
FINISH	F
Nickel	4
Black coated	2

COVER STAY

079



LEFT RIGHT

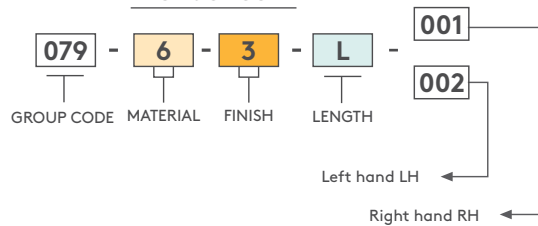


Lmm
292
202
135

**MATERIAL**  
Steel  
**FINISH**  
Zinc plated

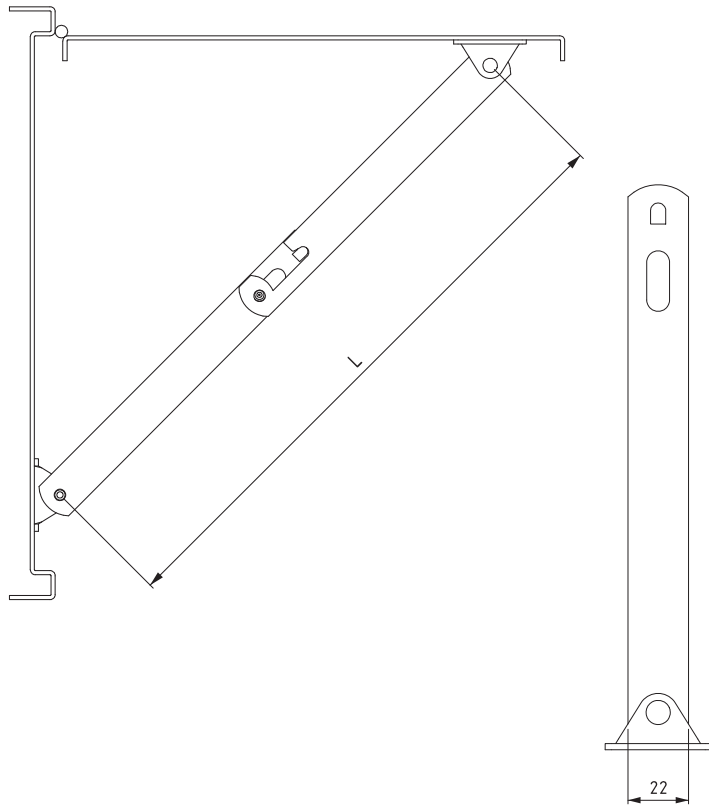
• Stainless steel version: page 520

PRODUCT CODE



279

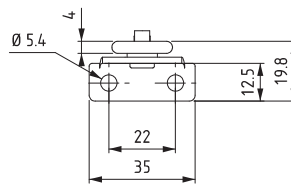
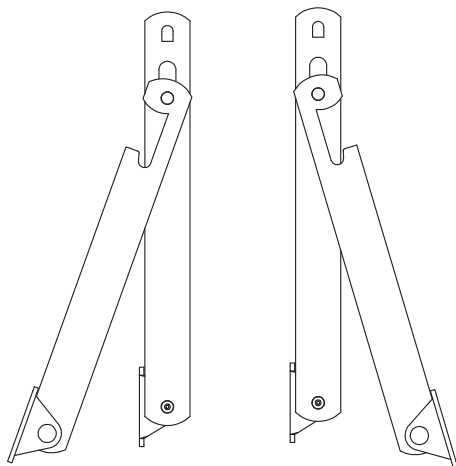
COVER STAY



- Stainless steel version: page 519
- Suitable for heavy-duty applications
- Manufactured using 4 mm thick steel

RIGHT

LEFT

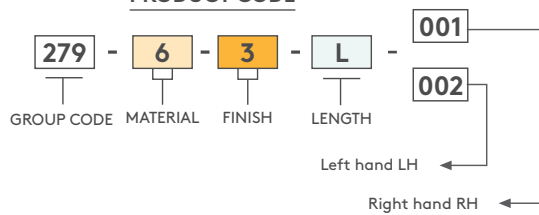


Lmm
292
202
135

**MATERIAL**  
Steel

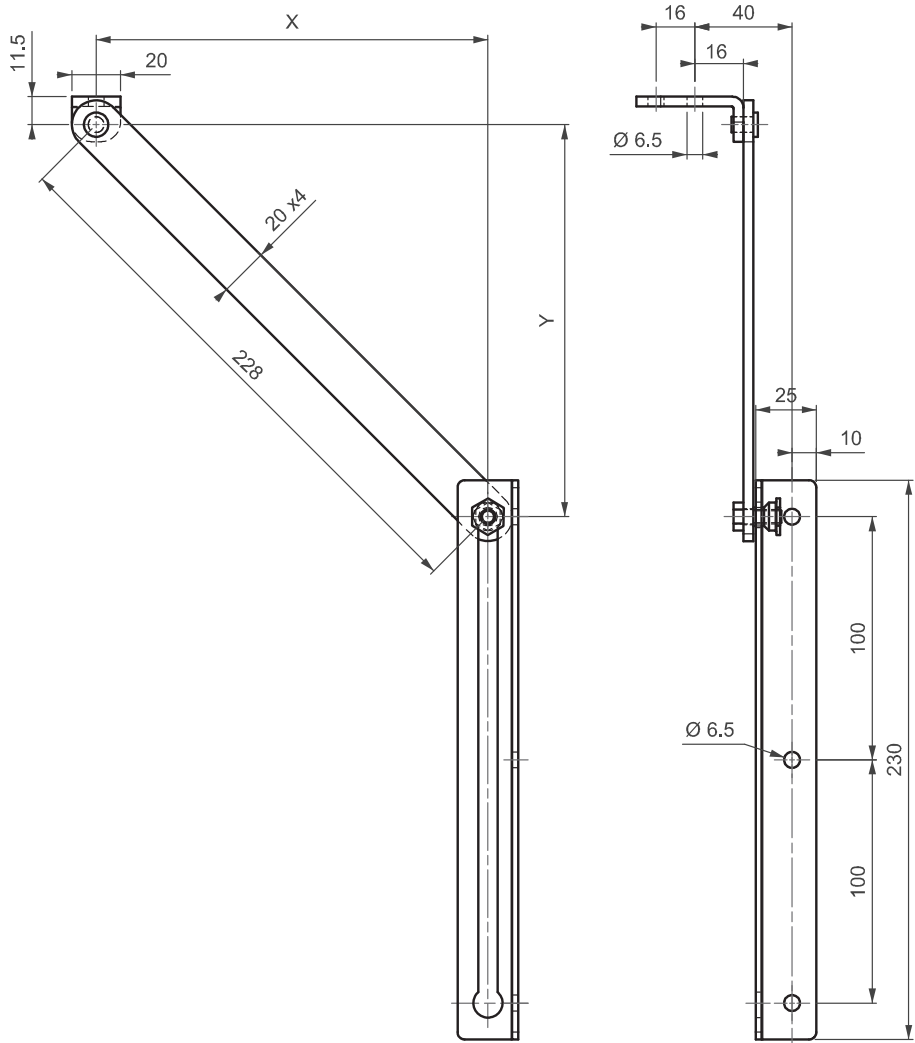
**FINISH**  
Zinc plated

PRODUCT CODE



COVER STAY

179



- Stainless steel version: page 521
- Cover Stay with automatic lock to keep the door open
- LH and RH application is possible

**MATERIAL**

Steel

**FINISH**

Zinc plated

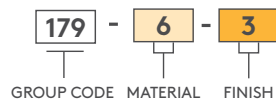
Installation dimensions

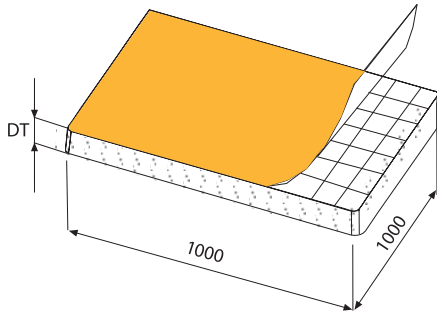
OPENING ANGLE	DIMENSIONS		MINIMAL DOOR WIDTH
	X	Y	
90°	140	180	405
105°	120	166	390
120°	110	150	375
135°	100	146	370

For other configurations:

$y = X + \text{min.}40$

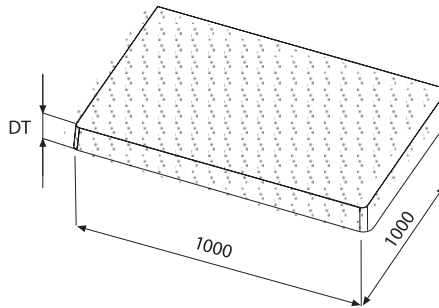
PRODUCT CODE





Self - adhesive

DT MM	PRODUCT CODE
30	340.10.046
40	340.10.047
50	340.10.048



Non - adhesive

DT MM	PRODUCT CODE
30	340.10.066
40	340.10.067
50	340.10.068

ACOUSTIC SPONGE  
(FLAT TYPE)

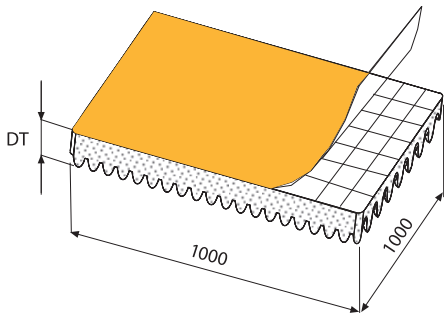


- With or without Adhesive band at back side is available
- Can be supplied as plate or Roll type.
- Provides sound and heat isolation
- Flame retardant properties
- Can be used between -30 , +130 °C
- Please contact Essentra for different sizes

**MATERIAL**  
Polyurethane

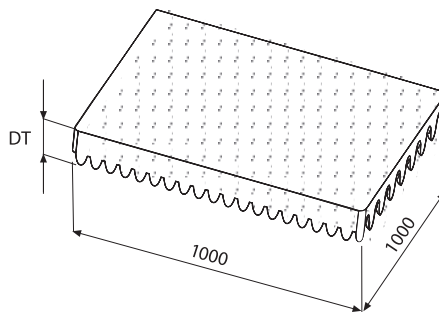
**COLOR**  
Black

ACOUSTIC SPONGE  
(FORMED TYPE)



Self - adhesive

DT MM	PRODUCT CODE
30/15	340.10.006
40/20	340.10.007
50/25	340.10.008



Non - adhesive

DT MM	PRODUCT CODE
30/15	340.10.026
40/20	340.10.027
50/25	340.10.028



- With or without Adhesive band at back side is available
- Can be supplied as plate or Roll type.
- Provides sound and heat isolation
- Flame retardant properties
- Can be used† between -30 , +130 °C
- Please contact Essentra for different sizes

**MATERIAL**  
Polyurethane

**COLOR**  
Black

## ACCESSORIES

### DIAPHRAGM GROMMETS



- For use as a blanking grommet prior to installation of cables
- The membrane is drilled while using as a wire protector
- Produced from NBR rubber
- Suitable for different wire diameters

#### APPLICATIONS

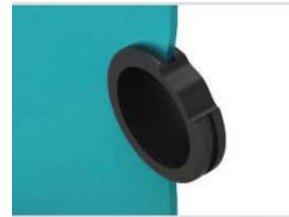
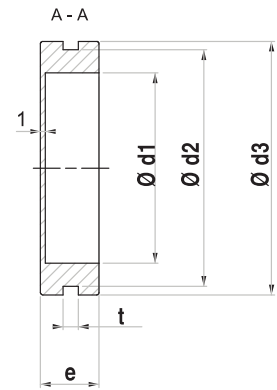
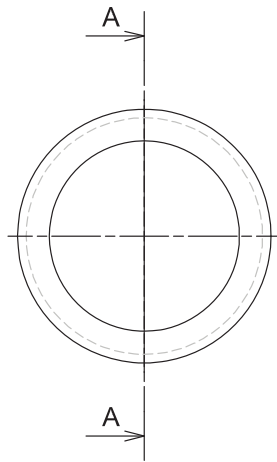
Electric panels

#### MATERIAL

NR Rubber, or TP

#### COLOR

Black



Ø D1 MM	Ø D2 MM	Ø D3 MM	T MM	E MM	PRODUCT CODE
29	36	43	3.5	11.5	340.00.370
39	48.5	52	3.2	12	340.00.371
48.5	57	63.5	3.5	14	340.00.372

### DIAPHRAGM GROMMETS



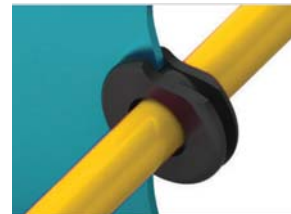
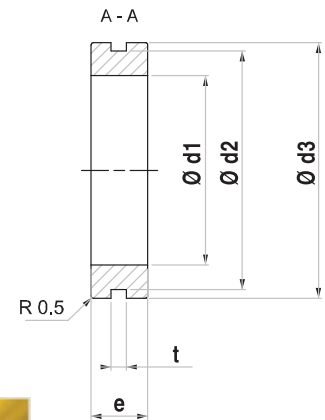
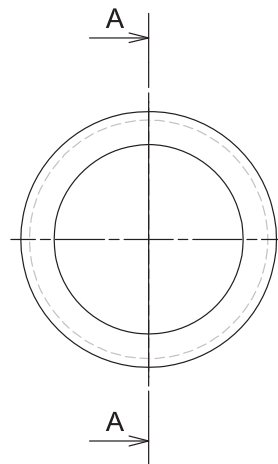
- Used for protecting wires and cables passing through the panel holes.
- Design provides easy fixing of grommet

#### MATERIAL

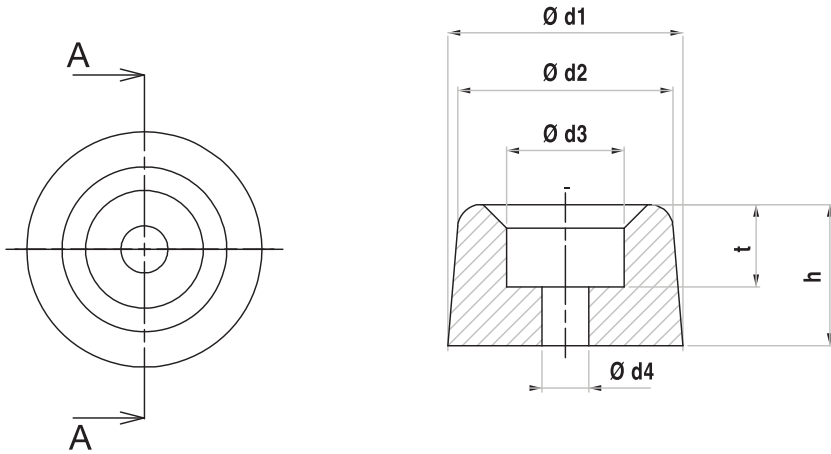
NR Rubber, or TP

#### COLOR

Black



Ø D1 MM	Ø D2 MM	Ø D3 MM	T MM	E MM	PRODUCT CODE
13.5	19.5	27	3.2	8	340.00.380
20	25	30	3.5	11.5	340.00.381
23.5	29	34	3.5	11.5	340.00.382
38.5	48.5	52	3.2	11.5	340.00.383



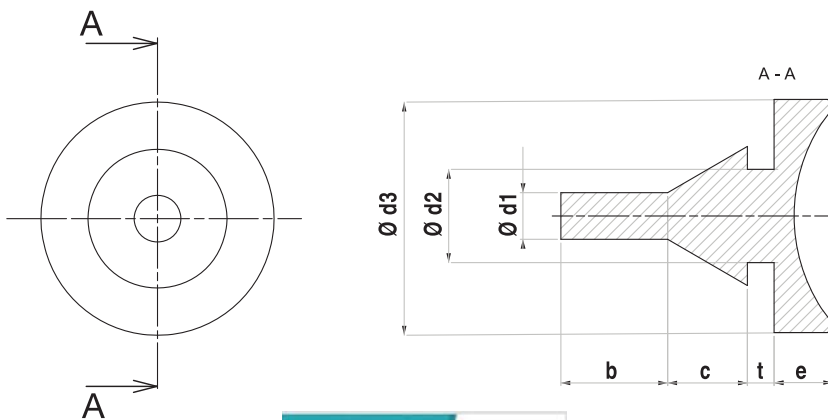
Ø D1 MM	Ø D2 MM	Ø D3 MM	Ø D4 MM	T MM	E MM	PRODUCT CODE
20	18	10	4	7	12	340.08.010
20	19	10	4	8	22.5	340.08.011
30	25	14	4	20	30	340.08.012
40	38	13	6	12	32	340.08.013

RUBBER STOPPER



- Prevents damage to doors
- Design provides easy fixing of grommet.

**MATERIAL**  
NR Rubber, or TP  
**COLOR**  
Black



Ø D1 MM	Ø D2 MM	Ø D3 MM	T MM	B MM	C MM	E MM	PRODUCT CODE
2.5	4	14	2.5	13.5	3.5	8	340.00.400
4	7	17.5	1.5	8.5	6	5	340.00.401
4	7	18	2	8.5	6	6	340.00.402

RUBBER PLUG



- For use as a blanking grommet prior to installation of cables
- Suitable for different sheet thickness and diameters
- Design provides easy fixing

**MATERIAL**  
NR Rubber, or TP  
**COLOR**  
Black



DOOR HOLDBACK

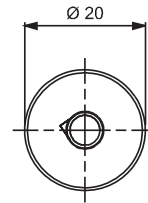
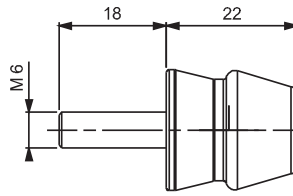
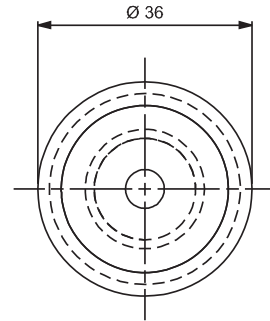
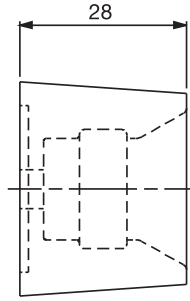
340.08.001



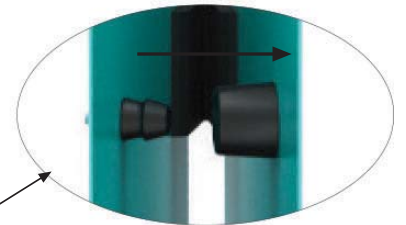
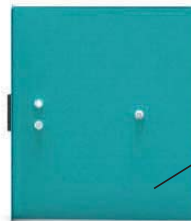
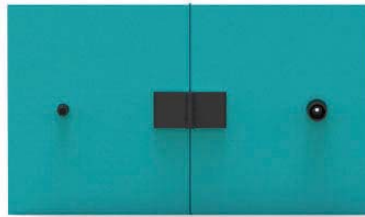
- Provides good shock absorbing properties while the door contacts with frame of the cabinet
- Keeps the door at open position and can be used instead of cover stays
- Suitable for outdoor cabinets with high corrosion resistance

**MATERIAL**  
NBR Rubber

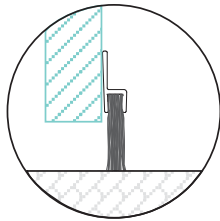
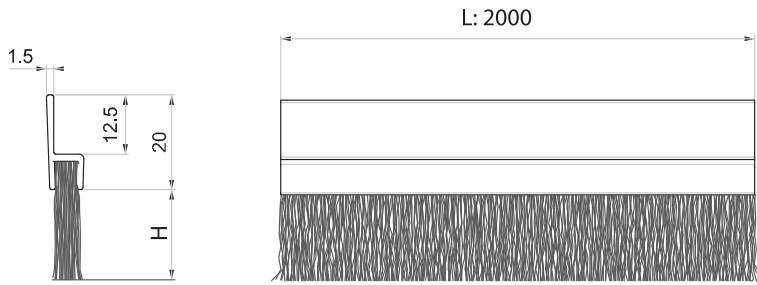
**COLOR**  
Black



Cover                      Body



DOOR BOTTOM BRUSHES  
(Screw type)

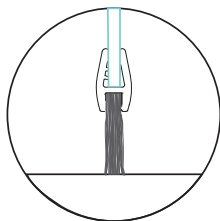
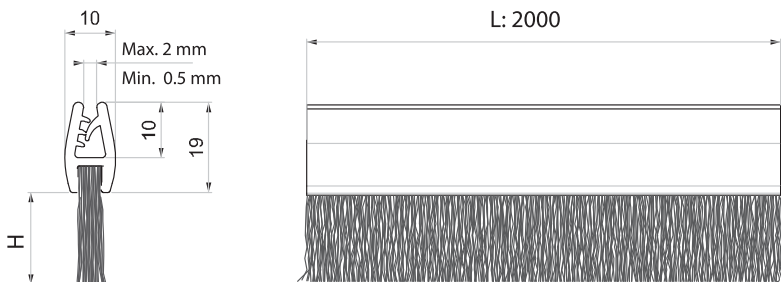


H MM	PRODUCT CODE
40	340.20.005
50	340.20.006
60	340.20.007
70	340.20.008
80	340.20.009
90	340.20.010
100	340.20.011

- Can be fixed with screw
- Fixing plate is made of Aluminium
- Do not allow dust to go through the cabinets
- Please contact Essentra for different sizes

**MATERIAL**  
BODY : Aluminium

DOOR BOTTOM BRUSHES  
(plug-in type)



H MM	PRODUCT CODE
40	340.20.025
50	340.20.026
60	340.20.027
70	340.20.028
80	340.20.029
90	340.20.030
100	340.20.031

- Can be fixed by plugging in to the door
- Do not allow dust to go through the cabinets
- Please contact Essentra for different sizes

**MATERIAL**  
BODY : Plastic

# STAINLESS STEEL PRODUCTS



GROUP CODE	PRODUCT NAME
401	SWINGHANDLE
501	SWINGHANDLE
502	SWING HANDLE – GEAR BOX
402	SWING HANDLE – GEAR BOX
103	THREE-POINT LOCK – T HANDLE
103	THREE-POINT LOCK – L HANDLE
	ROUND - FLAT RODS AND ACCESSORIES
016	PUSH-TO-CLOSE LATCH
416	PUSH-TO-CLOSE LATCH
315	T HANDLE HEAVY-DUTY LATCH
115	T HANDLE HEAVY-DUTY LATCH
060	QUARTER TURN WITH SPRING
066	MINI-QUARTER TURN WITH SPRING
064	QUARTER TURN WITH SPRING
140	MINI COMPRESSION LATCH
1060	QUARTER TURN SPRING LOADED
040	COMPRESSION LATCH
540	COMPRESSION LATCH
440	HYGIENIC COMPRESSION LATCH
460	ANTI CONTAMINATION LATCH
045	COMPRESSION - SPRING LATCH
211	PADLOCKABLE - 'L' HANDLE
562	PADLOCKABLE WING KNOB
110	QUARTER TURN – T HANDLE
111	QUARTER TURN – L HANDLE
065	QUARTER TURN – WING KNOB
265	PADLOCKABLE WING KNOB
860	QUARTER TURN LATCH
042	SCREW LATCH
276	SAFETY LATCH
295	CONCEALED HINGE
395	CONCEALED HINGE
695	CONCEALED HINGE
795	CONCEALED HINGE
289	CONCEALED HINGE
095	CONCEALED HINGE
995	CONCEALED HINGE
1995	CONCEALED HINGE
097	CORNER HINGE
3599	LIFT-OFF HINGE
1293	LIFT-OFF HINGE
4299	LIFT-OFF HINGE
1299	MINI LEAF HINGE
600	LEAF HINGE
3299	LIFT-OFF HINGE
3099	LIFT-OFF HINGE
3399	LIFT-OFF HINGE
299	LEAF HINGE
099	LEAF HINGE
399	LEAF HINGE
599	LEAF HINGE
799	LEAF HINGE
1599	LEAF HINGE
899	LEAF HINGE
999	LEAF HINGE
2999	LEAF HINGE
2890	CONCEALED HINGE
090	SIDE HINGE (10 MM)
092	SIDE HINGE (12 MM)
192	SIDE HINGE (12 MM)
193	SIDE HINGE (16 MM)
340.00.132	TOGGLE LATCH
340.00.134	TOGGLE LATCH
279	COVER STAY
079	COVER STAY
179	COVER STAY



PAGE

452  
453  
454 - 455  
456 - 467  
458  
459  
460 - 461  
462  
463  
464  
465  
466  
466  
467  
468  
469  
470 - 471  
472 - 473  
474 - 475  
476  
477  
478  
479  
480  
481  
482  
483  
484  
485  
485  
486 - 487  
488 - 489  
490 - 491  
492  
493  
494  
495,497  
496  
498  
499  
500  
501  
502  
502  
503  
503  
503  
504  
504, 506  
505, 507  
508  
509  
510 - 511  
512  
513  
514  
515  
516  
516  
517  
517  
518  
518  
519  
520  
521



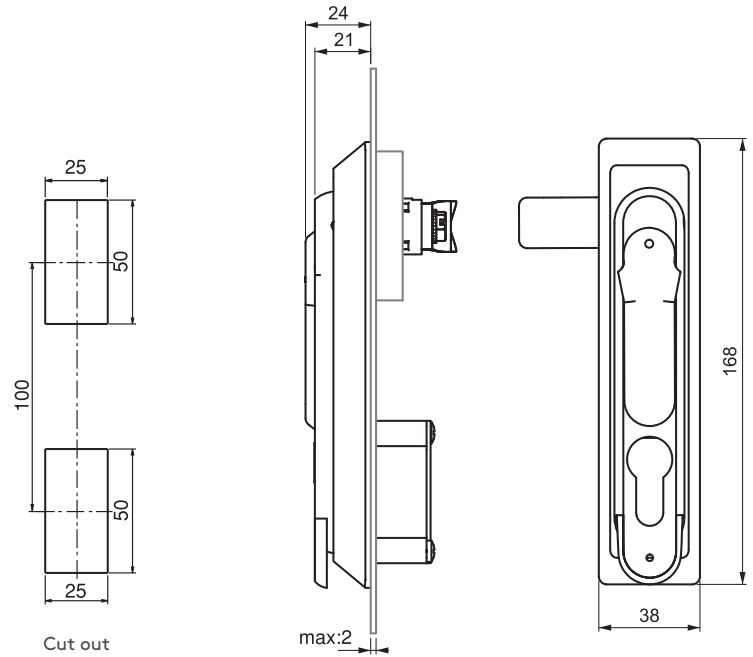
# STAINLESS STEEL PRODUCTS

## SWINGHANDLE

401

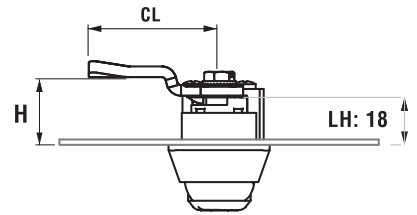


- RoHS
- 
- 
- IP 65  
NEMA 4
- 
- 



Cut out

max:2

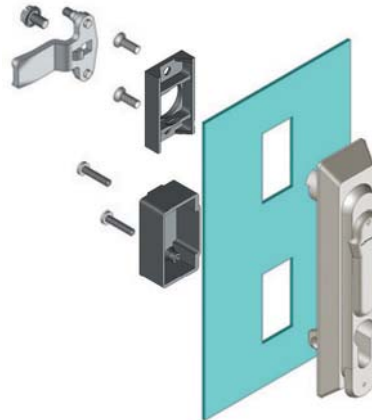


### APPLICATIONS

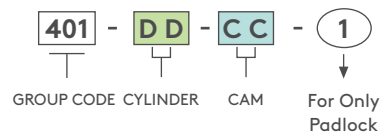
Electric panels, outdoor cabinets

### MATERIAL

- BODY: Stainless Steel (AISI 316)
- HANDLE: Stainless Steel (AISI 316)
- CAM: Stainless Steel
- GASKET: Polyurethane



### PRODUCT CODE



BRASS CYLINDER		DD
	No cylinder	00
	Keyed alike	11

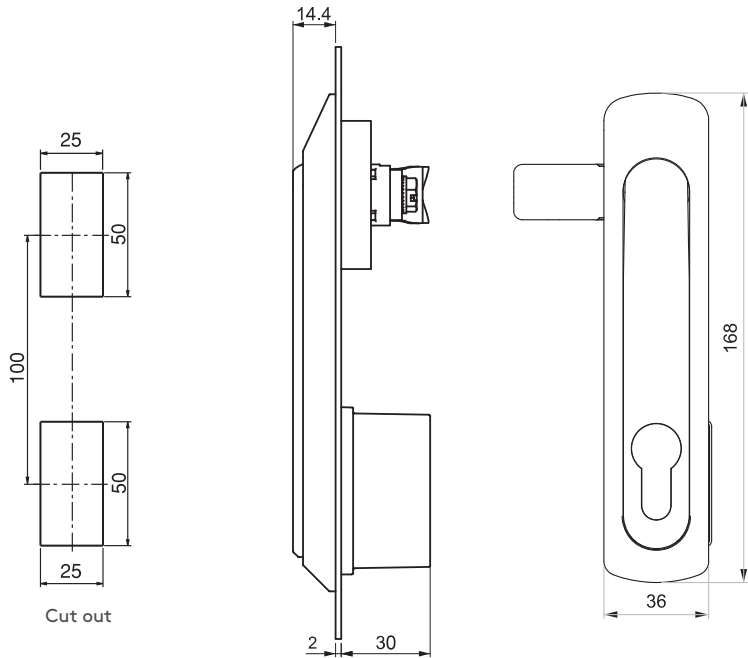
For cams please check page: 174

For rods please check page: 178 or 460

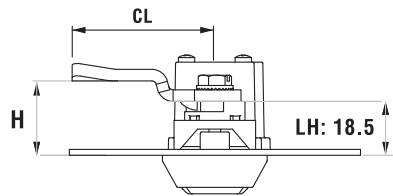
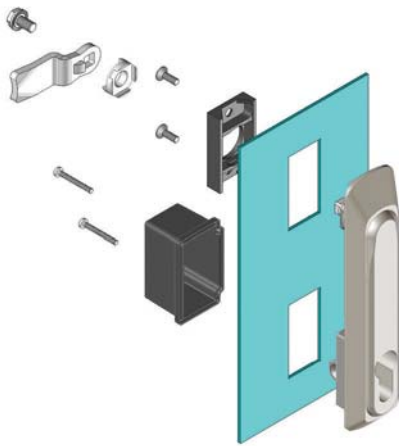


501

SWINGHANDLE



- RoHS
- 
- 
- 

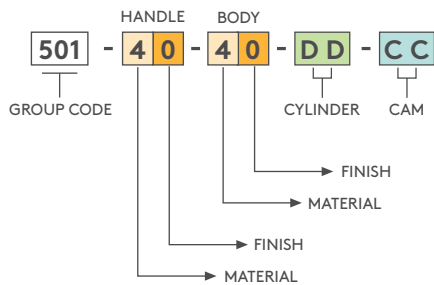


APPLICATIONS

Electric panels, outdoor cabinets

MATERIAL

- BODY: Stainless Steel (AISI 316)
- HANDLE: Stainless Steel (AISI 316)
- CAM: Stainless Steel
- GASKET: Polyurethane



BRASS CYLINDER		DD
	No cylinder	00
	Keyed alike	11

For other materials please check: page 20

- For cams please check page: 174
- For rods please check page: 178 or 460

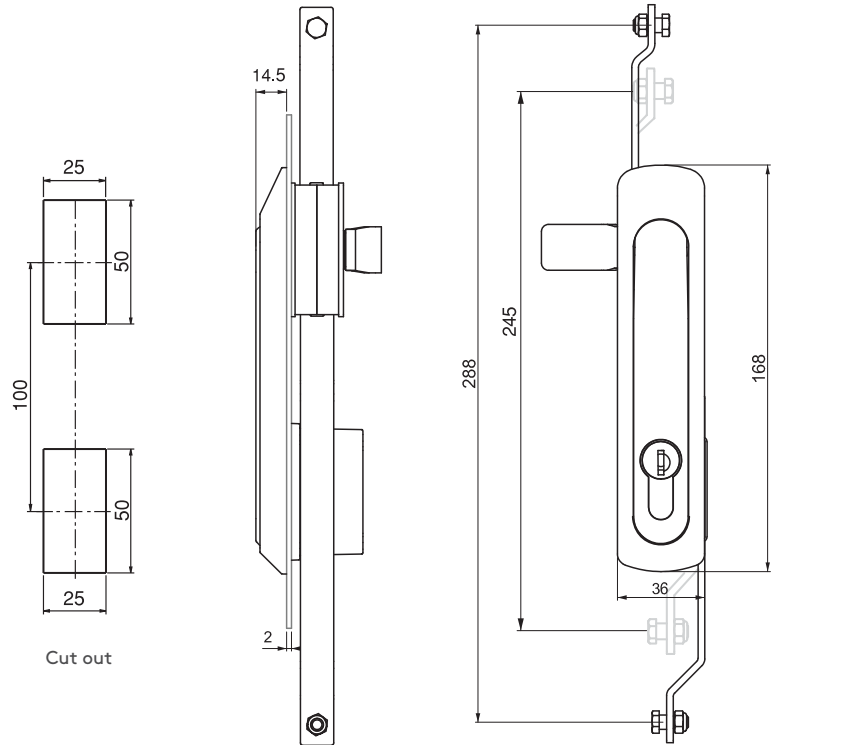
# STAINLESS STEEL PRODUCTS

## SWINGHANDLE GEAR BOX

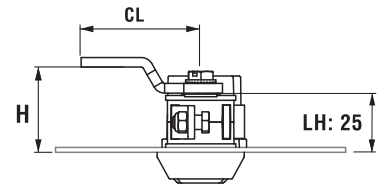
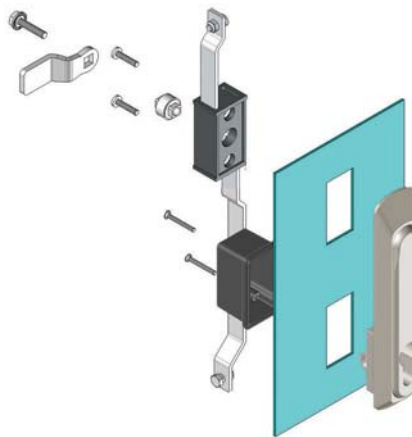
502



- RoHS
- 
- 
- IP 65  
NEMA 4
- 
- 



Cut out



- Thin external profile (14.4 mm) for flush appearance
- High-security, brass, Euro Profile single cylinder available

### APPLICATIONS

Electric panels, outdoor cabinets

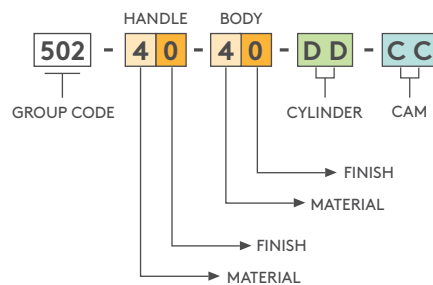
### MATERIAL

- BODY: Stainless Steel (AISI 316)
- HANDLE: Stainless Steel (AISI 316)
- MECHANISM: PA6 GFR 30
- CAM: Stainless Steel
- GASKET: Polyurethane

For other materials please check: page 50

For cams please check page: 174

For rods please check page: 178 or 460




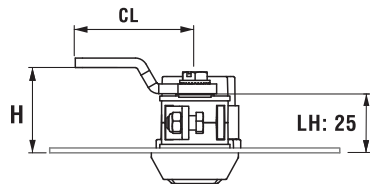
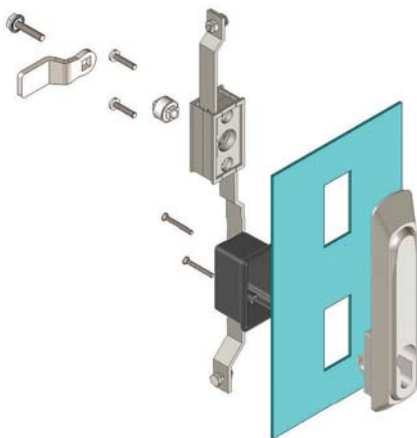
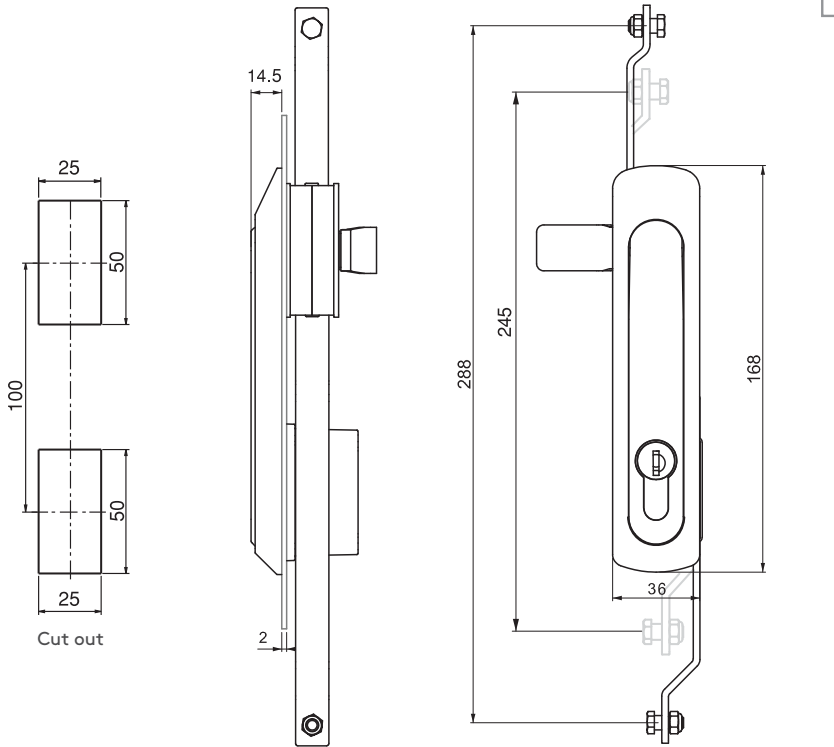
BRASS CYLINDER		DD
	No cylinder	00
	Keyed alike	11

502

SWINGHANDLE GEAR BOX

STAINLESS STEEL

-  RoHS
- 
- 
-  IP 65  
NEMA 4
- 
- 



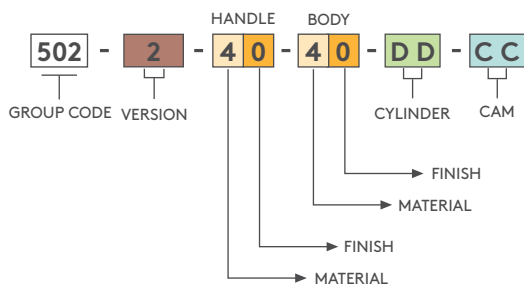
- Thin external profile (14.4 mm) for flush appearance
- High-security, brass, Euro Profile single cylinder available


APPLICATIONS

Electric panels, outdoor cabinets



MATERIAL

BODY: Stainless Steel (AISI 316)  
 HANDLE: Stainless Steel (AISI 316)  
 MECHANISM: Stainless Steel  
 CAM: Stainless Steel  
 GASKET: Polyurethane



BRASS CYLINDER		DD
	No cylinder	00
	Keyed alike	11

For other materials please check: page 50

-  For cams please check page: 174
-  For rods please check page: 178 or 460



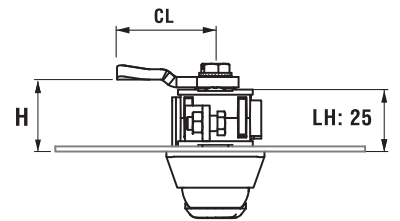
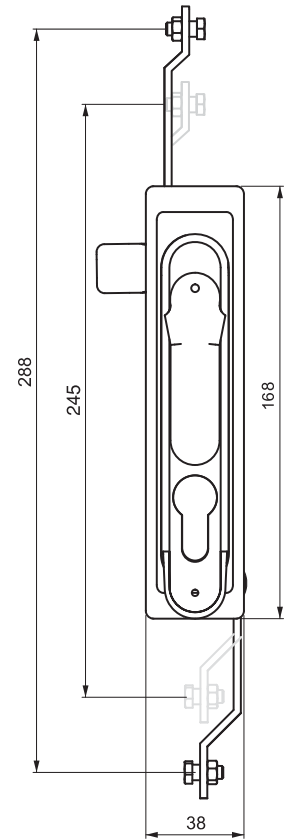
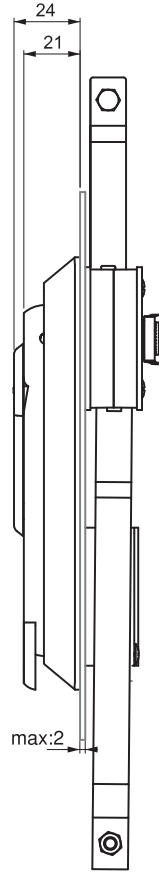
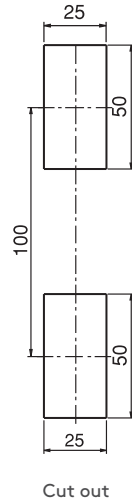
# STAINLESS STEEL PRODUCTS

## SWINGHANDLE GEAR BOX

402



- RoHS
- 
- 
- IP 65  
NEMA 4
- 
- 

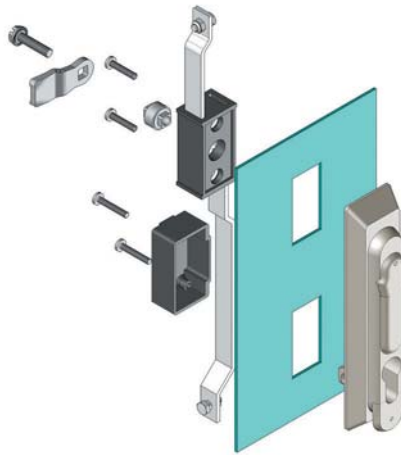


### APPLICATIONS

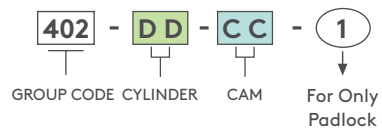
Electric panels, outdoor cabinets

### MATERIAL

- BODY: Stainless Steel (AISI 316)
- HANDLE: Stainless Steel (AISI 316)
- MECHANISM: PA6 GFR 30
- CAM: Stainless Steel
- GASKET: Polyurethane



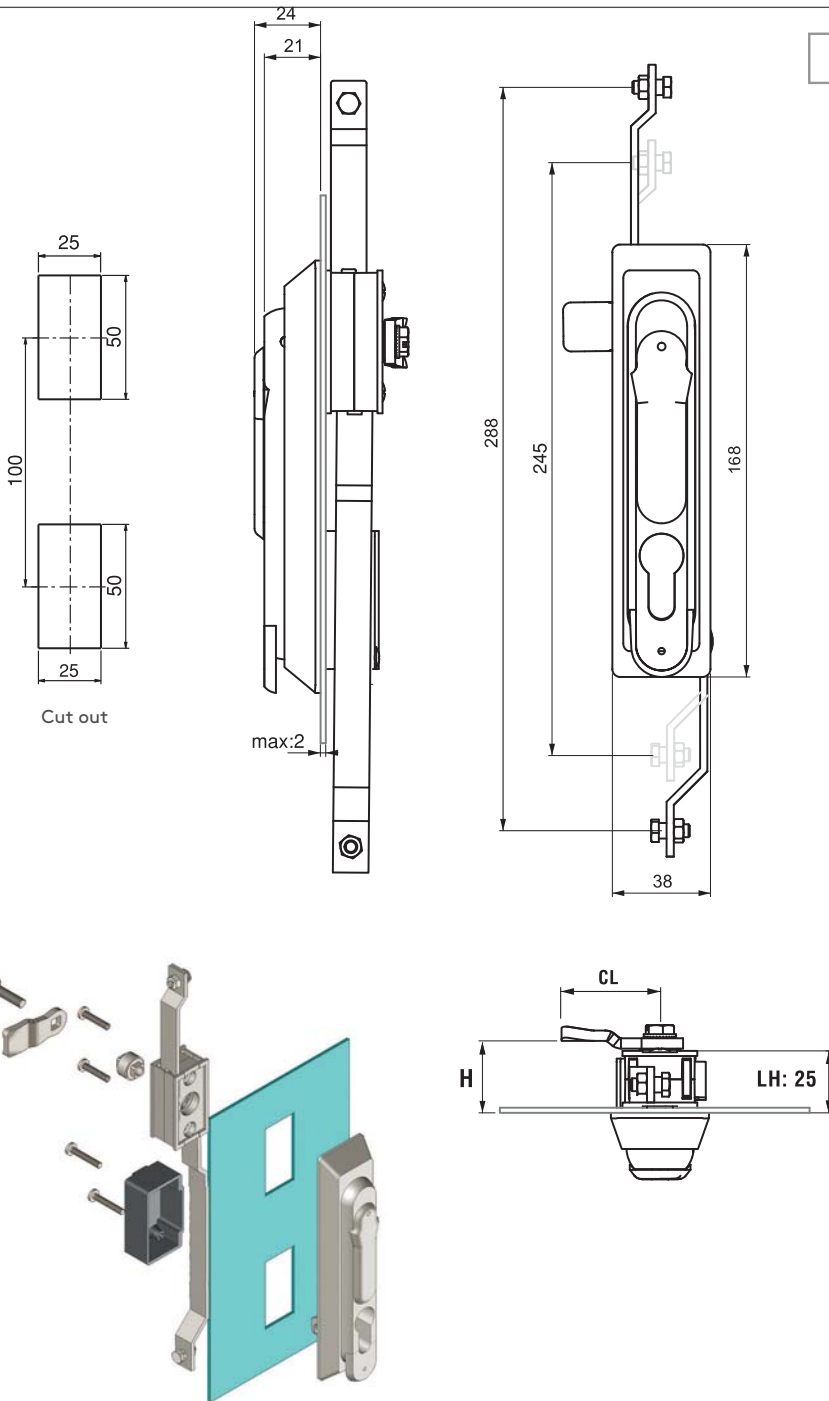
### PRODUCT CODE



For cams please check page: 174

For rods please check page: 178 or 460

BRASS CYLINDER		DD
	No cylinder	00
	Keyed alike	11



402

SWINGHANDLE GEAR BOX

STAINLESS STEEL

- RoHS
- 
- 
- 
- 



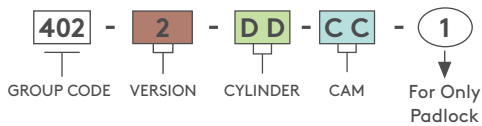
APPLICATIONS

Electric panels, outdoor cabinets

MATERIAL

- BODY: Stainless Steel (AISI 316)
- HANDLE: Stainless Steel (AISI 316)
- MECHANISM: Stainless Steel
- CAM: Stainless Steel
- GASKET: Polyurethane

PRODUCT CODE



BRASS CYLINDER		DD
	No cylinder	00
	Keyed alike	11

For cams please check page: 174  
 For rods please check page: 178 or 460

# STAINLESS STEEL PRODUCTS

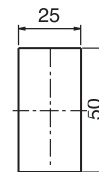
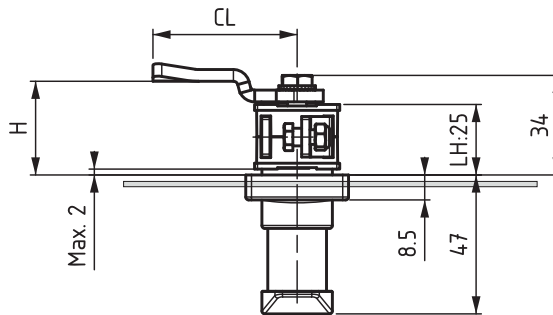
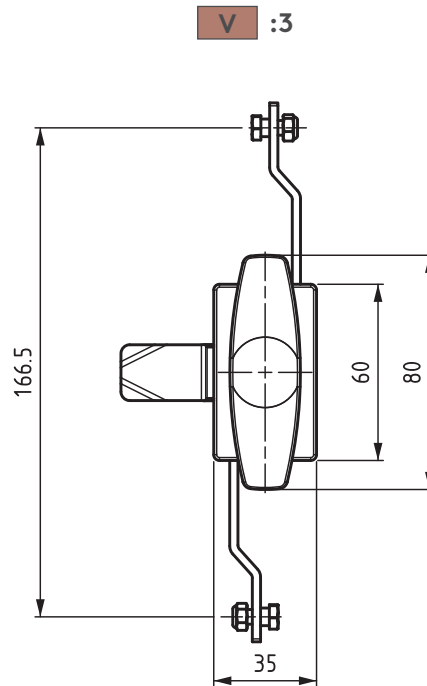
## THREE POINT LOCK - T HANDLE

103

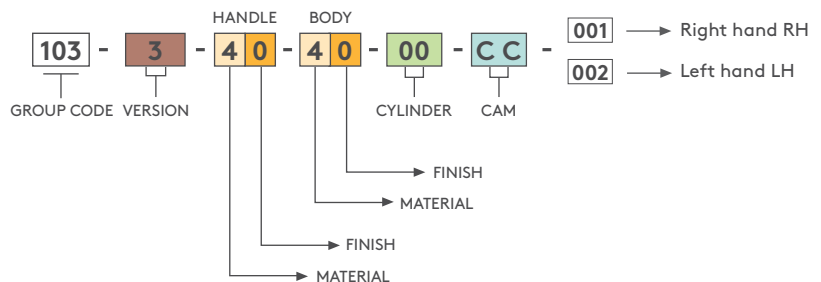


**MATERIAL**

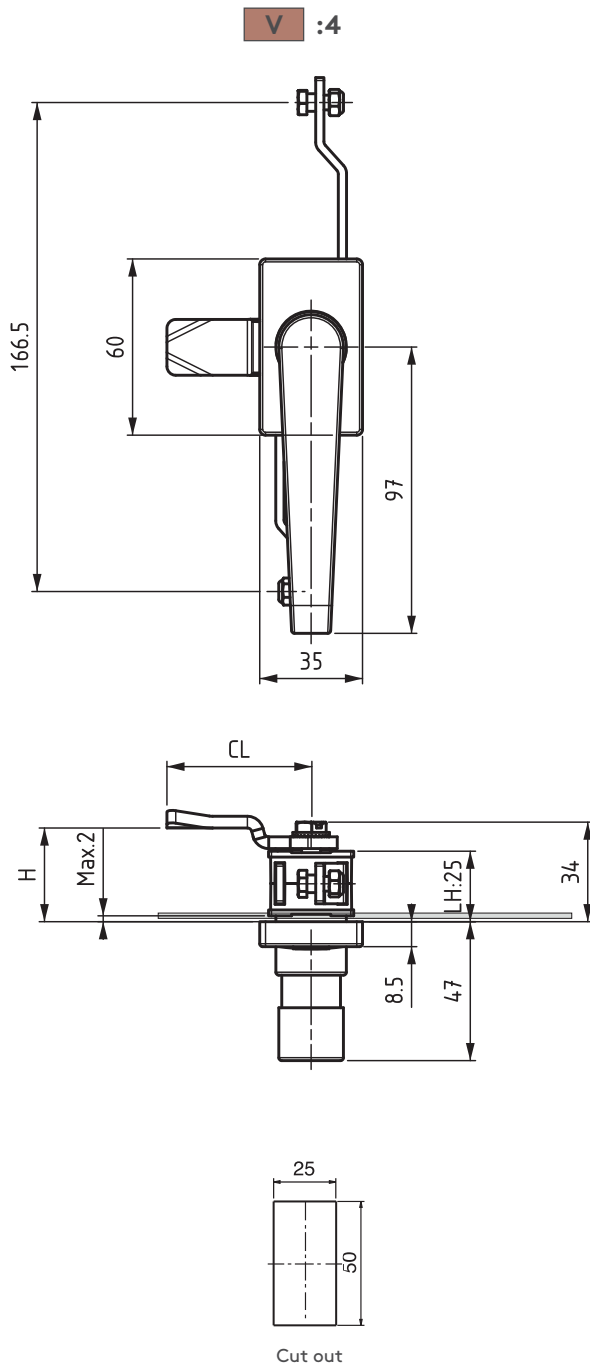
BODY: Stainless Steel  
 HANDLE: Stainless Steel  
 MECHANISM: Zinc Only DIN-EN 1774-ZnAl4Cu1  
 CAM: Stainless Steel  
 GASKET: Polyurethane



Cut out



For cams please check page: 174  
 For rods please check page: 178 or 460



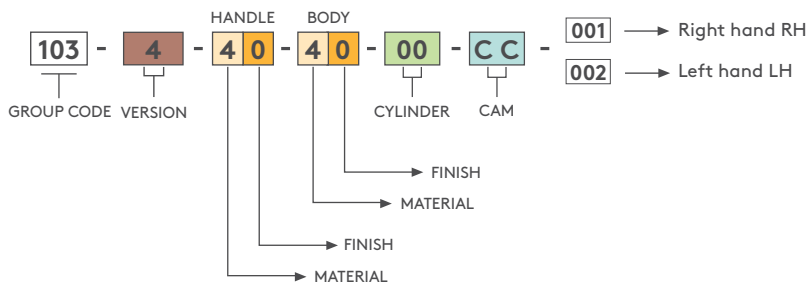
103

THREE POINT LOCK – L HANDLE



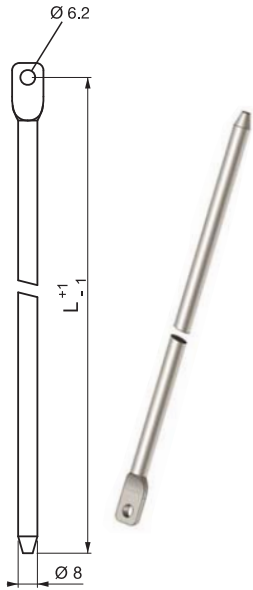
**MATERIAL**

BODY: Stainless Steel  
 HANDLE: Stainless Steel  
 MECHANISM: Zinc Only DIN-EN 1774-ZnAl4Cu1  
 CAM: Stainless Steel  
 GASKET: Polyurethane



For cams please check page: 174  
 For rods please check page: 178 or 460

# STAINLESS STEEL PRODUCTS



**V :1**

L MM	PRODUCT CODE
400	IC 4-0-1-400
500	IC 4-0-1-500
600	IC 4-0-1-600
700	IC 4-0-1-700
800	IC 4-0-1-800
900	IC 4-0-1-900
1000	IC 4-0-1-1000

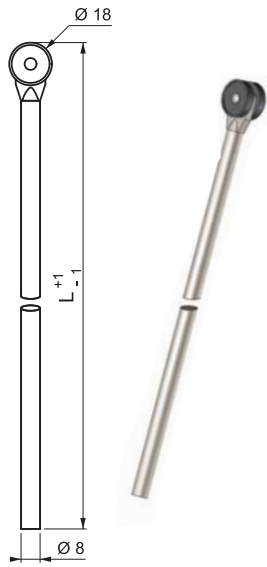
**APPLICATION:**

- With gear-box locks
- Locks with three-point cam



**ACCESSORIES:**

- Round-rod guide (CY)

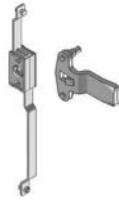


**V :2**

L MM	PRODUCT CODE
400	IC 4-0-2-400
500	IC 4-0-2-500
600	IC 4-0-2-600
700	IC 4-0-2-700
800	IC 4-0-2-800
900	IC 4-0-2-900
1000	IC 4-0-2-1000

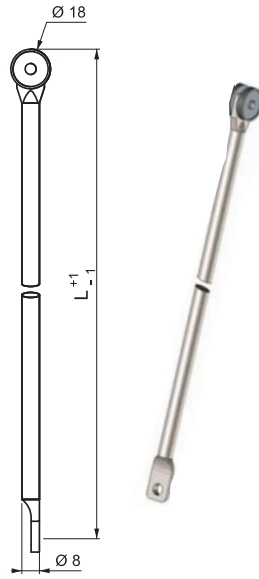
**APPLICATION:**

- With gear-box locks
- Locks with three-point cam



**ACCESSORIES:**

- Round-rod guide (CY)
- Rod adapter (CT)



**V :3**

L MM	PRODUCT CODE
400	IC 4-0-3-400
500	IC 4-0-3-500
600	IC 4-0-3-600
700	IC 4-0-3-700
800	IC 4-0-3-800
900	IC 4-0-3-900
1000	IC 4-0-3-1000

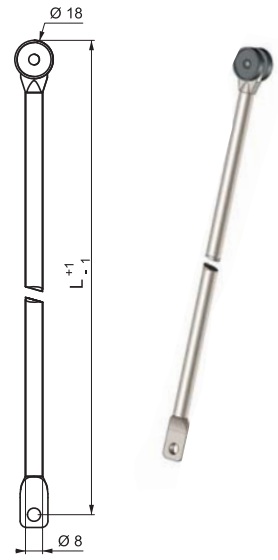
**APPLICATION:**

- Locks with three-point cam



**ACCESSORIES:**

- Round-rod guide (CY)



**V :4**

L MM	PRODUCT CODE
400	IC 4-0-4-400
500	IC 4-0-4-500
600	IC 4-0-4-600
700	IC 4-0-4-700
800	IC 4-0-4-800
900	IC 4-0-4-900
1000	IC 4-0-4-1000

**APPLICATION:**

- With gear-box locks



**ACCESSORIES:**

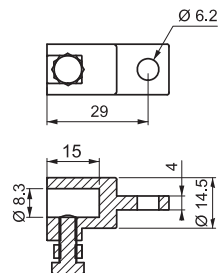
- Round-rod guide (CY)

For other materials please check: pages 152 and 153

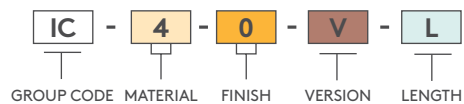
**CT.4.0**



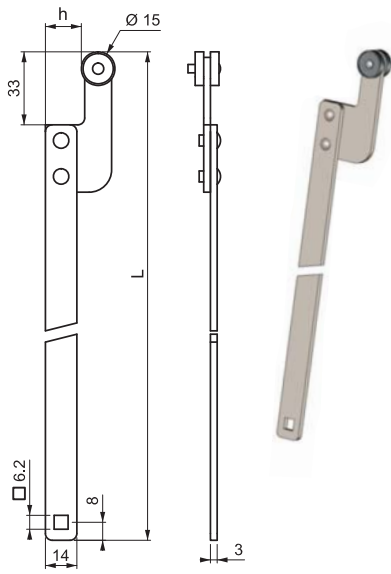
Rod adapter



**PRODUCT CODE**



For different 'L' Lengths, please contact us



V :1

H MM	L MM	PRODUCT CODE
27	1020	IL 4-0-1-27-1020
13	1020	IL 4-0-1-13-1020

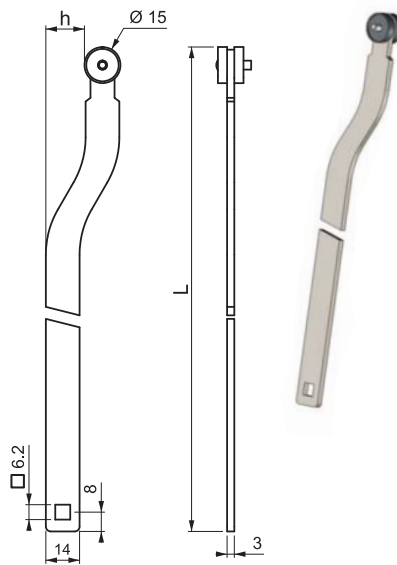
**APPLICATION:**

- With gear-box locks



**ACCESSORIES:**

- Flat-rod guide (LY)



V :2

H MM	L MM	PRODUCT CODE
21	1020	IL 4-0- 2-21-1020
16	1020	IL 4-0- 2-16-1020

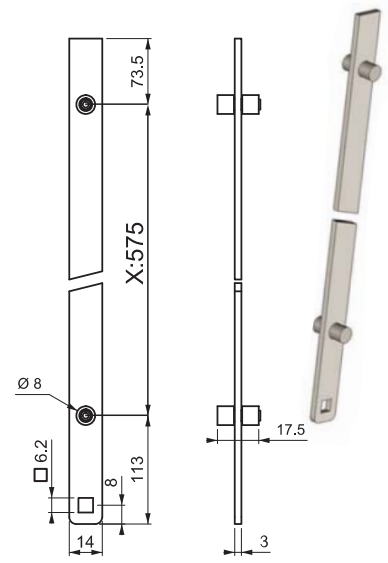
**APPLICATION:**

- With gear-box locks



**ACCESSORIES:**

- Flat-rod guide (LY)



V :3

X MM	PRODUCT CODE
575	ILP 4-0-1-575

**APPLICATION:**

- With gear-box locks

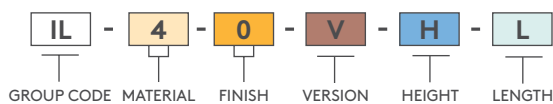


**ACCESSORIES:**

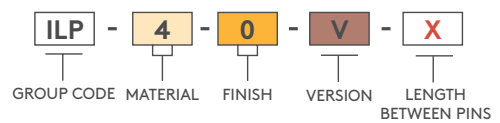
- Flat-rod guide (LY)
- Dual roller catcher (LKY)

For other materials please check: page 161

**PRODUCT CODE**



**PRODUCT CODE**



For different 'L' Lengths, please contact us

# STAINLESS STEEL PRODUCTS

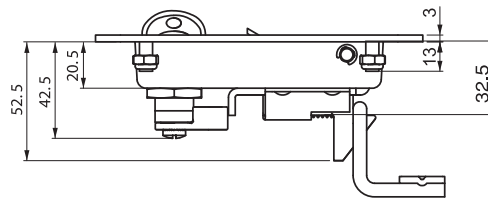
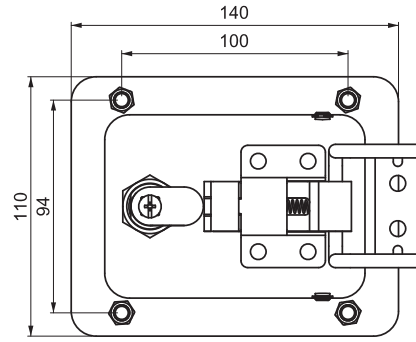
## PUSH-TO-CLOSE LATCH

016



- Slam-shut operation; brass cam
- Can be opened from inside by moving cam

**MATERIAL**  
Stainless Steel (AISI 304)



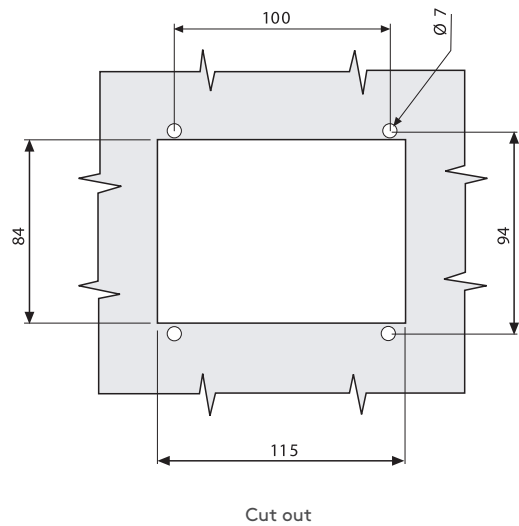
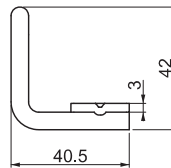
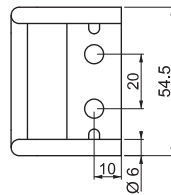
## CAM STRIKING PLATE

016 A740

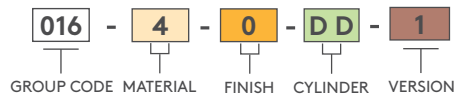


- Striking plate. Custom sizes available

**MATERIAL**  
Stainless Steel (AISI 304)



### PRODUCT CODE



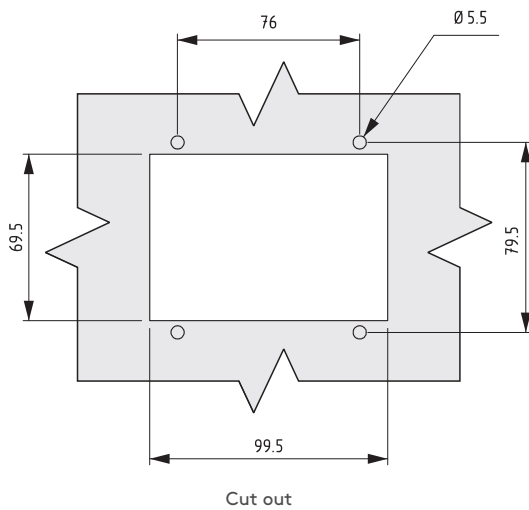
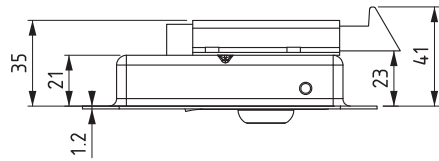
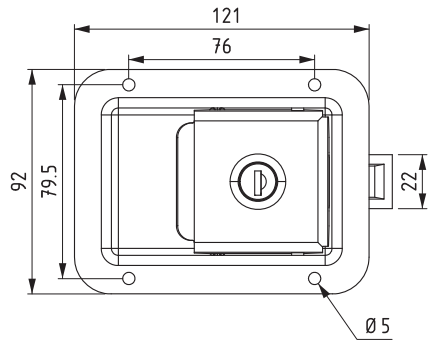
SPECIFICATIONS		DD
Stainless steel dust cap keyed alike		03
Stainless steel dust cap Keyed differ		32

For other materials please check:  
page 96

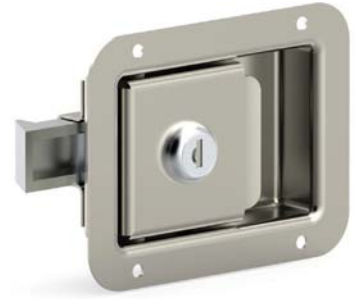


416

PUSH-TO-CLOSE LATCH



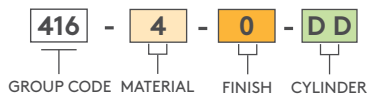
- RoHS
- 



- Slam-shut operation
- Can be opened from inside by moving cam

**MATERIAL**  
Stainless Steel (AISI 304)

PRODUCT CODE



SPECIFICATIONS	DD
Stainless steel dust cap keyed alike	03
Stainless steel dust cap Keyed differ	32



# STAINLESS STEEL PRODUCTS

## T HANDLE HEAVY-DUTY LATCH

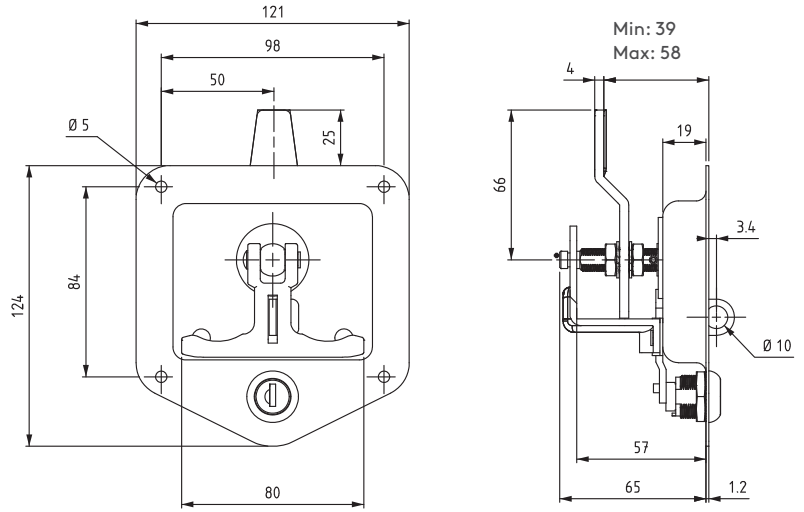
315



RoHS



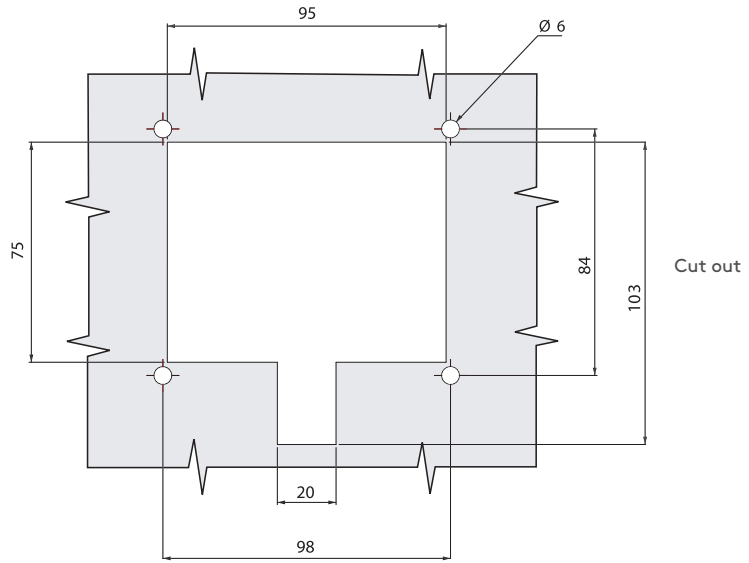
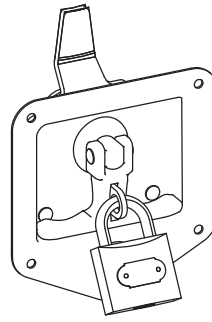
IP 54  
NEMA 3



- Suitable for special equipment cases
- Adjustable cam for wide grip range
- Maximum padlock shackle diameter 9 mm

### MATERIAL

BODY: Stainless steel  
 HANDLE: Zinc Only DIN-EN 1774-ZnAl4Cu1  
 PADLOCK HASP: Stainless steel  
 CAM: Steel



### PRODUCT CODE

315 - 4 - 0 - 03

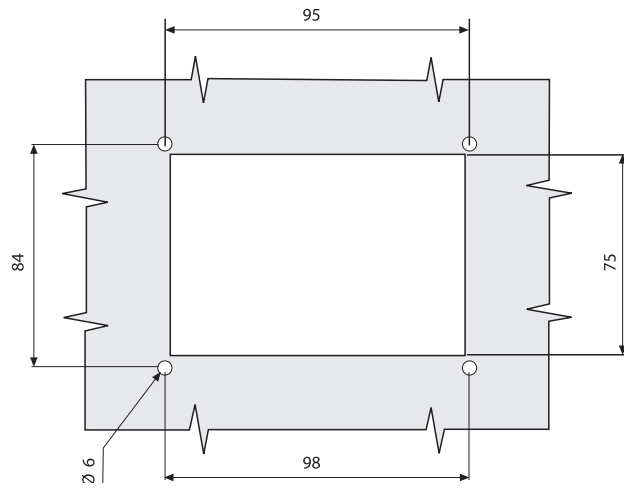
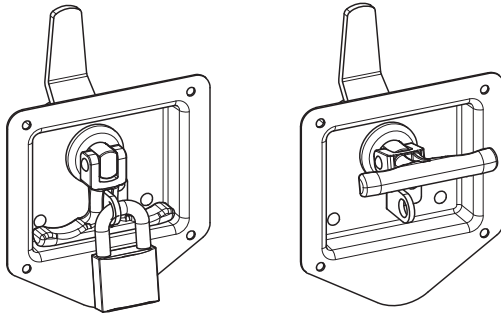
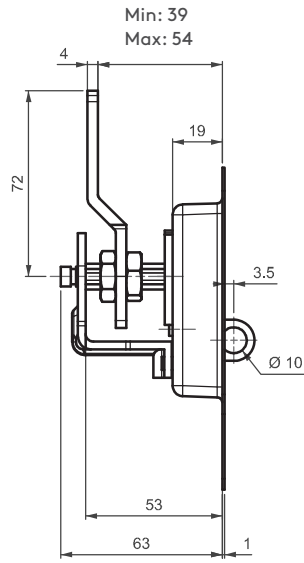
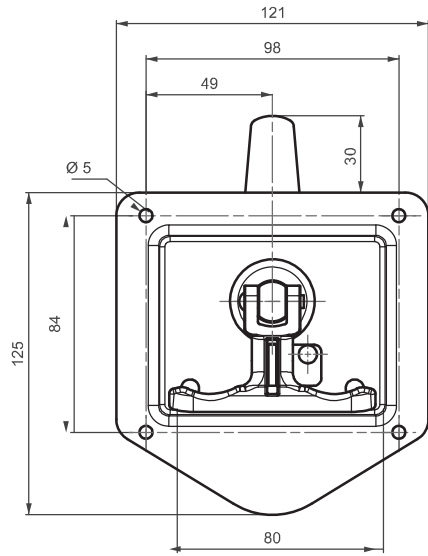
GROUP CODE MATERIAL FINISH CYLINDER

### SPECIFICATIONS

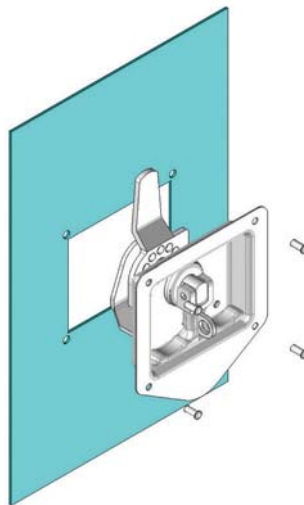
Stainless steel dust cap keyed alike

DD

03



Cut out



115

T HANDLE  
HEAVY-DUTY LATCH



- Suitable for special equipment cases
- Adjustable cam for different grip range
- Maximum padlock shackle diameter 9 mm

**MATERIAL**

BODY: Stainless Steel  
HANDLE: Zinc Only DIN-EN 1774-ZnAl4Cu1  
CAM: Steel

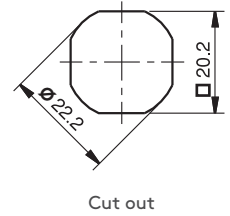
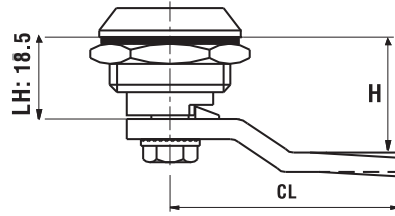
**PRODUCT CODE**

115 - 4 - 0  
GROUP CODE MATERIAL FINISH

# STAINLESS STEEL PRODUCTS

## QUARTER TURN – SPRING LOADED

060



Cut out

- Specially designed internal spring provides 1.5 mm of compression
- IP 66 (Nema 4), optional

### MATERIAL

Stainless Steel (AISI 3.....)

**Note:** For different drivers please contact Essentra Components

For cams please check page: 174

For keys please check pages: 189 - 191

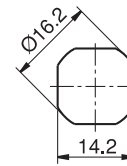
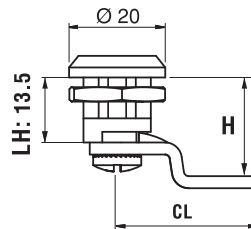
3 mm Double bit		5 mm Double bit		8 mm Square		7 mm Triangular		8 mm Triangular		Railway	
DD		DD		DD		DD		DD		DD	
13		15		28		37		38		88	

### PRODUCT CODE



## MINI QUARTER TURN – SPRING LOADED

066



Cut out

- Specially designed internal spring provides 1 mm of compression
- Sealing washer not supplied
- There is no IP 65 version of this latch

### MATERIAL

Stainless Steel (AISI 3.....)



Application key code: 267

### MATERIAL

Zinc Only DIN-EN 1774-ZnAl4Cu1

### FINISH

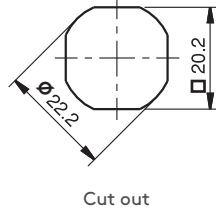
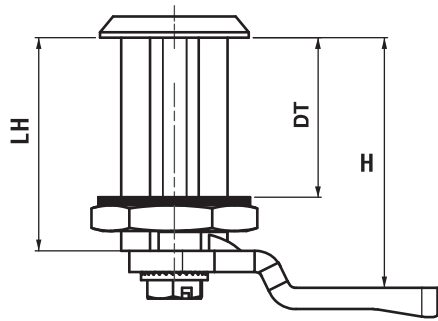
Chrome plated

For other materials please check: page 236

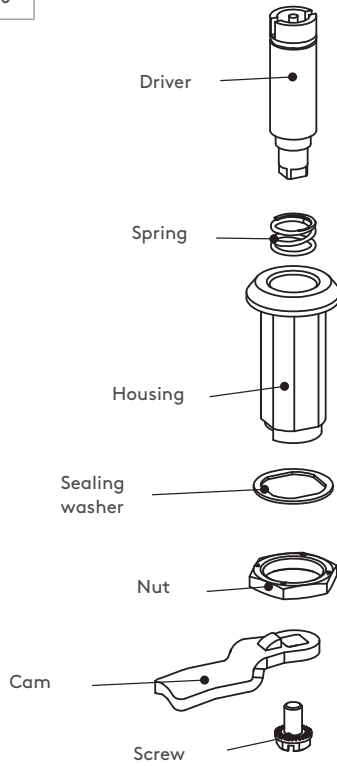
6 mm Square		7 mm Triangular		Slot	
DD		DD		DD	
26		37		42	

### PRODUCT CODE





DT	LH
30	40
40	50
50	60



064

QUARTER TURN -  
SPRING LOADED



- Specially designed internal spring provides 1.5 mm of compression
- IP 66 (Nema 4), optional

**MATERIAL**

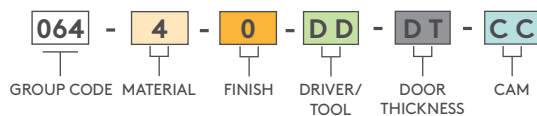
Stainless Steel (AISI 3.....)

**⚠ Note:** For different drivers please contact Essentra Components

3 mm Double bit	5 mm Double bit	8 mm Square	7 mm Triangular	8 mm Triangular	Railway
DD	DD	DD	DD	DD	DD
13	15	28	37	38	88

For other materials please check: page 225

**PRODUCT CODE**



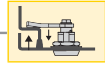
For cams please check page: 174

For keys please check pages: 189 - 191

# STAINLESS STEEL PRODUCTS

## MINI COMPRESSION LATCH

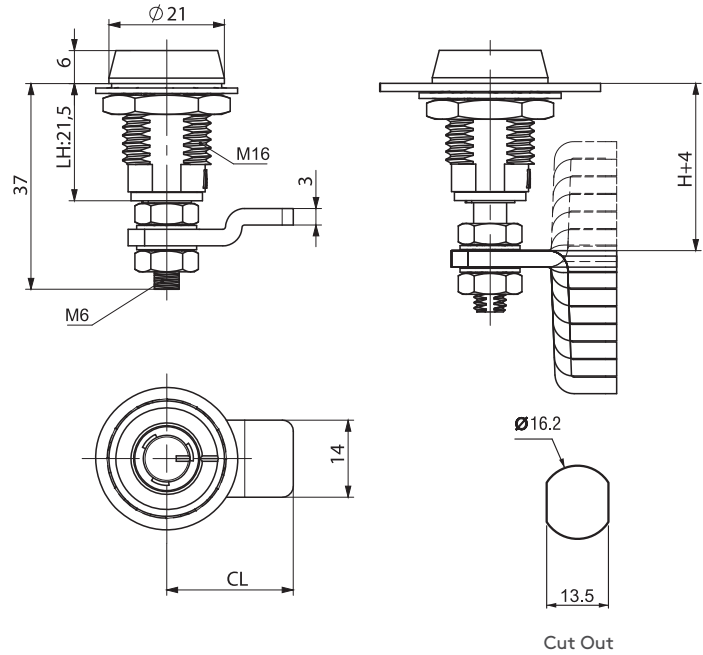
140



- Used for cabinets that require better sealing under vibrating conditions
- 4 mm compression ratio
- Provides noise isolation
- Driver and cam alternatives available

### MATERIAL

HOUSING: Stainless Steel (AISI 316)  
 DRIVER/TOOL: Stainless Steel (AISI 316)  
 CAM: Stainless Steel (AISI 304)  
 NUT: Stainless Steel (AISI 30)



CAM	CC	CH	CL	POSITION	H: GRIP	
					MIN	MAX
1	01	0	23	Flat	26.2	29.4
2	02	1.0	23	Up	25.2	28.4
				Down	27.2	30.4
3	03	3.8	23	Up	22.4	25.6
				Down	30.0	33.2
4	04	7.0	23	Up	19.2	22.4
				Down	33.2	36.4
5	05	10.2	23	Up	16.0	19.2
				Down	36.4	39.6
6	06	13.4	23	Up	12.8	16.0
				Down	39.6	42.8
7	07	16.6	23	Up	9.6	12.8
				Down	42.8	46.0
8	08	19.8	23	Up	6.4	9.6
				Down	46.0	49.2
9	09	23.0	23	Up	3.2	6.4
				Down	49.2	52.4

DRIVER/TOOL	
Tubular key	
DD	
93	
4 mm Hexagon	
DD	
64	
Slot	
DD	
45	

## DUST CAP

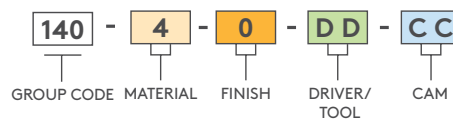
140 A1



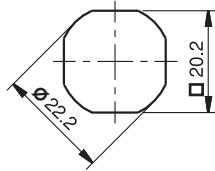
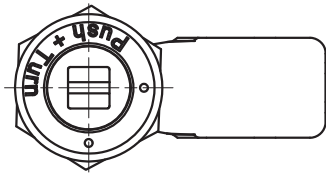
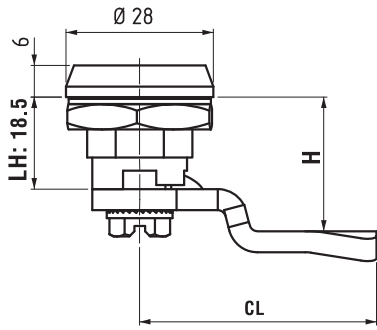
(Order separately)

MATERIAL : Polyurethane

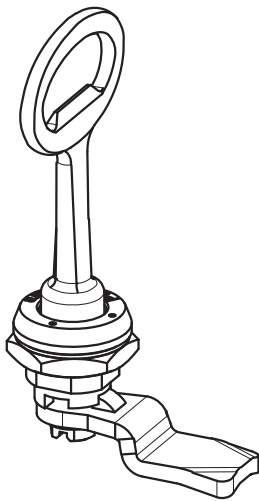
### PRODUCT CODE



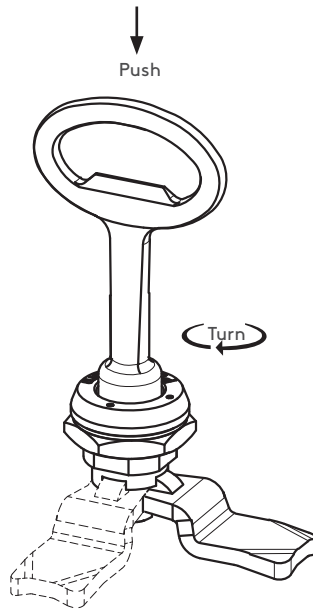
For keys please check pages: 189 - 191



Cut out



Locked position



Unlock position

1060

QUARTER TURN -  
SPRING LOADED



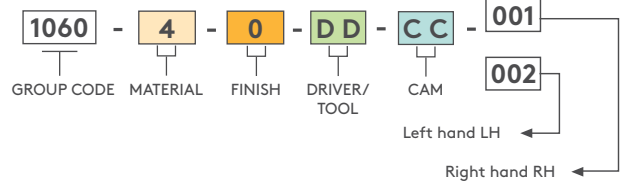
- Vibration proof quarter turn
- Opening the latch only possible by pushing and rotating the driver by the key

**MATERIAL**  
 HOUSING: Stainless Steel (AISI 316)  
 DRIVER/TOOL: Stainless Steel (AISI 316)  
 CAM: Stainless Steel (AISI 304)  
 NUT: Stainless Steel (AISI 304)

**Note:** For different drivers please contact Essentra Components

3 mm Double bit	5 mm Double bit	8 mm Square	7 mm Triangular	8 mm Triangular	Railway
DD 13	DD 15	DD 28	DD 37	DD 38	DD 88

PRODUCT CODE



For cams please check page: 174  
 For keys please check pages: 189 - 191

# STAINLESS STEEL PRODUCTS

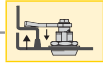
## COMPRESSION LATCH

040



RoHS

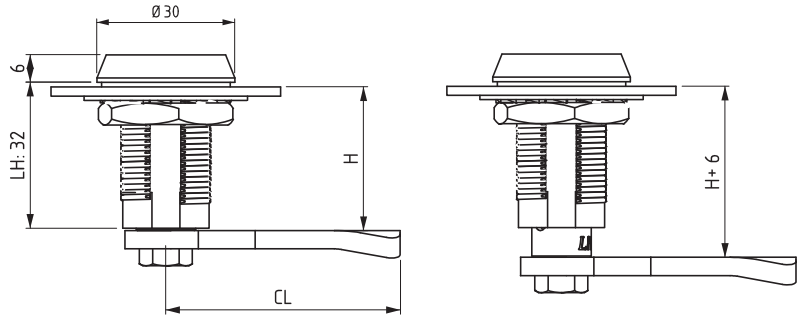
IP 65  
NEMA 4



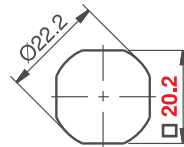
- Used for cabinets that require better sealing under vibrating conditions
- Provides 6 mm of compression
- Provides noise isolation
- Different drivers/cams available
- Standard cams without stopper required for these latches
- The latch has been tested according to the DIN EN 61373 Category 1-B for vibration and shock.
- Working Temperature Range: -50/+80 C
- M22 Nut : should be fixed with 60 Nm
- M10 Nut: should be fixed with 10 Nm
- Threadlocker is applied to the nut threads to get extra fastness against vibration and shock
- Max load capacity: 562 N

### MATERIAL

HOUSING: Stainless Steel (AISI 316)  
DRIVER/TOOL: Stainless Steel (AISI 316)  
CAM: Stainless Steel (AISI 304)  
NUT: Stainless Steel (AISI 304)

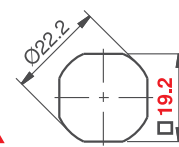


V :7



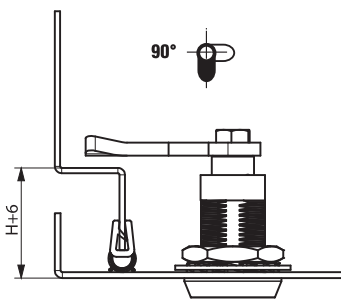
Standard  
Cut Out

V :8

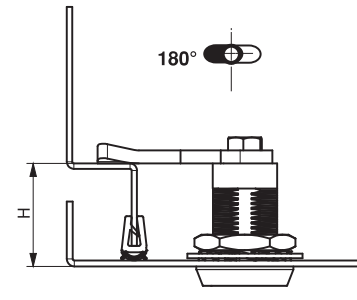


US  
Cut Out

Attention



The first 90° of key rotation turns the cam to locking position



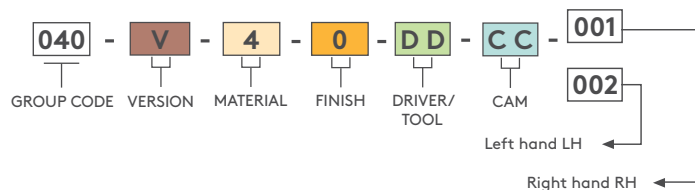
Further key rotation 180° applies 6mm compression

### DRIVER/TOOL

3 mm Double bit DD 13	5 mm Double bit DD 15	Railway DD 88	8 mm Square DD 28	2X4 mm Slot DD 42
7 mm Triangular DD 37		8 mm Triangular DD 38		

**Note:** For different drivers please contact Essentra Components

### PRODUCT CODE

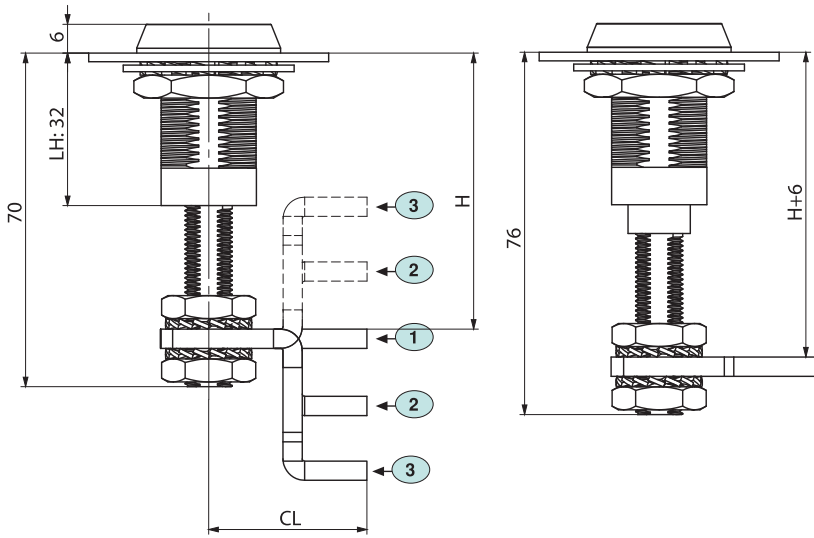


For cams please check page: 174

For keys please check pages: 189 - 191

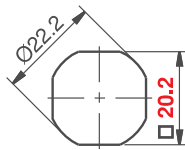
040

COMPRESSION LATCH

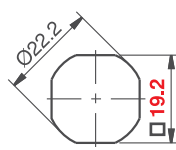


V :5

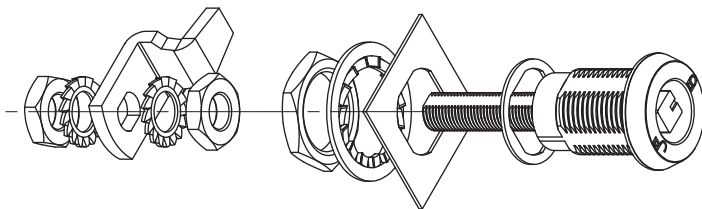
V :6



Standard Cut Out



US Cut Out



- Used for cabinets that require better sealing under vibrating conditions
- 6 mm of compression
- Wide grip range with adjustable screw
- Noise isolation
- Different drivers/cams available
- Three different cam alternatives available
- The latch has been tested according to the DIN EN 61373 Category 1-B for vibration and shock.
- Working Temperature Range: -50/+80 C
- M22 Nut : should be fixed with 60 Nm
- M10 Nut: should be fixed with 10 Nm
- Threadlocker is applied to the nut threads to get extra fastness against vibration and shock
- Max load capacity: 562 N

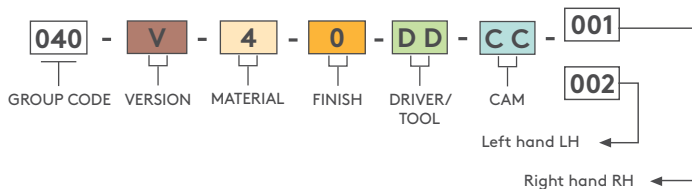
**MATERIAL**

HOUSING: Stainless Steel (AISI 316)  
 DRIVER/TOOL: Stainless Steel (AISI 316)  
 CAM: Stainless Steel (AISI 304)  
 NUT: Stainless Steel (AISI 304)

CAM	CC	CH	CL	POSITION	H: GRIP	
					MIN	MAX
1	01	0	33	Flat	41	58
2	02	14	33	Up	27	44
				Down	55	72
3	03	27,5	33	Up	13,5	30,5
				Down	68	85

**⚠ Note:** For different drivers please contact Essentra Components

**PRODUCT CODE**





# STAINLESS STEEL PRODUCTS

## COMPRESSION LATCH

540

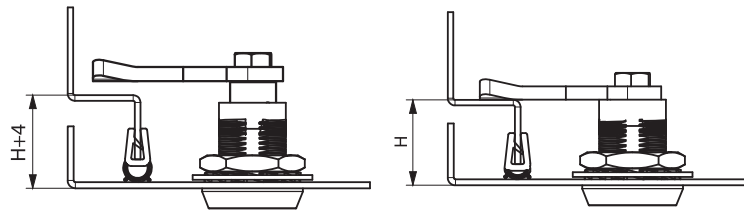
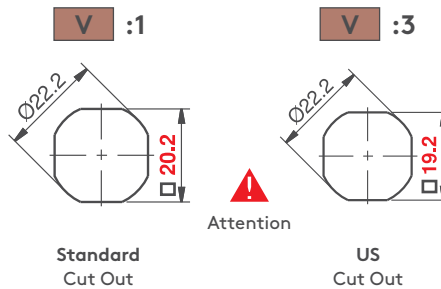
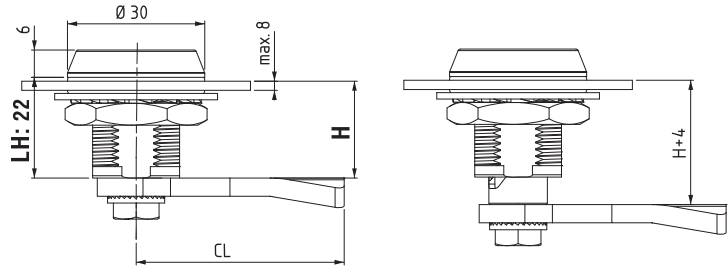
SHORT HOUSING



- Used for cabinets that require better sealing under vibrating conditions
- Provides 4 mm of compression
- Provides noise isolation
- Different drivers/cams available
- Standard cams without stopper required for these latches
- The latch has been tested according to the DIN EN 61373 Category 1-B for vibration and shock.
- Working Temperature Range: -50/+80 C
- M22 Nut : should be fixed with 60 Nm
- M10 Nut: should be fixed with 10 Nm
- Threadlocker is applied to the nut threads to get extra fastness against vibration and shock
- Max load capacity: 562 N

### MATERIAL

HOUSING: Stainless Steel (AISI 316)  
 DRIVER/TOOL: Stainless Steel (AISI 316)  
 CAM: Stainless Steel (AISI 304)  
 NUT: Stainless Steel (AISI 304)



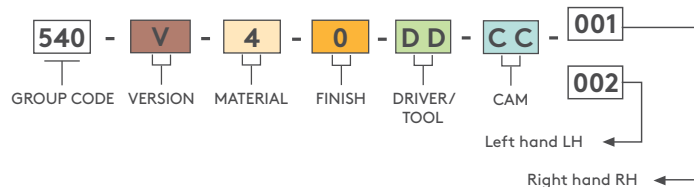
The first 90° of key rotation turns the cam to locking position

Further key rotation 180° applies 4 mm compression

### DRIVER/TOOL

3 mm Double bit	5 mm Double bit	Railway	8 mm Square	2X4 mm Slot
DD 13	DD 15	DD 88	DD 28	DD 42
		7 mm Triangular	8 mm Triangular	
		DD 37	DD 38	

### PRODUCT CODE



For cams please check pages: 174

For keys please check pages: 189 - 191



540

COMPRESSION LATCH

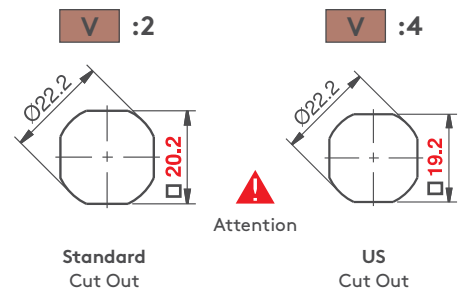
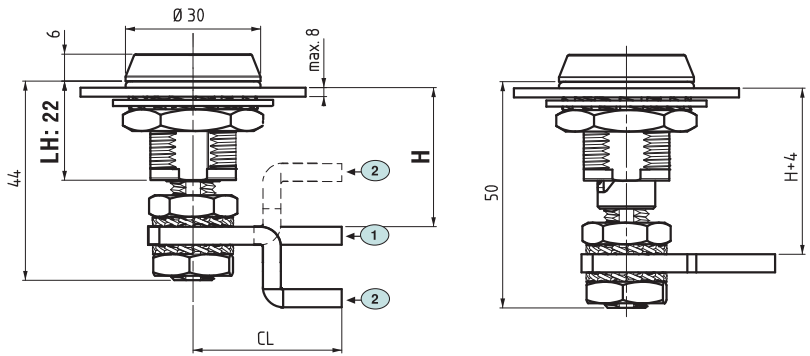
SHORT HOUSING



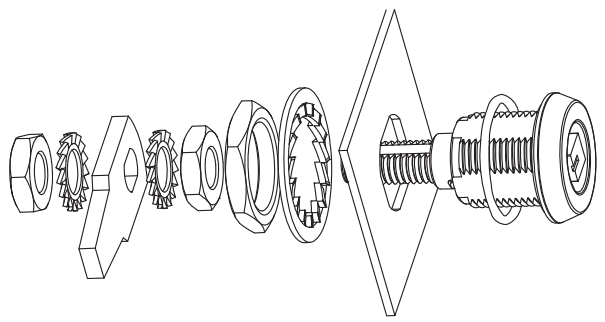
- Used for cabinets that require better sealing under vibrating conditions
- 4 mm of compression
- Wide grip range with adjustable screw
- Noise isolation
- Different drivers/cams available
- Three different cam alternatives available
- The latch has been tested according to the DIN EN 61373 Category 1-B for vibration and shock.
- Working Temperature Range: -50/+80 C
- M22 Nut : should be fixed with 60 Nm
- M10 Nut: should be fixed with 10 Nm
- Threadlocker is applied to the nut threads to get extra fastness against vibration and shock
- Max load capacity: 562 N

**MATERIAL**  
 HOUSING: Stainless Steel (AISI 316)  
 DRIVER/TOOL: Stainless Steel (AISI 316)  
 CAM: Stainless Steel (AISI 304)  
 NUT: Stainless Steel (AISI 304)

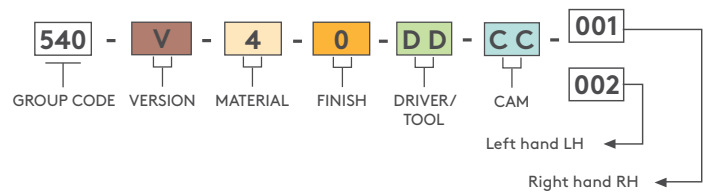
**Note:** For different drivers please contact Essentra Components



CAM	CC	CH	CL	H GRIP	
				MIN	MAX
1	01	0	33	28	38
2	02	14	33	14	52



PRODUCT CODE



For keys please check pages: 189 - 191

# STAINLESS STEEL PRODUCTS

## HYGIENIC COMPRESSION LATCH

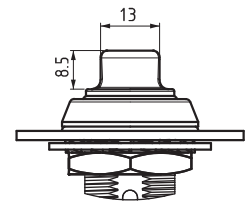
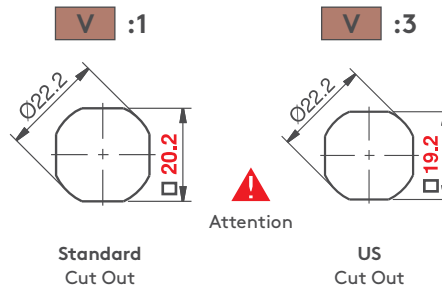
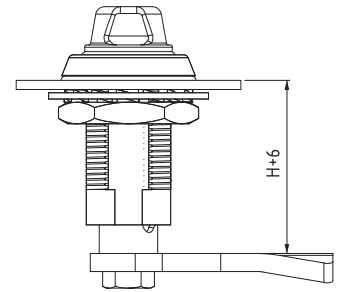
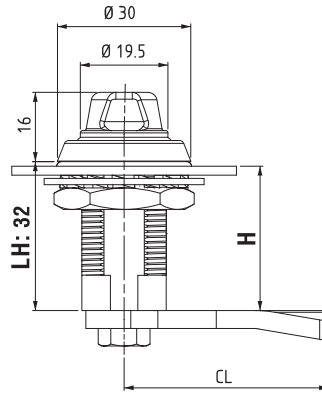
440



- Dirt resistant and easy to clean
- Specially designed for hygiene requirements
- Used for cabinets that require better sealing under vibrating conditions
- Noise isolation
- 6 mm of compression
- Different drivers/cams available
- The latch has been tested according to the DIN EN 61373 Category 1-B for vibration and shock.
- The latch has been tested according to the GS-NV 6:2015/12 for hygiene requirements
- Working Temperature Range: -50/+80 C
- M22 Nut : should be fixed with 60 Nm
- M10 Nut: should be fixed with 10 Nm
- Threadlocker is applied to the nut threads to get extra fastness against vibration and shock
- Max load capacity: 562 N

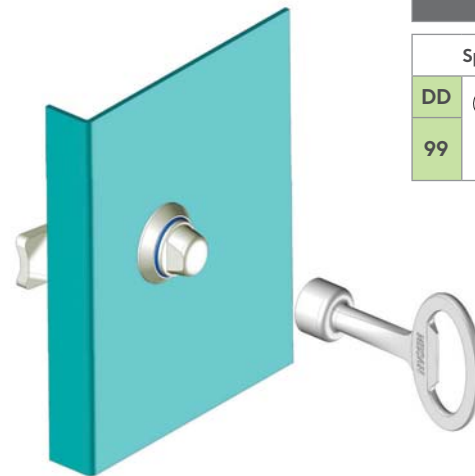
### MATERIAL

HOUSING: Stainless Steel (AISI 316)  
 DRIVER/TOOL: Stainless Steel (AISI 316)  
 CAM: Stainless Steel (AISI 304)  
 NUT: Stainless Steel (AISI 304)  
 ORING: Silicone



### DRIVER/TOOL

Special		8 mm Square	
DD		DD	
99		28	



## METAL KEY

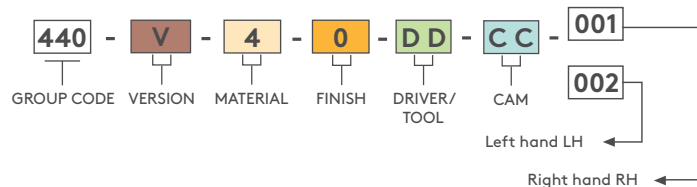
368-94



### MATERIAL & FINISH

Zinc Only DIN-EN 1774-ZnAl4Cu1 Chrome plated

### PRODUCT CODE



440

## HYGIENIC COMPRESSION LATCH

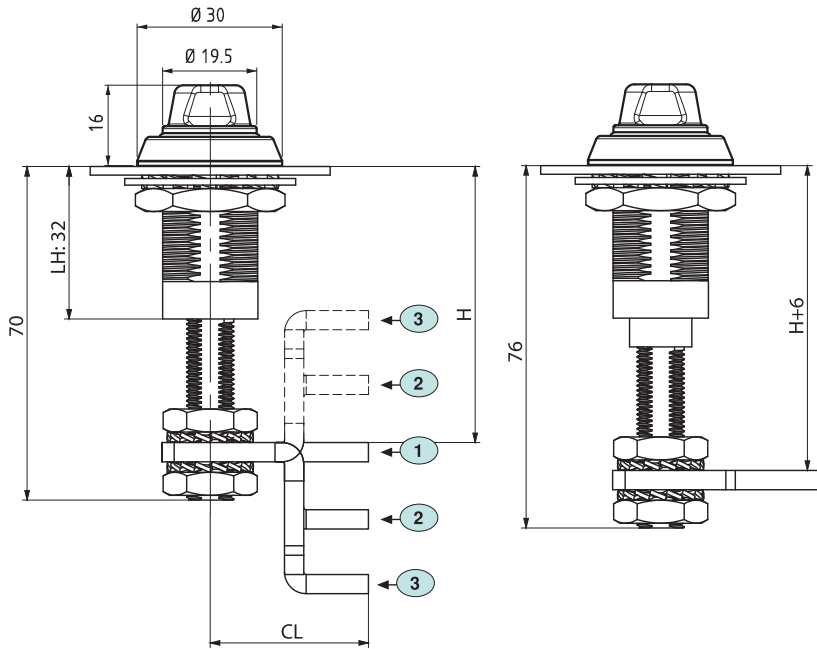


- Dirt resistant and easy to clean
- Specially designed for hygiene requirements
- Used for cabinets that require better sealing under vibrating conditions
- 6 mm of compression
- Wide grip range with adjustable screw
- Noise isolation
- Different drivers/cams available
- Three different cam alternatives available
- The latch has been tested according to the DIN EN 61373 Category 1-B for vibration and shock.
- The latch has been tested according to the GS-NV 6:2015/12 for hygiene requirements
- Working Temperature Range: -50/+80 C
- M22 Nut : should be fixed with 60 Nm
- M10 Nut: should be fixed with 10 Nm
- Threadlocker is applied to the nut threads to get extra fastness against vibration and shock
- Max load capacity: 562 N

### MATERIAL

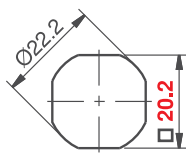
HOUSING: Stainless Steel (AISI 316)  
 DRIVER/TOOL: Stainless Steel (AISI 316)  
 CAM: Stainless Steel (AISI 304)  
 NUT: Stainless Steel (AISI 304)  
 ORING: Silicone

For cams please check pages: 174



V :2

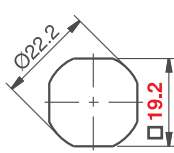
V :4



Standard Cut Out



Attention

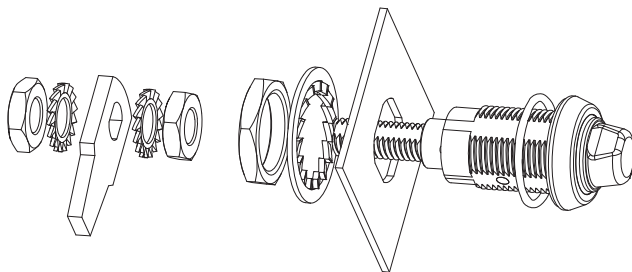


US Cut Out

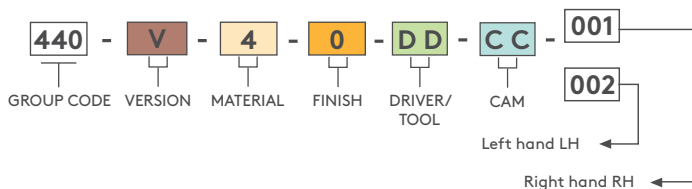
CAM	CC	CH	CL	POSITION	H: GRIP	
					MIN	MAX
1	01	0	33	Flat	41	58
2	02	14	33	Up	27	44
				Down	55	72
3	03	27,5	33	Up	13,5	30,5
				Down	68	85

### DRIVER/TOOL

Special		8 mm Square	
DD		DD	
99		28	



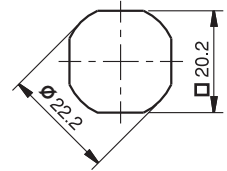
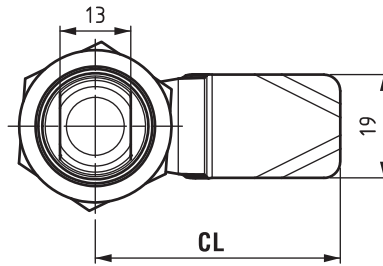
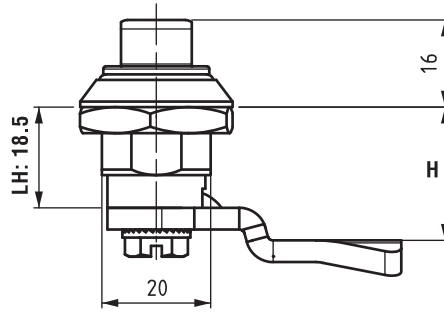
### PRODUCT CODE



# STAINLESS STEEL PRODUCTS

## HYGIENIC LATCH

460



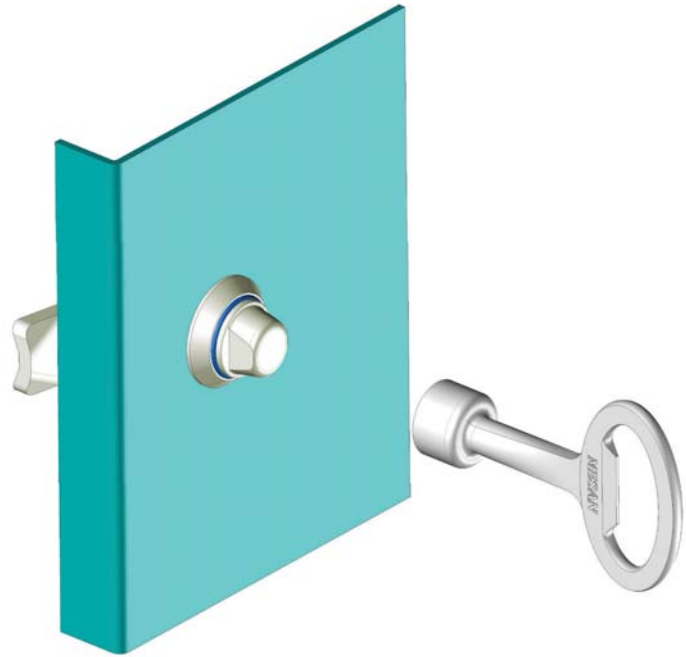
- Dirt resistant and easy to clean
- The latch has been tested according to the GS-NV 6:2015/12 for hygiene requirements
- Specially designed for hygiene requirements

### MATERIAL

HOUSING: Stainless Steel (AISI 316)  
 DRIVER/TOOL: Stainless Steel (AISI 316)  
 CAM: Stainless Steel (AISI 304)  
 ORING: Silicone

## METAL KEY

368-94



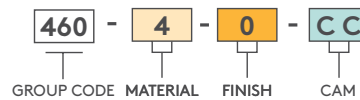
### MATERIAL

Zinc Only DIN-EN 1774-ZnAl4Cu1

### FINISH

Chrome plated

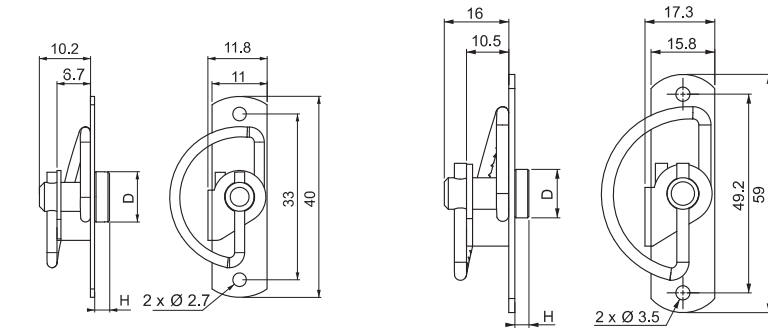
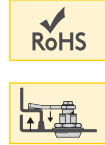
### PRODUCT CODE



For cams please check page: 174

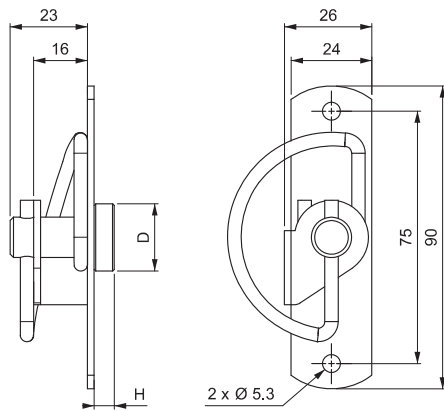
045

COMPRESSION - SPRING LATCH

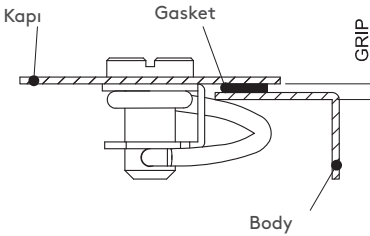


Small

Medium



Large



- Fix small panels to frame with ease
- Quarter-turn locking
- Easy assembly
- For doors with a bend of 24 mm

**MATERIAL**

BODY: Stainless steel  
 DRIVER:/TOOL Stainless steel  
 SPRING: Stainless steel

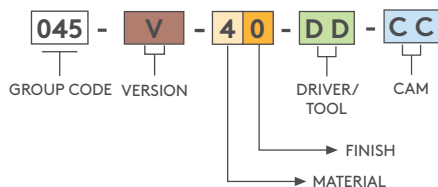
DRIVER/TOOL				
V	DD	Name	DØ	H
1	12	Slot - Small	10	3
	13	Knurled - Small	10.5	12
2	21	Hexagon Female 4 mm	12	3.5
	22	Slot - Medium	12	3.5
	23	Knurled - Small	13	17.5
3	31	Hexagon Female 8 mm	20	6
	32	Slot - Large	20	5



CAMS		
CC	Cam name	VERSION
41	Smooth Spring - Small	1
42	Smooth Spring - Medium	2
52	Serrated Spring - Medium	2
43	Smooth Spring - Large	3
53	Serrated Spring - Large	3

VERSIONS	
V	Product
1	Small Spring Latch
2	Medium Spring Latch
3	Large Spring Latch

**PRODUCT CODE**



# STAINLESS STEEL PRODUCTS

PADLOCKABLE - 'L' HANDLE

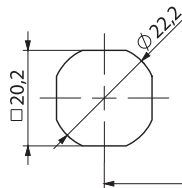
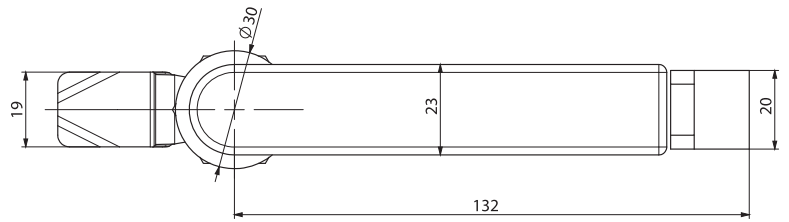
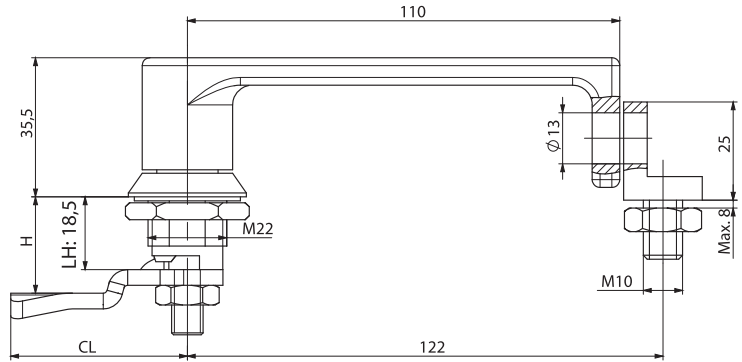
211



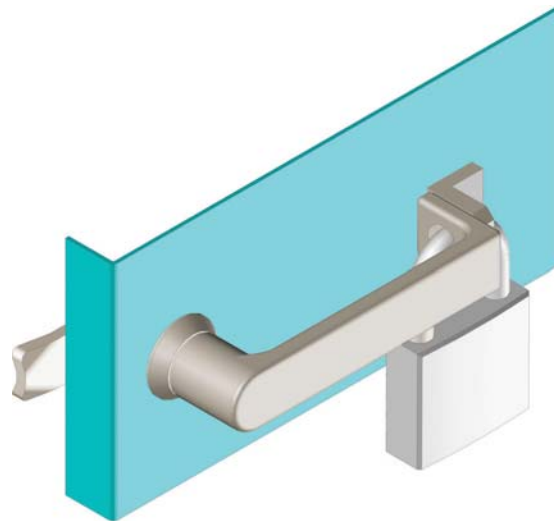
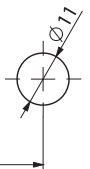
- Padlockable stainless steel latch can be used for outdoor enclosures.
- Suitable for hygienic cabinets and electrical enclosures.

**MATERIAL**

HOUSING: Stainless Steel (AISI 316)  
 HANDLE: Stainless Steel (AISI 316)  
 CAM: Stainless Steel (AISI 304)  
 NUT: Stainless Steel (AISI 304)



Cut Out

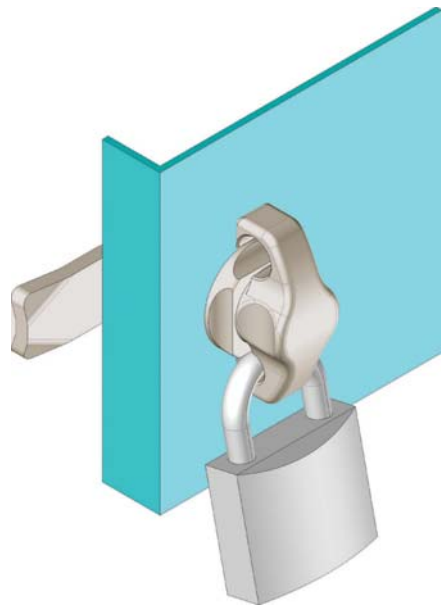
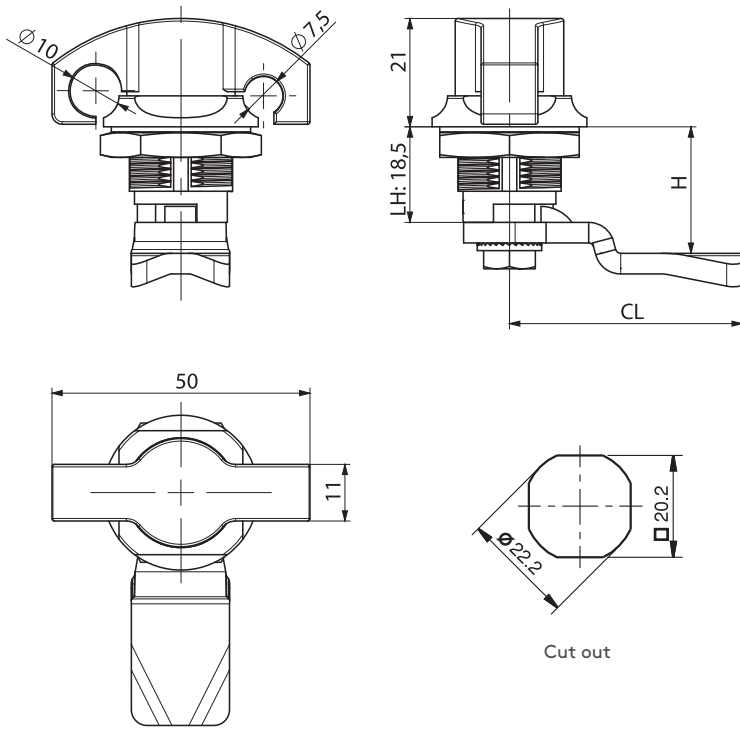


**PRODUCT CODE**

211 - 4 - 0 - CC

GROUP CODE MATERIAL FINISH CAM

For cams please check page: 174



562

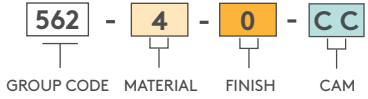
PADLOCKABLE WING KNOB



- Maximum shackle diameter is 9 mm for 10 mm hole
- Maximum shackle diameter is 6 mm for 7.5 mm hole

**MATERIAL**  
 HOUSING: Stainless Steel (AISI 316)  
 KNOB: Stainless Steel (AISI 316)  
 CAM: Stainless Steel (AISI 304)  
 NUT: Stainless Steel (AISI 304)

PRODUCT CODE



For cams please check page: 174



# STAINLESS STEEL PRODUCTS

## QUARTER TURN - T HANDLE

110

RoHS



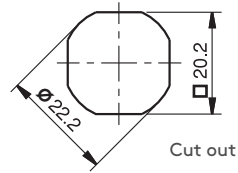
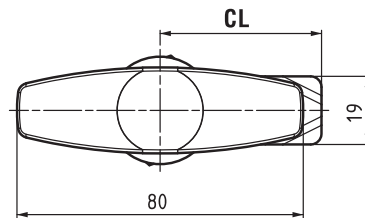
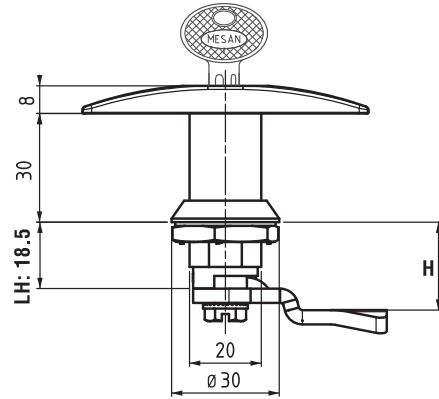
- Quarter-turn operation
- Stainless steel

### MATERIAL

HOUSING: Stainless Steel (AISI 316)  
 HANDLE: Stainless Steel (AISI 316)  
 CAM: Stainless Steel (AISI 304)  
 GASKET: Rubber



No cylinder '00'

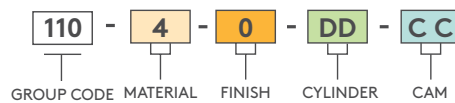


CYLINDER	SPECIFICATIONS	DD
	No cylinder	00
	Keyed alike	01
	Keyed differ	02
	Euro key (5333)	05
	CH751 (Stainless steel dust cap)	07

For other materials please check: page 254

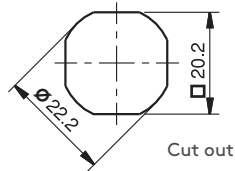
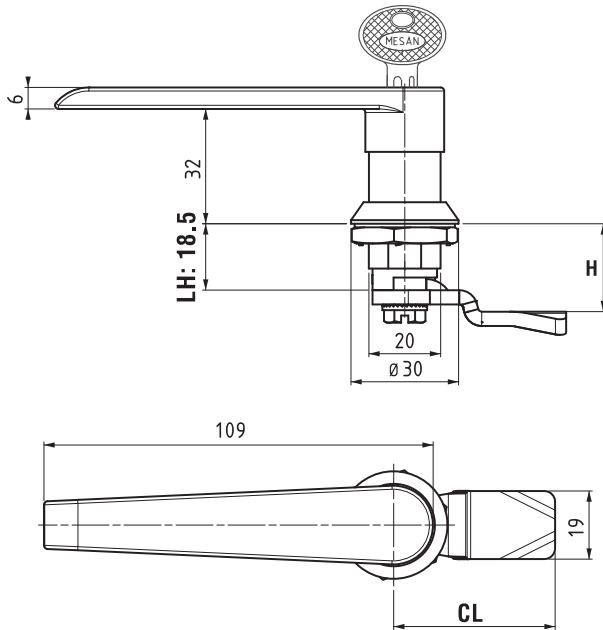
For cams please check page: 174

### PRODUCT CODE



111

QUARTER TURN - T HANDLE




- Quarter-turn operation
- Stainless steel

**MATERIAL**

HOUSING: Stainless Steel (AISI 316)  
 HANDLE: Stainless Steel (AISI 316)  
 CAM: Stainless Steel (AISI 304)  
 GASKET: Rubber

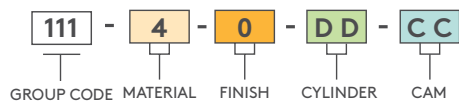



No cylinder '00'

CYLINDER	SPECIFICATIONS	DD
	No cylinder	00
	Keyed alike	01
	Keyed differ	02
	Euro key (5333)	05
	CH751 (Stainless steel dust cap)	07

For other materials please check: page 255

PRODUCT CODE



 For cams please check page: 174

# STAINLESS STEEL PRODUCTS

## QUARTER TURN -WING KNOB

065



- RoHS
- IP 65  
NEMA 4
- 

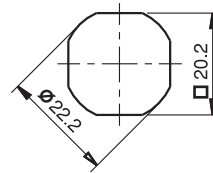
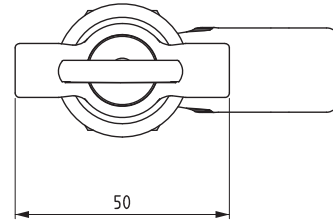
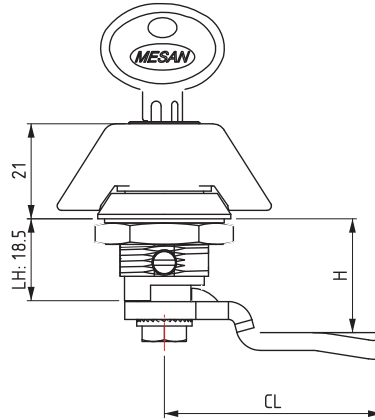
- Quarter turn operation
- All in stainless steel

### MATERIAL

HOUSING: Stainless Steel (AISI 316)  
 KNOB: Stainless Steel (AISI 316)  
 CAM: Stainless Steel (AISI 304)  
 GASKET: Rubber



No cylinder '00'



Cut out

CYLINDER	SPECIFICATIONS	DD
	No cylinder	00
	Keyed alike	01
	Keyed differ	02
	Euro key (5333)	05
	CH751 (Stainless steel dust cap)	07

For other materials please check:  
page 218

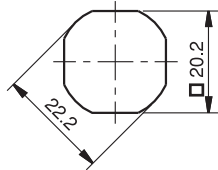
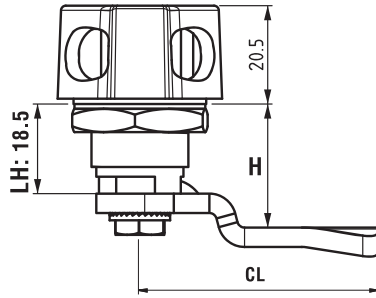
For cams please check page: 174

### PRODUCT CODE

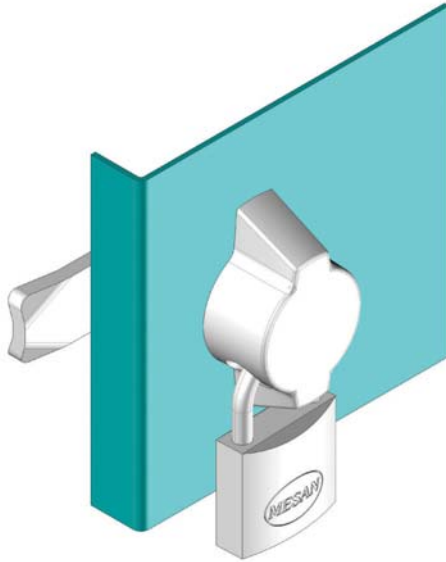
065 - 
 4 - 
 0 - 
 DD - 
 CC  
 GROUP CODE MATERIAL FINISH CYLINDER CAM







265

PADLOCKABLE WING KNOB



Cut Out



-  RoHS
-  IP 65  
NEMA 4
- 
- 
- 
- 

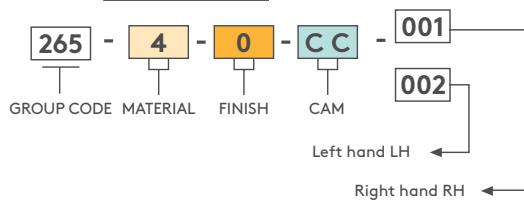


- Padlockable wing knob. Maximum shackle diameter 6 mm.
- All in Stainless steel

**MATERIAL**

- HOUSING: Stainless Steel (AISI 316)
- KNOB: Stainless Steel (AISI 316)
- CAM: Stainless Steel (AISI 304)
- GASKET: Rubber

**PRODUCT CODE**



 For cams please check page: 174

# STAINLESS STEEL PRODUCTS

## QUARTER TURN LATCH

860



RoHS



IP 65  
NEMA 4



- Used for cabinets under vibration conditions
- Different driver alternatives are available

### APPLICATIONS

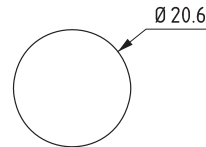
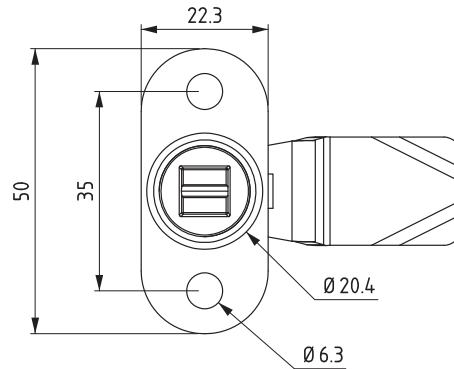
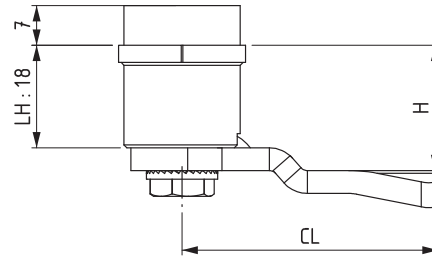
Railway cabinets offroad applications

### MATERIAL

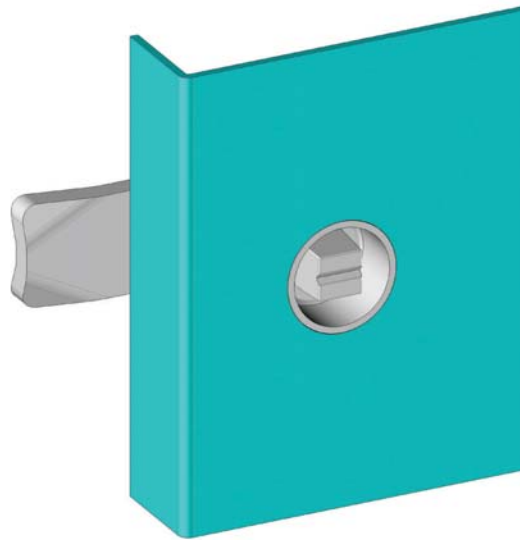
HOUSING: Stainless Steel (AISI 316)

DRIVER: Stainless Steel (AISI 316)

CAM: Stainless Steel (AISI 304)



Cut out



### PRODUCT CODE

860 - 4 - 0 - DD - CC

GROUP CODE MATERIAL FINISH DRIVER/TOOL CAM

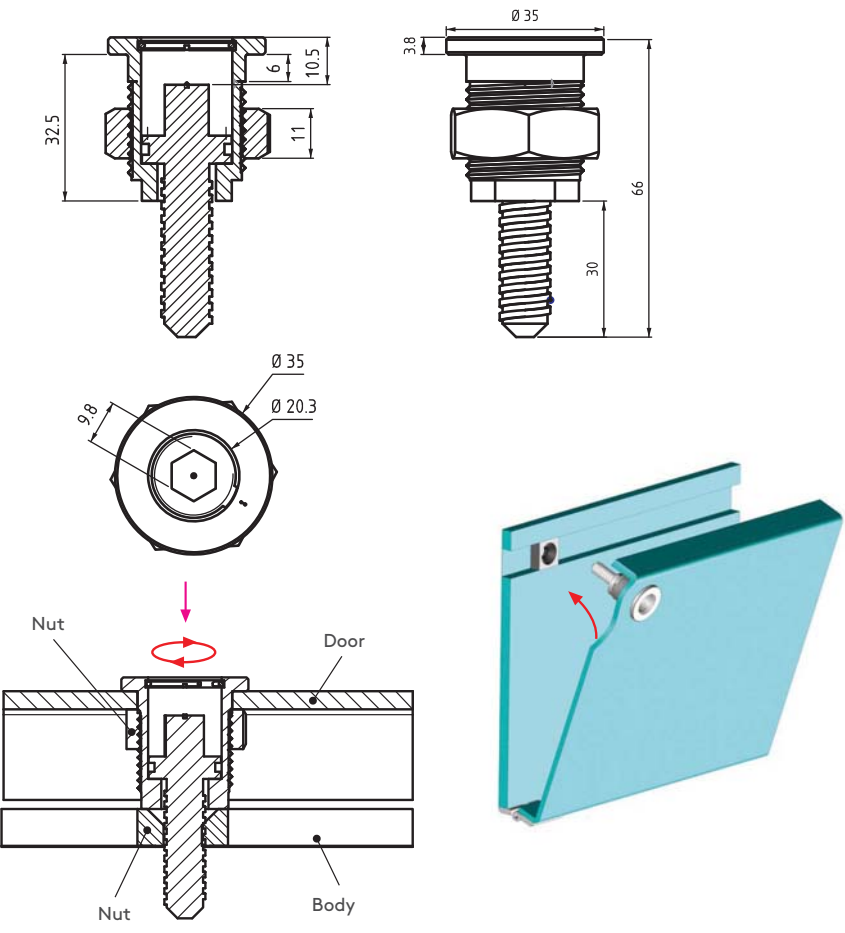
For cams please check page: 174

For keys please check pages: 189 - 191

For drivers please check pages: 466

042

## SCREW LATCH



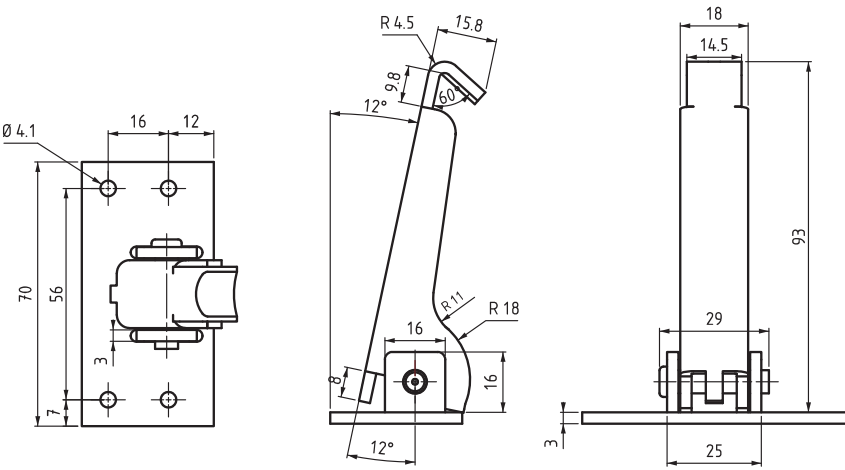
• Used to latch railway cabinets

**APPLICATIONS**  
Railway cabinets

**MATERIAL**  
BODY: Stainless Steel (AISI 316)  
DRIVER: Stainless Steel (AISI 316)  
NUT: Stainless Steel (AISI 304)

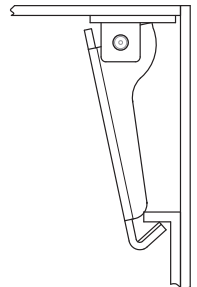
276

## SAFETY LATCH

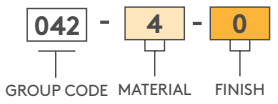


**APPLICATIONS**  
Railway cabinets

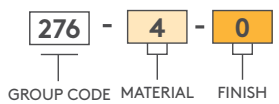
**MATERIAL**  
Stainless Steel



**PRODUCT CODE**



**PRODUCT CODE**



# STAINLESS STEEL PRODUCTS

## CONCEALED HINGE

295

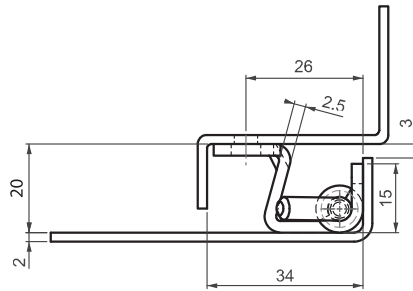
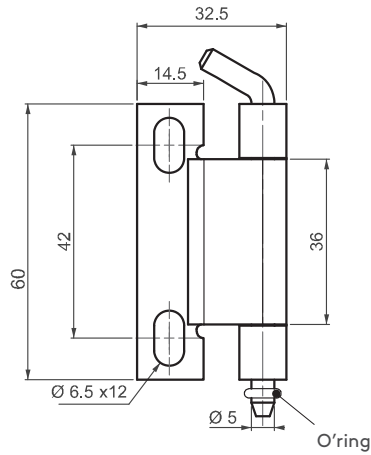


- For doors with a bend of between 20 mm and 24 mm
- Frame part is screwed on, door part is welded on
- Suitable for left- and right-hand application

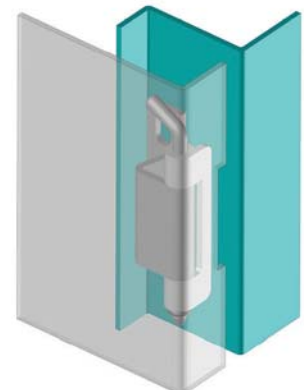
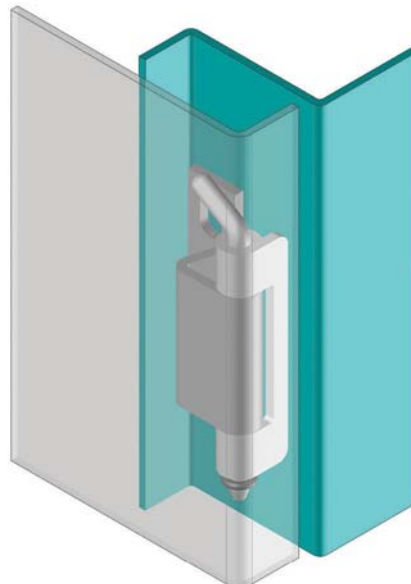
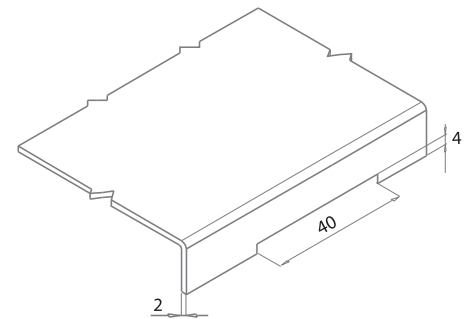
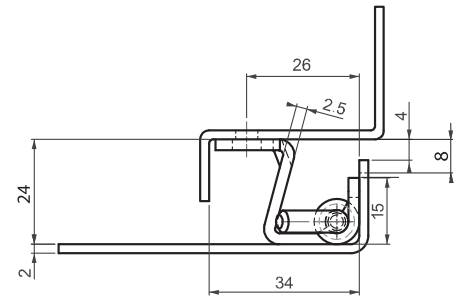
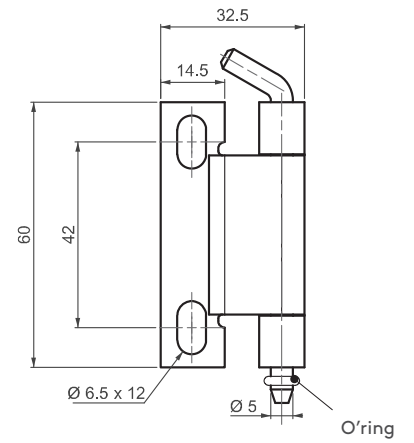
### MATERIAL

BODY: Stainless Steel (AISI 304)  
PIN: Stainless Steel (AISI 303)

V :1



V :2



Hinge Rotation Angle



**Note:** Bolts are not supplied

For other materials please check:  
page 312

### PRODUCT CODE

295 - 4 - 0 - V  
GROUP CODE MATERIAL FINISH VERSION

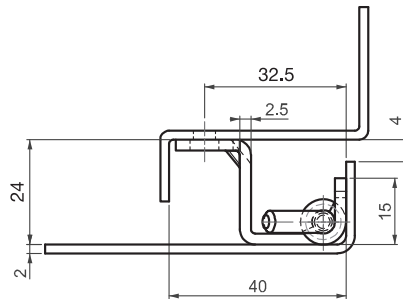
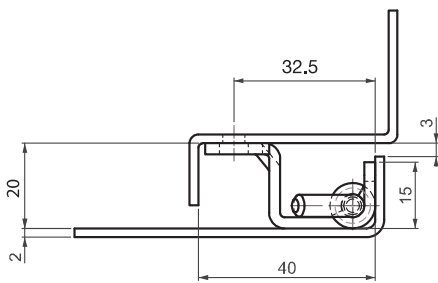
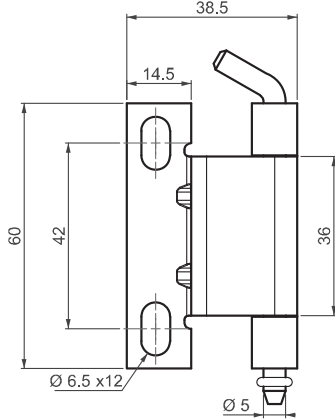
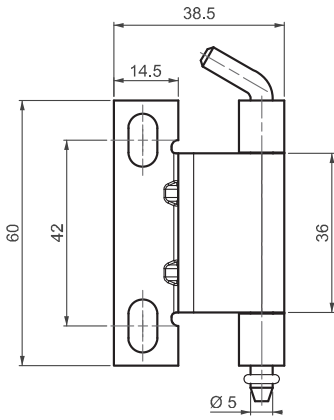


295

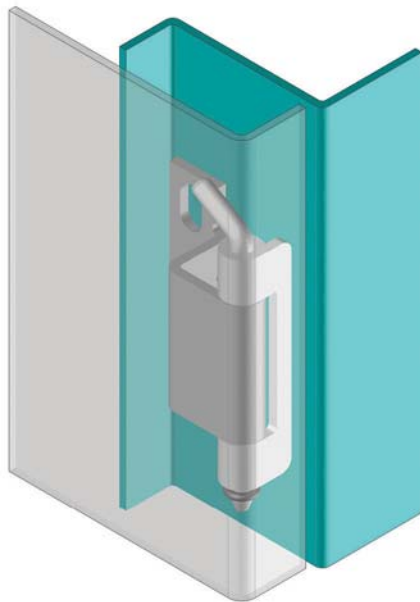
CONCEALED HINGE

V :3

V :4



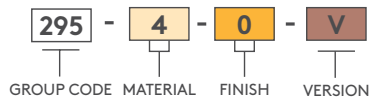
**MATERIAL**  
 BODY: Stainless Steel (AISI 304)  
 PIN: Stainless Steel (AISI 303)



Hinge Rotation Angle



PRODUCT CODE



**Note:** Bolts are not supplied

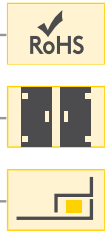
For other materials please check: page 313



# STAINLESS STEEL PRODUCTS

## CONCEALED HINGE

395

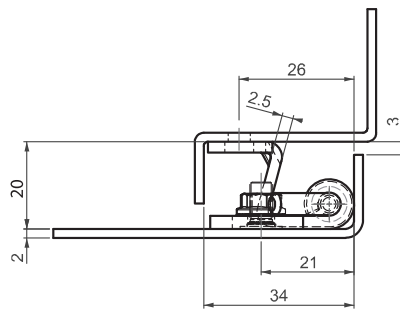
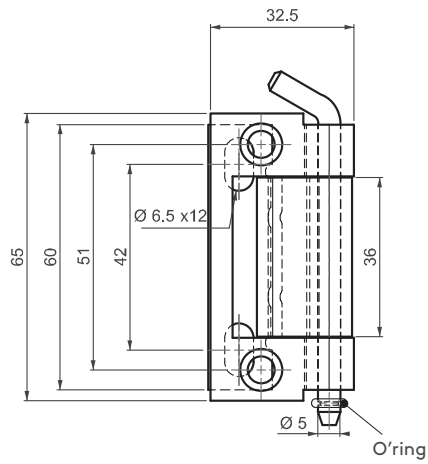


- For doors with a bend of between 20 mm and 24 mm
- Frame part screwed on, door part welded on
- Suitable for left- and right-hand applications

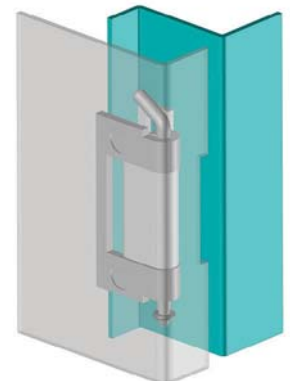
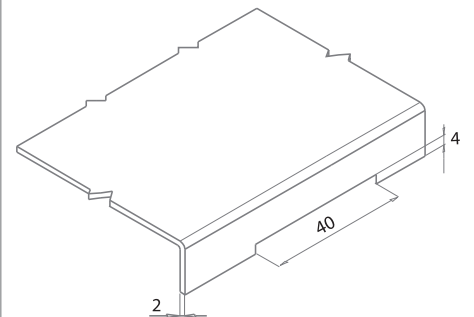
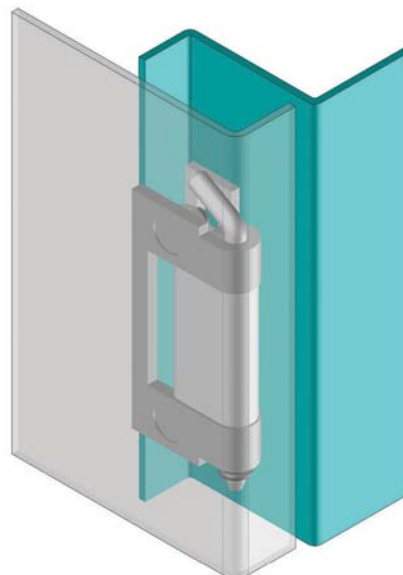
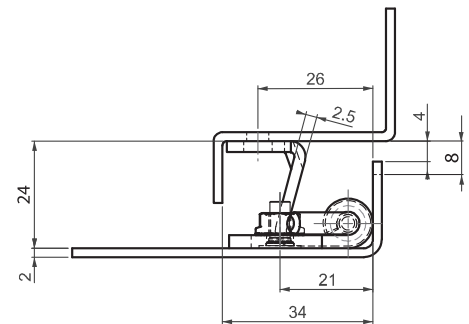
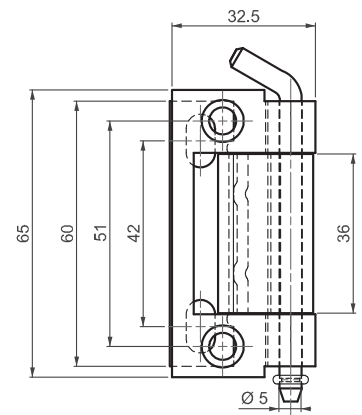
### MATERIAL

BODY: Stainless Steel (AISI 304)  
PIN: Stainless Steel (AISI 303)

V :1



V :2



Hinge Rotation Angle



**⚠ Note:** Bolts are not supplied

For other materials please check:  
page 314

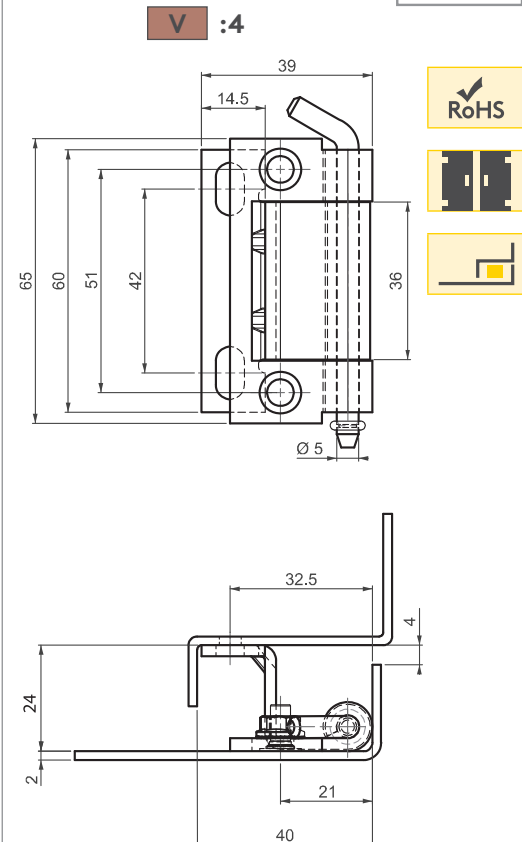
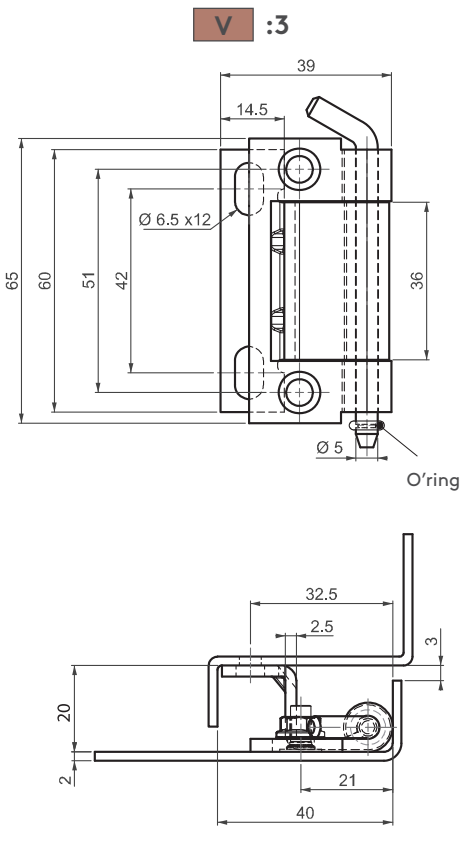
### PRODUCT CODE

395 - 4 - 0 - V  
GROUP CODE MATERIAL FINISH VERSION



395

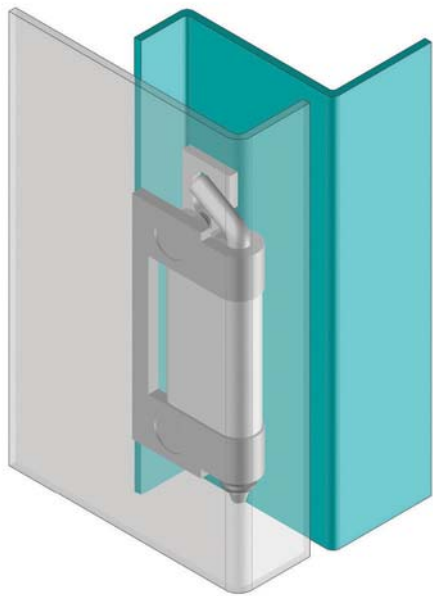
CONCEALED HINGE



RoHS



**MATERIAL**  
 BODY: Stainless Steel (AISI 304)  
 PIN: Stainless Steel (AISI 303)



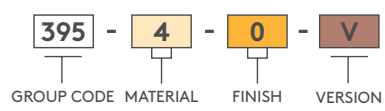
Hinge Rotation Angle



**Note:** Bolts are not supplied

For other materials please check: page 315

PRODUCT CODE



# STAINLESS STEEL PRODUCTS

## CONCEALED HINGE

695



- For doors with a bend of 18 mm
- Frame part screwed on, door part either welded on or screwed-on
- Suitable for left- and right-hand application

### MATERIAL

BODY: Stainless Steel (AISI 304)

PIN: Stainless Steel (AISI 303)

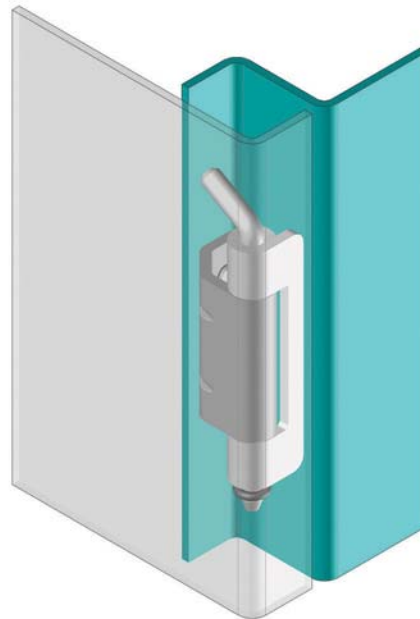
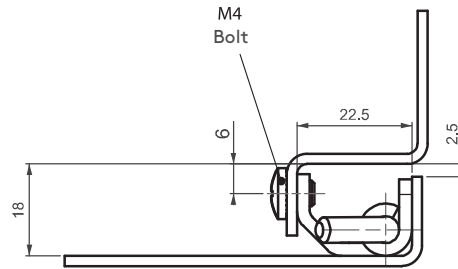
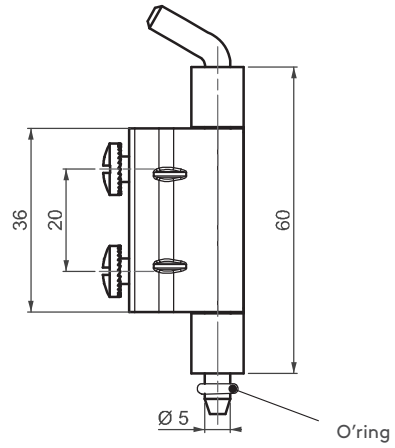
Hinge Rotation Angle



**Note:** Bolts are supplied

For other materials please check:  
page 316

V :1



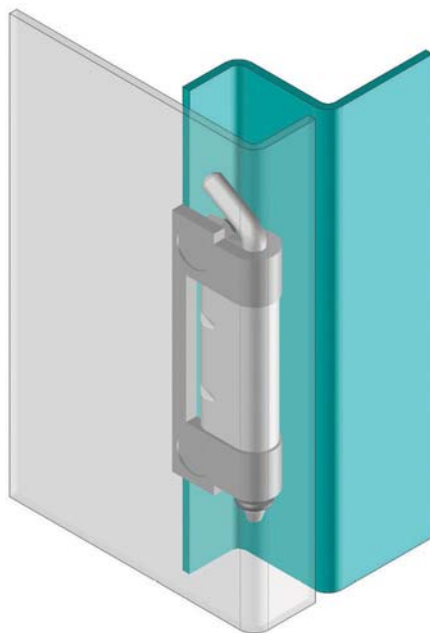
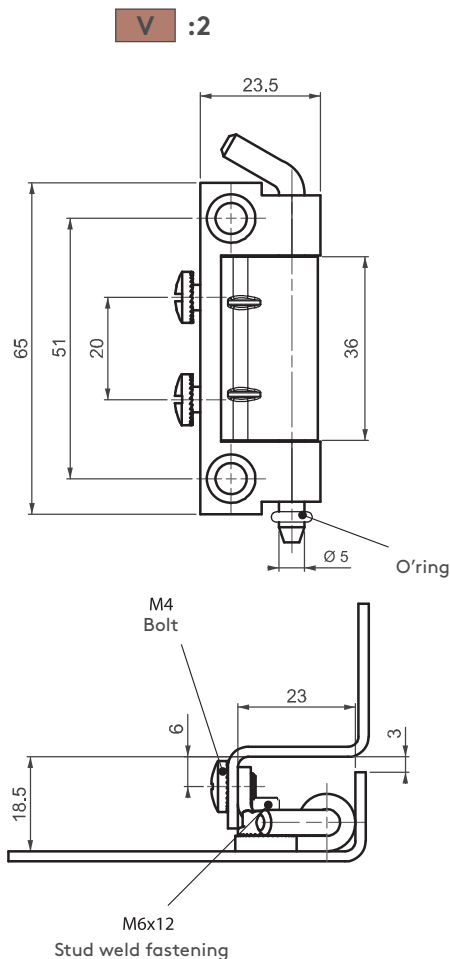
### PRODUCT CODE

695 - 4 - 0 - 1  
 GROUP CODE MATERIAL FINISH VERSION



695

CONCEALED HINGE



- For doors with a bend of 18.5 mm
- Frame part screwed on, door part mounted by nut to welded stud on door
- Suitable for left- and right-hand applications

MATERIAL

BODY: Stainless Steel (AISI 304)  
PIN: Stainless Steel (AISI 303)

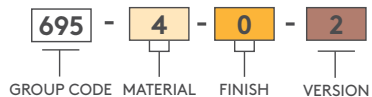
Hinge Rotation Angle



**Note:** Bolts are supplied

For other materials please check: page 317

PRODUCT CODE



695

4

0

2

GROUP CODE MATERIAL FINISH VERSION

# STAINLESS STEEL PRODUCTS

## CONCEALED HINGE

795



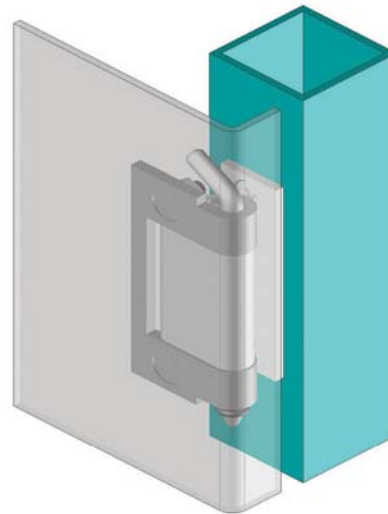
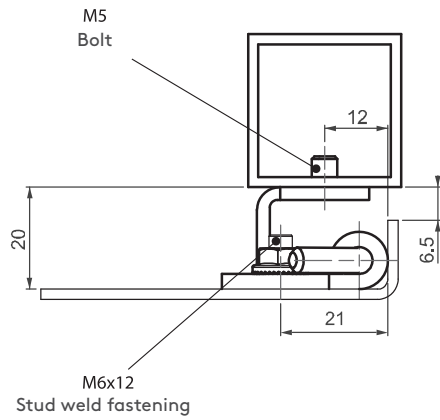
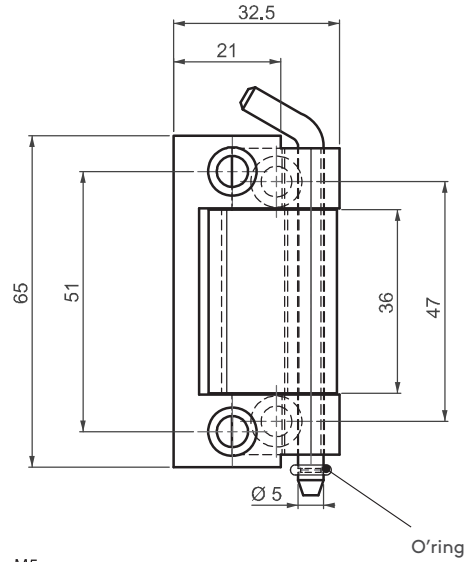
RoHS



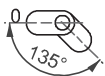
- For doors with a bend of 20 mm to fixed profiles
- Frame part screwed on, door part mounted by nut to welded stud on door
- Suitable for left- and right-hand applications

### MATERIAL

BODY: Stainless Steel (AISI 304)  
PIN: Stainless Steel (AISI 303)



Hinge Rotation Angle



**Note:** Bolts are not supplied

For other materials please check:  
page 318

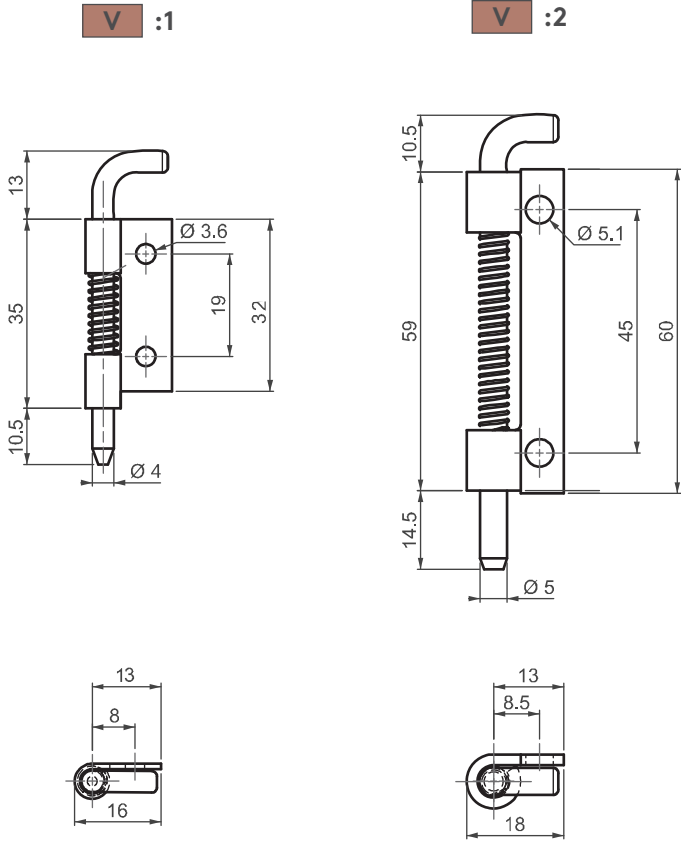
### PRODUCT CODE

795 - 4 - 0  
GROUP CODE MATERIAL FINISH



289

CONCEALED HINGE



- RoHS
- 
- 
- 

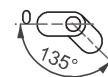


- For internally mounted doors
- Spring-loaded hinge for easy door removal
- Both versions either screwed or welded on
- Suitable for left- and right-hand applications

**MATERIAL**

BODY: Stainless Steel (AISI 304)  
PIN: Stainless Steel (AISI 303)

Hinge Rotation Angle

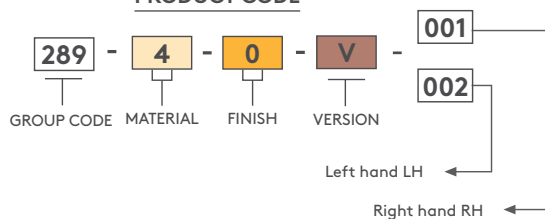


**⚠ Note:** Bolts are not supplied

**⚠ Note:** Assembled RH (as drawn)  
Assembled LH  
(mirror inverted)

For other materials please check:  
page 329

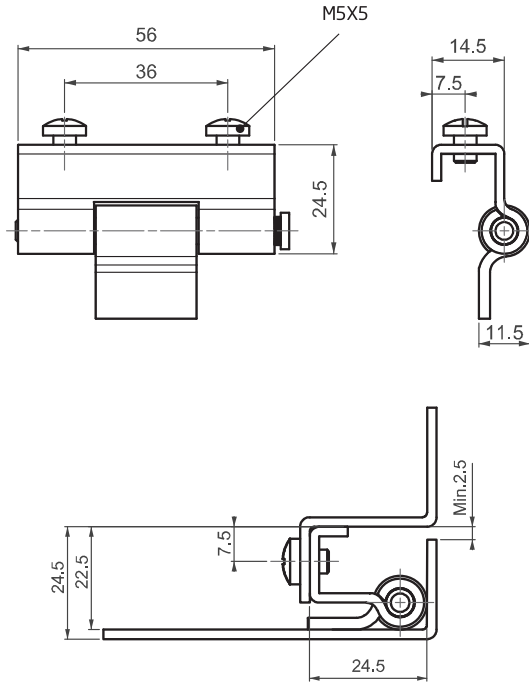
**PRODUCT CODE**



# STAINLESS STEEL PRODUCTS

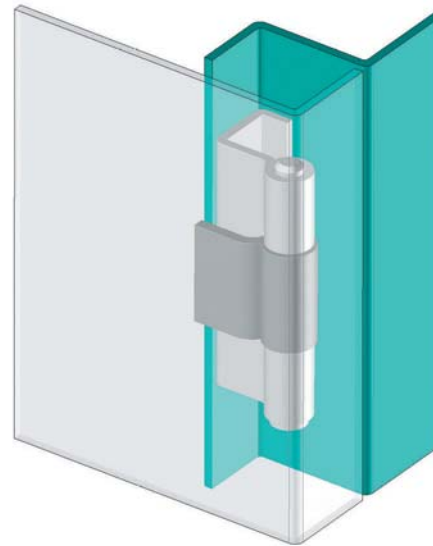
## CONCEALED HINGE

095



- For doors with a bend of 22.5 mm or more

**MATERIAL**  
 BODY: Stainless Steel (AISI 304)  
 PIN: Stainless Steel (AISI 303)



Hinge Rotation Angle

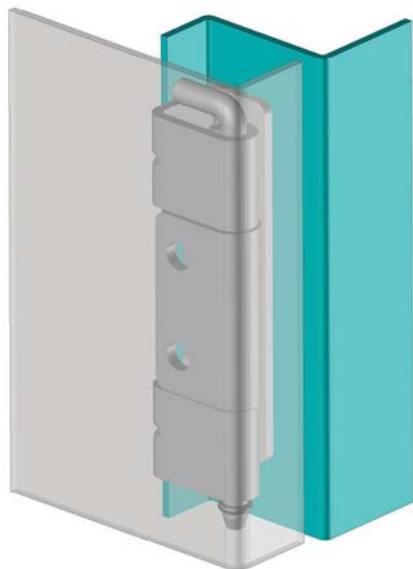
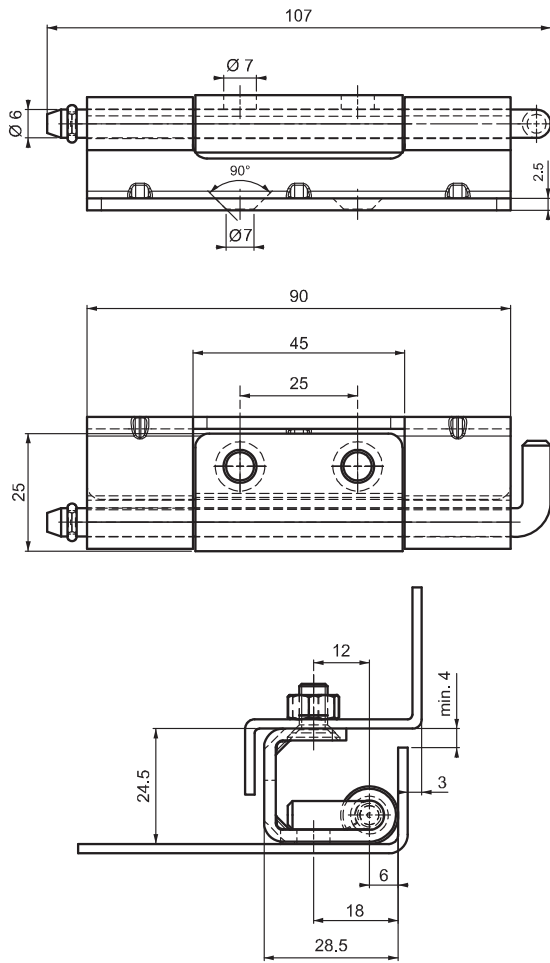


**⚠ Note:** Bolts are supplied

For other materials please check:  
 page 308

### PRODUCT CODE

095	-	4	-	0	-	1	-	0
GROUP CODE		MATERIAL		FINISH		VERSION		Hole



995

CONCEALED HINGE



- Side part can be mounted with M5 screws
- Centre part copper plated for easy welding
- Suitable for heavy-duty applications
- Suitable for 25 mm door bend cabinets

**MATERIAL**

BODY: Stainless Steel (AISI 304)  
PIN: Stainless Steel (AISI 303)

**PRODUCT CODE**

995 - 4 - 0 - 0  
GROUP CODE MATERIAL FINISH Hole

**⚠ Note:** Bolts are not supplied

For other materials please check: page 322



# STAINLESS STEEL PRODUCTS

## CONCEALED HINGE

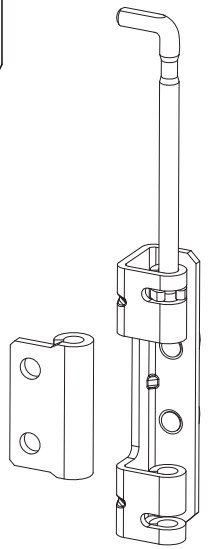
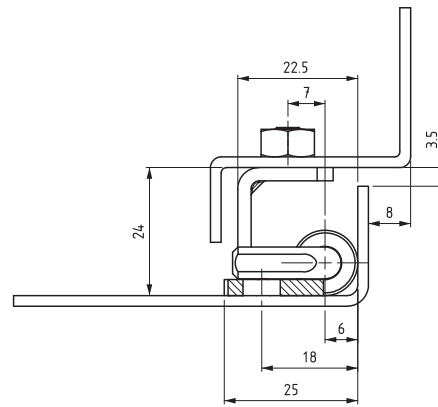
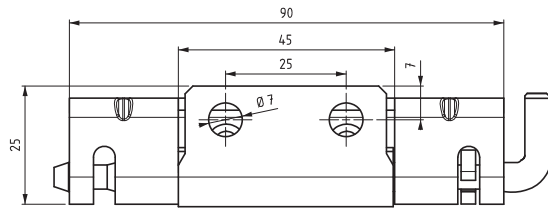
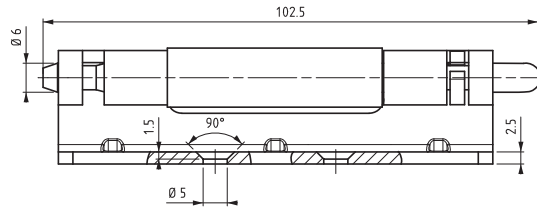
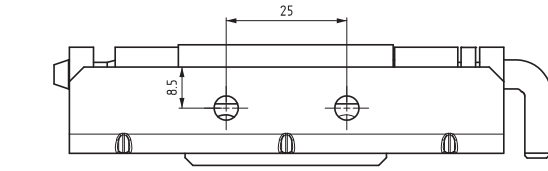
1995



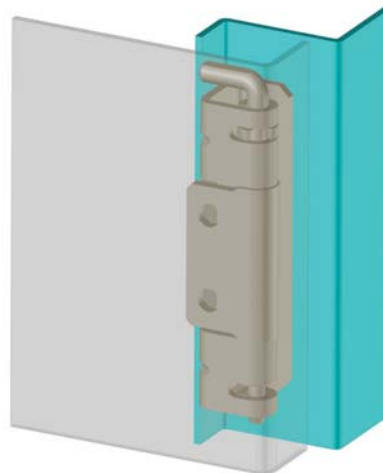
- Remove the door by just removing the pin
- Suitable for heavy-duty applications
- Suitable for 24 mm door bend cabinets

### MATERIAL

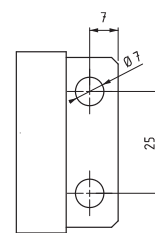
BODY: Stainless Steel (AISI 304)  
PIN: Stainless Steel (AISI 303)



For other materials please check: page 324

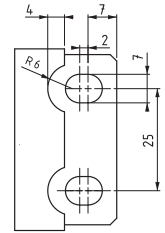


### Middle Parts



MP :1

Circle



MP :2

Slot

**Note:** Bolts are not supplied

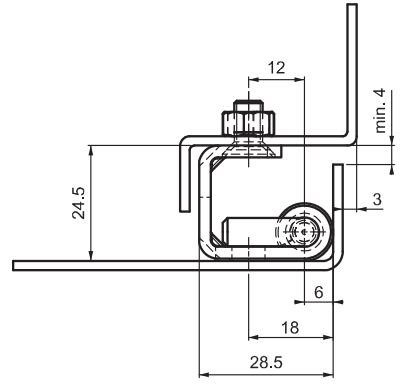
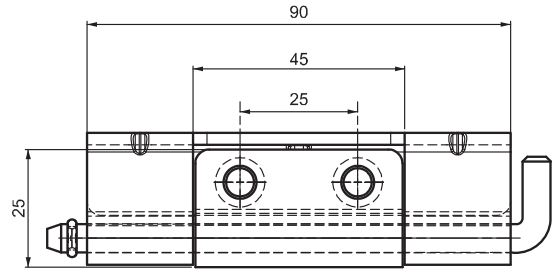
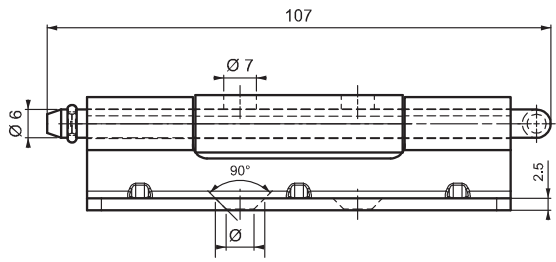
### PRODUCT CODE

1995	-	4	-	0	-	4	-	MP	-	0
GROUP CODE		MATERIAL		FINISH		VERSION		MIDDLE PART		HOLE

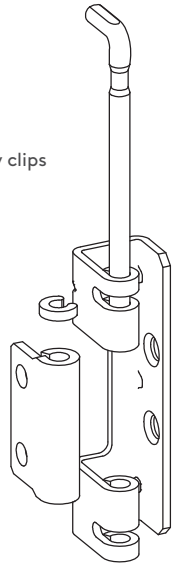


995

CONCEALED HINGE



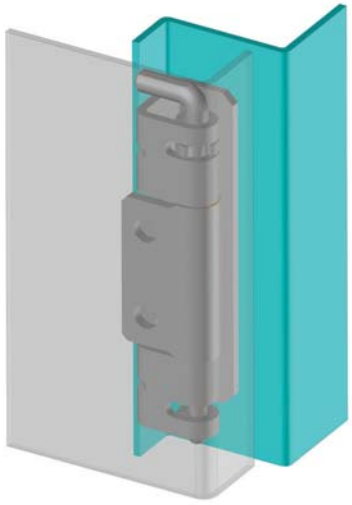
Fixed by clips



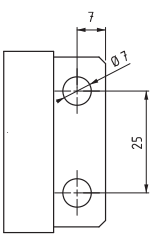
- Remove the door by just removing the pin
- Suitable for heavy-duty applications
- Suitable for 24.5 mm bend door cabinets

**MATERIAL**

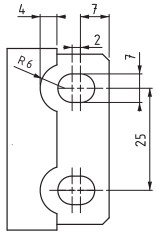
BODY: Stainless Steel (AISI 304)  
PIN: Stainless Steel (AISI 303)



**Middle Parts**



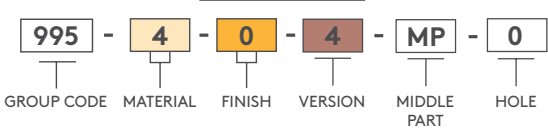
**MP :1**  
Circle



**MP :2**  
Slot

For other materials please check: page 322

**PRODUCT CODE**



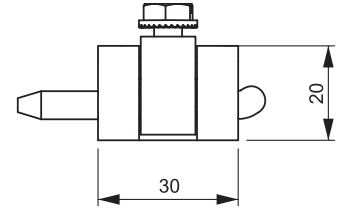
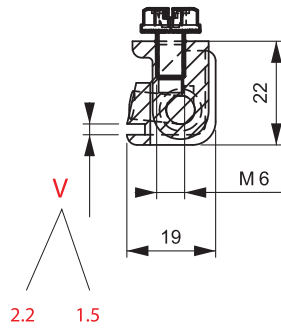
# STAINLESS STEEL PRODUCTS

## CORNER HINGE

097



RoHS



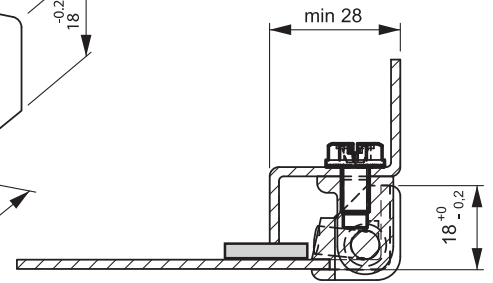
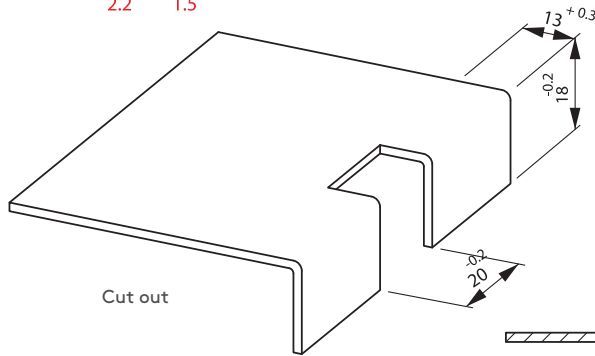
- Corner hinge
- Suitable for steel panels with a thickness of between 1.0 mm and 2.2 mm
- Hinge pin available in three types

### APPLICATIONS

Small electric panels

### MATERIAL

FIXED, MOVABLE PARTS: Stainless Steel  
PIN: Stainless steel or Poliasetal (Delrin)



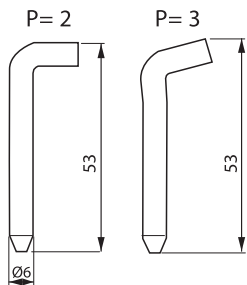
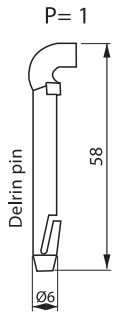
**V : 15**

For 1.0 mm - 1.2mm door plate thickness  
(097 4-0-P-15)

**V : 22**

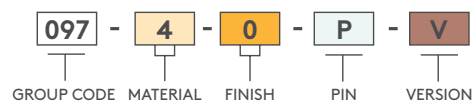
For 1.5 mm - 2.2 mm door plate thickness  
(097 4-0-P-22)

Hinge Rotation Angle



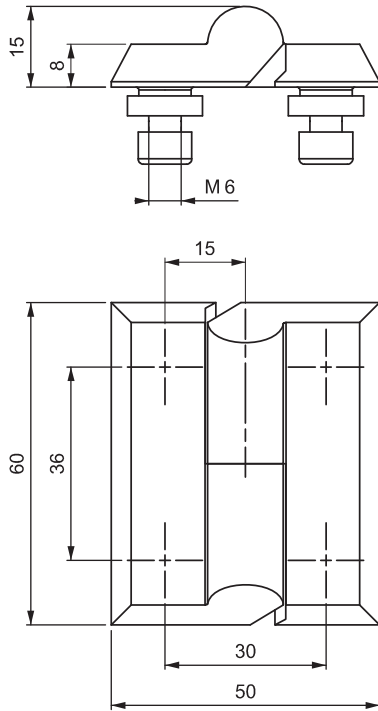
For other materials please check:  
page 338

### PRODUCT CODE



3599

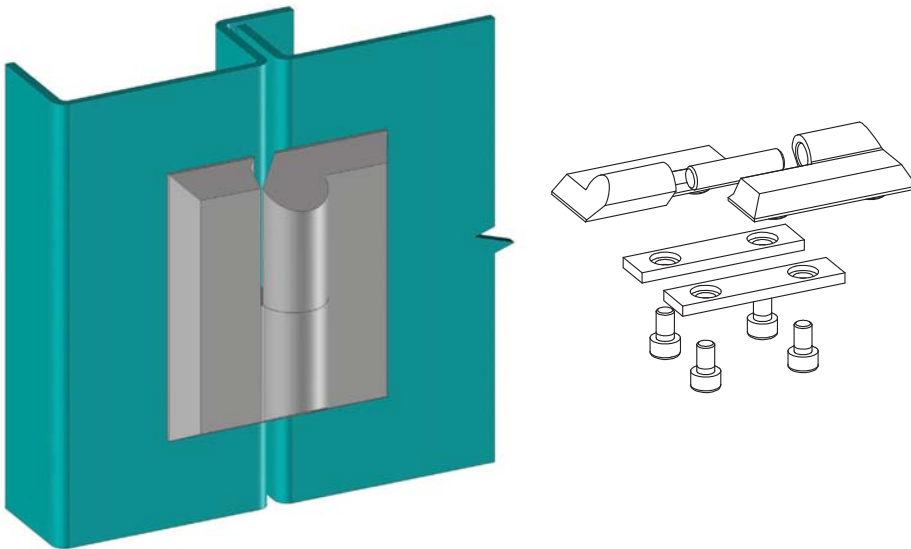
LIFT-OFF HINGE



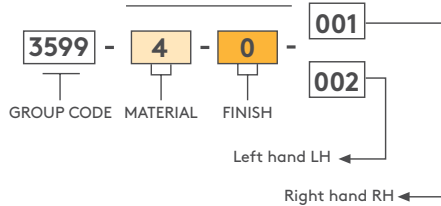
- Concealed mounting screws prevent external access to hinge
- Designed for plain/flush-mounted doors
- Suitable for left- and right-hand applications

**MATERIAL**

BODY: Stainless Steel (AISI 316)  
PIN: Stainless Steel (AISI 303)



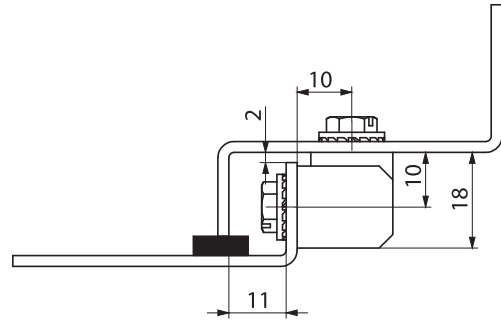
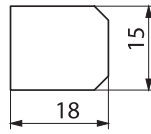
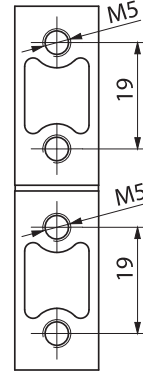
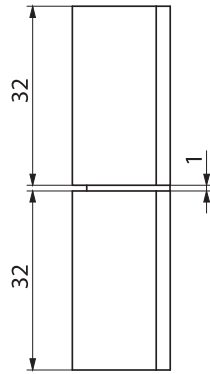
**PRODUCT CODE**



# STAINLESS STEEL PRODUCTS

## LIFT-OFF HINGE

1293

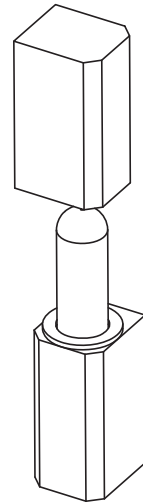
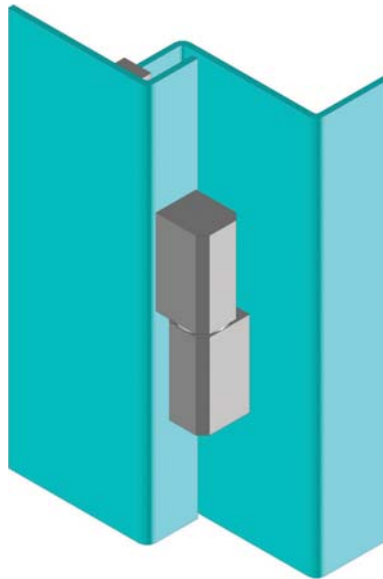


- Lift-off hinge
- Suitable for left- and right-hand applications
- Maximum hinge rotation 180°

### MATERIAL

BODY: Stainless Steel (AISI 304)  
PIN: Stainless Steel (AISI 303)

**⚠ Note:** Bolts are supplied

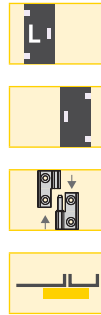
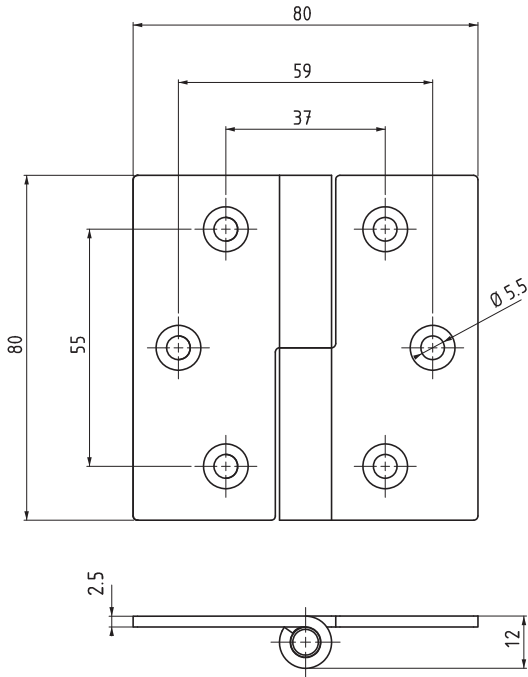


### PRODUCT CODE

1293 - 4 - 0  
GROUP CODE MATERIAL FINISH

4299

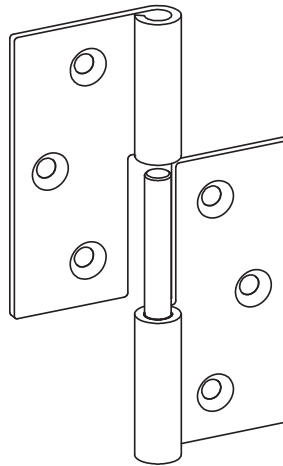
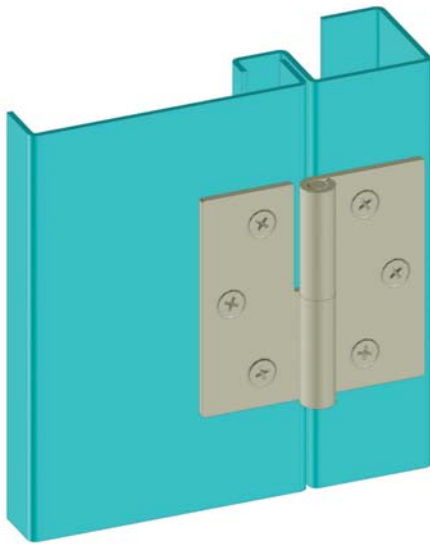
LIFT-OFF HINGE



- Designed for plain/flush-mounted doors
- Suitable for left- and right-hand applications

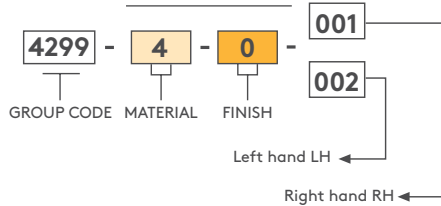
**MATERIAL**

BODY: Stainless Steel (AISI 304)  
PIN: Stainless Steel (AISI 303)



For other materials please check: page 378

**PRODUCT CODE**



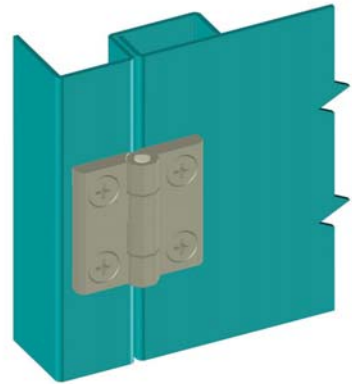
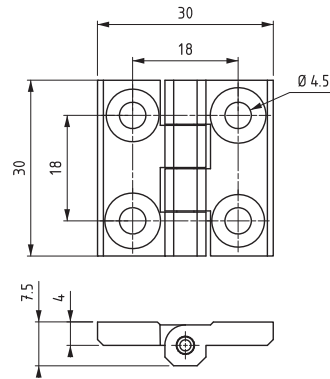
Hinge Rotation Angle



# STAINLESS STEEL PRODUCTS

## MINI LEAF HINGE

1299



- Generally used for plain/small flush mounted doors.
- Opening angle is 270°

### MATERIAL

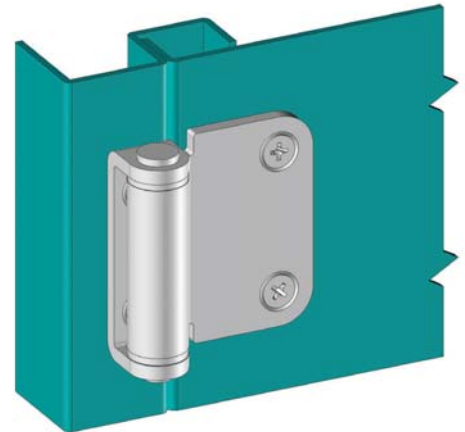
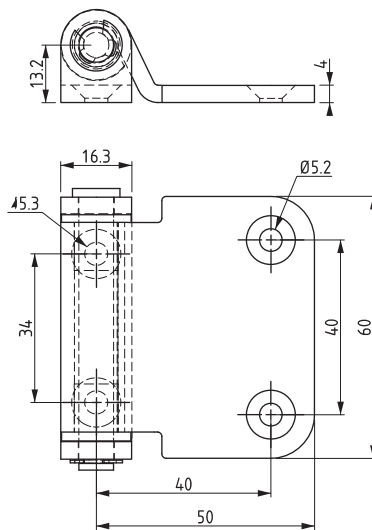
Stainless Steel (AISI 316)

### PRODUCT CODE

1299 - 4 - 0  
 GROUP CODE MATERIAL FINISH

## FLAT HINGE

600



- Designed for plain/flush-mounted doors.

### MATERIAL

BODY: Stainless Steel (AISI 316)  
 PIN: Stainless Steel (AISI 303)

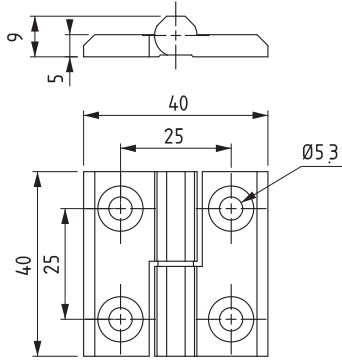
Hinge Rotation Angle



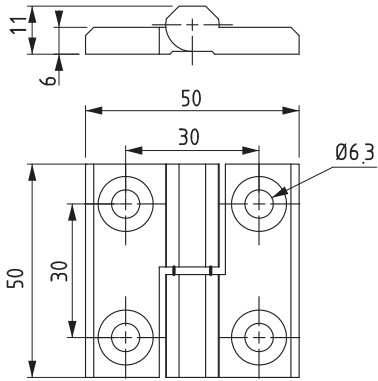
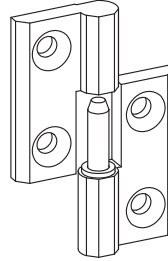
### PRODUCT CODE

600 - 4 - 0 - 00 - 3  
 GROUP CODE MATERIAL FINISH HEIGHT VERSION

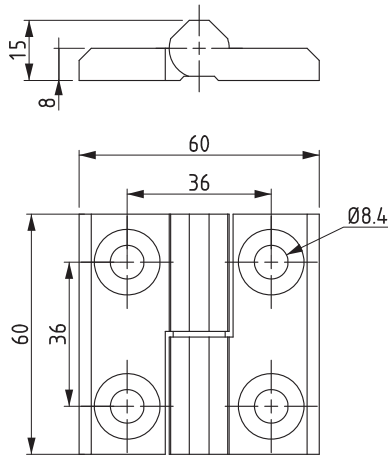
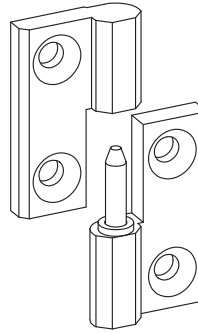
LIFT-OFF HINGE



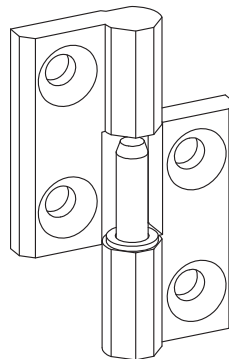
GROUP CODE: 3299



GROUP CODE: 3099



GROUP CODE: 3399



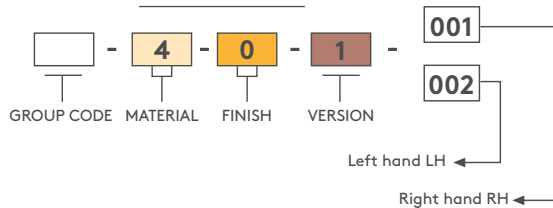
- Lift off hinge
- Suitable for left- and right-hand applications
- Opening angle 270°

**MATERIAL**  
Stainless Steel (AISI 316)

Hinge Rotation Angle



PRODUCT CODE





# STAINLESS STEEL PRODUCTS

## LEAF HINGE

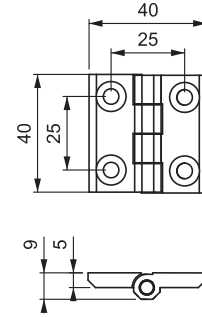
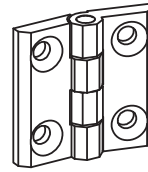
299



RoHS



V : 3



### PRODUCT CODE

299 - 4 - 0 - 3  
 GROUP CODE MATERIAL FINISH VERSION

- Generally used for plain/flush mounted doors
- Maximum hinge rotation 270°

**MATERIAL**  
 Stainless Steel (AISI 316)

## LEAF HINGE

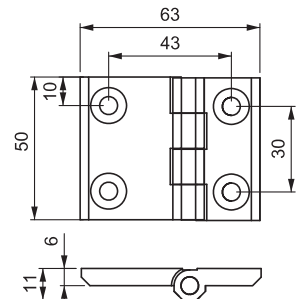
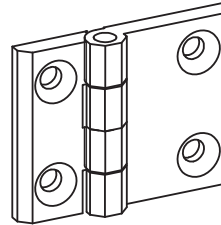
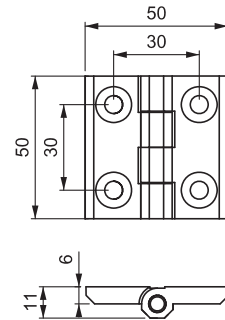
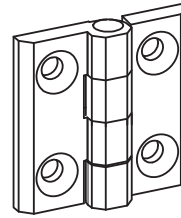
099



RoHS



V : 7



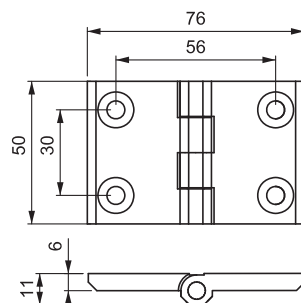
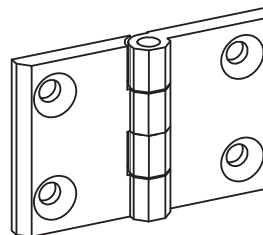
- Generally used for plain/flush mounted doors
- Maximum hinge rotation 270°

**MATERIAL**  
 Stainless Steel (AISI 316)

Hinge Rotation Angle



V : 10



### PRODUCT CODE

099 - 4 - 0 - V  
 GROUP CODE MATERIAL FINISH VERSION

For other materials please check:  
 page 360



399

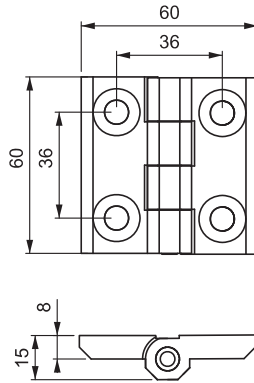
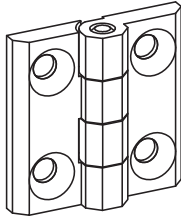
LEAF HINGE



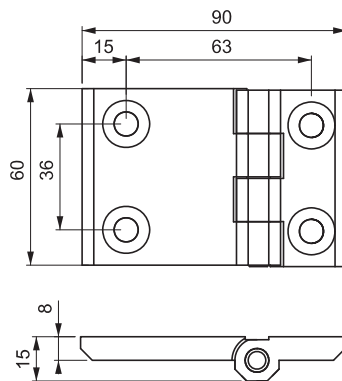
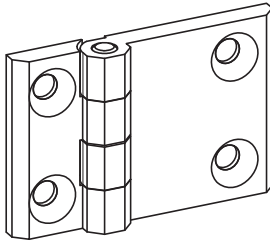
- Generally used for plain/flush-mounted, isolated heavy doors
- Available in three sizes, hole fixing:
  - 60 mm x 60 mm
  - 60 mm x 90 mm
  - 60 mm x 120 mm
- Maximum hinge rotation 270°

**MATERIAL**  
Stainless Steel (AISI 316)

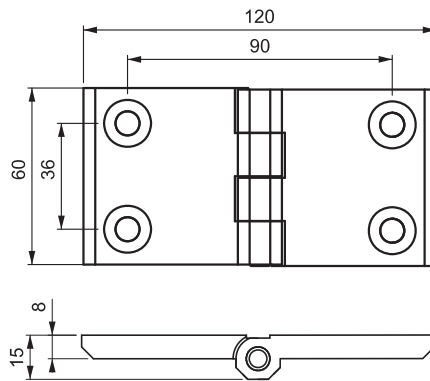
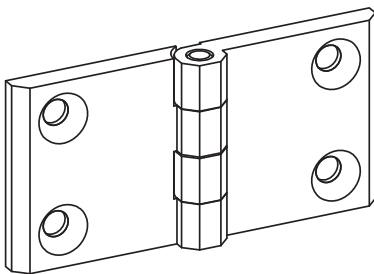
V : 4



V : 5



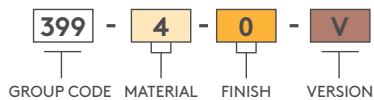
V : 6



Hinge Rotation Angle



PRODUCT CODE



For other materials please check: page 365

# STAINLESS STEEL PRODUCTS

## LEAF HINGE

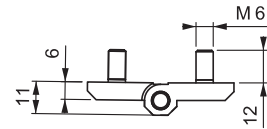
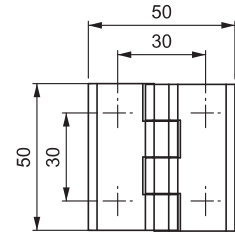
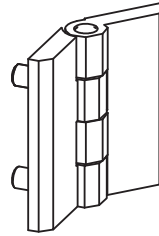
099



RoHS



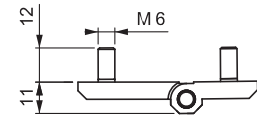
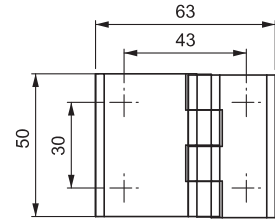
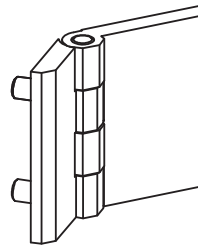
V :1



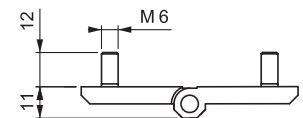
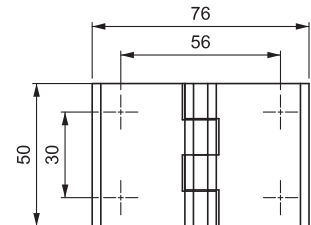
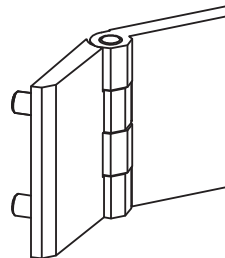
- Generally used for plain/flush mounted doors
- Maximum hinge rotation 270°
- Stud versions fitted with M6 x 12 mm threaded stud

**MATERIAL**  
Stainless Steel (AISI 316)

V :8



V :9



Hinge Rotation Angle



For other materials please check:  
page 362

### PRODUCT CODE

099 - 4 - 0 - V  
GROUP CODE MATERIAL FINISH VERSION

399

LEAF HINGE



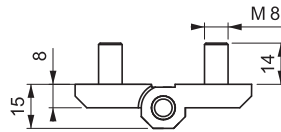
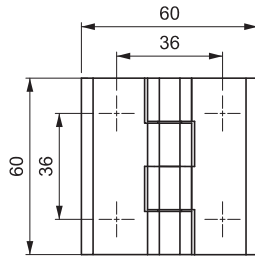
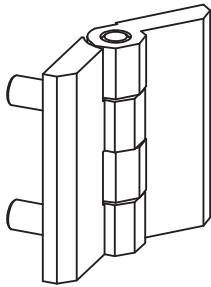
- Generally used for plain/flush-mounted, isolated heavy doors
- Available in three sizes, stud fixing:
  - 60 mm x 60 mm
  - 60 mm x 90 mm
  - 60 mm x 120 mm
- Stud versions fitted with M8 x 14 mm threaded stud
- Maximum hinge rotation 270°

**MATERIAL**  
Stainless Steel (AISI 316)

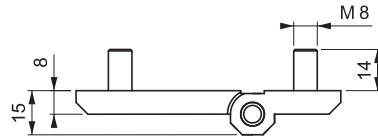
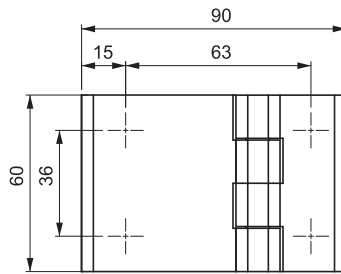
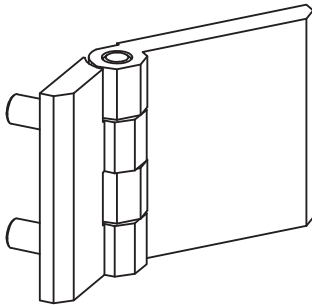
Hinge Rotation Angle



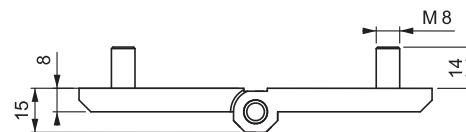
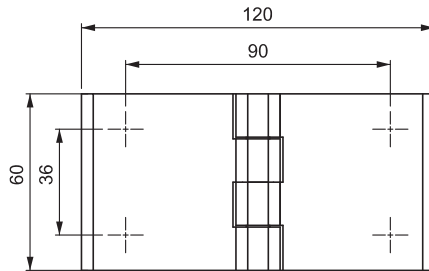
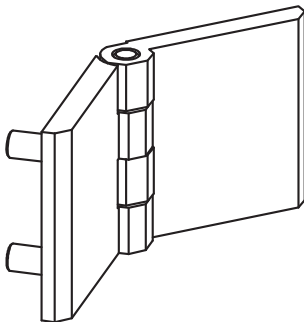
V :1



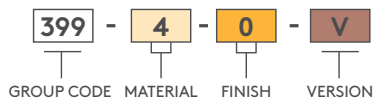
V :2



V :3



PRODUCT CODE

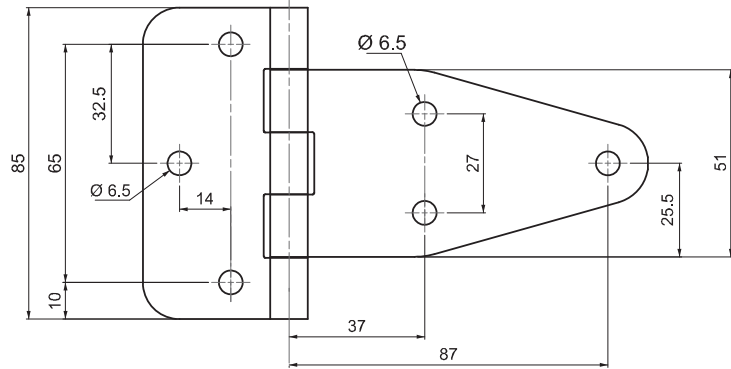
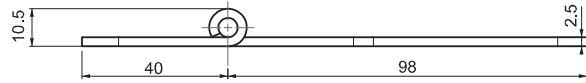


For other materials please check: page 365

# STAINLESS STEEL PRODUCTS

## LEAF HINGE

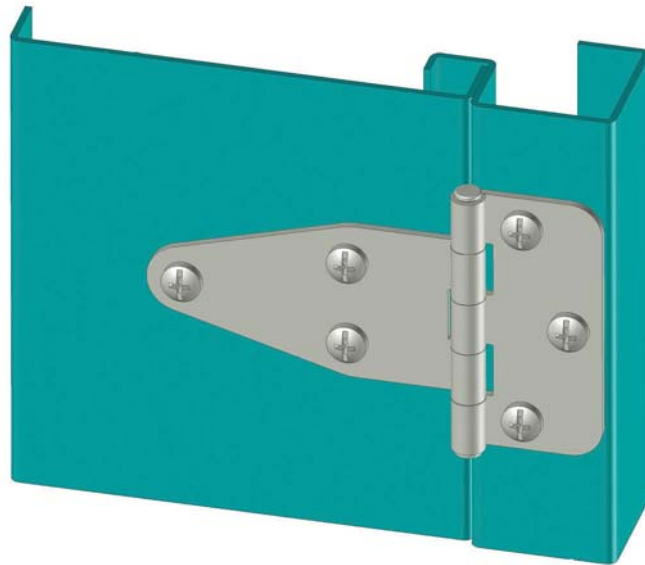
599



- Generally used for plain/flush-mounted, isolated, heavy doors
- Both parts attached by screws or nuts and bolts
- Hinge Rotation angle 180°

### MATERIAL

BODY: Stainless Steel (AISI 304)  
PIN: Stainless Steel (AISI 303)



Hinge Rotation Angle



For other materials please check:  
page 373

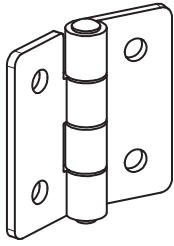
### PRODUCT CODE

599 - 4 - 0

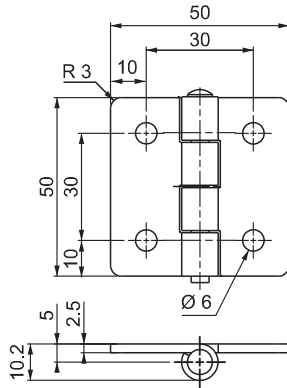
GROUP CODE MATERIAL FINISH

799

LEAF HINGE



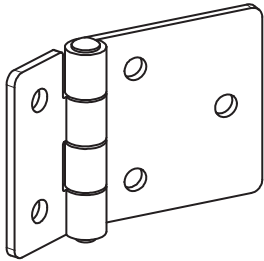
V : 1



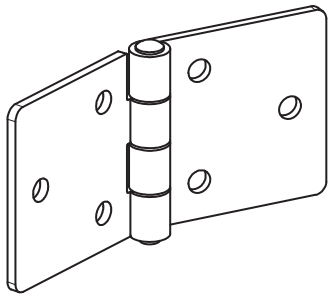
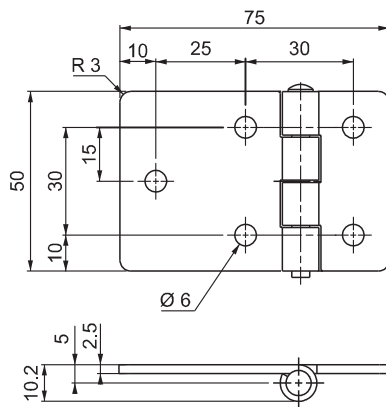
• Generally used for plain/flush-mounted, isolated, heavy doors

**MATERIAL**

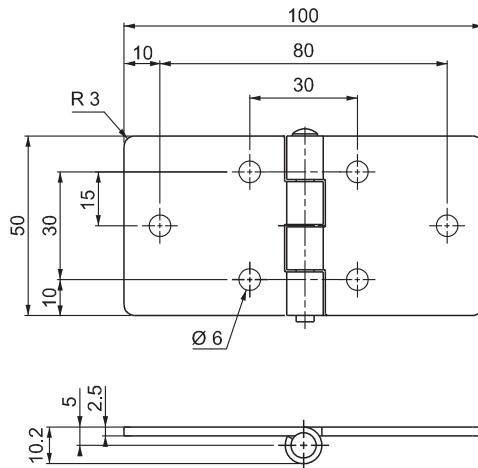
BODY: Stainless Steel (AISI 304)  
PIN: Stainless Steel (AISI 303)



V : 2



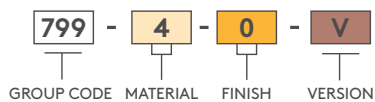
V : 3



Hinge Rotation Angle



**PRODUCT CODE**



For other materials please check: page 376

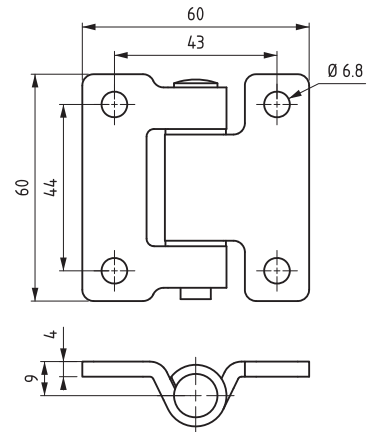
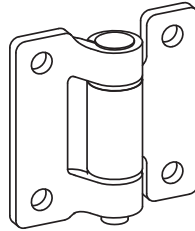
# STAINLESS STEEL PRODUCTS

## LEAF HINGE

1599



V :1

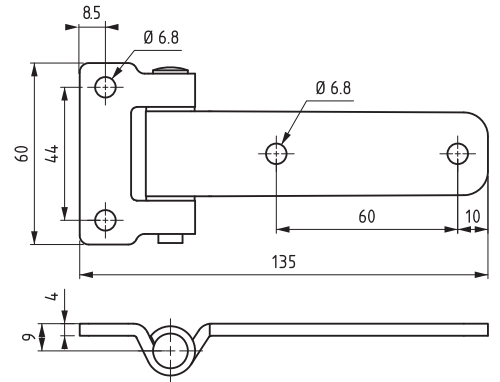
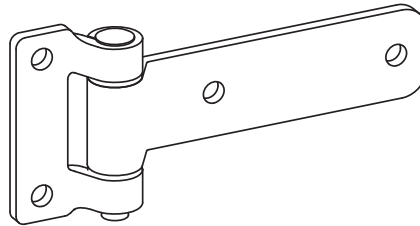


- Generally, used for plain/flush mounted, isolated, heavy doors.
- Both parts are attached by screws or nuts and bolts
- Hinge Rotation angle is 180°

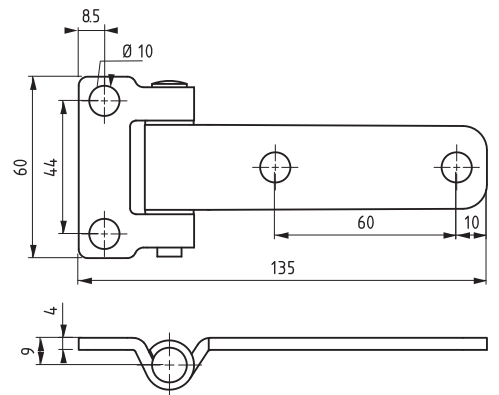
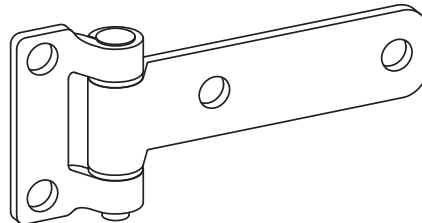
### MATERIAL

BODY: Stainless steel (AISI 304)  
PIN: Stainless steel (AISI 303)

V :2



V :3



For other materials please check: page 374

Hinge Rotation Angle



**Note:** Bolts are not supplied

### PRODUCT CODE

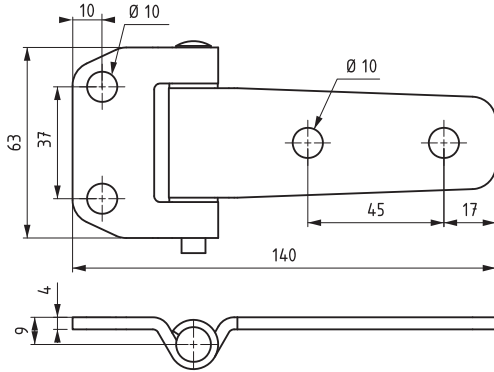
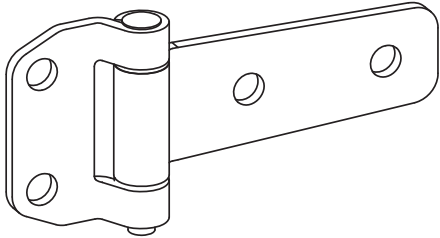
1599 - 4 - 0 - V

GROUP CODE MATERIAL FINISH VERSION

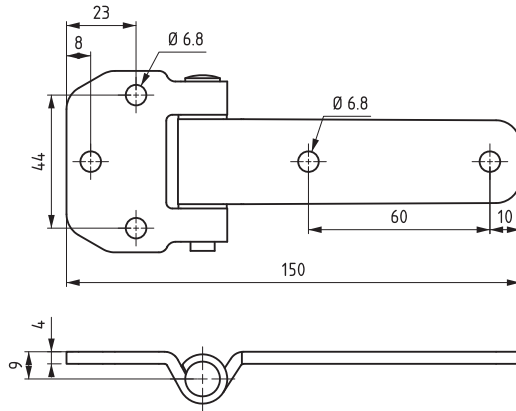
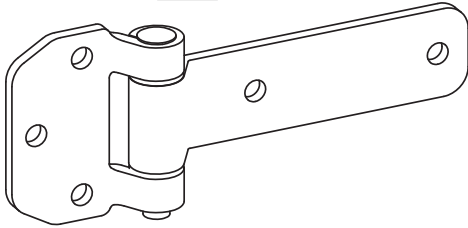
1599

LEAF HINGE

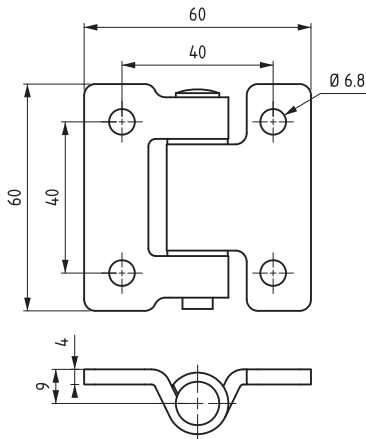
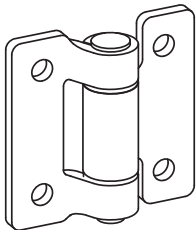
V : 4



V : 5



V : 6



- Generally, used for plain/ flush mounted, isolated, heavy doors.
- Both parts are attached by screws or nuts and bolts
- Hinge Rotation angle is 180°

**MATERIAL**

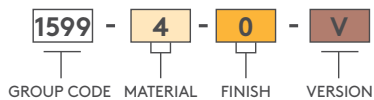
BODY: Stainless steel (AISI 304)  
PIN: Stainless steel (AISI 303)

For other materials please check: page 375

Hinge Rotation Angle



**PRODUCT CODE**



**Note:** Bolts are not supplied



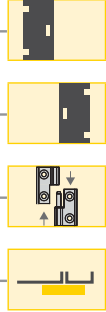
# STAINLESS STEEL PRODUCTS

## LEAF HINGE (Lift-off)

899



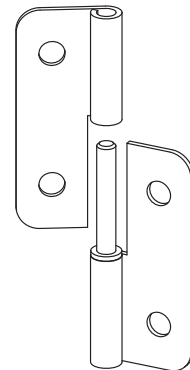
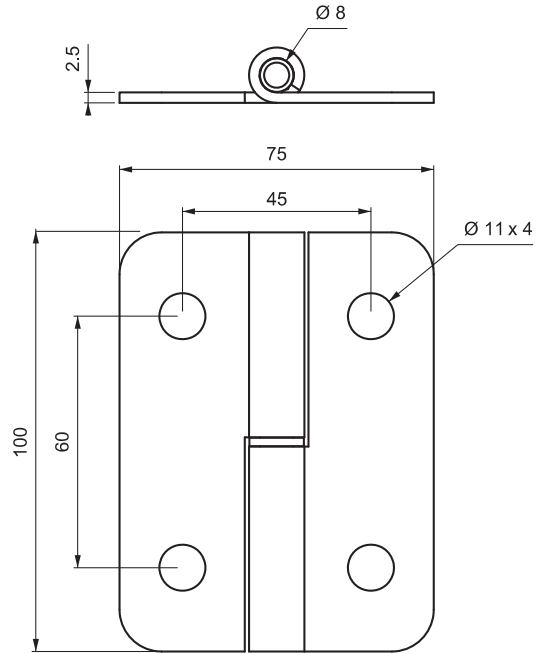
RoHS



- Heavy-duty, lift-off hinge, corrosion resistant
- Suitable for left- and right-hand applications
- Opening angle 180°

### MATERIAL

BODY: Stainless Steel (AISI 304)  
PIN: Stainless Steel (AISI 303)



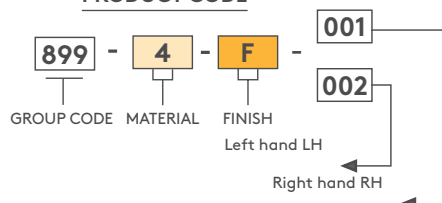
For other materials please check: page 371

Hinge Rotation Angle

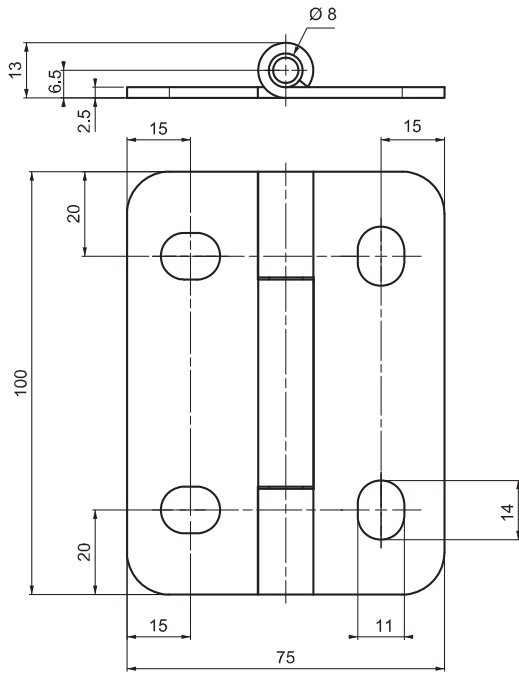


**Note:** Bolts are not supplied

### PRODUCT CODE



FINISH	F
No finish	0
Black coated	2



999

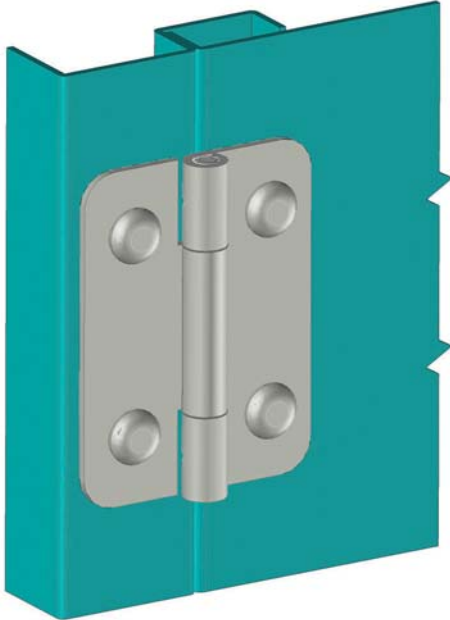
LEAF HINGE

- RoHS
- 
- 

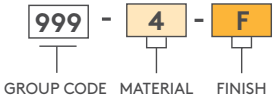


- Generally used for plain/flush-mounted doors
- Suitable for outdoor applications
- Opening angle 270°
- Body made of stainless steel

**MATERIAL**  
 BODY: Stainless Steel (AISI 304)  
 PIN: Stainless Steel (AISI 303)



PRODUCT CODE



FINISH	F
No finish	0
Black coated	2

Hinge Rotation Angle



**Note:** Bolts are not supplied

# STAINLESS STEEL PRODUCTS

## LEAF HINGE

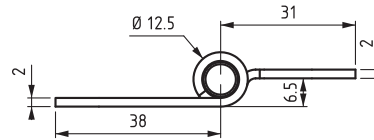
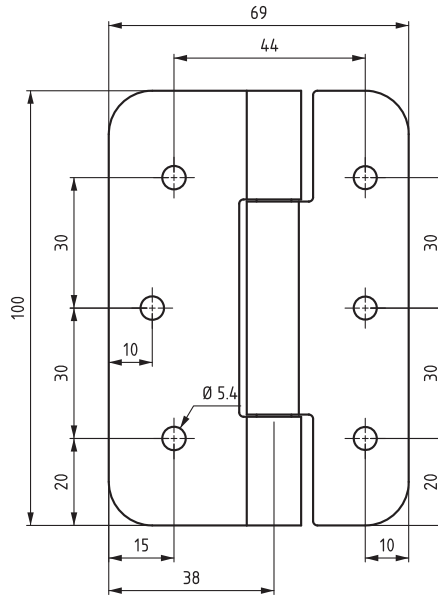
2999



- Generally used for plain/flush-mounted, isolated, heavy doors

**MATERIAL**

BODY: Stainless Steel (AISI 304)  
PIN: Stainless Steel (AISI 303)



Hinge Rotation Angle

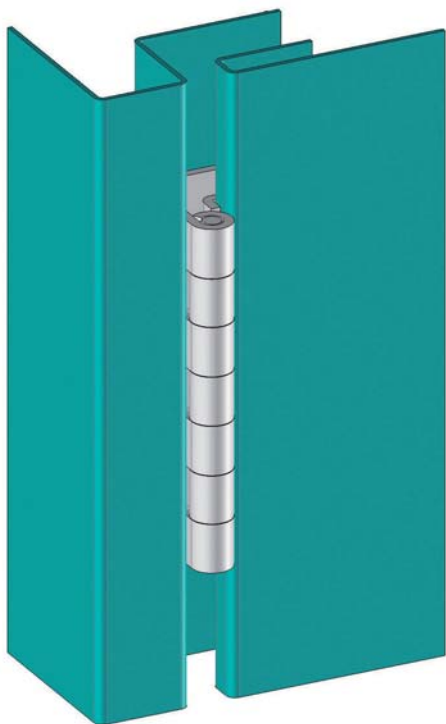
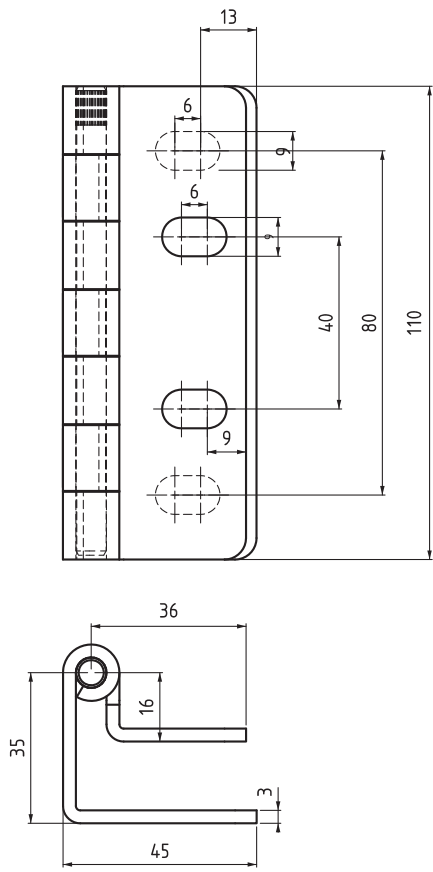


**!** Note: Bolts are not supplied

**PRODUCT CODE**

2999 - 4 - 0

GROUP CODE MATERIAL FINISH



2890

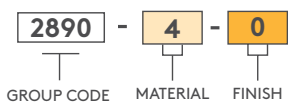
CONCEALED HINGE



- Suitable for outdoor applications
- Heavy-duty hinge

**MATERIAL**  
 BODY: Stainless Steel (AISI 304)  
 PIN: Stainless Steel (AISI 303)

PRODUCT CODE



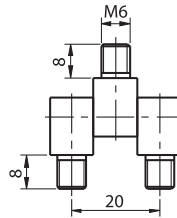
# STAINLESS STEEL PRODUCTS

## SIDE HINGE (10 mm)

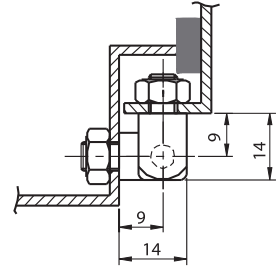
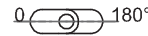
090



✓  
RoHS



Hinge Rotation Angle



- Side mounted hinge
- Three 10 mm Stainless steel parts supplied separately
- For different dimensions contact Essentra

### MATERIAL

Stainless Steel (AISI 303/304)

### PRODUCT CODE

090 - 4 - 0  
GROUP CODE MATERIAL FINISH

## SIDE HINGE (12 mm)

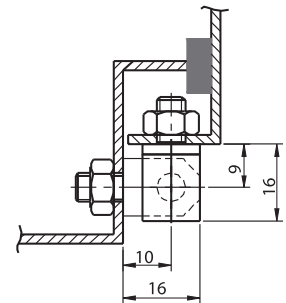
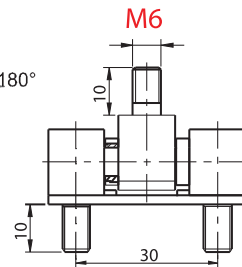
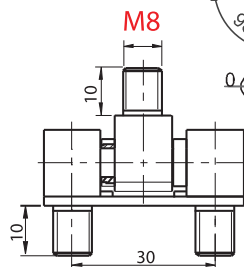
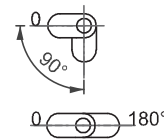
092



✓  
RoHS



Hinge Rotation Angle



- Side mounted hinge
- 12 mm parts and stainless steel bearings
- Parts are assembled by fixing plate
- For different dimensions, please contact Essentra
- 90° and 180° angle versions are available

### MATERIAL

Stainless Steel (AISI 303/304)

M8 → 092 M-F- 8-90°  
092 M-F -8-180°

M6 → 092 M-F- 6-90°  
092 M-F- 6-180°

### PRODUCT CODE

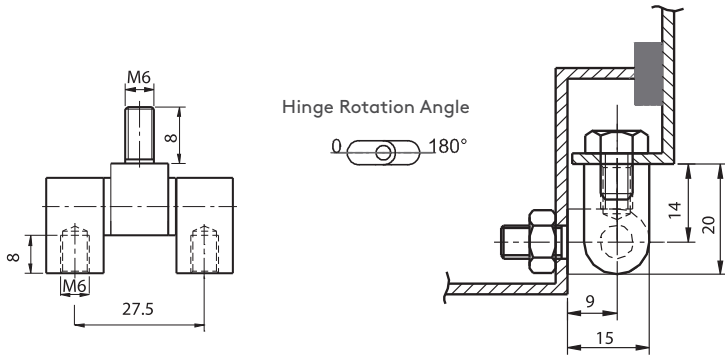
092 - 4 - 0  
GROUP CODE MATERIAL FINISH

For other materials please check: page 254

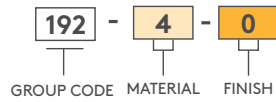


192

SIDE HINGE (12 mm)



PRODUCT CODE

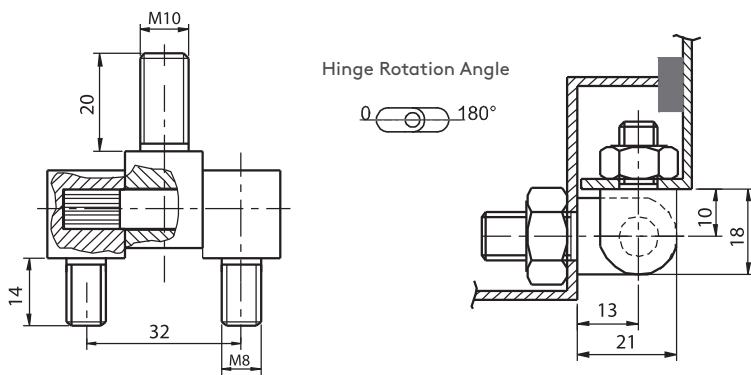


- Side-mounted hinge
- 12 mm parts and bearings made of stainless steel
- Parts are tightly fitted

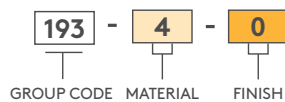
**MATERIAL**  
Stainless Steel (AISI 303/304)

193

SIDE HINGE (16 mm)



PRODUCT CODE



- Side-mounted hinge
- 16 mm parts made of stainless steel
- Parts are tightly fitted.

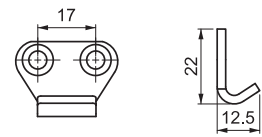
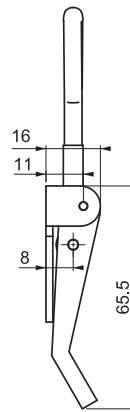
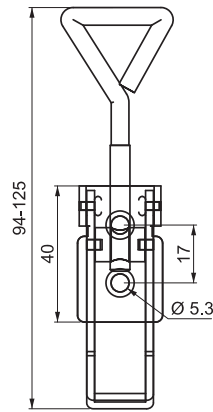
**MATERIAL**  
Stainless Steel (AISI 303/304)

For other materials please check:  
page 255

## STAINLESS STEEL PRODUCTS

### TOGGLE LATCH

340.00.134



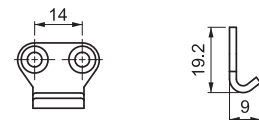
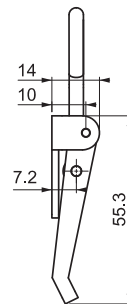
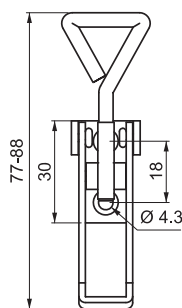
Catch plate

- Used for: tool boxes, cabinets, ships, agriculture and material equipments

**MATERIAL**  
Stainless Steel (AISI 304)

### TOGGLE LATCH

340.00.132



Catch plate

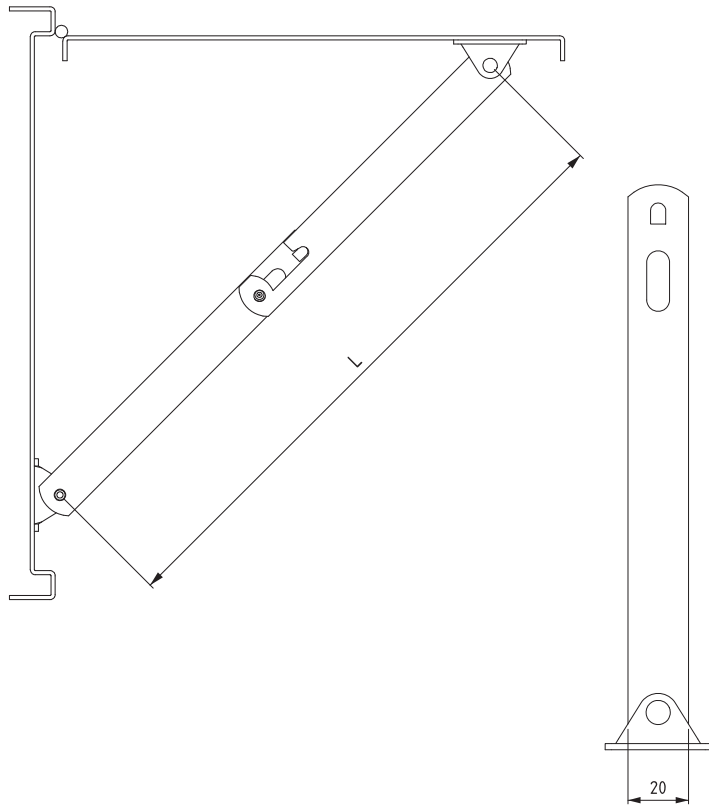
- Used for: tool boxes, cabinets, ships, agriculture and material equipments

**MATERIAL**  
Stainless Steel (AISI 304)

For other materials please check:  
page 436

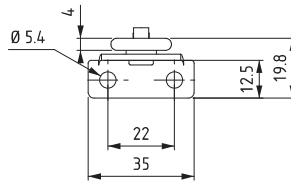
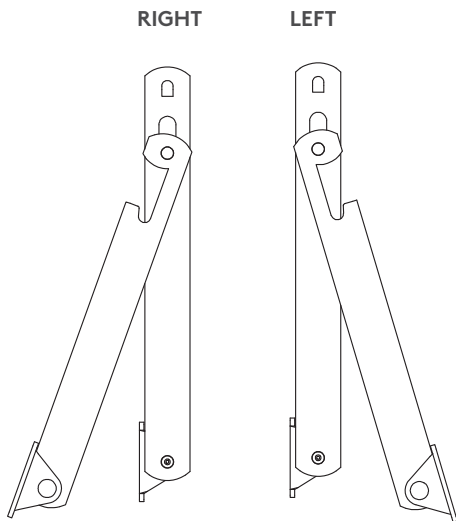
279

COVER STAY



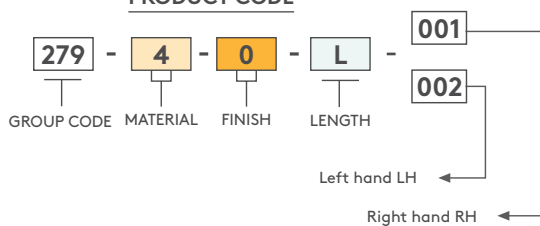
- Suitable for heavy-duty applications
- Manufactured using 4 mm thick steel

**MATERIAL**  
Stainless Steel (AISI 304)



Lmm
292
202
135

PRODUCT CODE



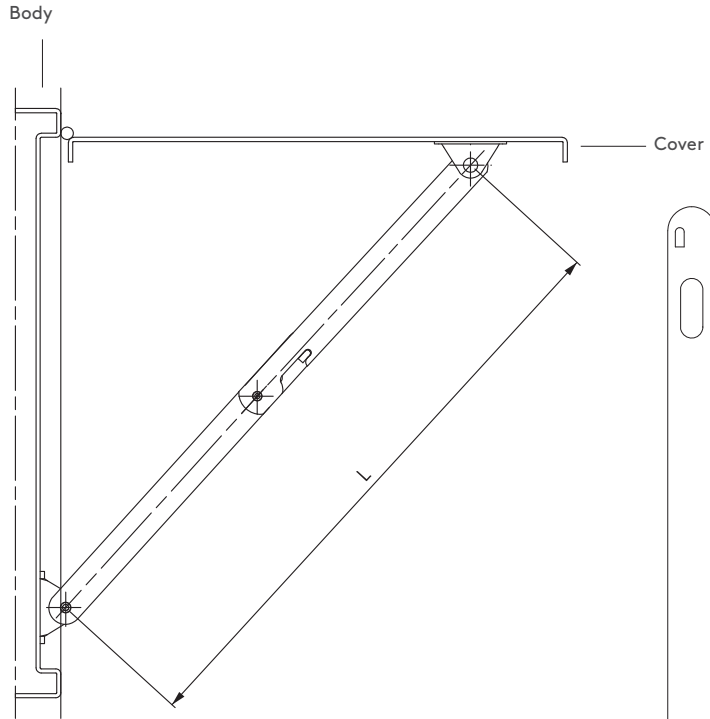
For other materials please check: page 443



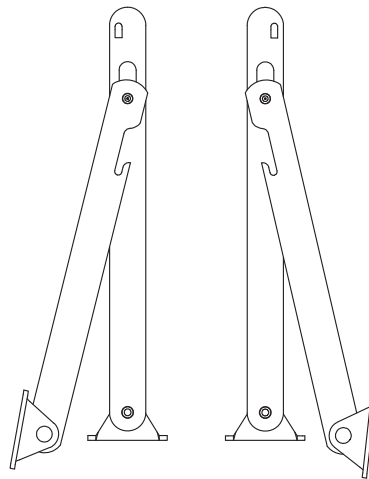
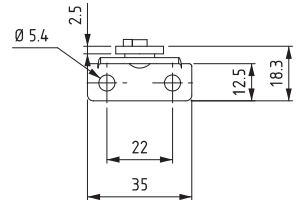
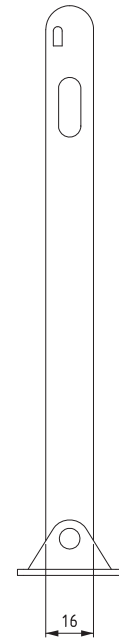
# STAINLESS STEEL PRODUCTS

## COVER STAY

079



LEFT RIGHT



Lmm

292

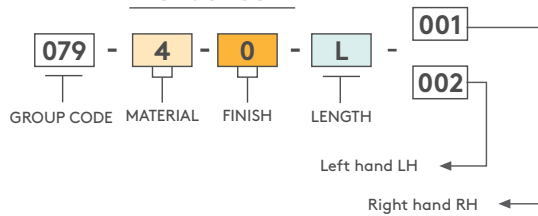
202

135

**MATERIAL**  
Stainless Steel (AISI 304)

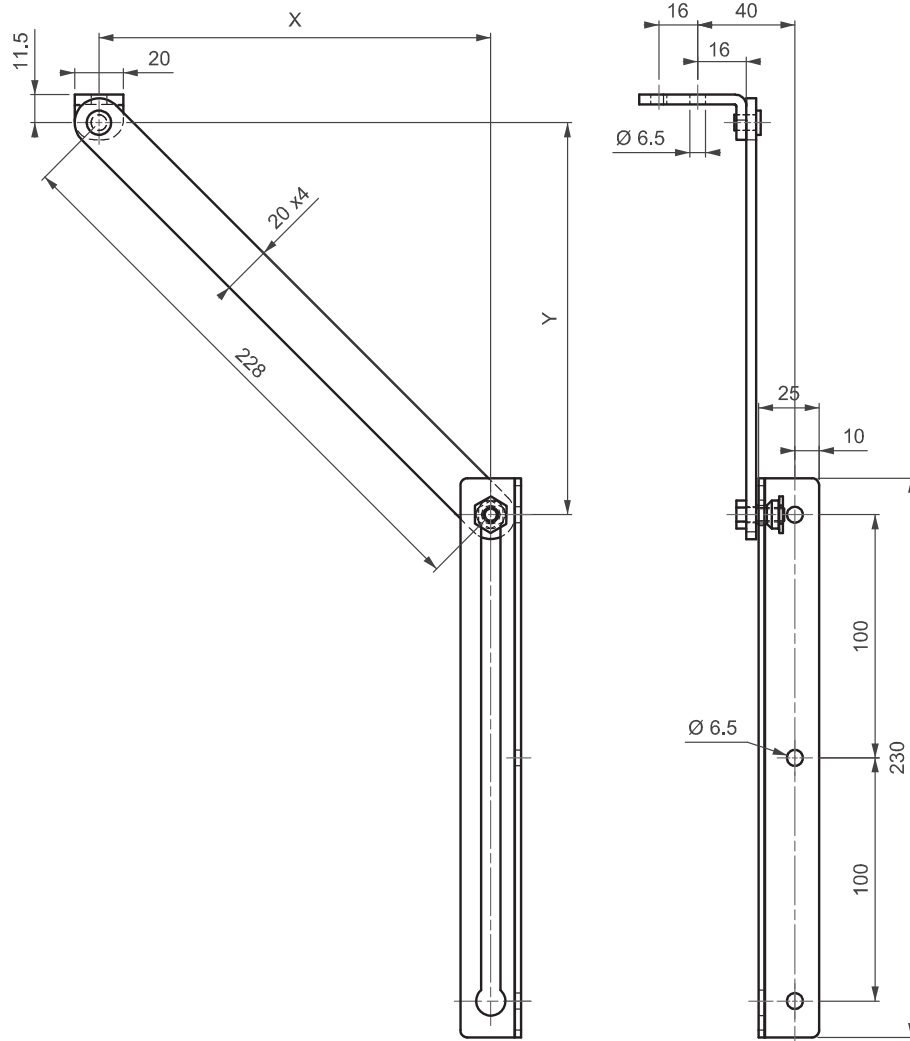
For other materials please check:  
page 442

### PRODUCT CODE



179

COVER STAY



- Cover Stay with automatic lock to keep the door open
- suitable for left- and right-hand application

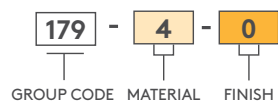
**MATERIAL**  
Stainless Steel (AISI 304)

Installation dimensions

OPENING ANGLE	DIMENSIONS		MINIMAL DOOR WIDTH
	X	Y	
90°	140	180	405
105°	120	166	390
120°	110	150	375
135°	100	146	370

For other configurations:  
 $y = X + \text{min.}40$

PRODUCT CODE



For other materials please check:  
page 444



# ELECTRONIC LOCKING SYSTEM



## ELECTRONIC LOCKING SYSTEM

GROUP CODE	PRODUCT NAME
3402	ACCESS CONTROL UNIT (ACU)
3403	ACCESS CONTROL UNIT (ACU PLUS)
3416	STANDALONE ACCESS INTERFACE (S-AIK) - KEYPAD
3417	STANDALONE ACCESS INTERFACE (S-AIP) - PROXIMITY
3414	ACCESS INTERFACE (AIK) - KEYPAD
3415	ACCESS INTERFACE (AIP) - PROXIMITY
	ACCESSORIES
340.0.26XX	ANALOG SENSORS
3101	ELECTRONIC SWINGHANDLE
3102	ELECTRONIC SWINGHANDLE
3103	ELECTRONIC SWINGHANDLE
3104	ELECTRONIC SWINGHANDLE
3111	ELECTRONIC SWINGHANDLE
3112	ELECTRONIC SWINGHANDLE
3105	ELECTRONIC SWINGHANDLE
3106	ELECTRONIC SWINGHANDLE
3341	ELECTRONIC KEEPER
3311	SOLENOID LOCK
3204	ELECTRONIC CABINET LOCK
3205	ELECTRONIC CABINET LOCK
3211	ELECTRONIC CABINET LOCK
3212	ELECTRONIC CABINET LOCK
3213	ELECTRONIC CABINET LOCK
3214	ELECTRONIC CABINET LOCK
3202	ELECTRONIC CABINET LOCK
3203	ELECTRONIC CABINET LOCK
3201	ELECTRONIC CABINET LOCK
3301	ELECTRONIC CABINET LOCK



PAGE

526

528

529

529

530

530

530

531

532

533

534

535

536

537

538

539

540

541

542

543

544

545

546

547

548

549

550

551



p528



p530



p534



p548



### MONITORING & ACCESS CONTROL CONCEPT

The security of IT cabinets in server rooms and data centres is becoming more important worldwide. The reason is that a typical IT infrastructure supports the entire organization and stores the know how of the company.

We have developed an integrated access control system called ELS.

This new system enables you to monitor and control your IT environment in a very efficient way. Sensors detect door access, variations in temperature, security and other variables to give you immediate notification and greater control over your network, all at a great value. Cabinet doors can be opened by RFID cards, a key pad or remote control units.

This solution manages who can open which cabinet doors and when and allows you to get a detailed report for each cabinet.

#### Basic features

- Provides environmental monitoring, access control and a management system
- Prevents unauthorized access
- Allows doors to be opened using a proximity card, keypad or via a web interface
- Accommodates sensors to monitor temperature, humidity, smoke, the presence of water or liquids, etc.
- Automatically generates an audio alert
- Records all the security information you need every time the door to a server cabinet is opened – whom, where, when



#### Applications

- Server cabinets
- Data centres
- Electric panels
- Telecommunications
- Kiosks
- GSM Cabinets



## SYSTEM OVERVIEW

- IP monitoring of environmental conditions in the rack cabinet
- Control of physical access to the rack cabinet
- User interface via proximity card reader or keypad
- Electronic lock access authorisation

### Monitoring and Access Control Units



- ACU : Access Control Unit
- ACU Plus : Access Control Unit
- AIK : Access Interface Keypad
- AIP : Access Interface Proximity

### Standalone Access Interfaces

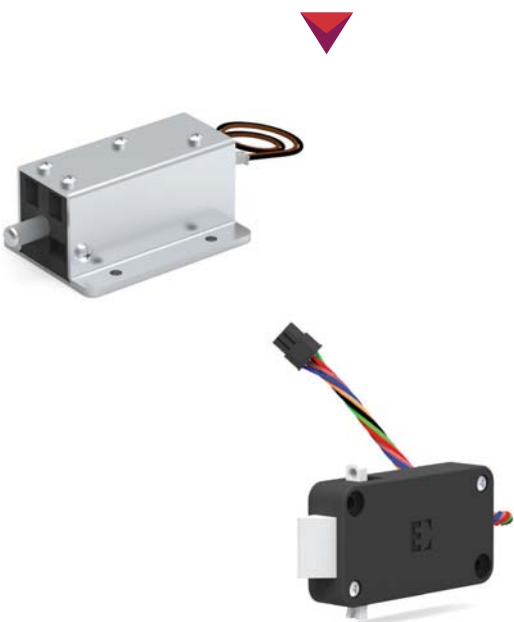


- S-AIK: Access Interface Keypad
- S-AIP: Access Interface Proximity

### Electronic Swinghandles



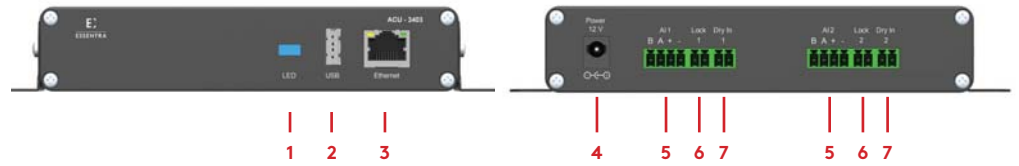
### Other Electromechanical Locks



# ▶ ELECTRONIC LOCKING SYSTEM

## ACU ACCESS CONTROL UNIT

3402



- 1 ▶ LED indicator
- 2 ▶ USB 2.0
- 3 ▶ Ethernet port 10/100
- 4 ▶ Power input (12VDC 3A)
- 5 ▶ 2 x access interface inputs
- 6 ▶ 2 x lock outputs
- 7 ▶ 2 x dry contact inputs

The ACU is an intelligent device for controlling electronic locks and monitoring door status.

- Control of physical access to the rack cabinet
- Monitors and manage security conditions over IP
- User database
- Management software for monitoring and configuring the unit
- A sensor for detecting the state of the door (open/closed) can be connected
- Up to two AIs (3414 and 3415) can be connected to ACU.

### MANAGEMENT SOFTWARE

- Configure network settings (IP address, subnet mask, default gateway, DNS, etc.) and user-administrative settings
- Add and remove users
- View and delete the logs

### APPLICATIONS

Suitable for data centres, co-location centres, web hosting facilities, telecom racks or any unmanned area/site that needs to be monitored

### Dry Contact Inputs

- Dry contact inputs to monitor changes in the environment
- Inputs can be used as sensor input for detecting the state of the door (open/closed)

### Access Interfaces

- 2 x access interface inputs allow access by entering a code number or presenting a proximity card.
- Possible to connect 3414 - AIK and 3415 - AIP devices.

### Lock Outputs

- 2 x lock outputs to control physical access to the cabinet
- Possible to connect wide range of locks.

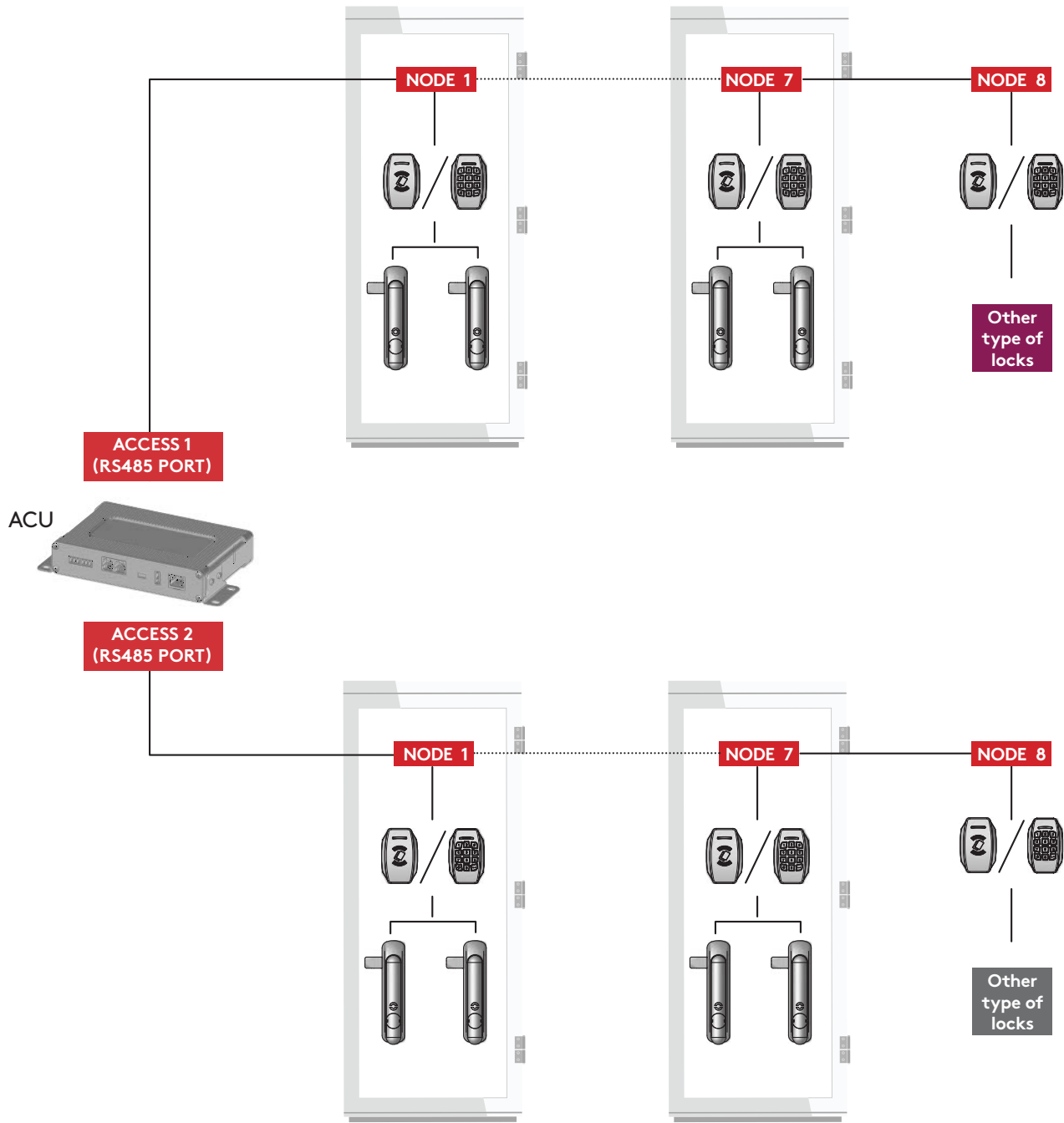
## MANAGEMENT SOFTWARE



- User friendly interface
- Support SMS and email notifications
- Monitor all door and handle status in one screen
- Control all connected swinghandle from remote
- MS SQL database
- Easy configuration with ELS Configuration Software



SYSTEM OVERVIEW



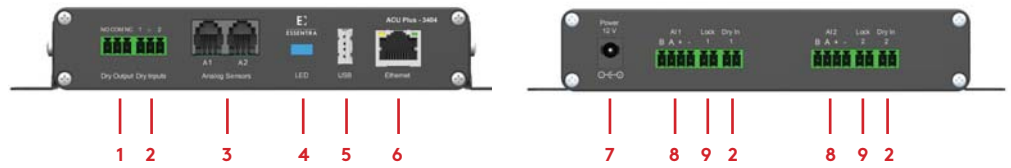
- Up to 18 access interfaces can be connected to access control unit.
- Up to 32 swinghandle can be controlled by one access control unit.
- Two access interfaces are reserved for use of different type of locks (Node 8).



## ACU PLUS ACCESS CONTROL UNIT



3403



- |                             |                                 |
|-----------------------------|---------------------------------|
| 1 ▶ Dry contact output (2A) | 6 ▶ Ethernet port 10/100        |
| 2 ▶ 4 x dry contact inputs  | 7 ▶ Power input (12VDC 3A)      |
| 3 ▶ 2 x analog sensors      | 8 ▶ 2 x access interface inputs |
| 4 ▶ LED indicator           | 9 ▶ 2 x lock outputs            |
| 5 ▶ USB 2.0                 |                                 |

The ACU Plus is an intelligent device for monitoring environmental variations, such as temperature, humidity, smoke, presence of water or liquids, etc. and controlling electronic locks and monitoring door status.

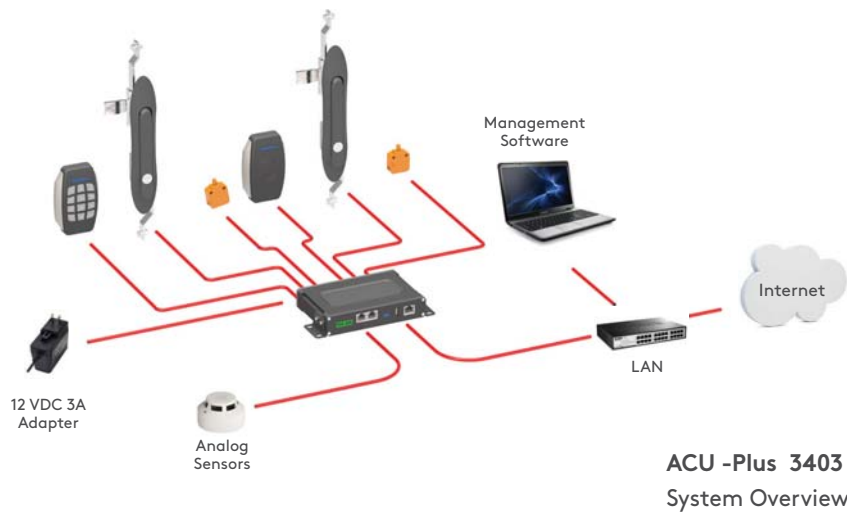
- Control of physical access to the rack cabinet
- Monitors and manage environmental and security conditions over IP
- Alerts are sent using email when any monitored environmental condition exceeds a user-specified range
- User database
- Management software for monitoring and configuring the unit
- A sensor for detecting the state of the door (open/closed) can be connected
- Up to 18 AIs (3414 and 3415) can be connected to ACU Plus.

### MANAGEMENT SOFTWARE

- Configure sensor thresholds, set automatic operation and alarm rules
- Monitor current sensor values and alarm status
- Configure network settings (IP address, subnet mask, default gateway, DNS, etc.) and user-administrative settings
- Add and remove users
- View and delete the logs

### APPLICATIONS

Suitable for data centres, co-location centres, web hosting facilities, telecom racks or any unmanned area/site that needs to be monitored



### Dry Contact Output

- Dry contact outputs to control, switch on/off external low power devices.
- Output can be used as a NO (Normally Open) or NC (Normally Closed).

### Dry Contact Inputs

- Dry contact inputs to monitor changes in the environment.
- Inputs can be used as sensor input for detecting the state of the door (open/closed)

### Analog Sensors

- 2 x analog sensors outputs to monitor environmental conditions.
- All types of Essentra analog sensors can be connected.

### Access Interfaces

- 2 x access interface inputs allow access by entering a code number or presenting a proximity card.
- Possible to connect 3414 - AIK and 3415 - AIP devices.

### Lock Outputs

- 2 x lock outputs to control physical access to the cabinet.
- Possible to connect wide range of locks.

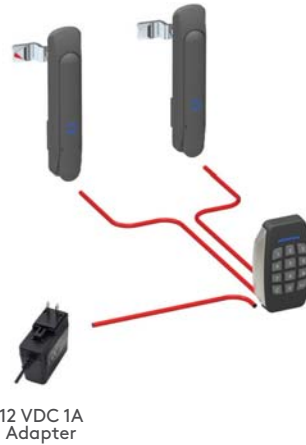
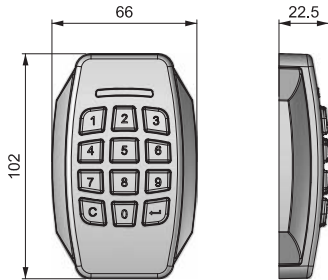


**3416**

**S-AIK STANDALONE ACCESS INTERFACE KEYPAD**



- Two level password (Master and User)
- Two lock outputs to control physical access to the cabinet
- Possible to connect wide range of locks including electronic swinghandles
- 12 Volt DC supply voltage
- Material: ABS Cover and Zinc Only5 Body
- It can control the locks separately
- Beep tones and LEDs on the AI device inform the user about the acceptance or rejection of an operation.



12 VDC 1A Adapter

**STATUS INDICATORS**

Signal 1		Ready
Signal 2		Error
Signal 3		Ok
Signal 3		Menu

Access interfaces are user-interface devices that allow access by entering a code number or presenting a proximity card.

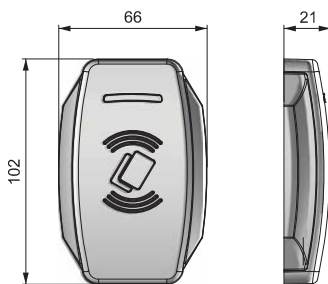
Beep tones and LEDs on the AI device inform the user about the acceptance or rejection of an operation.

**3417**

**S-AIP STANDALONE ACCESS INTERFACE PROXIMTY**



- 2 levels Card (RFID tag) management system (Master and User)
- Standard ISO-14443A RFID
- Two lock outputs to control physical access to the cabinet
- Possible to connect wide range of locks including electronic swinghandles
- 12 Volt DC supply voltage
- Material: ABS Cover and Zinc Only5 Body
- It can control the locks separately
- Beep tones and LEDs on the AI device inform the user about the acceptance or rejection of an operation.



12 VDC 1A Adapter



RFID card: 13.56Mhz MIFARE - Standard ISO14443A

Order separately  
Printed: (34002639)  
Unprinted: (34002640)

# ELECTRONIC LOCKING SYSTEM

## AIK ACCESS INTERFACE KEYPAD

**3414**



Access interfaces are user-interface devices that allow access by entering a code number or presenting a proximity card.

Beep tones and LEDs on the AI device inform the user about the acceptance or rejection of an operation.

## AIP ACCESS INTERFACE PROXIMITY

**3415**



These access interfaces are used with access control units and they can control to swinghandles ( ACU Plus - 3403 and ACU - 3402)

RFID card: 13.56Mhz MIFARE - Standard ISO14443A

Order separately

Printed: (34002639) / Unprinted: (34002640)



## ACCESSORIES



**AC-DC Power Supply**  
12 Volt DC 3 Amper  
(34002625)

- Universal input voltage range.
- Up to 36 W continuous power.
- Interchangeable Ac blades for global use.
- Used with monitoring access control units

**Note:** 34002625 Europe blade included.  
Please contacts Essentra for other blades.



**AC-DC Power Supply**  
12 Volt DC 1 Amper  
(34030041)

- Universal input voltage range.
- Up to 12 W continuous power.
- Used with standalone access interfaces.



**RS 485 Repeater**  
(34030063)

- Used to connect access interfaces ( AIK - 3414 and AIP - 3415) to each other.



**Electronic swinghandle connection cable**

CABLE LENGHT	CODE
0,4 meter	34030039
4 meter	34030006
6 meter	34030064

- Used to connect Electronic swing handles to standalone access interfaces
- The same connectors are crimped both ends of the cable.








**ACU - AI connection cable**  
(4 meter)  
(34030040)

- Used to connect access interfaces ( AIK - 3414 and AIP - 3415) to monitoring and access control units.



**ANALOG SENSORS**

<p>Sensor is needed for measurement of temperature indoors.</p> <p>Temperature : Min. -50° C - Max.105° C / Humidity : Min. 5% - Max. 95% (Non-Condensing)</p>	<p>Temperature</p>  <p>34002631</p>
<p>Sensor is needed for measurement of temperature outdoors</p> <p>Temperature : Min. -10° C - Max.80° C / Humidity : Min. 5% - Max. 95% (Non-Condensing)</p>	<p>Outdoor Temperature</p>  <p>34002637</p>
<p>Sensor is needed for measurement of relative humidity 10-95% indoors with relative accuracy 5%.</p> <p>Temperature : Min. -10° C - Max.80° C / Humidity : Min. 5% - Max. 95% (Non-Condensing)</p>	<p>Humidity</p>  <p>34002649</p>
<p>Sensor is needed for measurement of AC 110-240V</p> <p>Temperature : Min. -10° C - Max.80° C / Humidity : Min. 5% - Max. 95% (Non-Condensing)</p>	<p>AC Voltage</p>  <p>34002638</p>
<p>At installation on doors, windows, etc., sensor controls status of door, window: opened, closed.</p> <p>Temperature : Min. -10° C - Max.80° C / Humidity : Min. 5% - Max. 95% (Non-Condensing)</p>	<p>Access Sensor</p>  <p>34002634</p>
<p>At installation on walls, windows, etc., sensor monitors vibration. Chain connection is possible.</p> <p>Temperature : Min. -10° C - Max.80° C / Temperature : Min. -10° C - Max.80° C</p>	<p>Vibration</p>  <p>34002635</p>
<p>Detector detects smoke indoors. Chain connection is possible.</p> <p>Temperature : Min. -10° C - Max.80° C / Humidity : Min. 5% - Max. 95% (Non-Condensing)</p>	<p>Smoke</p>  <p>34002632</p>
<p>Sensor is needed for control of movement over an infra-red range.</p> <p>Temperature : Min. -10° C - Max.80° C / Humidity : Min. 5% - Max. 95% (Non-Condensing)</p>	<p>Motion (PIR)</p>  <p>34002636</p>
<p>When water is in contact with the metal cores, the sensor indicates the emergence of moisture. If sensor is constantly responding to high water levels, replace the sensor with a level sensor. Attention! Metal cores are detectors of water, mount strictly downwards as close as its possible to a floor.</p> <p>Temperature : Min. -10° C - Max.80° C / Humidity : Min. 5% - Max. 95% (Non-Condensing)</p>	<p>Water Leak</p>  <p>34002633</p>
<p>When water is in contact with detection cable sensor indicates the emergence of moisture. Water detection cable 50 is ordered separately art. SC-WDC! If sensor is constantly responding to high water levels, replace it with a level sensor.</p> <p>Temperature : Min. -10° C - Max.80° C / Humidity : Min. 5% - Max. 95% (Non-Condensing)</p>	<p>Water Leak Cable</p>  <p>34002650</p>

## ELECTRONIC SWINGHANDLE

3101

ALL IN METAL



High security electronic products to protect your organisation's data

### APPLICATIONS:

- Rack cabinets
- Server rooms
- Telecommunication
- Kiosks
- GSM network cabinets



### Electrical Specifications:

- Operating Voltage: 12 VDC
- Operating Temperature: +60/ -10 C
- Nominal Operating Current:
- Standby: 6mA
- Lock/Unlock: 75mA
- Max. Current: 400mA

### PIN Connections;

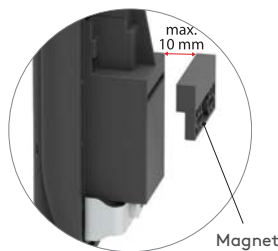
- PIN 1- GND
- PIN 2- +12V
- PIN 3- N/A
- PIN 4- Door Position Sensor
- PIN 5- Control Signal
- PIN 6- Handle Position Sensor



- All metal construction.
- Compatible with access control systems.
- Ability to work mechanically in case of power outage.
- Elegant design.
- Capable to inform door and handle status
- 12 VDC working voltage

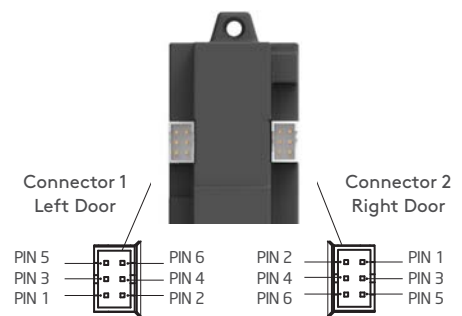
### MATERIALS

- BODY: Zinc Only DIN-EN 1774-ZnAl4Cu1
- HANDLE: Zinc Only DIN-EN 1774-ZnAl4Cu1
- CAM: Steel
- SEAL: Polyurethane



Open-close position of door can be monitored. The max distance between the magnet and the lock is 10 mm.

### PIN DETAILS



Both connectors have the same function.

### Electronic swinghandle connection cable



The same connectors are crimped both ends of the cable.



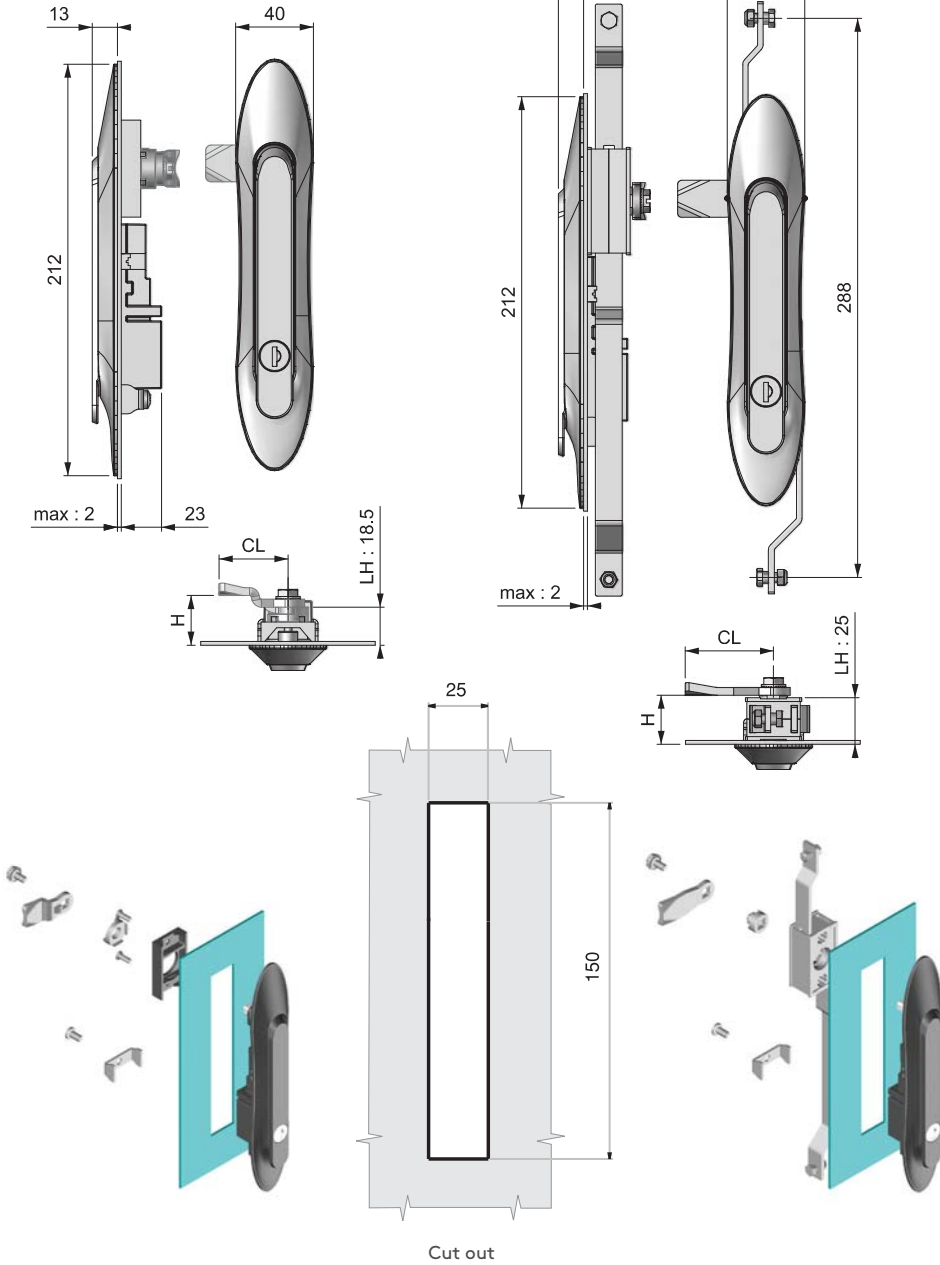
3101

3102

3102

ELECTRONIC SWINGHANDLE

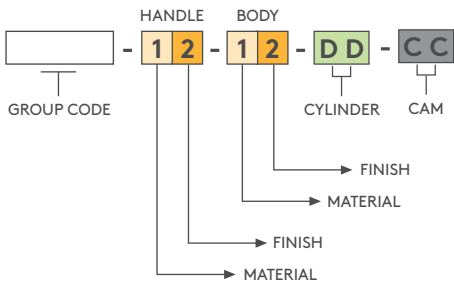
ALL IN METAL



- All metal construction.
- Compatible with access control systems.
- Ability to work mechanically in case of power outage.
- Elegant design.
- Capable to inform door and handle status
- 12 VDC working voltage

**MATERIALS**

- BODY:** Zinc Only DIN-EN 1774-ZnAl4Cu1
- HANDLE:** Zinc Only DIN-EN 1774-ZnAl4Cu1
- CAM:** Steel
- SEAL:** Polyurethane



For cams and rods, please check  
 ▶ Page: 170 -178

SPECIFICATIONS	DD
Stainless steel dust cap (Keyed alike)	40
Stainless steel dust cap (Keyed differ)	32



# ELECTRONIC LOCKING SYSTEM

## ELECTRONIC SWINGHANDLE

**3103**



High security electronic products to protect your organisation's data

- APPLICATIONS:**
- Rack cabinets
  - Server rooms
  - Telecommunication
  - Kiosks
  - GSM network cabinets

- LED indicators
- Compatible with access control systems.
- Ability to work mechanically in case of power outage.
- Elegant design.
- Capable to inform door and handle status
- 12 VDC working voltage

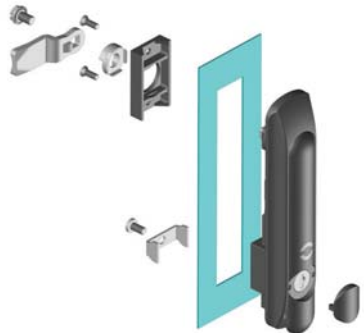
**MATERIALS**

**BODY:** Polyamide DIN-EN ISO 1043-1 PA6 GFR 30  
**HANDLE:** Polyamide DIN-EN ISO 1043-1 PA6 GFR 30  
**CAM:** Steel

**Electrical Specifications:**  
 Operating Voltage: 12 VDC  
 Operating Temperature: +60/ -10 C  
 Nominal Operating Current:  
 Standby: 6mA  
 Lock/Unlock: 75mA  
 Max. Current: 400mA

**PIN Connections;**  
 PIN 1- GND  
 PIN 2- +12V  
 PIN 3- N/A  
 PIN 4- Door Position Sensor  
 PIN 5- Control Signal  
 PIN 6- Handle Position Sensor

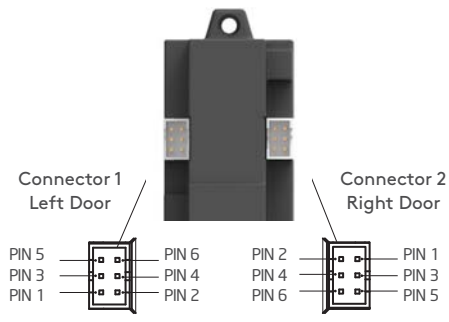
Lock Warning Signs			
Signal 1		While opening the lock	LED 1 blinks fast.
Signal 2		While closing the lock	LED 2 blinks fast.
Signal 3		When the lock is open	Both LEDs blink fast.
Signal 4		When the handle is open	Both LEDs not lit
Signal 5		Error	Both LEDs blink slow.
Signal 6		Ready	Both LEDs are lit.



**ELECTRONIC REAR COVER**



**PIN DETAILS**



Both connectors have the same function.

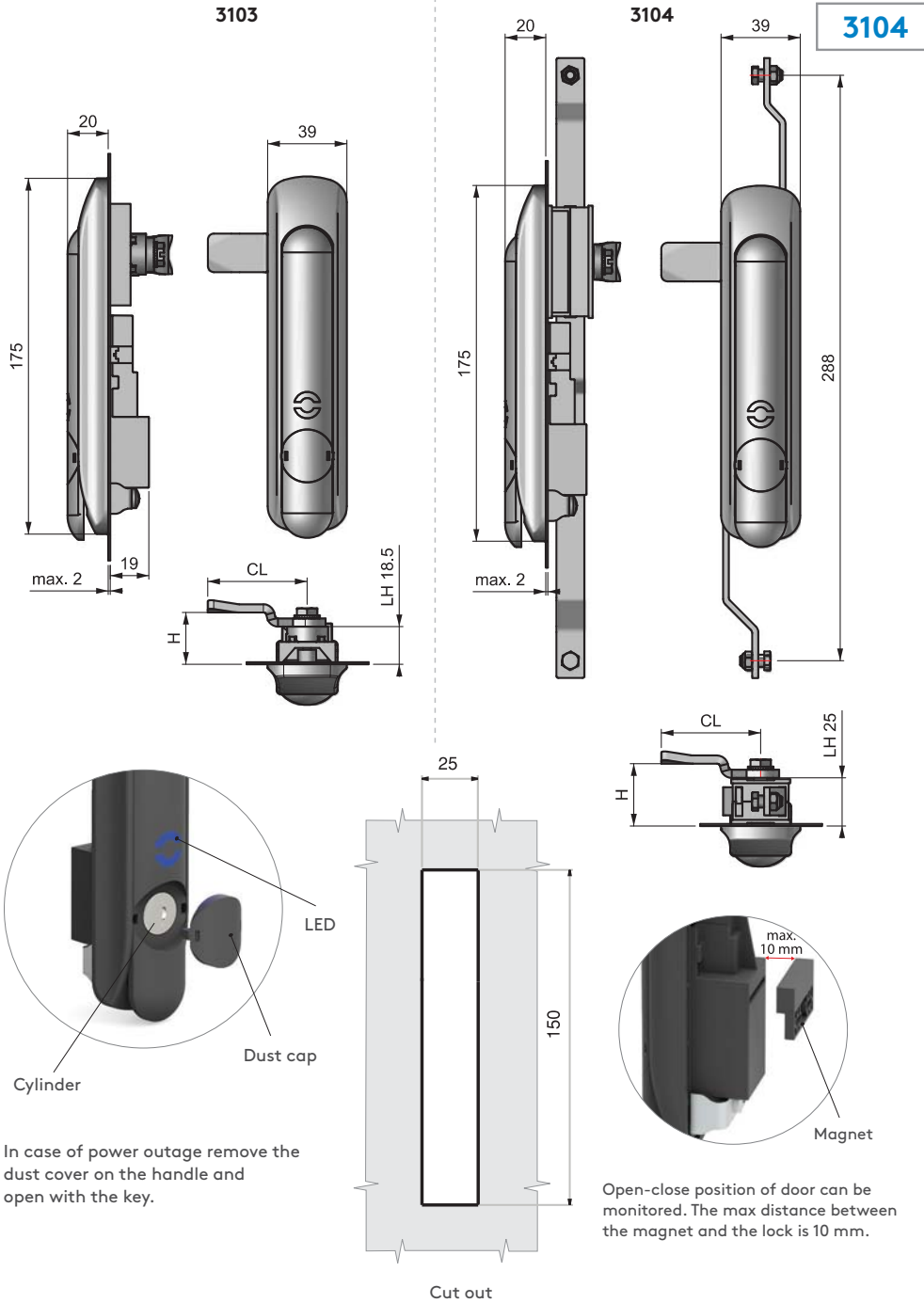
**Connection Cable**



The same connectors are crimped both ends of the cable.



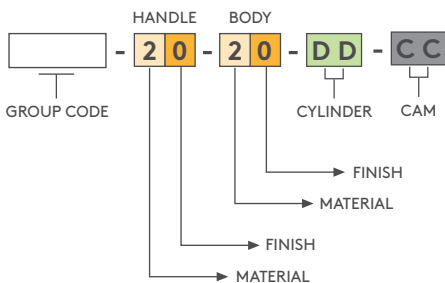
ELECTRONIC SWINGHANDLE



MATERIALS

- BODY: Polyamide DIN-EN ISO 1043-1 PA6 GFR 30
- HANDLE: Polyamide DIN-EN ISO 1043-1 PA6 GFR 30
- CAM: Steel

In case of power outage remove the dust cover on the handle and open with the key.



For cams and rods, please check  
▶ Page: 170 -178



SPECIFICATIONS	DD
Stainless steel dust cap (Keyed alike)	40
Stainless steel dust cap (Keyed differ)	32



# ELECTRONIC LOCKING SYSTEM

## ELECTRONIC SWINGHANDLE

3111



High security electronic products to protect your organisation's data

**APPLICATIONS:**

- Rack cabinets
- Server rooms
- Telecommunication
- Kiosks
- GSM network cabinets

**Electrical Specifications:**

Operating Voltage: 12 VDC  
 Operating Temperature: +60/ -10 C  
 Nominal Operating Current:  
 Standby: 6mA  
 Lock/Unlock: 75mA  
 Max. Current: 400mA

**PIN Connections;**

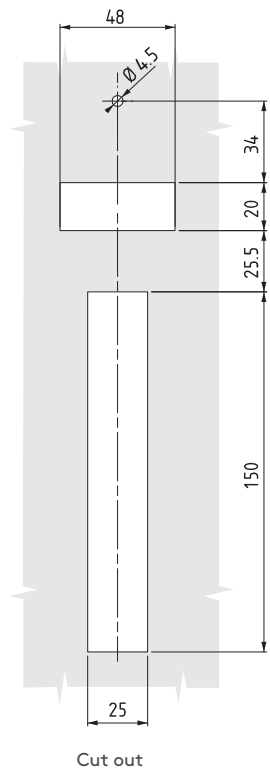
- PIN 1- GND
- PIN 2- +12V
- PIN 3- N/A
- PIN 4- Door Position Sensor
- PIN 5- Control Signal
- PIN 6- Handle Position Sensor

Lock Warning Signs			
Signal 1		While opening the lock	LED 1 blinks fast.
Signal 2		While closing the lock	LED 2 blinks fast.
Signal 3		When the lock is open	Both LEDs blink fast.
Signal 4		When the handle is open	Both LEDs not lit
Signal 5		Error	Both LEDs blink slow.
Signal 6		Ready	Both LEDs are lit.

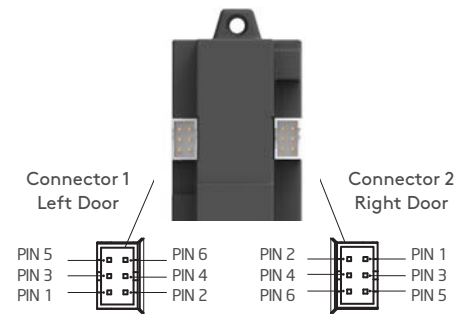
- Integrated RFID reader.
- Ability to work mechanically in case of power outage
- Capable to inform door and handle status
- LED indicators both on lock and reader
- Supports RS 485 protocol for other protocols please contact to Essentra
- Can be control a swinghandle (3101,3102,3103 and 3104) other than itself
- 12 VDC working voltage
- LED indicators

**MATERIALS**

- BODY:** Polyamide DIN-EN ISO 1043-1 PA6 GFR 30
- HANDLE:** Polyamide DIN-EN ISO 1043-1 PA6 GFR 30
- CAM:** Steel



**PIN DETAILS**



Both connectors have the same function.

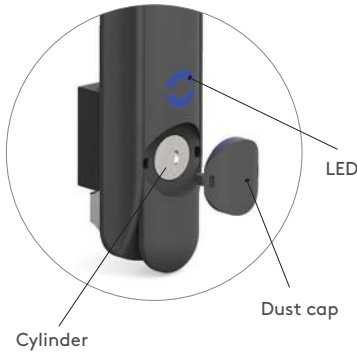
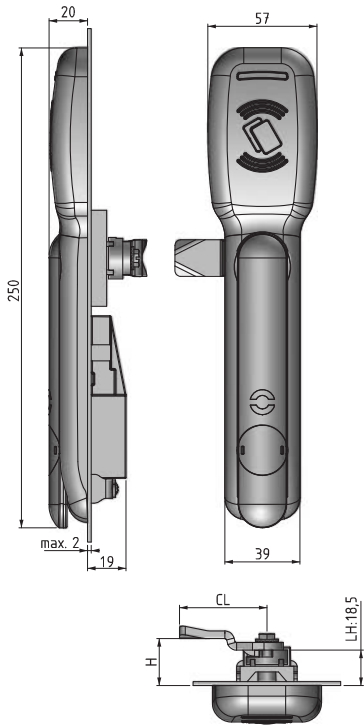
**Connection Cable**



The same connectors are crimped both ends of the cable.



3111



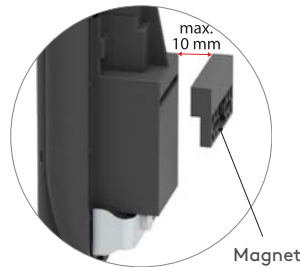
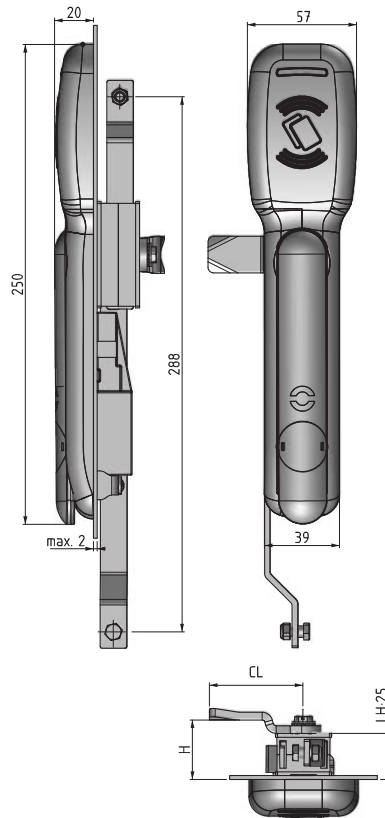
In case of power outage remove the dust cover on the handle and open with the key.

3112



3112

ELECTRONIC SWINGHANDLE

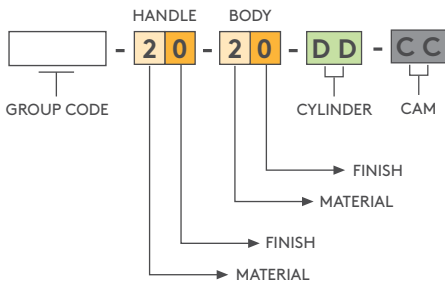


Open-close position of door can be monitored. The max distance between the magnet and the lock is 10 mm.



**MATERIALS**

- BODY: Polyamide DIN-EN ISO 1043-1 PA6 GFR 30
- HANDLE: Polyamide DIN-EN ISO 1043-1 PA6 GFR 30
- MECHANISM: Zinc Only DIN-EN 1774-ZnAl4Cu1
- CAM: Steel



For cams and rods, please check  
▶ Page: 170 -178

SPECIFICATIONS	DD
Stainless steel dust cap (Keyed alike)	40
Stainless steel dust cap (Keyed differ)	32

# ▶ ELECTRONIC LOCKING SYSTEM

## ELECTRONIC SWINGHANDLE

**3105**



High security electronic products to protect your organisation's data

**APPLICATIONS:**

- Outdoor cabinets
- Telecommunication
- Kiosks
- ATMs
- Electrical enclosures

- Compatible with access control systems.
- All metal construction
- Special geometry provides anti-vandalism safety
- Improved corrosion resistance
- Suitable to DIN V ENV 1630: 1999-04/WK2 test
- Double o-ring used for handle provides improved IP rating
- High-security cylinder alternative
- Better IP rating with moving dust cap

**MATERIALS**

- BODY:** Zinc Only DIN-EN 1774-ZnAl4Cu1
- GASKET:** Polyurethane
- COVER:** Zinc Only DIN-EN 1774-ZnAl4Cu1

**Standard Application**

**Electromechanical Application**



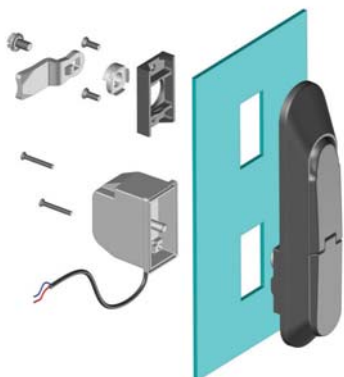
Simply changing the cover assembly is enough to switch from standard to electromechanical application

**Lock operating principle**

Electronical and mechanical

**Technical specifications:**

- Voltage: 48 VDC
- Current 500 mA
- High temperature resistance: 150 °C



Electronic access options, remote control, card reader, etc., activate the lock. It is then ready to be opened by the mechanical key

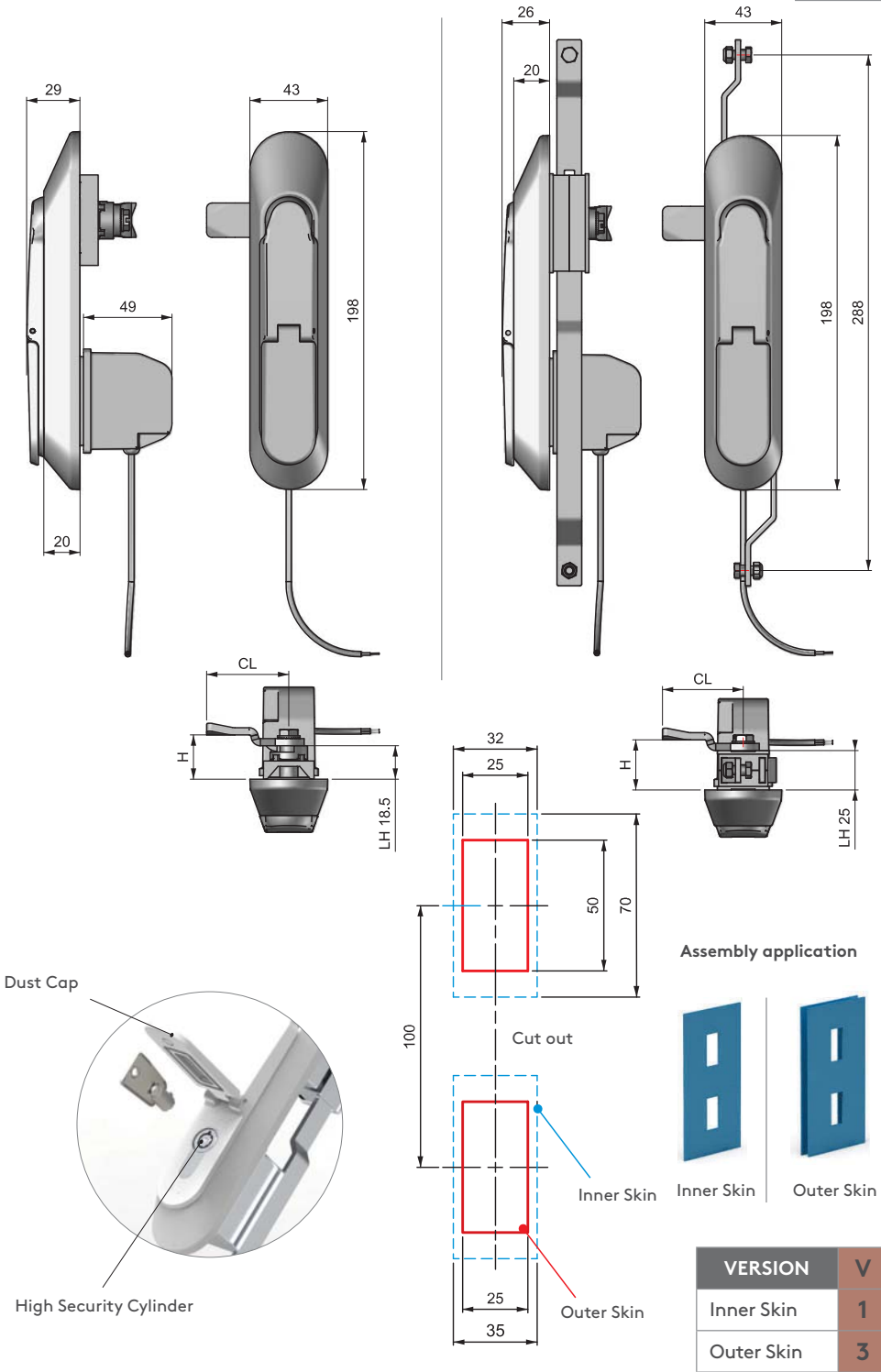


3105

3106

3106

ELECTRONIC SWINGHANDLE



- Compatible with access control systems.
- All metal construction
- Special geometry provides anti-vandalism safety
- Improved corrosion resistance
- Meets DIN V ENV 1630:1999-04/ WK2 standard
- Double o-ring used for handle provides improved IP rating
- High-security cylinder alternative
- Better IP rating with moving dust cap

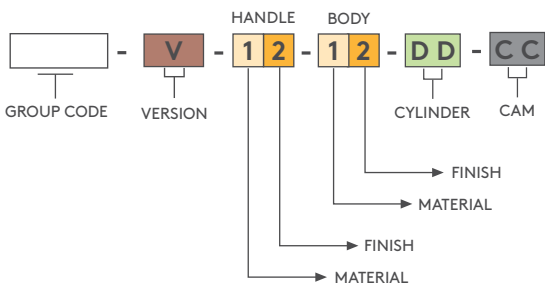
MATERIALS

BODY: Zinc Only DIN-EN 1774-ZnAl4Cu1  
 MECHANISM: Zinc Only DIN-EN 1774-ZnAl4Cu1  
 GASKET: Polyurethane  
 COVER: Zinc Only DIN-EN 1774-ZnAl4Cu1

Assembly application



VERSION	V
Inner Skin	1
Outer Skin	3

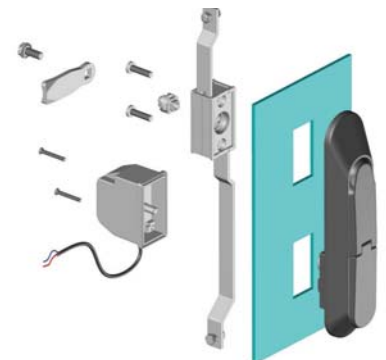


**HIGH SECURITY CYLINDER**

Zinc Only cylinder

Keyed alike      Keyed differ

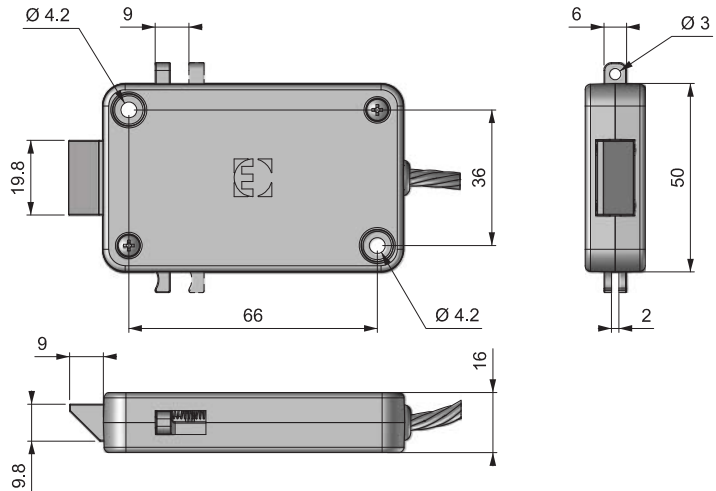
22	23
----	----



# ELECTRONIC LOCKING SYSTEM

## ELECTRONIC KEEPER

3341



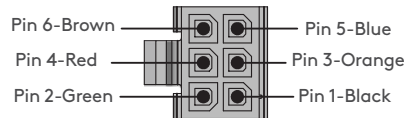
- Push to Close
- 12 Volt DC supply voltage
- Two different mechanical override option
- Auto locking
- Internal microswitch
- Microprocessor controlled gear motor
- Compatible with access control systems

### MATERIALS

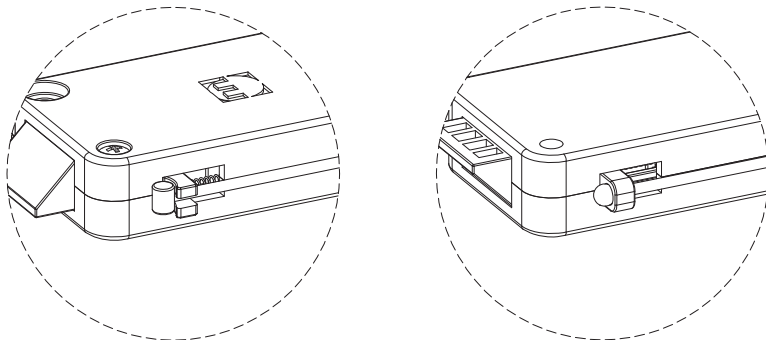
BODY: Plastic  
CAM: Zinc Only 5

### TECHNICAL SPECIFICATIONS

Cable Length : 180 mm  
Operating Voltage : 12 Volt  
Current : Max. 500 mA  
Stroke : 9 mm



Pins	Colours	
Pin 1	Black	GND
Pin 2	Green	12 Volt DC
Pin 3	Orange	Signal
Pin 4	Red	Microswitch COM
Pin 5	Blue	Microswitch NO
Pin 6	Brown	N/A

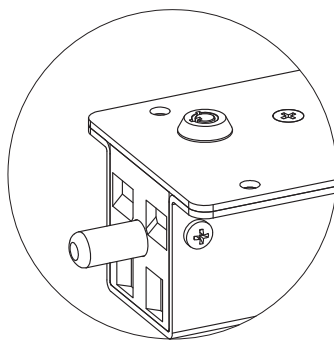
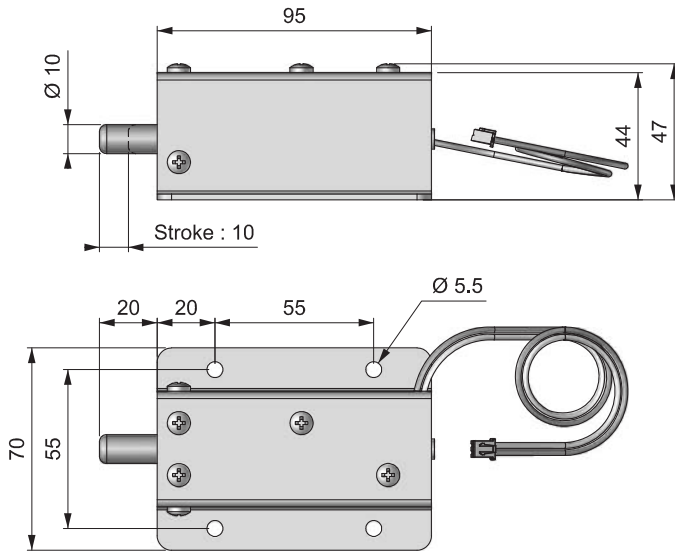


Two different mechanical override option

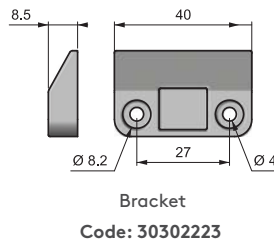


**3311**

**SOLENOID LOCK**



Mechanical override with high security cylinder



- Compatible with access control systems
- Push to close with a special bracket
- Mechanical override option
- Auto locking
- DC type solenoid
- Solenoid has no polarity
- Resistance of solenoid varies with the applied voltage,
- The solenoid becomes hot (around 80 °C ) when continuously energized, precautions should be taken to prevent burns

**MATERIALS**

BODY: Steel  
PLUNGER: Steel  
BRACKET: Delrin

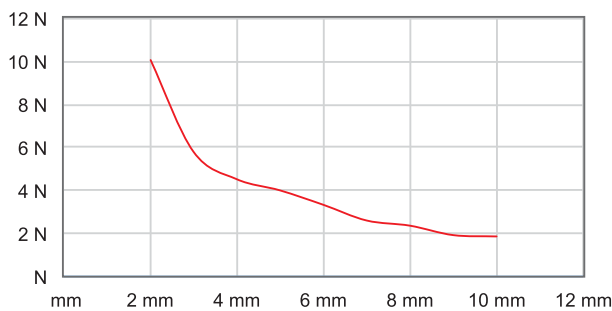
**TECHNICAL SPECIFICATIONS**

Operating Voltage : 24 V DC  
Current Consumption : 550 mA  
Power Consumption : 13,2 W  
Operating Temperature Range : - 5 °C / + 40 °C  
Cable Length : 30 cm  
Stroke : 10 mm

**Please Contact Essentra**

- \* For AC type of solenoids
- \* For different voltages
- \* For different strokes

**3311 Solenoid Lock**



Force - Stroke Graph In Horizontal Installation

**PRODUCT CODE**



VERSION	V
Without Mechanical Override	1
With Mechanical Override	2

# ELECTRONIC LOCKING SYSTEM

## ELECTRONIC CABINET LOCK

3204



### Keypad



Electronic solutions for improving security

#### APPLICATIONS:

Various cabinets or lockers in sauna area, spa, gym, office, school, etc.



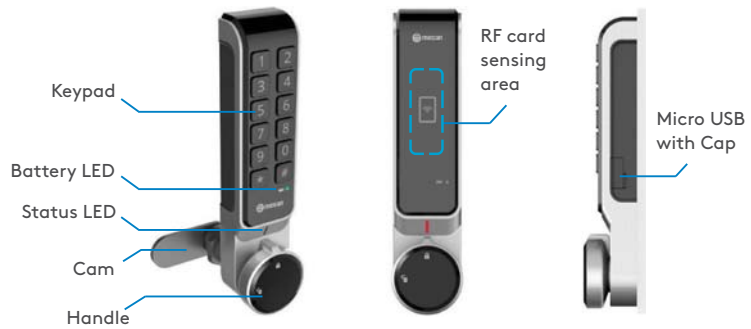
#### Technical specifications

- Operating voltage: 3x1.5 V = 4.5 V
- Battery: 3xAAA Alkali battery
- Battery life: Approx. 1.5 year ( daily 10 use )
- Password combination: 4-12 digit
- Operating temperature range: -20°C ~ +70°C
- Operating humidity range: 0 ~ 90 % RH

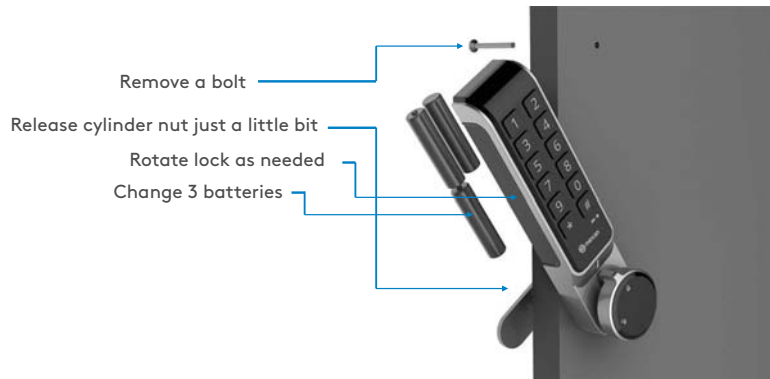
- Ability to open with a password without card and key
- Elegant design suitable for office environments
- Multi-user support
- Micro USB emergency power-supply
- Low battery level indicator
- For general or specialised use
- Easy installation
- Easy to use
- High-security
- Burglar alarm
- Melody yes/no adjustment
- Stylish visual-warning LEDs

#### MATERIALS

BODY: Aluminium  
 HANDLE: Aluminium  
 PANEL: Plastic  
 CAM: Steel



#### Change Batteries



For cams please check page: 175 (Cam 1)





3205

## ELECTRONIC CABINET LOCK

### RFID card reader

Electronic solutions for improving security

#### APPLICATIONS:

Various cabinets or lockers in sauna area, spa, gym, office, school, etc. .



#### Technical specifications

- Operating voltage: 3x1.5 V = 4.5 V
- Battery: 3xAAA Alkali battery
- Battery life: Approx. 1.5 year ( daily 10 use )
- Card type: RFID 13.56Mhz MIFARE - Standard ISO14443A
- Operating temperature range: -20°C ~ +70°C
- Operating humidity range: 0 ~ 90 % RH



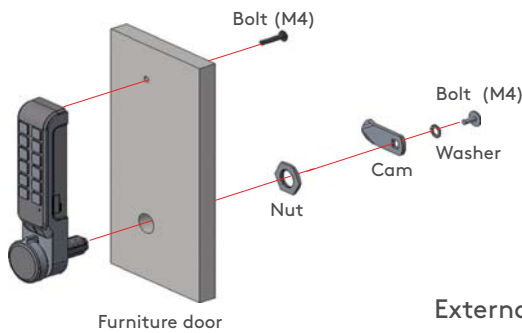
#### RFID Card



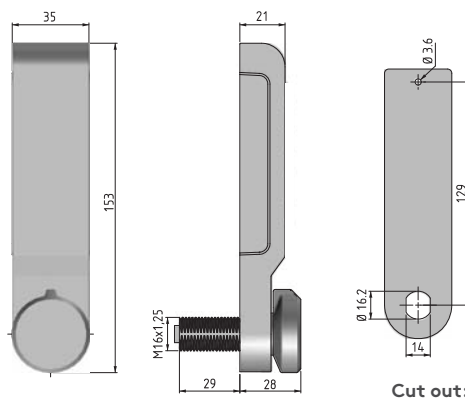
Order separately

Printed: (340.0.2639)

Unprinted: (340.0.2640)



#### External dimensions

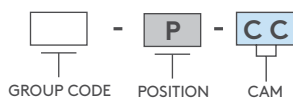


- Ability to open with a RFID card without key
- Elegant design suitable for office environments
- Multi-user support
- Micro USB emergency power-supply
- Low battery level indicator
- For general or specialised use
- Easy installation
- Easy to use
- High-security
- Burglar alarm
- Melody yes/no adjustment
- Stylish visual-warning LEDs

#### MATERIALS

BODY:	Aluminium
HANDLE:	Aluminium
PANEL:	Plastic
CAM:	Steel

#### PRODUCT CODE



POSITION	P
Horizontal	1
Vertical	2

For cams please check page: 175 (Cam 1)



# ELECTRONIC LOCKING SYSTEM

## ELECTRONIC CABINET LOCK

3211



Touch Panel



Electronic solutions for improving security

### APPLICATIONS:

Various cabinets or lockers in sauna area, spa, gym, office, school, etc.



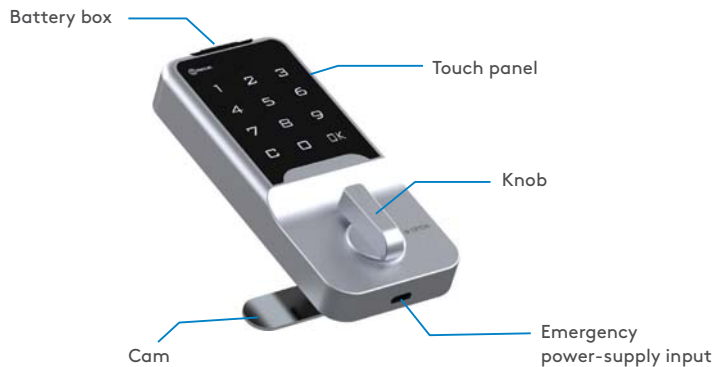
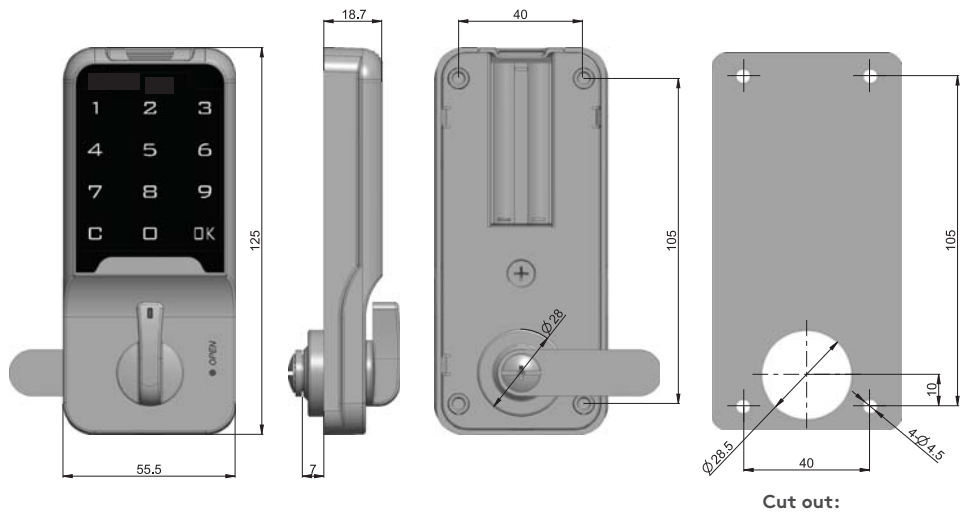
### Technical specifications

- Ability to open with a password without card and key
- Elegant design suitable for office environments
- When the password has been forgotten, it is possible to remote control and USB-Key for solving the password
- Micro USB emergency power-supply
- Low battery level indicator
- For general or specialised use
- Auto-alarm will be activated when input wrong password 4 times and the lock will be died for 60 seconds.
- You can create the fake pin password against thievery
- Easy installation
- Easy to use
- High-security
- Melody yes/no adjustment
- Stylish visual-warning LEDs

- Operating voltage: 2x1.5 V = 3 V
- Battery: 2xAAA Alkali battery
- Battery life: Approx. 1.5 year ( daily 10 use )
- Password combination: 1-15 digit
- Operating temperature range: -20°C ~ +70°C
- Operating humidity range: 0 ~ 90 % RH

### MATERIALS

BODY: Aluminium  
HANDLE: Aluminium  
CAM: Steel



### PRODUCT CODE

3211 - CC  
GROUP CODE CAM

For cams please check page: 175 (Cam 1)



**3212**

## ELECTRONIC CABINET LOCK

### Touch Panel



Electronic solutions for improving security

**APPLICATIONS:**

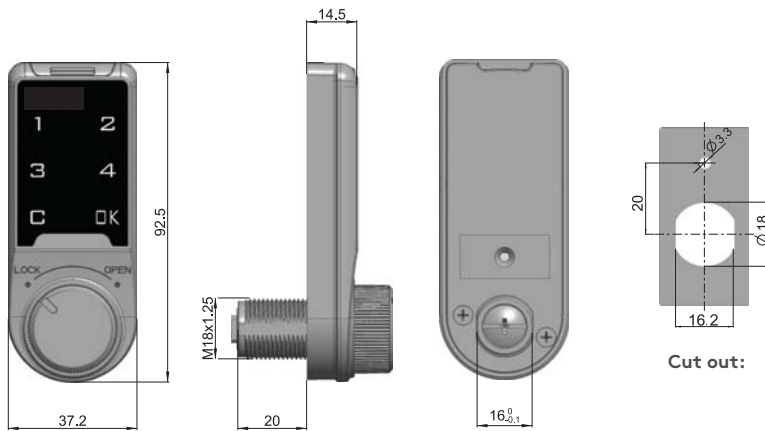
Various cabinets or lockers in sauna area, spa, gym, office, school, etc. .



### Technical specifications

- Operating voltage: 3 V
- Battery: Cr2032 battery
- Battery life: Approx. 1.5 year ( daily 10 use )
- Password combination: 1-15 digit
- Operating temperature range: -20°C ~ +70°C
- Operating humidity range: 0 ~ 90 % RH

- Ability to open with a password without card and key
- Elegant design suitable for office environments
- When the password has been forgotten, it is possible to remote control and USB-Key for solving the password
- Micro USB emergency power-supply
- Low battery level indicator
- For general or specialised use
- Auto-alarm will be activated when input wrong password 4 times and the lock will be died for 60 seconds.
- You can create the fake pin password against thievery
- Easy installation
- Easy to use
- High-security
- Melody yes/no adjustment
- Stylish visual-warning LEDs



### MATERIALS

BODY:	Aluminium
HANDLE:	Aluminium
CAM:	Steel

### PRODUCT CODE



For cams please check page: 175 (Cam 1)

# ELECTRONIC LOCKING SYSTEM

## ELECTRONIC CABINET LOCK

3213



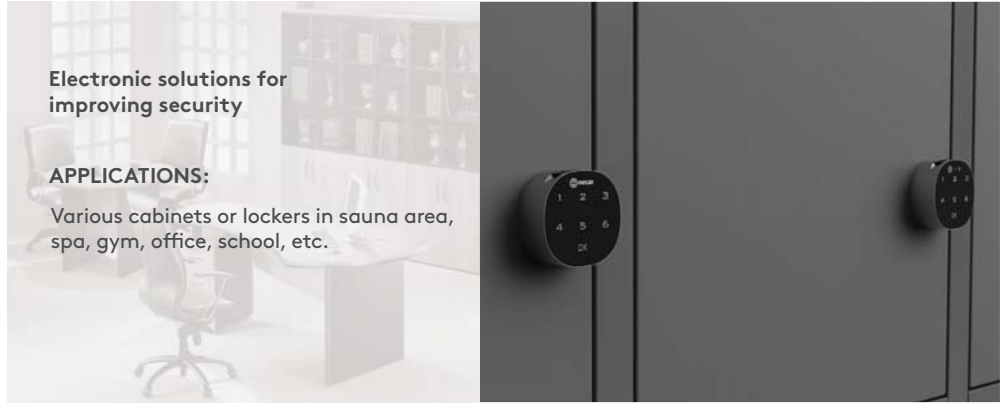
Touch Panel



Electronic solutions for improving security

### APPLICATIONS:

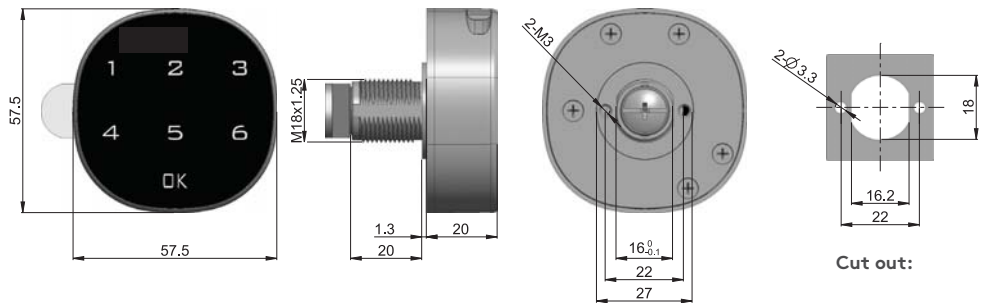
Various cabinets or lockers in sauna area, spa, gym, office, school, etc.



- Ability to open with a password without card and key
- Elegant design suitable for office environments
- When the password has been forgotten, it is possible to remote control and USB-Key for solving the password
- Micro USB emergency power-supply
- Low battery level indicator
- For general or specialised use
- Auto-alarm will be activated when input wrong password 4 times and the lock will be died for 60 seconds.
- You can create the fake pin password against thievery
- Easy installation
- Easy to use
- High-security
- Melody yes/no adjustment
- Stylish visual-warning LEDs

### Technical specifications

- Operating voltage: 3 V
- Battery: Cr2032 battery
- Battery life: Approx. 1.5 year ( daily 10 use )
- Password combination: 1-15 digit
- Operating temperature range: -20°C ~ +70°C
- Operating humidity range: 0 ~ 90 % RH



### MATERIALS

BODY: Aluminium  
CAM: Steel



### PRODUCT CODE

3213 - CC  
GROUP CODE CAM

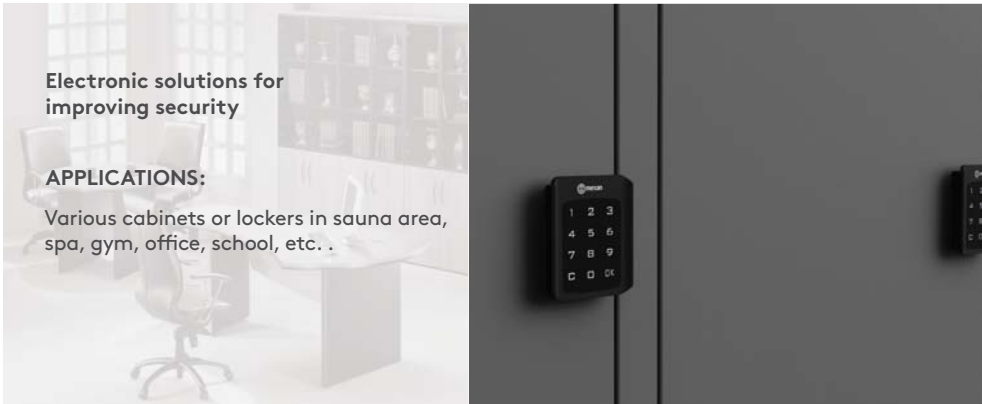
For cams please check page: 175 (Cam 1)



3214

ELECTRONIC CABINET LOCK

Touch Panel



Electronic solutions for improving security

**APPLICATIONS:**

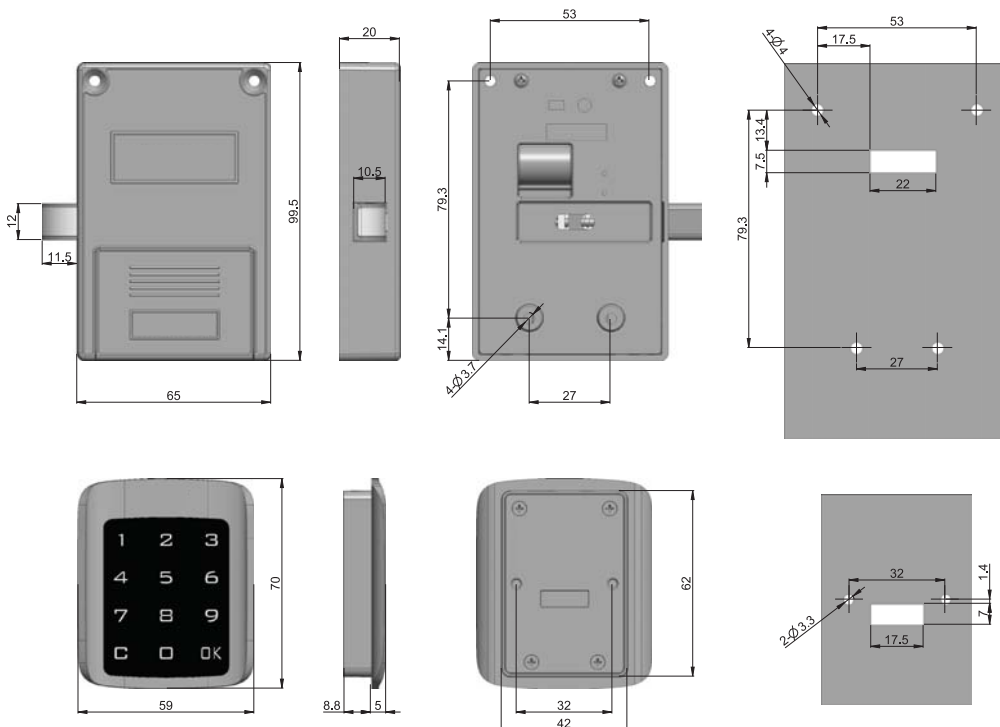
Various cabinets or lockers in sauna area, spa, gym, office, school, etc. .

**Technical specifications**

- Operating voltage: 3x1.5 V = 4.5 V
- Battery: 3xAAA Alkali battery
- Battery life: Approx. 1.5 year ( daily 10 use )
- Password combination: 1-15 digit
- Operating temperature range: -20°C ~ +70°C
- Operating humidity range: 0 ~ 90 % RH



- Ability to open with a password without card and key
- Elegant design suitable for office environments
- When the password has been forgotten, it is possible to remote control and USB-Key for solving the password
- Micro USB emergency power-supply
- Low battery level indicator
- For general or specialised use
- Auto-alarm will be activated when input wrong password 4 times and the lock will be died for 60 seconds.
- You can create the fake pin password against thievery
- Easy installation
- Easy to use
- High-security
- Melody yes/no adjustment
- Stylish visual-warning LEDs



**MATERIALS**

BODY: Plastic  
CAM: Steel

# ELECTRONIC LOCKING SYSTEM

## ELECTRONIC CABINET LOCK

3202

### Keypad

Vertical



Horizontal



Electronic solutions for improving security

#### APPLICATIONS:

Various cabinets or lockers in sauna area, spa, gym, office, school, etc.



#### Technical specifications

- Operating voltage: 3x1.5 V = 4.5 V
- Battery: 3xAA Alkali battery
- Battery life: Approx. 1.5 year ( daily 10 use )
- Password combination: 4-12 digit
- Operating temperature range: -15 ~ 55°C
- Operating humidity range: 0 ~ 90 % RH

- Ability to open with a password without card and key
- Elegant design suitable for office environments
- Multi-user support
- Micro USB emergency power-supply input behind sliding cover
- Low battery level indicator
- For general or specialised use
- Easy installation
- Easy to use
- High-security
- Burglar alarm
- Melody yes/no adjustment
- Stylish visual-warning LEDs

#### MATERIALS

BODY: Plastic  
LATCHING BODY: Plastic  
GASKET: Rubber  
CAM: Steel

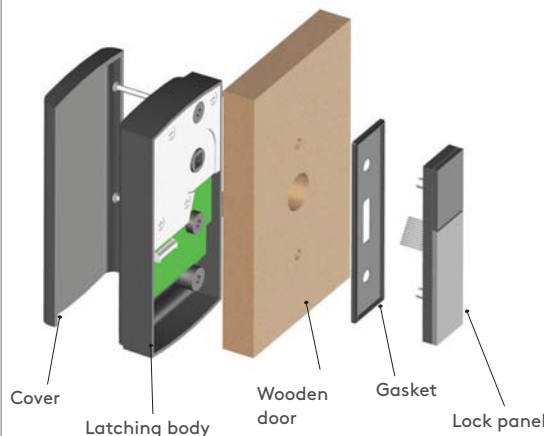


Sliding cover

Emergency power-supply input

When it runs out of batteries, slide the cover and the lock can be opened with the Micro USB connector.

Micro USB connector



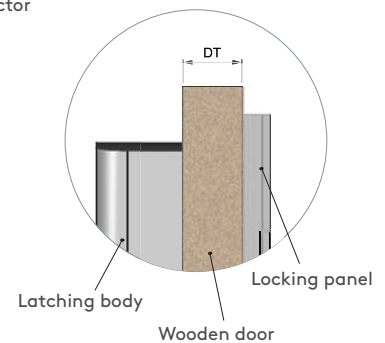
Cover

Latching body

Wooden door

Gasket

Lock panel



Latching body

Locking panel

Wooden door

#### DT - DOOR THICKNESS

Min	Max
11mm	27mm

For different door thicknesses please contact Essentra.



3203

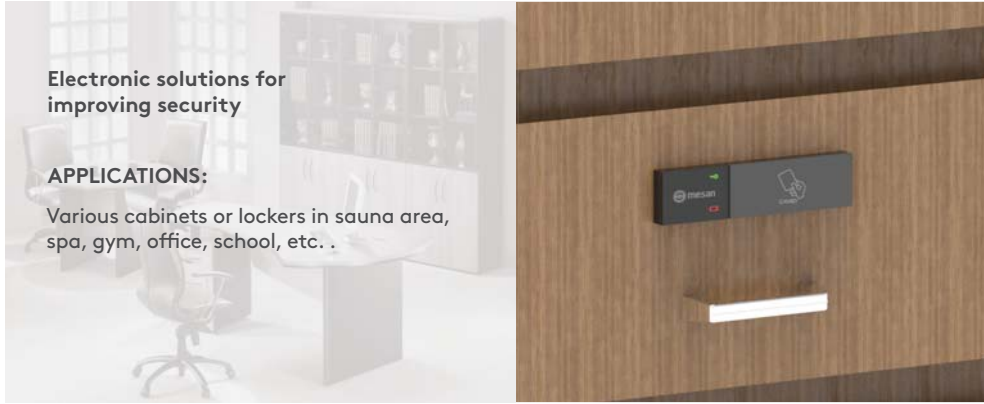
ELECTRONIC CABINET LOCK

## RFID card reader

Electronic solutions for improving security

### APPLICATIONS:

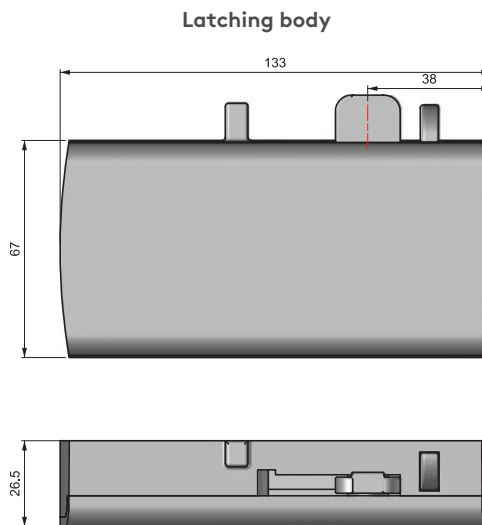
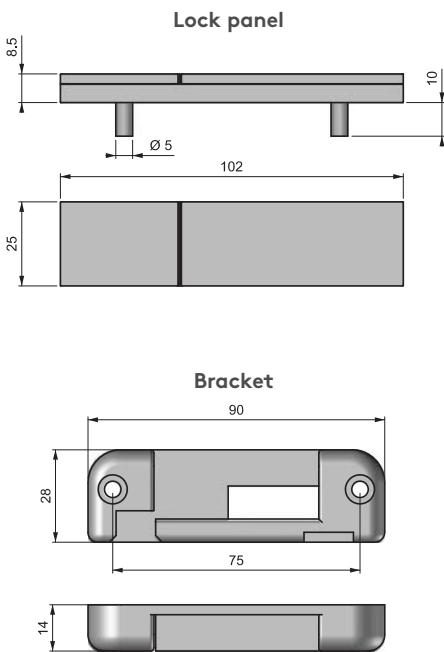
Various cabinets or lockers in sauna area, spa, gym, office, school, etc. .



### Technical specifications

- Operating voltage: 3x1.5 V = 4.5 V
- Battery: 3xAA Alkali battery
- Battery life: Approx. 1.5 year ( daily 10 use )
- Card type: RFID 13.56Mhz MIFARE - Standard ISO14443A
- Operating temperature range: -15 ~ 55°C
- Operating humidity range: 0 ~ 90 % RH

## External dimensions



### Note:

Instructions for use, installation dimensions, etc. More information is available in the instruction book with the lock.

Vertical



Horizontal



RFID Card



Order separately

Printed: (340.0.2639)

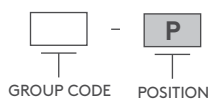
Unprinted: (340.0.2640)

- Ability to open with a RFID card without key
- Elegant design suitable for office environments
- Multi-user support
- Micro USB emergency power supply input behind sliding cover
- Low-battery level indicator
- For general or specialised use
- Easy installation
- Easy to use
- High security
- Burglar alarm
- Melody yes/no adjustment
- Stylish visual-warning LEDs

### MATERIALS

BODY: Plastic  
 LOCK PANEL: Plastic  
 GASKET: Rubber  
 CAM: Steel

### PRODUCT CODE



POSITION	P
Horizontal	1
Vertical	2



# ELECTRONIC LOCKING SYSTEM

## ELECTRONIC CABINET LOCK

3201

Keypad



Electronic solutions for improving security

**APPLICATIONS:**

Various cabinets or lockers in sauna area, spa, gym, office, school, etc.

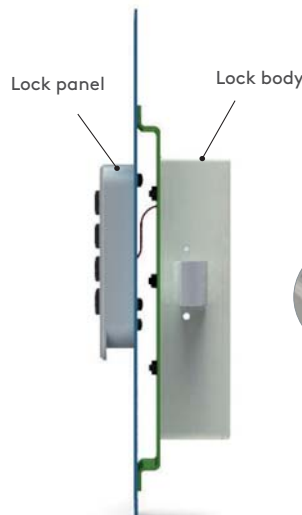
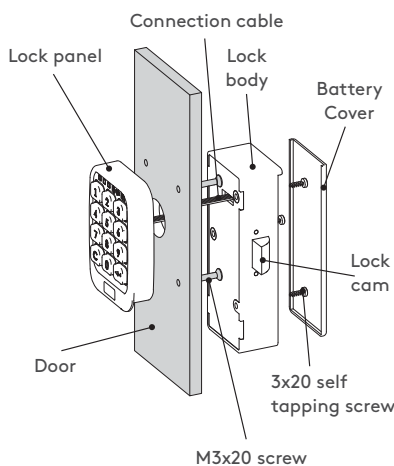
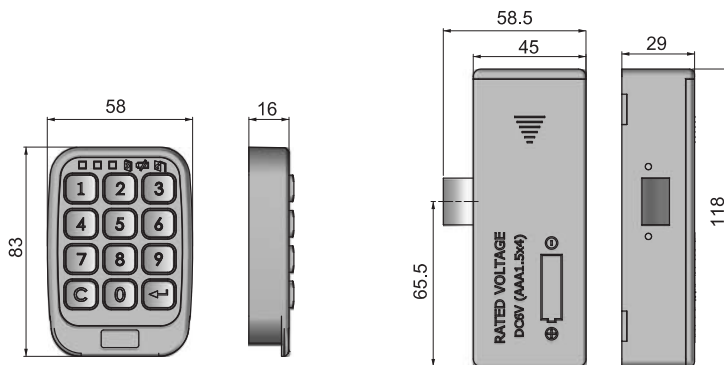
- Input password to open door; no need for card or key
- Two types:
  - Public with temporary password
  - Private with permanent password
- Two management levels: master code and user code
- Low power alarm: the lock will indicate when the battery has insufficient power
- Emergency open: external power supply can be used via a socket in the lock if sufficient battery power is not available

**Technical specifications**

Password digital:	>= 4, <= 10	Work temperature:	-25°C ~ 65°C
Power source:	4 pcs AAA alkaline batteries	Store temperature:	-25°C ~ 85°C
Static current:	<10uA	Store time:	> 10 years
Dynamic current:	<220mA	Change:	1,000,000 times
Alarm power:	<4.7V	Work humidity:	5 ~ 95 % RH
Memory capacity:	4160 Bit		(No condensation)

**MATERIALS**

LOCK PANEL:	Zinc Only
KEYS:	Plastic
LOCK BODY:	Plastic
CAM:	Zinc Only



**Note:**

Instructions for use, installation dimensions, etc. More information is available in the instruction book with the lock.



External power socket



External power supply  
product code:  
340.0.2643  
(Order separately)



3301

ELECTRONIC CABINET LOCK

## Remote Control Lock



Electronic solutions for improving security

### APPLICATIONS:

- Coolers
- Fridges
- Electric panels
- Cabinets



### Technical specifications

#### Main board

- Input voltage: 12V - 18V AC
- Output current: 650 mA x2
- RF frequency: 433.92 MHz
- Working temperature range: -25 °C ~ +70 °C
- Control: Microprocessor
- Cable length: 70 cm
- Alert type: Buzzer
- Identification: Master remote control
- Locking security: Watchdog

#### Remote control:

- RF Frequency: 433.92 MHz
- Keys: 2 (Open/Close)
- Battery: 27A
- Control distance: 50 m (ideal conditions)

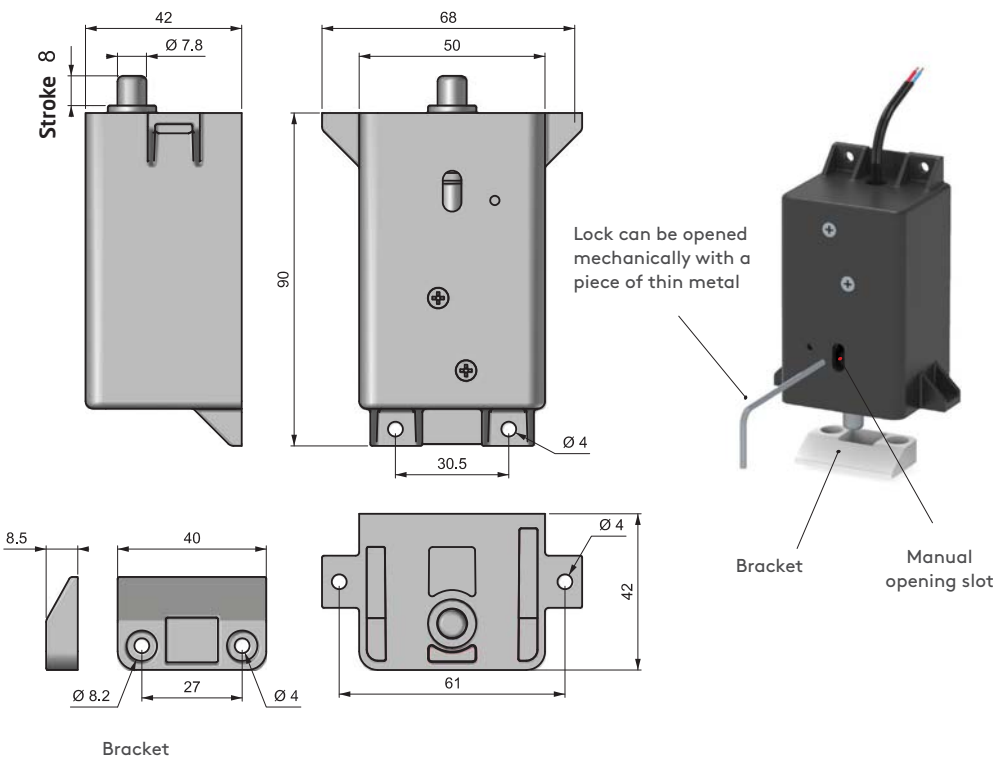
#### Master remote control

- RF Frequency: 433.92 MHz
- Keys: 2 (Same function)
- Battery: 27A
- Function: New remote control identification

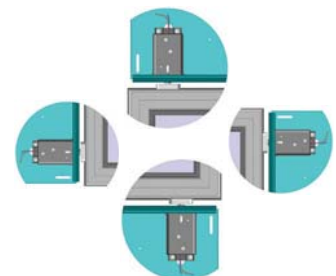
- Microprocessor controlled.
- Working voltage 220 V AC (with a special transformer)
- Open and close remote control
- Buzzer
- Manual opening slot in case of power outage
- New remote control identification with a master remote control
- More than one lock can be controlled by one remote control or vice versa
- More than one remote control can control one lock
- Stroke: 8 mm

### MATERIALS

- BODY: Plastic
- PLUNGER: Steel
- BRACKET: Delrin



### Multidirectional application





# INDEX

Group code:	Product name:	Page:
001	SWINGHANDLE	22-24
002	SWINGHANDLE - ROD CONTROL	56
003	THREE - POINT LOCK	89
006	SWINGHANDLE	52
007	SWINGHANDLE - ROD CONTROL	82
008	SWINGHANDLE	36
010	CAM LATCH - T HANDLE	274
011	CAM LATCH - L HANDLE	274
012	HVAC LATCH	126- 129
012 A1	INTERNAL SAFETY HANDLE	130
012A2	INTERNAL SAFETY HANDLE	130
013	FIRE- HOSE CABINET LOCK	282-283
014	T HANDLE HEAVY DUTY LATCH	108-113
015	T HANDLE HEAVY DUTY LATCH	114-117
016	PUSH - TO - CLOSE	96-100,462
018	T HANDLE HEAVY DUTY LATCH	122 - 123
020	SLIDING -GLASS DOOR LOCK	275
021	GLASS - DOOR LOCK	275
025	GLASS HINGE	441
030	FURNITURE LOCK	276
032	FURNITURE LOCK	276
033	FURNITURE LOCK	277
035	STEEL CUPBOARD LOCK	281
040	COMPRESSION LATCH	228-229,470-471
042	SCREW LATCH	485
045	COMPRESSION - SPRING LATCH	231,477
050	CAM LATCH	262- 263
050	CAM LATCH - BALL	239
055	PADLOCKABLE - KNOB	240-241
056	CAM LATCH	269
057	MINI CAM LATCH	266
058	STEEL CUPBOARD LOCK	280
059	SLIDING - DOOR LOCK	279
060	QUARTER TURN-SPRING LOADED	197
060	QUARTER TURN - WITH SPRING	466
060 AX	ACCESSORIES	219-221
062	QUARTER TURN- WING KNOB	198
063	CAM LATCH	249
064	CAM LATCH -L HANDLE	257
064	CAM LATCH -T HANDLE	256
064	STEPPED COVER LOCK	224
064	QUARTER TURN- SPRING LOADED	225
064	QUARTER TURN -WING KNOB	226-227
065	CAM LATCH - WING KNOB	252
065	QUARTER TURN-WING KNOB	482
066	MINI QUARTER TURN - SPRING LOADED	236
066	QUARTER TURN WITH SPRING	466
070	LIFT - AND - TURN - LATCH	146
071	SLIDING LATCH	160

Group code:	Product name:	Page:
072	FUNCTIONAL LATCH	147
074	FLUSH PULL (SNAP-IN)	429
075	PANEL LOCK WITH HEXAGONAL HEAD	138
077	COMPRESSION TRIGGER LATCH	140
078	CLAMPS (3D)	136
079	COVER STAY	442, 520
084	MILLENIUM HANDLE	421
085	DRAWER HANDLE	421
086	GRAB HANDLE	422
087	GRAB HANDLE	423
089	SPRING LOADED	328
090	SIDE HINGE (10 mm)	286, 516
091	SIDE HINGE (12 mm)	286
092	SIDE HINGE (12 mm)	286, 516
093	SIDE HINGE (16 mm)	287
094	CONCEALED HINGE	300
095	CONCEALED HINGE	308-309, 494
096	CONCEALED HINGE	302 -303
097	CORNER HINGE	338, 498
098	CORNER HINGE	343
099	LEAF HINGE	362-363, 504, 506
100	HINGE WITH BEARING	386
100	CORNER HINGE	350
101	SWINGHANDLE	25
102	SWINGHANDLE - ROD CONTROL	57
103	THREE - POINT LOCK	90
103	THREE - POINT LOCK (Wing knob, T and L handle)	84-85,458-459
103	QUARTER TURN LATCH	244
104	LINEAR HANDLE LOCK	70-71
105	SWINGHANDLE	30
106	SWINGHANDLE	33
107	SWINGHANDLE - ROD CONTROL	63
108	SWINGHANDLE	38-41
109	SWINGHANDLE - ROD CONTROL	72-75
110	CAM LATCH -T HANDLE	254
110	QUARTER TURN- T HANDLE	480
111	CAM LATCH -T HANDLE	255
111	QUARTER TURN- L HANDLE	481
114	MINI T HANDLE CABINET LATCH	105-107
115	T HANDLE HEAVY DUTY LATCH	118
115	T HANDLE HEAVY DUTY LATCH	465
116	PUSH - TO - CLOSE	103
118	T HANDLE HEAVY DUTY LATCH	121
140	MINI COMPRESSION LATCH	230
150	CAM LATCH	264
157	MINI CAM LATCH	267
160	QUARTER TURN- SPRING CAM	216
161	KNOB LOCK (plastic)	214
162	PACO LOCK	218

# INDEX

Group code:	Product name:	Page:
163	SPRING CAM LATCH	248
165	MINI CAM LATCH - WING KNOB	253
166	MINI QUARTER TURN - WING KNOB	238
170	LIFT & TURN LATCH	144-145
171	MINI SLIDING LATCH	161
174	FLUSH PULL (SNAP-IN)	429
176	HOOKEED LOCK	166
177	COMPRESSION TRIGGER LATCH	141
179	COVER STAY	444 , 521
183	QUARTER - TURN - LATCH	165
184	DRAWER HANDLE	420
186	GRAB HANDLE	422
187	GRAB HANDLE	424
189	SPRING LOADED	326
191	SIDE HINGE	290
192	SIDE HINGE (12 mm)	287, 517
193	SIDE HINGE (16 mm)	287, 517
194	CONCEALED HINGE	301
195	CONCEALED HINGE	310 -311
196	CONCEALED HINGE	306
197	CORNER HINGE	339
199	LEAF HINGE	361
200	CORNER HINGE	348-349
201	SWINGHANDLE	23
203	QUARTER TURN- WING KNOB	243
203	QUARTER TURN LATCH	245
203	THREE - POINT LOCK	88
203	THREE - POINT LOCK (Wing knob, T and L handle)	86-87
204	LINEAR HANDLE LOCK	68-69
206	SWINGHANDLE	31
207	SWINGHANDLE - ROD CONTROL	64
208	SWINGHANDLE	42-43
209	SWINGHANDLE - ROD CONTROL	77-78
211	PADLOCKABLE -L HANDLE	204,478
214	T HANDLE HEAVY DUTY LATCH	104
215	T HANDLE HEAVY DUTY LATCH	119
216	PUSH - TO - CLOSE	101
218	SWINGHANDLE	44
219	SWINGHANDLE - ROD CONTROL	79
240	COMPRESSION LATCH - T HANDLE	258-259
250	CAM LATCH	265
257	MINI CAM LATCH	268
260	QUARTER TURN- PADLOCKABLE	217
261	KNOB LOCK	251
261	KNOB LOCK (plastic)	215
262	PADLOCKABLE - WING KNOB	201
265	PADLOCKABLE - WING KNOB	483
266	MINI QUARTER TURN - SPRING LOADED	237
267	METAL KEY	191

Group code:	Product name:	Page:
270	SWELL LATCH	148-149
271	SLIDING LATCH	163
274	FLUSH PULL (SNAP-IN)	428
276	SAFETY LATCH	485
279	COVER STAY	443 , 520
286	GRAB HANDLE	387
287	GRAB HANDLE	423
289	CONCEALED HINGE	329, 493
293	SIDE HINGE	294
294	CONCEALED HINGE	331
295	CONCEALED HINGE	312-313, 486-487
296	CONCEALED HINGE	304-305
297	CORNER HINGE	340
298	CORNER HINGE	342
299	LEAF HINGE	360, 504
300	HVAC HINGE	394
303	INTERNAL LOCKING SYSTEM	91
306	SWINGHANDLE	32
307	SWINGHANDLE - ROD CONTROL	65
308	SWINGHANDLE	48
309	SWINGHANDLE - ROD CONTROL	80
315	T HANDLE HEAVY DUTY LATCH	120,464
316	PUSH - TO - CLOSE	102
318	SWINGHANDLE	49
319	SWINGHANDLE - ROD CONTROL	81
320.02.16X	CABLE SHUNTING RINGS	441
340	COMPRESSION LATCH	260
340-10-00X	ACOUSTIC SPONGE (Formed type)	445
340.0.26XX	ANALOG SENSORS	531
340.00.131	TOGGLE LATCH	436
340.00.132	TOGGLE LATCH	518
340.00.134	TOGGLE LATCH	518
340.00.135	TOGGLE LATCH	436
340.00.133	TOGGLE LATCH	436
340.00.3XX	DIAPHRAM GROMMETS	446
340.00.40X	RUBBER PLUG	447
340.02.430	SCREW	440
340.08.001	DOOR HOLDBACK	448
340.08.01X	RUBBER STOPPER	447
340.20.0XX	DOOR BOTTOM BRUSHES (Screw type)	449
340.20.0XX	DOOR BOTTOM BRUSHES (Plug-in type)	449
340.0.8023	TRUCK CARRIER HINGE	396
340.0.8209	TRUCK CARRIER HINGE	396
350	QUARTER TURN LATCH	242
360	QUARTER TURN -SPRING LOADED	196
361	SECURE QUARTER TURN	206
362	QUARTER TURN-WING KNOB	199
366	MINI QUARTER TURN - EASY FIXING	234
368	METAL KEY	190

# INDEX

Group code:	Product name:	Page:
371	SLIDING LOCK	160
374	FLUSH PULL (SNAP-IN)	427
377	SEAL LEVEL LATCH	142-143
387	GRAB HANDLE	425
389	SPRING LOADED	327
393	SIDE HINGE	294
394	CONCEALED HINGE	330
395	CONCEALED HINGE	314-315, 488-489
397	CORNER HINGE	341
398	CORNER HINGE	344- 345
399	LEAF HINGE	364-365, 505,507
340	COMPRESSION LATCH - WING KNOB	260-261
400	CORNER HINGE	347
401	SWINGHANDLE	452
402	SWINGHANDLE - ROD CONTROL	456-467
406	SWINGHANDLE	34-35
407	MODULER SYSTEM SWINGHANDLE	66-67
408	SWINGHANDLE	28-29
409	SWINGHANDLE - ROD CONTROL	61-62
416	PUSH-TO CLOSE LOCK	463
440	HYGIENIC COMPRESSION LATCH	474-475
460	HYGIENIC LATCH	476
461	SECURE QUARTER TURN	207
462	BRIDGE CLAMP SYSTEM	137
466	MINI LATCH	164
471	MINI SLIDING LATCH	161
487	GRAB HANDLE	426
493	SIDE HINGE	295
497	CORNER HINGE	337
498	CORNER HINGE	346
499	LEAF HINGE	372
500	HVAC HINGE	393
501	SWINGHANDLE	26 , 453
502	SWINGHANDLE - ROD CONTROL	58-59, 454-455
508	SWINGHANDLE	51
518	SWINGHANDLE	50
540	COMPRESSION LATCH	472-473
560	QUARTER TURN - EASY FIXING	208
561	KNOB LOCK (plastic)	213
562	PADLOCKABLE - WING KNOB	200,479
566	MINI QUARTER TURN - EASY FIXING	235
571	SLIDING LATCH	162
593	SIDE HINGE	296
595	CONCEALED HINGE	325-332
599	LEAF HINGE	373
600	CORNER HINGE/HVAC HINGE	351-353, 502
600	HINGE WITH BEARING	387-389
601	SWINGHANDLE	27

Group code:	Product name:	Page:
602	SWINGHANDLE - ROD CONTROL	60
612	HVAC LOCK	131-133
660	QUARTER TURN - EASY FIXING	209
661	QUARTER TURN - EASY FIXING	210
662	QUATER TURN- PADLOCKABLE	202-203
671	SLIDING LATCH	162
693	SIDE HINGE	297
693	HINGE WITH BEARING	395
695	CONCEALED HINGE	316-317, 490-491
699	LIFT - OFF HINGE	384- 385
700	CORNER HINGE/HVAC HINGE	354-355
700	HVAC HINGE	390 -391
708	SWINGHANDLE	46-47
712	FUNCTIONAL LOCKING HINGE	134- 135
760	QUARTER TURN- SPRING LOADED	212
761	CAM LATCH - EASY FIXING	250
761	QUARTER TURN - EASY FIXING	211
793	SIDE HINGE	288
795	CONCEALED HINGE	318, 492
799	LEAF HINGE	376,509
800	HVAC HINGE	392
808	SWINGHANDLE	45
809	SWINGHANDLE - ROD CONTROL	83
860	QUARTER TURN LATCH	484
893	SIDE HINGE	289
895	CONCEALED HINGE	320
899	LEAF HINGE	371, 512
900	LEAF HINGE	370
908	SWINGHANDLE	37
909	SWINGHANDLE - ROD CONTROL	76
960	QUARTER TURN-MODULER HANDLE	205
993	SIDE HINGE	292
995	CONCEALED HINGE	322-323, 495,497
999	LEAF HINGE	513
1060	QUARTER TURN - SPRING LOADED	469
1093	SIDE HINGE	291
1095	CONCEALED HINGE	321
1193	SIDE HINGE	293
1199	LEAF HINGE	379
1293	LIFT-OFF HINGE	500
1299	MINI LEAF HINGE	359, 502
1300	ADHESIVE GASKET	400-401
1399	LEAF HINGE	366-367
1495	CONCEALED HINGE	307
1499	LEAF HINGE	369
1599	LEAF HINGE	374-375, 510-511
1699	LEAF HINGE	368
1795	CONCEALED HINGE	319
1995	CONCEALED HINGE	324, 496

# INDEX

Group code:	Product name:	Page:
2220	CIRCULAR INSPECTION WINDOW	433
2099	TORQUE HINGE	380
2150	DRAWING POCKET (A4)	432
2152	DRAWING POCKET (A5)	432
2199	TORQUE HINGE	380
2215	COUNTER SCREEN	434
2216	COUNTER SCREEN	434
2399	ADJUSTABLE TORQUE HINGE	382
240X	CAGE NUT	435
2599	TORQUE HINGE	381
245X	EYEBOLT	435
2499	ADJUSTABLE TORQUE HINGE	383
2700	TOGGLE LATCH	437
2701	TOGGLE LATCH	437
2750	SPRING LOADED LATCH WITHOUT STUD	439
2751	SPRING LOADED LATCH WITH STUD	439
276X	MINI INDEXING PLUNGERS	438
2800	ROTARY LACTH (Mini)	150-153
2801	CABLES	159
2810	ROTARY LACTH (Large)	154-155
2890	CONCEALED HINGE	515
2899	LEAF HINGE	377, 515
2999	LEAF HINGE	514
3099	LIFT-OFF HINGE	503
3101	ELECTRONIC SWINGHANDLE	532
3102	ELECTRONIC SWINGHANDLE	533
3103	ELECTRONIC SWINGHANDLE	534
3104	ELECTRONIC SWINGHANDLE	535
3105	ELECTRONIC SWINGHANDLE	538
3106	ELECTRONIC SWINGHANDLE	539
3211	ELECTRONIC CABINET LOCK	544
3212	ELECTRONIC CABINET LOCK	545
3213	ELECTRONIC CABINET LOCK	546
3214	ELECTRONIC CABINET LOCK	547
3201	ELECTRONIC CABINET LOCK	550
3202	ELECTRONIC CABINET LOCK	548
3203	ELECTRONIC CABINET LOCK	549
3204	ELECTRONIC CABINET LOCK	542
3205	ELECTRONIC CABINET LOCK	542
3203	ELECTRONIC CABINET LOCK	549
3299	LIFT-OFF HINGE	503
3301	ELECTRONIC CABINET LOCK	551
3311	SOLENOID LOCK	541
3331	ELECTRONIC ROTARY LATCH	156-157
3341	ELECTRONIC KEEPER	540
3399	LIFT-OFF HINGE	503
3402	ACCESS CONTROL UNIT (ACU)	526
3403	ACCESS CONTROL UNIT (ACU PLUS)	528
3414	ACCESS INTERFACE (AIK) - KEYPAD	530

Group code:	Product name:	Page:
3415	ACCESS INTERFACE (AIP) - PROXIMITY	530
3416	STANDALONE ACCESS INTERFACE (S-AIK) - KEYPAD	529
3417	STANDALONE ACCESS INTERFACE (S-AIK) - KEYPAD	529
3501	EMERGENCY STOP BUTTON	139
3599	LIFT-OFF HINGE	499
4150	COMBINATION LOCK	278
4299	LIFT - OFF HINGE	378, 501
	CAMS WITH STOPPER	170 - 171
	CAMS WITHOUT STOPPER	172 - 173
	STAINLESS STEEL CAMS	174
	ADDITIONAL CAMS	175
	SLIDE SHOE FOR CAM	176
	HOOK CAMS	176
	ACTUATOR PLATES	177
	ROUND ROD ACCESSORIES	180
	FLAT ROD ACCESSORIES	181 - 182
	ROD CORNER CONTROL (RCC)	183
	ROUND RODS	184, 185
	FLAT RODS	186, 187, 188
	KEYS	189 - 191





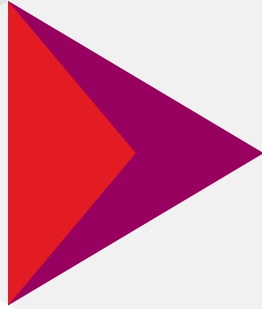
**OVER  
35,000  
PRODUCTS**

**VISIT US  
ONLINE!**

- ▶ Buy online
- ▶ Request free samples
- ▶ Easy to find products
- ▶ Download 3D CAD files

**[www.essentracomponents.co.uk](http://www.essentracomponents.co.uk)**

Conditions of sale can be found on our website - [www.essentracomponents.co.uk](http://www.essentracomponents.co.uk)



# WHY BUY ESSENTRA?

## OVER 35,000 PRODUCTS FROM STOCK

Essentra Components offer an extensive product choice, with all items available from stock for same day dispatch. This includes over 35,000 products featured in our full components catalogue.

[www.essentracomponents.co.uk](http://www.essentracomponents.co.uk)

- Discover all our product ranges
- Request free samples
- Buy online
- Download free 3D-CAD's

## EASY ORDERING

You can submit your order by phone, fax email or web. For orders, free samples, no-obligation quotes or advice about our products:

Tel: 0845 758 5070 (local rate call)

Fax: 0845 609 0049

Email: [sales@essentracomponents.co.uk](mailto:sales@essentracomponents.co.uk)

Web: [www.essentracomponents.co.uk](http://www.essentracomponents.co.uk)



**ESSENTRA**  
COMPONENTS

See our Conditions of Sale at [www.essentracomponents.co.uk](http://www.essentracomponents.co.uk).