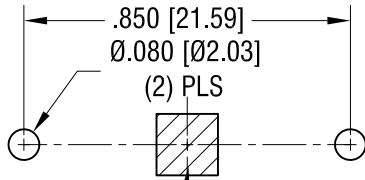


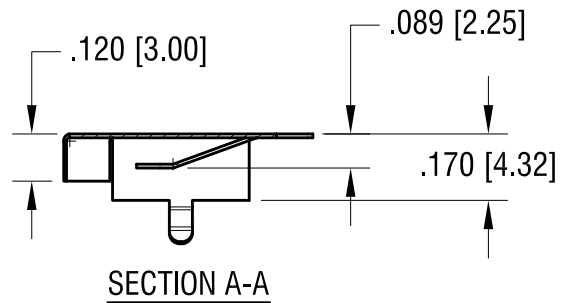
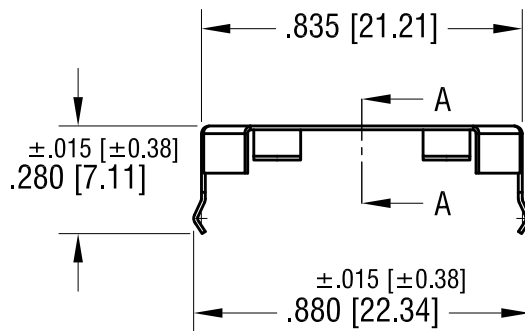
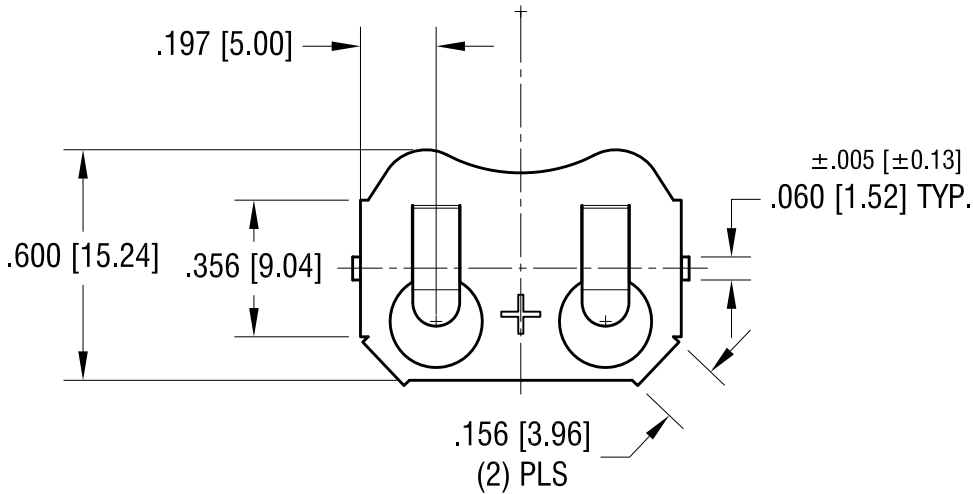
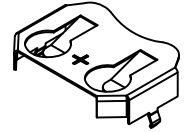
THIS DOCUMENT IS THE PROPERTY OF
KEYSTONE ELECTRONICS CORP. AND
SHALL NOT BE REPRODUCED, DISTRIBUTED
OR USED AS A BASIS FOR MANUFACTURE
WITHOUT PRIOR WRITTEN PERMISSION
FROM KEYSTONE ELECTRONICS CORP.

MOUNTING PAD LAYOUT



NEG. CONTACT (PAD)
.160 [4.00] SQ. MIN.

ACTUAL SIZE



KEYSTONE ELECTRONICS CORP.

www.keyelco.com • ASTORIA, N.Y. 11105-2017 • Tel (718) 956-8900

PART NAME

THM COIN CELL RETAINER FOR 20mm

MATERIAL

.010 [0.25] PHOSPHOR BRONZE

FINISH

NICKEL PLATE

DRN BY

NT

DATE

3.30.15

APP'D

LN

SCALE

2X

TOLERANCES

INCH [MM]

DECIMAL ±.010 [±0.25]

ANGULAR ± 1°
UNLESS OTHERWISE SPECIFIED

CODE

C

DWG NO.

3035

DATE

DESCRIPTION

REV.