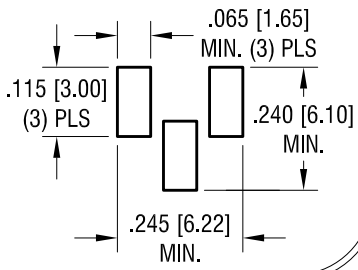
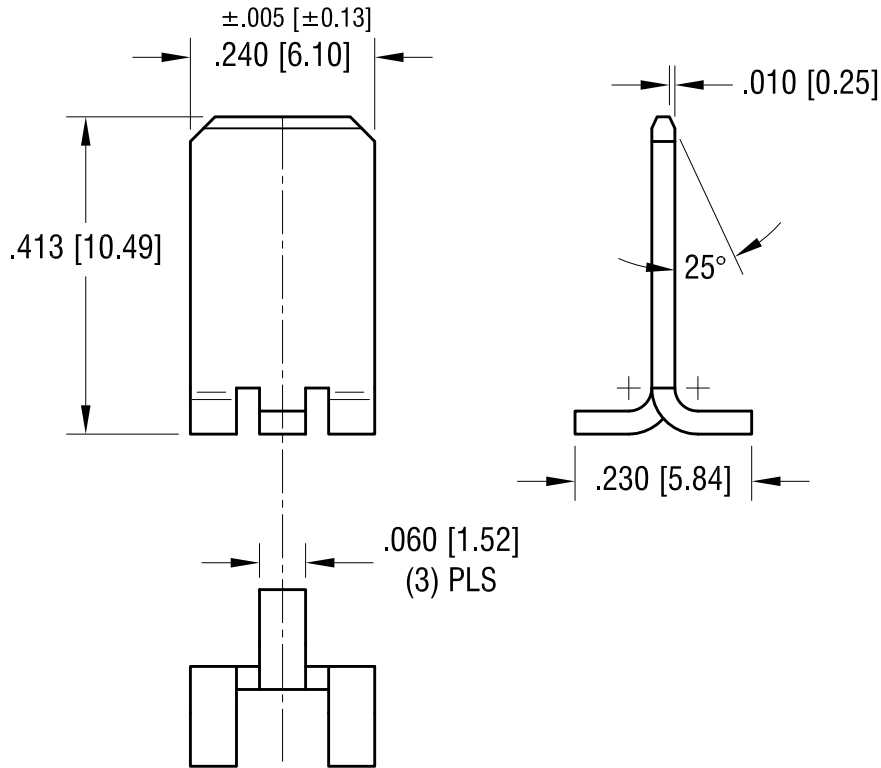


THIS DOCUMENT IS THE PROPERTY OF  
KEYSTONE ELECTRONICS CORP. AND  
SHALL NOT BE REPRODUCED, DISTRIBUTED  
OR USED AS A BASIS FOR MANUFACTURE  
WITHOUT PRIOR WRITTEN PERMISSION  
FROM KEYSTONE ELECTRONICS CORP.

**MTG. DETAIL**



**ACTUAL SIZE**



**KEYSTONE ELECTRONICS CORP.**

www.keyelco.com • ASTORIA, N.Y. 11105-2017 • Tel (718) 956-8900

|                            |        |                        |         |
|----------------------------|--------|------------------------|---------|
| PART NAME                  |        | QUICK FIT TERMINAL     |         |
| MATERIAL                   |        | .032 [0.81] TH'K BRASS |         |
| FINISH                     | DRN BY | DATE                   |         |
| MATTE TIN PLATE            | NT     | 9.14.16                |         |
|                            | APP'D  | SCALE                  |         |
|                            | LN     | 4X                     |         |
| TOLERANCES                 | INCH   | [MM]                   | CODE    |
| DECIMAL                    | ± .010 | [± 0.25 ]              | C       |
| ANGULAR                    | ± 1°   |                        |         |
| UNLESS OTHERWISE SPECIFIED |        |                        | DWG NO. |
|                            |        |                        | 4928    |

|      |             |      |
|------|-------------|------|
| DATE | DESCRIPTION | REV. |
|      |             |      |