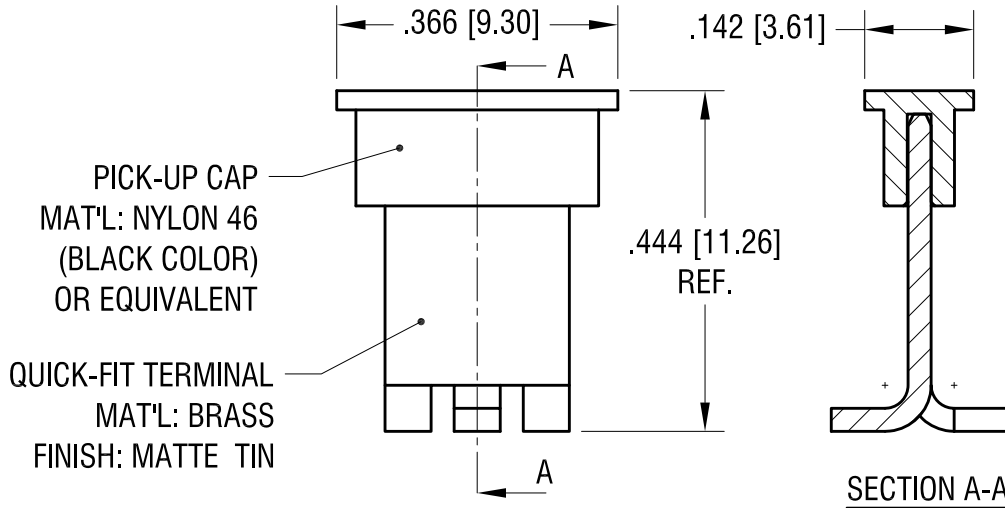
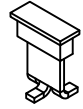


THIS DOCUMENT IS THE PROPERTY OF KEYSTONE ELECTRONICS CORP. AND SHALL NOT BE REPRODUCED, DISTRIBUTED OR USED AS A BASIS FOR MANUFACTURE WITHOUT PRIOR WRITTEN PERMISSION FROM KEYSTONE ELECTRONICS CORP.

ACTUAL SIZE

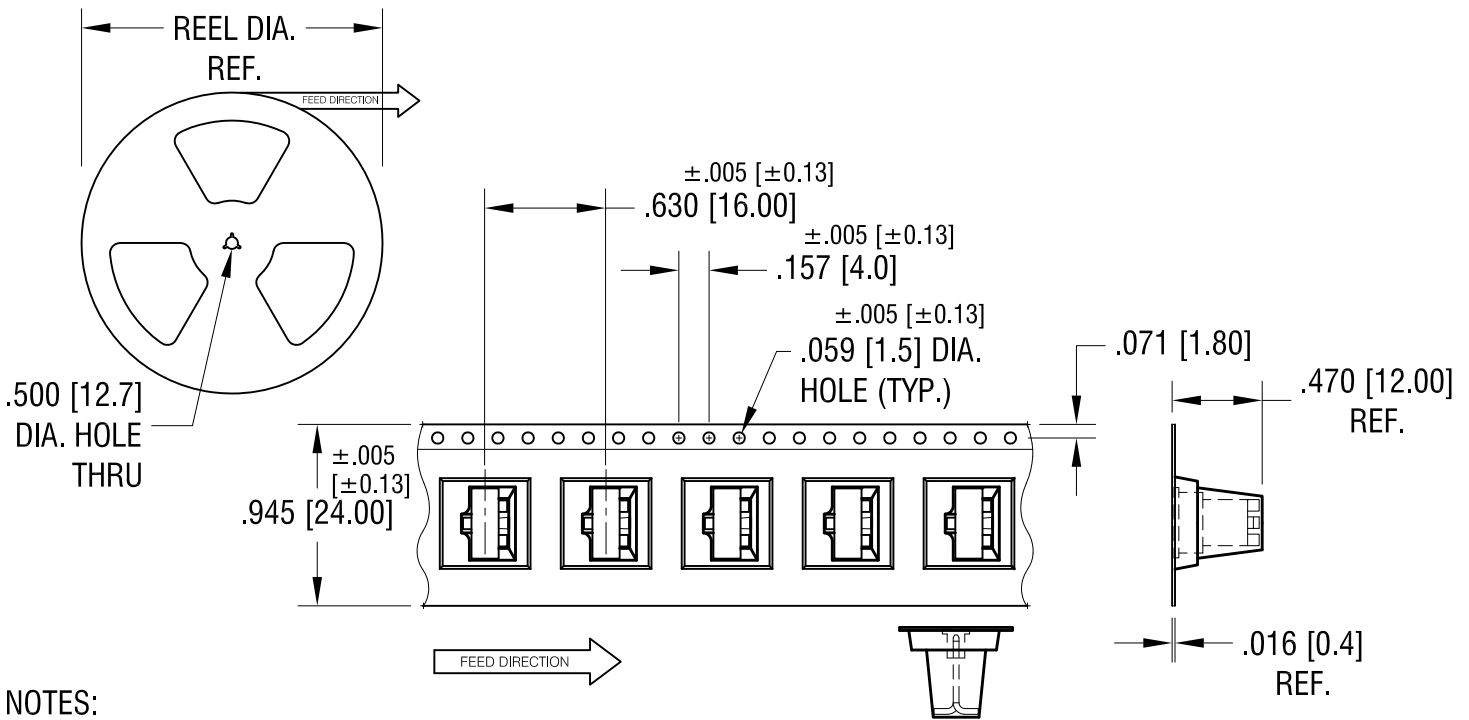


PICK-UP CAP
MAT'L: NYLON 46
(BLACK COLOR)
OR EQUIVALENT

QUICK-FIT TERMINAL
MAT'L: BRASS
FINISH: MATTE TIN

SECTION A-A

P/N 4928 WITH CAP
SCALE: 4X



NOTES:

TAPE AND REEL SPECIFICATIONS:

1. TAPE:
MAT'L - ALL CONDUCTIVE POLYSTYRENE CARRIER
ANSI/EIA-481 STANDARD
2. REEL:
13.0 [330.2] DIA. 250 PIECES OF
PART NO. 4928 WITH CAP PER REEL.

KEYSTONE ELECTRONICS CORP.

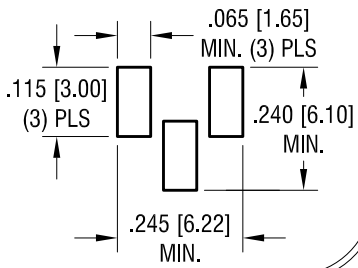
www.keyelco.com • ASTORIA, N.Y. 11105-2017 • Tel (718) 956-8900

PART NAME		QUICK FIT TERMINAL, ON TAPE	
MATERIAL		AS NOTED	
FINISH	AS NOTED	DRN BY	NT
		APP'D	LN
		DATE	9.14.16
		SCALE	X
TOLERANCES	INCH [MM]	CODE	DWG NO.
DECIMAL	± .015 [± 0.38]	C	
ANGULAR	± 1°		
UNLESS OTHERWISE SPECIFIED			4928TR

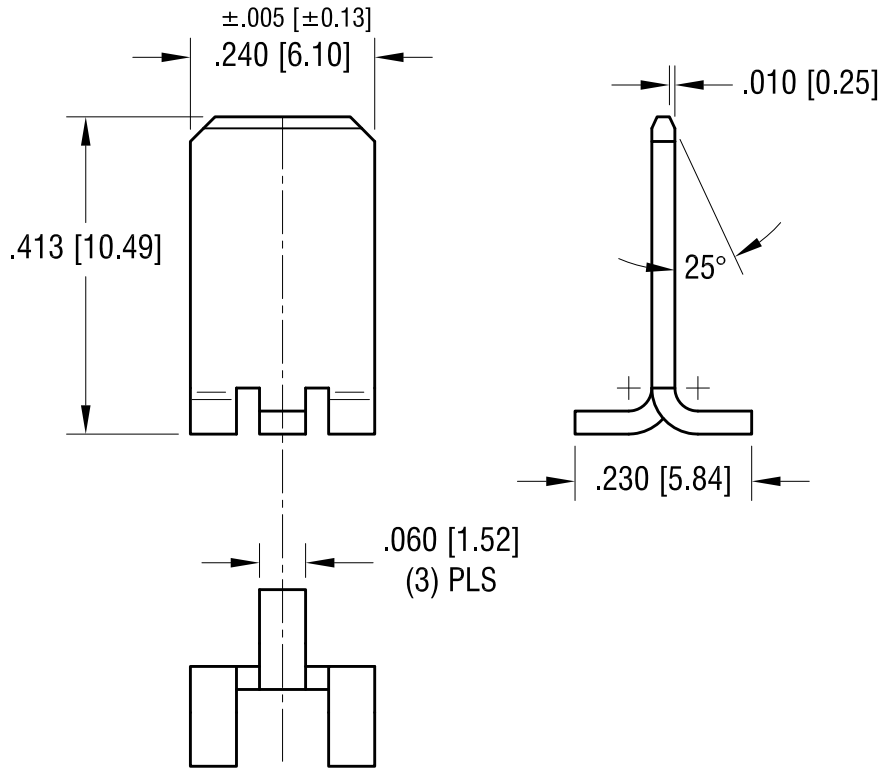
12.27.16	CHANGE AS PER ECN 16-113	A
DATE	DESCRIPTION	REV.

THIS DOCUMENT IS THE PROPERTY OF
KEYSTONE ELECTRONICS CORP. AND
SHALL NOT BE REPRODUCED, DISTRIBUTED
OR USED AS A BASIS FOR MANUFACTURE
WITHOUT PRIOR WRITTEN PERMISSION
FROM KEYSTONE ELECTRONICS CORP.

MTG. DETAIL



ACTUAL SIZE



KEYSTONE ELECTRONICS CORP.

www.keyelco.com • ASTORIA, N.Y. 11105-2017 • Tel (718) 956-8900

PART NAME		QUICK FIT TERMINAL	
MATERIAL		.032 [0.81] TH'K BRASS	
FINISH	DRN BY	DATE	
MATTE TIN PLATE	NT	9.14.16	
	APP'D	SCALE	
	LN	4X	
TOLERANCES	INCH	[MM]	CODE
DECIMAL	± .010	[± 0.25]	C
ANGULAR	± 1°		
UNLESS OTHERWISE SPECIFIED			DWG NO.
			4928

DATE	DESCRIPTION	REV.