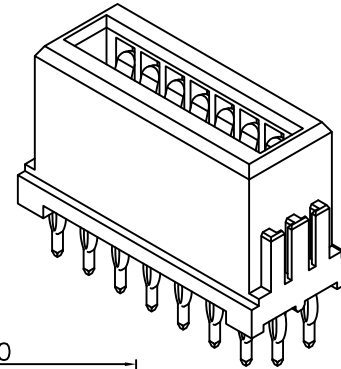
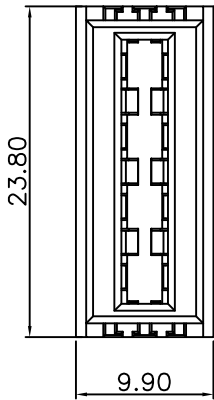


REV.	SPECIFICATION	ECN NO.	APPD.
X3			



Material:

Housing: High Temperature Plastic UL94V-0 .

Power Contacts: Copper Alloy

Electrical Characteristics:

Current Rating: 150AMP.

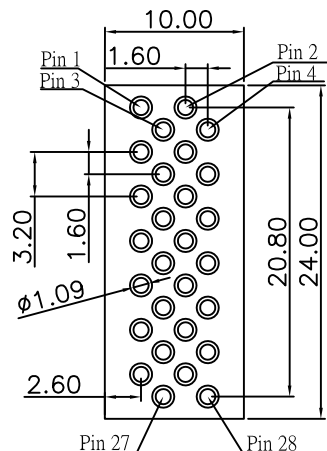
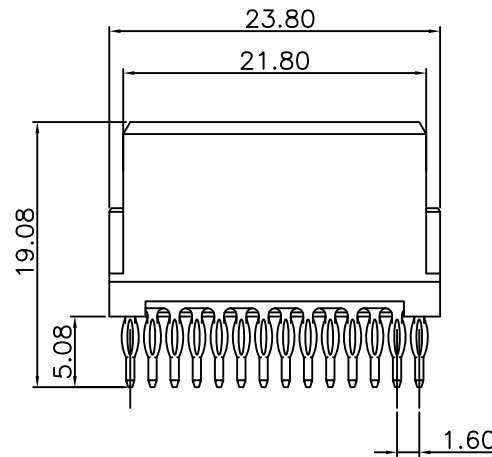
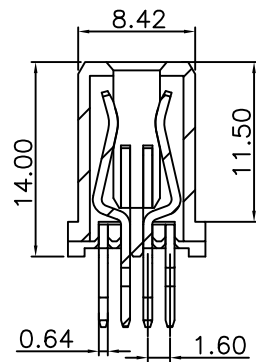
Dielectric Withstanding Voltage: AC 1500V For 1 minute.

Insulator Resistance: 5000MΩ min. at DC 500V.

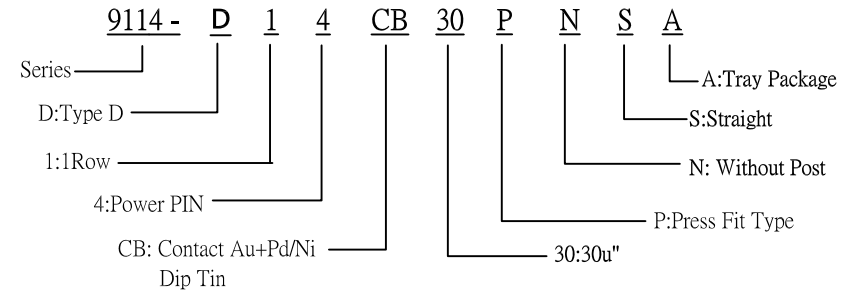
Contact Resistance: 0.50mΩ max.
0.25mΩ min.

Operating Temperature: -40°C~+105°C.

***RoHS Compliant**



P.C.Board Layout
(Tolerance:±0.05)



Tolerances	Dwg No.	9114-D0000-013
x = ±0.50	Projection	
.x = ±0.25	Unit	mm
.xx = ±0.15	Scale	1:1
	Drawn By	LQ 03/18'16

Title:
9114 Series
Female Power 150AMP
Connector

OUPIIN ELECTRONIC(KUNSHAN) CO., LTD.			
P/N: 9114-D14CB30PNSA			
SHEET	1/1	Ver.No.	X3