



AUTHORIZED DISTRIBUTOR





Essential Solutions

# ACCESS HARDWARE



MAKING IT EASIER



	COMPRESSION LATCHES .....	8 - 9
	WING KNOB LOCKS .....	10
	SPRING LOADED LATCHES & LOCKS .....	11
	MINI SLIDING LOCKS.....	12
	DRAW LATCHES.....	12
	COMPRESSION LATCHES .....	13
	HEAVY DUTY LATCHES.....	14 - 15
	CONCEALED HINGES .....	16
	SURFACE MOUNT HINGES.....	16 - 17
	GASKETING .....	17
	HANDLES .....	18

# ACCESS SOLUTIONS

Whatever your project demands, we can help with a comprehensive range of high-quality Access Hardware and custom solutions for all your application requirements.

With free CAD's, samples and specialist advice available, there is no better choice for your solutions provider.



Our expertise ranges across multiple industries, supported by outstanding customer service. We can reduce your lead times, and provide custom solutions to help you achieve your business goals.

## INDUSTRIES



Indoor & Outdoor Cabinets



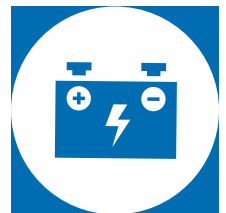
IT Cabinets



Transformers



Industrial Machinery



Power Generators



HVAC



Road Transportation



Rail Transportation



Food Industry



Diversified Applications

# CUSTOM SOLUTIONS

Sometimes you may not find the perfect solution amongst our portfolio of standard products. You may require a small variation, an alternative color, material or size.

Talk to our in-house team of design engineers and work directly with our R&D and manufacturing centers to create a custom solution to meet your needs.

We utilize 3D printing technology to showcase our designs which ensures your Specifications: are met and assists in expediting lead times from quotation to delivery.



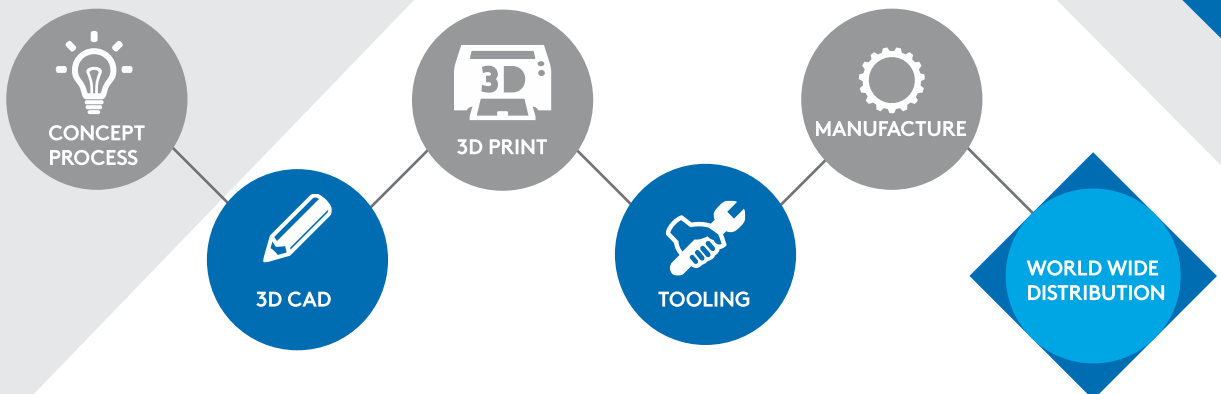
## Capabilities

- Design custom products
- Range of color choices
- Customer logo requirement



## R&D

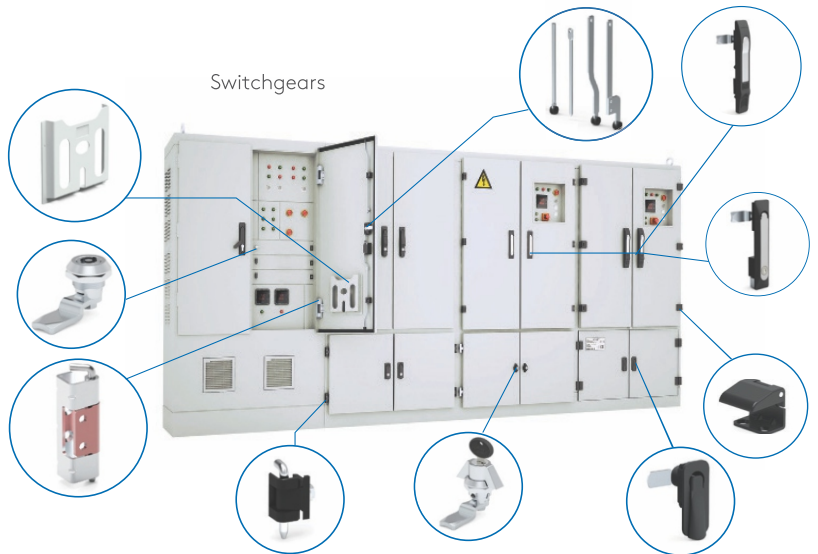
Facilitated by our state of the art R&D facilities we are constantly pursuing innovation to offer new and alternative solutions to you and your customers everyday problems.





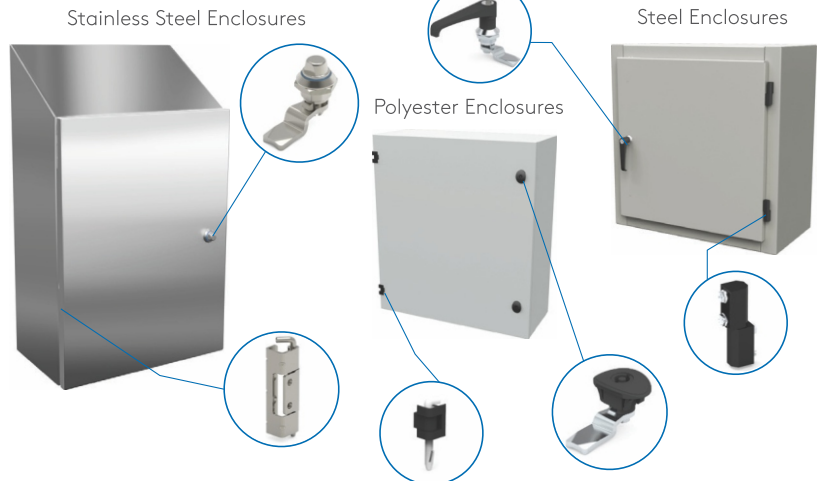
## Indoor Cabinets

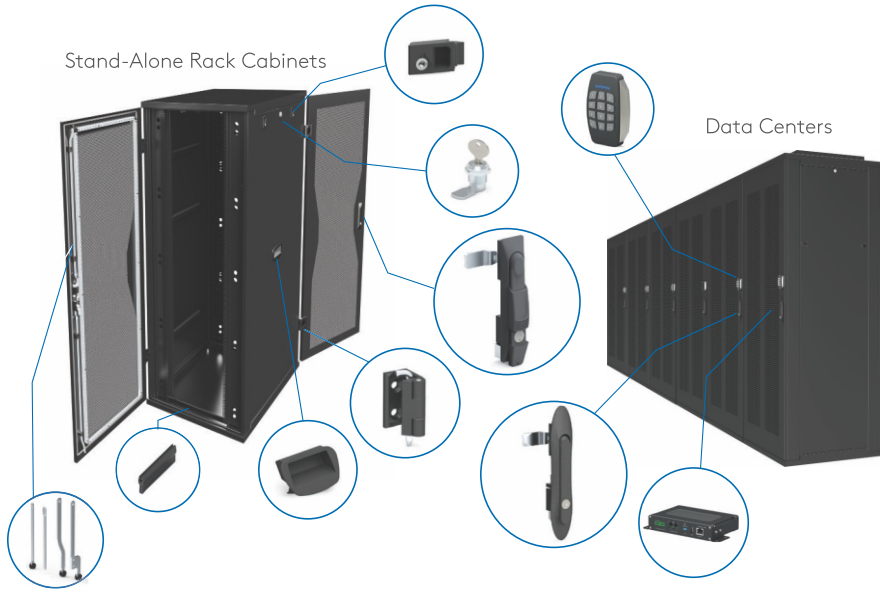
Essentra Components has an extensive range of secure switchgears, primarily for use on indoor cabinets. The range covers Swinghandles, Linear Locking Systems, 3 Point Locking Systems, Multipoint Locking systems, QuarterTurns, Camlocks, Hinges, Gaskets, and Project Holders.



## Outdoor Cabinets

Specialist cabinet locks are required for a variety of applications not limited to ADSL, Telecommunication and CCTV applications. We offer a wide range of products in this sector including high security 1/2 din locks and WK2 standard locks.





## IT Cabinets

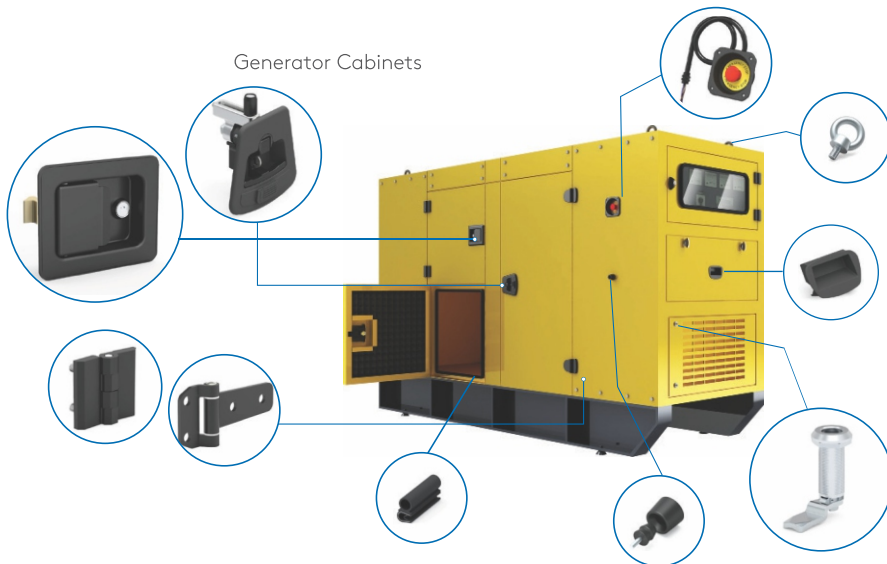
With sensitive data becoming more and more prevalent, it's now more important than ever to securely manage your electronic cabinets. We've designed a range of high-tech Electromechanical Locking Systems to help monitor and track internal environments and entry to cabinets.



## Power Generators

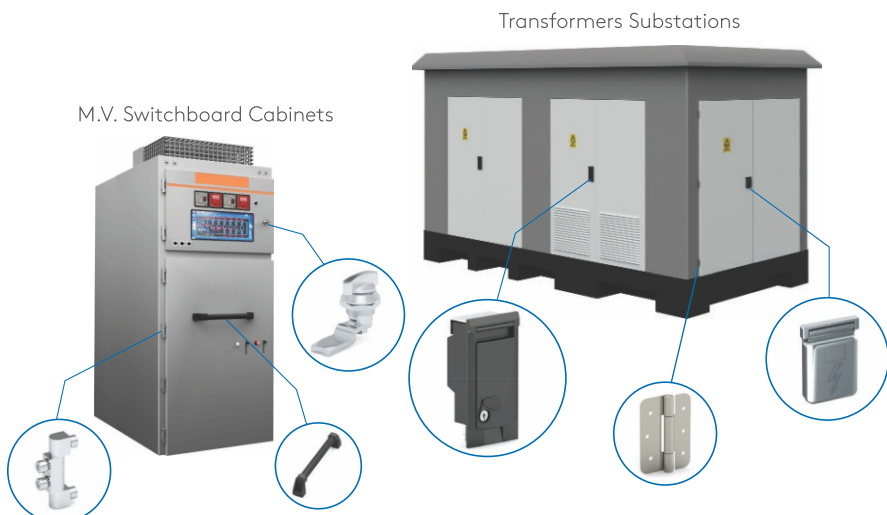
Our eclectic product range means we've got a solution no matter how complex your needs.

With our customer-centric designs, alternative solutions and our high-standard products, we can meet all your needs for both basic and sound proof canopies.



## Transformers

When working with transformers, it's important that all entry points are kept secure, particularly areas that contain medium voltage cells. Our solutions are high quality and secure, including hinges and locks designed for containment resistant requirements.

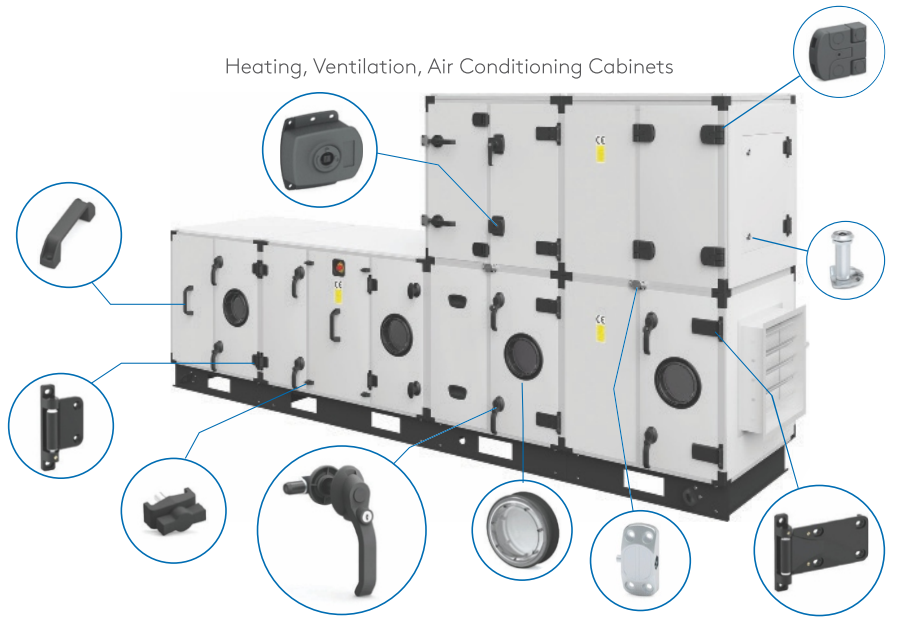




## HVAC

Outdoor HVAC cabinets need to cope with the differing environments in which they are used while ergonomics, functionality and modular system solutions are more common requirements. Our solutions are designed with this in mind so no matter the application, our offering will meet your needs.

Heating, Ventilation, Air Conditioning Cabinets



## Diversified Applications

Our expertise spans across many industries, allowing catered solutions to be produced for a number of non-standard applications.

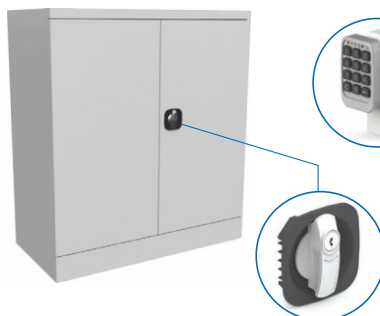
Tool Cabinets



Fire Extinguisher



File Cabinets

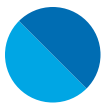


Lockers



Furniture

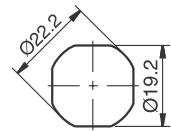
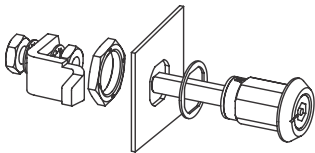
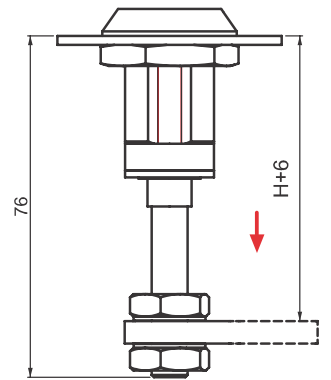
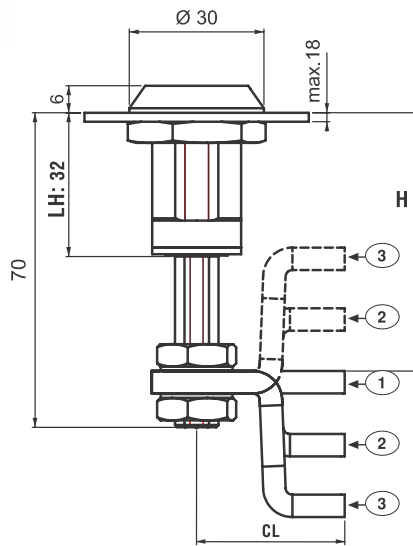




## ADJUSTABLE COMPRESSION LATCHES

## 040 Series

## Adjustable Compression Latches &amp; Locks



Cut-Out

## Specifications:

- Material:  
Housing: Zinc Alloy  
Driver: Zinc Alloy  
Cam: Steel  
Washer: Rubber
- Finish: See Table

## Features:

- Wide Grip range with adjustable screw
- Latch provides good compression, noise dampening and better sealing under vibration condition
- Provides 6mm preset compression
- Lock is vibration and shock rated per DIN-EN 61373
- Housing and driver is DIN-EN 1774 rated
- Alternate cut-out available, contact Essentra for details

**⚠ ALTERNATE DRIVERS AVAILABLE.**

**⚠ CAMS SOLD SEPARATELY.**

**⚠ DRIVER KEY SOLD SEPARATELY.**

**Round Spurred Lock Washer - Optional**

- Item No. 060A3
- Ideal for round through hole Installation
- Ordered separately

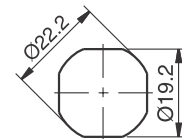
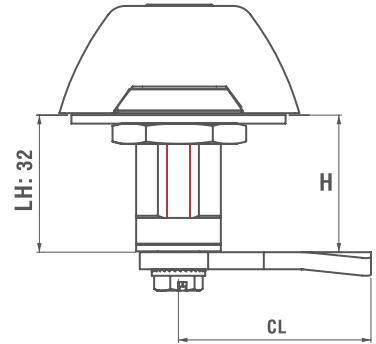
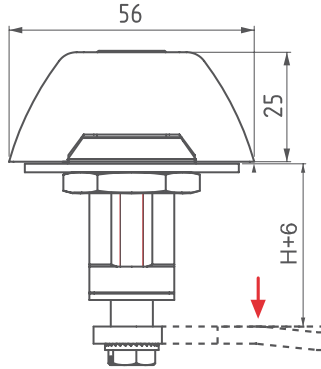
Driver Style	
42	93
2 x 4mm Slot	Tubular Key

Item No.	Black Powder Coated	Driver Style	Driver Description	Hand Operation
0404124200002		42	2 x 4mm Slot	Left
0404129300002		93	Tubular Key	Left





**340 Series**  
**Compression Latches - Wing Knob Fixed Locks**



**Cut-Out**

**Specifications:**

- Material:  
 Housing: Zinc Alloy  
 Knob: Zinc Alloy  
 Cam: Steel  
 Gasket: Rubber
- Finish: See Table
- Housing and Knob are DIN-EN 1774 rated
- Two keys supplied with every lock

**Features:**

- Ideal for applications that require better sealing
- Provides 6mm preset compression
- For alternate cut-outs, cylinders or padlockable version, please contact Essentra for details

**⚠ CAMS SOLD SEPARATELY.**

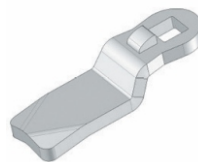
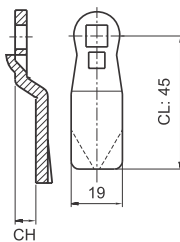


**Round Spurred Lock Washer - Optional**

- Item No. 060A3
- Ideal for round through hole installation
- Ordered separately

Item No.	Cylinder Description
Black Powder Coated 3403120700	CH 751 (Stainless Steel Shutter)

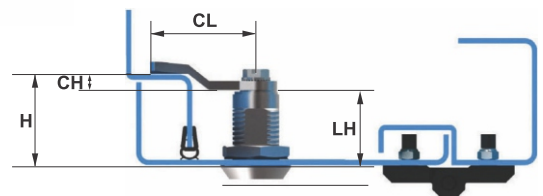
**Cams With Stoppers**



**Specifications:**

- Material: Steel
- Finish: Zinc Plated
- Thickness: 4mm

- H = Grip
- LH = Housing Length
- CL = Cam Length
- CH = Cam Height
- Please contact Essentra for alternate cam options



**Know your Latch Housing Length (LH) and identify your Grip (H). Total Grip (H) is measured from the mounting outer surface and the contact surface of the inner frame. See illustration. When the Grip (H) is determined, select the matching cam from the options below.**

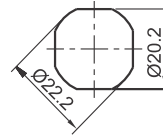
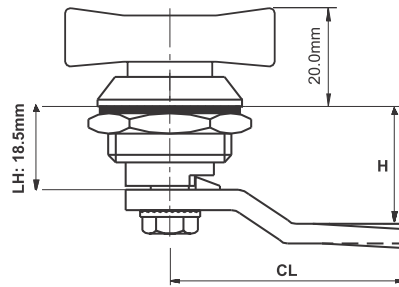
Item No.	CC	CH		H Grip					
		Height	Length	LH = 18.5	LH = 20	LH = 30	LH = 40	LH = 50	LH = 60
30403161	36	8	45	26.5	28	38	48	58	68



# QUARTER TURN LATCHES - WING KNOB LOCK

## 062 Series

### Quarter Turn Latches - Wing Knob Lock



Cut-Out

Specifications:

- Material:
- Gasket: Rubber
- Finish: See Table
- Housing and Knob are DIN-EN 1774 rated

Features:

- Wing operates lock and serves as knob

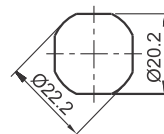
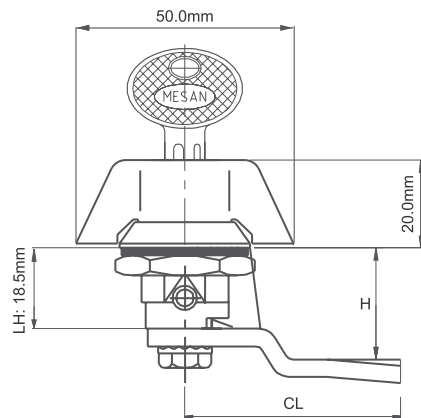
**⚠ CAMS SOLD SEPARATELY.**



Item No.	Material	Finish
0621200	Zinc Alloy	Black Powder Coated

## 065 Series

### Cam Latches - Wing Knob Locks



Cut-Out

Specifications:

- Material:
- Gasket: Rubber
- Housing: Zinc Alloy
- Housing and Driver are DIN-EN 1774 rated
- Two keys supplied with every lock

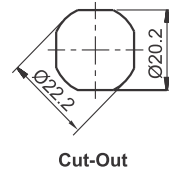
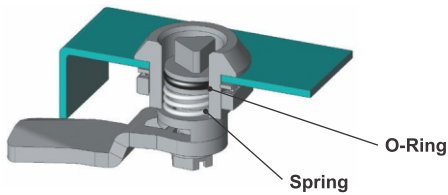
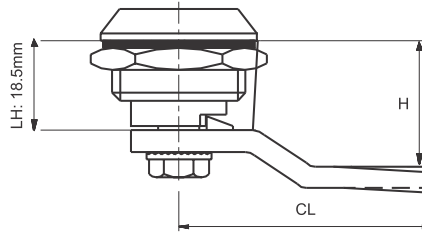
Features:

- Quarter turn operation
- For alternate cylinders, please contact Essentra for details

**⚠ CAMS SOLD SEPARATELY.**



Item No.	Cylinder Description
Zinc Alloy Black Powder Coated 065120700	CH751 (Stainless Steel Shutter)


**060 Series  
Spring Loaded Latches & Locks**

**Specifications:**

- Material:  
Cam: Steel or Nylon  
Gasket: Rubber
- Housing and driver is DIN-EN 1774 rated

**Features:**

- Internal spring provides tactile resistance
- Cam does not rotate beyond quarter turn due to stop lip
- Please contact Essentra for alternate drivers

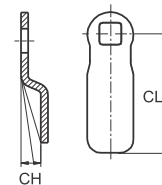
- ⚠ **ALTERNATE DRIVERS AVAILABLE.**
- ⚠ **CAMS SOLD SEPARATELY.**
- ⚠ **DRIVER KEY SOLD SEPARATELY.**

Driver Style		
15	28	42
5mm Double Bit	8mm Square	2 x 4mm Slot

Item No.		Driver Style	Driver Description
Zinc Alloy Chrome Plated	Zinc Alloy Black Powder Coated		
—	060121500	15	5mm Double Bit
060112800	—	28	8mm Square
—	060124200	42	2 x 4mm Slot

**Cams Without Stoppers**
**Specifications:**

- Material: Steel
- Finish: Zinc Plated
- Thickness: 4mm



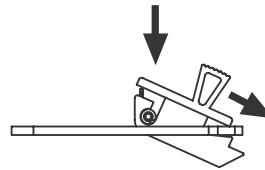
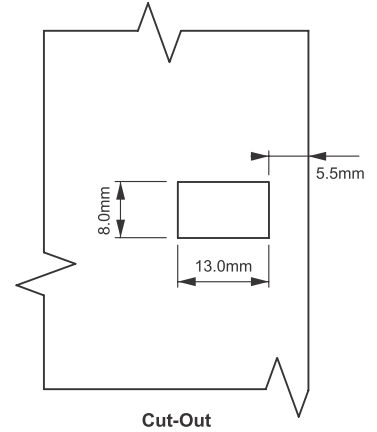
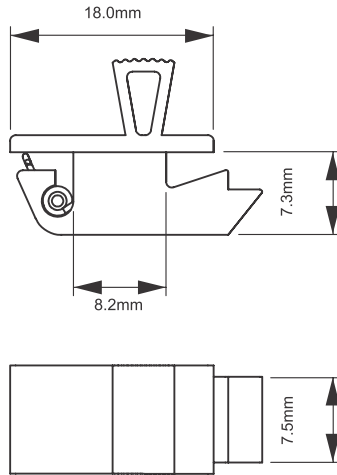
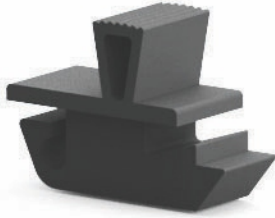
Item No.	Cam Type	CH	CL	Position	H Grip*	
					Min	Max
30403565		0	33	Cam Straight	41	58
30403566		14	33	Reversed	27	44
				Forward	55	72
30403567		27.5	33	Reversed	13.5	30.5
				Forward	68	85

\*Grip is measured in latched position



# MINI SLIDING LOCKS / DRAW LATCHES

## 171 Series Mini Sliding Locks



Specifications:

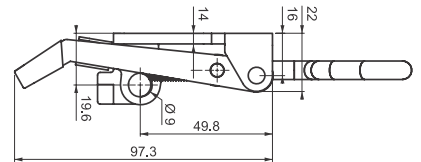
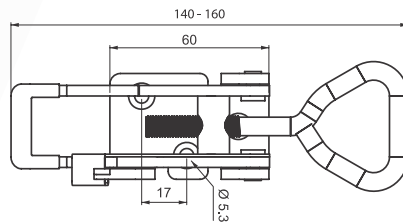
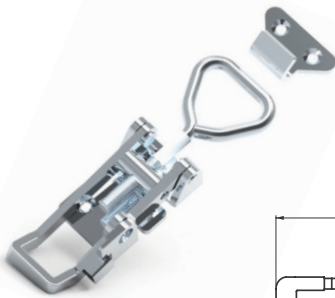
- Material:  
Body: ABS, Black  
Spring: Stainless Steel

Features:

- Suitable for small doors and inside panels

Item No.	Door Thickness (DT) mm
171	0.8 - 1.5

## 340 & 2700 Series Draw Latches

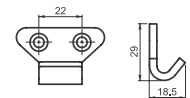


Specifications:

- Material: Steel  
• Finish: Zinc Plated

Features:

- Adjustable

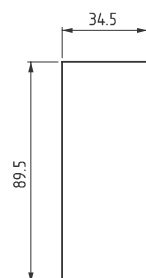
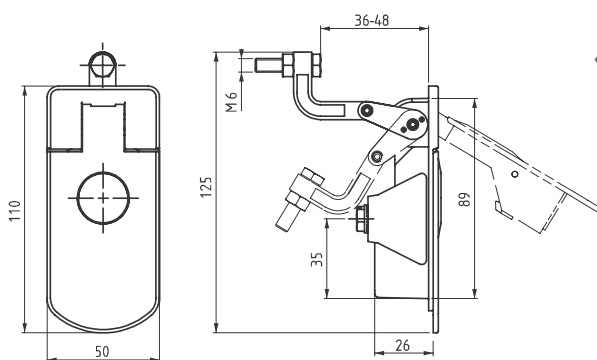


Catch Plate

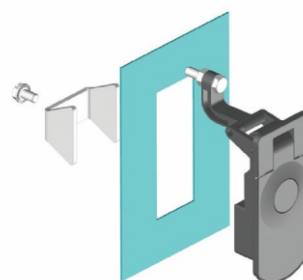
Item No.
34000135



**377 Series**  
**Compression Latch - Adjustable Grip**



**Cut-Out**



**Specifications:**

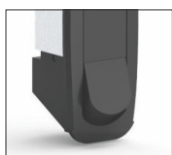
- Material:  
 Body: Zinc Alloy  
 Handle: Zinc Alloy  
 Fixing Bracket: Steel  
 Dust Cap: Stainless Steel
- Finish: Black Powder Coated
- Latch is DIN-EN 1774 rated
- Two keys supplied with every lock

**Features:**

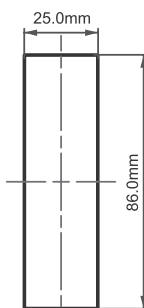
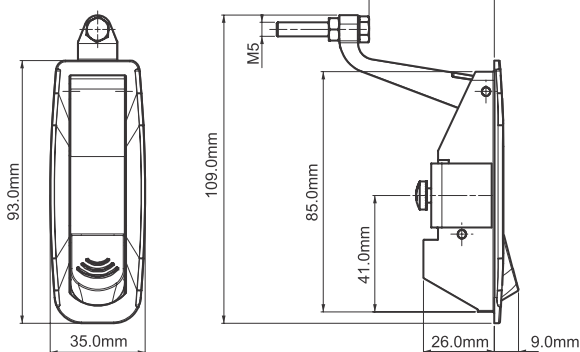
- Available with or without cylinders
- Work with door/panel thickness up to 2mm
- Assemble lock with one fixing bracket
- Please contact Essentra for alternate Finish

Item No.	Cylinder Description
3772207	CH751 (Stainless Steel Shutter)

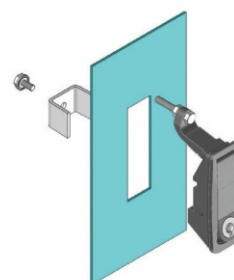
**177 Series**  
**Compression Latches / Off-Set Trigger Locks**



**No Cylinder**



**Cut-Out**



**Specifications:**

- Material:  
 Body: Zinc Alloy  
 Handle: Zinc Alloy  
 Installation Bracket: Steel
- Finish: See Table
- Housing and Handle are DIN-EN 1774 rated
- Two keys supplied with every lock

**Features:**

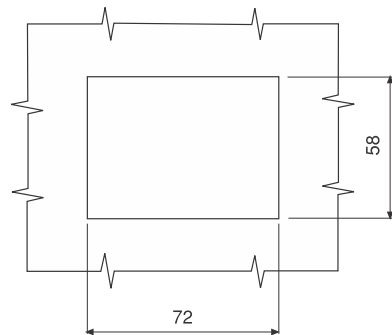
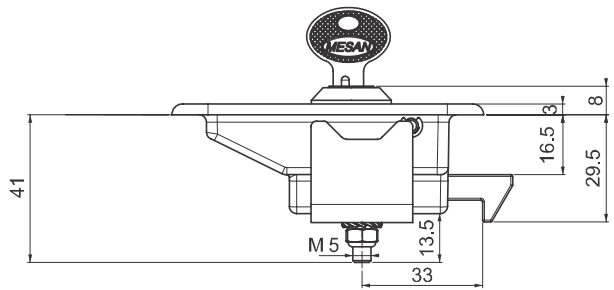
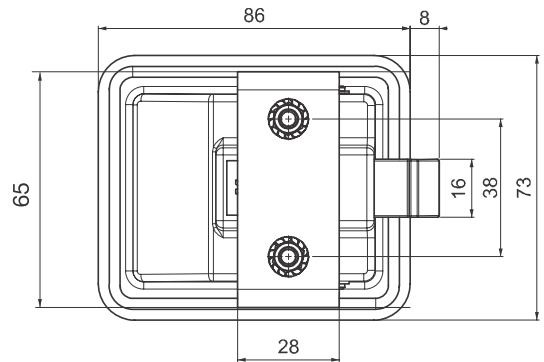
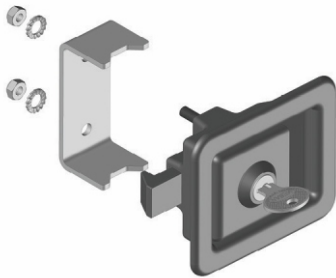
- Available with or without cylinders
- Suitable for 2mm door thickness (Maximum)

Item No.	Grip Adjustment	Cylinder or Driver	Cylinder / Driver Description
1771200	24 - 46mm	Cylinder	No Cylinder



# HEAVY DUTY LATCHES - PUSH TO CLOSE

116 Series  
Push-To-Close Latch



Cut-Out

**Specifications:**

- Material:  
Body: Nylon Black (PA6 30% GF)  
Cam: Delrin  
Mounting Bracket: Steel
- Body is DIN-EN ISO 1043-1 rated
- Handle is DIN-EN 1774 rated

**Features:**

- Mounting bracket included
- Can be opened from inside using Cam
- Please contact Essentra for Keyed to Differ

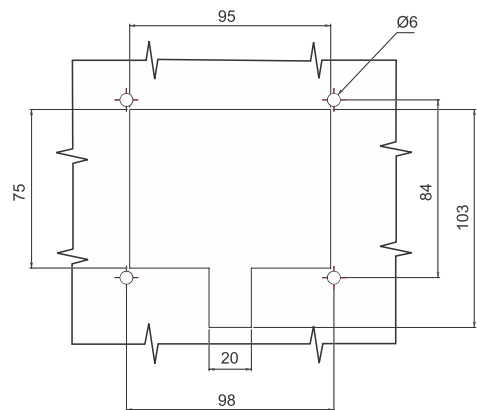
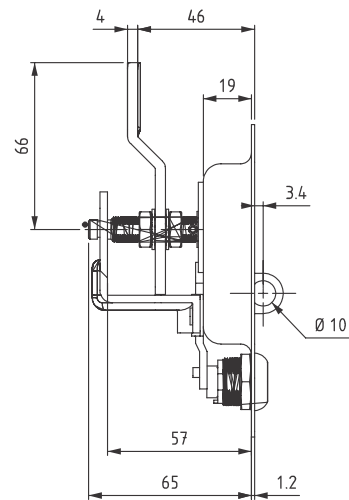
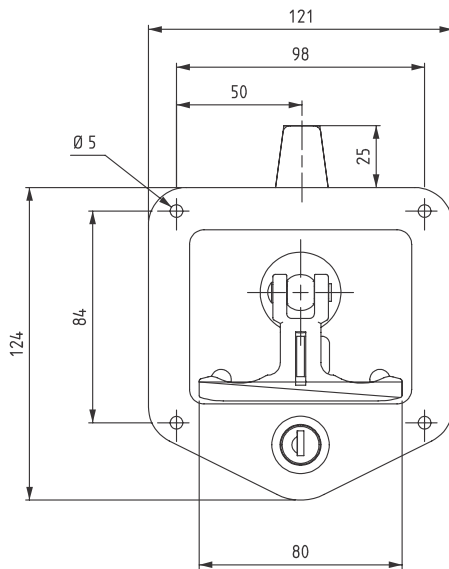
Item No.	Cylinder Description
11601	Keyed Alike

# HEAVY DUTY LATCHES - T HANDLE PADLOCKABLE



## 315 Series

### 'T' Handle - Heavy-Duty Padlockable Latch



**Cut-Out**

#### Specifications:

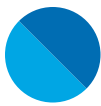
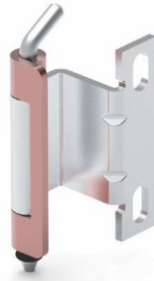
- Material:  
Body: Stainless Steel  
Handle: Zinc Alloy  
Padlock Hasp: Stainless Steel  
Cam: Steel
- Finish: Natural
- Handle is DIN-EN 1774 rated

#### Features:

- Suitable for small case generators, truck utility and tool boxes
- Adjustable Cam for wide grip range
- Maximum padlock shackle diameter 9mm

Item  
No.  
31540

Cylinder Description  
Stainless Steel Shutter (Keyed Alike)

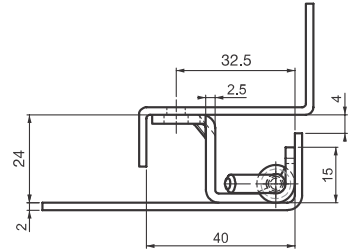
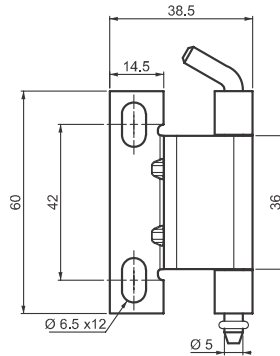
**295 Series  
Concealed Hinges**

Specifications:

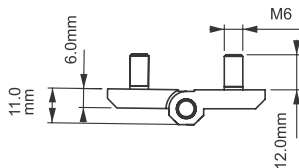
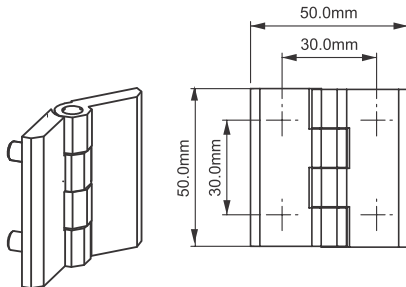
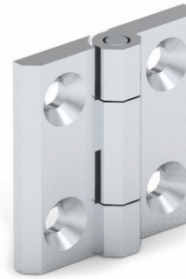
- Material: See Table
- Finish: See Table

Features:

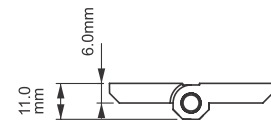
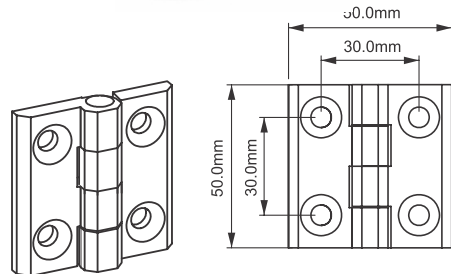
- For doors with a bend between 20 - 24mm
- Hinge rotation 120°
- Frame part is screwed on, door part is welded on
- O-Ring acts as retainer ring for pin: remove O-Ring to pull pin from hinge for door or panel removal



Item No.	Material	Finish
295634	Steel	Zinc Plated

**099 Series  
Surface Mount Hinges**

Version 1



Version 4

Specifications:

- Material: See Table
- Pin Material: Stainless Steel
- Finish: See Table

Features:

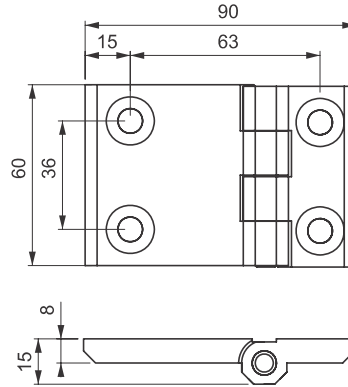
- Generally used for plain/flush-mounted doors
- Maximum hinge rotation 270°
- Suitable for left and right hand applications

Item No.	Material	Finish	Version
099121	Zinc Alloy	Black Powder Coated	1
099124	Zinc Alloy	Black Powder Coated	4





**399 Series**  
Surface Mount Hinges

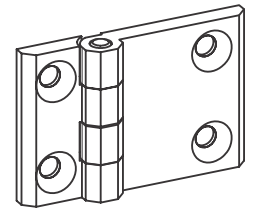


Specifications:

- Material: Zinc Alloy  
Pin Material: Stainless Steel
- Finish: See Table

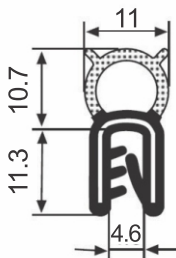
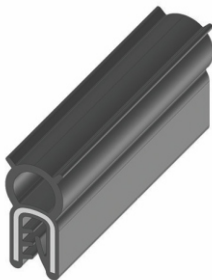
Features:

- Generally used for plain/flush-mounted isolated heavy doors
- Maximum hinge rotation 270°
- Suitable for left and right hand applications
- Please contact Essentra for Stainless Steel versions

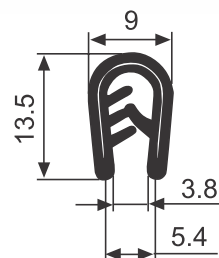


Item No.	Finish
399125	Black Powder Coated

**Gaskets - Profile Sealing**



**923217631 / 34009107**

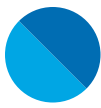


**923216479 / 34009523**

Specifications:

- Material: See Table
- Color: Black

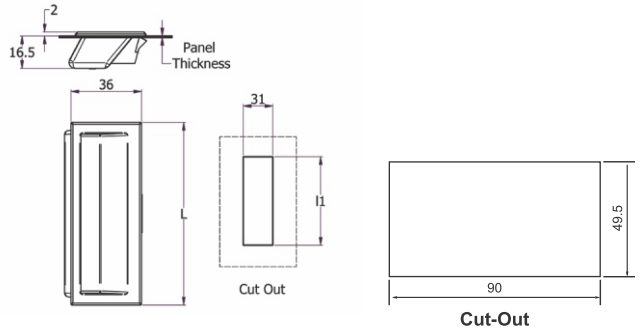
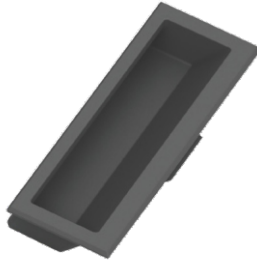
Item No.	Material	Grip Range		Roll Length		Pack Qty.
		mm	ft	m		
34009107	EPDM	1.0 - 3.5	328	100		1
34009523	PVC	1.5 - 4.0	492	150		1



# SNAP IN RECESSED HANDLES / BRIDGE HANDLES

## 274 Series

### Snap-In Cover Pull Handle



Specifications:

- Material: Nylon 6
- Color: Black

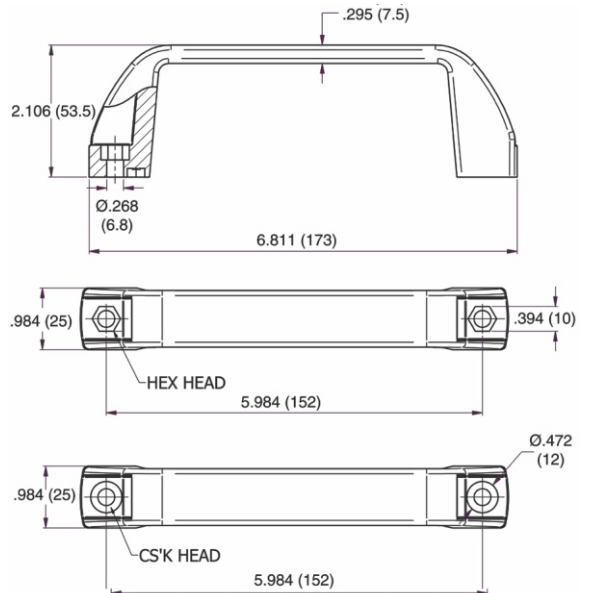
Features:

- Ideal for machinery covers
- Easy assembly by clips
- Flush design
- Contact Essentra for alternate colors or custom logo options

Item No.	Panel Thickness	Dimensions mm		Bulk Pack Qty
		L	l1	
274215	0.8 - 1.4	136.0	132.0	50

## 186 Series

### Bridge Handles



Specifications:

- Material: Nylon 6
- Color: Black

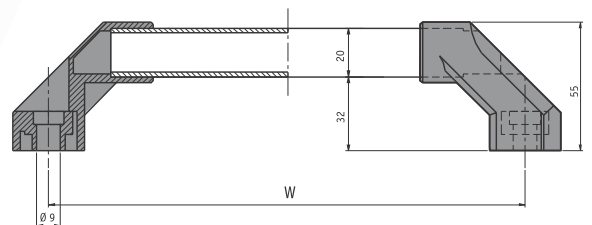
Features:

- Ideal for machinery covers

Item No.	Type	Bulk Pack Qty
1861	1	25
1862	2	25

## 087 Series

### Tubular Handles



Specifications:

- Material: Polyamide with Aluminum bar

Features:

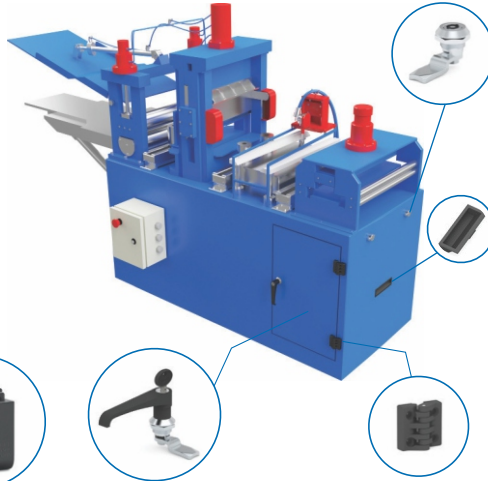
- Ideal for machinery covers

Item No.	W		Bulk Pack Qty
	in	mm	
087200	7.87	200	75

# YOUR SOLUTIONS PARTNER

## Miscellaneous Machines

### Compressors



## Industrial Machinery

Whether you're building indoor or outdoor machines, sealing, noise isolation and vibration reduction are some of your most important considerations. Essentra Components offers a wide range of solutions designed to meet your specific requirements.



## Road Transportation

We produce solutions for HGVs, utility trucks, caravans, construction machinery, and buses. Our range is specifically catered to the needs of these applications, offering paddle latches, quarter turn locks and latches, custom hinges, sealing products, and many other functional solutions.

### Construction Machinery



### RVs



### Buses



### Trucks



### Utility Trucks



## Rail Transportation

Suitable for both subway trains and high speed trains our compression latches, are certified to DIN EN 60068-2-64 [04/2011]. Many of our sealing products, trigger latches and heavy duty hinges are also UL 94 certified.

### High Speed Trains



### Subway Trains





AUTHORIZED DISTRIBUTOR



**WESTsales@**

115-1440 Aviation Park NE  
Calgary, AB  
T2E 7E2  
403-291-3516

**CENTRALsales@**

2-205 Industrial Pky N  
Aurora, ON  
L4G 4C4  
905-889-9100

**EASTsales@**

492 Avenue Lépine  
Dorval, QC  
H9P 2V6  
514-556-3064

**USAsales@**

2775 Broadway Ave  
Buffalo, NY  
14227  
905-889-9100

**800-560-9813**

**irwin-ind.com**

**800-263-3562**