



26



27



28



29



30



31



32-33



34



35



36-37



38



39



40



41



42



43



44-45



46-47



48



49-50



# SWINGHANDLES

24-51

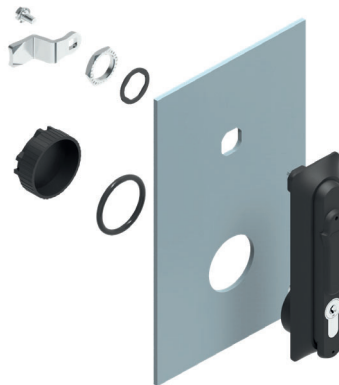
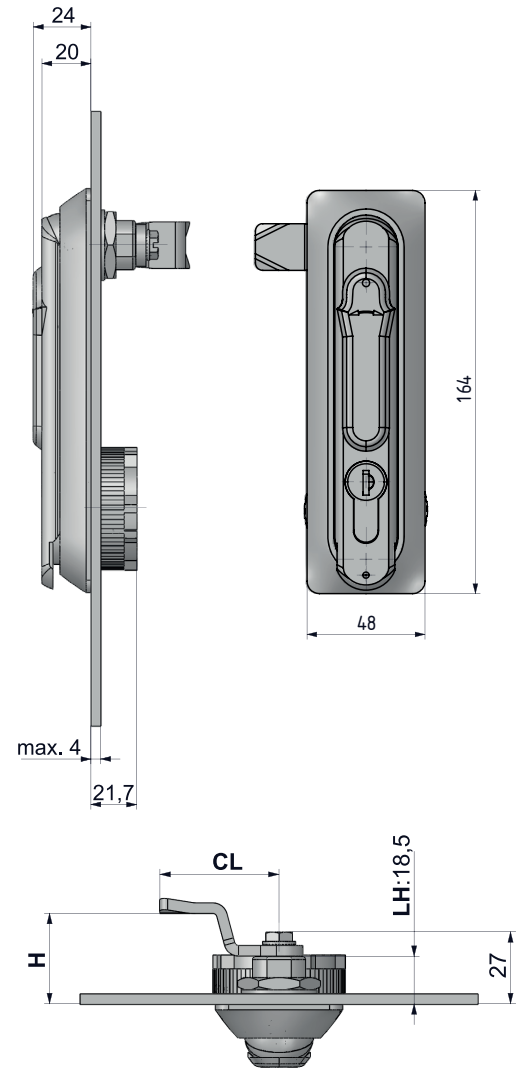
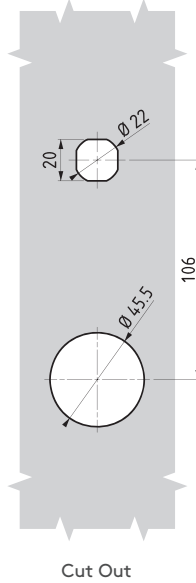


**SWINGHANDLE**

**001**



- RoHS
- IP 65
- 
- 
- 



- Small version: page 28
- For steel and polyester cabinets
- 40 mm Euro Profile single-cylinder fitted
- For 42 mm Euro Profile single-cylinder contact Essentra

**MATERIAL**

**BODY:** Polyamide DIN-EN ISO 1043-1 PA6 GFR 30  
**HANDLE:** Polyamide DIN-EN ISO 1043-1 PA6 GFR 30  
**CYLINDER:** Zamak DIN-EN 1774-ZnAl4Cu1  
**CAM:** Steel  
**SEAL:** Rubber



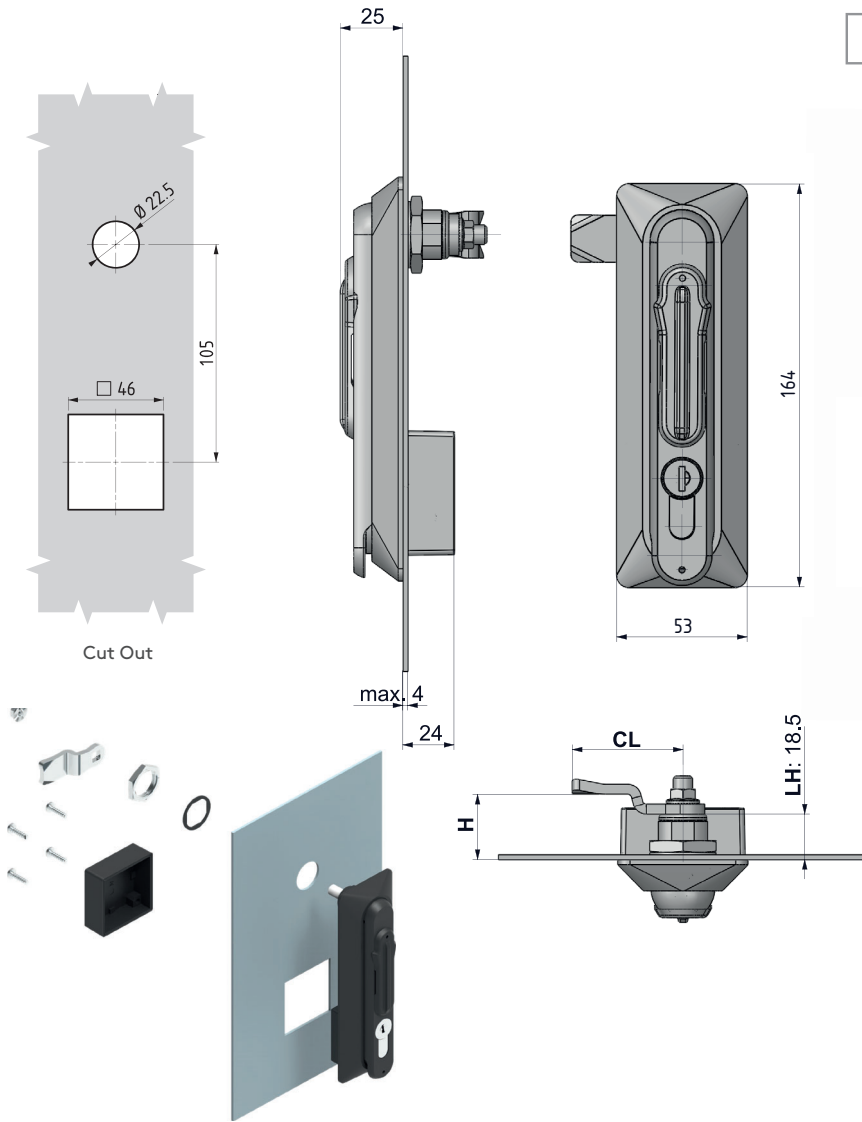
Padlock application

- For cams please check pages: 170 - 171
- For keys please check pages: 189 - 191
- For rods please check pages 178 - 188

CYLINDER TYPE		DD
	Keyed alike (Stainless steel dust cap)	03
	Keyed differ (Stainless steel dust cap)	32
	Master system	04
	Euro key (5333)	05
	CH751 (Stainless steel dust cap)	07
DRIVER TYPE		DD
	5 mm Double bit	15
	8 mm Square	28
	9 mm Triangular	39
	Eastern	91
HIGH-SECURITY CYLINDER (Zamak)		DD
	Keyed alike	22
	Keyed differ	23
NO CYLINDER		DD
	Plastic blind cylinder	24

Group Code	Driver Cylinder	Cam	Padlock*
001	DD	CC	

\*: add "1" for padlock application



201

SWINGHANDLE



- For steel and polyester cabinets
- 40 mm Euro Profile single-cylinder fitted
- For 42 mm Euro Profile single-cylinder contact Essentra

**MATERIAL**

**BODY:** Polyamide DIN-EN ISO 1043-1 PA6 GFR 30  
**HANDLE:** Polyamide DIN-EN ISO 1043-1 PA6 GFR 30  
**TOZ K.:** Zamak DIN-EN 1774-ZnAl4Cu1  
**CYLINDER:** Zamak DIN-EN 1774-ZnAl4Cu1  
**CAM:** Steel  
**SEAL:** Rubber



Padlock application

CYLINDER TYPE		DD
	Keyed alike (Stainless steel dust cap)	03
	Keyed differ (Stainless steel dust cap)	32
	Master system	04
	Euro key (5333)	05
	CH751 (Stainless steel dust cap)	07
DRIVER TYPE		DD
	5 mm Double bit	15
	8 mm Square	28
	9 mm Triangular	39
	Eastern	91
HIGH-SECURITY CYLINDER (Zamak)		DD
	Keyed alike	22
	Keyed differ	23
NO CYLINDER		DD
	Plastic blind cylinder	24

Group Code	Driver Cylinder	Cam	Padlock*
201	DD	CC	

\*: add "1" for padlock application

For cams please check pages: 170 - 171

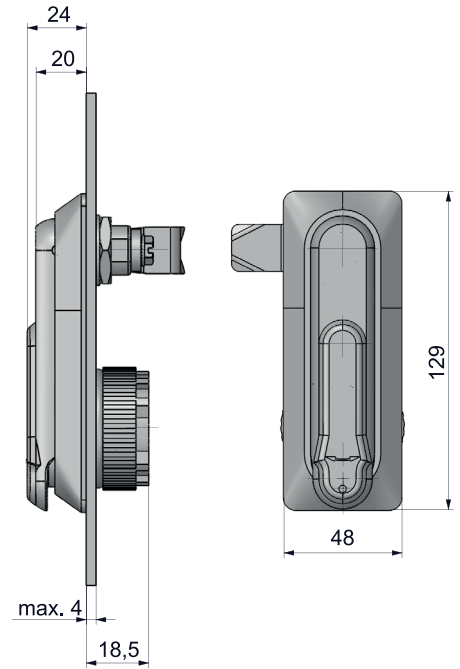
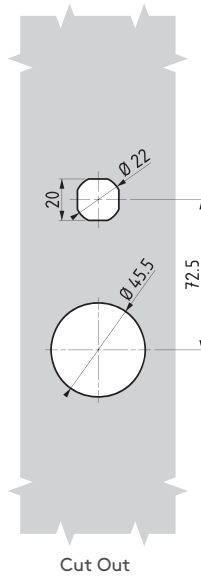
For keys please check pages: 189 - 191

For rods please check pages 178 - 188

## SWINGHANDLE

001

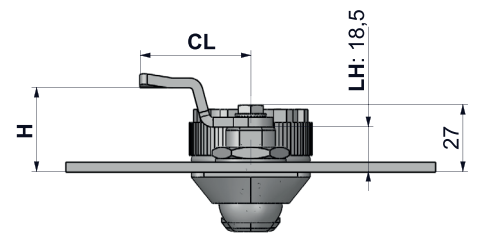
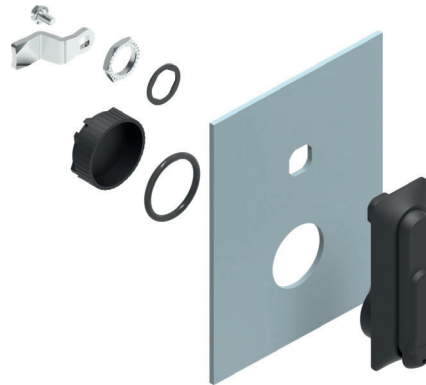
### SMALL VERSION



- Large version: page 26
- For steel and polyester cabinets
- 40 mm Euro Profile single-cylinder fitted

### MATERIAL

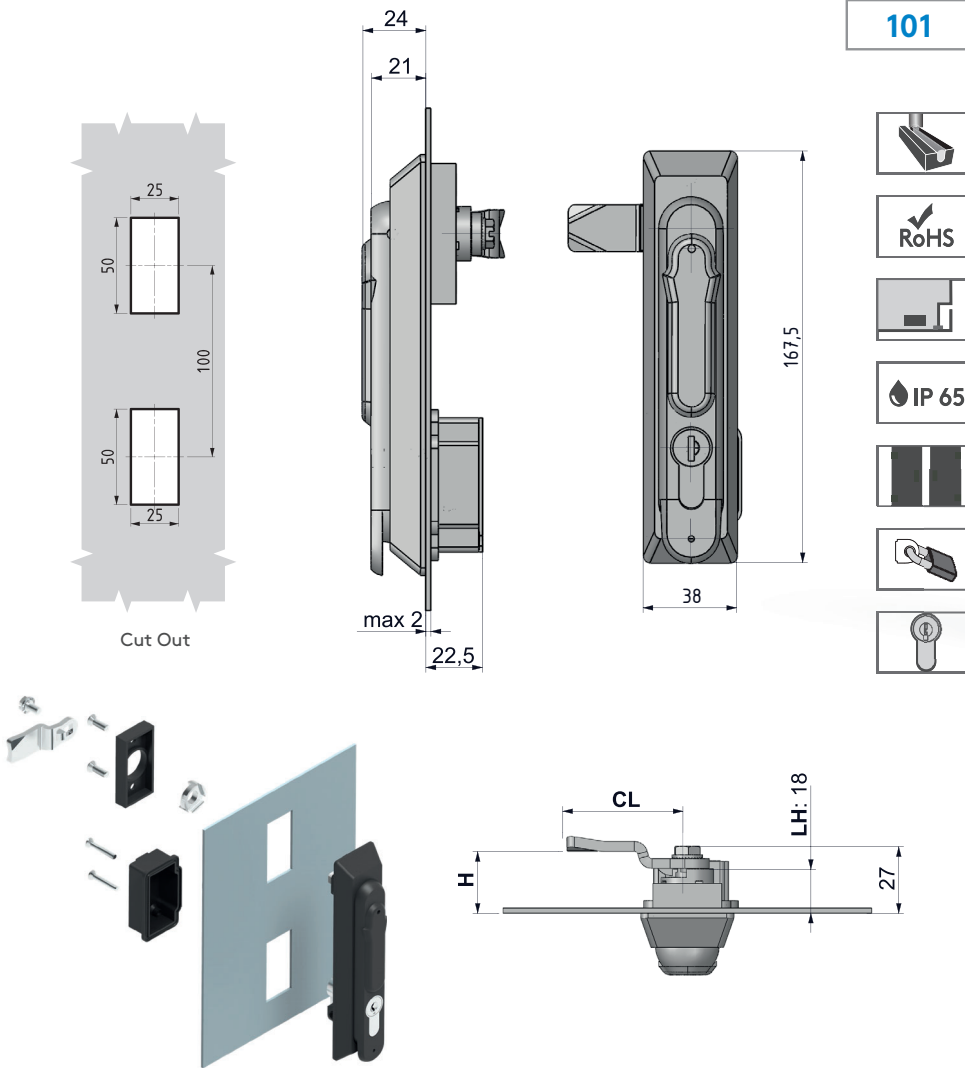
**BODY:** Polyamide DIN-EN ISO 1043-1 PA6 GFR 30  
**HANDLE:** Polyamide DIN-EN ISO 1043-1 PA6GFR 30  
**CYLINDER:** Zamak DIN-EN 1774-ZnAl4Cu1  
**CAM:** Steel  
**SEAL:** Rubber



CYLINDER TYPE		DD
	Keyed alike (Stainless steel dust cap)	03
	Keyed differ (Stainless steel dust cap)	32
	Master system	04
	Euro key (5333)	05
	CH751 (Stainless steel dust cap)	07
DRIVER TYPE		DD
	5 mm Double bit	15
	8 mm Square	28
	9 mm Triangular	39
	Eastern	91
HIGH-SECURITY CYLINDER (Zamak)		DD
	Keyed alike	22
	Keyed differ	23
NO CYLINDER		DD
	Plastic blind cylinder	24

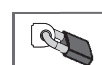
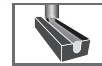
- For cams please check pages: 170 - 171
- For keys please check pages: 189 - 191
- For rods please check pages 178 - 188

Group Code	Version	Cylinder	Cam
001	2	DD	CC



101

SWINGHANDLE



- Swinghandle for steel and polyester cabinets
- 40 mm Euro Profile single-cylinder fitted
- Padlockable version available
- For 42 mm Euro Profile single-cylinder contact Essentra

**MATERIAL**

- BODY:** Polyamide DIN-EN ISO 1043-1 PA6 GFR 30
- HANDLE:** Polyamide DIN-EN ISO 1043-1 PA6GFR 30
- CYLINDER:** Zamak DIN-EN 1774-ZnAl4Cu1
- CAM:** Steel
- SEAL:** Rubber



Padlock application

CYLINDER TYPE		DD
	Keyed alike (Stainless steel dust cap)	03
	Keyed differ (Stainless steel dust cap)	32
	Master system	04
	Euro key (5333)	05
	CH751 (Stainless steel dust cap)	07
DRIVER TYPE		DD
	5 mm Double bit	15
	8 mm Square	28
	9 mm Triangular	39
	Eastern	91
HIGH-SECURITY CYLINDER (Zamak)		DD
	Keyed alike	22
	Keyed differ	23
NO CYLINDER		DD
	Plastic blind cylinder	24

Group Code	Driver Cylinder	Cam	Padlock*
101	DD	CC	

\*: add "1" for padlock application

For cams please check pages: 170 - 171

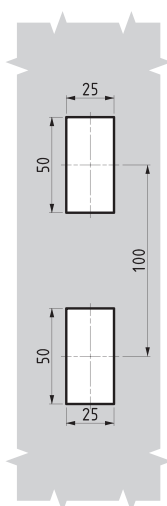
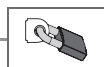
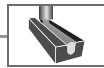
For keys please check pages: 189 - 191

For rods please check pages 178 - 188

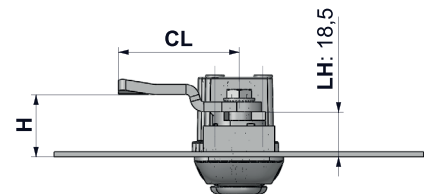
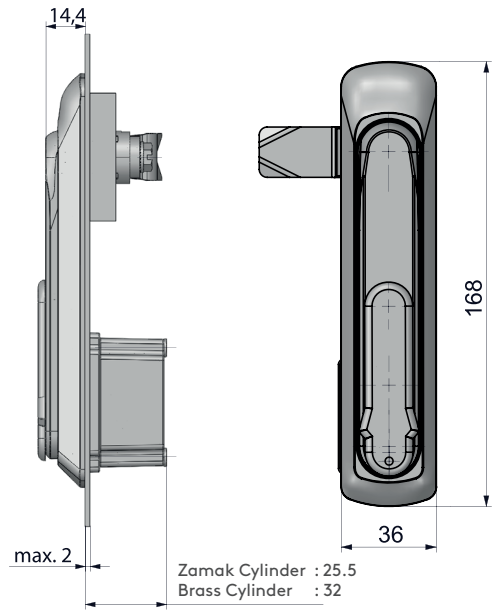
## SWINGHANDLE

501

ALL IN METAL



Cut Out



- Stainless steel version: page 445
- Die-cast construction stronger than polyamide
- Thin external profile, 14.4 mm, for flush appearance
- High-security, brass, Euro Profile single-cylinder available
- Dust cap available
- Padlockable version available
- For customised colours contact Essentra

### MATERIAL

**BODY:** Zamak DIN-EN 1774-ZnAl4Cu1  
**HANDLE:** Zamak DIN-EN 1774-ZnAl4Cu1  
**CAM:** Steel  
**SEAL:** Polyurethane  
**PADLOCK HASP:** Stainless steel

**⚠ Note:** Special espagnolette cam should be used for this application. Please check page 177.



O:1  
Dust cap application



O:2  
Padlock application



O:12  
Dust cap + Padlock application

CYLINDER TYPE		DD
	Keyed alike (Stainless steel dust cap)	03
	Keyed differ (Stainless steel dust cap)	32
	CH751 (Stainless steel dust cap)	07
DRIVER TYPE		DD
	5 mm Double bit	15
	8 mm Square	28
	9 mm Triangular	39
	Eastern	91
BRASS CYLINDER		DD
	Keyed alike	11
HIGH-SECURITY CYLINDER (Zamak)		DD
	Keyed alike	22
	Keyed differ	23

MATERIAL	M	FINISH	F
Zamak	1	Chrome plated	1
		Black coated	2

Group Code	Handle	Body	Cylinder	Cam	Option
501	1 F	1 F	DD	CC	O

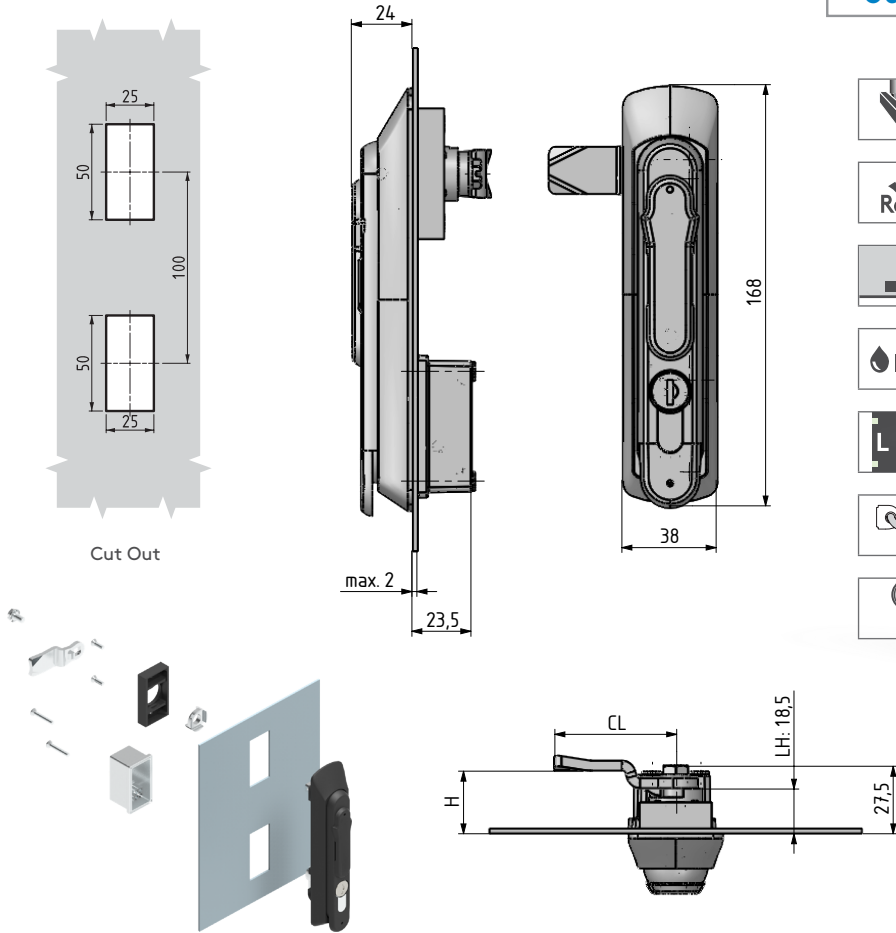
For cams please check pages: 170 - 171

For rods please check pages 178 - 188

For keys please check pages: 189 - 191



## 601 SWINGHANDLE



- Euro Profile
- RoHS
- IP 65
- L/R
- Key
- Padlock



- All metal construction
- Swinghandle for steel and polyester cabinets
- 40 mm Euro Profile single -cylinder fitted
- Improved corrosion resistance
- High-security, brass, Euro Profile single-cylinder available

CYLINDER TYPE		DD
	Keyed alike (Stainless steel dust cap)	03
	Keyed differ (Stainless steel dust cap)	32
	CH751 (Stainless steel dust cap)	07
DRIVER TYPE		DD
	5 mm Double bit	15
	8 mm Square	28
	9 mm Triangular	39
	Eastern	91
BRASS CYLINDER		DD
	Keyed alike	11
HIGH-SECURITY CYLINDER (Zamak)		DD
	Keyed alike	22
	Keyed differ	23

### MATERIAL

BODY:	Zamak DIN-EN 1774-ZnAl4Cu1
HANDLE:	Zamak DIN-EN 1774-ZnAl4Cu1
COVER:	Zamak DIN-EN 1774-ZnAl4Cu1
SEAL:	Polyurethane



Padlock application

MATERIAL	M	FINISH	F
Zamak	1	Chrome plated	1
		Black coated	2

Group Code	Handle	Body	Cylinder	Cam	Padlock*
601	1	F	1	F	DD CC

\*: add "1" for padlock application

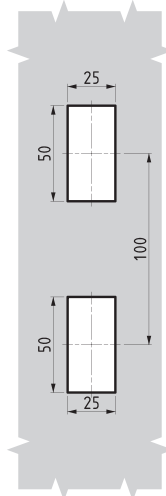
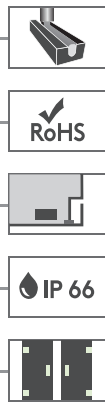
- For cams please check pages: 170 - 171
- For rods please check pages 178 - 188
- For keys please check pages: 189 - 191



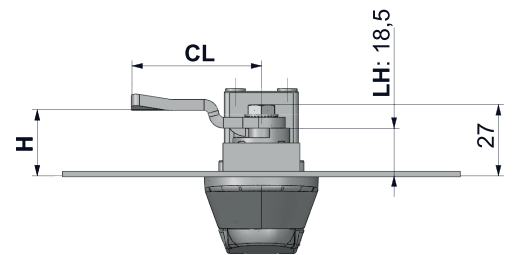
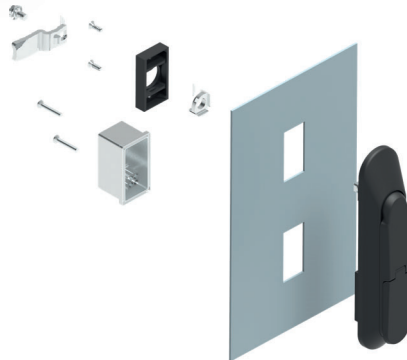
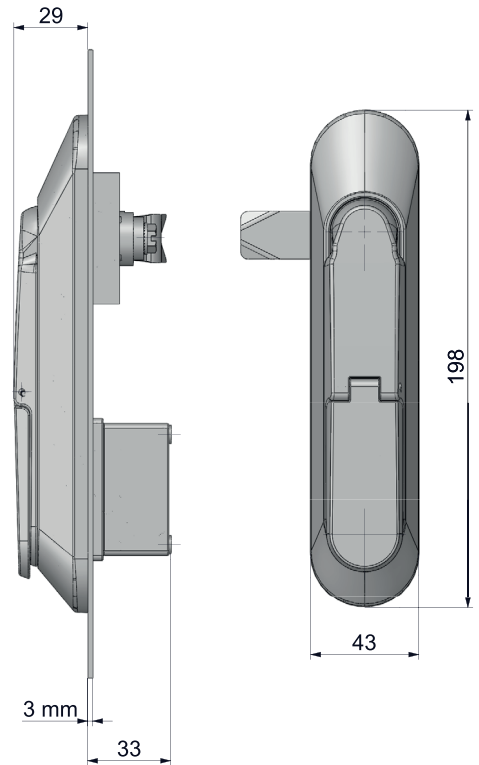
**SWINGHANDLE**

**408**

ALL IN METAL



Cut Out



- All metal construction
- Special geometry protects against vandalism
- Complies with DIN EN 1627: 2011-09 RC2 test
- Double o-ring handle improves IP rating
- High-security cylinder alternative available
- Improved IP rating with moving dust cap

**MATERIAL**

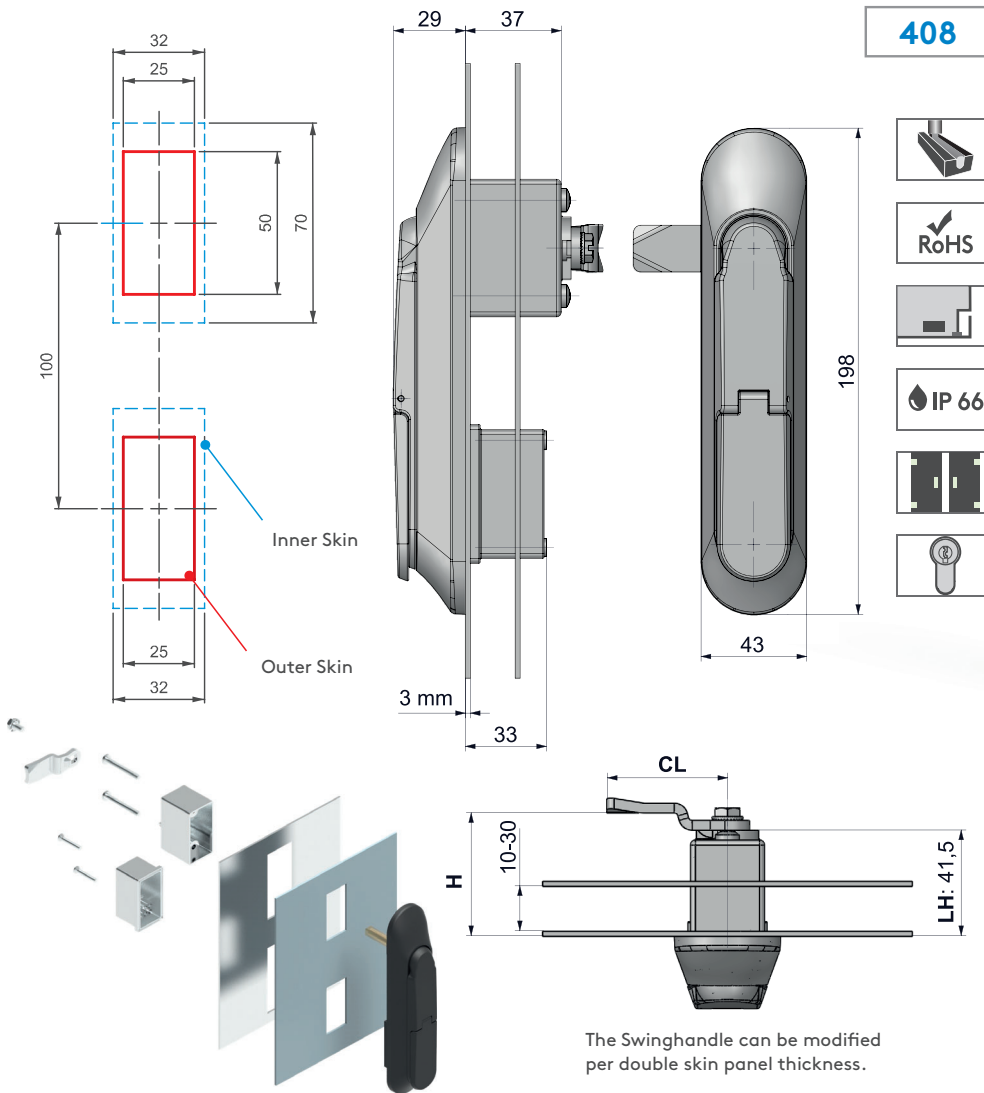
**BODY:** Zamak DIN-EN 1774-ZnAl4Cu1  
**HANDLE:** Zamak DIN-EN 1774-ZnAl4Cu1  
**CAM:** Steel  
**SEAL:** Polyurethane  
**COVER:** Zamak DIN-EN 1774-ZnAl4Cu1

- For cams please check pages: 170 - 171
- For rods please check pages 178 - 188
- For keys please check pages: 189 - 191

CYLINDER TYPE		DD
	Keyed alike (Stainless steel dust cap)	03
	Keyed differ (Stainless steel dust cap)	32
	Master system	04
	Euro key (5333)	05
	CH751 (Stainless steel dust cap)	07
DRIVER TYPE		DD
	5 mm Double bit	15
	8 mm Square	28
	9 mm Triangular	39
	Eastern	91
	HIGH-SECURITY CYLINDER (Zamak)	
	Keyed alike	22
	Keyed differ	23

MATERIAL	M	FINISH	F
Zamak	1	Black coated	2

Group Code	Version	Handle	Body	Cylinder	Cam
408	1	1	2	1	2



**408**

**SWINGHANDLE**




**ALL IN METAL**



- All metal construction
- Special geometry for protection against vandalism
- Complies with DIN EN 1627: 2011-09 RC2 test
- Double o-ring handle improves IP rating
- High-security cylinder alternative
- Improves IP rating with moving dust cap




**MATERIAL**

**BODY:** Zamak DIN-EN 1774-ZnAl4Cu1  
**HANDLE:** Zamak DIN-EN 1774-ZnAl4Cu1  
**CAM:** Steel  
**SEAL:** Polyurethane  
**COVER:** Zamak DIN-EN 1774-ZnAl4Cu1

CYLINDER TYPE		DD
	Keyed alike (Stainless steel dust cap)	03
	Keyed differ (Stainless steel dust cap)	32
	Master system	04
	Euro key (5333)	05
	CH751 (Stainless steel dust cap)	07
DRIVER TYPE		DD
	5 mm Double bit	15
	8 mm Square	28
	9 mm Triangular	39
	Eastern	91
HIGH-SECURITY CYLINDER (Zamak)		DD
	Keyed alike	22
	Keyed differ	23

MATERIAL	M	FINISH	F
Zamak	1	Black coated	2

Group Code	Version	Handle	Body	Cylinder	Cam
408	3	1 2	1 2	DD	CC

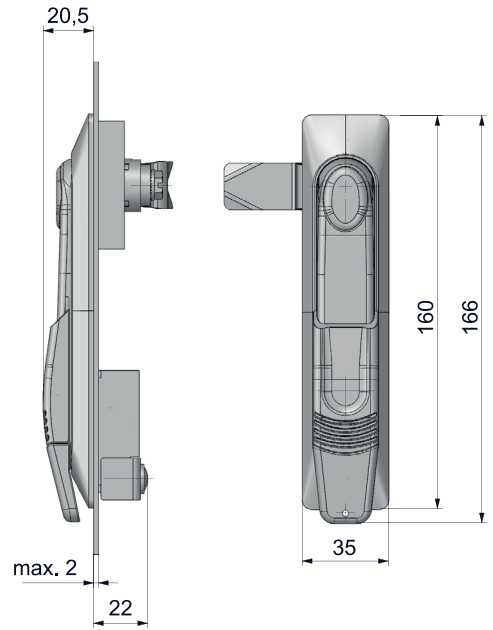
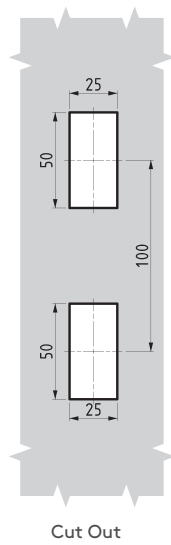
-  For cams please check pages: 170 - 171
-  For rods please check pages 178 - 188
-  For keys please check pages: 189 - 191

**SWINGHANDLE**

**306**



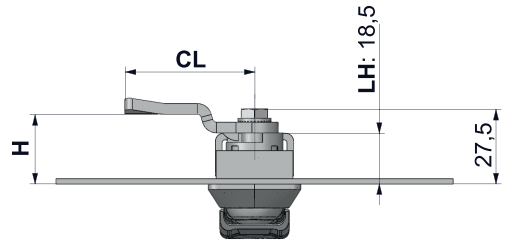
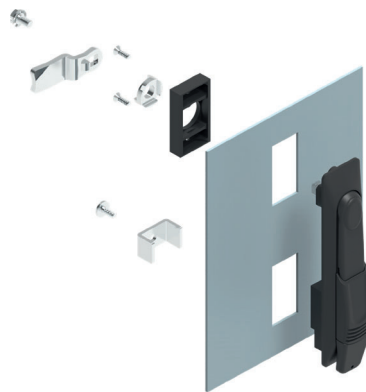
- RoHS
- IP 65
- 



- Sliding dust cover
- Ergonomic handle
- Padlockable version available.

**MATERIAL**

**BODY:** Polyamide DIN-EN ISO 1043-1 PA6 GFR 30  
**HANDLE:** PA6 GFR 30 or Zamak  
**CAM:** Steel - PA6 GFR 30  
**SEAL:** Polyurethane



**Padlock application**

Special sliding cover is available for padlockable version

CYLINDER TYPE		DD
	Keyed alike (Stainless steel dust cap)	03
	Keyed differ (Stainless steel dust cap)	32
	Euro key (5333)	05
	CH751 (Stainless steel dust cap)	07
DRIVER TYPE		DD
	5 mm Double bit	15
	8 mm Square	28
	9 mm Triangular	39

MATERIAL	M	FINISH	F
Zamak	1	Chrome plated	1
		Black coated	2
Plastic	2	No finish	0

Group Code	Handle	Body	Driver Cylinder	Cam	Padlock*
306	M	F	2	0	DD CC

\*: add "1" for padlock application

- For cams please check pages: 170 - 171
- For rods please check pages 178 - 188
- For keys please check pages: 189 - 191



206

SWINGHANDLE



- Sliding dust cover
- Ergonomic handle
- Padlockable version available
- 40 mm Euro Profile cylinder fitted

**MATERIAL**

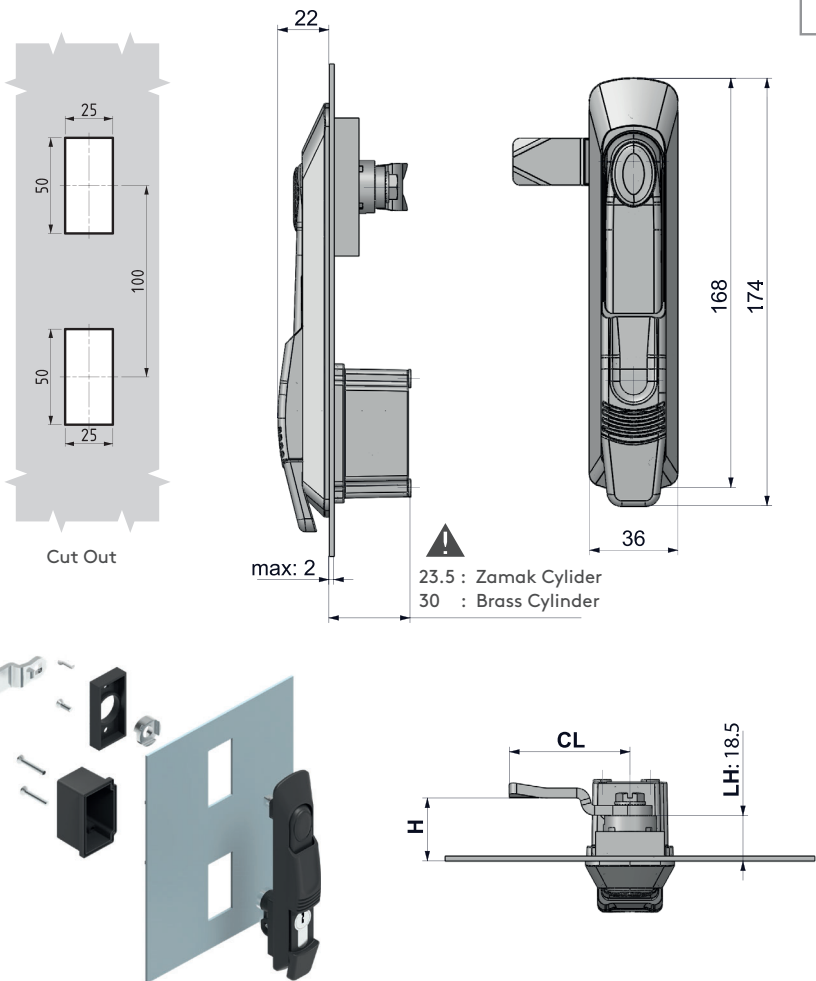
**BODY:** Polyamide DIN-EN ISO 1043-1 PA6 GFR 30  
**HANDLE:** Polyamide DIN-EN ISO 1043-1 PA6 GFR 30  
**CAM:** Steel  
**SEAL:** Polyurethane



Padlock application

Special sliding cover is available for padlockable version

- For cams please check pages: 170 - 171
- For rods please check pages 178 - 188
- For keys please check pages: 189 - 191



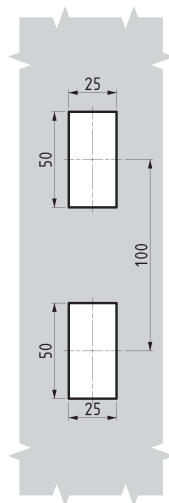
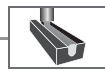
CYLINDER TYPE		DD
	Keyed alike (Stainless steel dust cap)	03
	Keyed differ (Stainless steel dust cap)	32
	Master system	04
	Euro key (5333)	05
	CH751 (Stainless steel dust cap)	07
DRIVER TYPE		DD
	5 mm Double bit	15
	8 mm Square	28
	9 mm Triangular	39
	Eastern	91
BRASS CYLINDER		DD
	Keyed alike	11
NO CYLINDER		DD
	Plastic blind cylinder	24

Group Code	Handle	Body	Cylinder	Cam	Padlock*
206	2	0	2 0	DD	CC

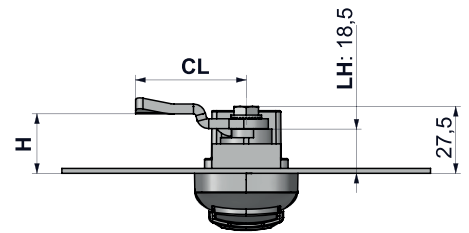
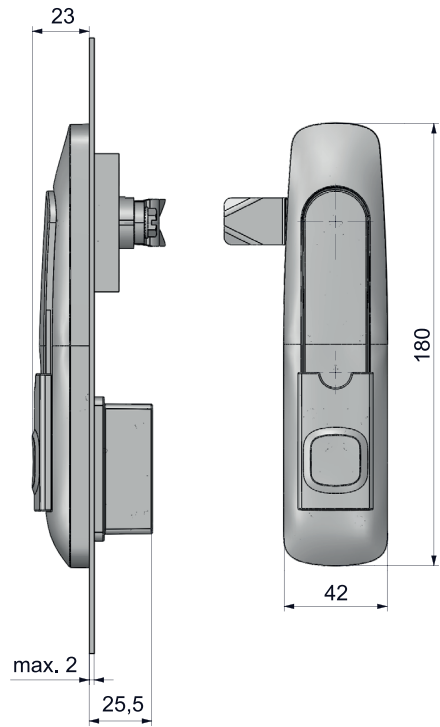
\*: add "1" for padlock application

## MODULAR SYSTEM SWINGHANDLE

406



Cut Out






- Swing handle has a modular lock structure allows easy modification for customer requests
- Lock and modules could be ordered separately
- Single point locking and gearbox option is possible on same lock by an adaptor
- Padlock is optional
- Easy fixing option by plastic clips

### MATERIAL

BODY PA6 GFR 30  
HANDLE Zamak DIN-EN 1774-ZnAl4Cu1  
CAM: Steel  
MODULE Zamak  
SEAL: Polyurethane



Padlock application


CYLINDER TYPE		DD	Order code
	Stainless steel dust cap (Keyed alike)	03	MDL03
	Stainless steel dust cap (Keyed differ)	32	MDL32
	Euro key (5333)	05	MDL05
	CH751 (Stainless steel dust cap)	07	MDL07
DRIVER TYPE		DD	Order code
	5 mm Double bit	15	MDL15
	8 mm Square	28	MDL28
	9 mm Triangular	39	MDL39
	Button	55	MDL55
BRASS CYLINDER		DD	Order code
	Keyed alike	11	MDL11

MATERIAL	M	FINISH	F
Zamak	1	Chrome plated	1
		Black coated	2
Plastic	2	No finish	0

Group Code	Handle	Body	Module	Cam	Assembly	Padlock*
406	1	F	2	0	DD	CC
						A

\*: add "1" for padlock application

 For cams please check pages: 170 - 171

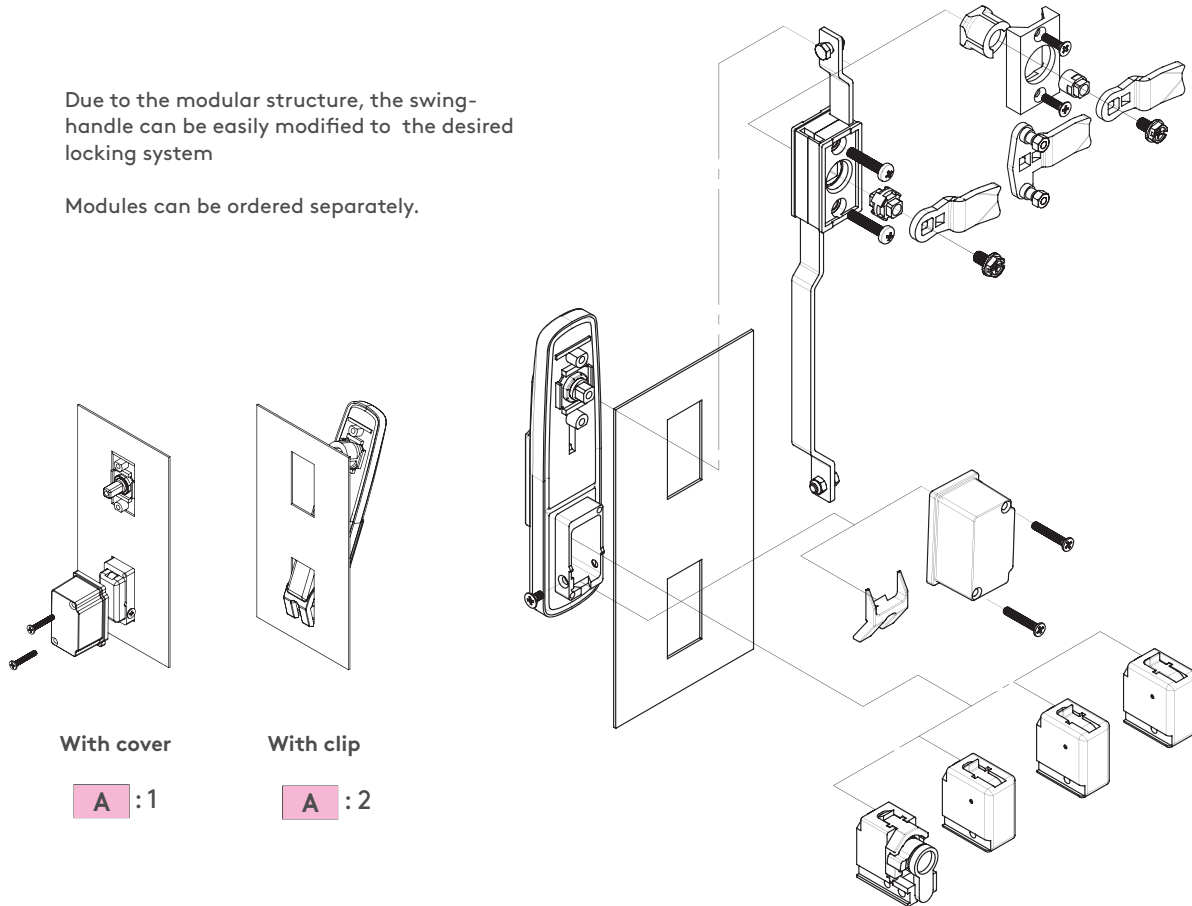
 For rods please check pages 178 - 188

 For keys please check pages: 189 - 191



Due to the modular structure, the swing-handle can be easily modified to the desired locking system

Modules can be ordered separately.



With cover

A :1

With clip

A :2

The set items can be ordered separately with their codes in below



MLS01

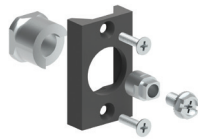
- 1-SET:
- Body
  - Handle
  - Dust cap
  - Shaft



MLS02

- 1-SET:
- Plastic Mechanism
  - Screws
  - Cam Adapter

For multi point locking



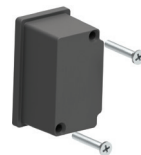
MLS03

For single point locking



MDLXX

- MODULES
- MDLXX



MLS05

- 1-SET:
- Plastic Fixed Part
  - Screws

With this set the handle meet IP 65 specs.



320.02.246

- 1-PCS
- Clip-in part

With this clip-in part mounting time reduces by %50

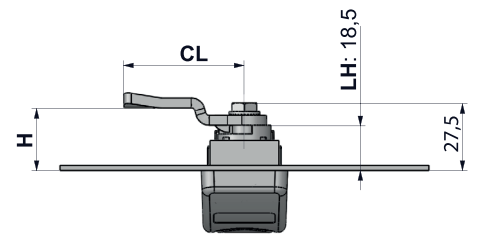
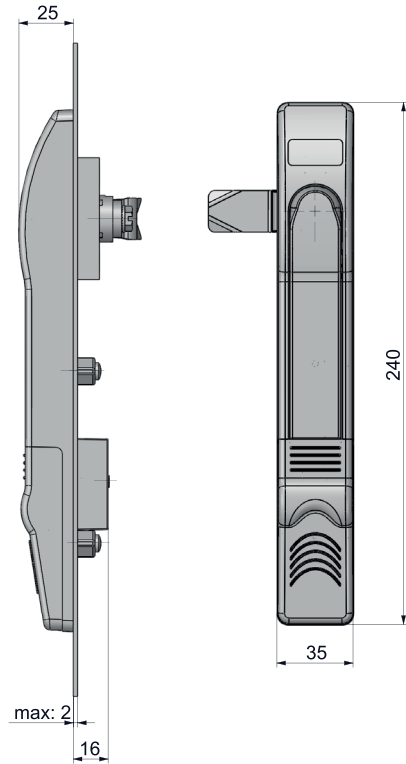
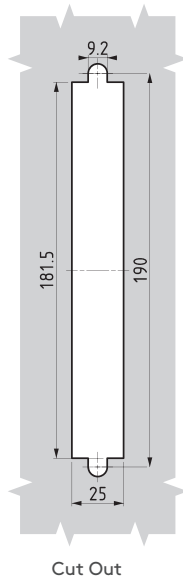
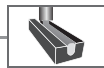


CAMS

Please check the cams page 172-173

**SWINGHANDLE**

**106**



- More suitable for indoor applications
- Spring-loaded, slam-action swinghandle
- Sliding dust cover
- Suited for outside gasketing application

**MATERIAL**

**BODY:** Polyamide DIN-EN ISO 1043-1 PA6 GFR 30  
**HANDLE:** Zamak DIN-EN 1774-ZnAl4Cu1  
**CAM:** Steel  
**SEAL:** Polyurethane

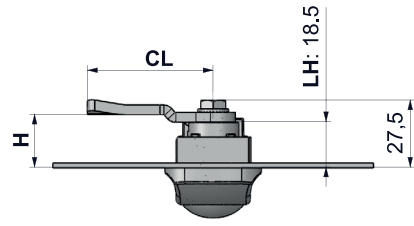
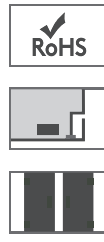
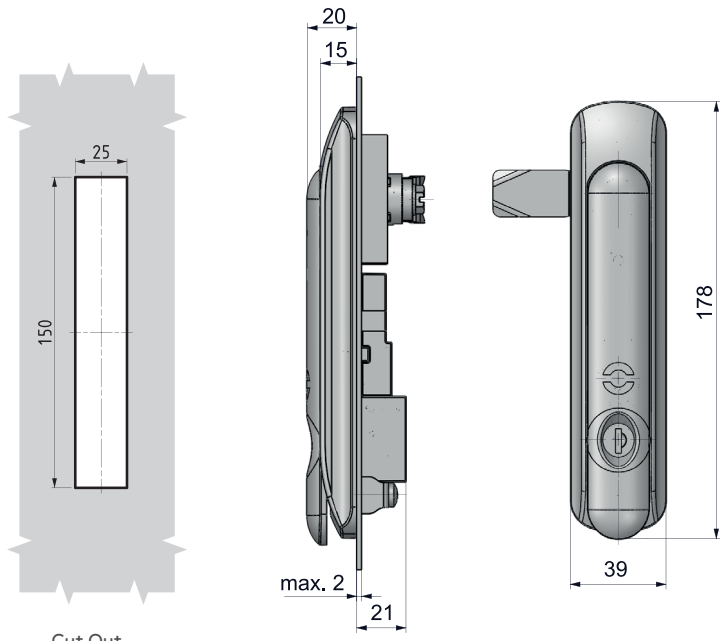
CYLINDER TYPE		DD
	Keyed alike (Stainless steel dust cap)	03
	Keyed differ (Stainless steel dust cap)	32
	Euro key (5333)	05
	CH751 (Stainless steel dust cap)	07
DRIVER TYPE		DD
	5 mm Double bit	15
	8 mm Square	28
	9 mm Triangular	39
	Button	55

MATERIAL	M	FINISH	F
Zamak	1	Chrome plated	1
		Black coated	2
Plastic	2	No finish	0


- For cams please check pages: 170 - 171
- For rods please check pages 178 - 188
- For keys please check pages: 189 - 191

Group Code	Handle	Body	Driver Cylinder	Cam
<b>106</b>	<b>1</b>	<b>F</b>	<b>2</b>	<b>0</b>
			<b>DD</b>	<b>CC</b>



**808** SWINGHANDLE



**MATERIAL**  
 BODY: Polyamide DIN-EN ISO 1043-1 PA6 GFR 30  
 HANDLE: Polyamide DIN-EN ISO 1043-1 PA6 GFR 30  
 CAM: Steel - PA6 GFR 30  
 SEAL: Polyurethane

	CYLINDER TYPE		DD
	Keyed alike (Stainless steel dust cap)		03
	Keyed differ (Stainless steel dust cap)		32
	Master system		04
	Euro key (5333)		05
	CH751 (Stainless steel dust cap)		07

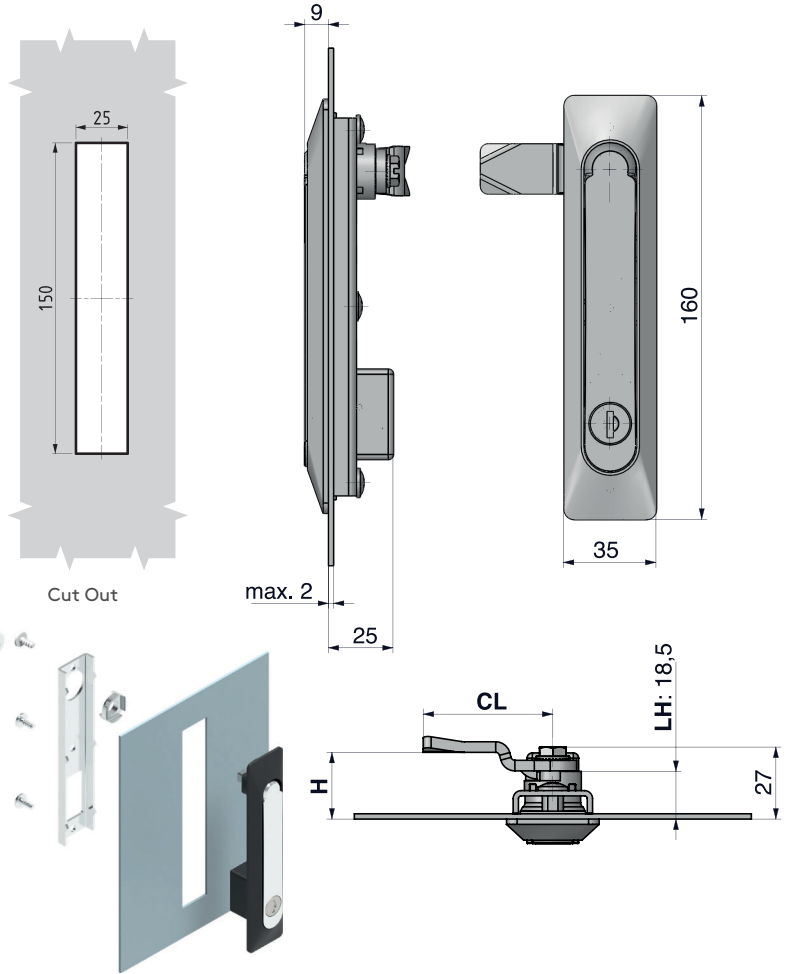
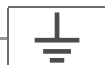
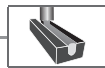
Group Code	Handle	Body	Cylinder	Cam
<b>808</b>	2 0	2 0	DD	CC

 For cams please check pages: 170 - 171  
 For rods please check pages 178 - 188



**SWINGHANDLE**

**008**



- Cut out 25 mm x 150 mm
- Steel fixing bracket for improved stability and grounding
- Ultra-low external profile, 8 mm, for flush appearance
- Spring-loaded, slam-action swinghandle

**MATERIAL**

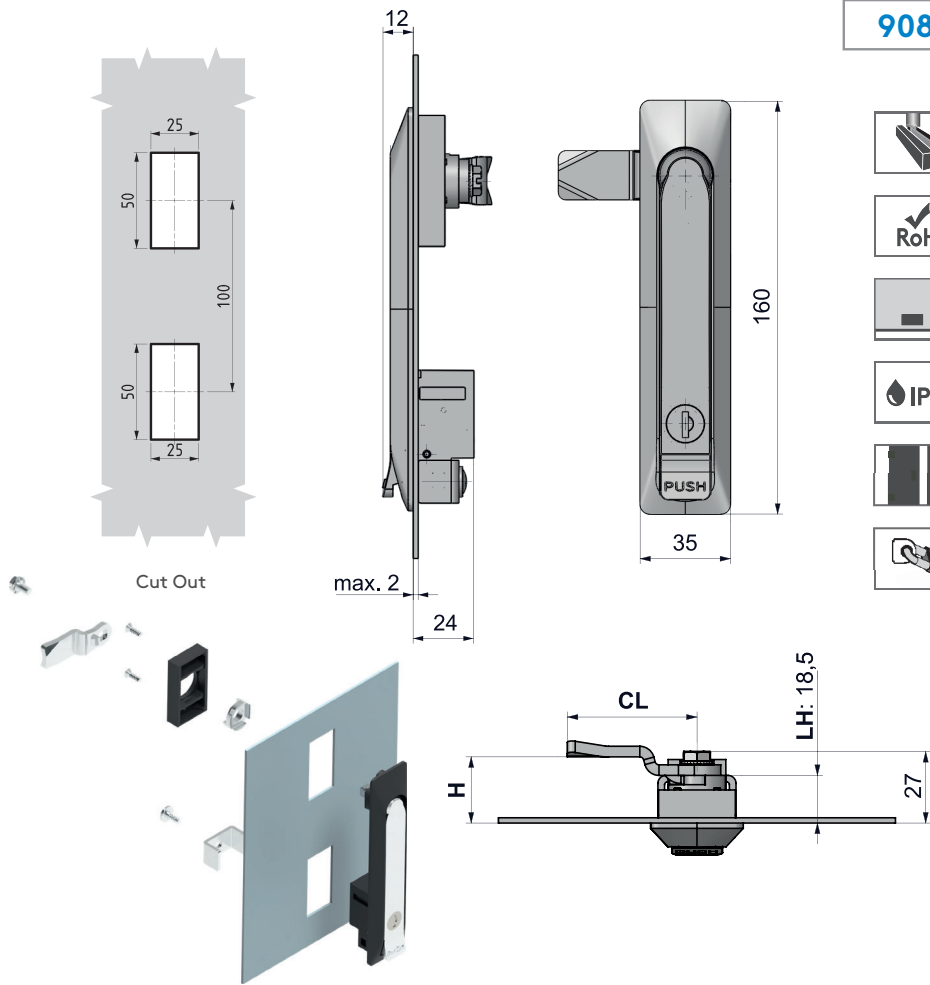
**BODY:** Polyamide DIN-EN ISO 1043-1 PA6 GFR 30  
**HANDLE:** Zamak DIN-EN 1774-ZnAl4Cu1  
**CAM:** Steel or PA6 GFR 30  
**SEAL:** Polyurethane

CYLINDER TYPE		DD
	Keyed alike (Stainless steel dust cap)	03
	Keyed differ (Stainless steel dust cap)	32
	Master system	04
	Euro key (5333)	05
	CH751 (Stainless steel dust cap)	07
DRIVER TYPE		DD
	5 mm Double bit	15
	8 mm Square	28
	9 mm Triangular	39
HIGH-SECURITY CYLINDER		DD
	Keyed alike	20
	Keyed differ	21

MATERIAL	M	FINISH	F
Zamak	1	Chrome plated	1
		Black coated	2
Plastic	2	No finish	0

- For cams please check pages: 170 - 171
- For rods please check pages 178 - 188
- For keys please check pages: 189 - 191

Group Code	Handle	Body	Driver Cylinder	Cam
<b>008</b>	<b>F</b>	<b>2</b>	<b>DD</b>	<b>CC</b>



908

SWINGHANDLE



- Swinghandle with push button
- Standard cut out
- Ultra low external profile, just 9 mm, to give flush appearance

**MATERIAL**

- BODY** : Zamak DIN-EN 1774-ZnAl4Cu1 or PA6 GFR 30
- HANDLE** : Zamak DIN-EN 1774-ZnAl4Cu1
- CAM** : Steel or PA6 GFR30
- SEAL** : Polyurethane



Padlock application

CYLINDER TYPE		DD
	No Cylinder	00
	Keyed alike (Stainless steel dust cap)	03
	Keyed differ (Stainless steel dust cap)	32
	Master system	04
	Euro key (5333)	05
	CH751 (Stainless steel dust cap)	07
DRIVER TYPE		DD
	5 mm Double bit	15
	8 mm Square	28
	9 mm Triangular	39

MATERIAL	M	FINISH	F
Zamak	1	Chrome plated	1
		Black coated	2
Plastic	2	No finish	0

Group Code	Handle	Body	Driver Cylinder	Cam	Padlock*
908	1	F	M	F	DD CC

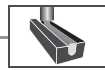




\*: add "1" for padlock application

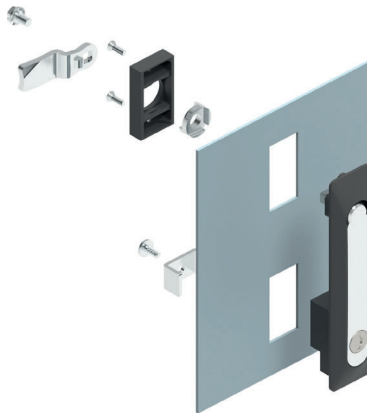
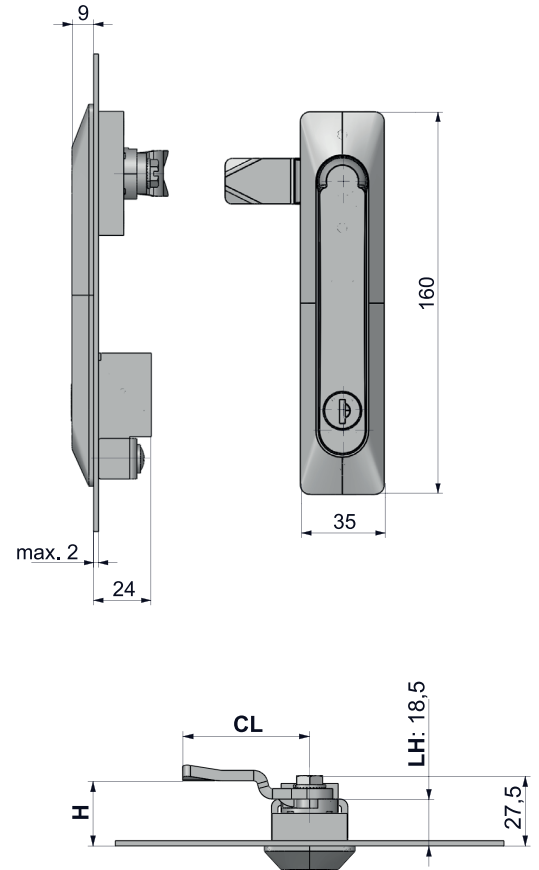
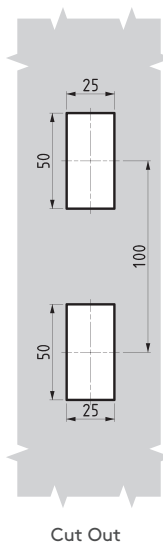
- For cams please check pages: 170 - 171
- For rods please check pages 178 - 188
- For keys please check pages: 189 - 191

**SWINGHANDLE**

**108**






- 
- 
- 
- 
- 



- Stronger and better looking than polyamide
- Spring-loaded, slam-action swim handle
- For customised colours contact Essentra




**MATERIAL**

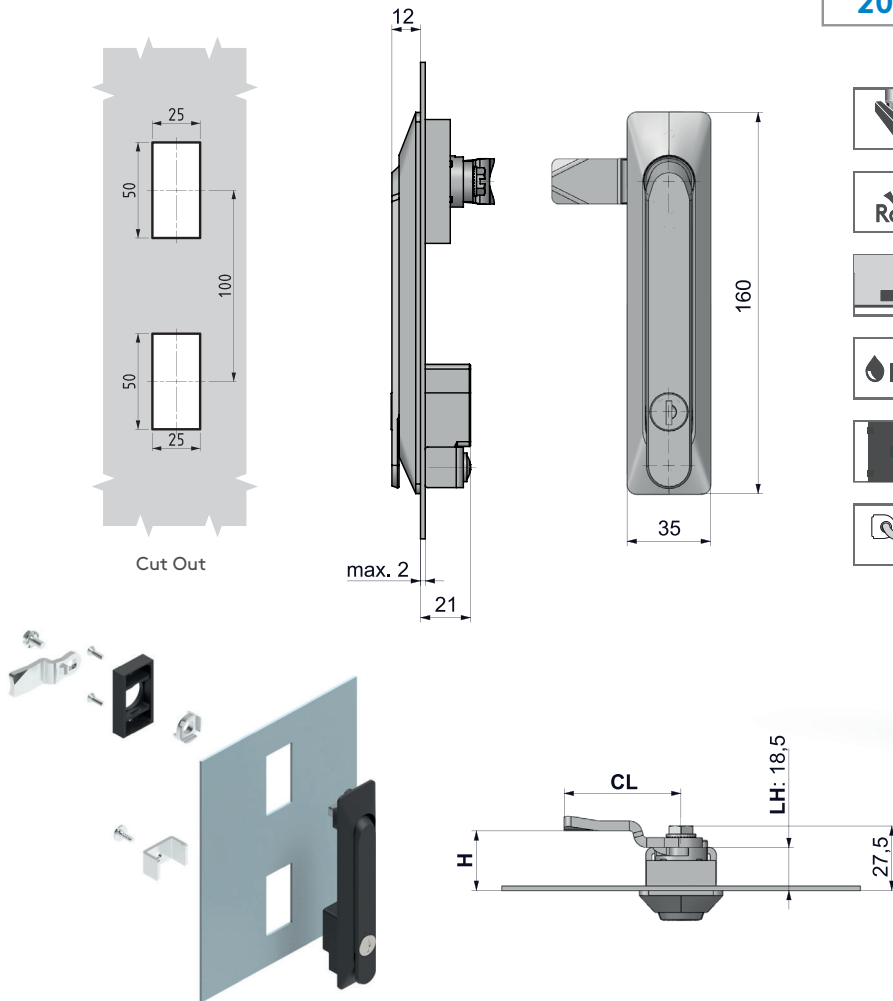
**BODY:** Zamak DIN-EN 1774-ZnAl4Cu1 or PA6 GFR 30  
**HANDLE:** Zamak DIN-EN 1774-ZnAl4Cu1  
**CAM:** Steel or PA6 GFR 30  
**SEAL:** Polyurethane

CYLINDER TYPE		DD
	Keyed alike (Stainless steel dust cap)	03
	Keyed differ (Stainless steel dust cap)	32
	Master system	04
	Euro key (5333)	05
	CH751 (Stainless steel dust cap)	07
DRIVER TYPE		DD
	5 mm Double bit	15
	8 mm Square	28
	9 mm Triangular	39
HIGH-SECURITY CYLINDER		DD
	Keyed alike	20
	Keyed differ	21

MATERIAL	M	FINISH	F
Zamak	1	Chrome plated	1
		Black coated	2
Plastic	2	No finish	0

Group Code	Handle	Body	Driver Cylinder	Cam
<b>108</b>	<b>1</b>	<b>F</b>	<b>M</b>	<b>F</b>
			<b>DD</b>	<b>CC</b>

-  For cams please check pages: 170 - 171
-  For rods please check pages 178 - 188
-  For keys please check pages: 189 - 191



208

SWINGHANDLE



- Handle is not spring loaded and slam action
- Key can be removed at unlocked position.

**MATERIAL**

**BODY:** Zamak DIN-EN 1774-ZnAl4Cu1 or PA6 GFR 30

**HANDLE:** Zamak DIN-EN 1774-ZnAl4Cu1 or PA6 GFR 30

**CAM:** Steel or PA6 GFR 30  
**SEAL:** Polyurethane



Padlock application  
(All in metal only is applied)

No Cylinder

CYLINDER TYPE		DD
	No Cylinder	00
	Keyed alike (Stainless steel dust cap)	03
	Keyed differ (Stainless steel dust cap)	32
	Master system	04
	Euro key (5333)	05
	CH751 (Stainless steel dust cap)	07
DRIVER TYPE		DD
	5 mm Double bit	15
	8 mm Square	28
	9 mm Triangular	39

MATERIAL	M	FINISH	F
Zamak	1	Chrome plated	1
		Black coated	2
Plastic	2	No finish	0

Group Code	Handle	Body	Driver Cylinder	Cam	Padlock*
208	M	F	M	F	DD
					CC

\*: add "1" for padlock application

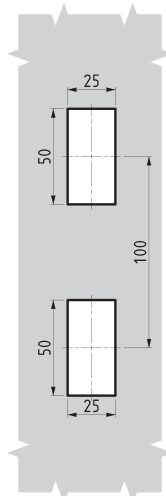
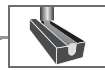
For cams please check pages: 170 - 171

For rods please check pages 178 - 188

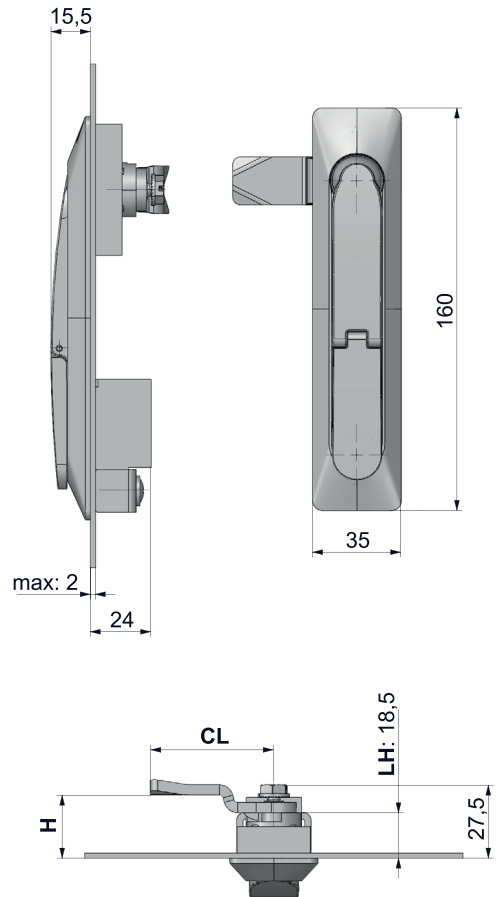
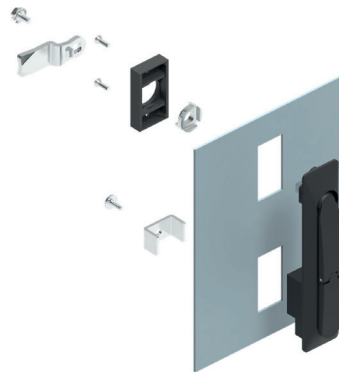
**SWINGHANDLE**

**108**

ALL IN METAL



Cut Out



- All metal construction
- Improved corrosion resistance.
- High-security cylinder alternative
- Improved IP resistance with moving dust cap

**MATERIAL**

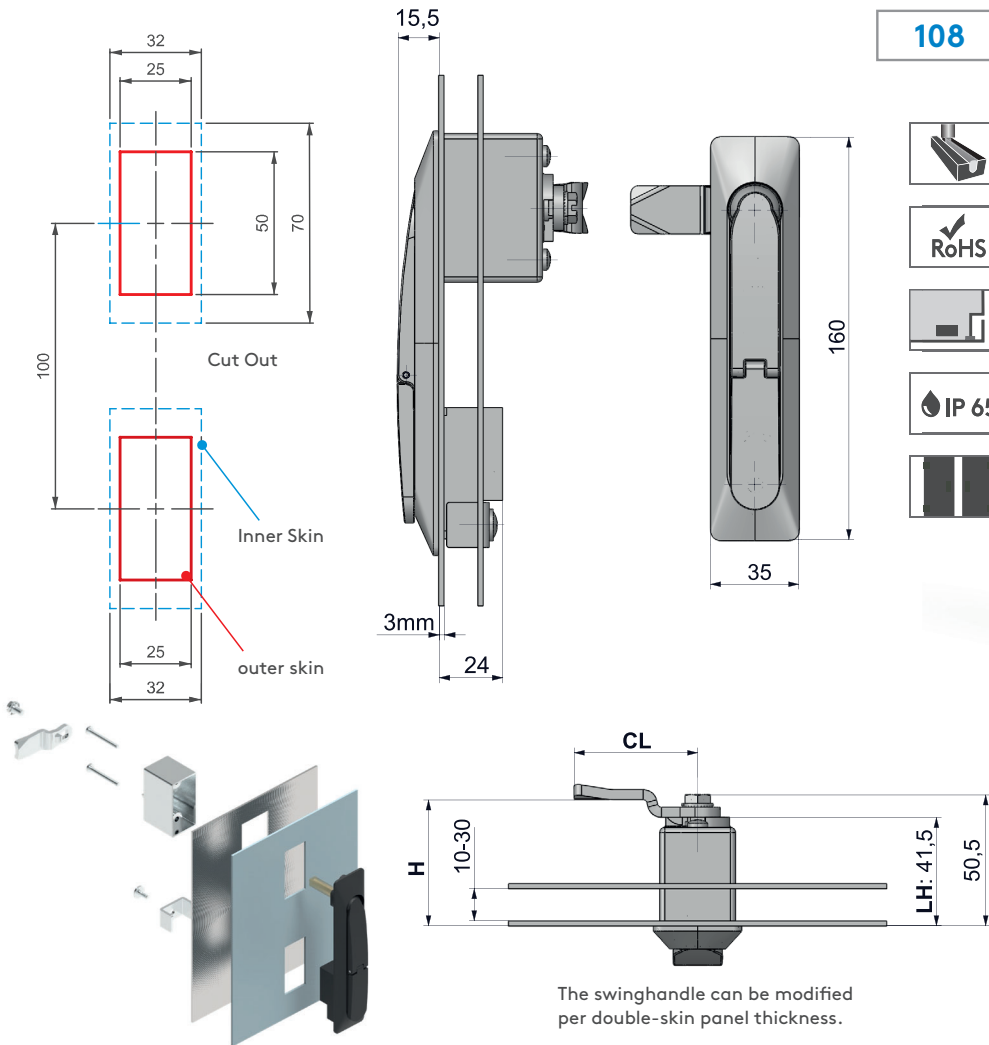
**BODY:** Zamak DIN-EN 1774-ZnAl4Cu1  
**HANDLE:** Zamak DIN-EN 1774-ZnAl4Cu1  
**CAM:** Steel or PA6 GFR 30  
**SEAL:** Polyurethane

CYLINDER TYPE		DD
	Keyed alike (Stainless steel dust cap)	03
	Keyed differ (Stainless steel dust cap)	32
	Master system	04
	Euro key (5333)	05
	CH751 (Stainless steel dust cap)	07
DRIVER TYPE		DD
	5 mm Double bit	15
	8 mm Square	28
	9 mm Triangular	39
HIGH-SECURITY CYLINDER		DD
	Keyed alike	20
	Keyed differ	21

MATERIAL	M	FINISH	F
Zamak	1	Chrome plated	1
		Black coated	2

Group Code	Version	Handle	Body	Cylinder	Cam
108	2	1	F	1	F

- For cams please check pages: 170 - 171
- For rods please check pages 178 - 188
- For keys please check pages: 189 - 191



108

## SWINGHANDLE




ALL IN METAL



- Ideal for double-skin doors and outdoor cabinets
- Improved strength to protect against vandalism
- High-security cylinder with special shaped key prevents unauthorized duplication
- Improved IP resistance with moving dust cap
- Spring-loaded, slam-action swinghandle




### MATERIAL

**BODY:** Zamak DIN-EN 1774-ZnAl4Cu1  
**HANDLE:** Zamak DIN-EN 1774-ZnAl4Cu1  
**CAM:** Steel or PA6 GFR 30  
**SEAL:** Polyurethane

CYLINDER TYPE		DD
	Keyed alike (Stainless steel dust cap)	03
	Keyed differ (Stainless steel dust cap)	32
	Master system	04
	Euro key (5333)	05
	CH751 (Stainless steel dust cap)	07
DRIVER TYPE		DD
	5 mm Double bit	15
	8 mm Square	28
	9 mm Triangular	39
HIGH-SECURITY CYLINDER		DD
	Keyed alike	20
	Keyed differ	21

MATERIAL	M	FINISH	F
Zamak	1	Chrome plated	1
		Black coated	2

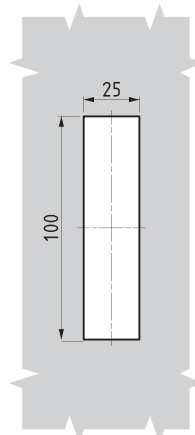
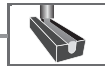
Group Code	Version	Handle	Body	Cylinder	Cam
108	3	1 F	1 F	DD	CC

-  For cams please check pages: 170 - 171
-  For rods please check pages 178 - 188
-  For keys please check pages: 189 - 191

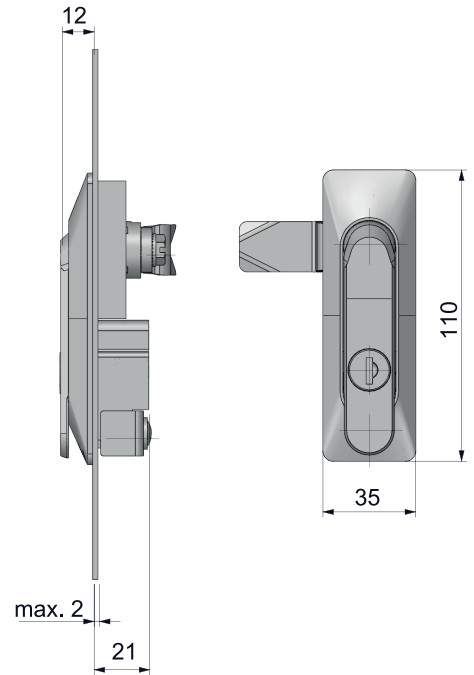
**SWINGHANDLE**

**308**

SMALL VERSION



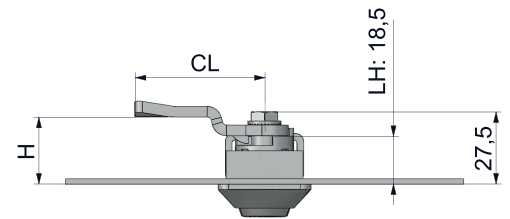
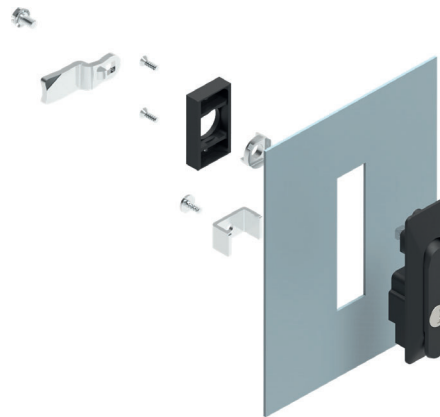
Cut Out



- For indoor applications
- 25 mm x 100 mm cut out

**MATERIAL**

**BODY:** Polyamide DIN-EN ISO 1043-1 PA6 GFR 30  
**HANDLE:** Zamak DIN-EN 1774-ZnAl4Cu1 or PA6 GFR 30  
**CAM:** Steel  
**SEAL:** Polyurethane



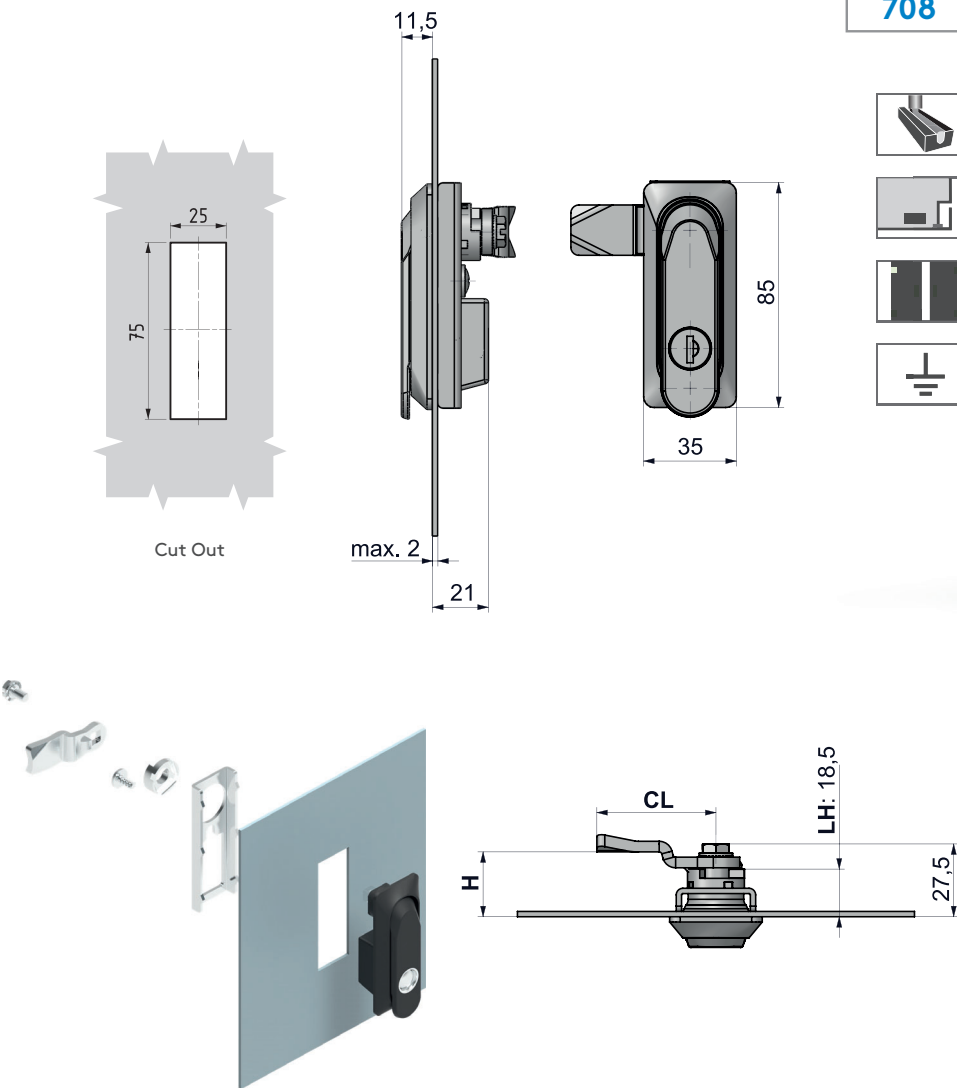
No Cylinder

CYLINDER TYPE		DD
	No Cylinder	00
	Keyed alike (Stainless steel dust cap)	03
	Keyed differ (Stainless steel dust cap)	32
	Master system	04
	Euro key (5333)	05
	CH751 (Stainless steel dust cap)	07

MATERIAL	M	FINISH	F
Zamak	1	Chrome plated	1
		Black coated	2
Plastic	2	No finish	0

Group Code	Handle	Body	Driver Cylinder	Cam
308	M	F	2	0
			DD	CC

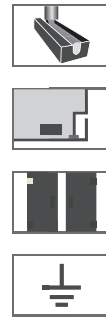
For cams please check pages: 170 - 171



**708**

**SWINGHANDLE**


SMALL VERSION



- Can be used for internal applications
- 25 X 75 mm cut out
- Lock can be opened by pressing the button

**MATERIAL**

**BODY:** Polyamide DIN-EN ISO 1043-1 PA6 GFR 30  
**HANDLE:** Polyamide DIN-EN ISO 1043-1 PA6 GFR 30  
**CYLINDER:** Zamak DIN-EN 1774-ZnAl4Cu1  
**BUTTON:** Zamak DIN-EN 1774-ZnAl4Cu1  
**CAM:** Steel  
**SEAL:** Polyurethane

CYLINDER TYPE		DD
	Keyed alike (Stainless steel dust cap)	03
	Keyed differ (Stainless steel dust cap)	32
	Master system	04
	Euro key (5333)	05
	CH751 (Stainless steel dust cap)	07
	Button	55

MATERIAL	M	FINISH	F
Zamak	1	Chrome plated	1
		Black coated	2
Plastic	2	No finish	0

Group Code	Handle	Body	Cylinder	Cam
708	2	0	2	DD CC

Group Code	Handle	Button	Cam
708	2	0 1	F CC

Button type code system

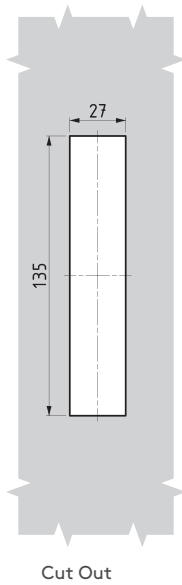
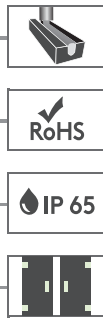
 For cams please check pages: 170 - 171



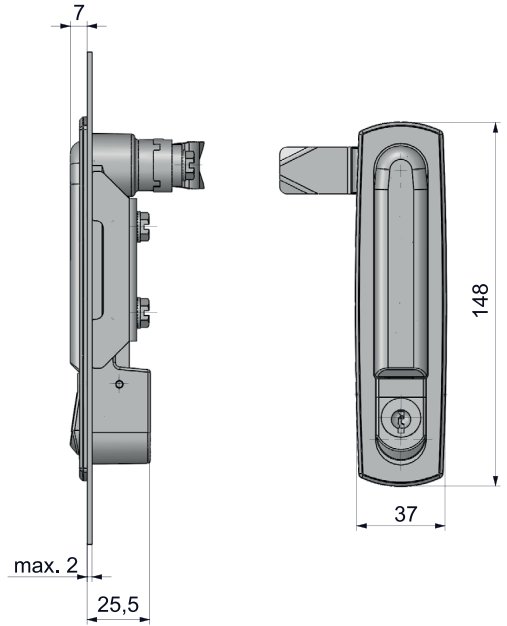
**SWINGHANDLE**

**508**

ALL IN METAL



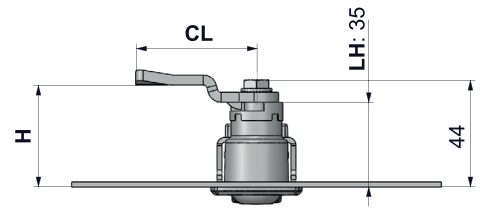
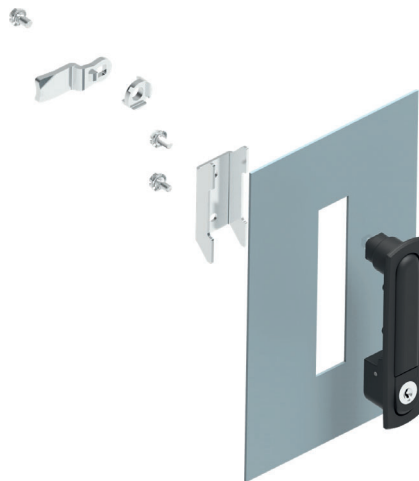
Cut Out




- Swinghande with push button
- Can assemble with one fixing bracket
- Offers an economical solution

**MATERIAL**

**BODY:** Zamak DIN-EN 1774-ZnAl4Cu1  
**HANDLE:** Zamak DIN-EN 1774-ZnAl4Cu1  
**CAM:** Steel or PA6 GFR30  
**SEAL:** Polyurethane



No Cylinder

CYLINDER TYPE		DD
	No Cylinder	00
	Keyed alike	01
	Keyed differ	02

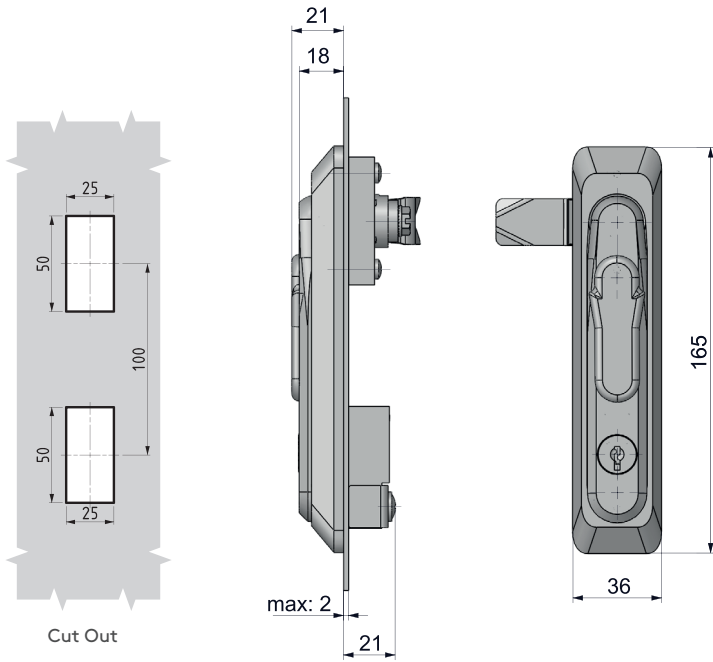
MATERIAL	M	FINISH	F
Zamak	1	Chrome plated	1
		Black coated	2

Group Code	Handle	Body	Driver Cylinder	Cam
<b>508</b>	1	F	1	F
			DD	CC

 For cams please check pages: 170 - 171

006

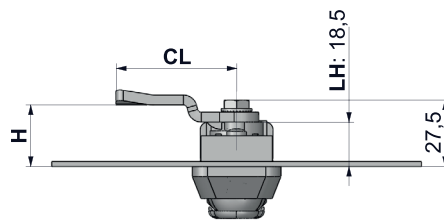
SWINGHANDLE





- Lower strength swinghandle that accepts: cylindrical drivers only
- Spring-loaded, slam-action swinghandle
- For indoor and outdoor application




**MATERIAL**

**BODY:** Polyamide DIN-EN ISO 1043-1 PA6 GFR 30  
**HANDLE:** Polyamide DIN-EN ISO 1043-1 PA6 GFR 30  
**CAM:** Steel or PA6 GFR 30  
**SEAL:** Polyurethane



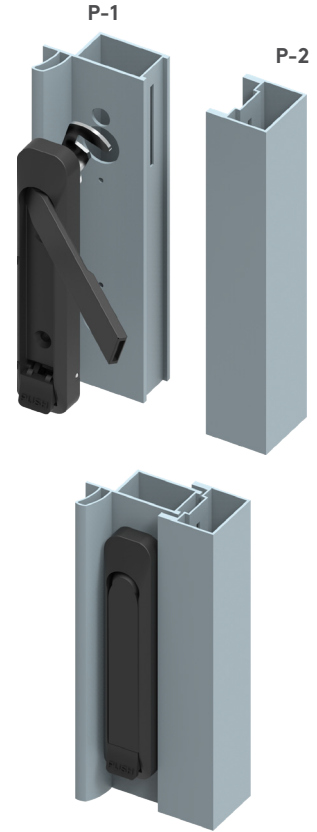
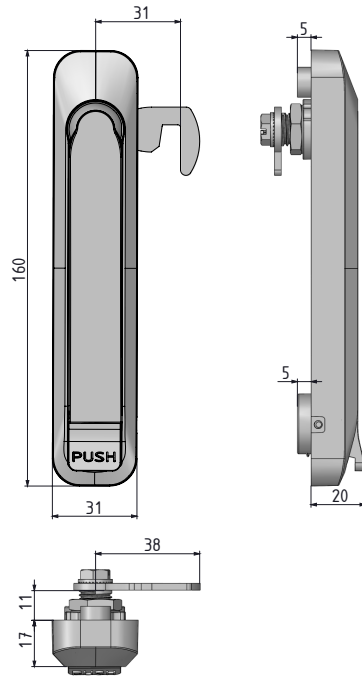
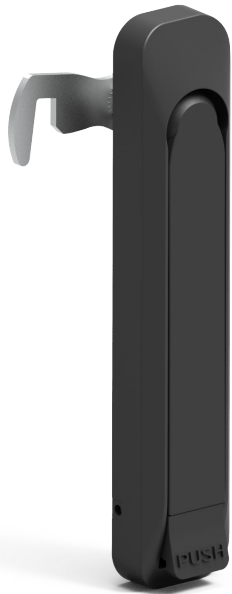
CYLINDER TYPE		DD
	Keyed alike (Stainless steel dust cap)	03
	Keyed differ (Stainless steel dust cap)	32
	Master system	04
	Euro key (5333)	05
	CH751 (Stainless steel dust cap)	07
DRIVER TYPE		DD
	5 mm Double bit	15
	8 mm Square	28
	9 mm Triangular	39

Group Code	Driver Cylinder	Cam
006	DD	CC

-  For cams please check pages: 170 - 171
-  For rods please check pages 178 - 188
-  For keys please check pages: 189 - 191

SWINGHANDLE

205

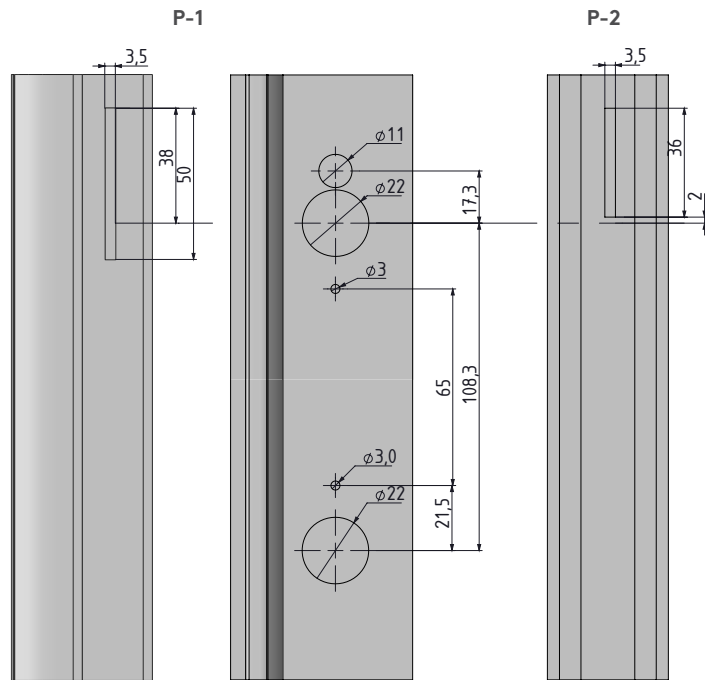


MATERIAL

BODY: Polyamide DIN-EN ISO 1043-1 PA6 GFR 30

HANDLE: Zamak DIN-EN 1774-ZnAl4Cu1

CAM: Steel



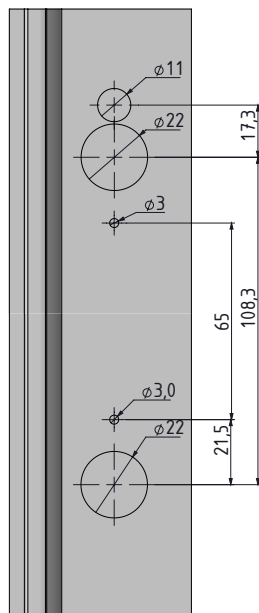
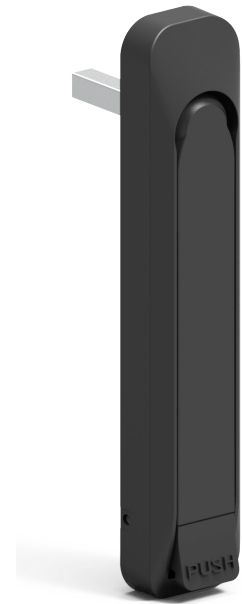
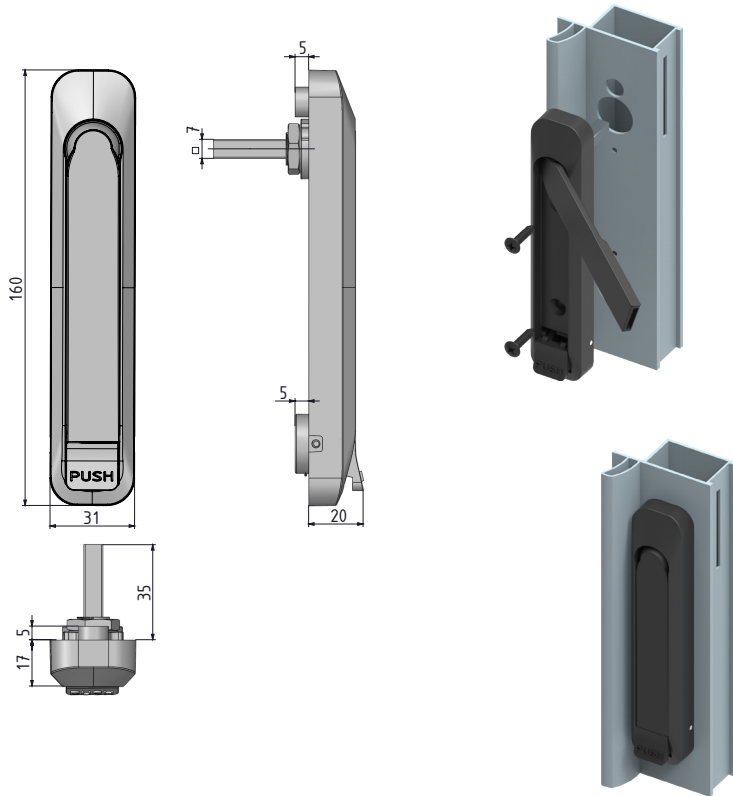
MATERIAL	M	FINISH	F
Zamak	1	Chrome plated	1
		Black coated	2

Group Code	Version	Body	Handle
205	1	2 0	1 F



205

SWINGHANDLE



**MATERIAL**

BODY: Polyamide DIN-EN ISO 1043-1 PA6 GFR 30  
 HANDLE: Zamak DIN-EN 1774-ZnAl4Cu1  
 CAM: Steel

MATERIAL	M	FINISH	F
Zamak	1	Chrome plated	1
		Black coated	2

Group Code	Version	Body	Handle
205	2	2 0	1 F



54



56-57



58



59-60



61



62



63



64-65



66-67



68-69



70



71



72-73



74



75



76



77



78



79



80



81



82



83



84-85



86



# ROD-LATCH SYSTEM

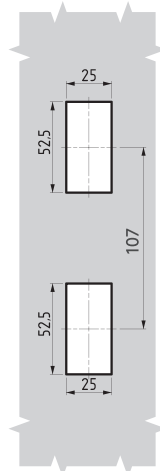
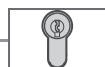
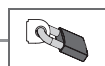
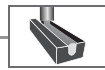
52-87



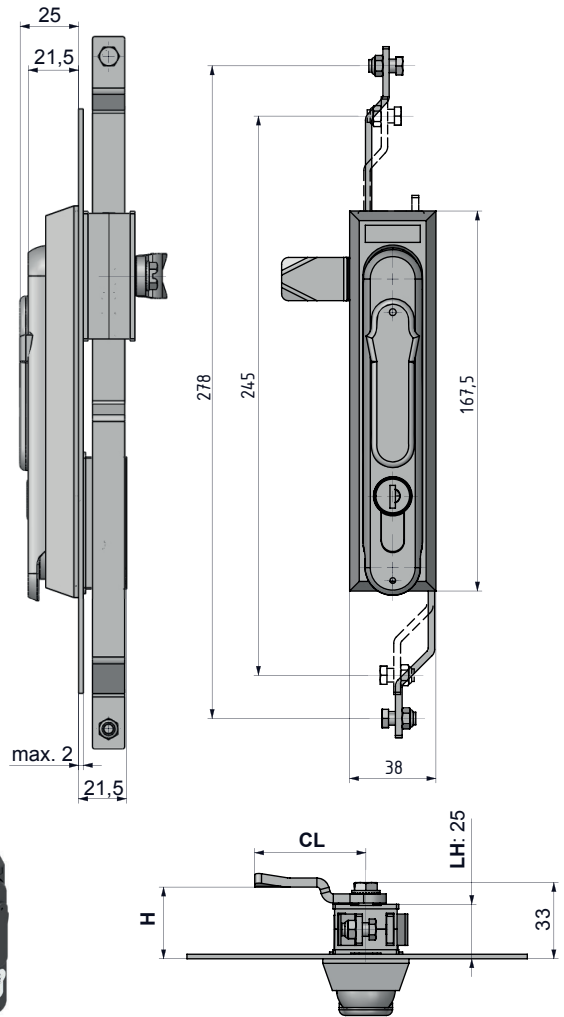
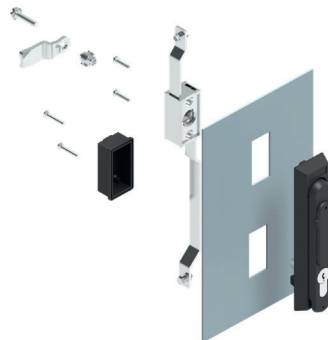
# ROD-LATCH SYSTEM

## SWINGHANDLE GEAR BOX

002



Cut Out



- Swinghandle for steel and polyester cabinets
- 40 mm Euro Profile single cylinder fitted
- Padlockable version available
- For 42 mm Euro Profile single cylinder contact Essentra

### MATERIAL

BODY Polyamide DIN-EN ISO

1043-1 PA6 GFR 30

HANDLE Polyamide DIN-EN ISO

1043-1 PA6 GFR 30

MECHANISM: Zamak DIN-EN

1774-ZnAl4Cu1

CAM: Steel

GASKET: Polyurethane

CYLINDER TYPE		DD
	Keyed alike (Stainless steel dust cap)	03
	Keyed differ (Stainless steel dust cap)	32
	Master system	04
	Euro key (5333)	05
	CH751 (Stainless steel dust cap)	07
DRIVER TYPE		DD
	5 mm Double bit	15
	8 mm Square	28
	9 mm Triangular	39
	Eastern	91
HIGH-SECURITY CYLINDER (Zamak)		DD
	Keyed alike	22
	Keyed differ	23
NO CYLINDER		DD
	Plastic blind cylinder	24

 For cams please check pages: 170 - 171

 For rods please check pages: 178 - 188

 For keys please check pages: 189 - 191

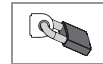
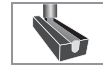
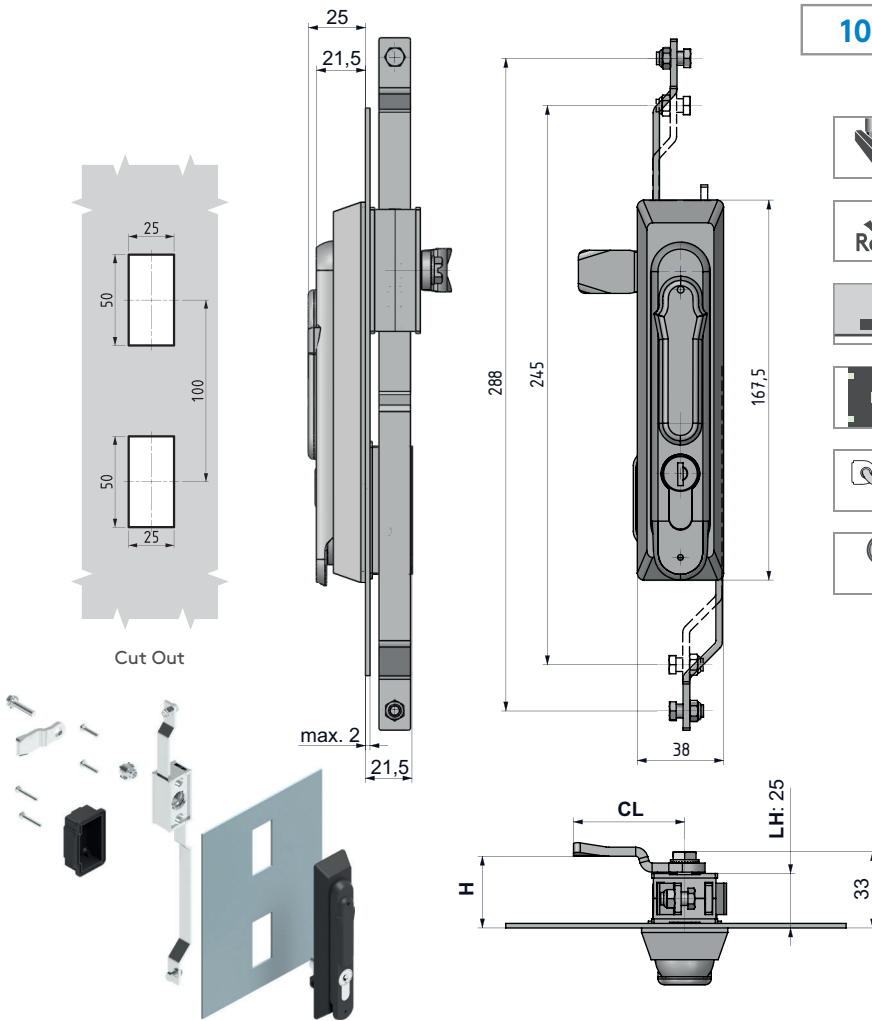
Group Code	Driver Cylinder	Cam	Padlock*
002	DD	CC	

\*: add "1" for padlock application



102

SWINGHANDLE GEAR BOX



- Swinghandle for steel and polyester cabinets
- 40 mm Euro Profile single cylinder fitted
- For 42 mm Euro Profile single cylinder contact Essentra
- Padlockable version available

### MATERIAL

BODY	Polyamide DIN-EN ISO 1043-1 PA6 GFR 30
HANDLE:	Polyamide DIN-EN ISO 1043-1 PA6 GFR 30
MECHANISM:	Zamak DIN-EN 1774-ZnAl4Cu1
CAM:	Steel
GASKET:	Polyurethane

CYLINDER TYPE		DD
	Keyed alike (Stainless steel dust cap)	03
	Keyed differ (Stainless steel dust cap)	32
	Master system	04
	Euro key (5333)	05
	CH751 (Stainless steel dust cap)	07
DRIVER TYPE		DD
	5 mm Double bit	15
	8 mm Square	28
	9 mm Triangular	39
	Eastern	91
HIGH-SECURITY CYLINDER (Zamak)		DD
	Keyed alike	22
	Keyed differ	23
NO CYLINDER		DD
	Plastic blind cylinder	24

Group Code	Driver Cylinder	Cam	Padlock*
102	DD	CC	

\*: add "1" for padlock application

For cams please check pages: 170 - 171

For rods please check pages: 178 - 188

For keys please check pages: 189 - 191

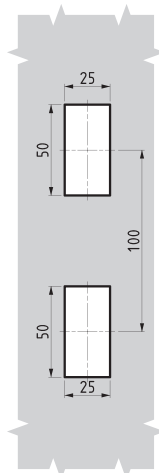
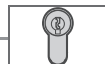
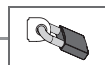
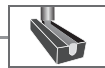


# ROD-LATCH SYSTEM

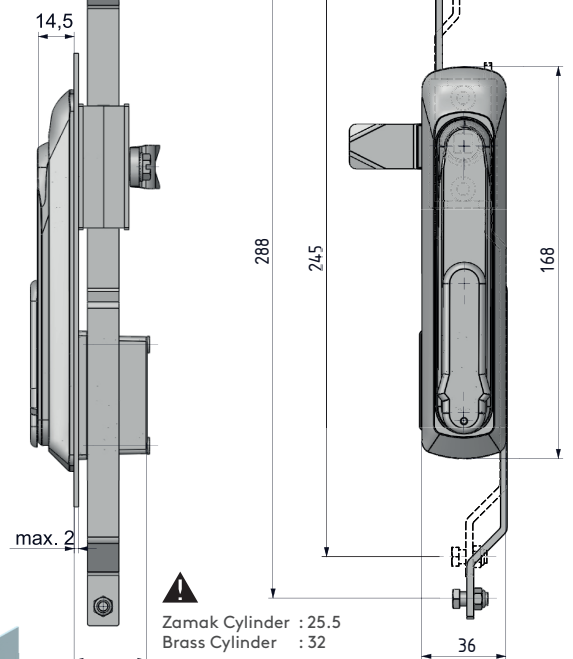
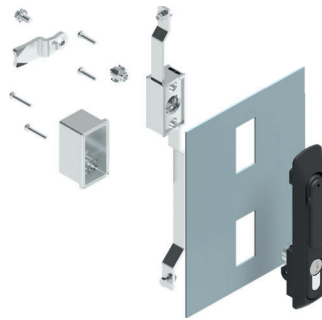
## SWINGHANDLE GEAR BOX

502

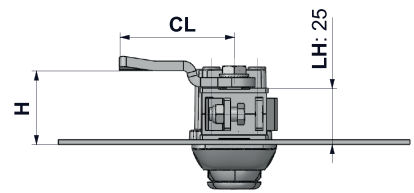
ALL IN METAL



Cut Out

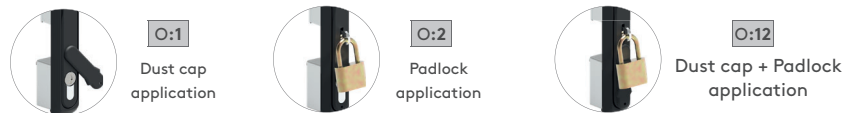


Zamak Cylinder : 25.5  
Brass Cylinder : 32



- Stainless steel version: page 446
- Die-cast construction stronger than polyamide
- Thin external profile, 14.4 mm, for flush appearance
- High-security, brass, Euro Profile single-cylinder available
- Dust cap available
- Padlockable version available
- For different colours contact Essentra

<b>MATERIAL</b>	
BODY	Zamak DIN-EN 1774-ZnAl4Cu1
HANDLE	Zamak DIN-EN 1774-ZnAl4Cu1
MECHANISM:	Zamak DIN-EN 1774-ZnAl4Cu1
GASKET:	Polyurethane

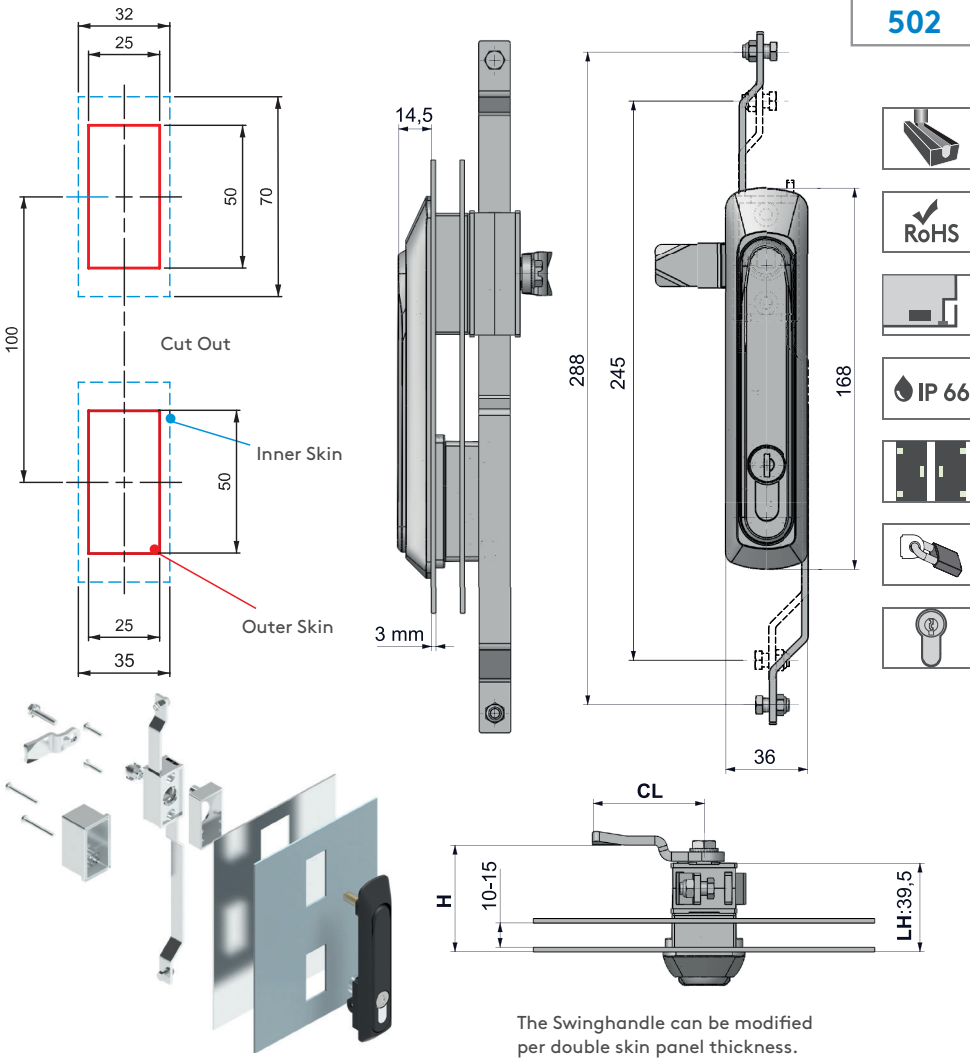


CYLINDER TYPE		DD
	Keyed alike (Stainless steel dust cap)	03
	Keyed differ (Stainless steel dust cap)	32
	CH751 (Stainless steel dust cap)	07
DRIVER TYPE		DD
	5 mm Double bit	15
	8 mm Square	28
	9 mm Triangular	39
	Eastern	91
BRASS CYLINDER		DD
	Keyed alike	11
HIGH-SECURITY CYLINDER (Zamak)		DD
	Keyed alike	22
	Keyed differ	23

MATERIAL	M	FINISH	F
Zamak	1	Chrome plated	1
		Black coated	2

Group Code	Handle	Body	Cylinder	Cam	Option
502	1	F	1	F	DD CC O

- For cams please check pages: 170 - 171
- For rods please check pages: 178 - 188
- For keys please check pages: 189 - 191



The Swinghandle can be modified per double skin panel thickness.

**502**

## SWINGHANDLE GEAR BOX

ALL IN METAL



- **Stainless steel version: page 457**
- High-security swing handle for indoor and outdoor cabinets
- Ideal for double-skin door panels and outdoor cabinets
- Spring loaded ,slam-action swing handle
- Dust cap and padlockable versions optional



O:1  
Dust cap application



O:2  
Padlock application



O:12  
Dust cap + Padlock application

ZAMAK BAREL		DD
	Keyed alike (Stainless steel dust cap)	03
	Keyed differ (Stainless steel dust cap)	32
	CH751 (Stainless steel dust cap)	07
BRASS CYLINDER		DD
	Keyed alike	11
HIGH-SECURITY CYLINDER (Zamak)		DD
	Keyed alike	22
	Keyed differ	23

MATERIAL	M	FINISH	F
Zamak	1	Chrome plated	1
		Black coated	2

Group Code	Version	Handle	Body	Cylinder	Cam	Option
<b>502</b>	<b>3</b>	<b>1</b>	<b>F</b>	<b>1</b>	<b>F</b>	<b>DD</b>
					<b>CC</b>	<b>O</b>

### MATERIAL

BODY	Zamak DIN-EN 1774-ZnAl4Cu1
HANDLE	Zamak DIN-EN 1774-ZnAl4Cu1
MECHANISM:	Zamak DIN-EN 1774-ZnAl4Cu1
GASKET:	Polyurethane



For cams please check pages: 170 - 171



For rods please check pages: 178 - 188



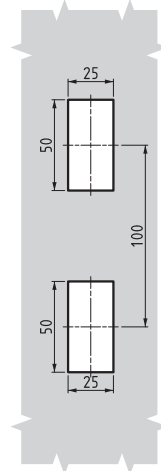
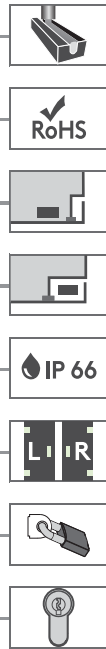
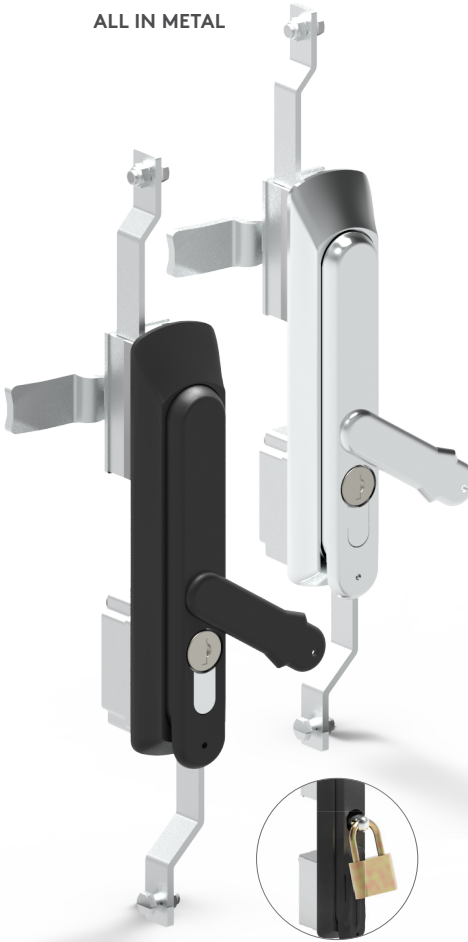
For keys please check pages: 189 - 191

# ROD-LATCH SYSTEM

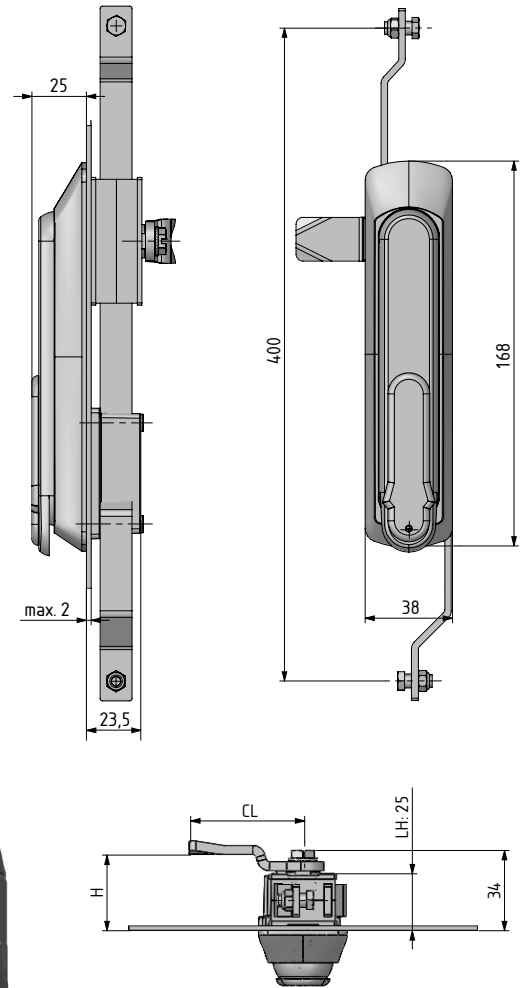
## SWINGHANDLE GEAR BOX

602

ALL IN METAL



Cut Out



- All metal construction
- Swinghandle for steel and polyester cabinets
- 40 mm Euro Profile single cylinder fitted
- Improved corrosion resistance
- High-security, brass, Euro Profile single-cylinder available

### MATERIAL

**BODY:** Zamak DIN-EN 1774-ZnAl4Cu1  
**HANDLE:** Zamak DIN-EN 1774-ZnAl4Cu1  
**COVER:** Zamak DIN-EN 1774-ZnAl4Cu1  
**MECHANISM:** Zamak DIN-EN 1774-ZnAl4Cu1  
**GASKET:** Polyurethane

CYLINDER TYPE		DD
	Keyed alike (Stainless steel dust cap)	03
	Keyed differ (Stainless steel dust cap)	32
	Master system	04
	Euro key (5333)	05
	CH751 (Stainless steel dust cap)	07
	DRIVER TYPE	
	5 mm Double bit	15
	8 mm Square	28
	9 mm Triangular	39
	Eastern	91
HIGH-SECURITY CYLINDER (Zamak)		
	Keyed alike	22
	Keyed differ	23

MATERIAL	M	FINISH	F
Zamak	1	Chrome plated	1
		Black coated	2

Group Code	Handle	Body	Cylinder	Cam	Padlock*
602	1	F	1	F	DD CC

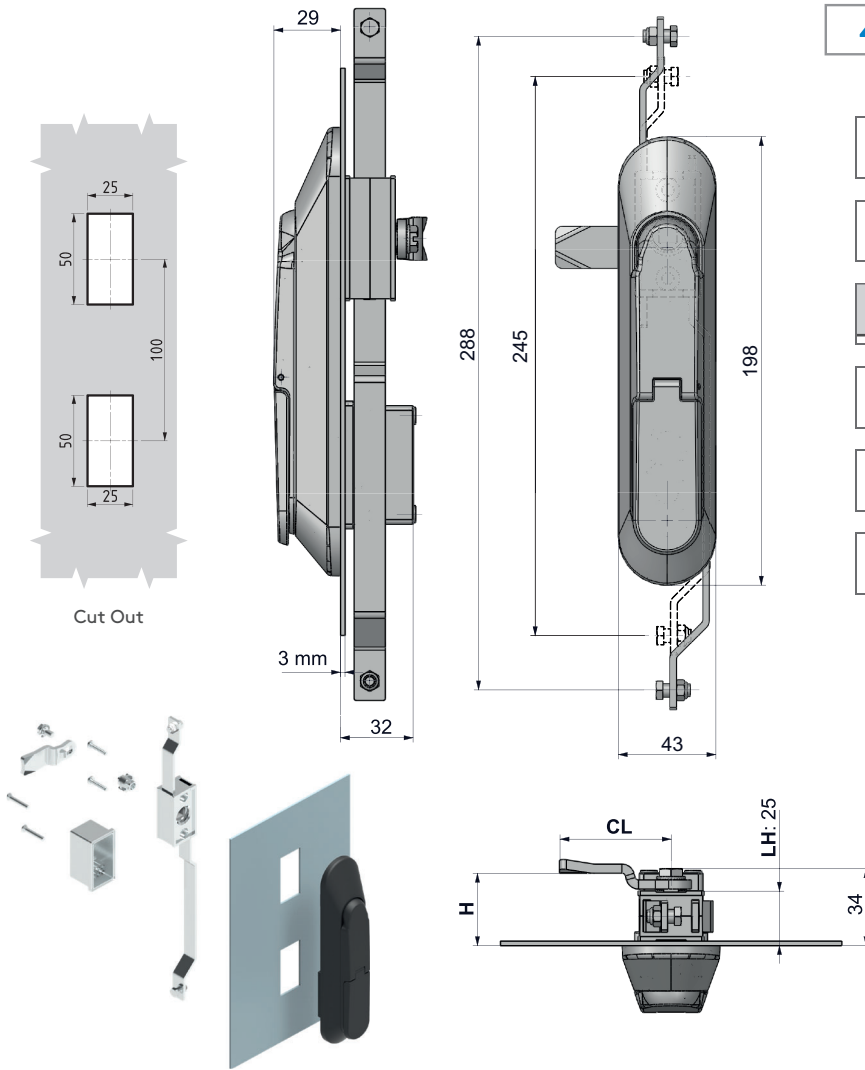
\*: add "1" for padlock application

- For cams please check pages: 170 - 171
- For rods please check pages: 178 - 188
- For keys please check pages: 189 - 191



409

SWINGHANDLE GEAR BOX



- All metal construction
- Special geometry protects against vandalism
- Complies with **DIN EN 1627: 2011-09 RC2 test**
- Improved corrosion resistance
- Double o-ring used for handle improves IP rating
- High-security cylinder alternative
- Improved IP rating with moving dust cap

**MATERIAL**

<b>BODY</b>	Zamak DIN-EN 1774-ZnAl4Cu1
<b>HANDLE:</b>	Zamak DIN-EN 1774-ZnAl4Cu1
<b>MECHANISM:</b>	Zamak DIN-EN 1774-ZnAl4Cu1
<b>GASKET:</b>	Polyurethane
<b>COVER:</b>	Zamak DIN-EN 1774-ZnAl4Cu1
<b>CAM:</b>	Steel

CYLINDER TYPE		DD
	Keyed alike (Stainless steel dust cap)	03
	Keyed differ (Stainless steel dust cap)	32
	Master system	04
	Euro key (5333)	05
	CH751 (Stainless steel dust cap)	07
DRIVER TYPE		DD
	5 mm Double bit	15
	8 mm Square	28
	9 mm Triangular	39
	Eastern	91
HIGH-SECURITY CYLINDER (Zamak)		
	Keyed alike	22
	Keyed differ	23

MATERIAL	M	FINISH	F
Zamak	1	Black coated	2

Group Code	Version	Handle	Body	Cylinder	Cam
409	1	1	2	1	2
				DD	CC

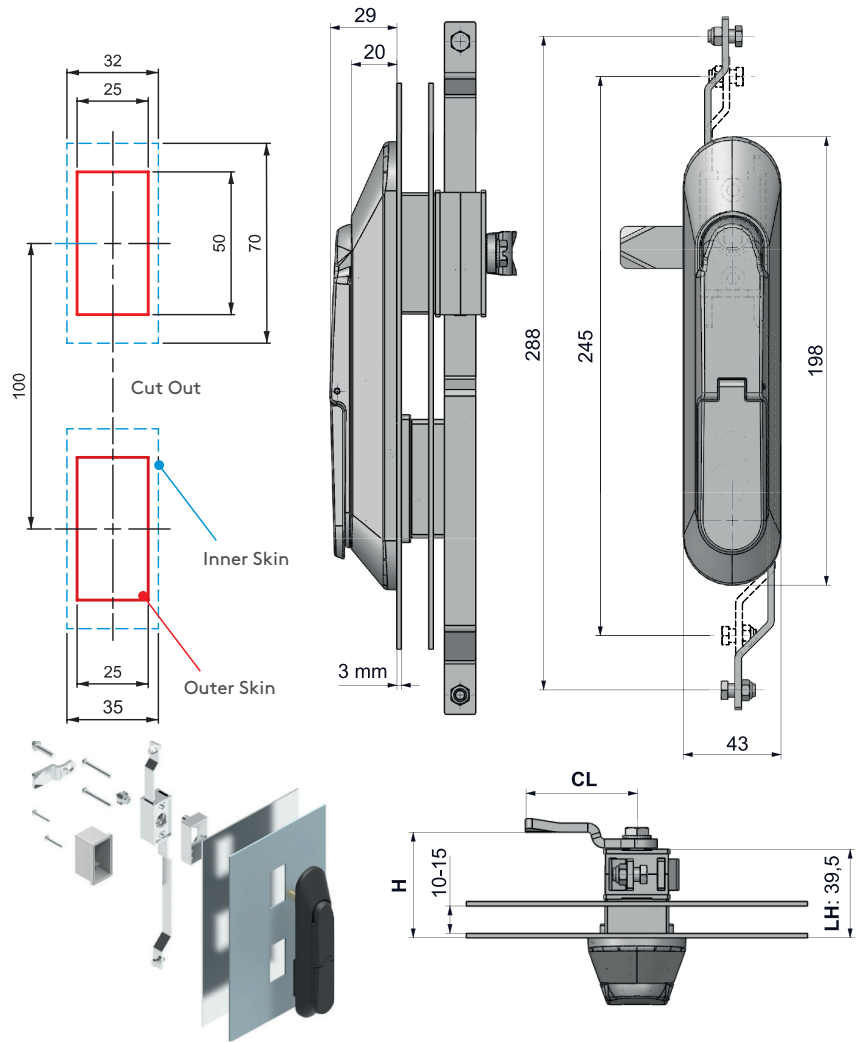
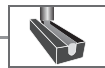
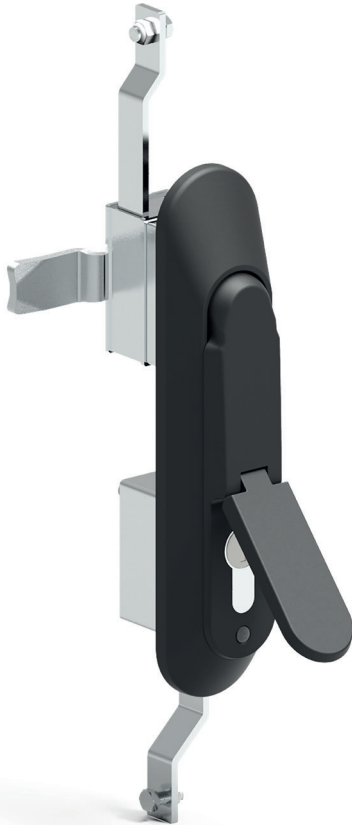
- For cams please check pages: 170 - 171
- For rods please check pages: 178 - 188
- For keys please check pages: 189 - 191

# ROD-LATCH SYSTEM

## SWINGHANDLE GEAR BOX

409

ALL IN METAL



- All metal construction
- Special geometry protects against vandalism
- Complies with DIN EN 1627: 2011-09 RC2 test
- Double o-ring handle improves IP rating
- High-security cylinder alternative
- Improved IP rating with moving dust cap

### MATERIAL

**BODY:** Zamak DIN-EN 1774-ZnAl4Cu1  
**HANDLE:** Zamak DIN-EN 1774-ZnAl4Cu1  
**MECHANISM:** Zamak DIN-EN 1774-ZnAl4Cu1  
**GASKET:** Polyurethane  
**COVER:** Zamak DIN-EN 1774-ZnAl4Cu1

CYLINDER TYPE		DD
	Keyed alike (Stainless steel dust cap)	03
	Keyed differ (Stainless steel dust cap)	32
	Master system	04
	Euro key (5333)	05
	CH751 (Stainless steel dust cap)	07
DRIVER TYPE		DD
	5 mm Double bit	15
	8 mm Square	28
	9 mm Triangular	39
	Eastern	91
	HIGH-SECURITY CYLINDER (Zamak)	
	Keyed alike	22
	Keyed differ	23

MATERIAL	M	FINISH	F
Zamak	1	Black coated	2

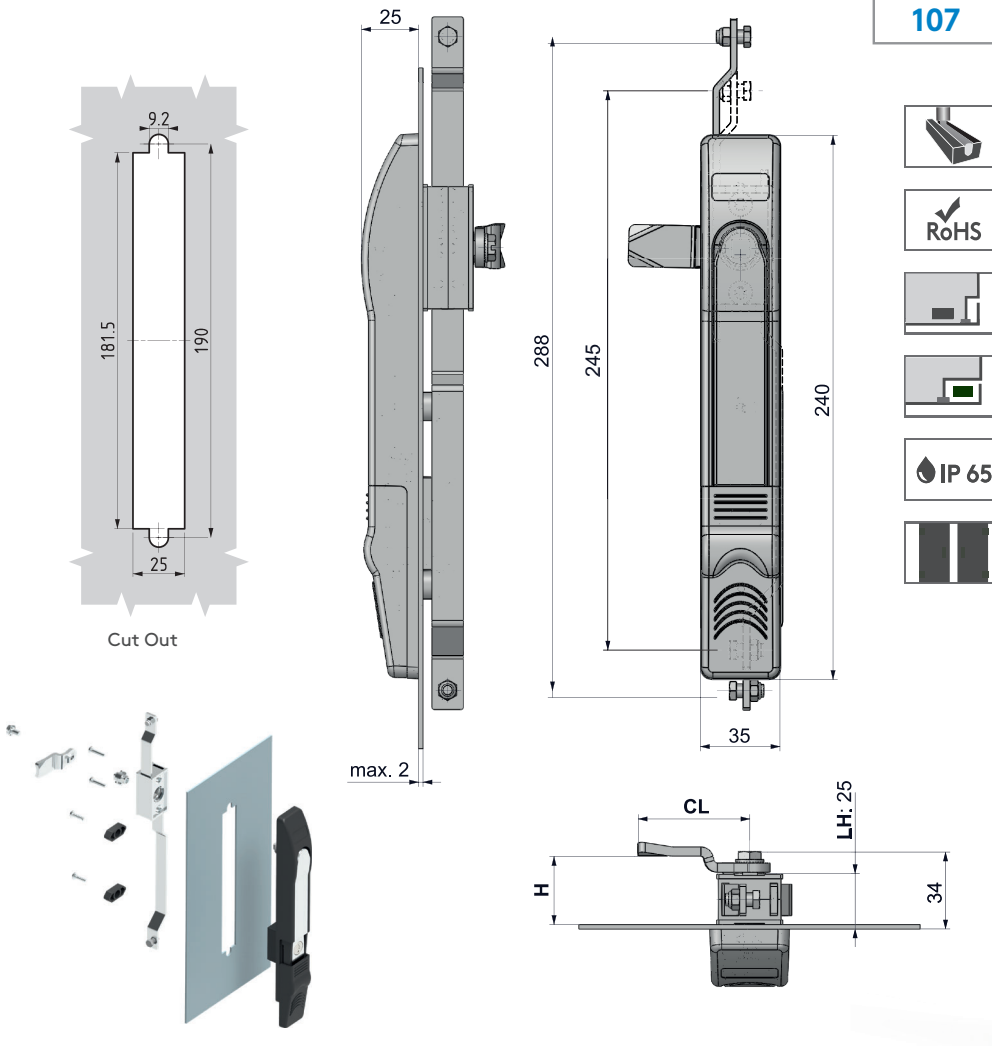
Group Code	Version	Handle	Body	Cylinder	Cam
409	3	1 2	1 2	DD	CC

- For cams please check pages: 170 - 171
- For rods please check pages: 178 - 188
- For keys please check pages: 189 - 191



107

## SWINGHANDLE GEAR BOX



- Suitable for indoor applications
- Spring-loaded , slam action swing handle
- Sliding dust cover
- Suited for outside gasketing application

### MATERIAL

**BODY** Polyamide DIN-EN ISO 1043-1 PA6 GFR 30  
**HANDLE** Zamak DIN-EN 1774-ZnAl4Cu1  
**MECHANISM:** Zamak DIN-EN 1774-ZnAl4Cu1  
**CAM:** Steel  
**GASKET:** Polyurethane

CYLINDER TYPE		DD
	Keyed alike (Stainless steel dust cap)	03
	Keyed differ (Stainless steel dust cap)	32
	Euro key (5333)	05
	CH751 (Stainless steel dust cap)	07
DRIVER TYPE		DD
	5 mm Double bit	15
	8 mm Square	28
	9 mm Triangular	39
	Button	55

MATERIAL	M	FINISH	F
Zamak	1	Chrome plated	1
		Black coated	2
Plastic	2	No finish	0

Group Code	Handle	Body	Driver Cylinder	Cam
107	1	F	2	0
			DD	CC

For cams please check pages: 170 - 171

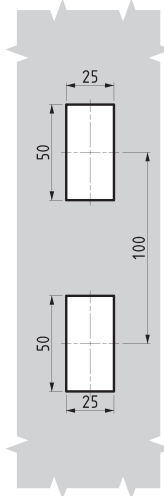
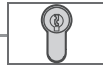
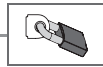
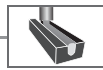
For rods please check pages: 178 - 188

For keys please check pages: 189 - 191

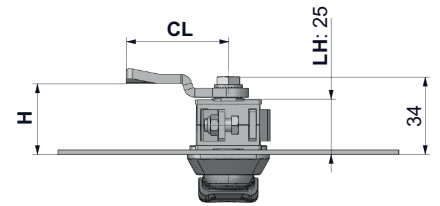
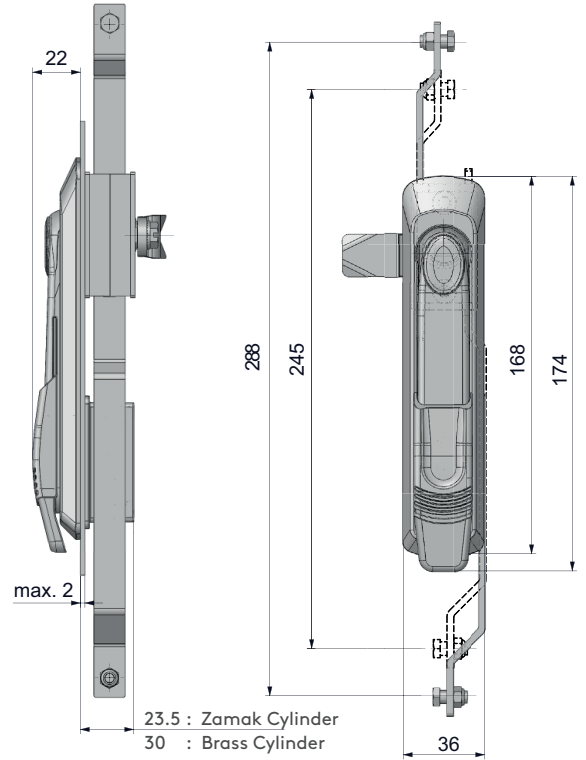
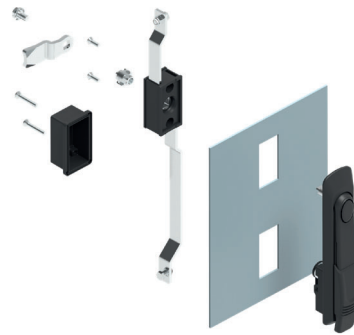
# ROD-LATCH SYSTEM

## SWINGHANDLE GEAR BOX

207



Cut Out



- Sliding dust cover
- Ergonomic handle
- Padlockable version available
- 40 mm Euro Profile cylinder fitted

### MATERIAL

BODY: Polyamide DIN-EN ISO 1043-1 PA6 GFR 30

HANDLE: PA6 GFR 30

MECHANISM: PA6 GFR 30

CAM: Steel

GASKET: Polyurethane

CYLINDER TYPE		DD
	Keyed alike (Stainless steel dust cap)	03
	Keyed differ (Stainless steel dust cap)	32
	Master system	04
	Euro key (5333)	05
	CH751 (Stainless steel dust cap)	07
	DRIVER TYPE	
	5 mm Double bit	15
	8 mm Square	28
	9 mm Triangular	39
	Eastern	91
BRASS CYLINDER		DD
	Keyed alike	11
NO CYLINDER		DD
	Plastic blind cylinder	24

For cams please check pages: 170 - 171

For rods please check pages: 178 - 188

For keys please check pages: 189 - 191

Group Code	Handle	Body	Cylinder	Cam	Padlock*
207	2	0	2	0	DD CC

\*: add "1" for padlock application



**307**

**SWINGHANDLE GEAR BOX**



- Sliding dust cover
- Ergonomic handle
- Padlockable version available

**MATERIAL**

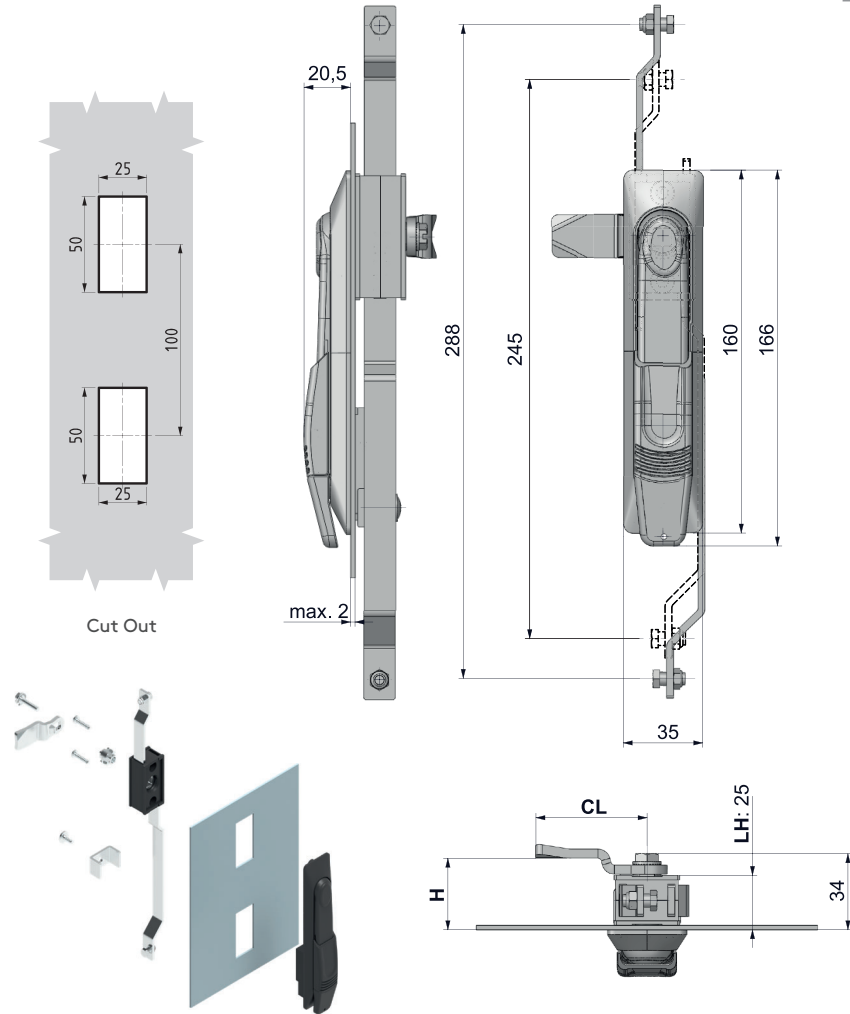
**BODY** Polyamide DIN-EN ISO 1043-1 PA6 GFR 30

**HANDLE:** PA6 GFR 30 or Zamak

**MECHANISM:** PA6 GFR 30

**CAM:** Steel

**GASKET:** Polyurethane



CYLINDER TYPE		DD
	Keyed alike (Stainless steel dust cap)	03
	Keyed differ (Stainless steel dust cap)	32
	Euro key (5333)	05
	CH751 (Stainless steel dust cap)	07
DRIVER TYPE		DD
	5 mm Double bit	15
	8 mm Square	28
	9 mm Triangular	39

MATERIAL	M	FINISH	F
Zamak	1	Chrome plated	1
		Black coated	2
Plastic	2	No finish	0

Group Code	Handle	Body	Driver Cylinder	Cam	Padlock*
<b>307</b>	<b>M</b>	<b>F</b>	<b>2</b>	<b>0</b>	<b>DD</b>

\*: add "1" for padlock application

For cams please check pages: 170 - 171

For rods please check pages: 178 - 188

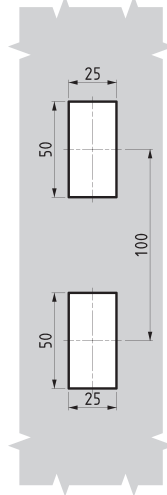
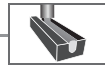
For keys please check pages: 189 - 191



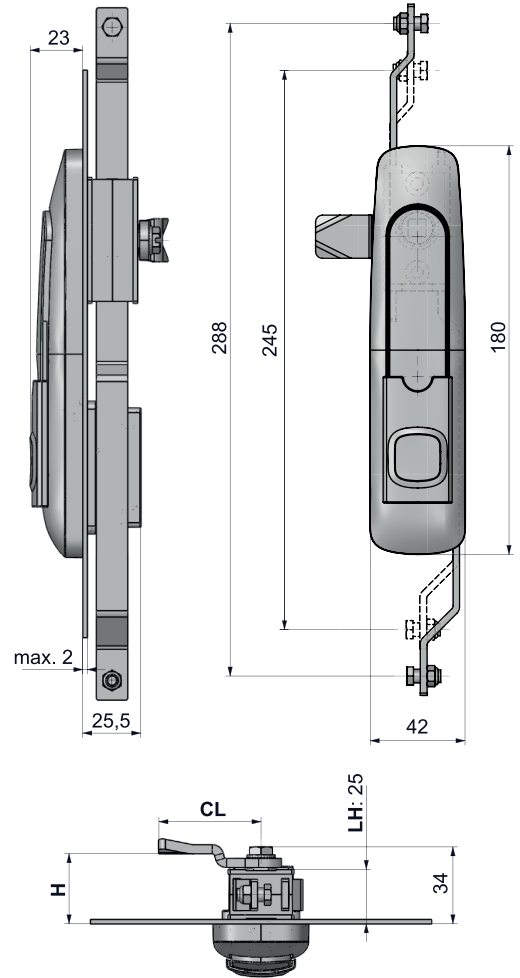
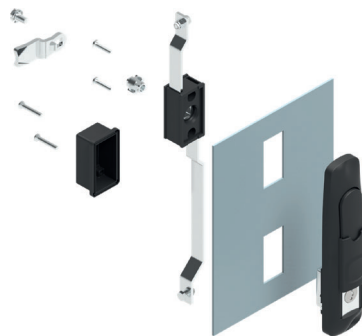
# ROD-LATCH SYSTEM

## MODULAR SYSTEM SWINGHANDLE

407



Cut Out



- Swing handle has a modular lock structure allows easy modification for customer requests
- Lock and modules could be ordered separately
- Single point locking and gearbox option is possible on same lock by an adaptor
- Padlock is optional
- Easy fixing option by plastic clips

### MATERIAL

**BODY** PA6 GFR 30  
**HANDLE** Zamak DIN-EN 1774-ZnAl4Cu1  
**MECHANISM:** PA6 GFR 30  
**MODULE** Zamak  
**CAM:** Steel

CYLINDER TYPE		DD	Order code
	Stainless steel dust cap (Keyed alike)	03	MDL03
	Stainless steel dust cap (Keyed differ)	32	MDL32
	Euro key (5333)	05	MDL05
	CH751 (Stainless steel dust cap)	07	MDL07
DRIVER TYPE		DD	Order code
	5 mm Double bit	15	MDL15
	8 mm Square	28	MDL28
	9 mm Triangular	39	MDL39
	Button	55	MDL55
BRASS CYLINDER		DD	Order code
	Keyed alike	11	MDL11

MATERIAL	M	FINISH	F
Zamak	1	Chrome plated	1
		Black coated	2
Plastic	2	No finish	0

- For cams please check pages: 170 - 171
- For rods please check pages: 178 - 188
- For keys please check pages: 189 - 191

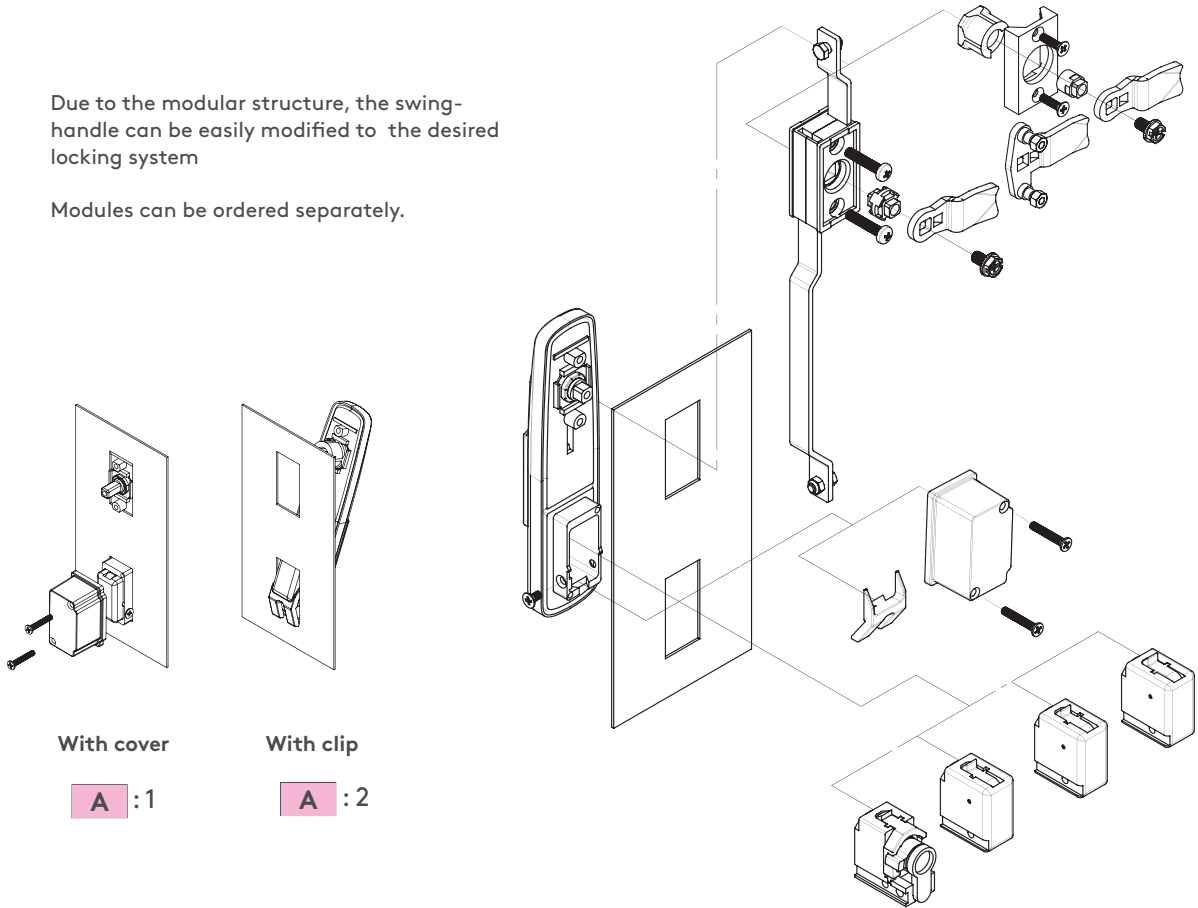
Group Code	Handle	Body	Module	Cam	Assembly	Padlock*
407	1	F	2	0	DD	CC
						A

\*: add "1" for padlock application



Due to the modular structure, the swing-handle can be easily modified to the desired locking system

Modules can be ordered separately.



With cover

**A** : 1

With clip

**A** : 2

The set items can be ordered separately with their codes in below



**MLS01**

1-SET:

- Body
- Handle
- Dust cap
- Shaft

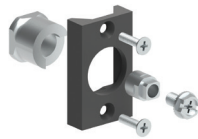


**MLS02**

1-SET:

- Plastic Mechanism
- Screws
- Cam Adapter

For multi point locking



**MLS03**

1-SET:

- Plastic Fixed Part
- Screws
- Cam Adapter

For single point locking



**MDLXX**

MODULES

- MDLXX

Please check the previous page



**MLS05**

1-SET:

- Plastic Fixed Part
- Screws

With this set the handle meet IP 65 specs.



**320.02.246**

1-PCS

- Clip-in part

With this clip-in part mounting time reduces by %50



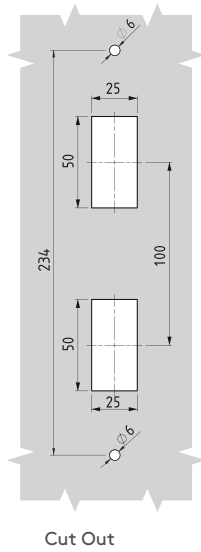
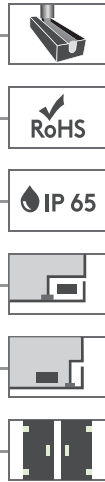
**DILLER**

Please check the cams page 172 - 173

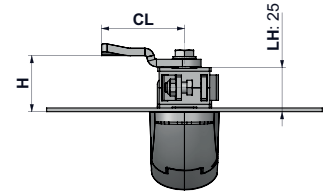
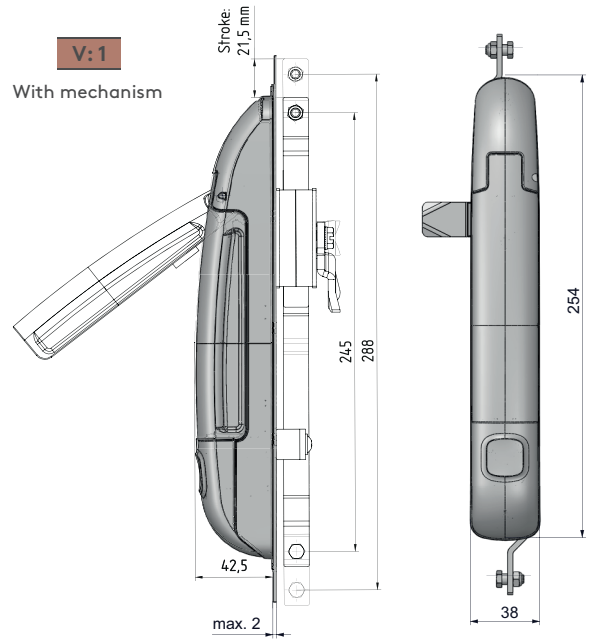
# ROD-LATCH SYSTEM

## LINEAR HANDLE LOCK

204



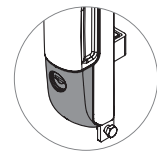
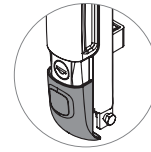
V:1  
With mechanism



OPTION

Sliding dust cover 1

Fixed cover 2



- Ergonomic and modern design
- Locking and unlocking by linear movement
- Suitable for inside & outside gasketing applications
- Swing handle has a modular lock structure allows easy modification for customer requests
- Standard or special rods allows locking to both directions

### MATERIAL

BODY PA6 GFR 30  
HANDLE Zamak DIN-EN 1774-ZnAl4Cu1

MECHANISM: Steel  
CAM: Steel  
GASKET: Polyurethane

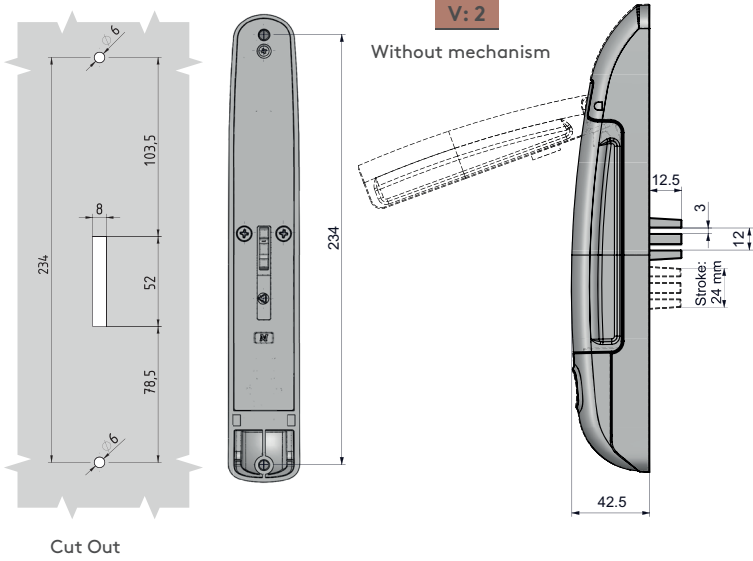
**⚠ Note:** For different colors please contact Essentra

CYLINDER TYPE		DD
	Stainless steel dust cap (Keyed alike)	03
	Stainless steel dust cap (Keyed differ)	32
	Euro key (5333)	05
	CH751 (Stainless steel dust cap)	07
DRIVER TYPE		DD
	5 mm Double bit	15
	8 mm Square	28
	9 mm Triangular	39
	Button	55

MATERIAL	M	FINISH	F
Zamak	1	Chrome plated	1
		Black coated	2

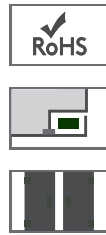
- For cams please check pages: 170 - 171
- For rods please check pages: 178 - 188
- For keys please check pages: 189 - 191

Group Code	Version	Handle	Body	Modul	Cam	Option
204	V	1	F	2	0	DD CC O

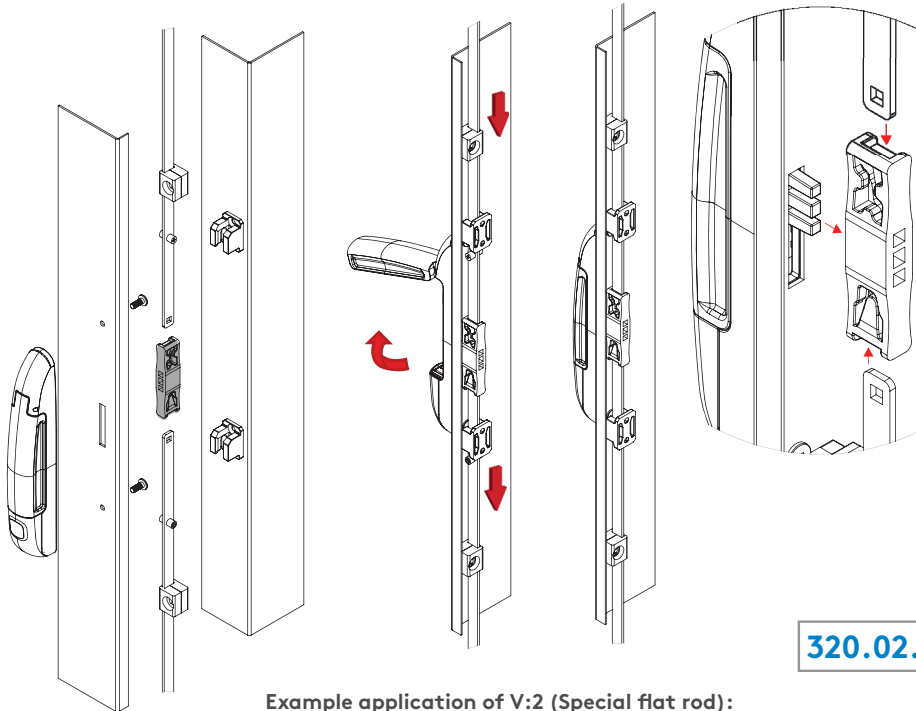


204

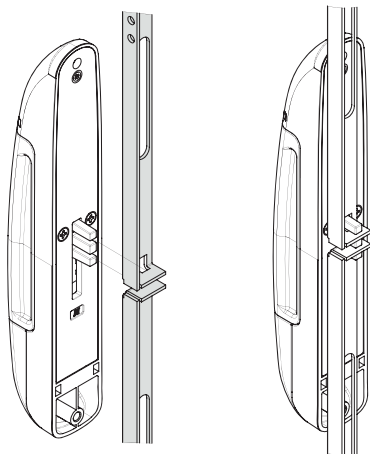
LINEAR HANDLE LOCK



Example application of V:2 (standard flat rod):



Example application of V:2 (Special flat rod):



- Ergonomic and modern design
- Locking and unlocking by linear movement
- Suitable for inside & outside gasketing applications
- Swing handle has a modular lock structure allows easy modification for customer requests
- Standard or special rods allows locking to one direction

MATERIAL

BODY PA6 GFR 30  
 HANDLE Zamak DIN-EN 1774-ZnAl4Cu1  
 MECHANISM: Steel

320.02.225

FLAT ROD EASY ASSEMBLY PART



- Allows easy mounting of the flat rods

MATERIAL

PA6 GFR 30

For rods please check pages: 178 - 188

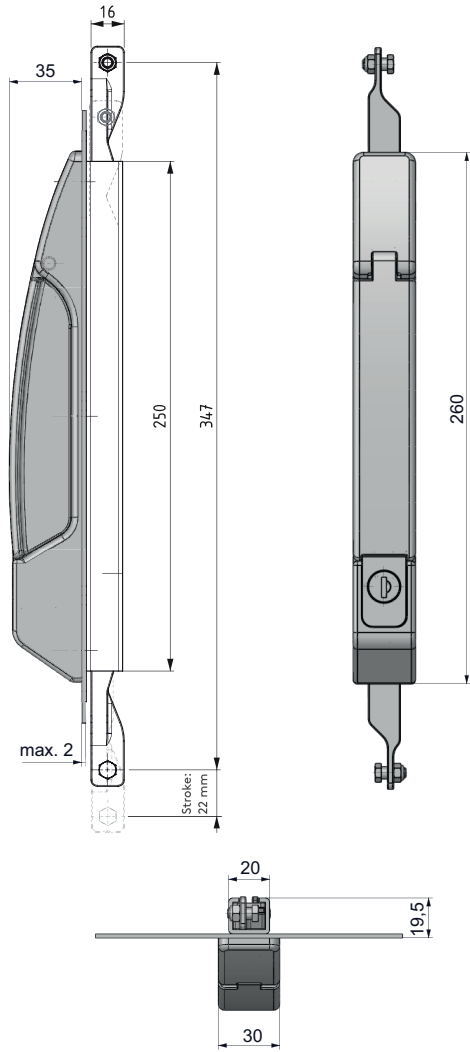
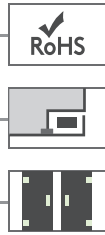
For keys please check pages: 189 - 191

# ROD-LATCH SYSTEM

## LINEAR HANDLE LOCK

104

ALL IN METAL



- Locking and unlocking by linear movement
- Suitable for out-of-gasket applications

### MATERIAL

BODY Zamak DIN-EN 1774-ZnAl4Cu1  
 HANDLE Zamak DIN-EN 1774-ZnAl4Cu1  
 MECHANISM: Steel  
 CAM: Steel  
 GASKET: Polyurethane

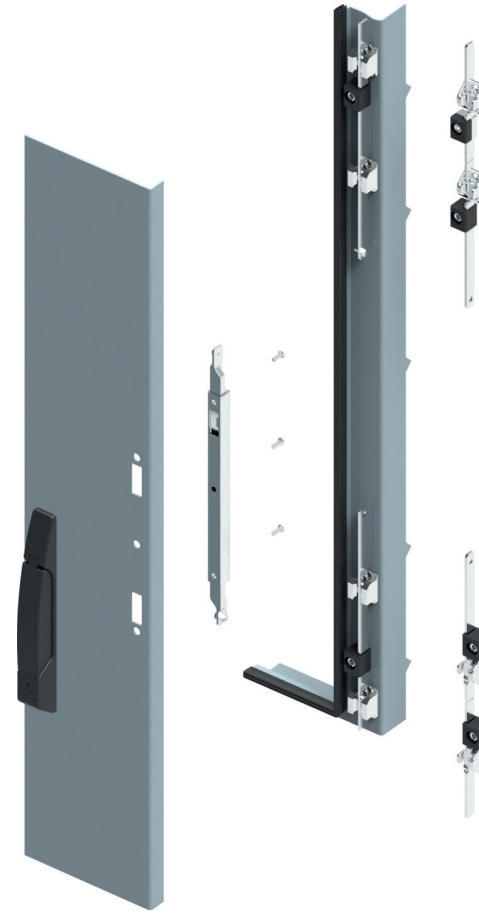
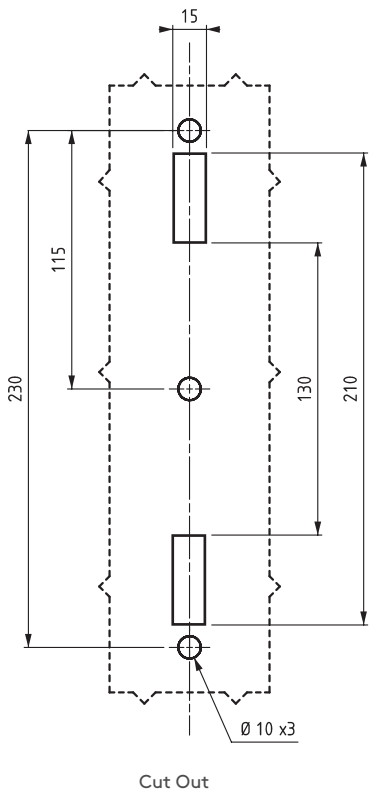
CYLINDER TYPE		DD
	Keyed alike (Stainless steel dust cap)	03
	Keyed differ (Stainless steel dust cap)	32
	Euro key (5333)	05
	CH751 (Stainless steel dust cap)	07
DRIVER TYPE		DD
	5 mm Double bit	15
	8 mm Square	28
	9 mm Triangular	39
	Button	55

MATERIAL	M	FINISH	F
Zamak	1	Chrome plated	1
		Black coated	2

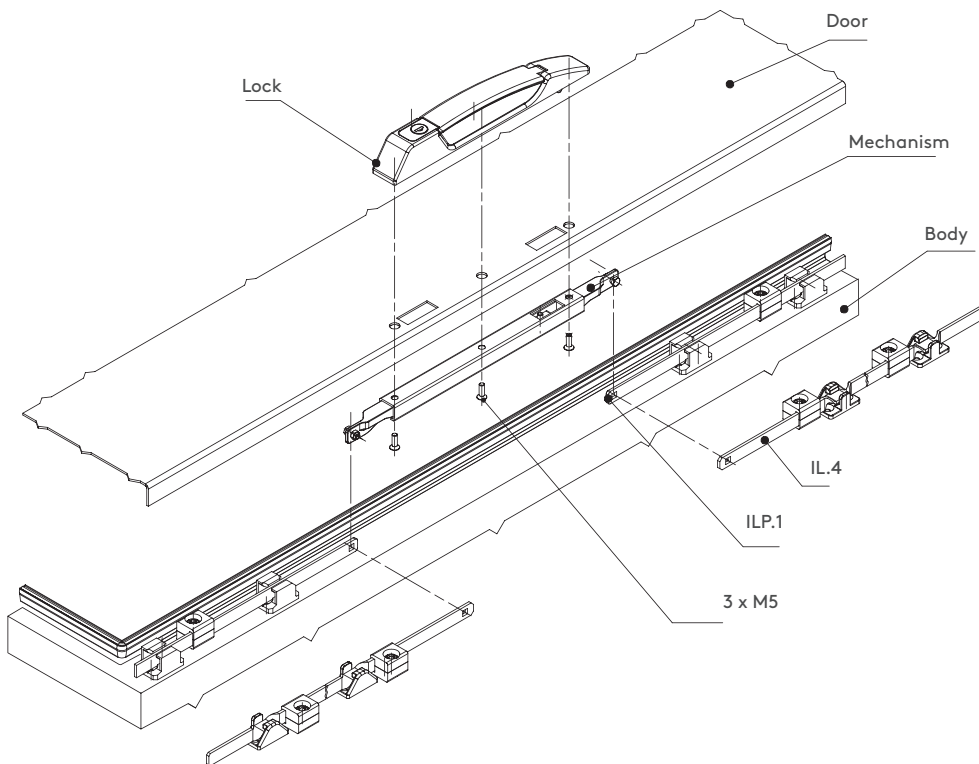
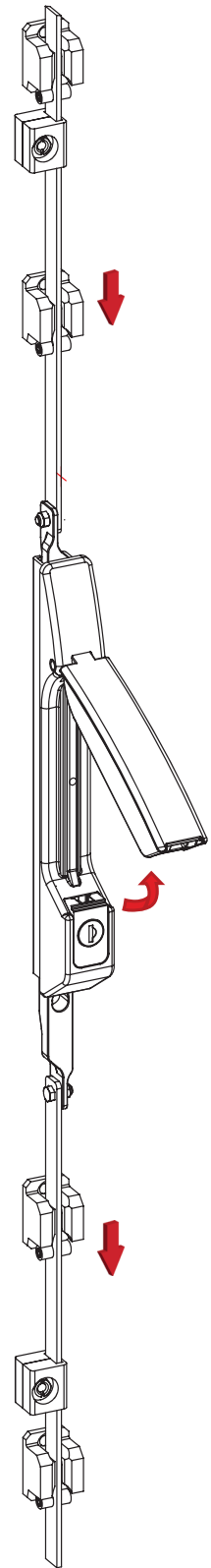
Group Code	Handle	Body	Module
104	1	F	DD

104

LINEAR HANDLE LOCK



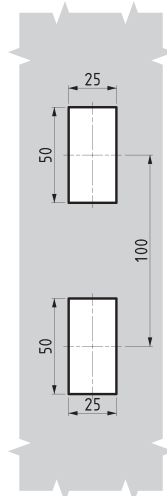
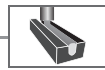
Application



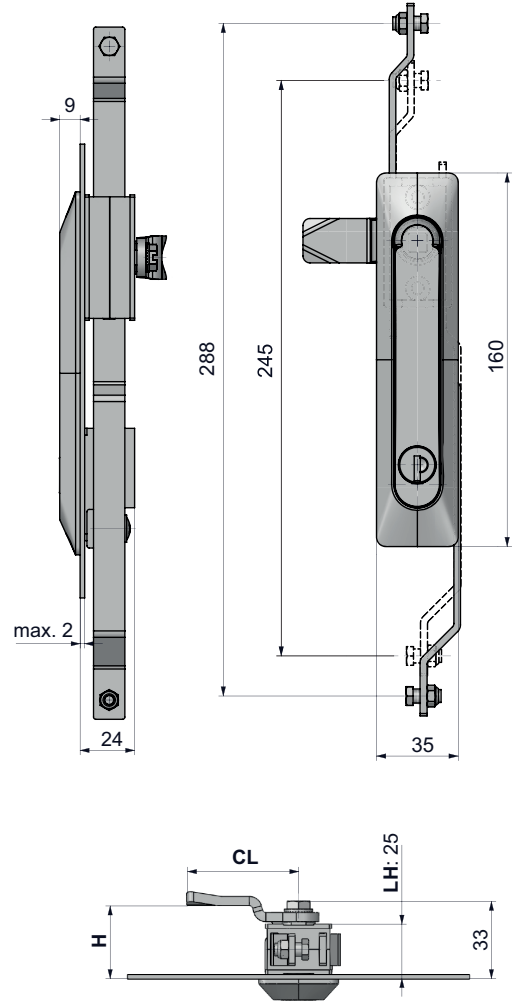
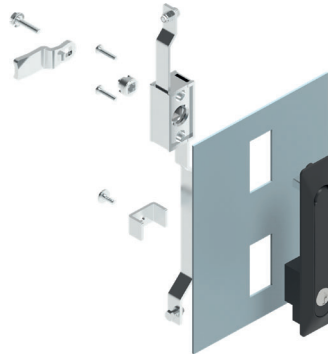
# ROD-LATCH SYSTEM

## SWINGHANDLE GEAR BOX

109



Cut Out



- Ultra-low external profile, just 9 mm, for flush appearance
- Spring loaded, slam-action swinghandle

### MATERIAL

**BODY** Zamak DIN-EN 774-ZnAl4Cu1 or PA6 GFR 30

**HANDLE** Zamak DIN-EN 1774-ZnAl4Cu1

**MECHANISM:** Zamak DIN-EN 1774-ZnAl4Cu1

**CAM:** Steel

**GASKET:** Polyurethane

### CYLINDER TYPE

DD



Keyed alike (Stainless steel dust cap)

03

Keyed differ (Stainless steel dust cap)

32

Master system

04

Euro key (5333)

05

CH751 (Stainless steel dust cap)

07

### DRIVER TYPE

DD



5 mm Double bit

15

8 mm Square

28

9 mm Triangular

39

### HIGH-SECURITY CYLINDER

DD



Keyed alike

20

Keyed differ

21

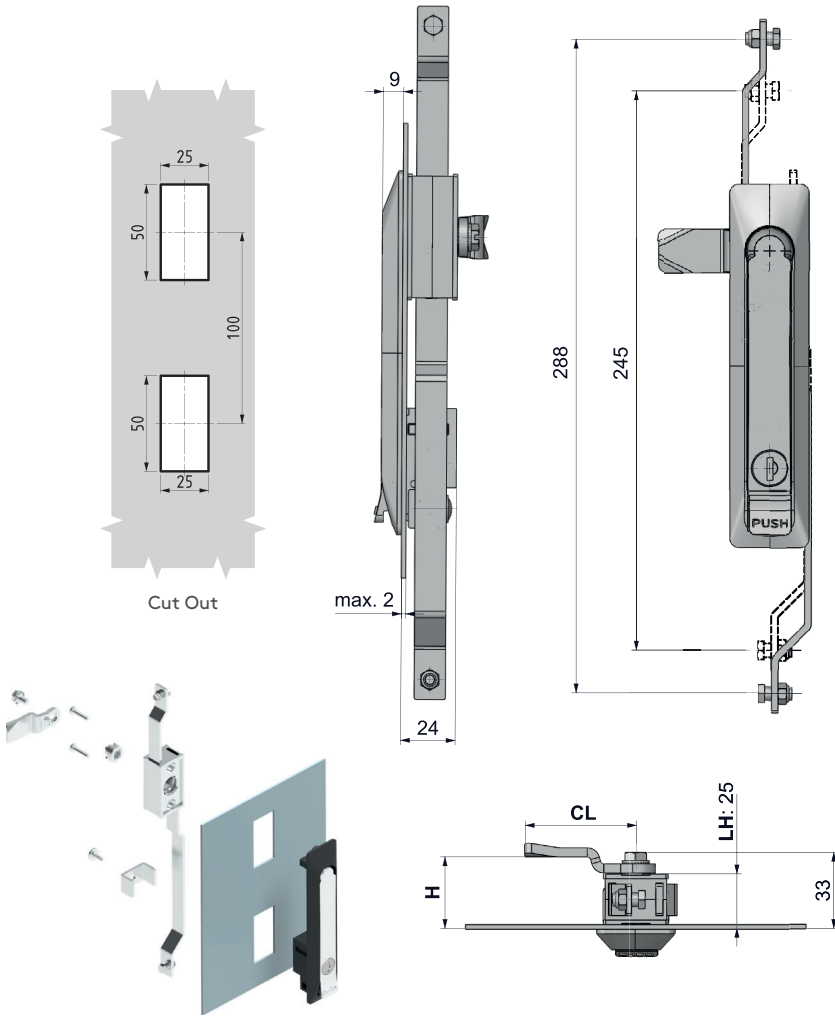
MATERIAL	M	FINISH	F
Zamak	1	Chrome plated	1
		Black coated	2
Plastic	2	No finish	0

For cams please check pages: 170 - 171

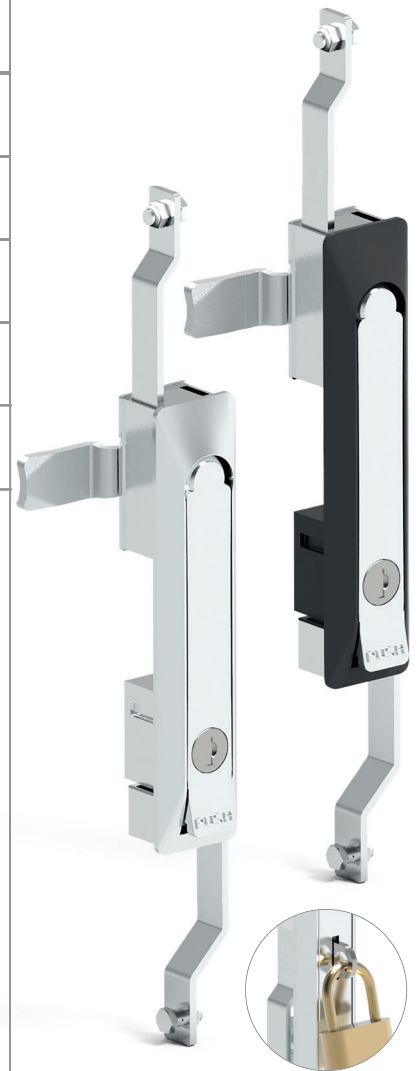
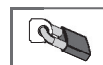
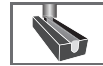
For rods please check pages: 178 - 188

For keys please check pages: 189 - 191

Group Code	Handle	Body	Driver Cylinder	Cam
109	1	F	M	F
			DD	CC



**909** SWINGHANDLE GEAR BOX



- Swing handle with push button
- Standard cut out
- Ultra low external profile, just 9 mm, to give flush appearance

**MATERIAL**  
**BODY** Zamak DIN-EN 774-ZnAl4Cu1 or PA6 GFR 30  
**MECHANISM:** Zamak DIN-EN 1774-ZnAl4Cu1  
**HANDLE** Zamak DIN-EN 1774-ZnAl4Cu1  
**CAM:** Steel  
**GASKET:** Polyurethane

CYLINDER TYPE		DD
	No Cylinder	00
	Keyed alike (Stainless steel dust cap)	03
	Keyed differ (Stainless steel dust cap)	32
	Master sistem	04
	Euro key (5333)	05
	CH751 (Stainless steel dust cap)	07
DRIVER		DD
	5 mm Double bit	15
	8 mm Square	28
	9 mm Triangular	39

MATERIAL	M	FINISH	F
Zamak	1	Chrome plated	1
		Black coated	2
Plastik	2	No finish	0

Group Code	Handle	Body	Driver Cylinder	Cam	Padlock*
909	1	F	M	F	DD CC

\*: add "1" for padlock application

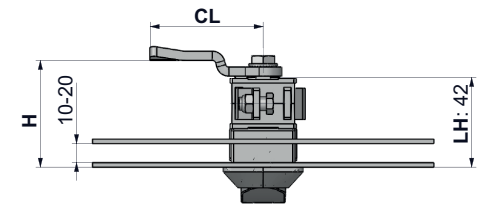
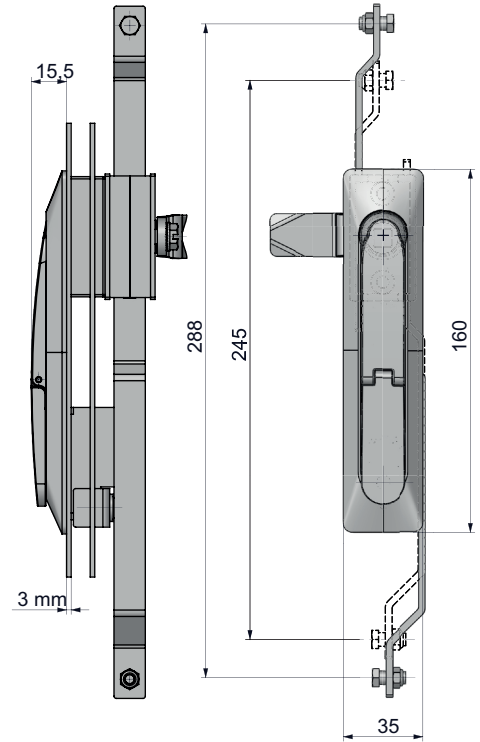
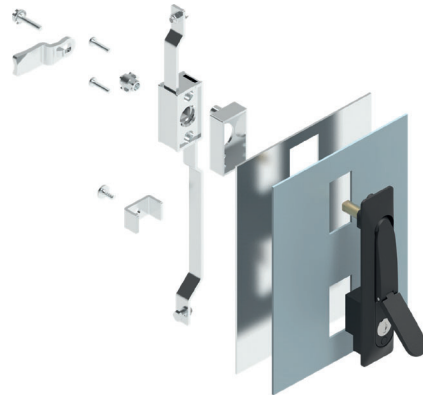
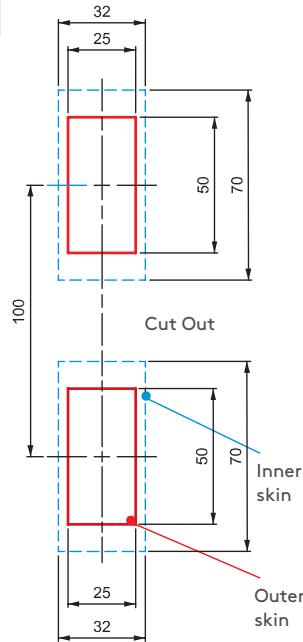
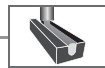
- For cams please check pages: 170 - 171
- For rods please check pages: 178 - 188
- For keys please check pages: 189 - 191



# ROD-LATCH SYSTEM

## SWINGHANDLE GEAR BOX

109



The swing handle can be modified per double-skin panel thickness.

- Ideal for double-skin doors and outdoor cabinets
- Stronger body to protect against vandalism
- High-security cylinder with specially shaped key prevents unauthorized duplication
- Improved IP resistance with moving dust cap
- Spring-loaded handle, slam action

### MATERIAL

BODY: Zamak DIN-EN 1774-ZnAl4Cu1  
 HANDLE: Zamak DIN-EN 1774-ZnAl4Cu1  
 MECHANISM: Zamak DIN-EN 1774-ZnAl4Cu1  
 CAM: Steel  
 GASKET: Polyurethane

CYLINDER TYPE		DD
	Keyed alike (Stainless steel dust cap)	03
	Keyed differ (Stainless steel dust cap)	32
	Master system	04
	Euro key (5333)	05
	CH751 (Stainless steel dust cap)	07
DRIVER TYPE		DD
	5 mm Double bit	15
	8 mm Square	28
	9 mm Triangular	39
HIGH-SECURITY CYLINDER		DD
	Keyed alike	20
	Keyed differ	21

MATERIAL	M	FINISH	F
Zamak	1	Chrome plated	1
		Black coated	2

Group Code	Version	Handle	Body	Cylinder	Cam
109	3	1	F	1	F
				DD	CC

For cams please check pages: 170 - 171

For rods please check pages: 178 - 188



109

## SWINGHANDLE GEAR BOX



- All metal construction
- Improved corrosion resistance
- High-security cylinder alternative
- Improved IP resistance with moving dust cap

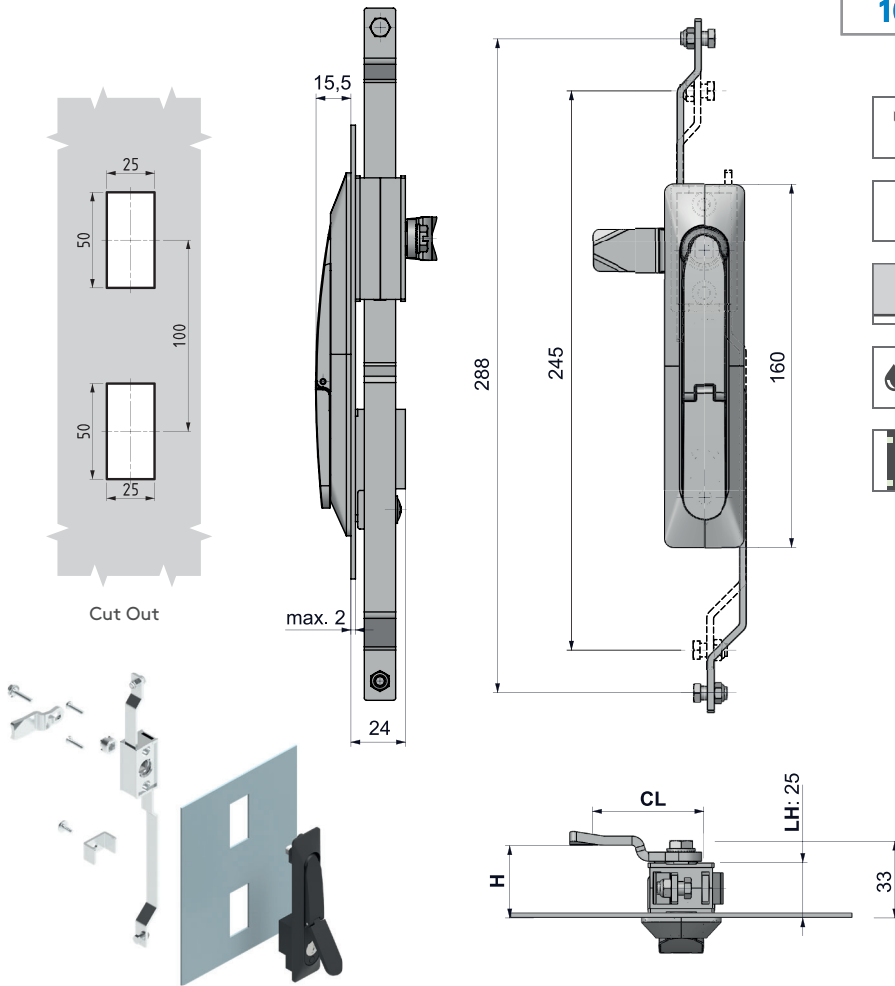
### MATERIAL

<b>BODY</b>	Zamak DIN-EN 1774-ZnAl4Cu1
<b>HANDLE</b>	Zamak DIN-EN 1774-ZnAl4Cu1
<b>MECHANISM:</b>	Zamak DIN-EN 1774-ZnAl4Cu1
<b>CAM:</b>	Steel
<b>GASKET:</b>	Polyurethane

For cams please check pages: 170 - 171

For rods please check pages: 178 - 188

For keys please check pages: 189 - 191



CYLINDER TYPE		DD
	Keyed alike (Stainless steel dust cap)	03
	Keyed differ (Stainless steel dust cap)	32
	Master system	04
	Euro key (5333)	05
	CH751 (Stainless steel dust cap)	07
DRIVER TYPE		DD
	5 mm Double bit	15
	8 mm Square	28
	9 mm Triangular	39
HIGH-SECURITY CYLINDER		DD
	Keyed alike	20
	Keyed differ	21

MATERIAL	M	FINISH	F
Zamak	1	Chrome plated	1
		Black coated	2

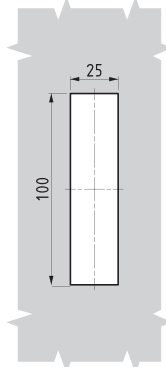
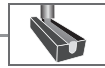
Group Code	Version	Handle	Body	Cylinder	Cam
109	2	1 F	1 F	DD	CC

# ROD-LATCH SYSTEM

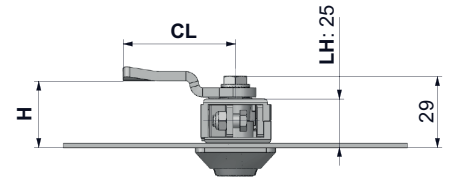
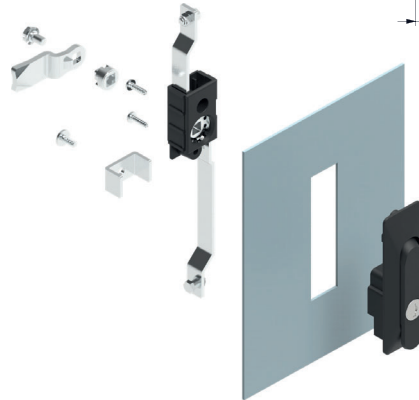
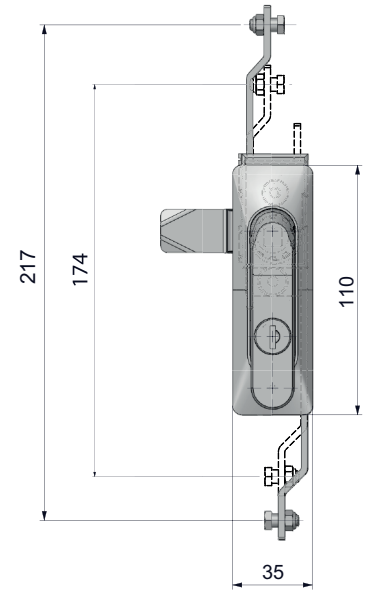
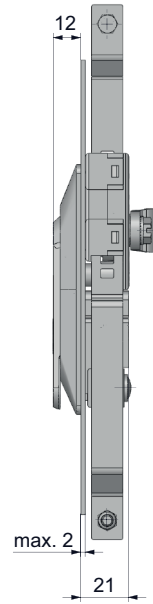
## SWINGHANDLE GEAR BOX

309

### SMALL VERSION



Cut Out



- Large version: page 75
- Swinghandle can be applied outside gasketing
- Special gear-box is used
- Three-point locking
- 25 mm x 100 mm cut out

### MATERIAL

BODY Polyamide DIN-EN ISO 1043-1 PA6 GFR 30

MECHANISM: PA66

HANDLE Zamak DIN-EN 1774-ZnAl4Cu1 or PA6 GFR 30

GASKET: Polyurethane

### CYLINDER TYPE

	DD
No Cylinder	00
Keyed alike (Stainless steel dust cap)	03
Keyed differ (Stainless steel dust cap)	32
Master system	04
Euro key (5333)	05
CH751 (Stainless steel dust cap)	07

MATERIAL	M	FINISH	F
Zamak	1	Chrome plated	1
		Black coated	2
Plastic	2	No finish	0

Group Code	Handle	Body	Driver Cylinder	Cam
309	M	F	2	0
			DD	CC

For cams please check pages: 170 - 171

For rods please check pages: 178 - 188



209

SWINGHANDLE GEAR BOX

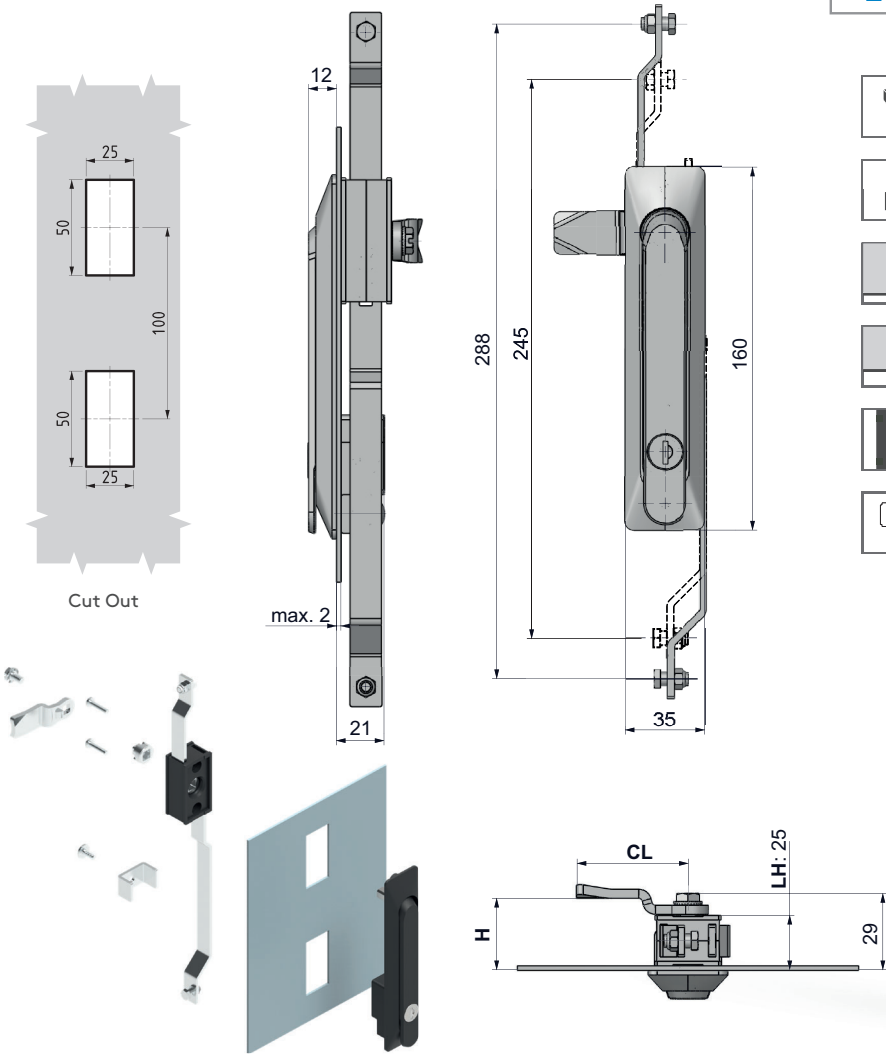


- Handle is not spring loaded and slam action
- Key can be removed at unlocked position.

**MATERIAL**  
**BODY:** Zamak DIN-EN 1774-ZnAl4Cu1 or PA6 GFR 30  
**HANDLE:** Zamak DIN-EN 1774-ZnAl4Cu1 or PA6 GFR 30  
**MECHANISM:** PA6 GFR 30  
**CAM:** Steel  
**GASKET:** Polyurethane

For cams please check pages: 170 - 171

For rods please check pages: 178 - 188



CYLINDER TYPE		DD
	No Cylinder	00
	Keyed alike (Stainless steel dust cap)	03
	Keyed differ (Stainless steel dust cap)	32
	Master system	04
	Euro key (5333)	05
	CH751 (Stainless steel dust cap)	07
DRIVER TYPE		DD
	5 mm Double bit	15
	8 mm Square	28
	9 mm Triangular	39

MATERIAL	M	FINISH	F
Zamak	1	Chrome plated	1
		Black coated	2
Plastic	2	No finish	0

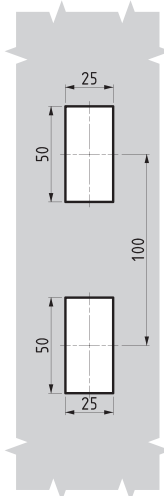
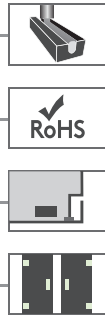
Group Code	Handle	Body	Driver Cylinder	Cam	Padlock*
209	M	F	M	F	DD
					CC

\*: add "1" for padlock application  
 (All in metal only is applied)

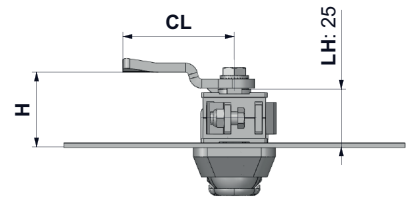
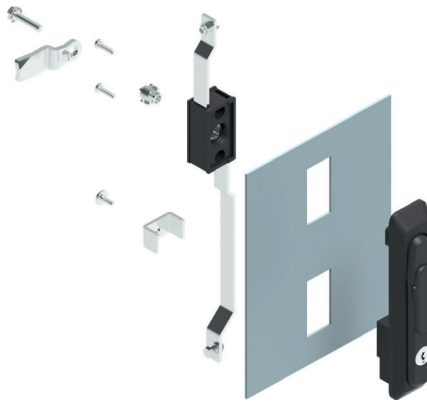
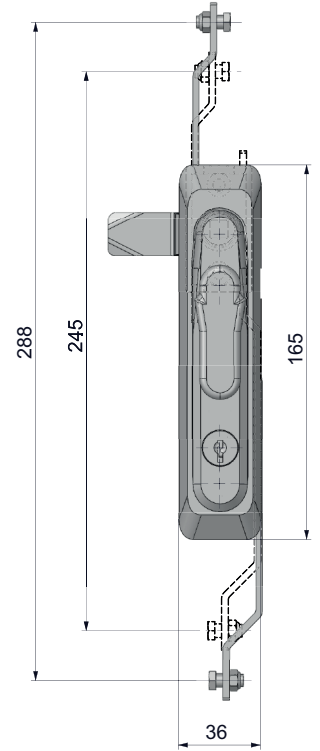
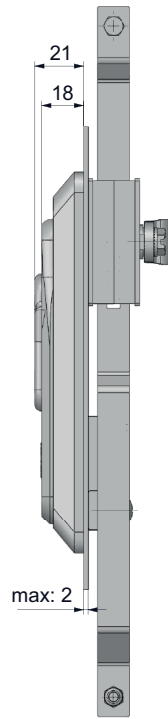
# ROD-LATCH SYSTEM

SWINGHANDLE GEAR BOX

007



Cut Out



- Lower strength swing-handle that accepts cylindrical drivers only
- Spring-loaded, slam-action swinghandle
- Can use indoors
- Competitive price with polyamide gearbox

**MATERIAL**

BODY: Polyamide DIN-EN ISO 1043-1 PA6 GFR 30  
 HANDLE: PA6 GFR 30  
 MECHANISM: PA6 GFR 30  
 CAM: Steel  
 GASKET: Polyurethane

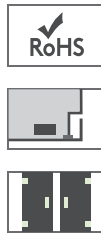
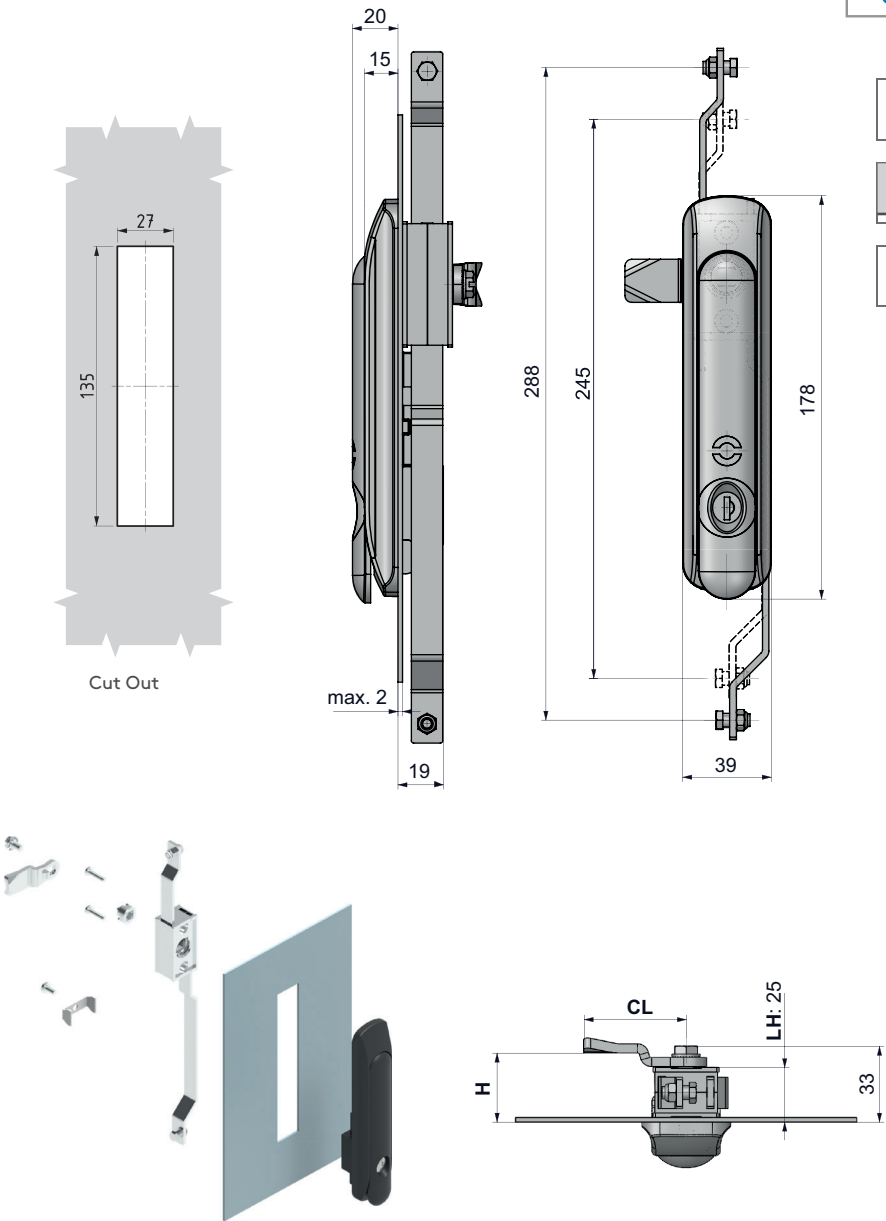
CYLINDER TYPE		DD
	Keyed alike (Stainless steel dust cap)	03
	Keyed differ (Stainless steel dust cap)	32
	Master system	04
	Euro key (5333)	05
	CH751 (Stainless steel dust cap)	07
DRIVER TYPE		DD
	5 mm Double bit	15
	8 mm Square	28
	9 mm Triangular	39

- For cams please check pages: 170 - 171
- For rods please check pages: 178 - 188
- For keys please check pages: 189 - 191

Group Code	Driver Cylinder	Cam
007	DD	CC




## 809 SWINGHANDLE GEAR BOX





• Offers an economical solution

**MATERIAL**  
**BODY:** Polyamide DIN-EN ISO 1043-1 PA6 GFR 30  
**MECHANISM:** Zamak DIN-EN 1774-ZnAl4Cu1  
**HANDLE:** Polyamide DIN-EN ISO 1043-1 PA6 GFR 30  
**GASKET:** Polyurethane

	CYLINDER TYPE	
	Keyed alike (Stainless steel dust cap)	DD
	Keyed differ (Stainless steel dust cap)	03
	Master system	32
	Euro key (5333)	04
	CH751 (Stainless steel dust cap)	05
		07

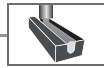
Group Code	Handle	Body	Cylinder	Cam
809	2	0	2	0
			DD	CC

 For cams please check pages: 170 - 171  
 For rods please check pages: 178 - 188

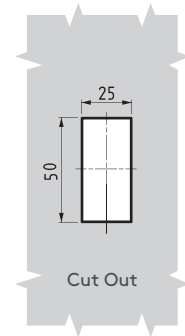
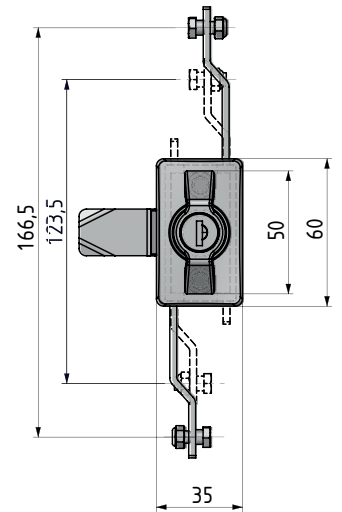
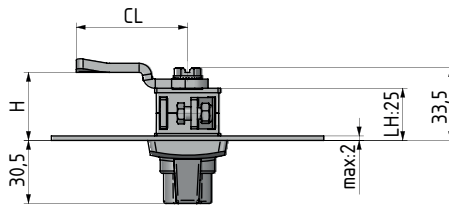
# ROD-LATCH SYSTEM

## THREE-POINT LOCK - WING KNOB

103



V: 2



- Wing knob, T handle and L handle available
- Optional blind version
- Standard 25 mm x 50 mm cut outw

### MATERIAL

BODY: Zamak or PA6 GFR 30

HANDLE: Zamak or PA6 GFR 30

MECHANISM: Zamak DIN-EN 1774-ZnAl4Cu1

CAM: Steel

GASKET: Polyurethane

No Cylinder '00'



### CYLINDER TYPE

CYLINDER TYPE		DD
	No Cylinder	00
	Keyed alike (Stainless steel dust cap)	03
	Keyed differ (Stainless steel dust cap)	32
	Master system	04
	Euro key (5333)	05
	CH751 (Stainless steel dust cap)	07

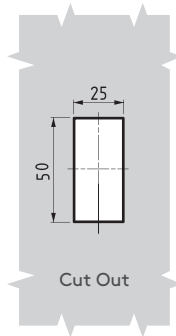
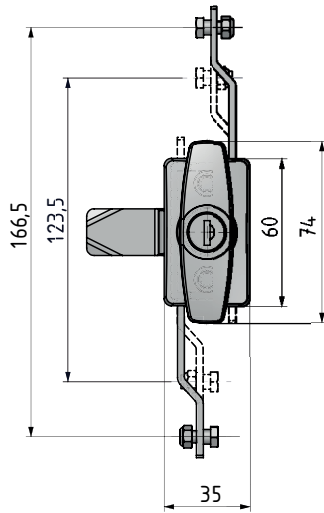
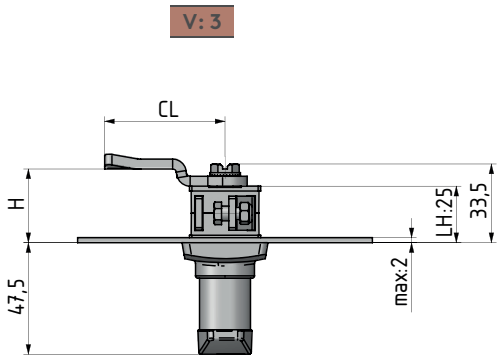
MATERIAL	M	FINISH	F
Zamak	1	Chrome plated	1
		Black coated	2
Plastic	2	No finish	0

DOOR DIRECTION	
Right hand	001
Left hand	002

Group Code	Version	Handle	Body	Cylinder	Cam	Door Direction
103	V	M	F	M	F	DD

For cams please check pages: 170 - 171

For rods please check pages: 178 - 188



103

THREE-POINT LOCK - T HANDLE



103

THREE-POINT LOCK - L HANDLE



 For cams please check pages: 170 - 171

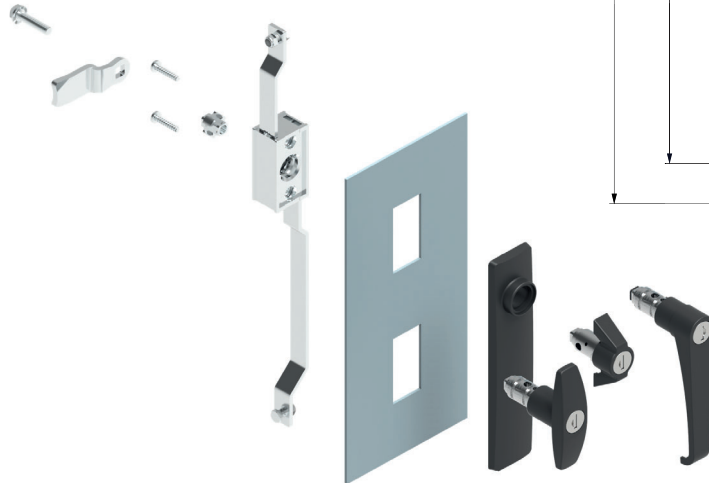
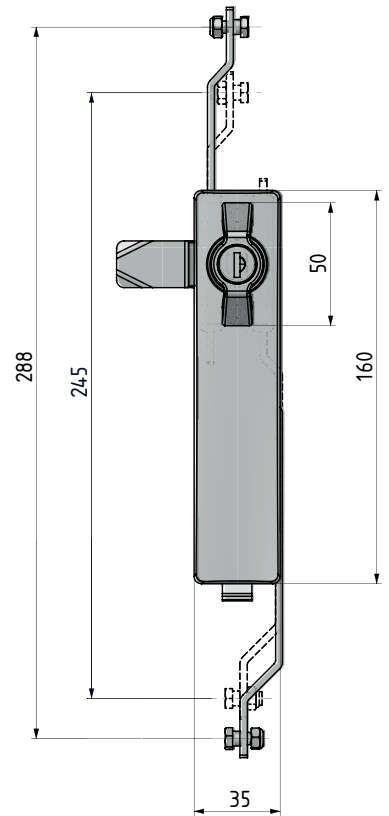
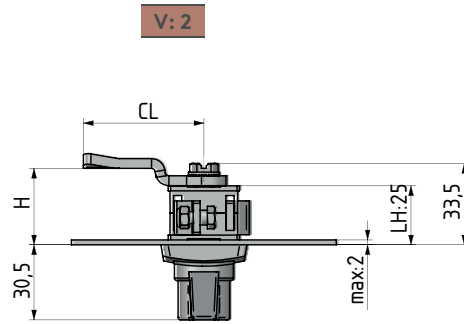
 For rods please check pages: 178 - 188



# ROD-LATCH SYSTEM

## THREE-POINT LOCK-WING KNOB

203



- Clip fixing for easy assembly
- Wing knob, T handle and L handle available with three point locking
- Optional blind version
- For doors with standard swinghandle cut out

### MATERIAL

BODY: PA6 GFR 30  
 HANDLE: Zamak or PA6 GFR 30  
 MECHANISM: Zamak DIN-EN 1774-ZnAl4Cu1  
 CAM: Steel  
 GASKET: Polyurethane

### CYLINDER TYPE



	DD
No Cylinder	00
Keyed alike (Stainless steel dust cap)	03
Keyed differ (Stainless steel dust cap)	32
Master system	04
Euro key (5333)	05
CH751 (Stainless steel dust cap)	07

No Cylinder '00'



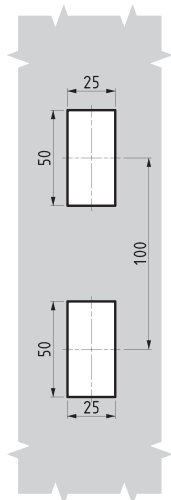
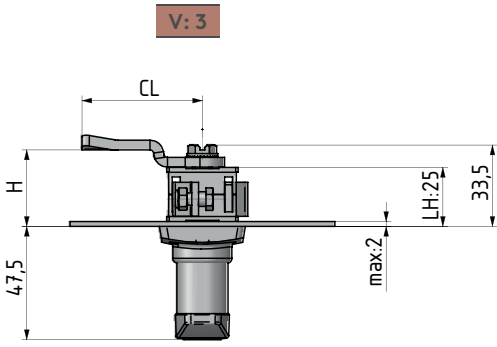
MATERIAL	M	FINISH	F
Zamak	1	Chrome plated	1
		Black coated	2
Plastic	2	No finish	0

DOOR DIRECTION	
Right hand	001
Left hand	002

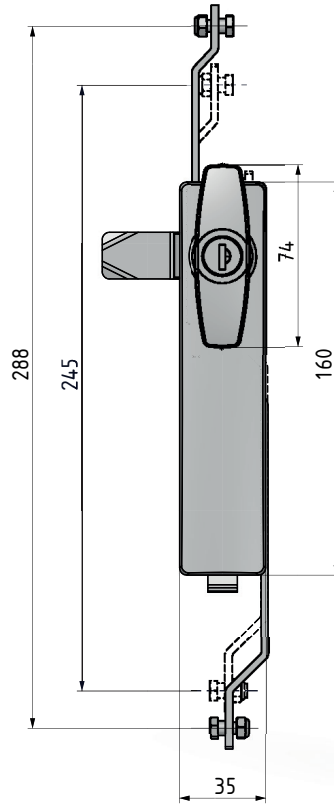
Group Code	Version	Handle	Body	Cylinder	Cam	Door Direction
203	V	M	F	2	0	DD

203

THREE-POINT LOCK-  
T HANDLE

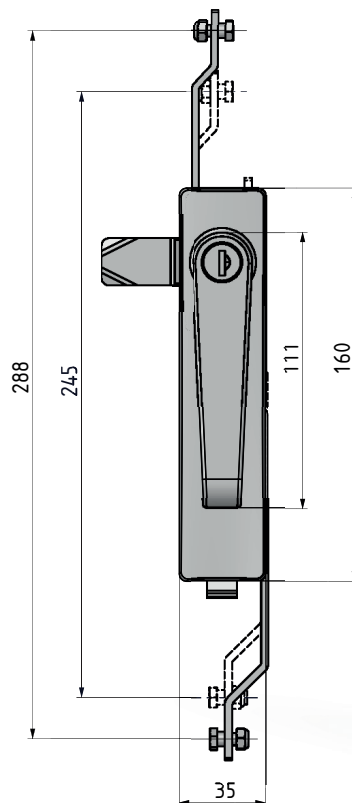
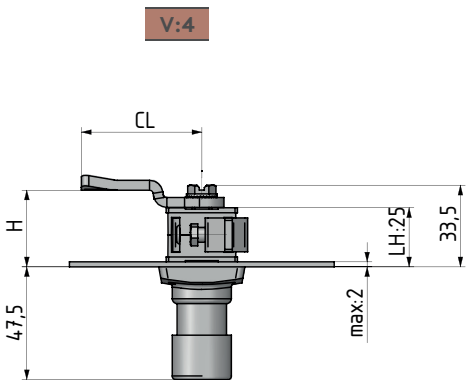


Cut Out



203

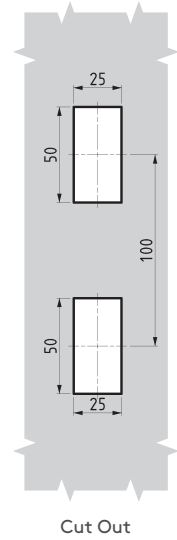
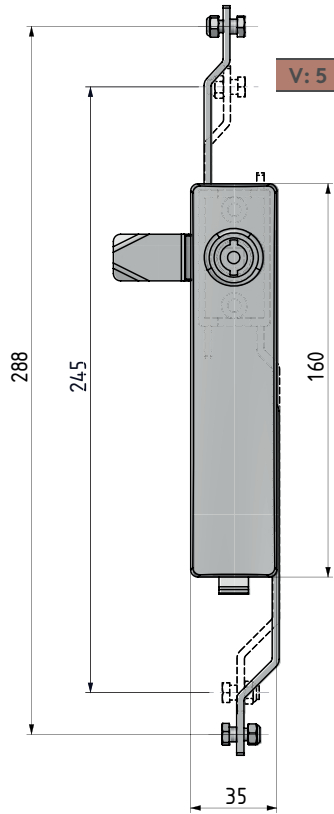
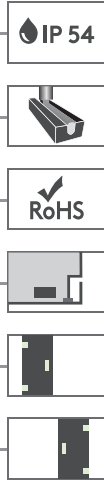
THREE POINT LOCK-  
L HANDLE



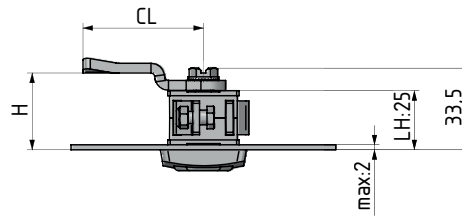
# ROD-LATCH SYSTEM

## THREE-POINT LOCK

203



Cut Out



- Clip fixing for easy assembly
- Integral gear-box for three-point locking

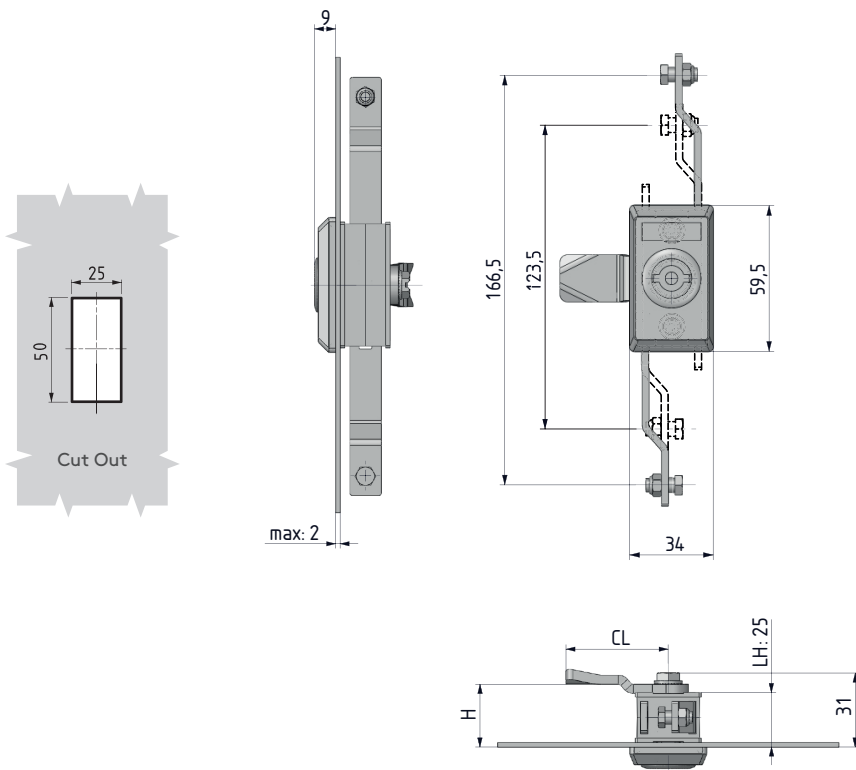
**MATERIAL**  
 BODY: PA6 GFR 30  
 MECHANISM: Zamak DIN-EN 1774-ZnAl4Cu1  
 CAM: Steel  
 GASKET: Polyurethane

- For cams please check pages: 170 - 171
- For rods please check pages: 178 - 188
- For keys please check pages: 189 - 191

DRIVERS		
5 mm Double bit	8 mm Square	9 mm Triangular
15	28	39

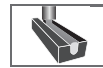
DOOR DIRECTION	
Right hand	001
Left hand	002

Group Code	Version	Driver	Cam	Door Direction
203	5	DD	CC	



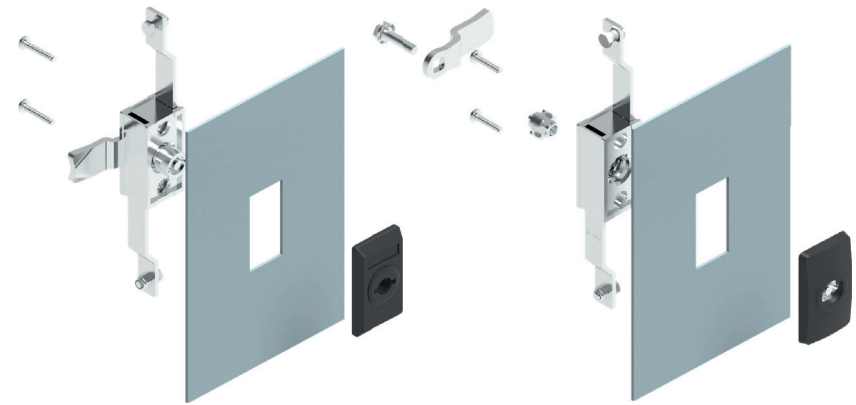
003

THREE-POINT LOCK



103

THREE-POINT LOCK



DRIVERS		
5 mm Double bit	8 mm Square	9 mm Triangular
15	28	39

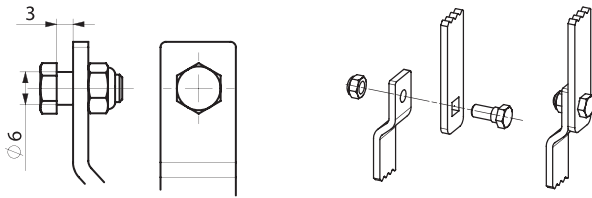
DOOR DIRECTION	
Right hand	001
Left hand	002

Group Code	Driver	Cam	Door Direction
003	DD	CC	

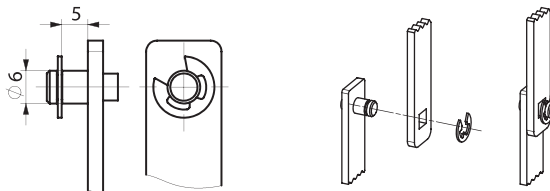
Group Code	Version	Driver	Cam	Door Direction
103	5	DD	CC	

- For cams please check pages: 170 - 171
- For rods please check pages: 178 - 188
- For keys please check pages: 189 - 191

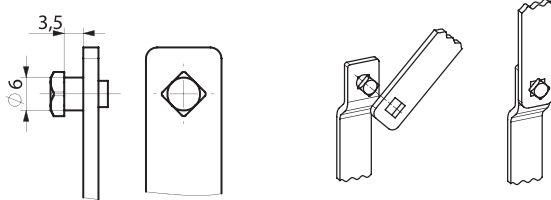
**M : 1** Stepped bolt



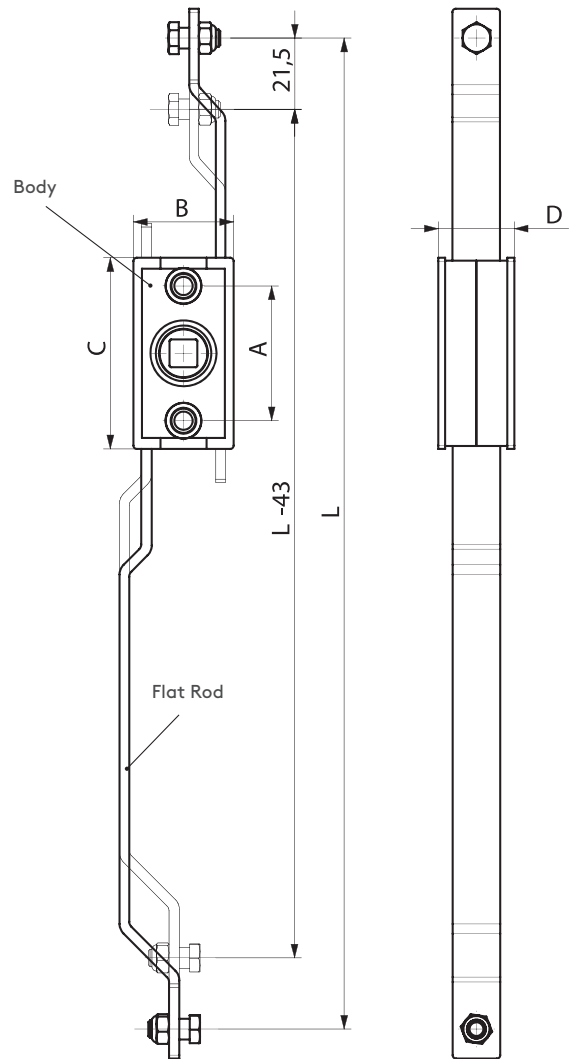
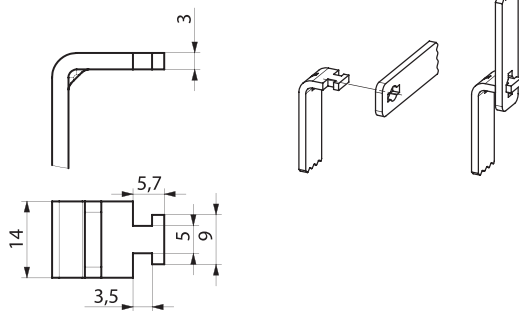
**M : 2** With snap ring



**M : 3** Square riveted



**M : 4** 'T'- tipped



L mm
217
278
288
347
166
125

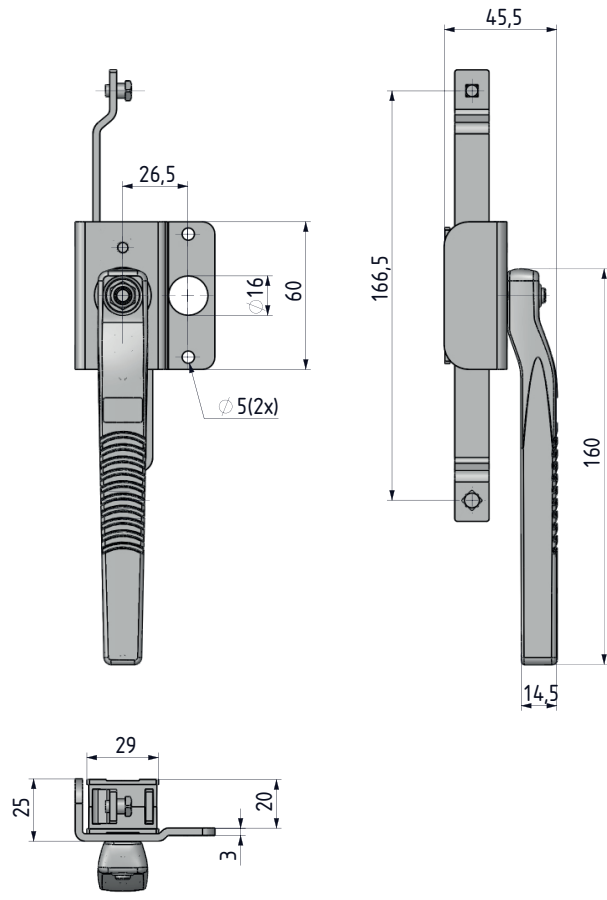


Group Code	Version	Length	Flat Rod Mounting
4001	V	L	M

V	MECHANISM		A	B	C	D
	Body	Flat rod				
1	Zamak	Steel	39	29	55	22
2	Plastic	Steel	39	29	55	22
3	Zamak (with Stopper)	Steel	39	29	55	22
4	Stainless steel	Stainless steel	39	29	55	22
5	Zamak (D: 19mm)	Stainless steel	39	27	55	19
6	Zamak (A: 38 mm)	Stainless steel	39	29	55	22

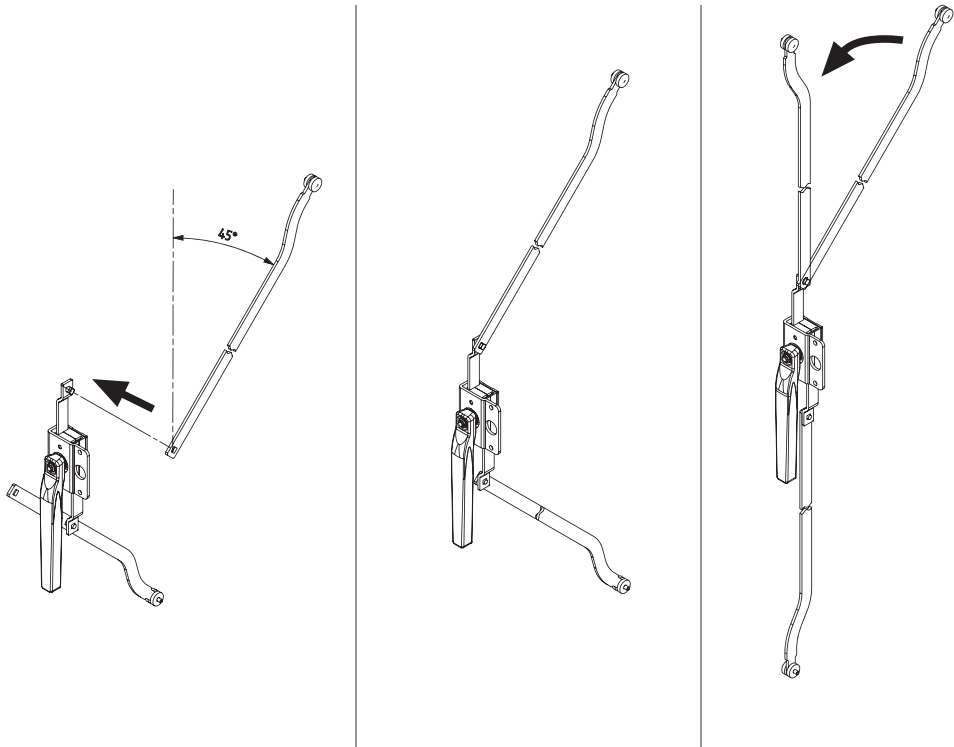
INTERNAL LOCKING SYSTEM

03030



- For double-door cabinets to lock single door from inside

**MATERIAL**  
 HANDLE: Zamak DIN-EN 1774-ZnAl4Cu1  
 MECHANISM: Zamak DIN-EN 1774-ZnAl4Cu1



For cams please check pages: 170 - 171  
 For rods please check pages: 178 - 188







90-92



93



94



95



96



97



98



99



100-105



106



109



110



111



112-113



114



115



# HEAVY-DUTY LOCKS

88-115

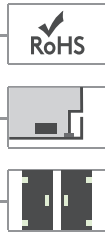


**mesan**  
ESSENTA COMPONENTS

# HEAVY-DUTY LOCKS

## PUSH-TO-CLOSE LOCK

016



V:1

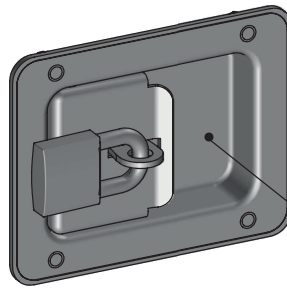
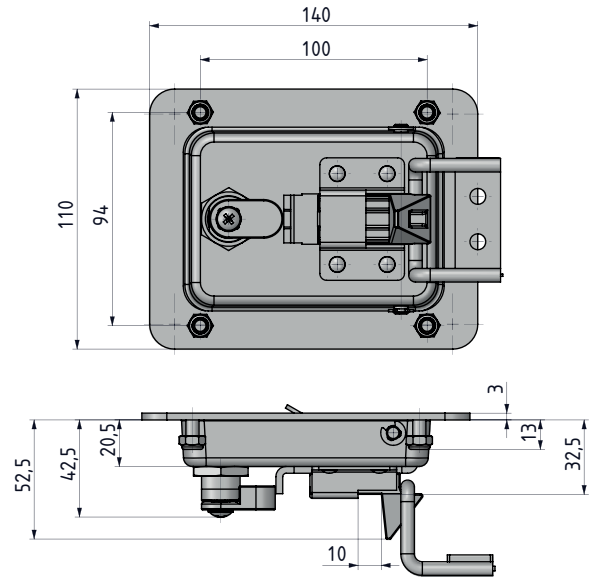
- Stainless steel version: page 454
- Slam-shut operation
- Brass cam
- Striking plate required
- Can open from inside by moving cam

### MATERIAL

BODY: Steel  
HANDLE: Steel  
CAM: Brass  
SCREW: Stainless steel  
GASKET: Polyurethane

### FINISH

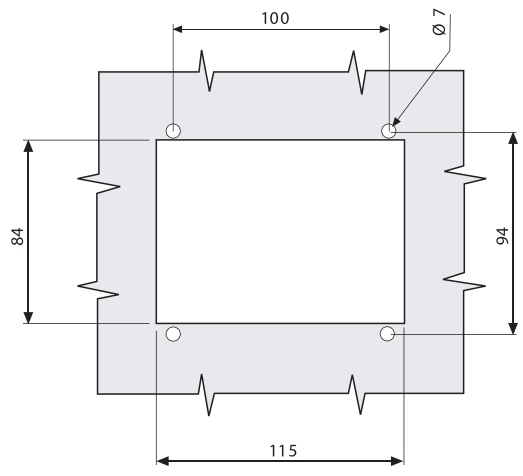
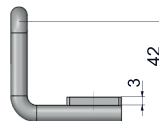
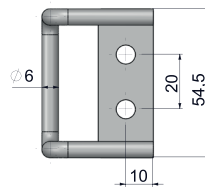
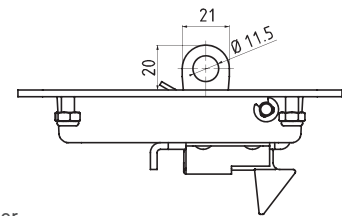
Black Coated



1

Padlock application

No cylinder



## CAM STRIKING PLATE

016 A71



- Striking plate
- Custom sizes available

### MATERIAL

Steel

### FINISH

Zinc plated

SPECIFICATIONS		DD
No cylinder		00
Stainless steel dust cap (Keyed alike)		03
Stainless steel dust cap (Keyed differ)		32

MATERIAL	M	FINISH	F
Steel	6	Black Coated	2

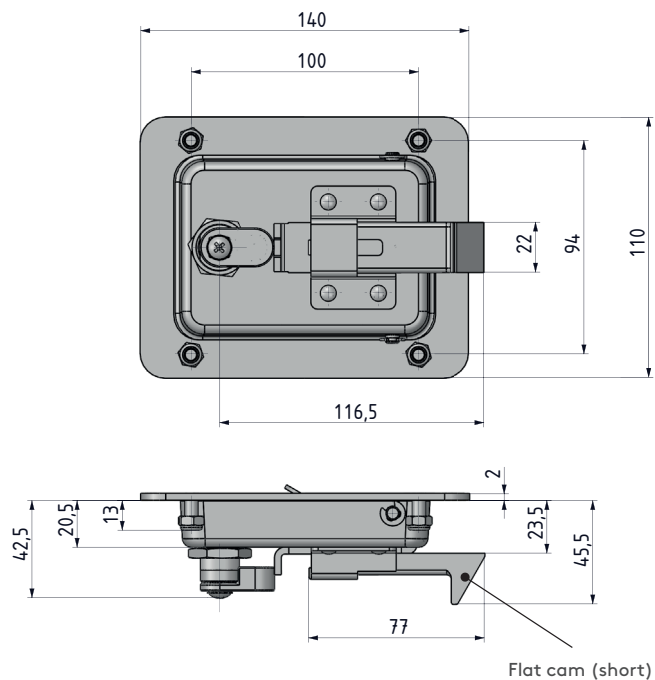
Group Code	Material	Finish	Cylinder	Version	Padlock *
016	6	2	DD	V	

\*: add "1" for padlock application

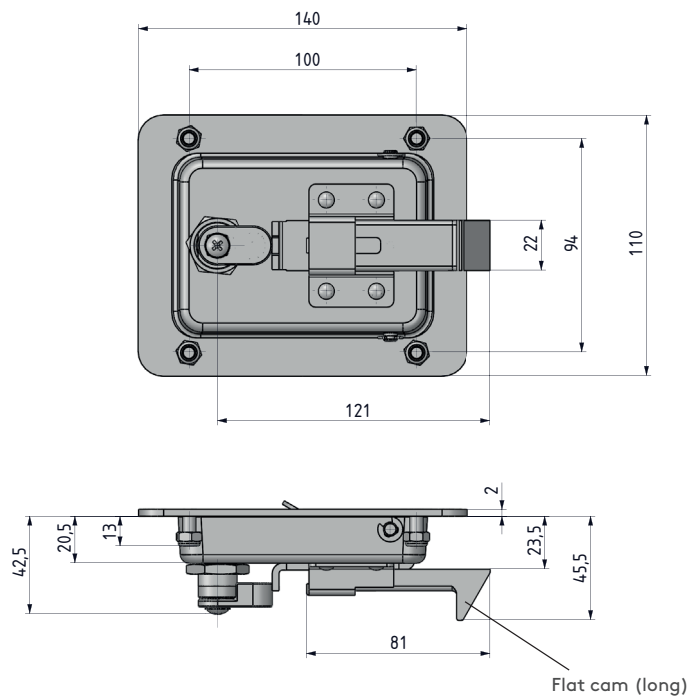
016

PUSH-TO-CLOSE LOCK

V: 2



V: 3



- Two types of die-cast zinc cams
- No locking device needed
- Can open from inside by moving cam

**MATERIAL**

BODY: Steel  
 HANDLE: Steel  
 CAM: Zamak DIN-EN  
 1774-ZnAl4Cu1  
 SEAL: Polyurethane

**FINISH**

Black coated

# HEAVY-DUTY LOCKS

## PUSH-TO-CLOSE LOCK

016



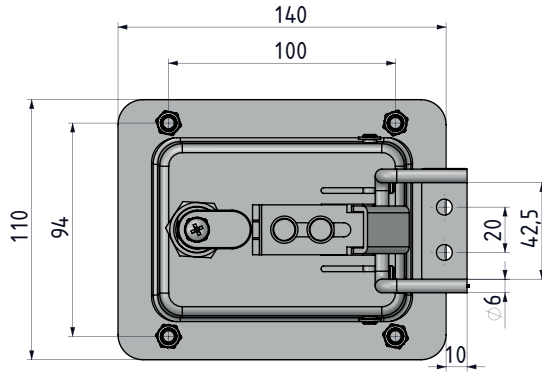
- Slam-shut operation with steel cam
- Can open from inside by moving cam

### MATERIAL

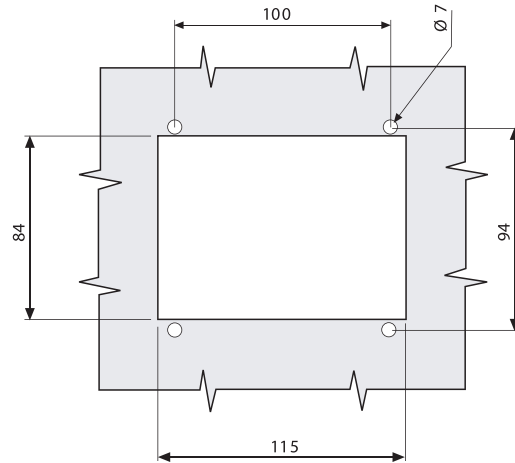
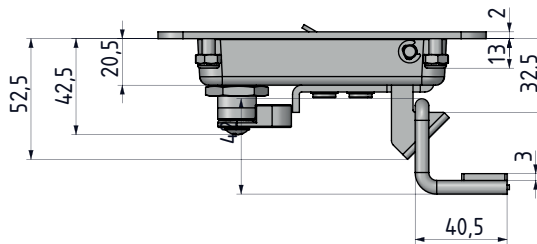
BODY: Steel  
 HANDLE: Steel  
 CAM: Steel  
 SCREW: Stainless steel  
 GASKET: Polyurethane

### FINISH

Black Coated



V: 4



Cut Out

## CAM STRIKING PLATE

016 A71



- Striking plate
- Custom sizes available

### MATERIAL

Steel

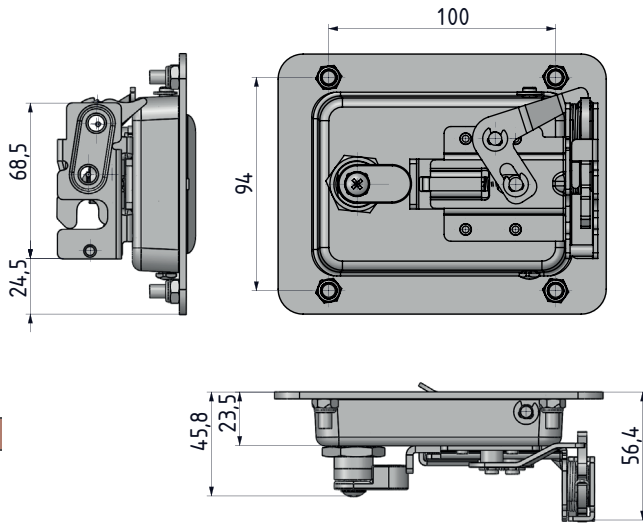
### FINISH

Zinc plated

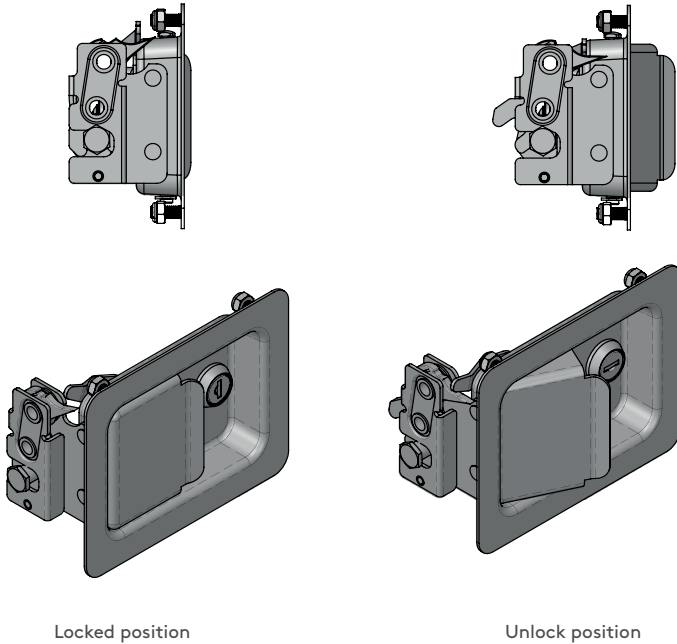
SPECIFICATIONS		DD
No cylinder		00
Stainless steel dust cap (Keyed alike)		03
Stainless steel dust cap (Keyed differ)		32

MATERIAL	M	FINISH	F
Steel	6	Black Coated	2

Group Code	Material	Finish	Cylinder	Version
016	6	2	DD	4



V: 5



Locked position

Unlock position

016

PUSH-TO-CLOSE LOCK



- Padlatch with integrated Rotary Latch
- Slam-shut operation
- Striker bolt is required
- Can open from inside by moving cable

**MATERIAL**

BODY: Steel  
 HANDLE: Steel  
 CAM: Zamak DIN-EN 1774-ZnAl4Cu1  
 SEAL: Polyurethane  
 ROTARY LATCH: Steel

SB.1

STRIKER BOLT (MINI)



**MATERIAL**  
 BODY: Steel

**FINISH**  
 Zinc Plated

SPECIFICATIONS		DD
No cylinder		00
Stainless steel dust cap (Keyed alike)		03
Stainless steel dust cap (Keyed differ)		32

MATERIAL	M	FINISH	F
Steel	6	Black Coated	2

Group Code	Material	Finish	Cylinder	Version	Padlock *
016	6	2	DD	5	

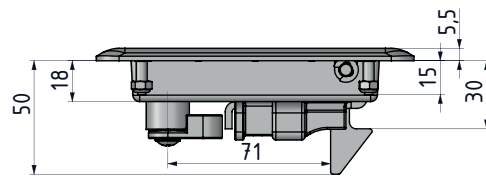
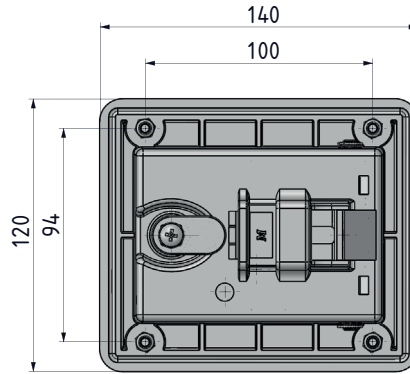
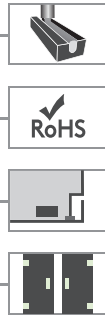
\*: add "1" for padlock application

 For Cables & Cable Accessories page: 158- 159

# HEAVY-DUTY LOCKS

## PUSH-TO-CLOSE LOCK

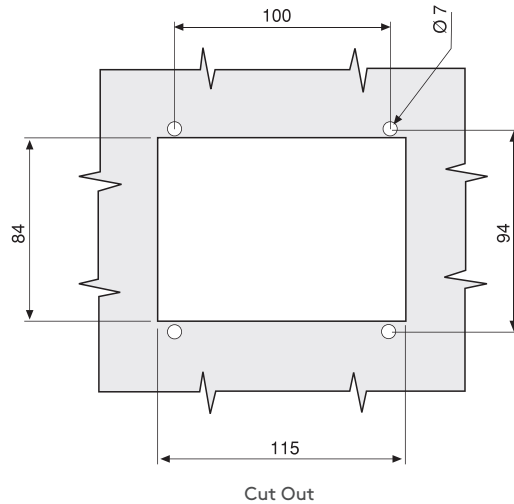
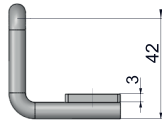
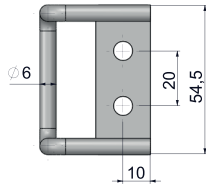
016



- Slam-shut operation
- Brass cam
- Striking plate required
- Can open from inside by moving cam

### MATERIAL

BODY: Polyamid DIN-EN ISO 1043-1 PA6 GFR 30  
CAM: Brass or Delrin



## CAM STRIKING PLATE

016 A71



- Striking plate
- Custom sizes available

### MATERIAL

Steel

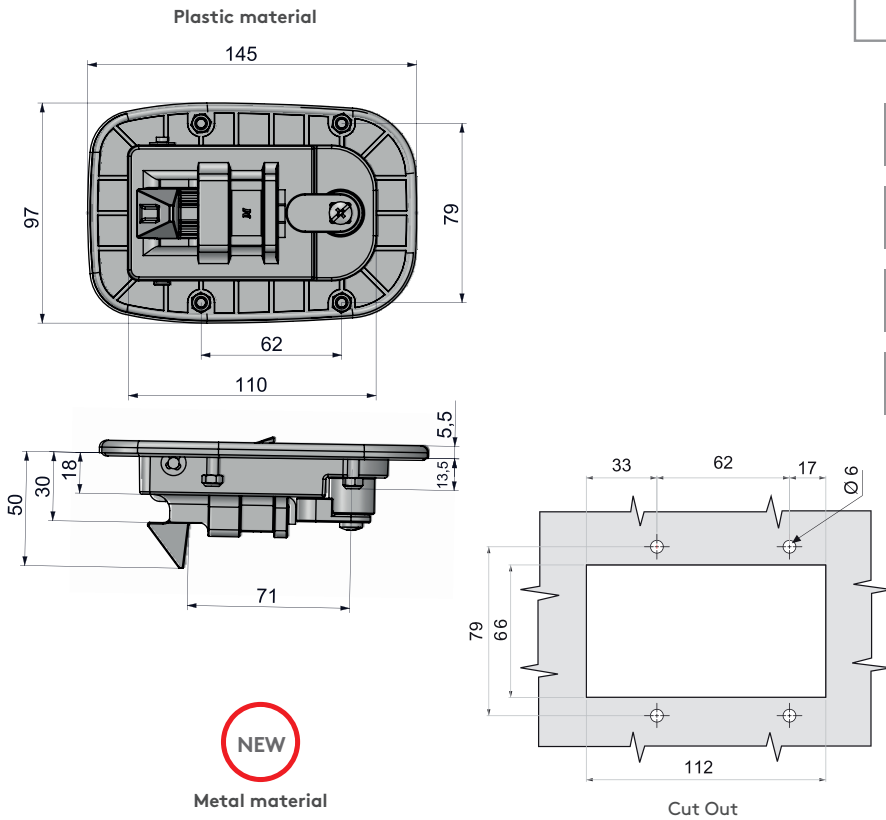
### FINISH

Zinc plated

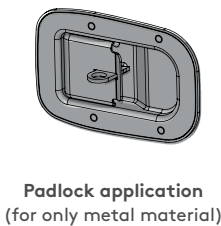
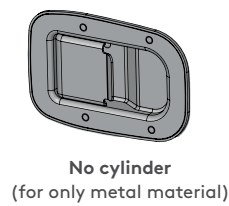
CYLINDER TYPE	DD
Stainless steel dust cap (Keyed alike)	03
Stainless steel dust cap (Keyed differ)	32

CAM	CC
Brass	01
Plastic	02

Group Code	Material	Finish	Cylinder	Cam
016	2	0	DD	CC



**Metal material**



**216**

**PUSH-TO-CLOSE LOCK**



- Slam-shut operation
- Brass cam
- Striking plate required
- Can open from inside by moving cam

**MATERIAL**

**BODY:** Steel or Polyamide DIN-EN ISO 1043-1 PA6 GFR 30  
**CAM:** Brass or Delrin

**016 A71**

**CAM STRIKING PLATE**



- Striking plate
- Custom sizes available

**MATERIAL**

Steel

**FINISH**

Zinc plated

MATERIAL	M	FINISH	F
Steel	6	Black coated	2
Plastic	2	No finish	0

CYLINDER TYPE	DD
No cylinder	00
Stainless steel dust cap (Keyed alike)	03
Stainless steel dust cap (Keyed differ)	32

CAM	CC
Brass	01
Plastic	02

Group Code	Material	Finish	Cylinder	Cam	Asma Kilit *
<b>216</b>	<b>M</b>	<b>F</b>	<b>DD</b>	<b>CC</b>	

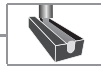
\*: add "1" for padlock application



# HEAVY-DUTY LOCKS

## PUSH-TO-CLOSE LOCK

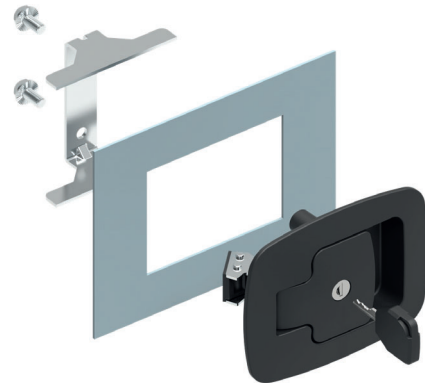
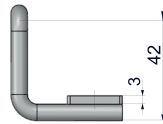
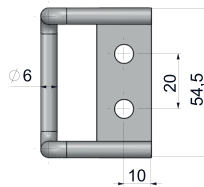
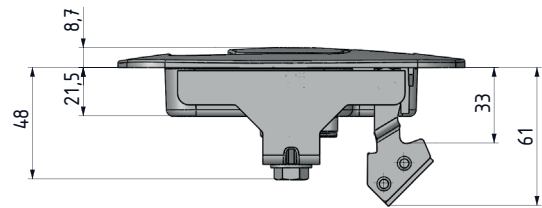
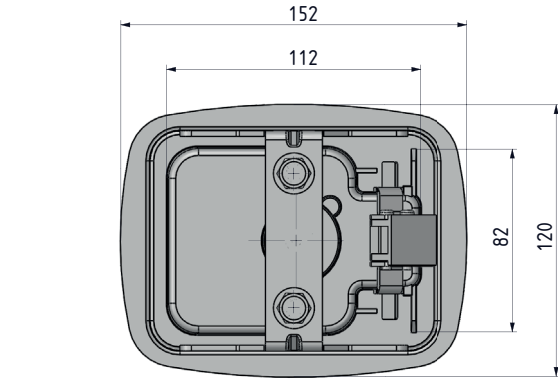
**316**



- Slam shut operation. Steel cam.
- Striking plate is needed
- Lock can be opened from inside by moving cam. .

**MATERIAL**

BODY: Polyamid DIN-EN ISO 1043-1 PA6 GFR 30  
 CAM: Steel



## CAM STRIKING PLATE

**016 A71**



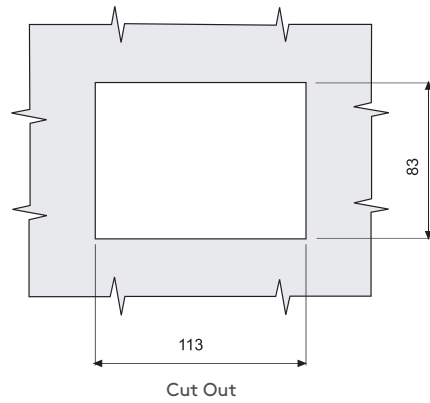
- Striking plate
- Custom sizes available

**MATERIAL**

Steel

**FINISH**

Zinc plated

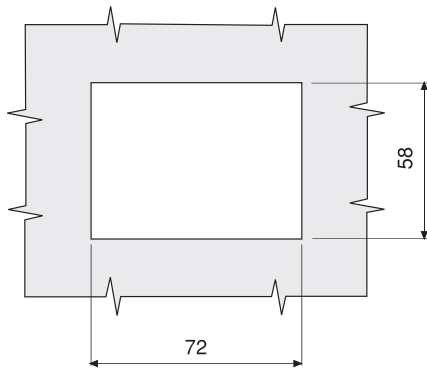
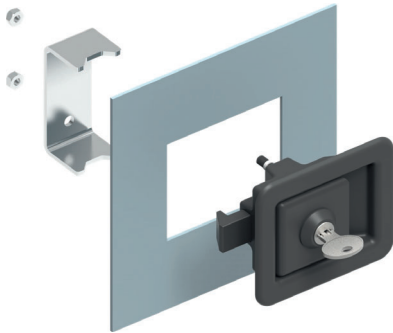
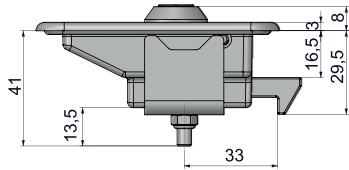
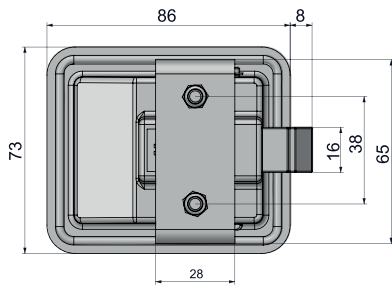


SPECIFICATIONS		DD
Stainless steel dust cap (Keyed alike)		03

Group Code	Material	Finish	Cylinder	Cam
316	2	0	03	01

**116**

## MINI PUSH-TO-CLOSE LOCK



Cut Out



- Delrin cams
- No locking device needed
- Can open from inside by moving cam

### MATERIAL

**BODY:** Polyamid DIN-EN ISO 1043-1 PA6 GFR 30  
**HANDLE:** Zamak DIN-EN 1774-ZnAl4Cu1  
**CAM:** Delrin  
**MOUNTING BRACKET:** Steel

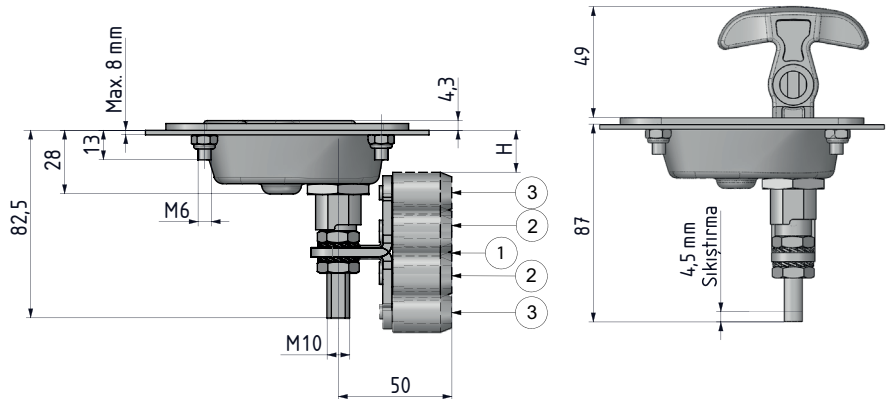
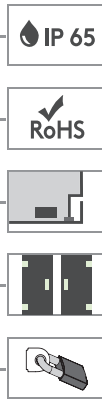
SPECIFICATIONS		DD
No cylinder		00
Keyed alike		01

Group Code	Cylinder
<b>116</b>	<b>DD</b>

# HEAVY-DUTY LOCKS

## T HANDLE HEAVY-DUTY LOCK

214



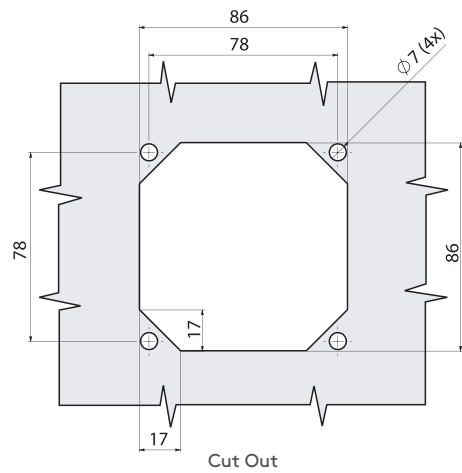
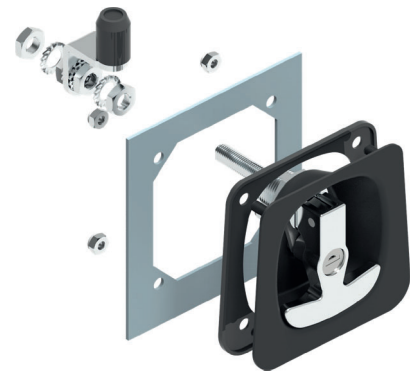
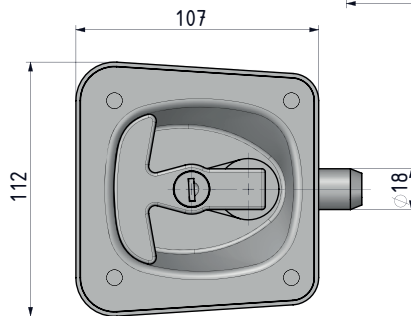
- Advanced sealing with compression
- Adjustable grip is possible
- Easy fixing with roller cam
- with/without padlock options

### MATERIAL

BODY: Steel  
HANDLE: Zamak DIN-EN 1774-ZnAl4Cu1  
CAM: Steel  
SCREW: Stainless steel  
SEAL: Polyurethane

### FINISH

BODY: Black coated  
HANDLE: Chrome or black coated



CAM	Stock Code	CC	Position	H: GRIP	
				min	max
①	214C01	01	Up	35	54
			Down	57	72
②	214C02	02	Up	35	50
			Down	63	78
③	214C03	03	Up	20	35
			Down	75	90



Padlock application

SPECIFICATIONS		DD
No cylinder		00
Stainless steel dust cap (Keyed alike)		03
Stainless steel dust cap (Keyed differ)		32
Euro key (5333)		05
CH751 (Stainless steel dust cap)		07

FINISH		F
Chrome plated		1
Black coated		2

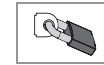
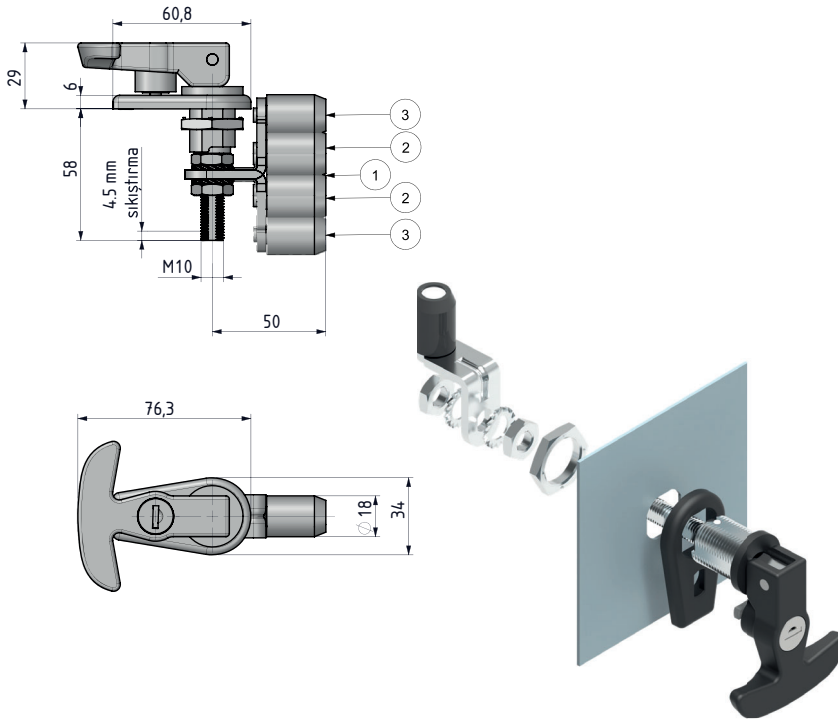
Group Code	Handle	Cylinder	Cam	Padlock*
214	1	F	DD	CC

\*: add "1" for padlock application

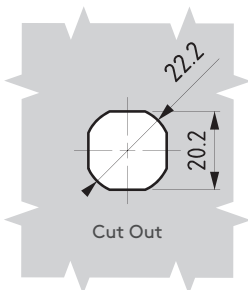


214

T HANDLE HEAVY-DUTY LOCK



- Advanced sealing with compression
- Adjustable grip is possible
- Easy fixing with roller cam
- with/without padlock options



CAM	Stock Code	CC	Position	H: GRIP	
				min	max
①	214C01	01	Up	20	35
			Down	72	87
②	214C02	02	Up	35	50
			Down	57	72
③	214C03	03	Up	38,5	54
			Down	54	69

### MATERIAL

HOUSING: Zamak DIN-EN 1774-ZnAl4Cu1

HANDLE: Zamak DIN-EN 1774-ZnAl4Cu1

CAM: Steel

SEAL: Polyurethane

### FINISH

BODY: Black coated

HANDLE: Chrome or black coated

SPECIFICATIONS	DD
No cylinder	00
Stainless steel dust cap (Keyed alike)	03
Stainless steel dust cap (Keyed differ)	32
Euro key (5333)	05
CH751 (Stainless steel dust cap)	07

FINISH	F
Chrome plated	1
Black coated	2

Group Code	Version	Handle	Housing	Cylinder	Cam	Padlock*
214	2	1 F	1 F	DD	CC	

\*: add "1" for padlock application

014

VERSIONS

**V:1** **V:6**

**Adjustable roller cam**

Roller cam

Grip adjustment system

Grip adjusted by rotating the main screw between 10 - 60 mm  
40 - 80 mm

Set screw

To adjust the grip, first loosen the set screw. Then screw again for fixing

**V:2**

**Fixed cam**

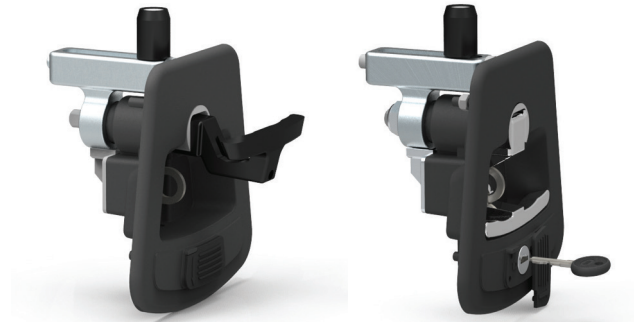
Standard Grip (H) is 60 mm;  
for different grip ranges contact  
Essentra Components

**V:3** **V:4** **V:5**

**Espagnolette cam** **Espagnolette cam and adjustable roller cam** **Espagnolette cam and fixed cam**

two-point locking three-point locking three-point locking

GENERAL FEATURES



**Ergonomic T handle**

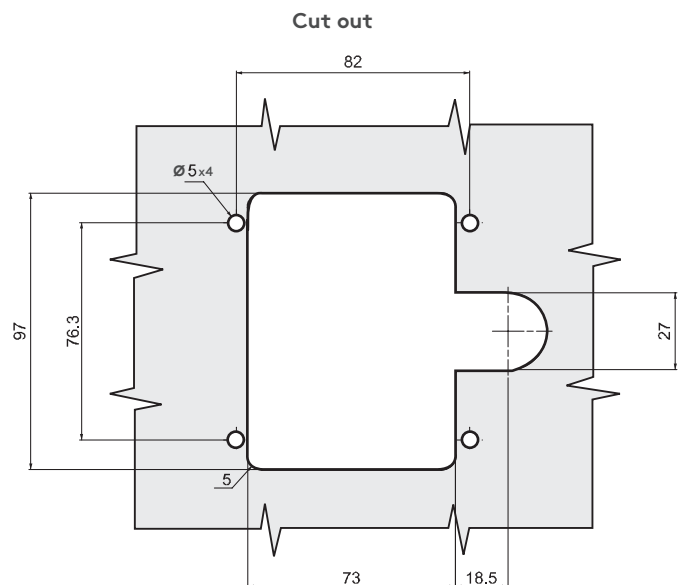
Black coated or chrome plated

**Cylinder locking system**

Stainless steel dust cap (Keyed alike or Keyed differ)

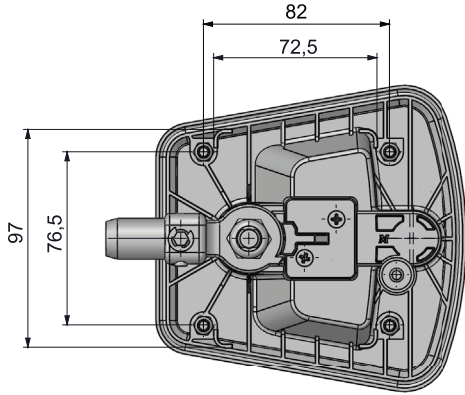
**Padlockable**  
Max. hasp dia 9 mm

**Stud or hole option**  
M5 stud or rivet

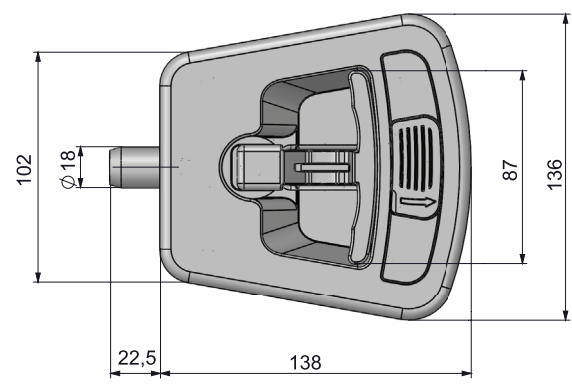






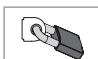
## 014 T HANDLE HEAVY-DUTY LOCK

Adjustable roller cam



**NEW**



-  IP 65
- 
-  RoHS
-  L | R
- 



- Single-point locking
- 10 - 60 or 40 - 80 mm grip range
- Easy fixing with roller cam
- Provides sealing with compression property
- Option to use with or without padlock
- Use rivets or bolts for fixing
- Can be supplied without cylinder

**MATERIAL**  
**BODY:** Polyamid DIN-EN ISO 1043-1PA6 GFR 30  
**HANDLE:** Zamak DIN-EN 1774-ZnAl4Cu1

**FINISH**  
**HANDLE:** Chrome or black coated

SPECIFICATIONS	DD	FINISH	F	OPTION	O
Stainless steel dust cap (Keyed alike)	03	Chrome Plated	1	Hole	0
Stainless steel dust cap (Keyed differ)	32	Black Coated	2	Stud	1
CH751 ( Stainless steel dust cap )	07				

Group Code	Version	Handle	Cylinder	Option
014	V	1	F	DD

# HEAVY-DUTY LOCKS

## T HANDLE HEAVY-DUTY LOCK

**014**



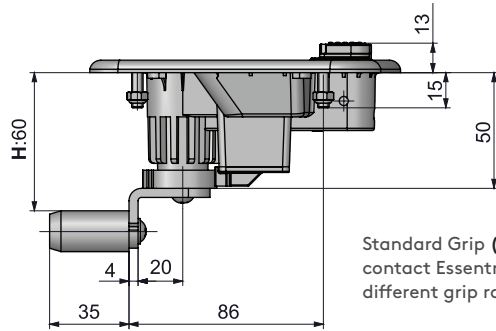
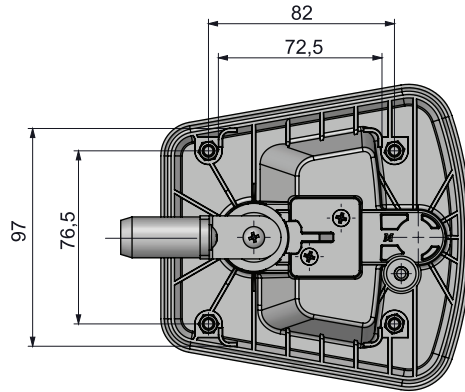
- IP 65
- RoHS
- L | R
- 

- Fixed grip
- Single-point locking
- Easy fixing with roller cam
- Provides sealing with compression property
- Option to use with or without padlock
- Use rivets or bolts for fixing
- Can be supplied without cylinder

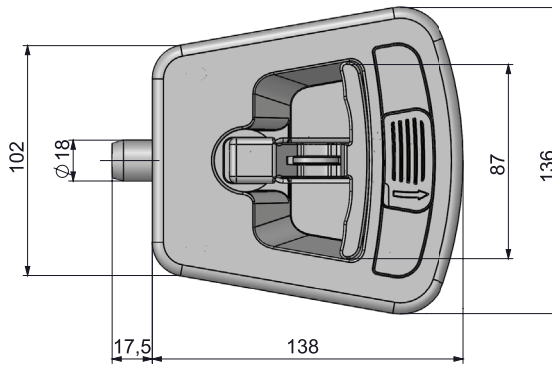
**MATERIAL**  
 BODY: Polyamid DIN-EN ISO 1043-1 PA6 GFR 30  
 HANDLE: Zamak DIN-EN 1774-ZnAl4Cu1

**FINISH**  
 HANDLE: Chrome or black coated

**V: 2**  
 Fixed cam



Standard Grip (H) is 60 mm;  
 contact Essentra Components for different grip ranges



SPECIFICATIONS		DD	FINISH		F	OPTION		O
Stainless steel dust cap (Keyed alike)		03	Chrome Plated	1	Hole		0	
Stainless steel dust cap (Keyed differ)		32	Black Coated	2	Stud		1	
CH751 ( Stainless steel dust cap )		07						

Group Code	Version	Handle	Cylinder	Grip	Option
014	2	1	F	DD	60

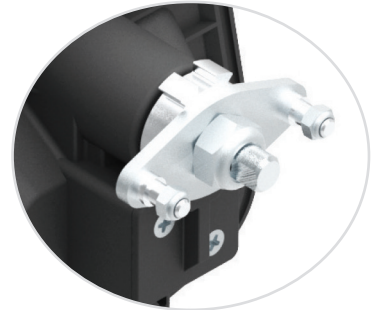
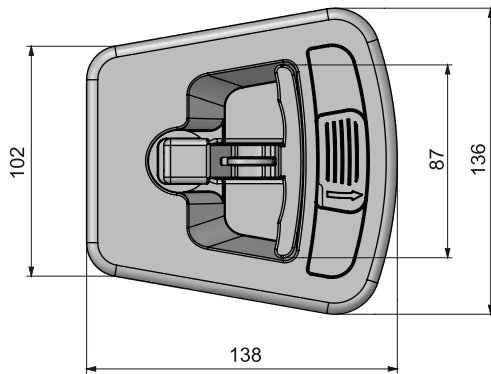
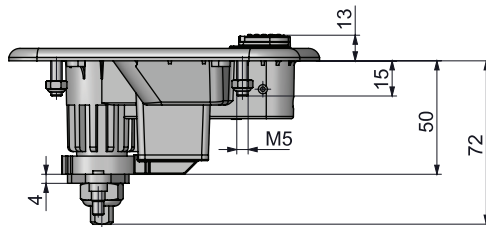
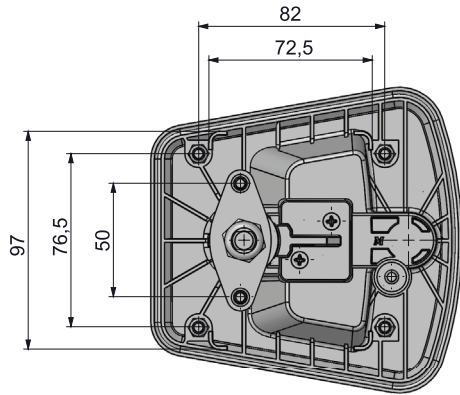


014

T HANDLE HEAVY-DUTY LOCK

V: 3

Espagnolette cam



- Two-point locking
- Option to use with or without padlock
- Use rivets or bolts for fixing
- Can be supplied without cylinder

**MATERIAL**

BODY: Polyamid DIN-EN ISO 1043-1PA6 GFR 30  
HANDLE: Zamak DIN-EN 1774-ZnAl4Cu1

**FINISH**

HANDLE: Chrome or black coated

SPECIFICATIONS	D	D	FINISH	F	OPTION	O
Stainless steel dust cap (Keyed alike)	03		Chrome Plated	1	Hole	0
Stainless steel dust cap (Keyed differ)	32		Black Coated	2	Stud	1
CH751 ( Stainless steel dust cap )	07					

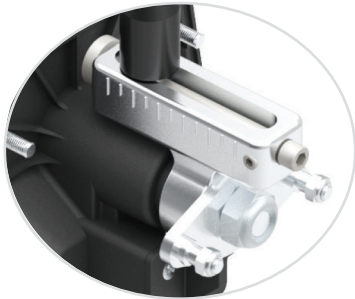
Group Code	Version	Handle	Cylinder	Option
014	3	1	F	DD



# HEAVY-DUTY LOCKS

## T HANDLE HEAVY-DUTY LOCK

**014**



- IP 65
- RoHS
- LIR
- 

- Three-point locking
- 10 - 60 mm grip range
- Easy fixing with roller cam
- Provides sealing with compression property
- Option to use with or without padlock
- Use rivets or bolts for fixing
- Can be supplied without cylinder

**MATERIAL**

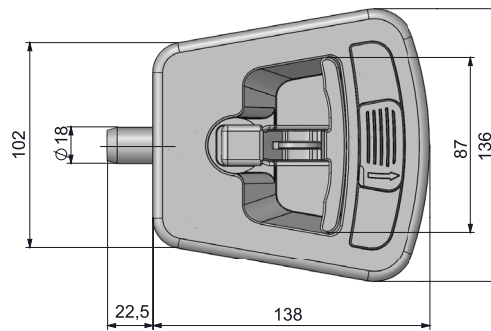
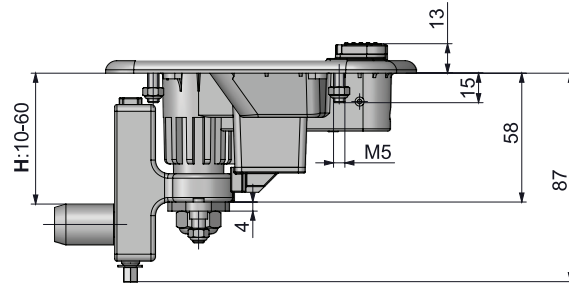
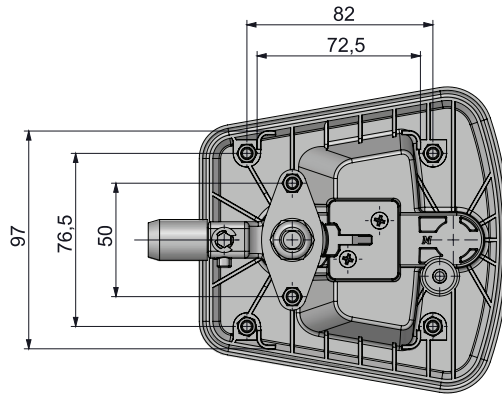
**BODY:** Polyamid DIN-EN ISO 1043-1 PA6 GFR 30  
**HANDLE:** Zamak DIN-EN 1774-ZnAl4Cu1

**FINISH**

**HANDLE:** Chrome or black coated

**V:4**

Espagnolette cam and adjustable roller cam



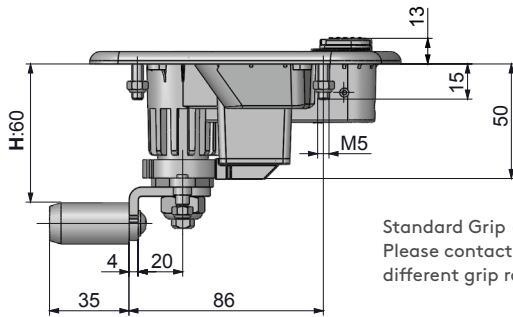
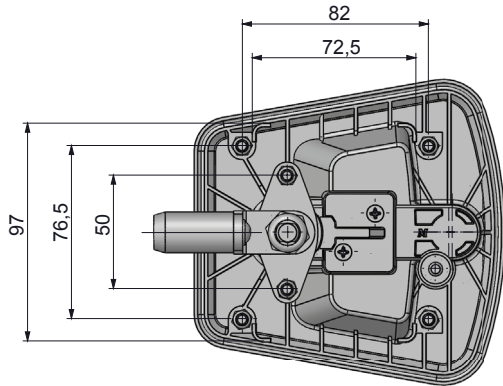
SPECIFICATIONS		DD	FINISH		F	OPTION		O
Stainless steel dust cap (Keyed alike)		03	Chrome Plated	1	Hole		0	
Stainless steel dust cap (Keyed differ)		32	Black Coated	2	Stud		1	
CH751 ( Stainless steel dust cap )		07						

Group Code	Version	Handle	Cylinder	Option
<b>014</b>	<b>4</b>	<b>1</b>	<b>F</b>	<b>DD</b>

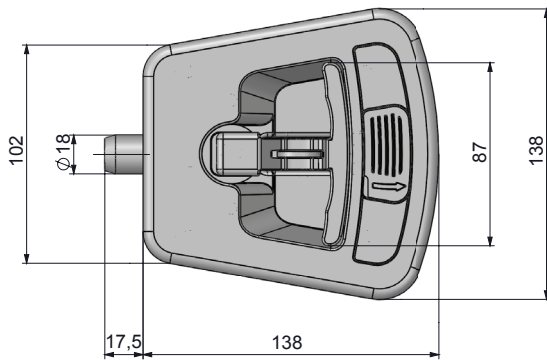


V:5

Espagnolette cam and fixed cam

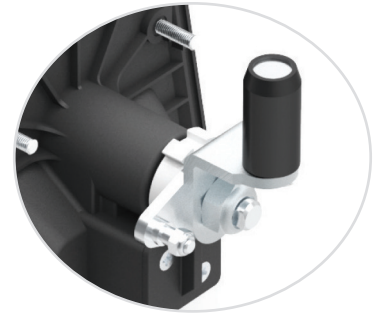


Standard Grip (H) is 60 mm  
Please contact Essentra Components for different grip ranges



014

T HANDLE HEAVY-DUTY LOCK



- Fixed Grip
- Three-point locking
- Easy fixing with roller cam
- Provides sealing with compression property
- Option to use with or without padlock
- Use rivets or bolts for fixing
- Can be supplied without cylinder

**MATERIAL**

BODY: Polyamid DIN-EN ISO 1043-1 PA6 GFR 30  
HANDLE: Zamak DIN-EN 1774-ZnAl4Cu1

**FINISH**

HANDLE: Chrome or black coated

SPECIFICATIONS	DD	FINISH	F	OPTION	O
Stainless steel dust cap (Keyed alike)	03	Chrome Plated	1	Hole	0
Stainless steel dust cap (Keyed differ)	32	Black Coated	2	Stud	1
CH751 (Stainless steel dust cap)	07				

Group Code	Version	Handle	Cylinder	Grip	Option
014	5	1	F	DD	60

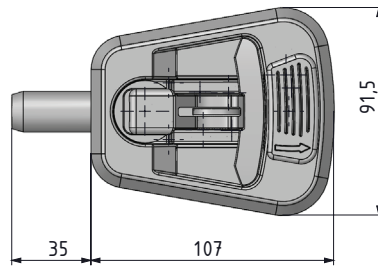
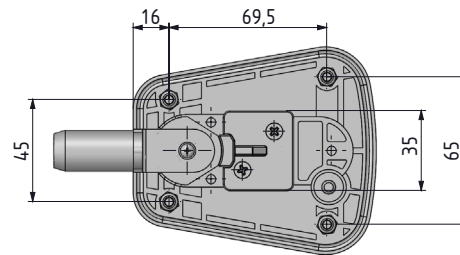
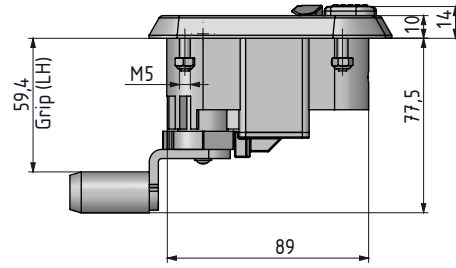
# HEAVY-DUTY LOCKS

## MINI 'T' HANDLE CABINET LOCK

114



- 1- Double security
- 2- Cylinder locking system
- 3- Sliding dust cap



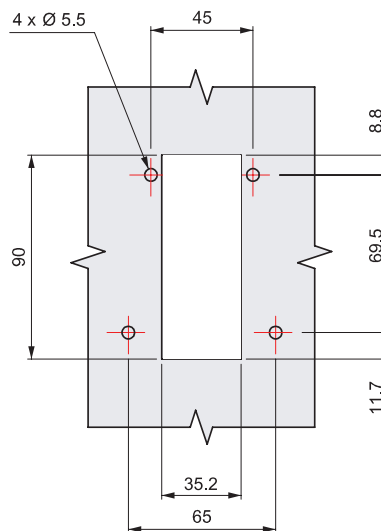
V:2

Stud version

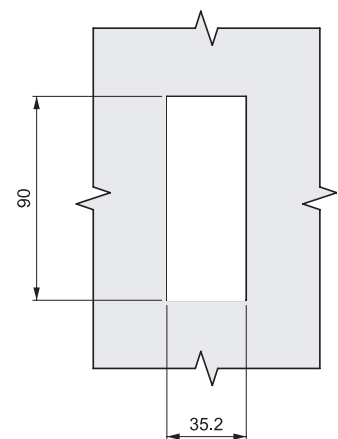


V:3

Stud version



Cut Out  
V2 - V3

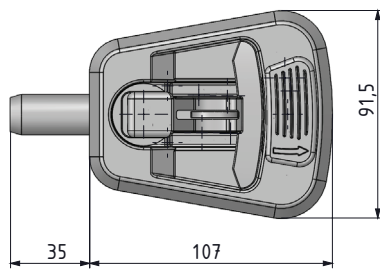
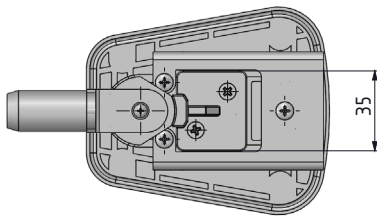
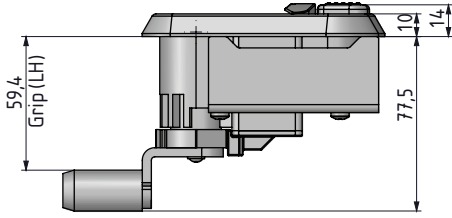


Cut Out  
V1



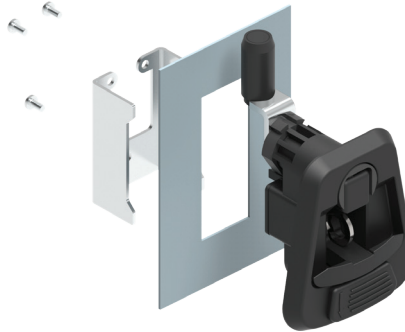
114

MINI 'T' HANDLE CABINET LOCK



V:1

Bracket version



- Single point locking
- Easy locking by the roller cam
- 4 mm compression
- Optionally used with or without padlock.
- Fixing is possible by rivets, bolts or bracket
- Can be supplied without cylinder.
- Fixed grip
- Please contact us for different grip (LH)

**MATERIAL**

BODY: Polyamid DIN-EN ISO 1043-1 PA6 GFR 30  
 HANDLE: Zamak DIN-EN 1774-ZnAl4Cu1  
 CYLINDER: Zamak DIN-EN 1774-ZnAl4Cu1

**FINISH**

HANDLE: Chrome or black coated

SPECIFICATIONS		DD
Stainless steel dust cap (Keyed alike)	03	
Stainless steel dust cap (Keyed differ)	32	
CH751 ( Stainless steel dust cap )	07	

FINISH		F
Chrome Plated	1	
Black Coated	2	

Group Code	Version	Handle	Cylinder	Cam
114	V	1	F DD	01

# HEAVY-DUTY LOCKS

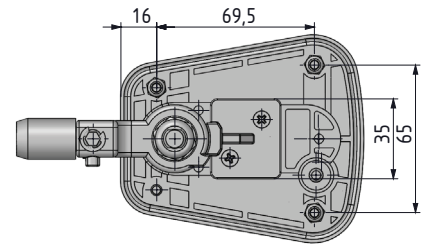
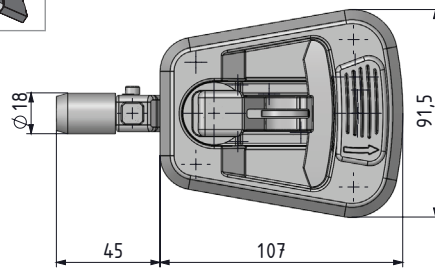
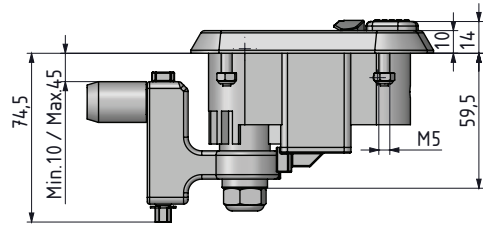
## MINI 'T' HANDLE CABINET LOCK

**114**



**V: 4**

Adjustable roller cam



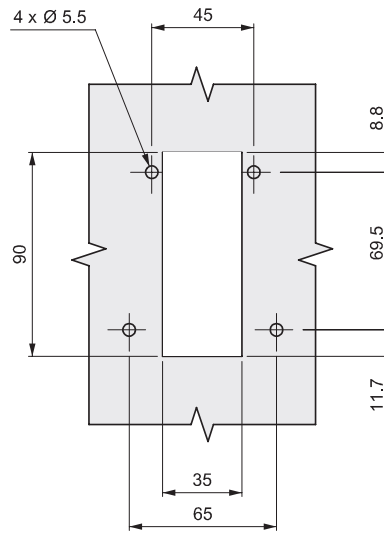
- Single-point locking
- 10 - 45 mm grip range
- Easy fixing with roller cam
- Provides sealing with compression property
- Option to use with or without padlock
- Use rivets or bolts for fixing
- Can be supplied without cylinder

**MATERIAL**

**BODY:** Polyamid DIN-EN ISO 1043-1PA6 GFR 30  
**HANDLE:** Zamak DIN-EN 1774-ZnAl4Cu1

**FINISH**

**HANDLE:** Chrome or black coated



Cut Out

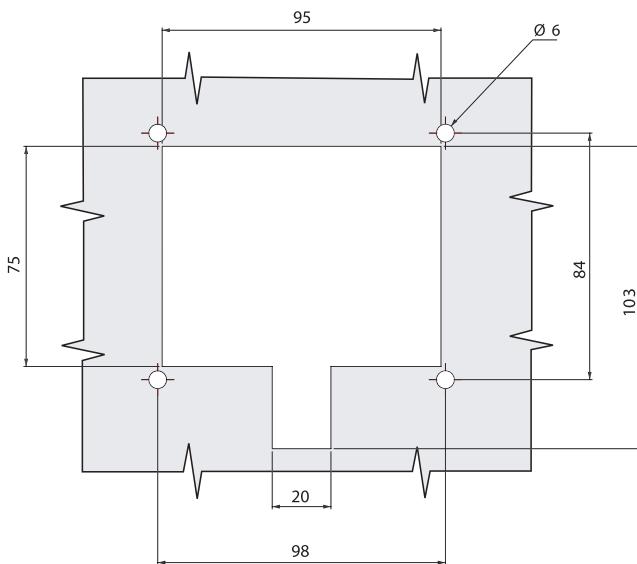
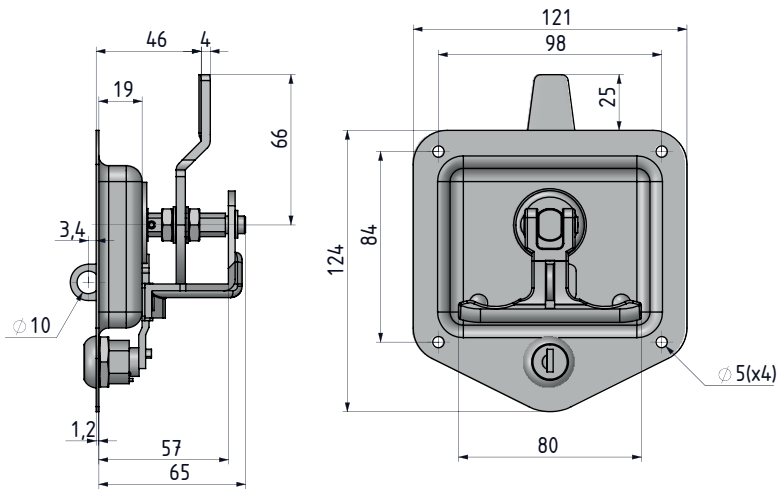


SPECIFICATIONS		DD
Stainless steel dust cap (Keyed alike)		03
Stainless steel dust cap (Keyed differ)		32
CH751 ( Stainless steel dust cap )		07

FINISH		F
Chrome Plated		1
Black Coated		2

OPTION		O
Hole		0
Stud		1

Group Code	Version	Handle	Cylinder	Option
114	4	1	F	DD



Cut Out

**315**

**T HANDLE HEAVY-DUTY LOCK**



- Suitable for special equipment cases
- Adjustable cam for wide grip range
- Maximum padlock shackle diameter 9 mm

**MATERIAL**

**BODY:** Stainless steel  
**HANDLE:** Zamak DIN-EN 1774-ZnAl4Cu1  
**PADLOCK HASP:** Stainless steel  
**CAM:** Steel



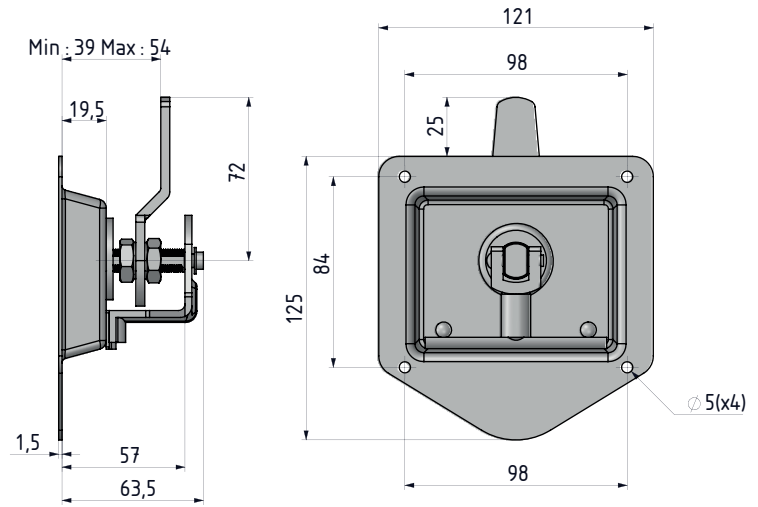
SPECIFICATIONS		D D
Stainless steel dust cap (Keyed alike)		03
Stainless steel dust cap (Keyed differ)		32

Group Code	Material	Finish	Cylinder
<b>315</b>	<b>4</b>	<b>0</b>	<b>DD</b>

# HEAVY-DUTY LOCKS

## T HANDLE HEAVY-DUTY LOCK

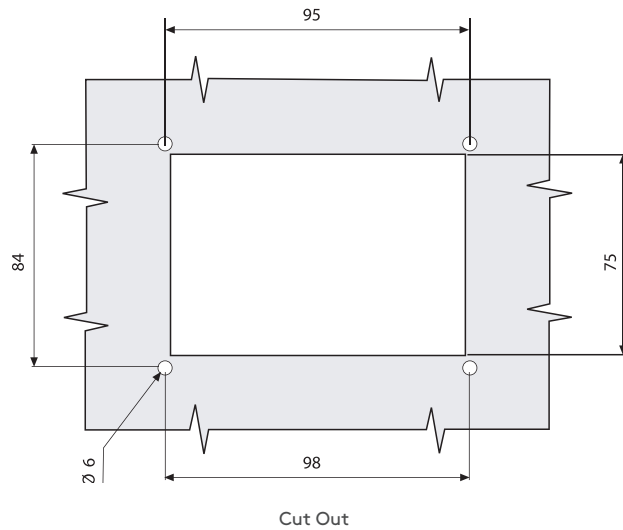
115



- Suitable for special equipment cases
- Adjustable cam for wide grip range
- Maximum padlock shackle diameter 9 mm

### MATERIAL

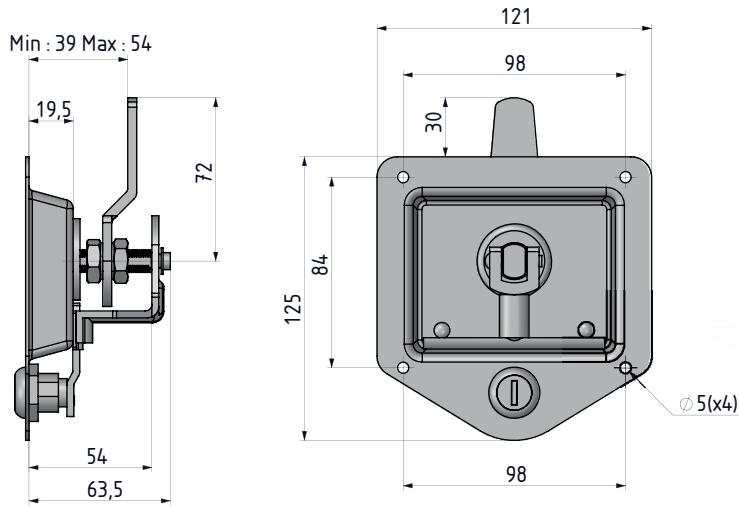
BODY: Stainless steel  
 HANDLE: Zamak DIN-EN 1774-ZnAl4Cu1  
 PADLOCK HASP: Stainless steel  
 CAM: Steel



Group Code	Material	Finish
115	4	0

215

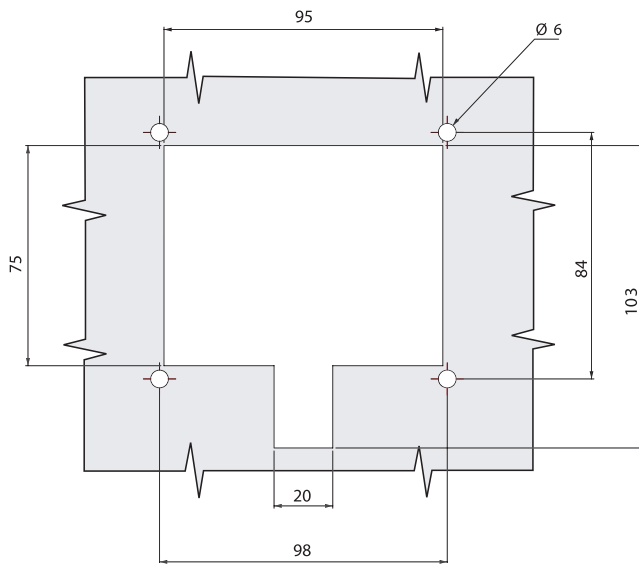
T HANDLE HEAVY-DUTY LOCK



- Suitable for special equipment cases
- Adjustable cam for wide grip range

**MATERIAL**

BODY: Stainless steel  
 HANDLE: Zamak DIN-EN 1774-ZnAl4Cu1  
 CAM: Steel



Cut Out

SPECIFICATIONS		DD
Stainless steel dust cap (Keyed alike)		03
Stainless steel dust cap (Keyed differ)		32

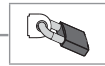
Group Code	Material	Finish	Cylinder
215	4	0	DD



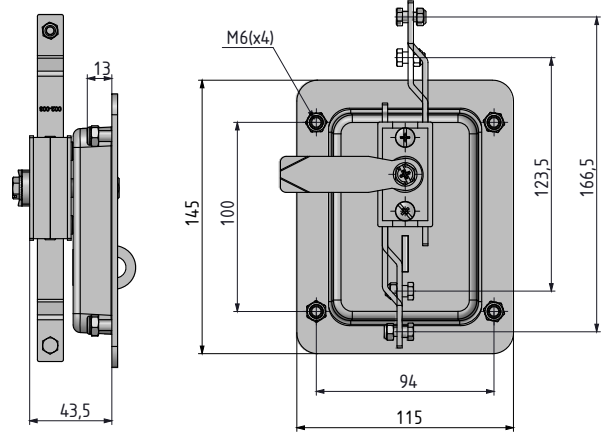
# HEAVY-DUTY LOCKS

## T HANDLE HEAVY-DUTY LOCK

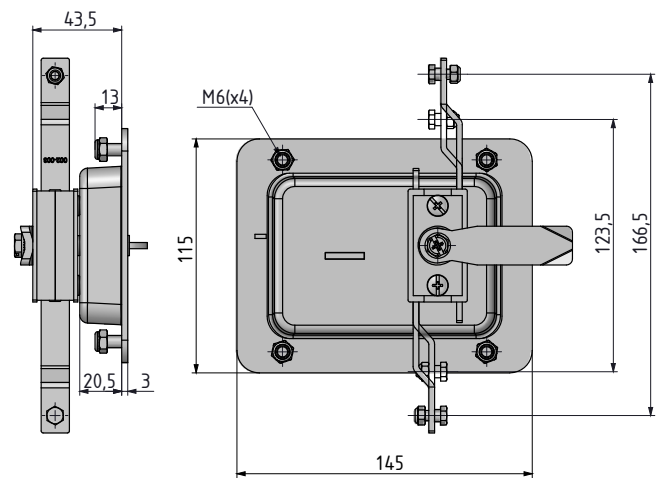
015



V:1  
VERTICAL



V:2  
HORIZONTAL



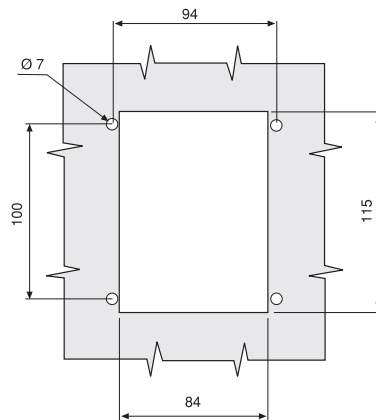
- Secured by padlock
- Maximum padlock shackle diameter 9 mm
- Horizontal and vertical versions available

### MATERIAL

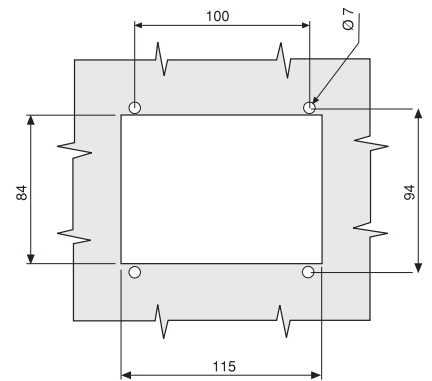
BODY: Steel  
HANDLE: Zamak DIN-EN 1774-ZnAl4Cu1  
CAM: Steel  
SCREW: Stainless steel  
SEAL: Polyurethane

### FINISH

HANDLE: Chrome or black coated  
BODY: Black coated



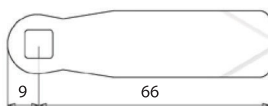
VERTICAL  
Cut Out



HORIZONTAL  
Cut Out



CAM  
CC: 70



FINISH	F	70	CAM
Chrome Plated	1	00	NO CAM
Black Coated	2		

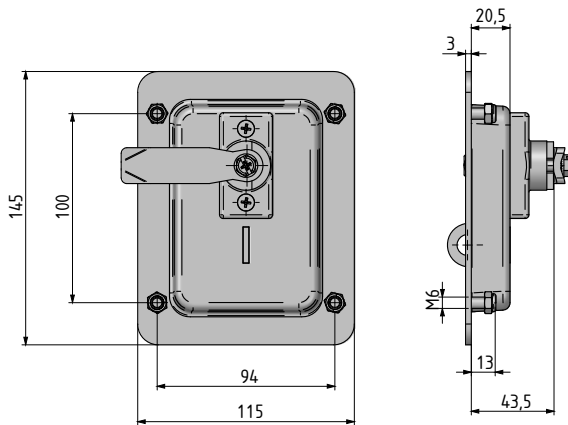
Group Code	Version	Handle	Body	Cam
015	V	F	F	CC

For cams please check pages: 172 - 173

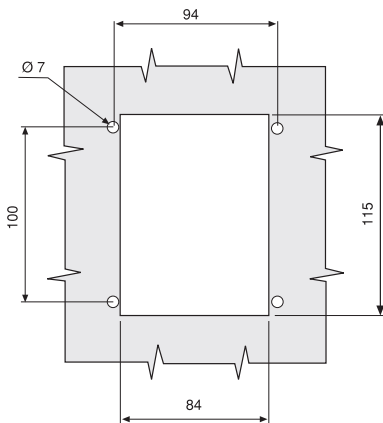
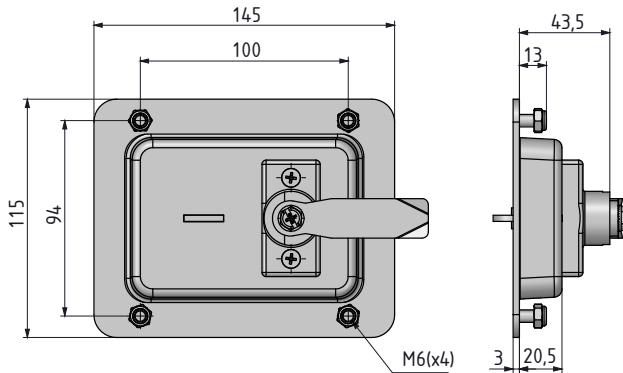
015

## T HANDLE HEAVY-DUTY LOCK

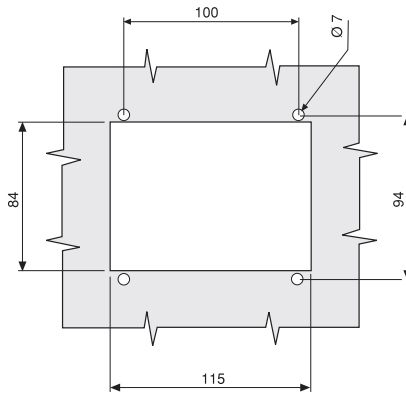
V: 3  
VERTICAL



V: 4  
HORIZONTAL



VERTICAL  
Cut Out



HORIZONTAL  
Cut Out



- Secured by padlock
- Maximum padlock shackle diameter 9 mm
- Horizontal and vertical versions available

### MATERIAL

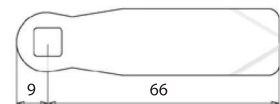
**BODY:** Steel  
**HANDLE:** Zamak DIN-EN 1774-ZnAl4Cu1  
**CAM:** Steel  
**SCREW:** Stainless steel  
**SEAL:** Polyurethane


### FINISH

**HANDLE:** Chrome or black coated  
**BODY:** Black coated

<b>FINISH</b>	<b>F</b>	<b>70</b>	CAM
Chrome Plated	<b>1</b>	<b>00</b>	NO CAM
Black Coated	<b>2</b>		

Group Code	Version	Handle	Body	Cam
<b>015</b>	<b>V</b>	<b>F</b>	<b>F</b>	<b>CC</b>

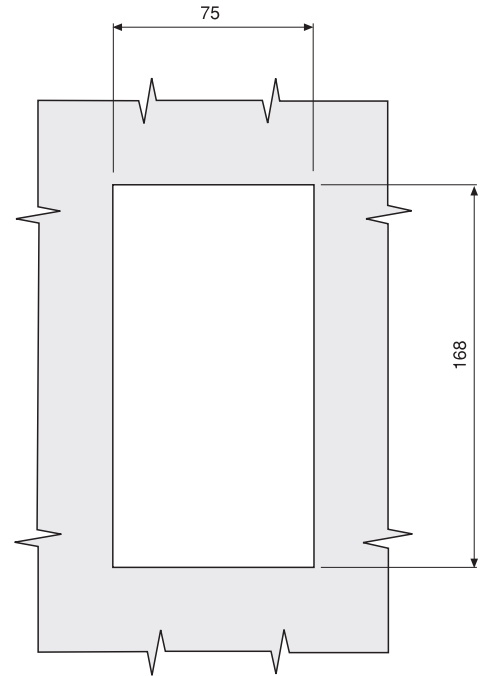
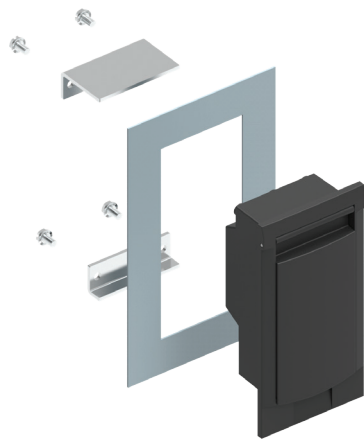
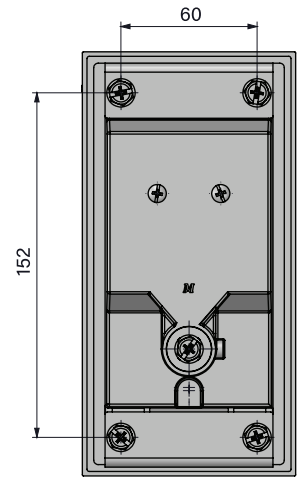
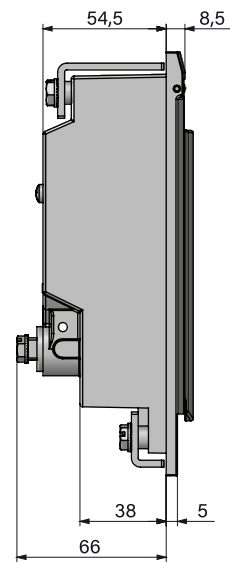
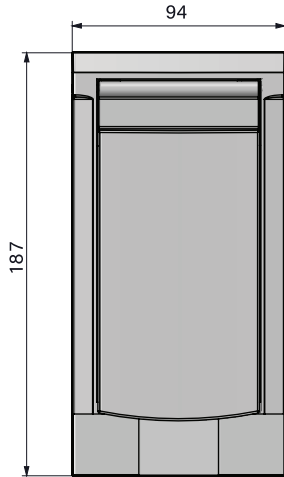


 For cams please check pages: 172 - 173

# HEAVY-DUTY LOCKS

## T HANDLE HEAVY-DUTY LOCK

**018**



Cut Out

- Especially designed for medium voltage panels
- Foam gasketing provides sealing
- Maximum padlock shackle diameter 9 mm
- For customised cam and colours contact Essentra

**MATERIAL**

BODY: Aluminium  
 COVER: Aluminium  
 HANDLE: Zamak DIN-EN 1774-ZnAl4Cu1  
 PIN: Stainless steel  
 PADLOCK HASP: Zamak

SPECIFICATIONS		DD
Keyed alike		01
Keyed differ		02

Group Code	Material	Finish	Cam
018	5	2	00

No cylinder version code system

Group Code	Version	Material	Finish	Cylinder	Cam
018	2	5	2	DD	00

Cylinder version code system

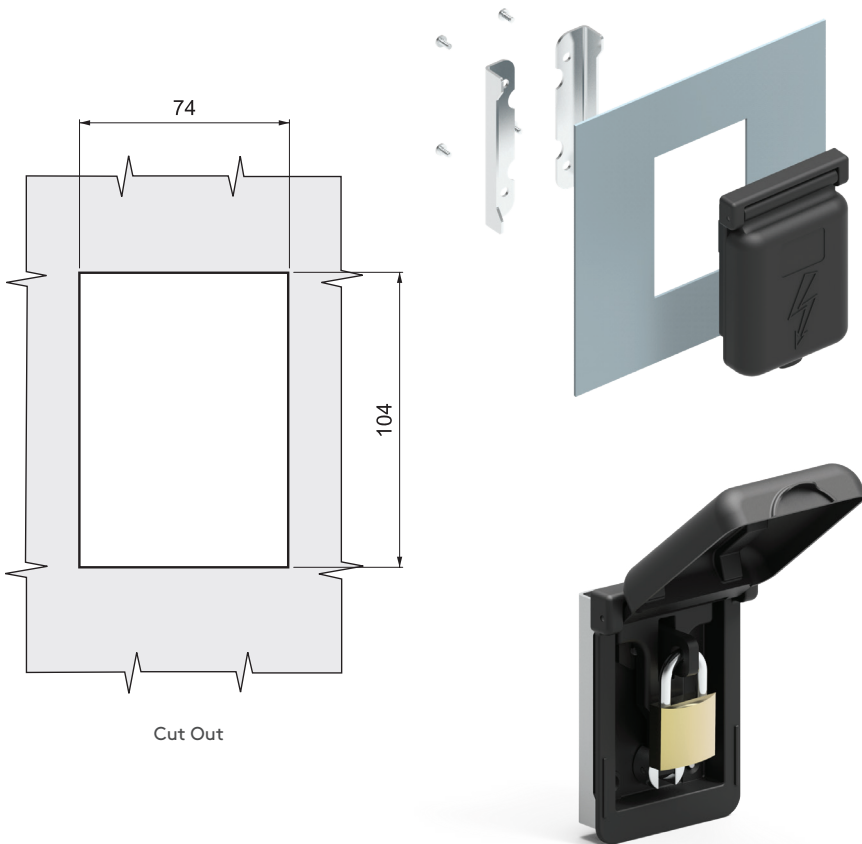
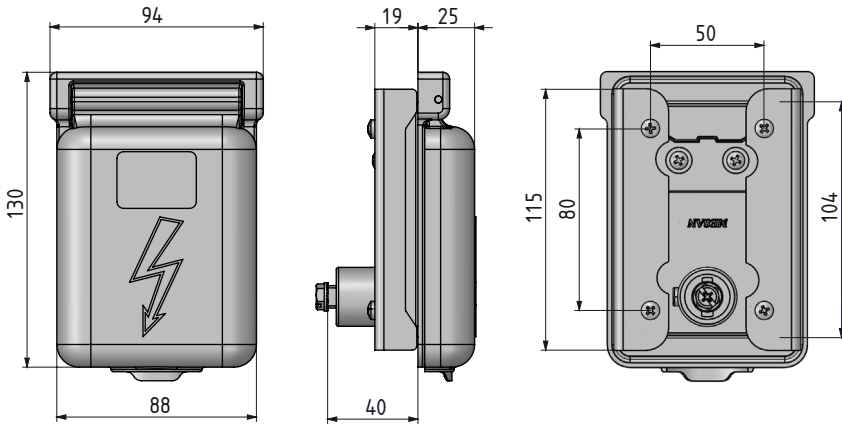
**118** T HANDLE HEAVY-DUTY LOCK

-  RoHS
- 
- 
- 



- For low voltage cabinets
- Optional polyurethane gasketing
- Maximum padlock shackle diameter 10 mm
- Option to be supplied without painting or plating
- For customised cam contact Essentra

**MATERIAL**  
 BODY: Aluminium  
 COVER: Aluminium  
 HANDLE: Zamak DIN-EN 1774-ZnAl4Cu1  
 PAD LOCK HASP: Aluminium



FINISH	F
No Finish	0
Black Coated	2

Group Code	Material	Finish	Cam
118	5	F	00



118-125



126-130



127



131



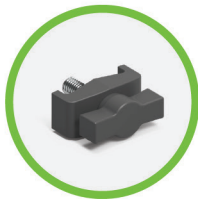
132-133



134-135



136



137



138



139



140



141



142



143



144-145



146



147



148



149



150-159



156-157



160



160



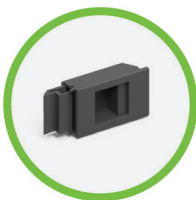
161



161



162



163



164



165



166



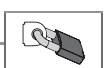
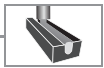
## MISCELLANEOUS PRODUCTS

116-167



HVAC LOCK

112



- Ergonomic and stylish design
- Quick fixing
- Secure locking
- Adjustable grip length
- Suitable for outward swing doors

MATERIAL

BODY: Polyamide DIN-EN ISO 1043-1 PA6 GFR 30  
 HANDLE: PA6 GFR 30  
 CAM: Steel - PA6 GFR 30  
 SEAL: Polyurethane

⚠ This product can be produced as anti-bacterial with PA6 GFR 30% + 6% content. The raw material used has been tested in the DIN EN ISO 846 standard.

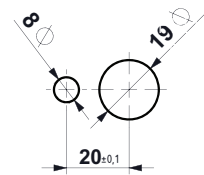
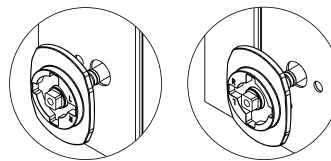
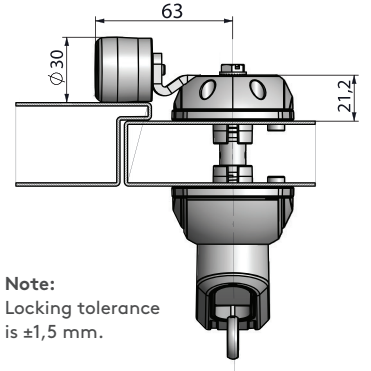
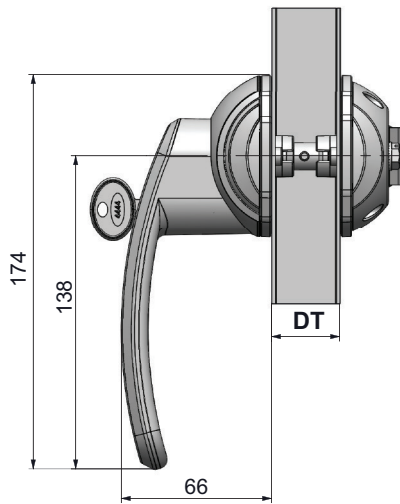


No cylinder

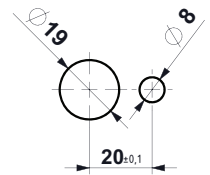
Driver



Padlock application



Left hand Cut out



Right hand Cut out

For different door thicknesses, please contact our sales team



- 1: Handle
- 2: Shaft unit
- 3: Roller cam
- 4: Safety cam (Optional - 112A3CH01)
- 5: Lever handle (Optional - 112A101)
- 6: Safety interior handle (Optional - 112A2)

30
40
50
60
70
80

CYLINDER TYPE	DD
No Cylinder	00
Keyed alike (Stainless steel dust cap)	03
Keyed differ (Stainless steel dust cap)	32
Euro key (5333)	05

DRIVER TYPE	DD
8 mm Square	28
10 mm Square	20
7 mm Triangular	37
8 mm Hexagon	68

- For cams please check pages: 122
- For accessories pages 123 - 124
- For keys please check pages: 124

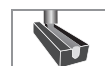
Group Code	Version	Door thickness	Cylinder Driver	Cam	For only padlock*
112	1	DT	DD	CC	

\*: add "1" for padlock application



112

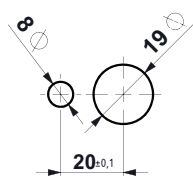
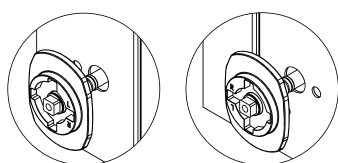
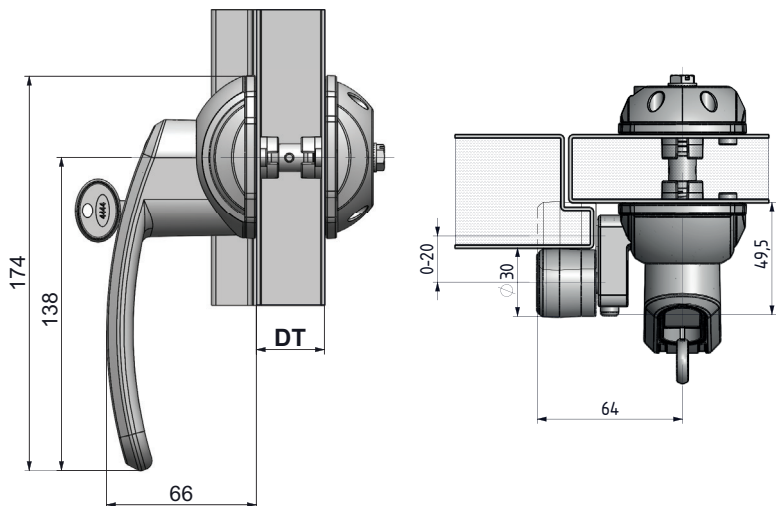
HVAC LOCK



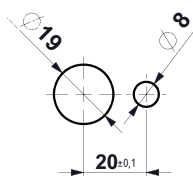
- Ergonomic and stylish design
- Quick fixing
- Secure locking
- Adjustable grip length
- Suitable for inward swing doors

**MATERIAL**

**BODY:** Polyamide DIN-EN ISO 1043-1 PA6 GFR 30  
**HANDLE:** PA6 GFR 30  
**CAM:** Steel - PA6 GFR 30  
**SEAL:** Polyurethane

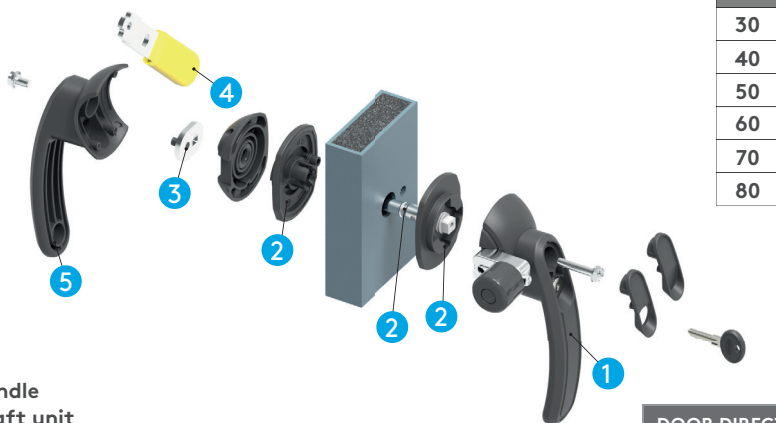


Left hand  
Cut out



Right hand  
Cut out

For different door thicknesses, please contact our sales team



30
40
50
60
70
80

- 1: Handle
- 2: Shaft unit
- 3: Fixing device
- 4: Lever handle (Optional - 112A101)
- 5: Safety interior handle (Optional - 112A2)

DOOR DIRECTION	
Right hand	001
Left hand	002



No cylinder

Driver



Padlock application

CYLINDER TYPE	DD
No Cylinder	00
Keyed alike (Stainless steel dust cap)	03
Keyed differ (Stainless steel dust cap)	32
Euro key (5333)	05

DRIVER TYPE	DD
8 mm Square	28
10 mm Square	20
7 mm Triangular	37
8 mm Hexagon	68

Group Code	Version	Door thickness	Cylinder Driver	Cam	For only padlock*	Door Direction
112	2	DT	DD	CC		

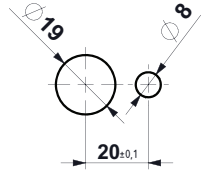
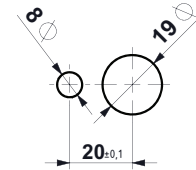
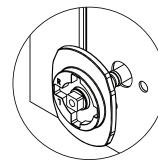
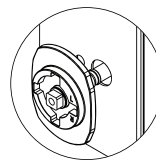
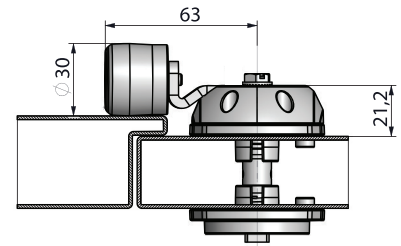
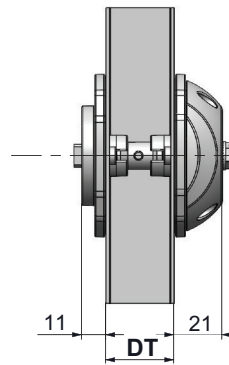
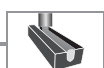
\*: add "1" for padlock application

- For cams please check pages: 122
- For accessories pages 123 - 124
- For keys please check pages: 124



HVAC LOCK

112



Left hand  
Cut out

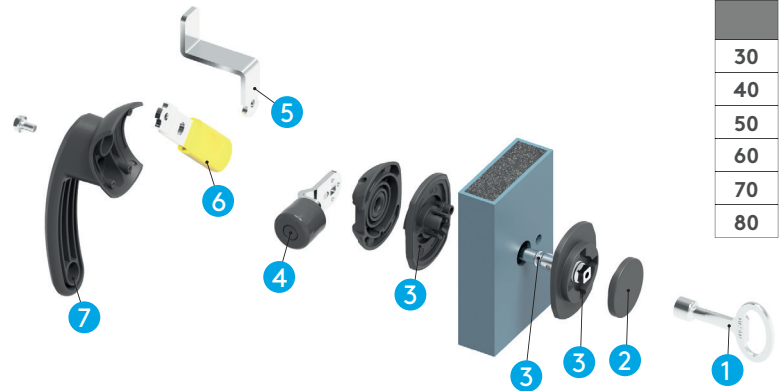
Right hand  
Cut out

- No handle application
- Quick fixing
- Secure locking
- Adjustable grip length

MATERIAL

BODY: Polyamide DIN-EN ISO 1043-1 PA6 GFR 30  
 CAM: Steel – PA6 GFR 30  
 SHAFT: Steel  
 SEAL: Polyurethane

For different door thicknesses, please contact our sales team



30
40
50
60
70
80

- 1: Key (36820)
- 2: Cover (Optional - 112A6)
- 3: Shaft unit
- 4: Roller cam
- 5: Safety cam (Optional - 112A3CH01)
- 6: Lever handle (Optional - 112A101)
- 7: Safety interior handle (Optional - 112A2)

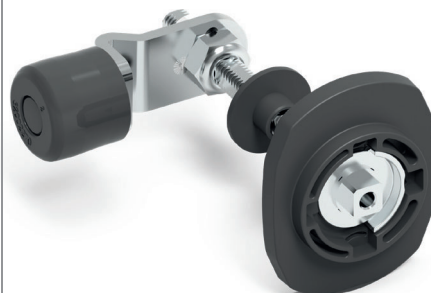
Group Code	Version	Door thickness	Cam
112	3	DT	CC

- For cams please check pages: 122
- For accessories pages: 123 - 124
- For keys please check pages: 124



HVAC LOCK

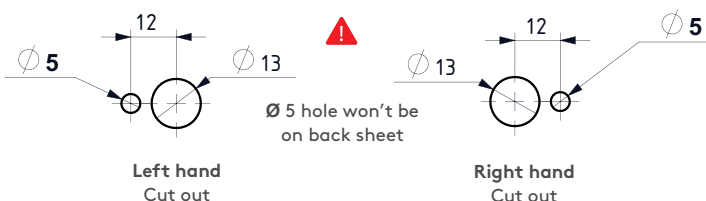
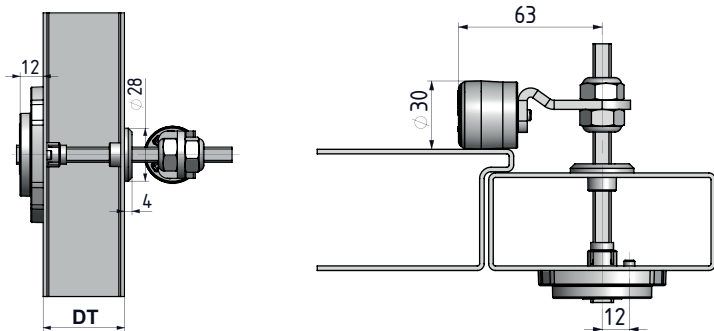
112



- No handle application
- Quick fixing
- Secure locking
- Adjustable grip length

MATERIAL

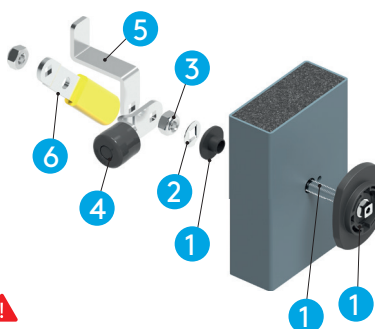
BODY: Polyamide DIN-EN ISO 1043-1 PA6 GFR 30  
 CAM: Steel - PA6 GFR 30  
 SHAFT: Steel  
 SEAL: Polyurethane



For different door thicknesses, please contact our sales team

DOOR THICKNESS	DT
20 -50 mm thickness panel	01
50 -80 mm thickness panel	02

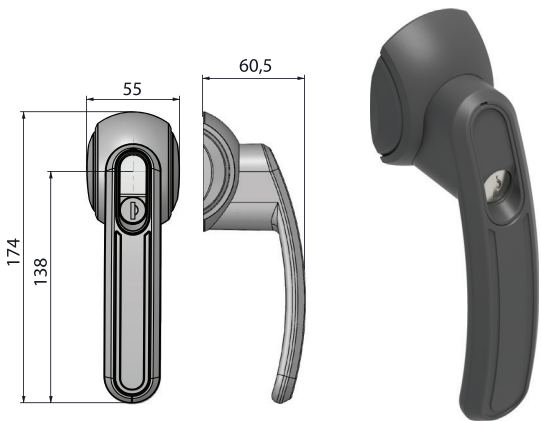
- 1: Shaft unit
- 2: Ring
- 3: Nut
- 4: Roller cam
- 5: Safety cam (Optional - 112A3CH02)
- 6: Lever handle (Optional - 112A102)



Group Code	Version	Door thickness	Cam
112	4	DT	CC

- For cams please check pages: 122
- For accessories pages 123 - 124
- For keys please check pages: 124

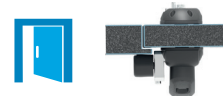
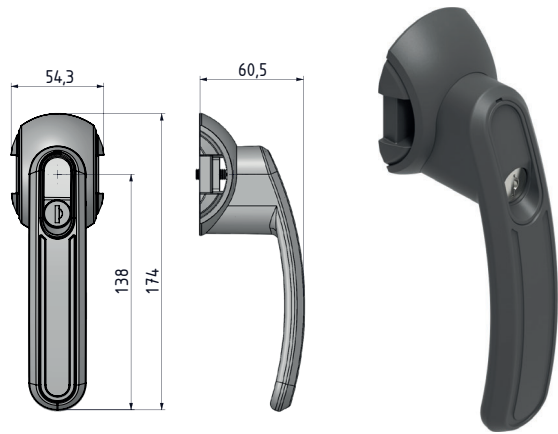
**HANDLES**



Suitable for outward swing doors

Group Code	Version	Cylinder Driver	For only padlock*
112H	1	DD	

\*: add "1" for padlock application



Suitable for inward swing doors

Group Code	Version	Cylinder Driver	For only padlock*
112H	2	DD	

\*: add "1" for padlock application



Handles can be ordered individually.  
Shaft unit is not included.

**CAMS**



Fixed cam  
(Round roller)



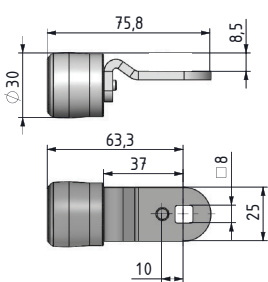
Fixed cam  
(Triangle Roller)



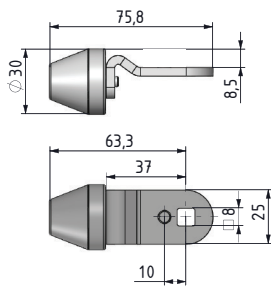
Adjustable cam  
(Round roller)



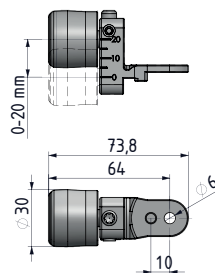
Adjustable cam  
(Triangle Roller)



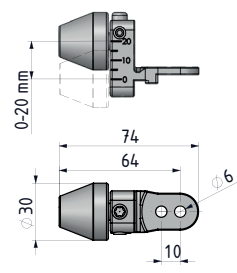
STOCK CODE	CC
112C01	01
* 112C11	11



STOCK CODE	CC
112C02	02
*112C12	12



STOCK CODE	CC
112C03	03



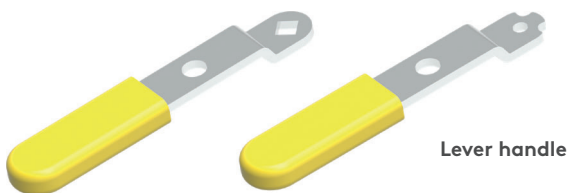
STOCK CODE	CC
112C04	04

\*: For only multiple locking system

\*: For only multiple locking system



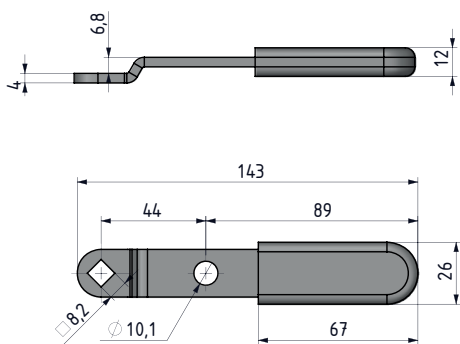
**ACCESSORIES**



Lever handle

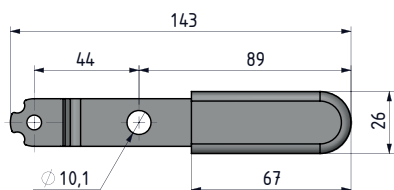


Safety cam



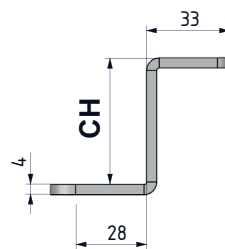
STOCK CODE  
**112A102**

⚠ Only version 4 is used.

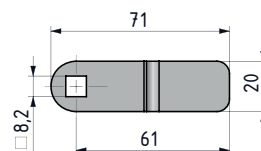


STOCK CODE  
**112A101**

Only version 1.2.3 is used.

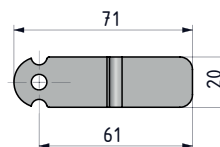


CH
25
50
75
100



STOCK CODE  
**112A3CH02**

⚠ Only version 4 is used.

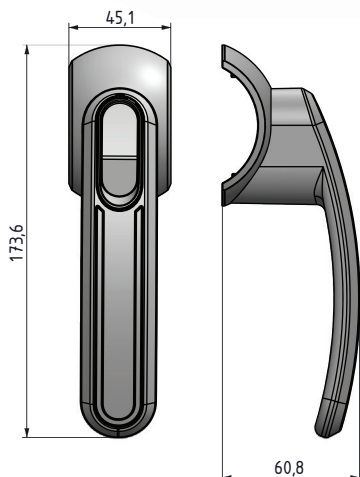


STOCK CODE  
**112A3CH01**

Only version 1.2.3 is used.



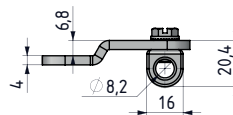
Safety interior handle



STOCK CODE  
**112A2**

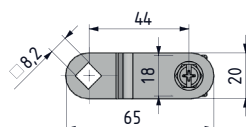


Multiple locking unit



STOCK CODE  
**112A502**

⚠ Only version 4 is used.



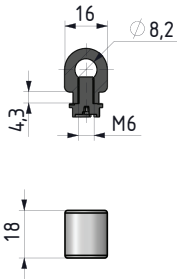
STOCK CODE  
**112A501**

Only version 1.2.3 is used.

ACCESSORIES



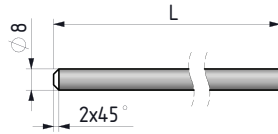
Rod adapter



STOCK CODE
112A4



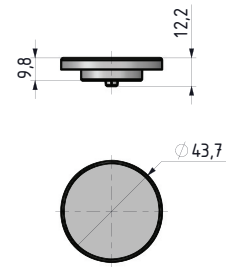
Rod



GROUP CODE	LENGTH
112IC	L



Cover



STOCK CODE
112A6

KEYS



8 mm Square

STOCK CODE
36828



10 mm Square

STOCK CODE
36820



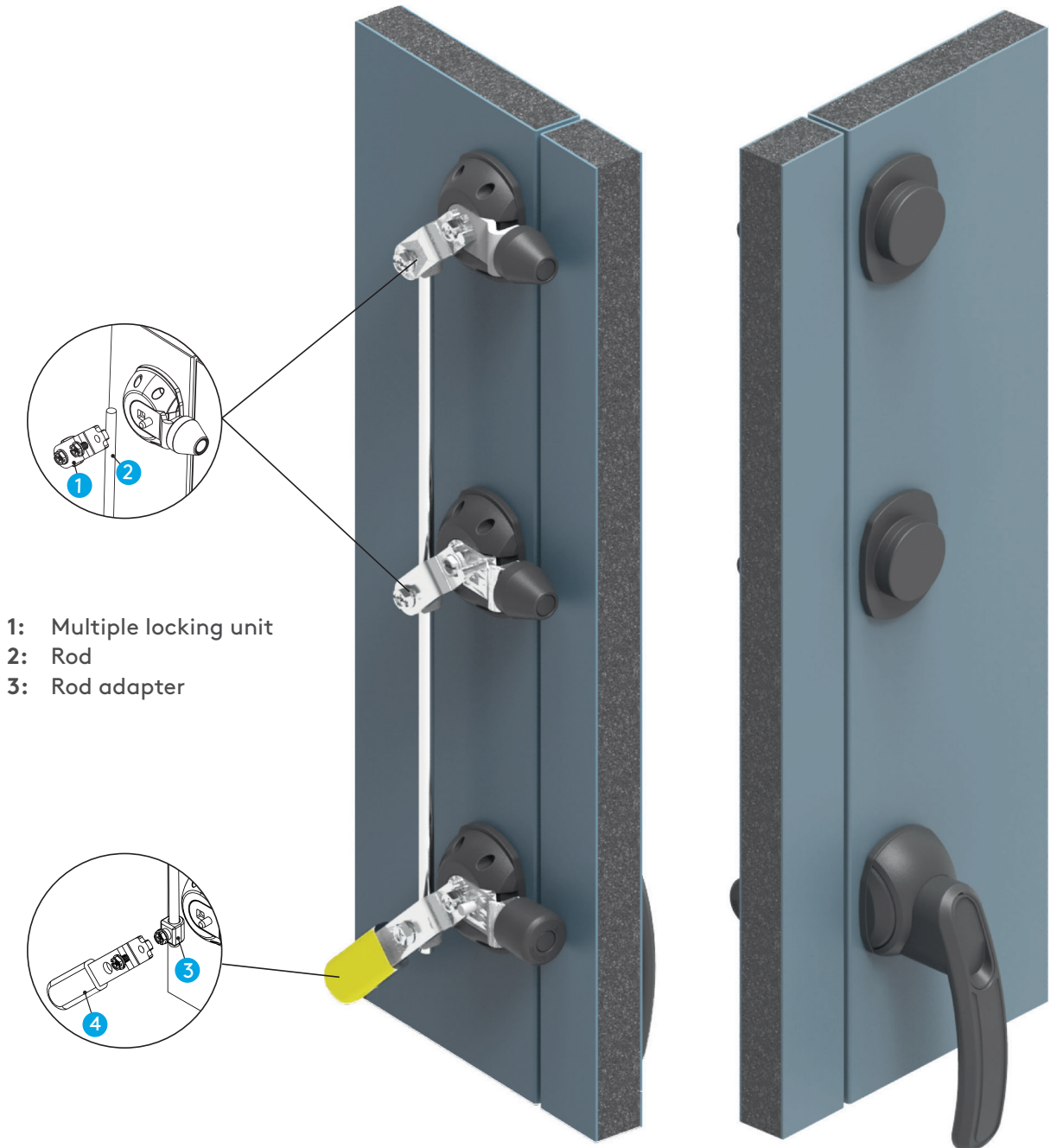
7 mm Triangular

STOCK CODE
36837



8 mm Hexagon

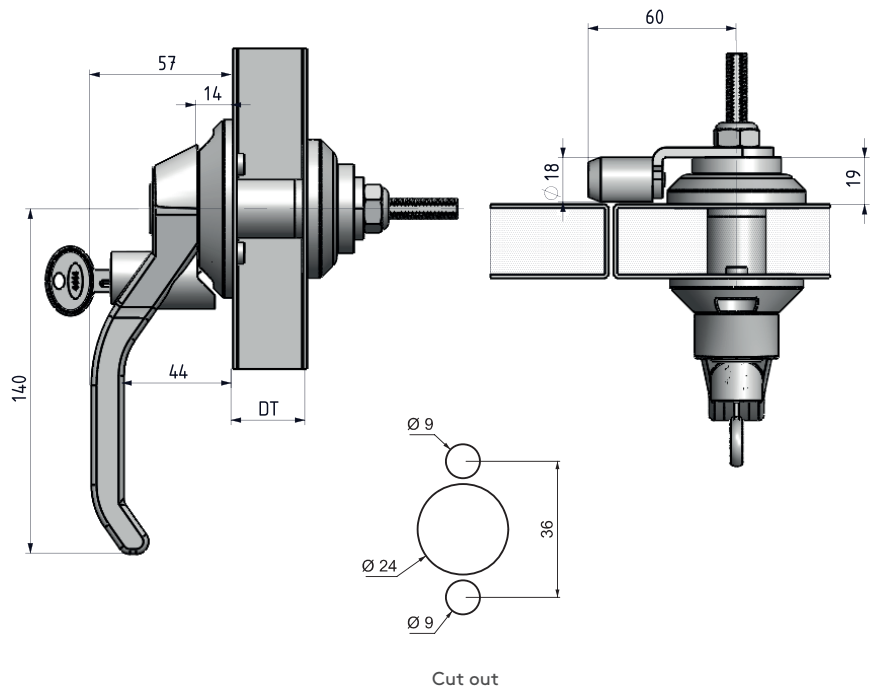
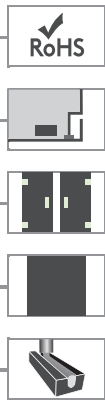
STOCK CODE
36868

**MULTIPOINT LOCKING SYSTEM**

Customizable solutions in multi-point locking system by bespoke rod dimensions are upon request. Please contact our sales team for your technical inquiries (Sample application in image).

HVAC LOCK

012





- Removable handle for easy assembly on site
- Roller cam requires less force for locking
- With or without cylinder and driver available
- Can be used for different door thicknesses
- Internal handle available for opening door from inside for safety purposes

**MATERIAL**

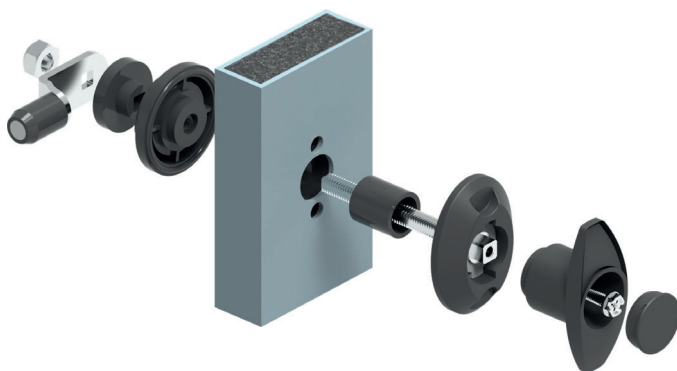
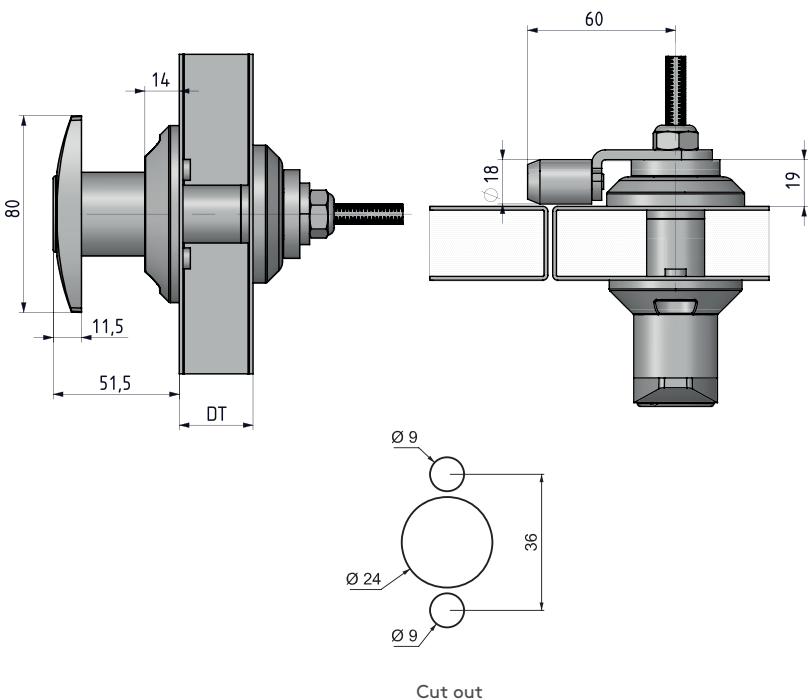
BODY: Polyamide DIN-EN ISO 1043-1 PA6 GFR 30  
 HANDLE: Polyamide DIN-EN ISO 1043-1 PA6 GFR 30  
 CAM: Steel

⚠ This product can be produced as anti-bacterial with PA6 GFR 30% + 6% content. The raw material used has been tested in the DIN EN ISO 846 standard.



	CYLINDER		DRIVER		DT
		DD			
	No cylinder	00	10 mm Square		30
	Keyed alike (Stainless steel dust cap)	03			40
	Keyed differ (Stainless steel dust cap)	32	DD		50
	Euro key (5333)	05	20		60
	CH751 (Stainless steel dust cap)	07			80

Group Code	Version	Door thickness	Cylinder Driver	Cam
012	1	DT	DD	CC



012

HVAC LOCK

- 
- 
- 
- 



- Roller cam requires less force for locking
- Without-cylinder version
- Can be used for different door thicknesses
- Compact design requires less space

**MATERIAL**

BODY: Polyamide DIN-EN ISO 1043-1 PA6 GFR 30  
 HANDLE: Polyamide DIN-EN ISO 1043-1 PA6 GFR 30  
 CAM: Steel  
 ADJUSTABLE SCREW: Steel

Group Code	Version	Door thickness	Cylinder	Cam
012	3	DT	00	CC

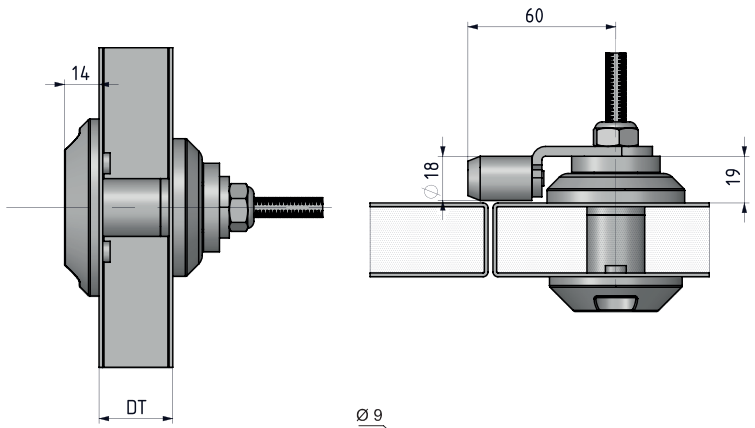
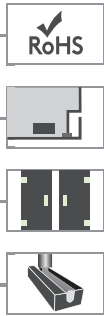
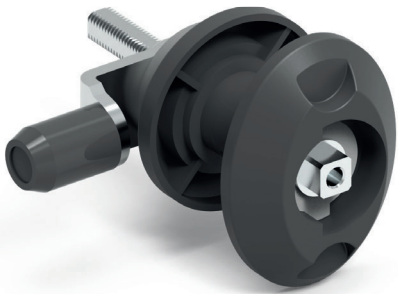
DT
30
40
50
60
80



# MISCELLANEOUS PRODUCTS

## HVAC LOCK

012

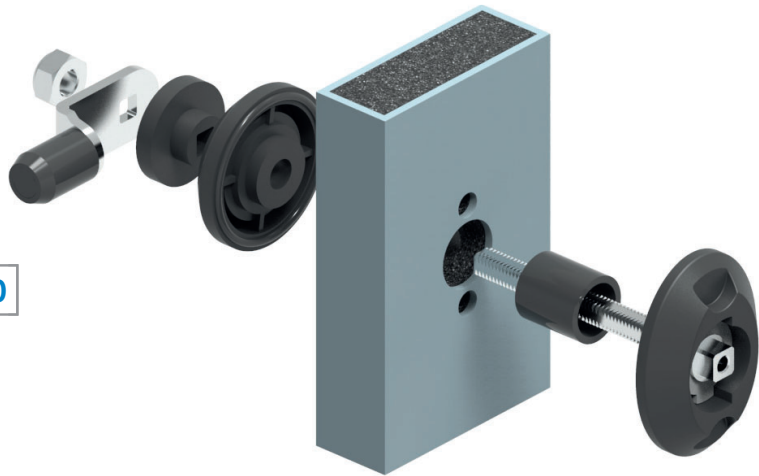


- Can be operated without handle

**MATERIAL**  
 BODY: Polyamide DIN-EN ISO 1043-1 PA6 GFR 30  
 CAM: Steel  
 ADJUSTABLE SCREW: Steel

## METAL KEY

368.20

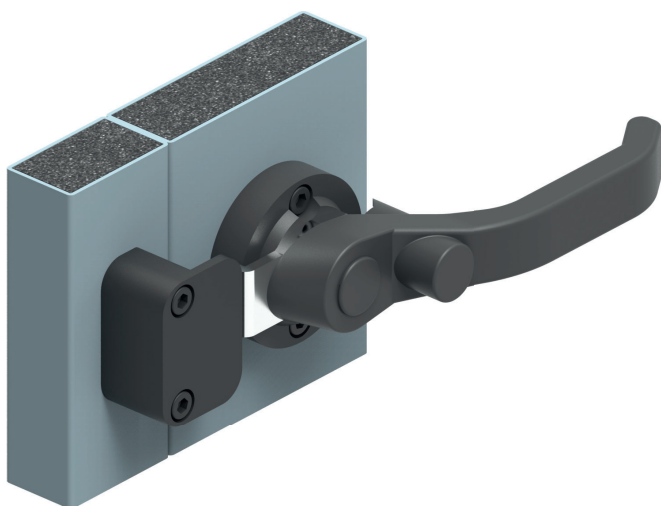
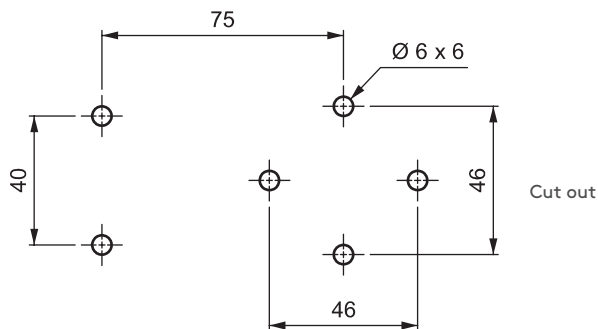
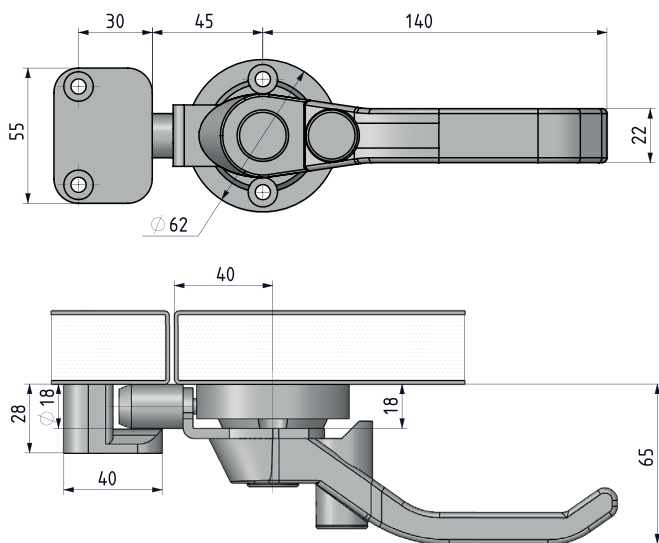


**MATERIAL**  
 Zamak DIN-EN 1774-ZnAl4Cu1

**FINISH**  
 Chrome plated

Group Code	Version	Door thickness	Cam
012	4	DT	01

DT
30
40
50
60
80



012

HVAC LOCK



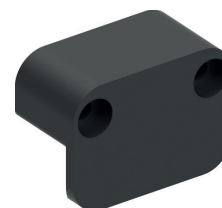
- Outside locking system provides safety for pressurised doors
- Roller cam requires less force for locking
- Can be used for different door thicknesses

**MATERIAL**

BODY: Polyamide DIN-EN ISO 1043-1 PA6 GFR 30  
 HANDLE: Polyamide DIN-EN ISO 1043-1 PA6 GFR 30  
 CAM: Steel

012 A2

STRIKING PLATE



**MATERIAL**

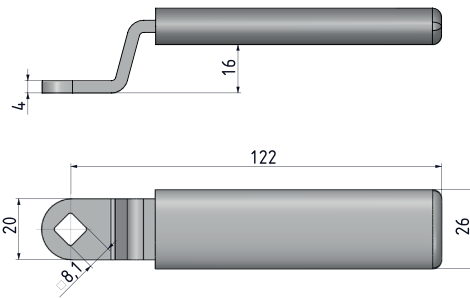
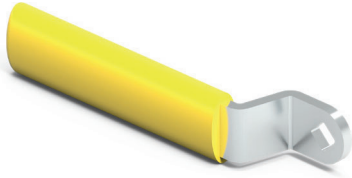
Zamak DIN-EN 1774-ZnAl4Cu1

Group Code	Version	Cylinder	Cam
012	2	00	01

## MISCELLANEOUS PRODUCTS

### LEVER HANDLE

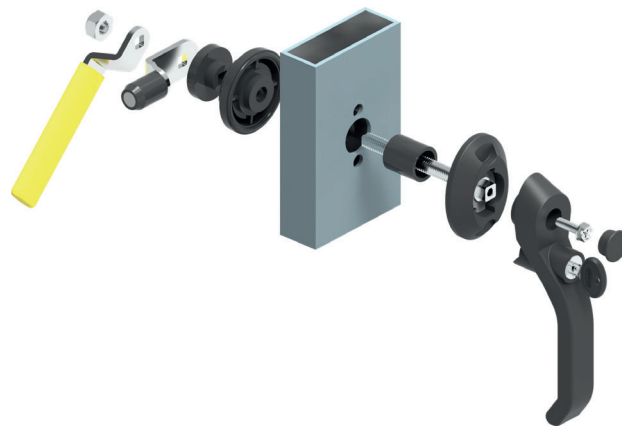
012 A1



- Lever handle is optional accessory
- Can only be used when external handle is at unlocking position

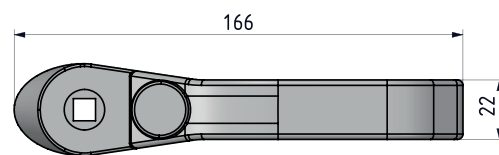
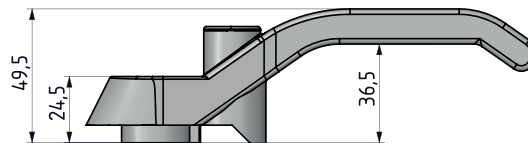
**MATERIAL**  
Steel

**FINISH**  
Polyamide overmould

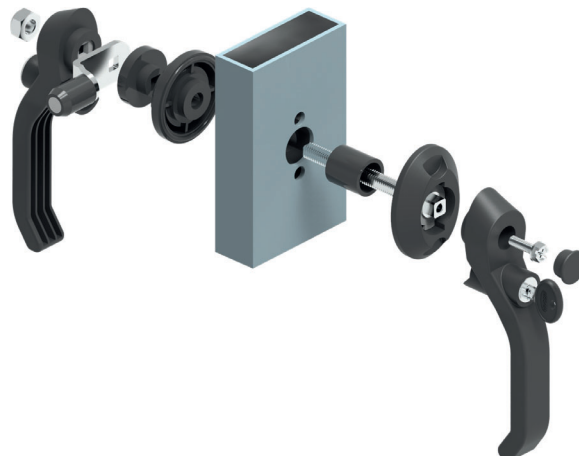


### INTERNAL SAFETY HANDLE

012 A3



**MATERIAL**  
Polyamide DIN-EN ISO  
1043-1 PA6 GFR 30





612

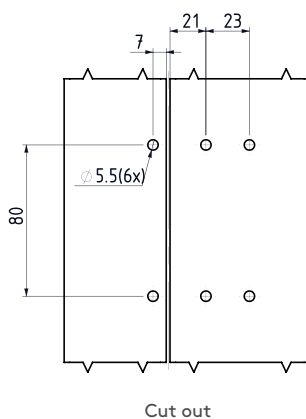
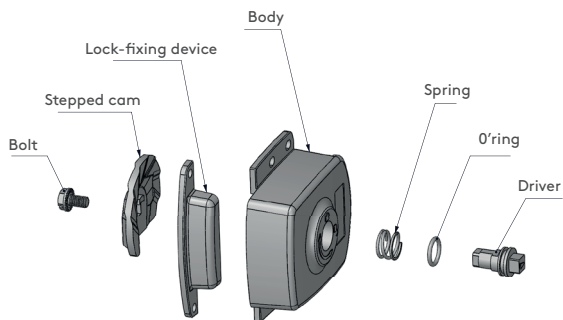
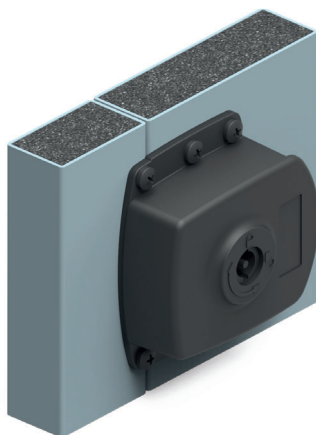
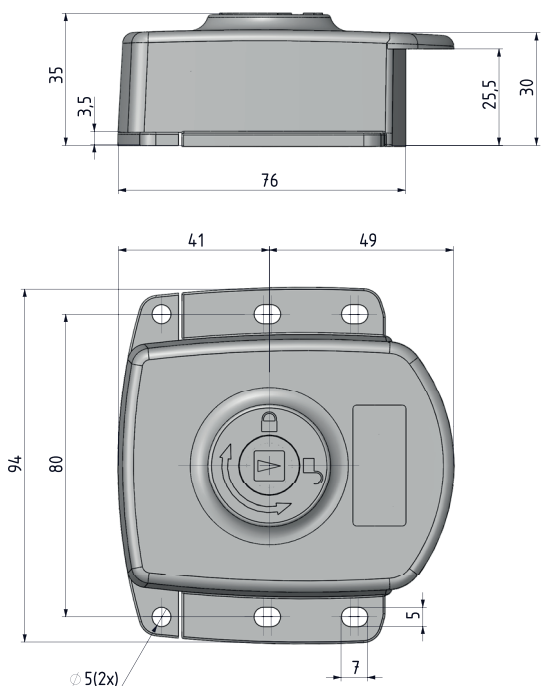
HVAC LOCK



- Outside locking system provides safety for pressurised doors
- For logo application please contact Essentra

MATERIAL

BODY: Zamak DIN-EN 1774-ZnAl4Cu1  
 DRIVER: Zamak DIN-EN 1774-ZnAl4Cu1



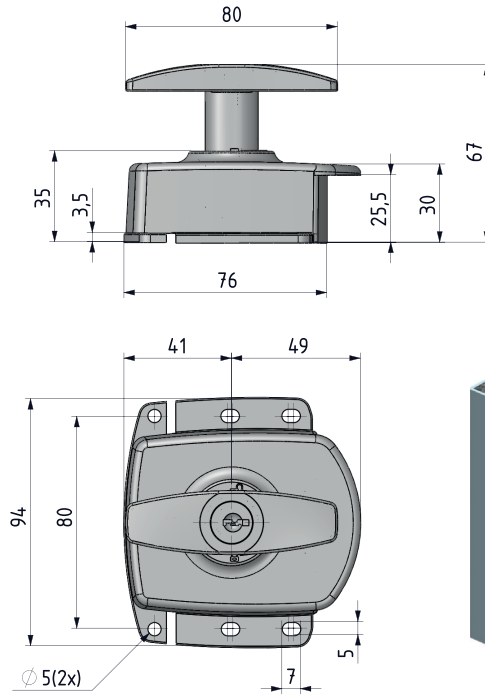
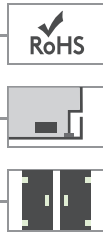
MATERIAL	M	FINISH	F
Zamak	1	Chrome plated	1
		Black coated	2

Group Code	Body	Driver	Driver No
612	1 2	1 F	DD

For drivers please check page: 194

HVAC LOCK 'T' HANDLE

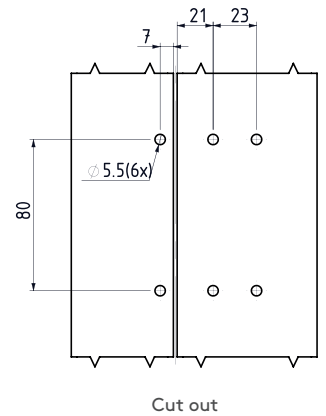
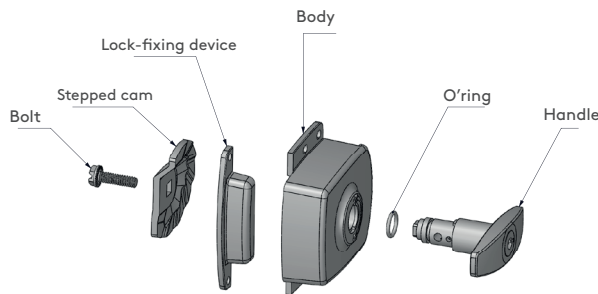
612




- Outside locking system provides safety for pressurised doors

**MATERIAL**

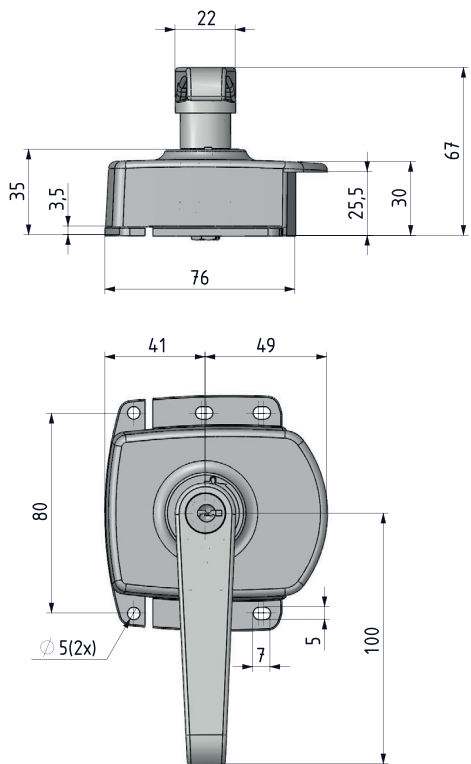
**BODY:** Zamak DIN-EN 1774-ZnAl4Cu1  
**HANDLE:** Zamak DIN-EN 1774-ZnAl4C or PA6 GFR 30



CYLINDER	SPECIFICATIONS	DD
	No Cylinder	00
	Keyed alike (Stainless steel dust cap)	03
	Keyed differ (Stainless steel dust cap)	32
	Euro key (5333)	05
	CH751 (Stainless steel dust cap)Euro key (5333)	07

MATERIAL	M	FINISH	F
Zamak	1	Chrome plated	1
		Black coated	2
Plastic	2	No finish	0

Group Code	Handle	Body	Handle	Cylinder
612	110	1 2	M F	DD



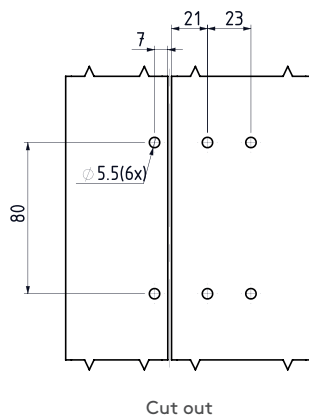
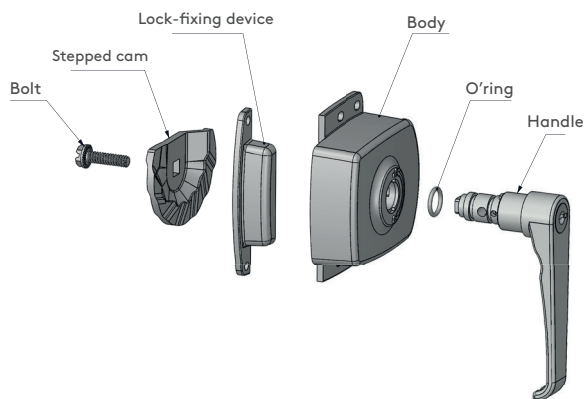
612


HVAC LOCK 'L' HANDLE



• Outside locking system provides safety for pressurised doors

BODY: Zamak DIN-EN 1774-ZnAl4Cu1  
HANDLE: Zamak DIN-EN 1774-ZnAl4C or PA6 GFR 30

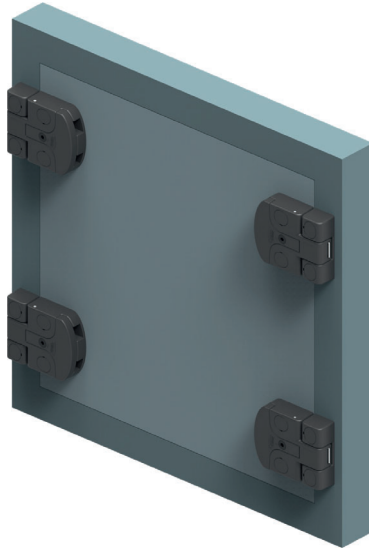


CYLINDER	SPECIFICATIONS	DD
	No Cylinder	00
	Keyed alike (Stainless steel dust cap)	03
	Keyed differ (Stainless steel dust cap)	32
	Euro key (5333)	05
	CH751 (Stainless steel dust cap)Euro key (5333)	07

MATERIAL	M	FINISH	F
Zamak	1	Chrome plated	1
		Black coated	2
Plastic	2	No finish	0

Group Code	Handle	Body	Handle	Cylinder
612	111	1 2	M F	DD

FUNCTIONAL LOCKING HINGE

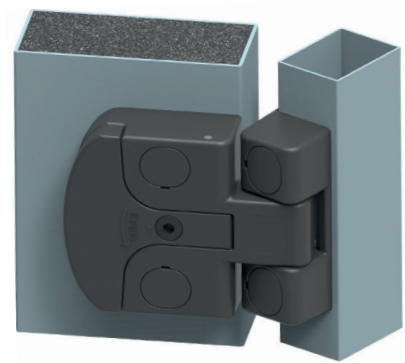


**Assembly:**

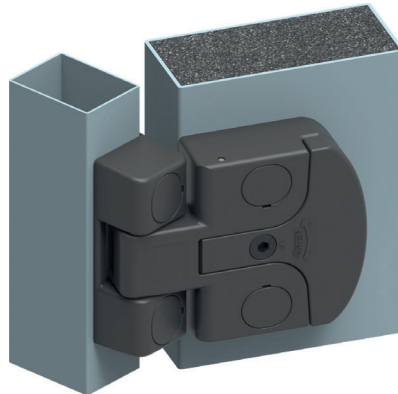
Functional locking hinge can be mounted left or right side of the door.

One side function as a hinge the other function as a lock

**Right cover application:**  
right hinge - left lock

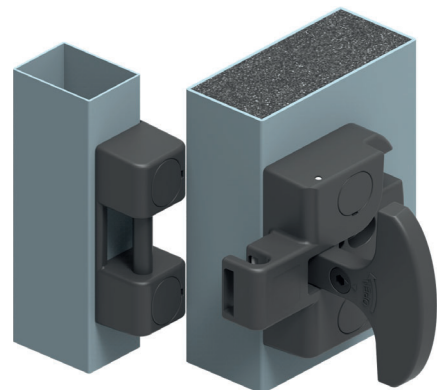


**Left cover application:**  
left hinge - right lock



**Removing the door**

- Lift the handle
- Remove the door.





712

FUNCTIONAL LOCKING HINGE



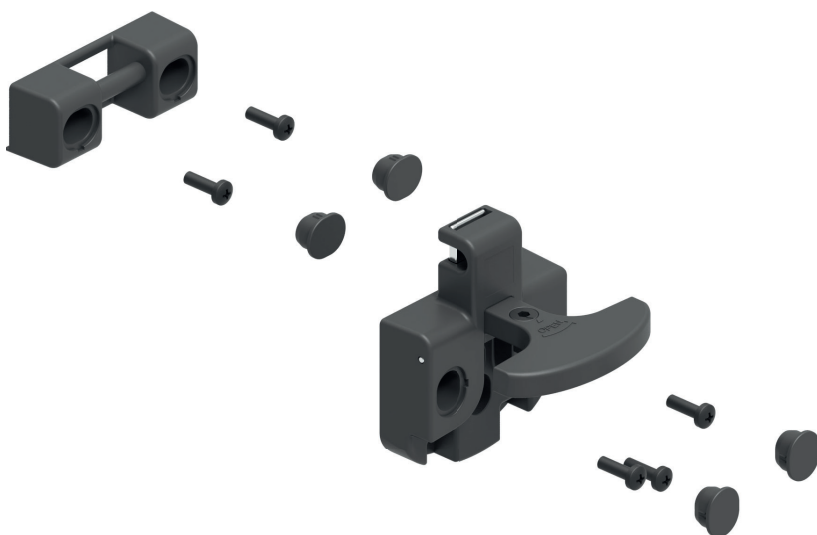
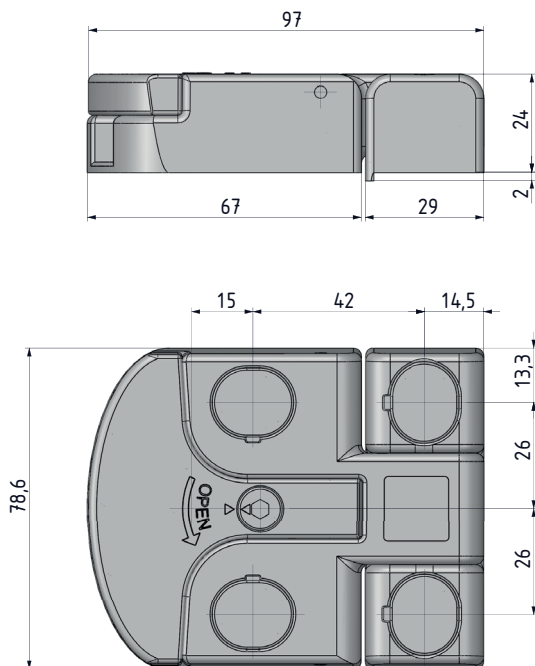
- Lock can also be used as hinge
- Door can be completely removed by unlocking the both products

**MATERIAL**

**BODY:** Polyamide DIN-EN ISO 1043-1 PA6 GFR 30  
**HANDLE:** Polyamide DIN-EN ISO 1043-1 PA6 GFR 30  
**DRIVER:** Steel  
**CATCH PLATE:** Polyamide DIN-EN ISO 1043-1 PA6 GFR 30



This product can be produced as anti-bacterial with PA6 GFR 30% + 6% content. The raw material used has been tested in the DIN EN ISO 846 standard.

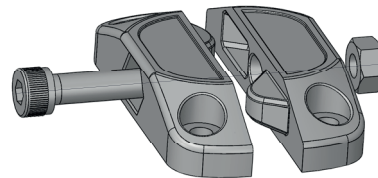
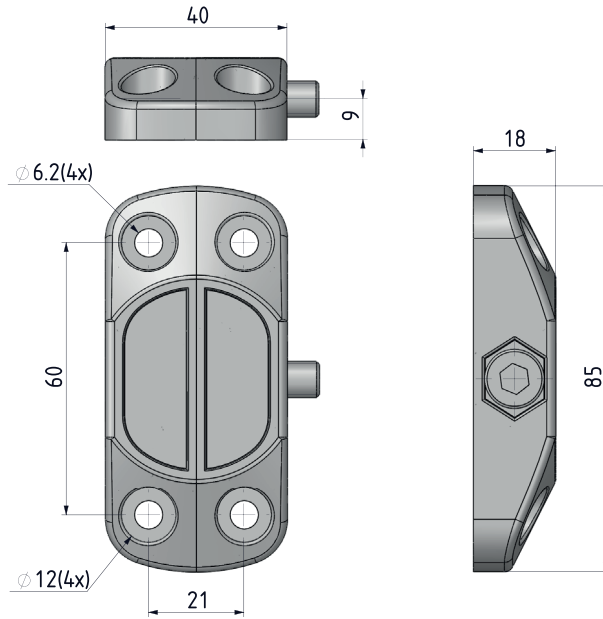
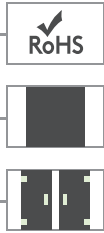


Group Code	Material	Finish
712	2	0



**CLAMPS (3D)**

**078**



- Available in all die-cast zinc alloy
- 3D capability
- High mechanical resistance

**MATERIAL**

**BODY:** Zamak DIN-EN 1774-ZnAl4Cu1 or PA6 GFR 30

**BOLT:** Steel  
**NUT:** Steel

**FINISH**

Zinc plated or black coated

**⚠ Note:** Bolts are not supplied

**⚠** This product can be produced as anti-bacterial with PA6 GFR 30% + 6% content. The raw material used has been tested in the DIN EN ISO 846 standard.



Group Code	Material	Finish
<b>078</b>	<b>M</b>	<b>F</b>

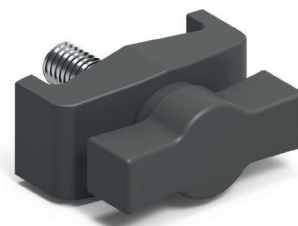
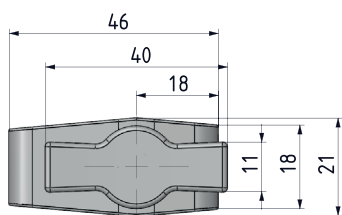
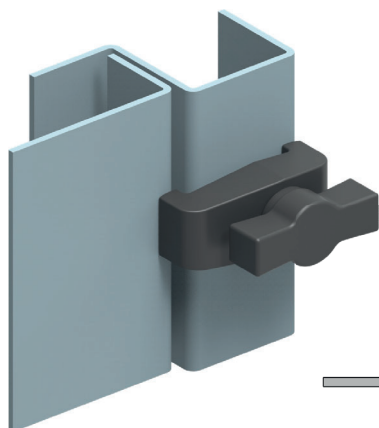
MATERIAL	M	FINISH	F
Zamak	1	Chrome plated	1
		Black coated	2
Plastic	2	No finish	0



462

BRIDGE CLAMP SYSTEM

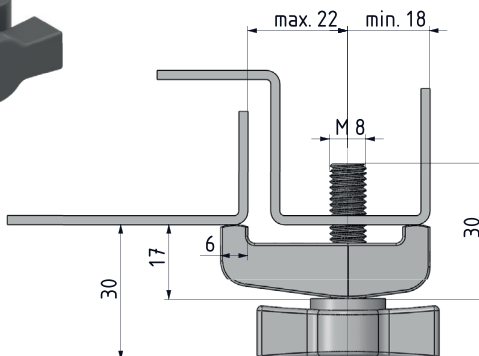
V:1



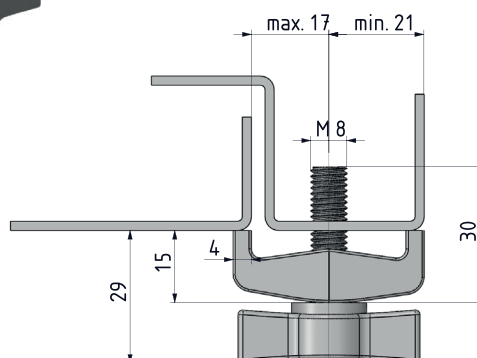
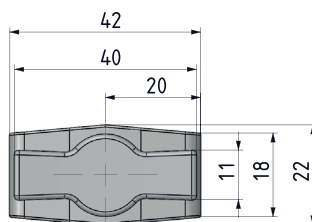
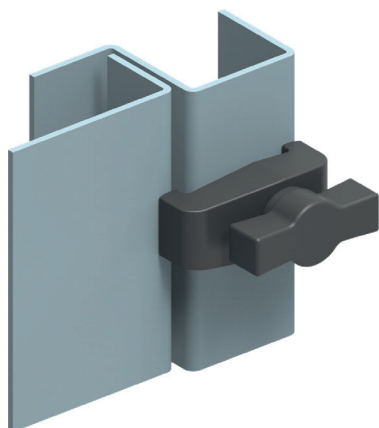
**MATERIAL**  
 HOUSING: PA6 GFR 30  
 KNOB: PA6 GFR 30  
 SCREW: Steel



This product can be produced as anti-bacterial with PA6 GFR 30% + 6% content. The raw material used has been tested in the DIN EN ISO 846 standard.



V:2

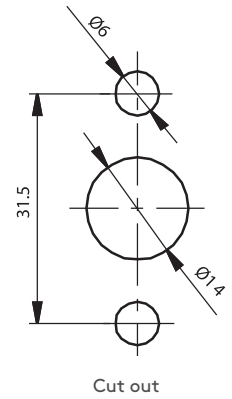
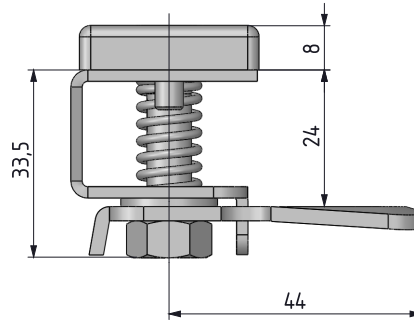


Group Code	Version
462	V

# MISCELLANEOUS PRODUCTS

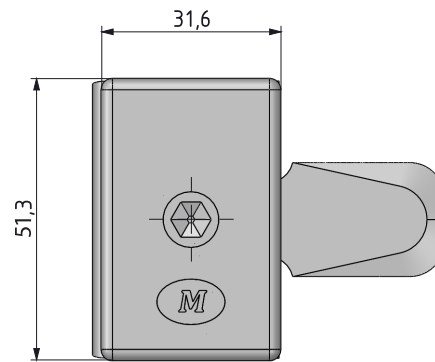
## PANEL LOCK WITH HEXAGONAL HEAD

075



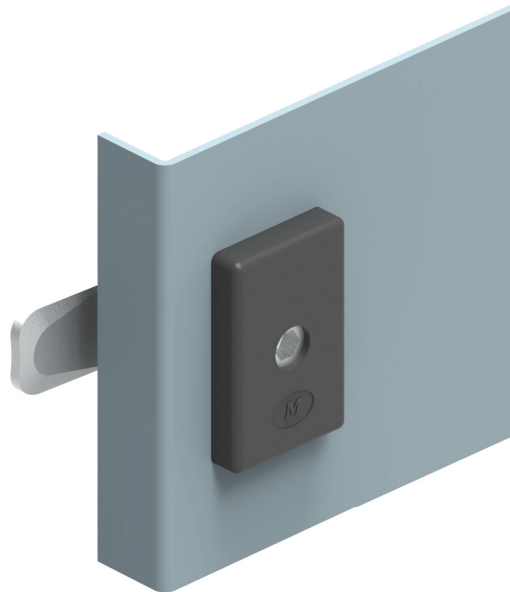
### MATERIAL

BODY: Steel  
CAM: Steel  
COVER: Plastic



## ALLEN KEY

669-66



Group Code	Door Direction
075	

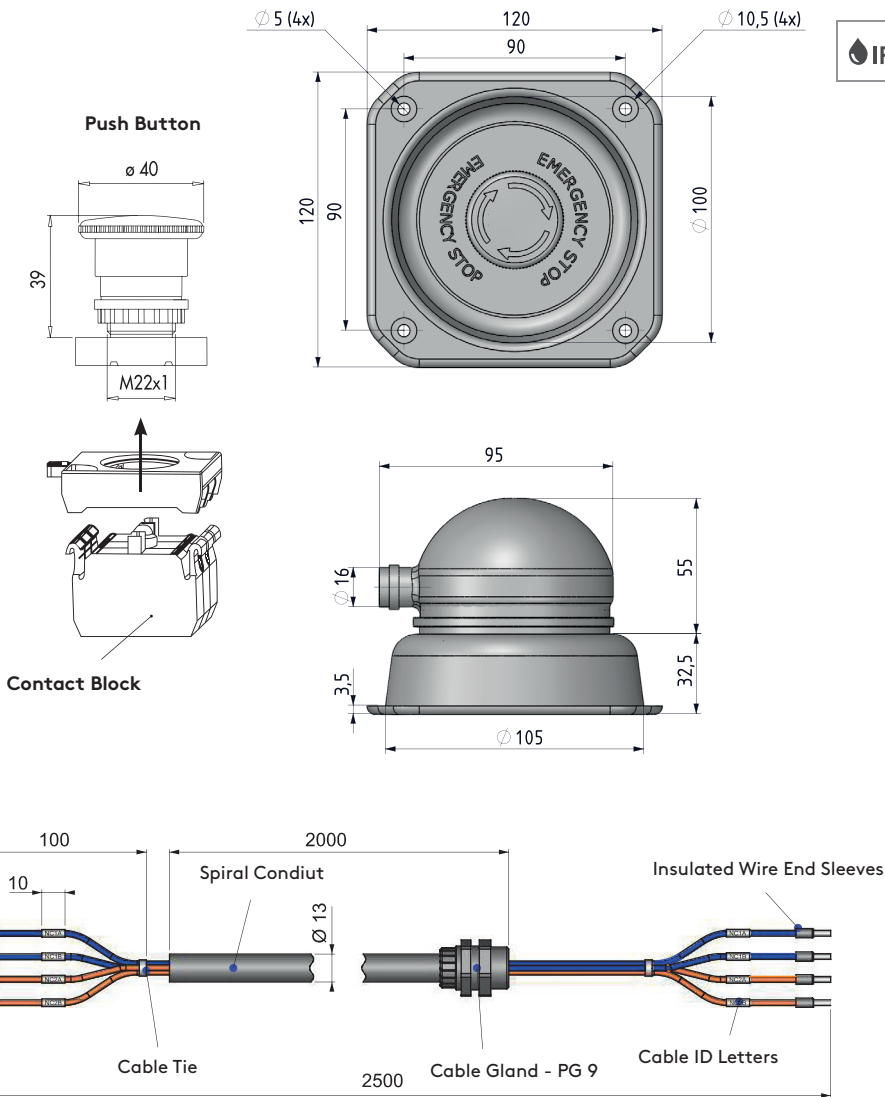
DOOR DIRECTION	
Right hand	001
Left hand	002



3501

EMERGENCY STOP BUTTON

IP 65



- Easy to install
- Different contact options (max. 3 contact)
- Standard wire length is 2.5 m  
Standard conduit length is 2 m

**MATERIAL**

**BOWL:** Polyamid DIN-EN ISO 1043-1 PA6 GFR 30  
**PROTECTIVE COVER:** PVC  
**GASKET:** EPDM  
**SPIRAL CONDUIT:** PA6  
**CABLE GLAND:** PA66

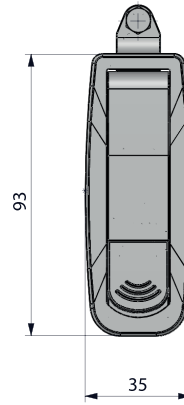
**BUTTON SPECIFICATIONS**

Mechanical Life : 500.000 operations min.  
 Electrical Life : 100.000 operations min.  
 Operating Temperature : min./max. °C -5/+40  
 Protection Degree : IP65  
 Operating Frequency : Without load 3000 oper./hour - At full load 1200 oper./hour  
 Rated Operating Voltage  $U_e$  : 230 V AC  
 Rated Operating Current  $I_e$  : 4 A  
 Insulation Voltage  $U_i$  : 300 V  
 Stroke Resistance Voltage  $U_{imp}$  : 2.5 kV  
 Standard Contact Material : AgNi  
 Insulation Resistance : 10 MΩ min. (500 V DC)  
 Dielectrical Strength :  
     Between body-contact: 2000 V AC  
     Open contact : 1500 V AC  
 Connection Cable Cross-Section : 1.5-2.5 mm<sup>2</sup>  
 Standard : UL 508/TS EN 60947-5-1/ VDE0660/IEC 60393-1

Contact Block Type		Product Code	
Normally Open	Normally Closed	LED	3501.V
-	1	-	3501.1
-	2	-	3501.2
1	1	-	3501.3
1	-	-	3501.4
2	-	-	3501.5
-	1	Fixed	3501.1.1
-	1	Flash	3501.1.2
-	2	Fixed	3501.2.1
-	2	Flash	3501.2.2
1	1	Fixed	3501.3.1
1	1	Flash	3501.3.2
1	-	Fixed	3501.4.1
1	-	Flash	3501.4.2
2	-	Fixed	3501.5.1
2	-	Flash	3501.5.2

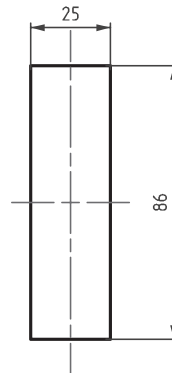
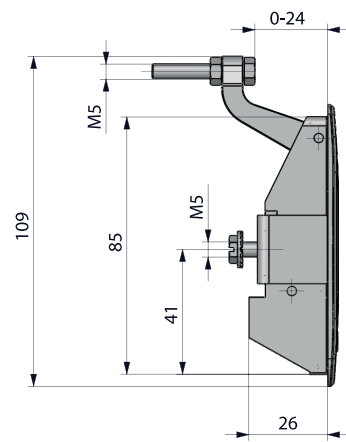
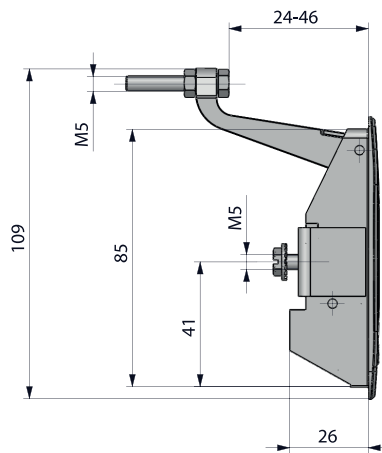
**COMPRESSION TRIGGER LOCK**

**077**



**V: 1**

**V: 2**



Cut out



- Flush trigger design
- Available with or without cylinder
- 0-24mm or 24-46mm adjustable grip range
- Suitable for panel thickness of  $\leq 2$ mm
- Assemble lock with one fixing bracket

**MATERIAL**

BODY: Zamak DIN-EN 1774-ZnAl4Cu1  
 HANDLE: Zamak DIN-EN 1774-ZnAl4Cu1  
 FIXING BRACKET: Steel

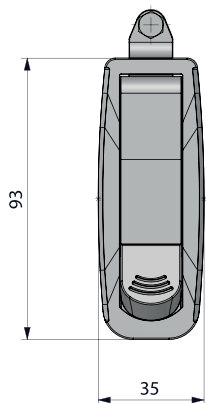
SPECIFICATIONS		DD
No cylinder		00
Keyed alike (Stainless steel dust cap)		03
Keyed differ (Stainless steel dust cap)		32
Euro key (5333)		05
CH751 (Stainless steel dust cap)		07

FINISH		F
Chrome plated		1
Black coated		2

Group Code	Version	Finish	Cylinder
<b>077</b>	<b>V</b>	<b>F</b>	<b>DD</b>

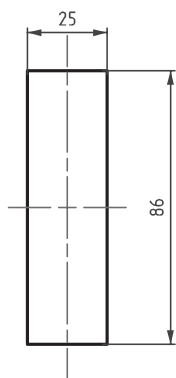
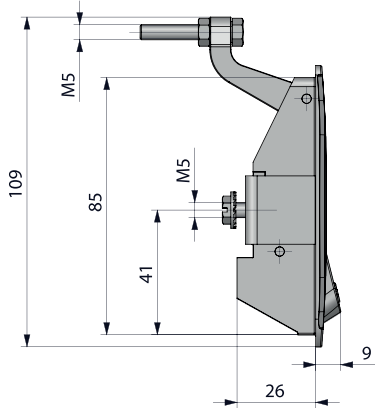
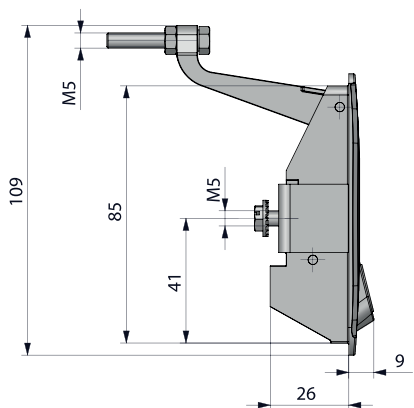


**177** COMPRESSION TRIGGER LOCK

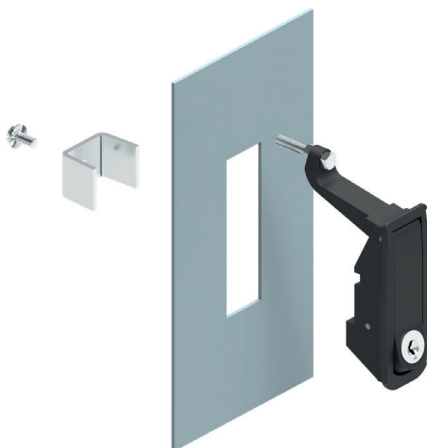


V:1

V:2



Cut out



- Raised trigger design
- Available with or without cylinder
- 0-24mm or 24-46mm adjustable grip range
- Suitable for panel thickness of ≤2mm
- Assemble lock with one fixing bracket

**MATERIAL**

BODY: Zamak DIN-EN 1774-ZnAl4Cu1  
 HANDLE: Zamak DIN-EN 1774-ZnAl4Cu1  
 FIXING BRACKET: Steel

SPECIFICATIONS		DD
No cylinder		00
Keyed alike (Stainless steel dust cap)		03
Keyed differ (Stainless steel dust cap)		32
Euro key (5333)		05
CH751 (Stainless steel dust cap)		07

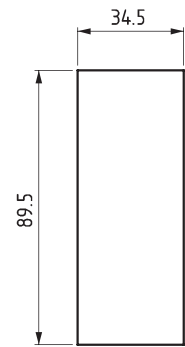
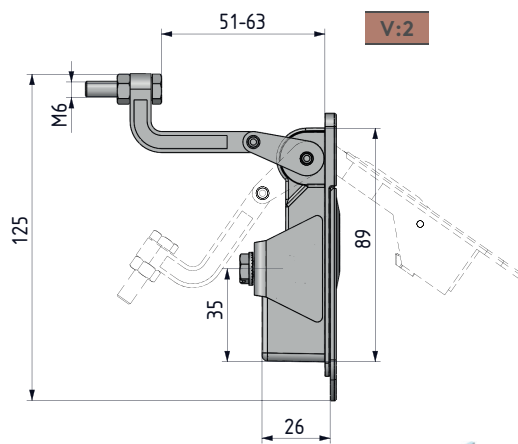
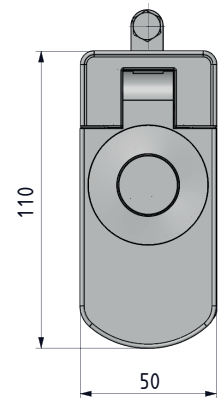
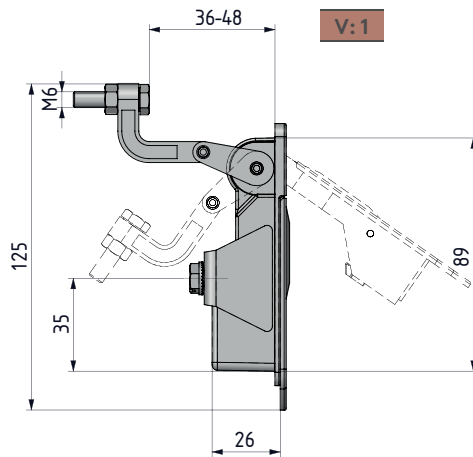
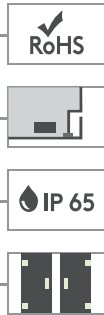
FINISH		F
Chrome plated		1
Black coated		2

DRIVER	
Slot	
DD	
42	

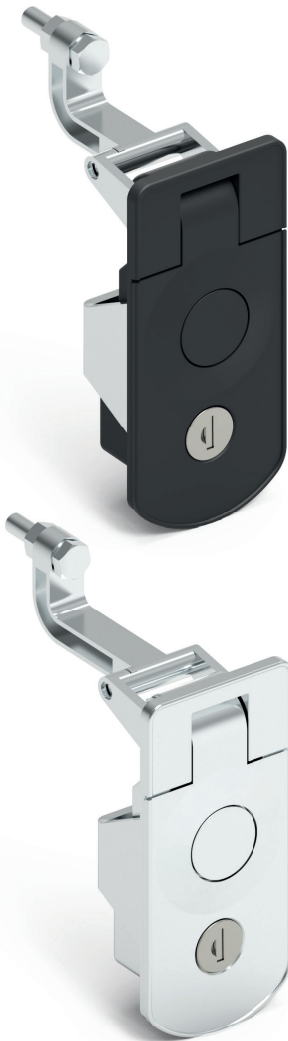
Group Code	Version	Finish	Cylinder Driver
177	V	F	DD

COMPRESSION TRIGGER LOCK

377



Cut out




- Available with or without cylinder
- 36 - 48 mm or 51 - 63 mm adjustable grip range
- Suitable for maximum 2 mm door thickness
- Assemble by only one bracket

MATERIAL

BODY: Zamak DIN-EN 1774-ZnAl4Cu1  
 HANDLE: Zamak DIN-EN 1774-ZnAl4Cu1  
 FIXING BRACKET: Steel

CYLINDER	DD
No cylinder	00
Keyed alike (Stainless steel dust cap)	03
Keyed differ (Stainless steel dust cap)	32
Euro key (5333)	05
CH751 (Stainless steel dust cap)	07

FINISH	F
Chrome plated	1
Black coated	2

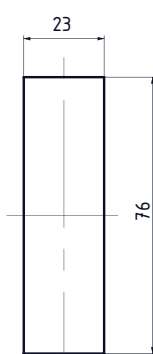
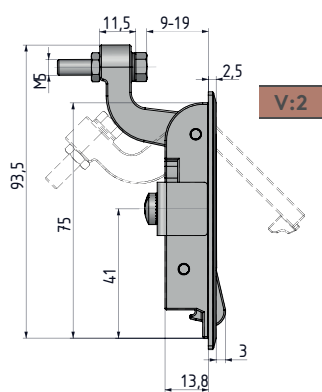
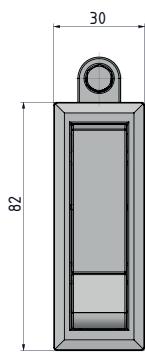
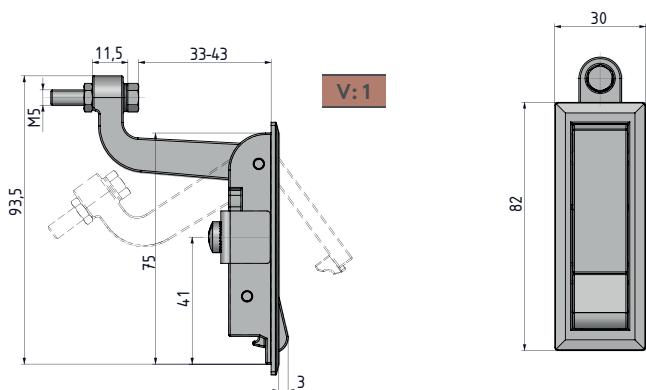
DRIVER	
Slot	
DD	
42	

Group Code	Version	Finish	Cylinder
377	V	F	DD



477

COMPRESSION TRIGGER LOCK



Cut out



- Without cylinder application
- 9 - 19 mm or 33 - 43 mm adjustable grip range.
- Suitable for maximum 2 mm door thickness
- Assembly by only one bracke

**MATERIAL**

BODY: Zamak DIN-EN 1774-ZnAl4Cu1  
 HANDLE: Zamak DIN-EN 1774-ZnAl4Cu1  
 FIXING BRACKET: Steel

FINISH	F
Chrome plated	1
Black coated	2

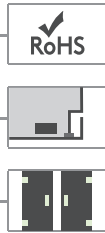
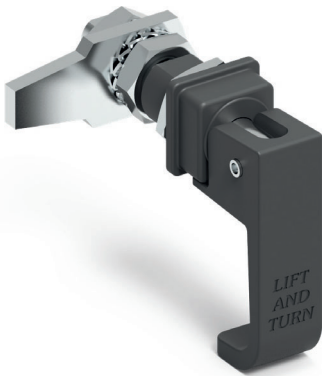
Group Code	Version	Finish	Cylinder
477	V	F	00



**LIFT-AND-TURN LOCK**

**170**

ALL IN METAL



- For cabinets that require better sealing under vibrating conditions
- Provides 5 mm of compression
- Provides noise isolation
- Three cam alternatives available

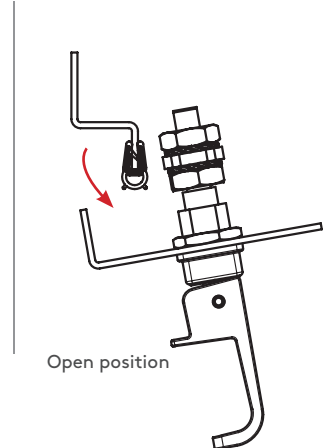
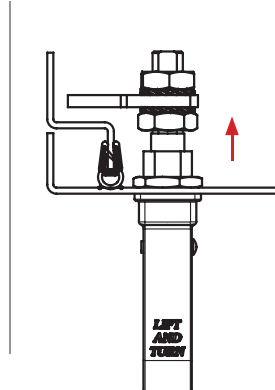
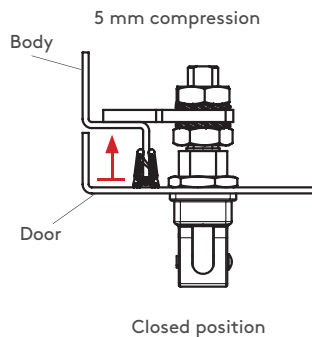
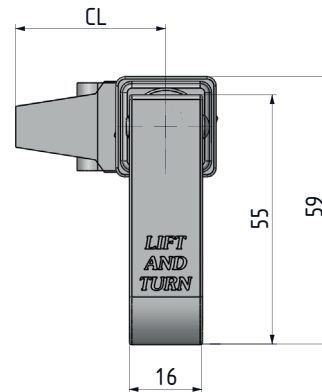
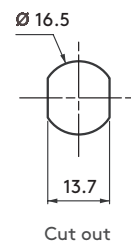
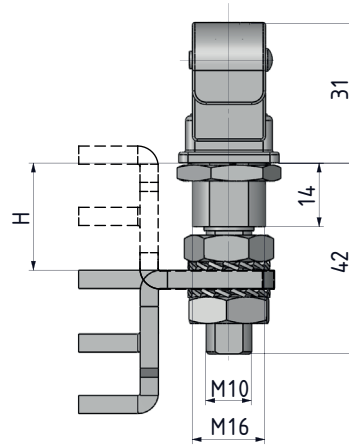
**MATERIAL**

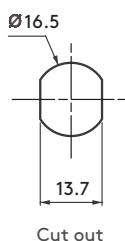
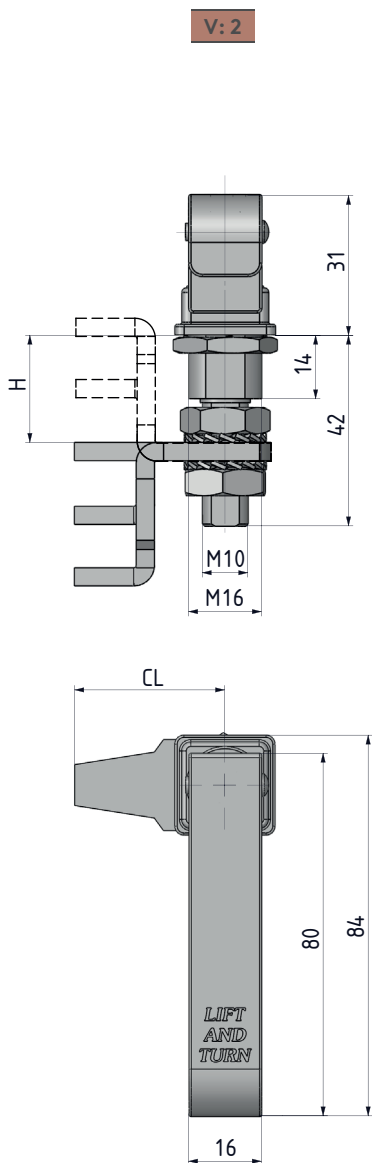
HOUSING: Zamak DIN-EN 1774-ZnAl4Cu1  
 HANDLE: Zamak DIN-EN 1774-ZnAl4Cu1  
 CAM: Steel

**FINISH**

Chrome plated or black coated

V:1





170

LIFT-AND-TURN LOCK

ALL IN METAL



- For cabinets that require better sealing under vibrating conditions
- Lock provides 5 mm of compression
- Provides noise isolation
- Three cam alternatives available

MATERIAL

HOUSING: Zamak DIN-EN 1774-ZnAl4Cu1  
HANDLE: Zamak DIN-EN 1774-ZnAl4Cu1  
CAM : Steel

FINISH

Chrome plated or black coated

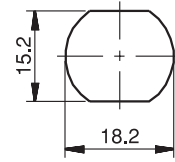
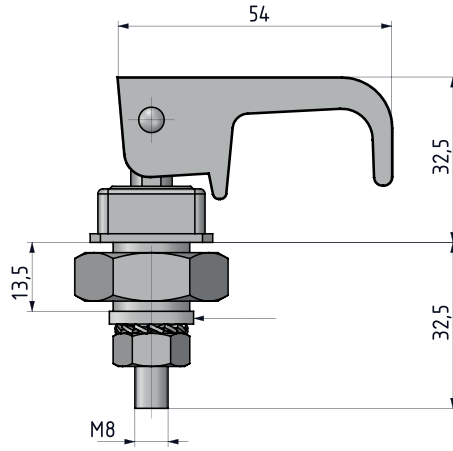
CAM	CC	CH	CL	H GRIP	
				MIN CAM	MAX CAM
1	01	0	33	22.5	30
2	02	14	33	8.5	44
3	03	27.5	33	0	57.5

FINISH	F
Chrome plated	1
Black coated	2

Group Code	Version	Material	Finish	Cam
170	V	1	F	CC

**LIFT-AND - TURN LOCK**

**070**



Cut out

- Suitable for steel and polyester panels
- Provides 5 mm of compression

**MATERIAL**

BODY: Polyamide DIN-EN ISO 1043-1 PA6 GFR 30  
 CAM: Steel





072

FUNCTIONAL LOCK

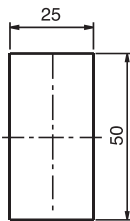
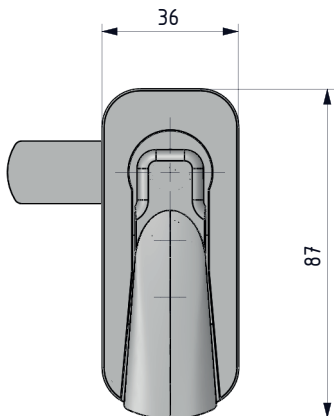
- IP 54
- 
- RoHS
- 
- 
- 



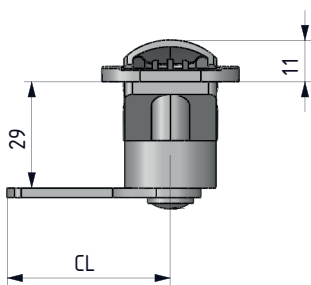
- Suitable for steel and polyester panels
- Standard cut out for both versions
- Clip fixing version suitable for panels with thickness of between 0.8 mm and 2 mm

MATERIAL

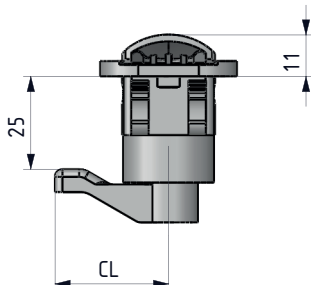
BODY: Polyamide DIN-EN ISO 1043-1 PA6 GFR 30  
 CAM: Steel or PA6 GFR 30



Cut out

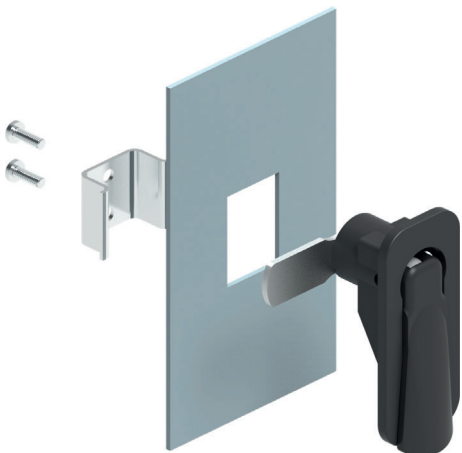


Steel cam



Plastic cam  
CC: 80

V:1



V:2

Clip-in fixing



DT	
Min	Max
0.8mm	2mm

DT (DOOR THICKNESS)

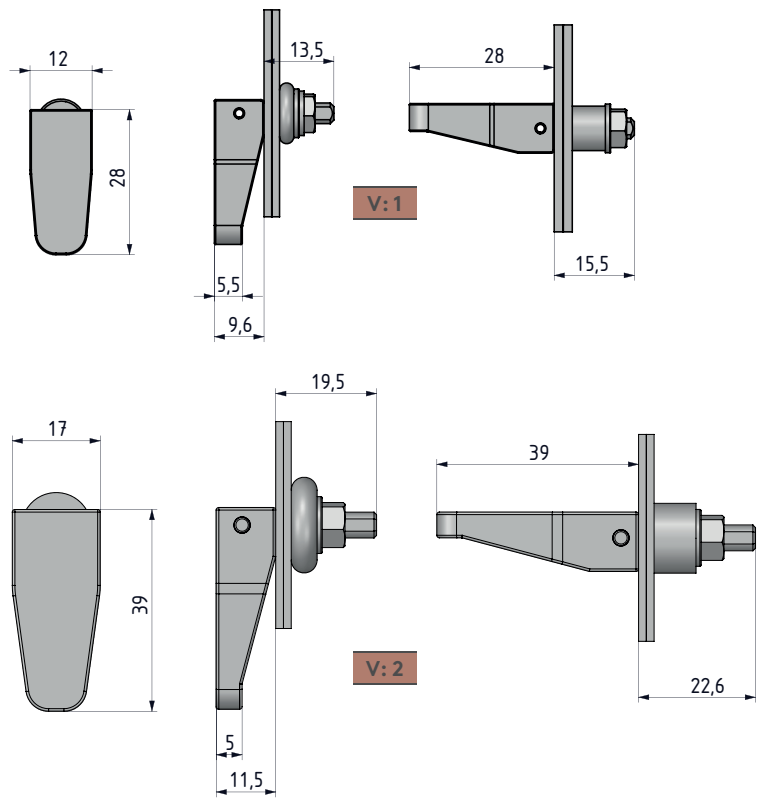
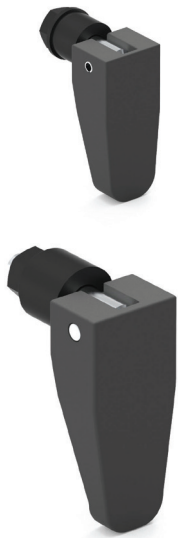
Group Code	Version	Cam	Door Direction
072	V	CC	

DOOR DIRECTION	
Right hand	001
Left hand	002

For cams please check page: 175 (CAM-1)

**SWELL LOCK**

**270**



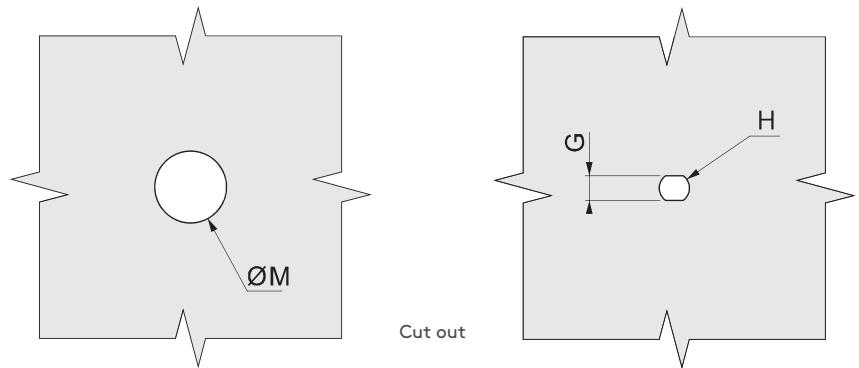
- Used for the cabinets that require better under vibration conditions.
- It is suitable with special cut out for different frame thickness.

**MATERIAL**

HANDLE: Polyamide DIN-EN ISO 1043-1 PA6 GFR 30  
 WASHER: PA66  
 NUT : PA66  
 BUSHING : SBR Rubber

Back panel

Front panel



VERSION	G +0.1 -0.0	H +0.1 -0.0	FRAME THICKNESS	CUT OUT ØM
1	3.3	4.1	3.2	9.5
2	4.5	5.8	Up to 3.2	13.5
			3.2 - 4.8	14

Group Code	Material	Finish	Version
270	2	0	V



270

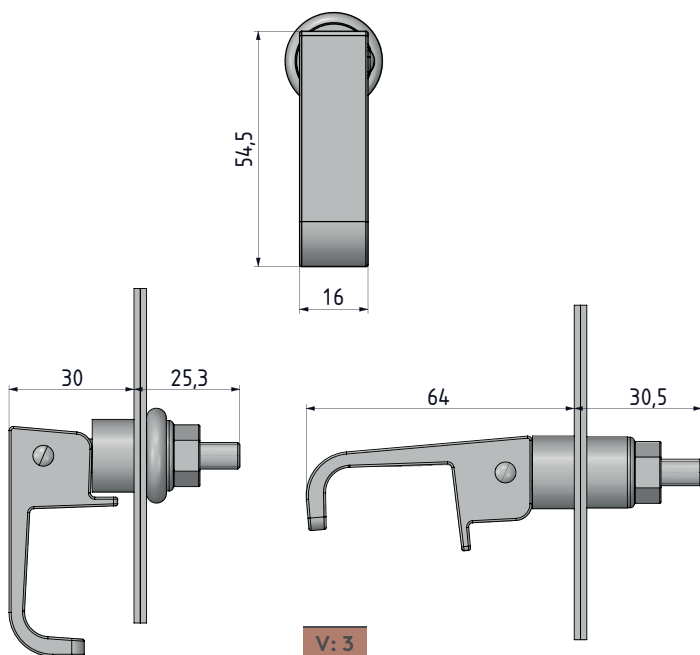
SWELL LOCK



- Used for the cabinets that require better under vibration conditions.
- It is suitable with special cut out for different frame thickness.

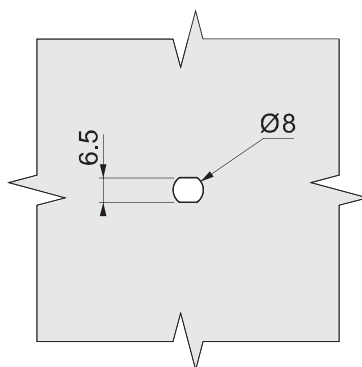
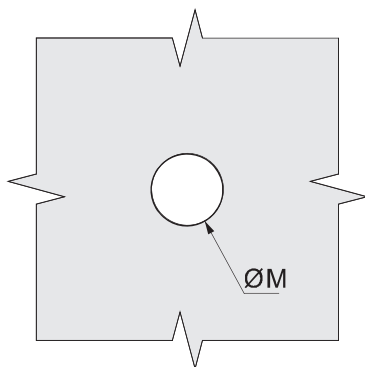
**MATERIAL**

HANDLE: Zamak DIN-EN 1774-ZnAl4Cu1  
 WASHER: PA66  
 NUT : PA66  
 BUSHING : SBR Rubber



Back panel

Front panel



Cut out

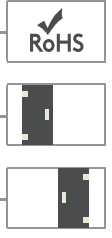
FRAME THICKNESS	CUT OUT ØM
1.2-3.2	19
3.2-4.8	19.5
4.8-6.4	20
6.4 and up	20.5

Group Code	Material	Finish	Version
270	1	2	V

**ROTARY LATCH (MINI)**

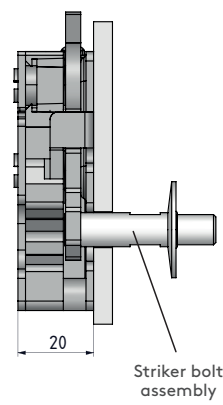
**2800**

**BOTTOM**

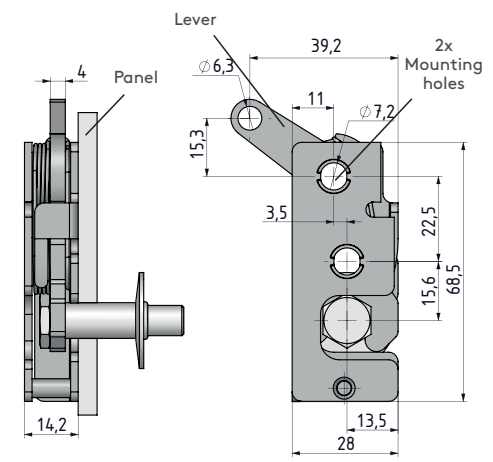


**Bumper Version**

Dimensions are same as standard version except as shown



**Standard Version**



(Left hand application)

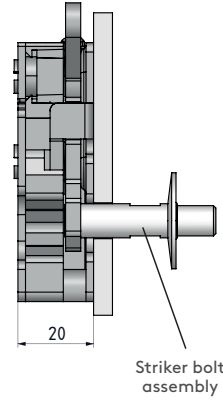
**ROTARY LATCH (MINI)**

**TOP**

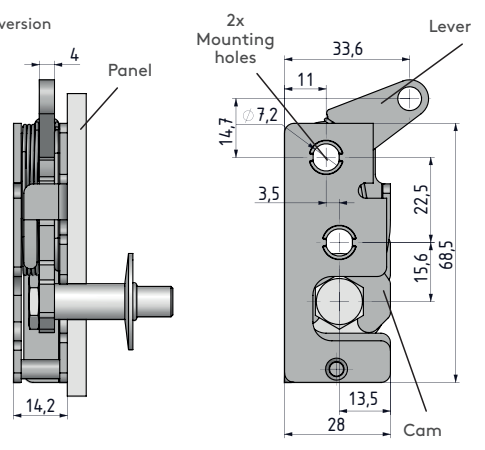


**Bumper Version**

Dimensions are same as standard version except as shown



**Standard Version**



(Left hand application)

- Six different lever type
- Single or two stage actuation type
- Bumper version for vibrating conditions

**MATERIAL**  
BODY: Steel  
BUMPER: PA6

**FINISH**  
Zinc Plated

LEVER TYPE	LT
Bottom	1
Top	2

MOUNTING TYPE	MT
Ø7,2	1
M6	2
1/4"	3

ACTUATION	A
Single	1
Two	2

VERSION	V
Standard	1
Bumper	2

DOOR DIRECTION	
Right hand	001
Left hand	002

Group Code	Version	Lever Type	Mounting Type	Actuation	Door Direction
<b>2800</b>	<b>V</b>	<b>LT</b>	<b>MT</b>	<b>A</b>	

- For striker bolts check page : 153
- For cables & accessories check page: 158-159
- For locks check page: 192 - 271



2800

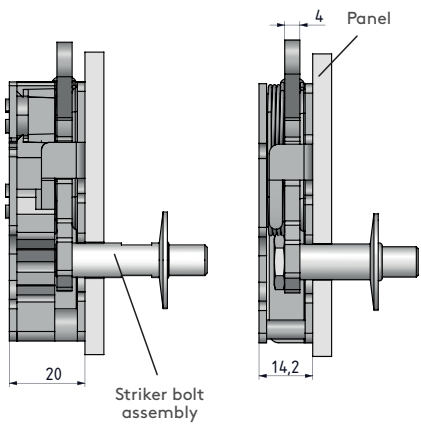
ROTARY LATCH (MINI)

IN LINE



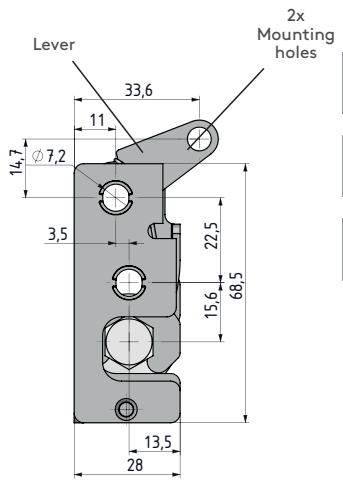
Bumper Version

Dimensions are same as standard version except as shown



(Left hand application)

Standard Version



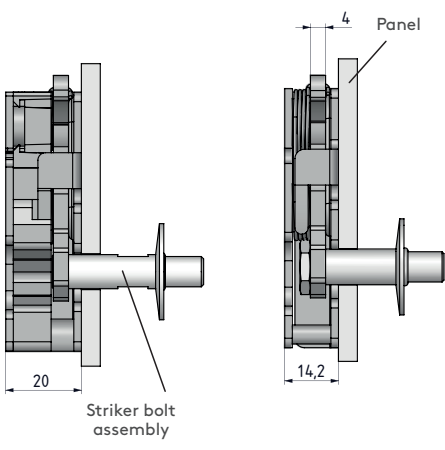
ROTARY LATCH (MINI)

HAND ACTUATION



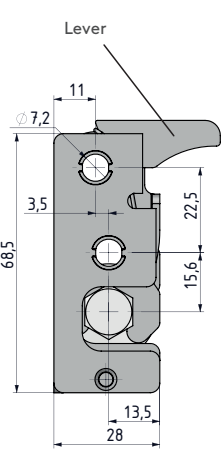
Bumper Version

Dimensions are same as standard version except as shown



(Left hand application)

Standard Version



- Six different lever type
- Single or two stage actuation type
- Bumper version for vibrating conditions

**MATERIAL**  
BODY: Steel  
BUMPER: PA6

**FINISH**  
Zinc Plated

LEVER TYPE	LT	MOUNTING TYPE	MT	ACTUATION	A
In Line	3	Ø7,2	1	Single	1
Hand Actuation	4	M6	2	Two	2
		1/4"	3		

VERSION	V	DOOR DIRECTION
Standard	1	Right hand 001
Bumper	2	Left hand 002

Group Code	Version	Lever Type	Mounting Type	Actuation	Door Direction
2800	V	LT	MT	A	

- For striker bolts check page : 153
- For cables & accessories check page: 158-159
- For locks check page: 192 - 271

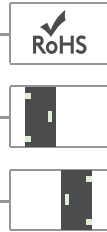


# MISCELLANEOUS PRODUCTS

## ROTARY LATCH (MINI)

2800

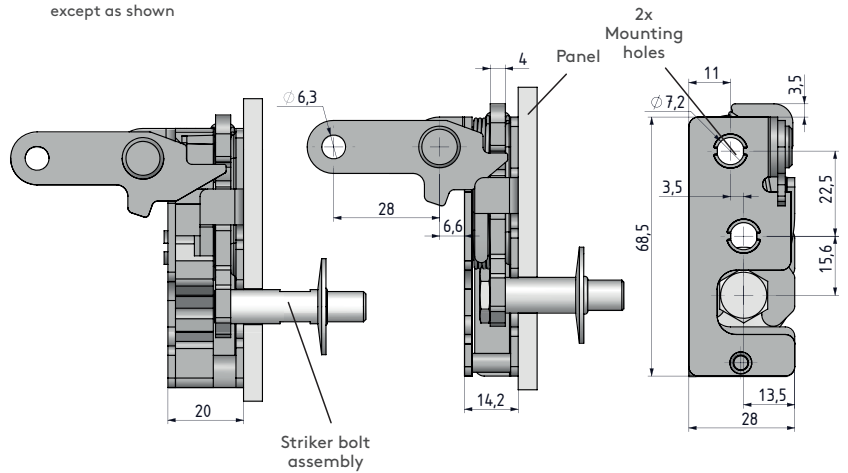
### PERPENDICULAR



### Bumper Version

Dimensions are same as standard version except as shown

### STANDART VERSION



(Left hand application)

## ROTARY LATCH (MINI)

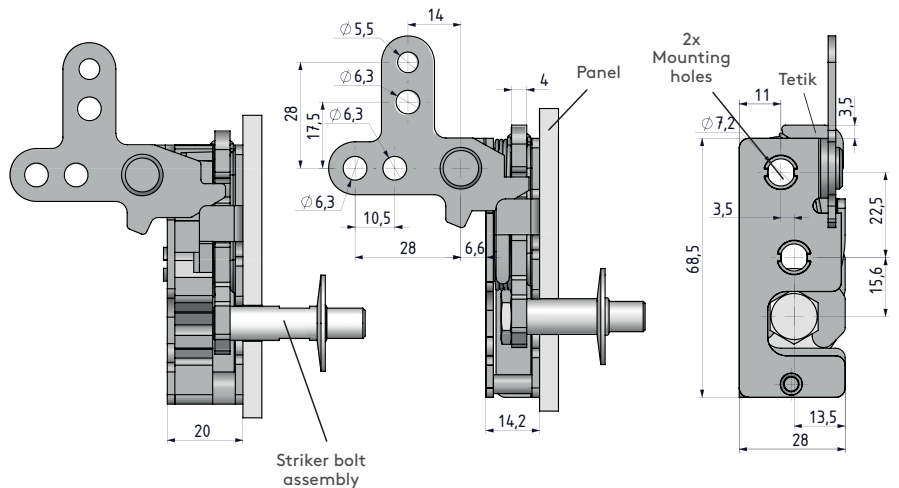
### TWO POINT



### Bumper Version

Dimensions are same as standard version except as shown

### STANDART VERSION



(Left hand application)

- Six different lever type
- Single or two stage actuation type
- Bumper version for vibrating conditions

**MATERIAL**  
BODY: Steel  
BUMPER: PA6

**FINISH**  
Zinc Plated

LEVER TYPE	LT
Perpendicular	5
Two Point	6

MOUNTING TYPE	MT
Ø7,2	1
M6	2
1/4"	3

ACTUATION	A
Single	1
Two	2

VERSION	V
Standard	1
Bumper	2

DOOR DIRECTION	
Right hand	001
Left hand	002

For striker bolts check page : 153

For cables & accessories check page: 158-159

For locks check page: 192 - 271

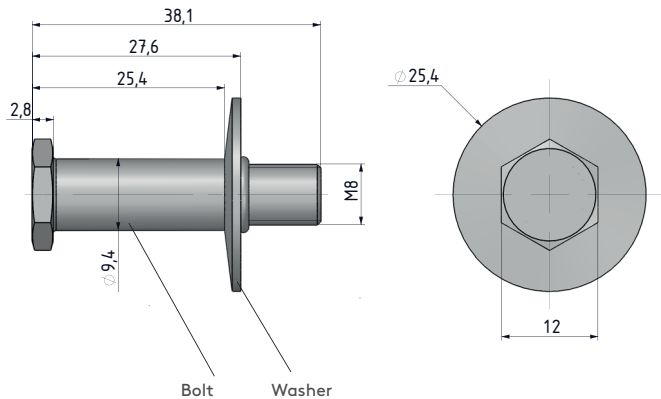
Group Code	Version	Lever Type	Mounting Type	Actuation	Door Direction
2800	V	LT	MT	A	



SB.1

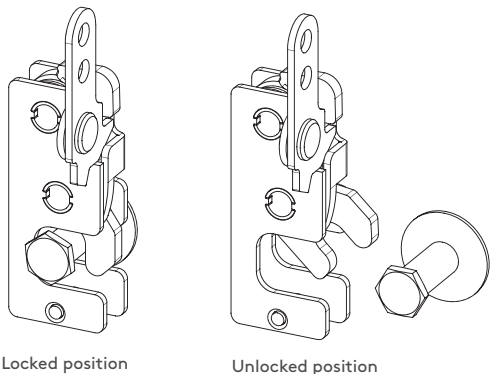
STRIKER BOLT (MINI)

Standard Version



MATERIAL  
BODY: Steel

FINISH  
Zinc Plated



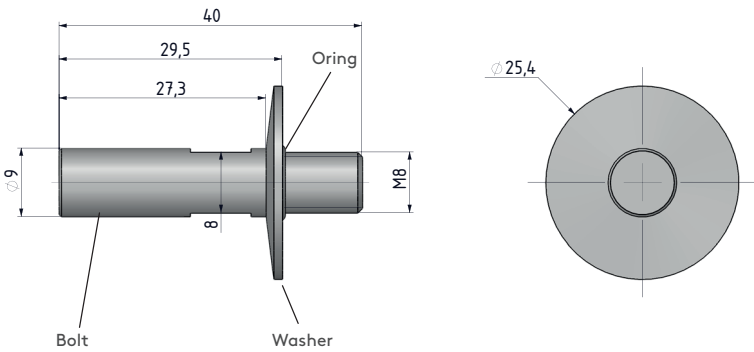
Locked position

Unlocked position

SB.2

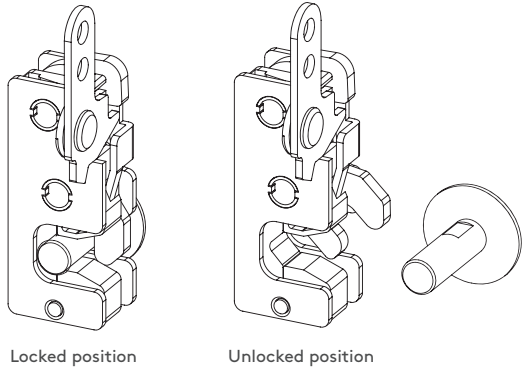
STRIKER BOLT (MINI)

Bumper Version



MATERIAL  
BODY: Steel

FINISH  
Zinc Plated



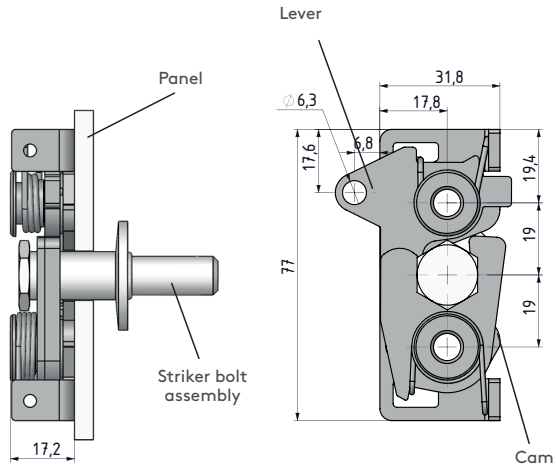
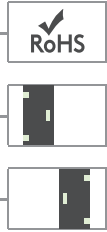
Locked position

Unlocked position

ROTARY LATCH (LARGE)

2810

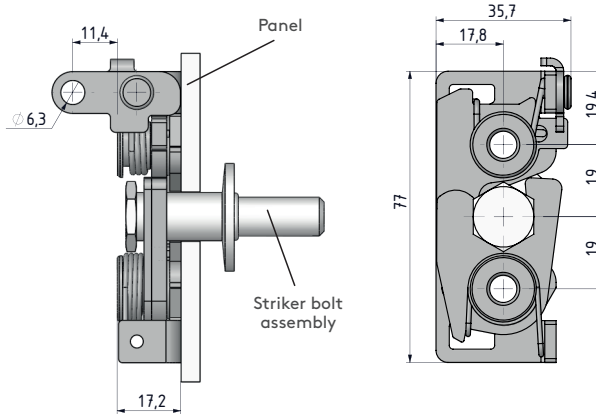
BOTTOM



(Left hand application)

ROTARY LATCH (LARGE)

PERPENDICULAR



(Left hand application)

- Three different lever type
- Two stage actuation type

**MATERIAL**  
BODY: Steel

**FINISH**  
Zinc Plated

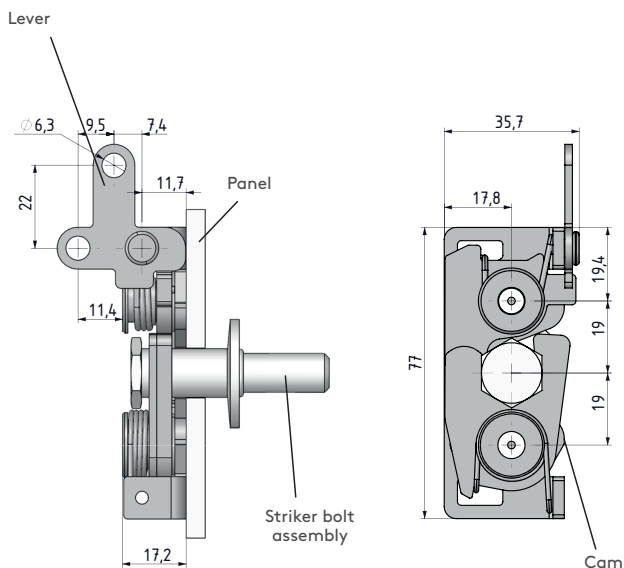
LEVER TYPE	LT	MOUNTING TYPE	MT
Top	1	Ø7,2	1
Perpendicular	2	M6	2
Two Point	3	1/4"	3

Group Code	Lever Type	Mounting Type	Door Direction
2810	LT	MT	

For striker bolts please check page :155

For cables & accessories check page: 158-159

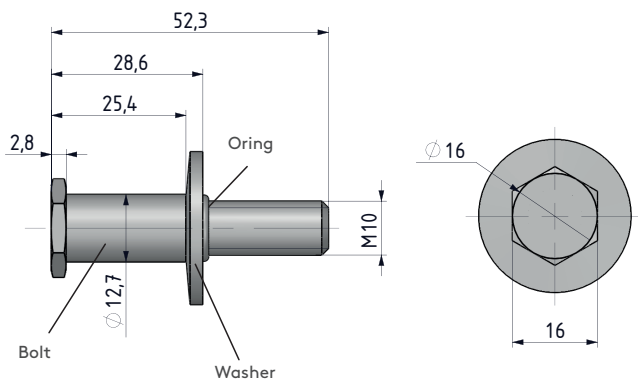
For locks check page: 192 - 271



2810

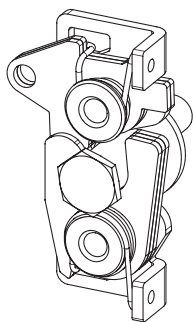
ROTARY LATCH (LARGE)

TWO POINT

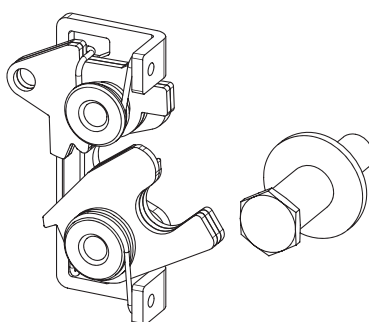


SB.3

STRIKER BOLT (LARGE)



Locked position



Unlocked position

**MATERIAL**  
BODY: Steel

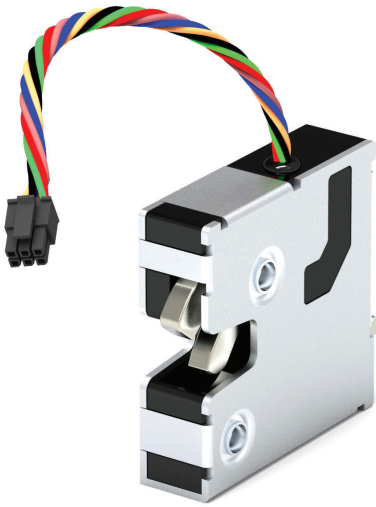
**FINISH**  
Zinc Plated

For cables & accessories check page: 158-158

For locks check page: 192 - 271

ELECTRONIC ROTARY LATCH

3331



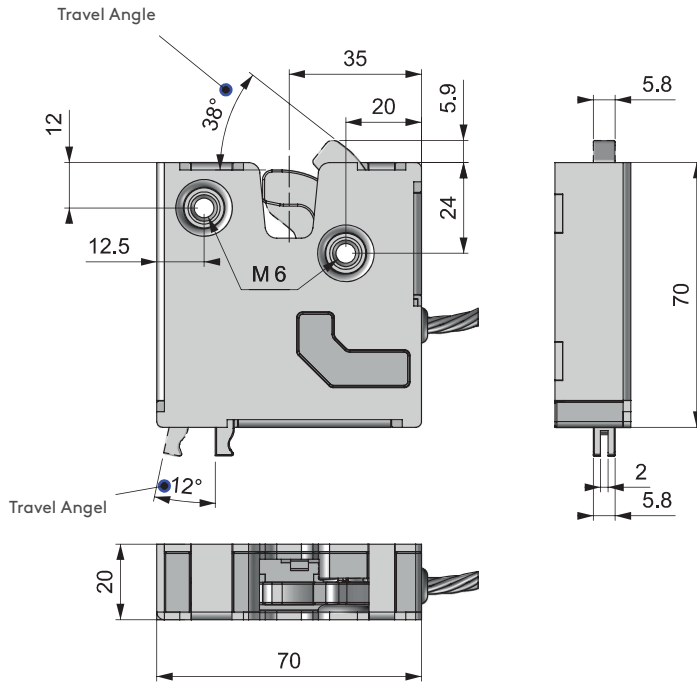
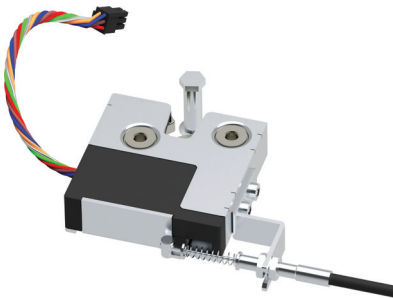
- Push to Close
- Mechanical override
- Stainless steel cam and trigger
- Integrated microswitch for lock status
- Microprocessor controlled gear motor
- Compatible with access control systems

MATERIALS

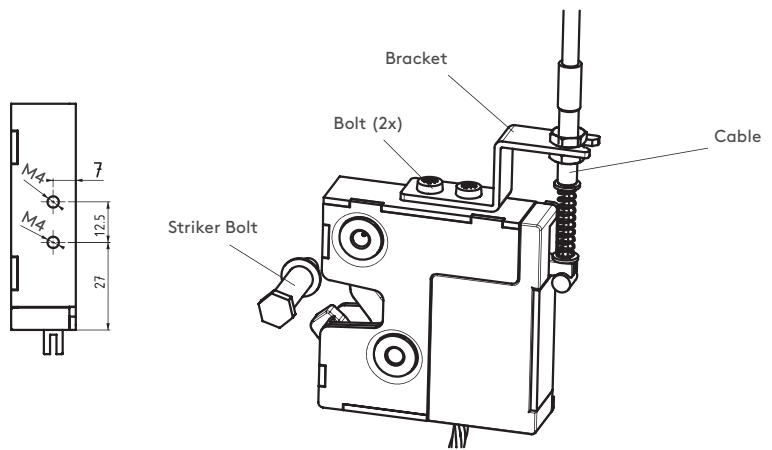
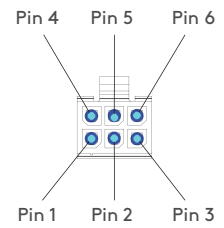
BODY: Steel and PA6 GFR 30  
CAM: Stainless Steel

TECHNICAL SPECIFICATIONS

Operating Voltage : 9 - 24 Volt  
Cable Length : 150 mm  
Current : Max 500 MA



PIN	COLOR	VALUE
Pin 1	Black	GND
Pin 2	Green	12 Volt DC
Pin 3	Orange	Signal
Pin 4	Red	Microswitch COM
Pin 5	Blue	Microswitch NO
Pin 6	Brown	Microswitch NC



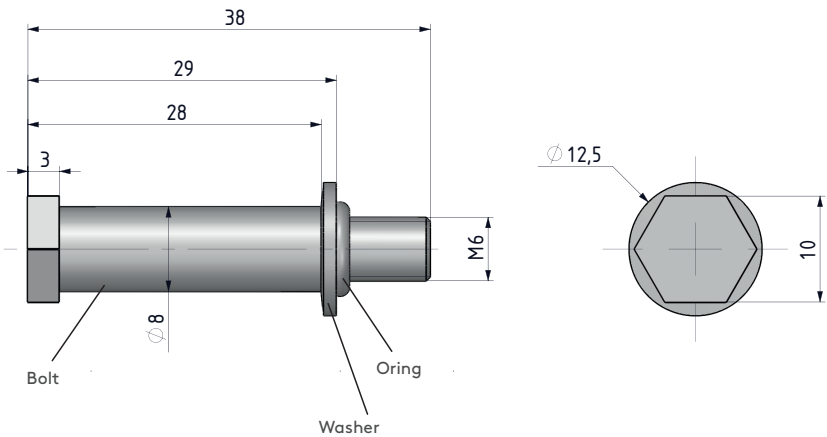
Group Code	Mounting Type
3331	MT

MOUNTING TYPE	MT
Ø7,2	1
M6	2
1/4"	3



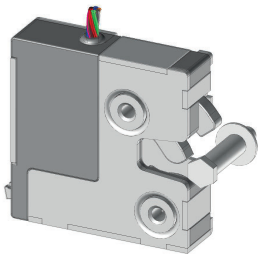
SB.4

STRIKER BOLT

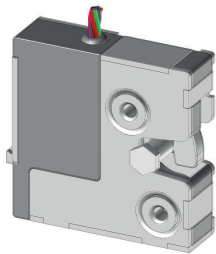


MATERIAL  
BODY: Steel

FINISH  
Zinc Plated



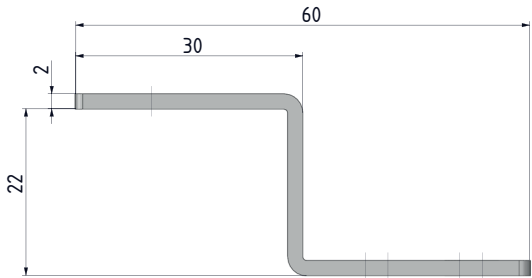
Locked position



Unlocked position

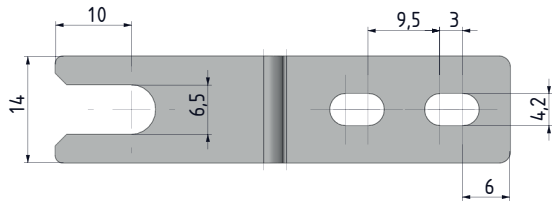
321.03.068

CABLE MOUNTING BRACKET



MATERIAL  
BODY: Steel

FINISH  
Zinc Plated

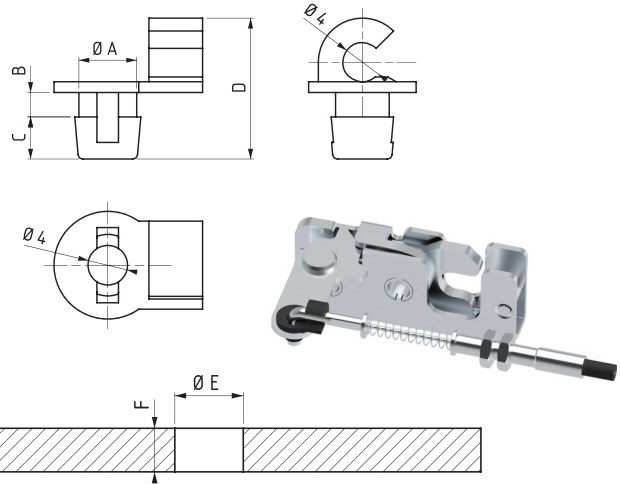


For cables & accessories check page: 158-159

For locks check page: 192 - 271

**RETAINER CLIP**

(Cable Accessory)



**MATERIAL**  
PA6

A	B	C	D	E	F	TRIGGER LEVER	PRODUCT CODE
5.9	2.5	4.3	14.4	6.3	2	Perpendicular, In line, Two point	<b>320.02.193</b>
5.9	4.5	4.3	16.4	6.3	4	Top, Bottom	<b>320.02.194</b>

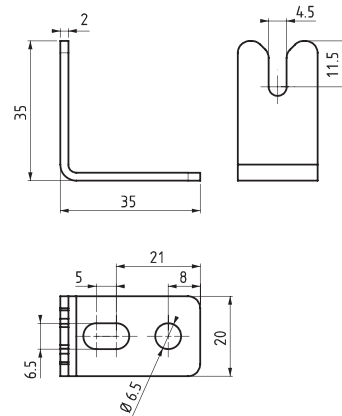
**CABLE MOUNTING BRACKET**

(Cable Accessory)



**MATERIAL**  
BODY: Steel

**FINISH**  
Zinc Plated



**PRODUCT CODE**  
**321.03.044**

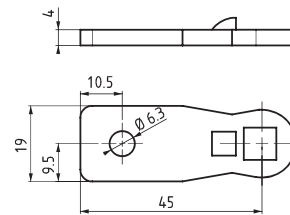
**ACTUATOR CAM**



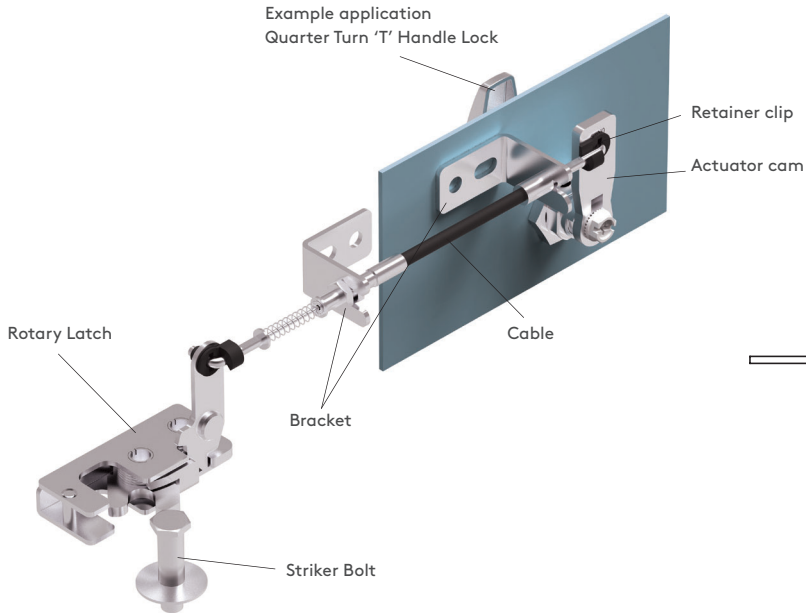
**MATERIAL**  
BODY: Steel

**FINISH**  
Zinc Plated

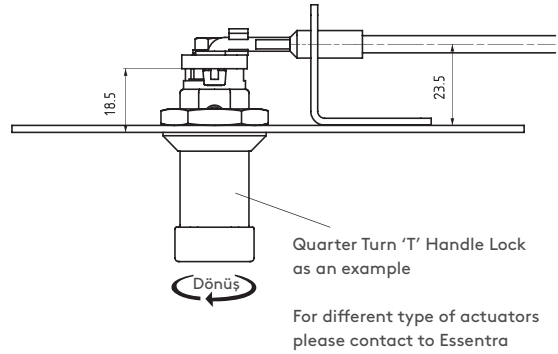
For any actuator cam  
please contact to sales  
team



PRODUCT CODE	CC	CH	CL
<b>30403779Y</b>	98	0	45



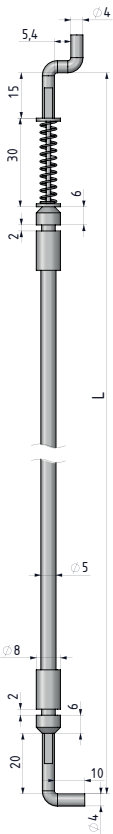
EXAMPLE APPLICATION



Quarter Turn 'T' Handle Lock as an example

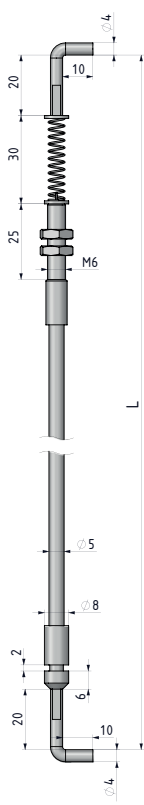
For different type of actuators please contact to Essentra

V: 1



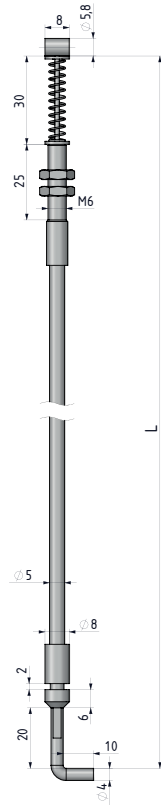
Suitable for Rotary Latch  
Mini and Large applications  
without Retainer Clip

V: 2



Suitable for Rotary Latch  
Mini and Large applications  
with Retainer Clip

V: 3



Only for Electronic Rotary Latch

2801

CABLES



MATERIAL  
BODY: Steel

FINISH  
Zinc Plated

Note: Cable diameter is 1.5 mm

Group Code	Version	TYPE	Lenght
2801	V	T	L

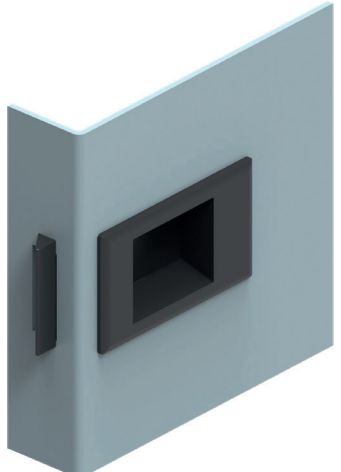
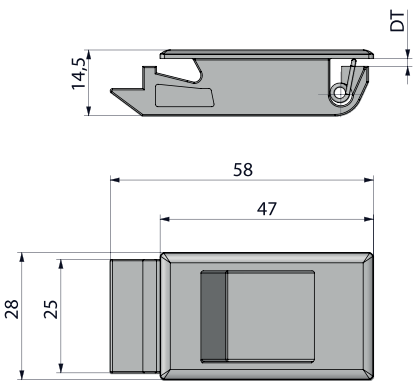
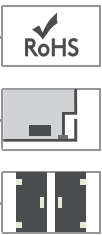
TYPE	T	LENGHT (L)
With spring	1	1000 mm
Without spring	0	1500 mm
		2000 mm



# MISCELLANEOUS PRODUCTS

## SLIDING LOCK

071



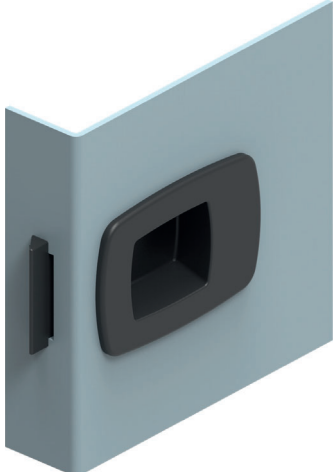
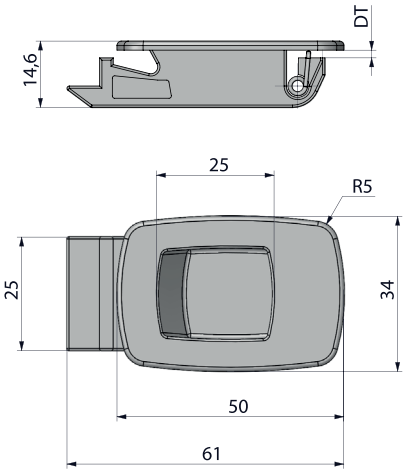
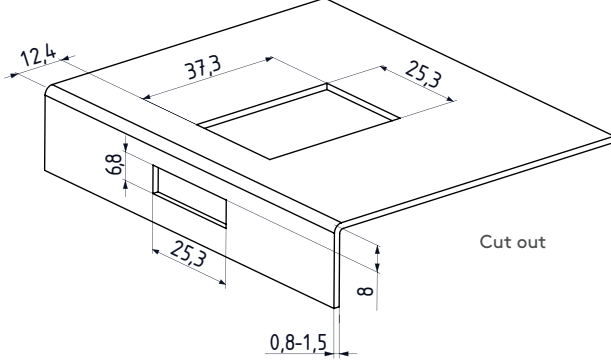
- Easy fixing
- Long-lasting stainless steel spring
- Suitable for panel thicknesses of between 0.8 mm and 1.5 mm

**MATERIAL**  
 BODY: ABS  
 SPRING: Stainless Steel

SPECIFICATIONS	PRODUCT CODE
0.8 -1.2 mm thickness panel	07112
1.2 -1.5 mm thickness panel	07115

## SLIDING LOCK

371



- Stylish design
- Easy fixing
- Long-lasting spring
- Suitable for panel thicknesses of between 0.8 mm and 1.5 mm
- Suitable for small doors
- For different colour choices please contact Essentra

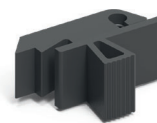
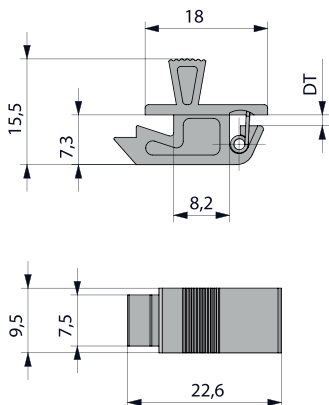
**MATERIAL**  
 BODY: ABS  
 SPRING: Stainless Steel

SPECIFICATIONS	PRODUCT CODE
0.8 -1.2 mm thickness panel	37112
1.2 -1.5 mm thickness panel	37115



171

MINI SLIDING LOCK

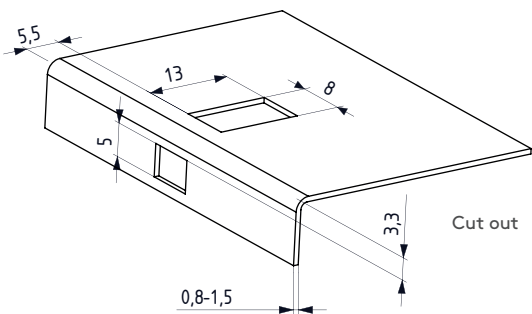


- Suitable for small doors and inside panels
- Suitable for panel thicknesses of between 0.8 mm and 1.5 mm

**MATERIAL**

BODY: ABS

SPRING: Stainless Steel

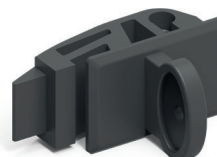
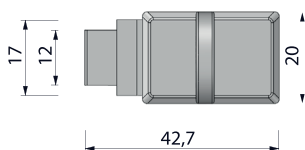
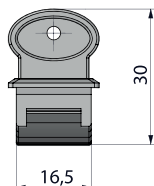
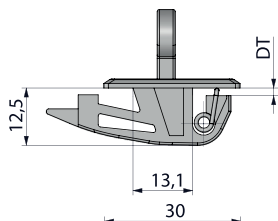


DT: DOOR THICKNESS	
Min	Max
0.8mm	1.5mm

Cut out

471

MINI SLIDING LOCK

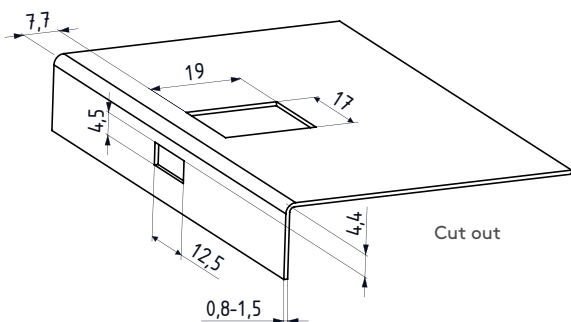


- Suitable for small doors and inside panels
- Suitable for panel thicknesses of between 0.8 mm and 1.5 mm

**MATERIAL**

BODY: ABS

SPRING: Stainless Steel

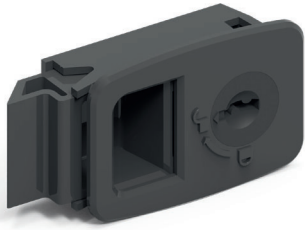


Cut out

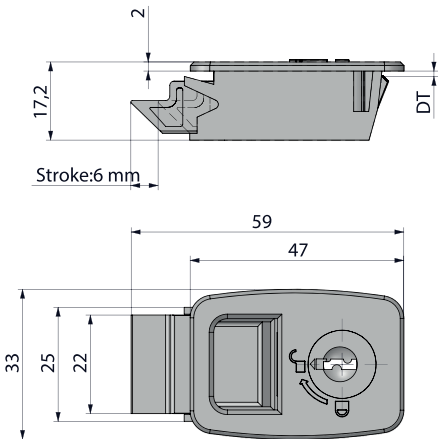
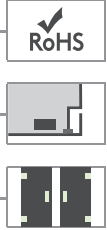
SPECIFICATIONS	PRODUCT CODE
0.8 -1.2 mm thickness panel	47112
1.2 -1.5 mm thickness panel	47115

# MISCELLANEOUS PRODUCTS

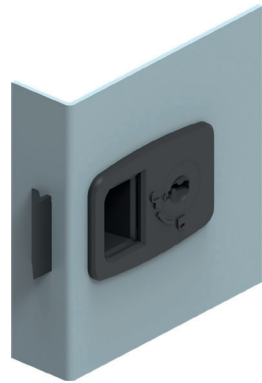
## SLIDING LOCK 671



671



DT: DOOR THICKNESS	
Min	Max
0.8mm	1.5mm



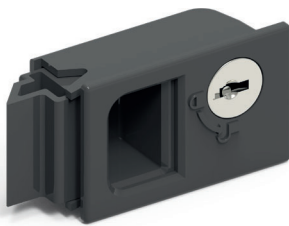
- Cylinder Locking System
- Eliminates the risk of scratch on paint thanks to the 2 part design.
- Suitable for small size doors
- Easy assembly by clips
- Suitable for panel thicknesses of 0.8 - 1.5 mm

**MATERIAL**  
 BODY: ABS  
 SPRING: Stainless steel  
 CYLINDER: PA6 GFR 30

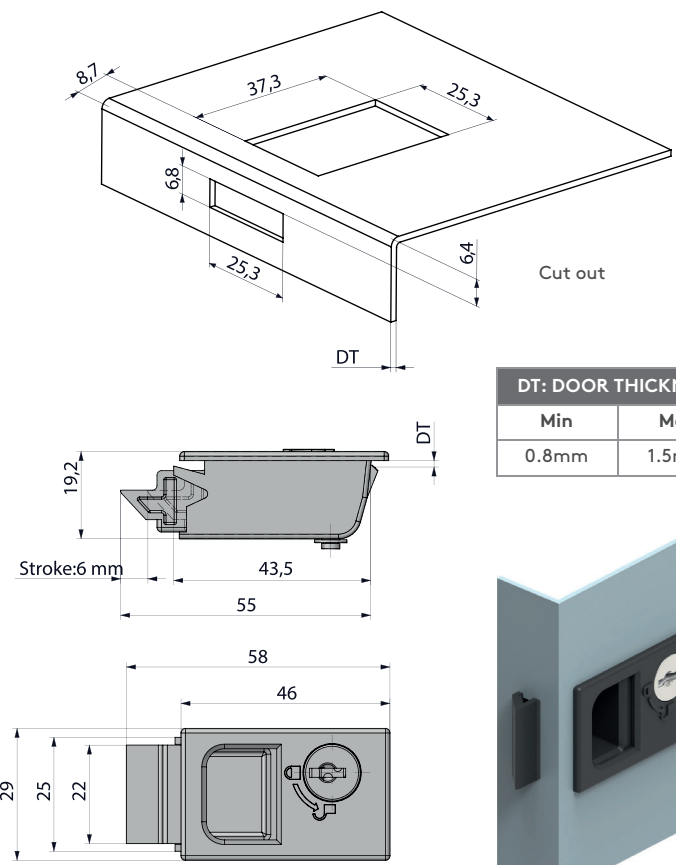
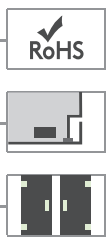
Group Code	Cylinder
671	DD

CYLINDER		DD
	Keyed alike	01
	Euro key (5333)	05

## SLIDING LOCK 571



571



DT: DOOR THICKNESS	
Min	Max
0.8mm	1.5mm



- Cylinder Locking System
- Eliminates the risk of scratch on paint thanks to the 2 part design.
- Suitable for small size doors
- Easy assembly by clips
- Suitable for panel thicknesses of 0.8 - 1.5 mm

**MATERIAL**  
 BODY: ABS  
 SPRING: Stainless steel  
 CYLINDER: Zamak DIN-EN 1774-ZnAl4Cu1

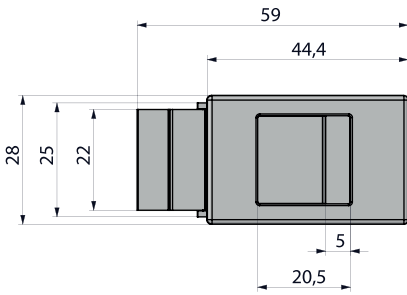
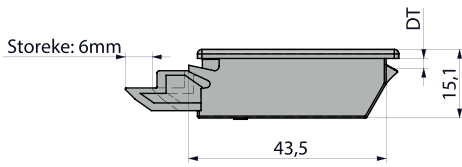
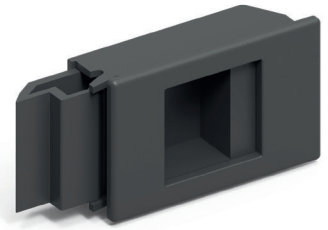
Group Code	Cylinder
571	DD

CYLINDER		DD
	Stainless steel dust cap (Keyed alike)	03



271

SLIDING LOCK

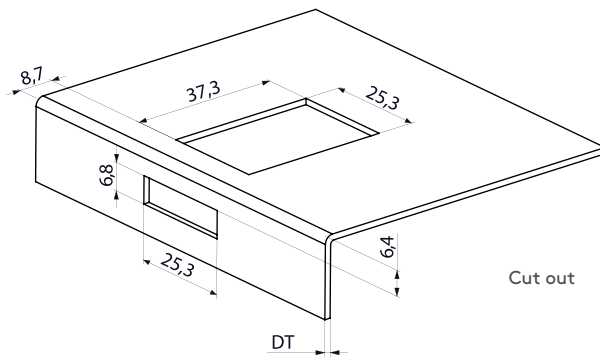


DT: DOOR THICKNESS	
Min	Max
0.8mm	1.5mm

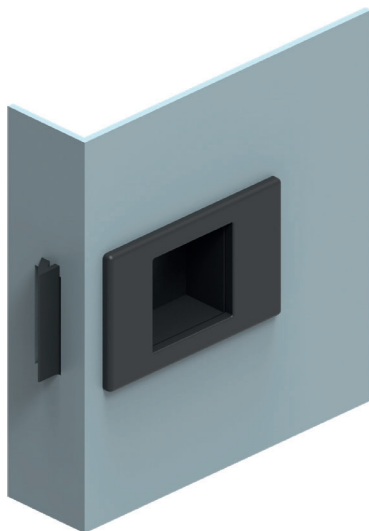
- Two-piece design eliminates paint problems on doors
- Suitable for small doors
- Easy assembly with clips on body
- Suitable for panel thicknesses of between 0.8 mm and 1.5 mm

**MATERIAL**

BODY: ABS  
 SPRING: Stainless Steel

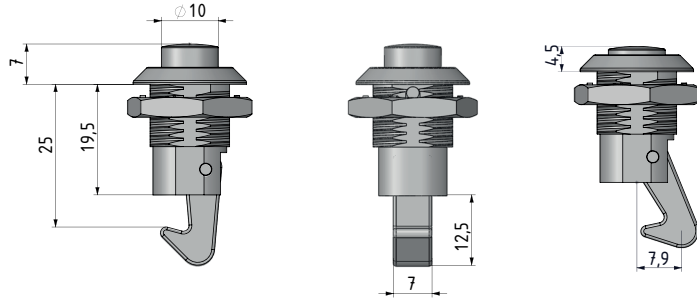


Cut out



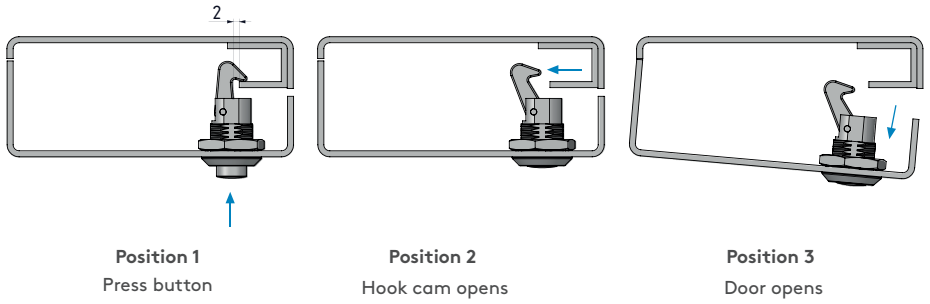
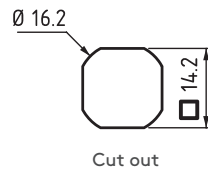
**MINI LOCK**

**466**



- Easily opened by pressing button
- Suitable for small doors

**MATERIAL**  
 HOUSING: Zamak DIN-EN 1774-ZnAl4Cu1  
 BUTTON: Zamak DIN-EN 1774-ZnAl4Cu1  
 CAM: Zamak DIN-EN 1774-ZnAl4Cu1



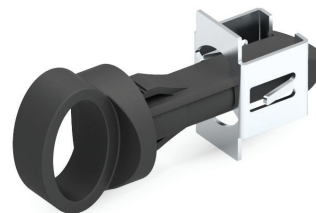
MATERIAL	F	FINISH	F
Zamak	1	Chrome plated	1
		Black coated	2

Group Code	Material	Finish
<b>466</b>	<b>1</b>	<b>F</b>



073

QUARTER-TURN LOCK



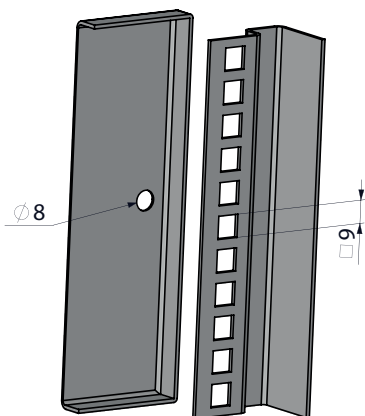
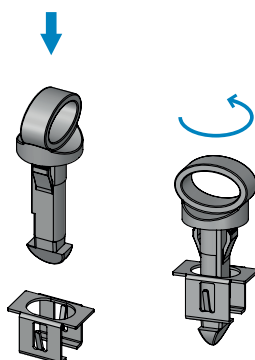
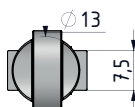
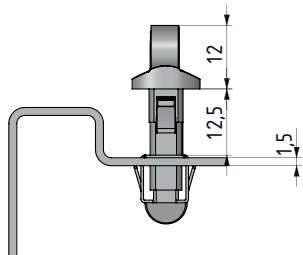
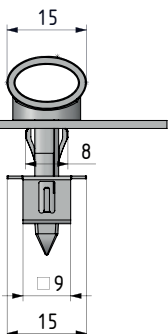
- Fix small panels to frame with ease
- Quarter-turn locking
- Easy assembly
- For doors with a bend of 24 mm

MATERIAL

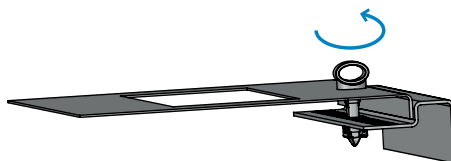
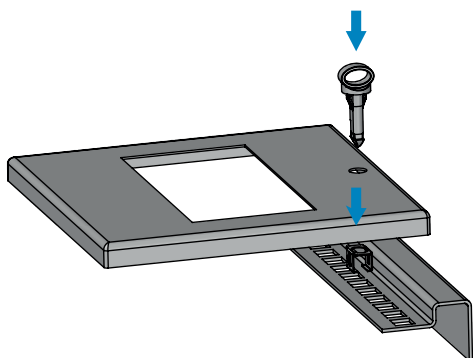
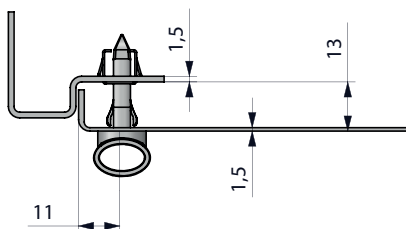
HANDLE: ABS  
FRAME PART: Steel

DT (DOOR THICKNESS)

DT	
Min	Max
0.8mm	1.5mm

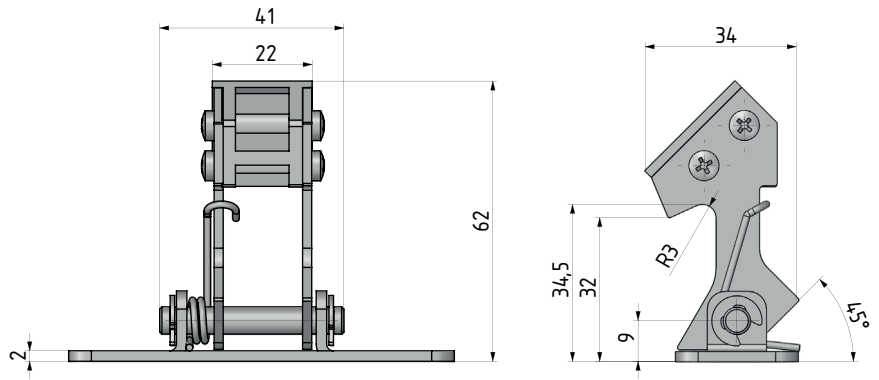
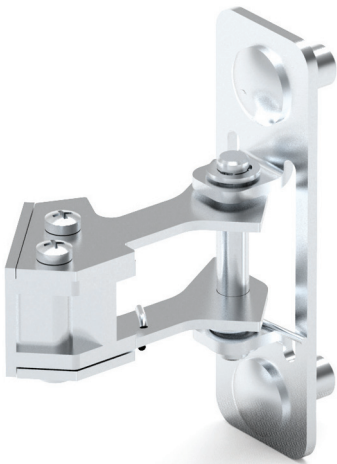


Cut out



HOOKED LOCK

176

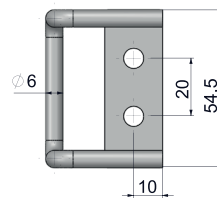
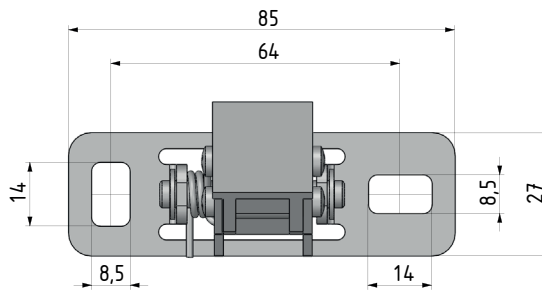


- Used for locking back doors of generators without external lock
- Can open from inside by moving cam

MATERIAL

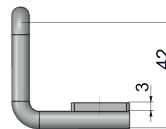
Steel or stainless steel

**!** Note: Special square-base screws are included



CAM STRIKING PLATE

016 A71



- Striking plate.
- Custom sizes available

MATERIAL	F	FINISH	F
Steel	6	Chrome plated	1
Stainless steel	4	No finish	0

Group Code	Material	Finish
176	M	F



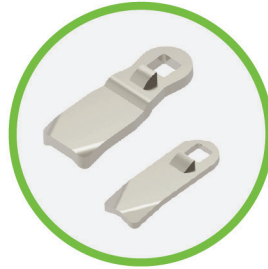




170-171



172-173



174



175



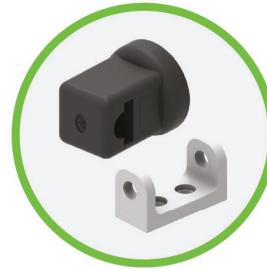
176



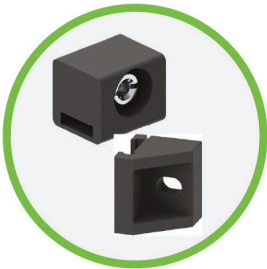
177



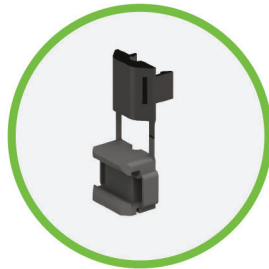
180



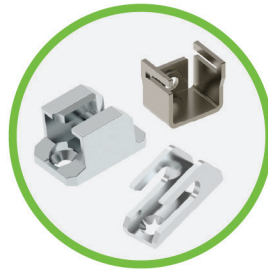
180



181



182



182



183



184-185



186-188



189



190



191



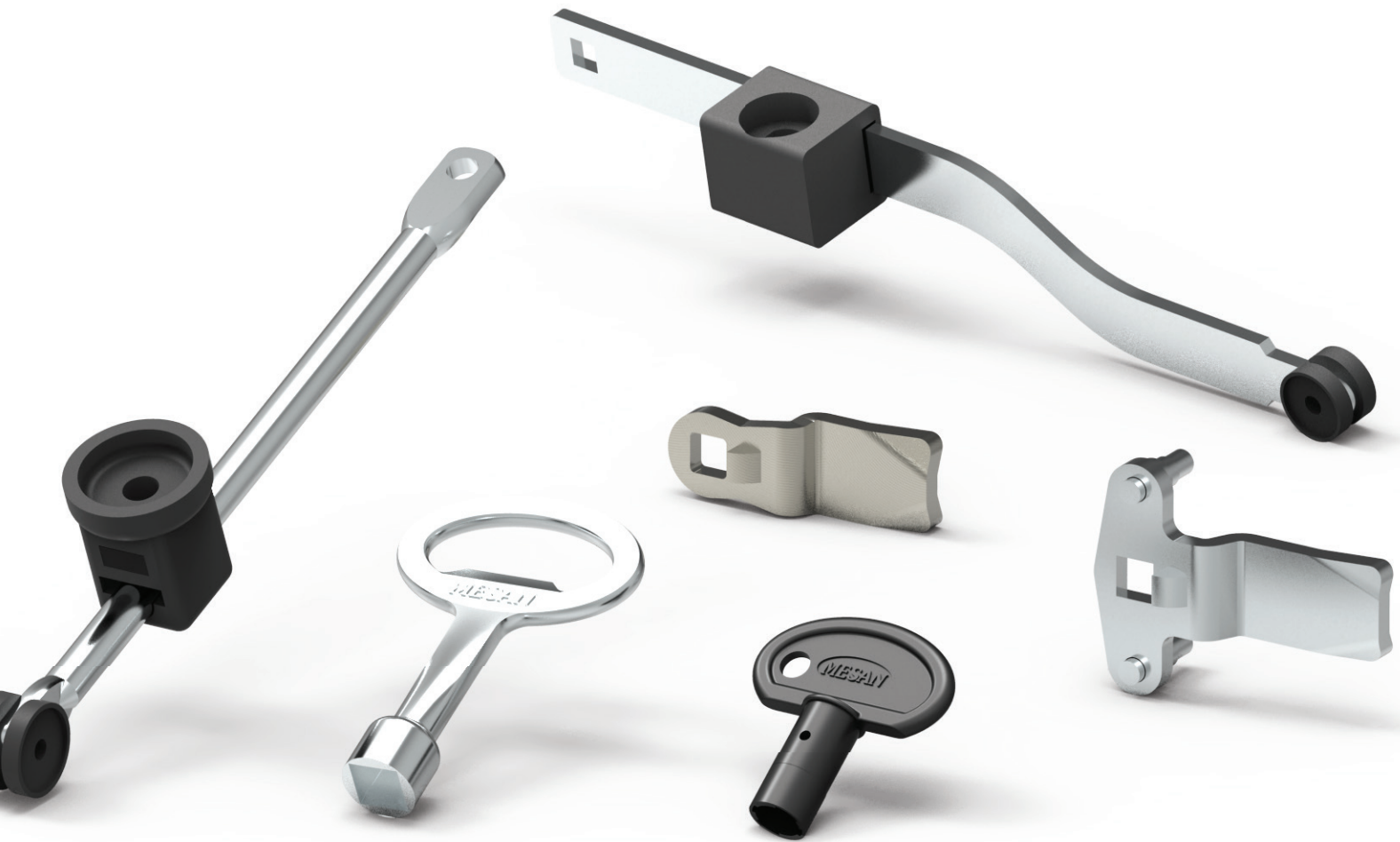
190



190



191



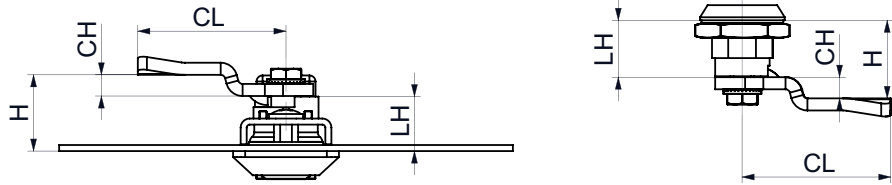
## CAMS, KEYS, RODS & ROD GUIDES

168-191



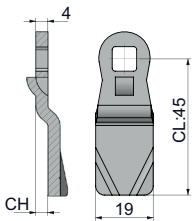
**CAMS WITH STOPPERS**

H: Grip  
 LH: Height of housing  
 CL: Cam length  
 CH: Cam height



MATERIAL: Steel  
 FINISH: Zinc plated  
 THICKNESS: 4 mm

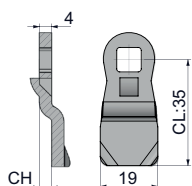
**Cam 1**



STOCK CODE	CC	CH	CL	LH:18 H	LH:18.5 H	LH:20 H	LH:21 H	LH:30 H	LH:32 H	LH:35 H	LH:40 H	LH:50 H	LH:60 H
30403033Y	30	0	45	18	18.5	20	21	30	32	35	40	50	60
30403439Y	17	1	45	19	19.5	21	22	31	33	36	41	51	61
30403159Y	35	2	45	20	20.5	22	23	32	34	37	42	52	62
30403063Y	31	3	45	21	21.5	23	24	33	35	38	43	53	63
30403149Y	33	4	45	22	22.5	24	25	34	37	39	44	54	64
30403160Y	34	6	45	24	24.5	26	27	36	38	41	46	56	66
30403161Y	36	8	45	26	26.5	28	29	38	40	43	48	58	68
30403162Y	47	10	45	28	28.5	30	31	40	42	45	50	60	70
30403045Y	44	12	45	30	30.5	32	33	42	44	47	52	62	72
30403163Y	48	14	45	32	32.5	34	35	44	46	49	54	64	74
30403151Y	49	16	45	34	34.5	36	37	46	48	51	56	66	76
30403165Y	55	18	45	36	36.5	38	39	48	50	53	58	68	78
30403166Y	56	20	45	38	38.5	40	41	50	52	55	60	70	80
30403167Y	57	22	45	40	40.5	42	43	52	54	57	62	72	82
30403168Y	58	24	45	42	42.5	44	45	54	56	59	64	74	84
30403169Y	37	-2	45	16	16.5	18	19	28	30	33	38	48	58
30403170Y	38	-4	45	14	14.5	16	17	26	28	31	36	46	56
30403171Y	39	-6	45	12	12.5	14	15	24	26	29	34	44	54
30403172Y	59	-8	45	10	10.5	12	13	22	24	27	32	42	52
30403173Y	60	-10	45	8	8.5	10	11	20	22	25	30	40	50
30403174Y	61	-12	45	6	6.5	8	9	18	20	23	28	38	48
30403175Y	62	-14	45	4	4.5	6	7	16	18	21	26	36	46

MATERIAL: Steel  
 FINISH: Zinc plated  
 THICKNESS: 4 mm

**Cam 2**

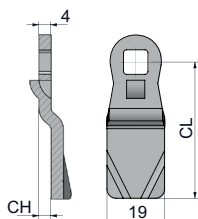


STOCK CODE	CC	CH	CL	LH:18 H	LH:18.5 H	LH:20 H	LH:21 H	LH:30 H	LH:32 H	LH:35 H	LH:40 H	LH:50 H	LH:60 H
30403187Y	11	-2	35	16	16.5	18	19	28	30	33	38	48	58
30403185Y	12	0	35	18	18.5	20	21	30	32	35	40	50	60
30403186Y	13	2	35	20	20.5	22	23	32	34	37	42	52	62
30403188Y	14	4	35	22	22.5	24	25	34	36	39	44	54	64
30403470Y	15	6	35	24	24.5	26	27	36	38	41	46	56	66
30403471Y	16	7	35	25	25.5	27	28	37	39	42	47	57	67
30403189Y	23	10	35	28	28.5	30	31	40	42	45	50	60	70
30403046Y	52	26	35	44	44.5	46	47	56	58	61	66	76	86

## CAMS WITH STOPPERS

MATERIAL: Steel  
FINISH: Zinc plated  
THICKNESS: 4 mm

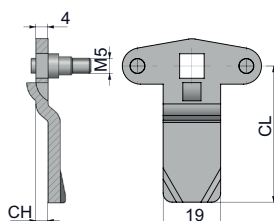
Cam 3



STOCK CODE	CC	CH	CL	LH:18 H	LH:18.5 H	LH:20 H	LH:30 H	LH:32 H	LH:35 H	LH:40 H	LH:50 H	LH:60 H
30403031Y	10	0	29	18	18.5	20	30	32	35	40	50	60
30403032Y	20	0	38	18	18.5	20	30	32	35	40	50	60
30403036Y	70	0	66	18	18.5	20	30	32	35	40	50	60
30403034Y	40	0	51	18	18.5	20	30	32	35	40	50	60
30403037Y	21	3	38	21	21.5	23	33	35	38	43	53	63
30403038Y	41	3	51	21	21.5	23	33	35	38	43	53	63
30403129Y	22	6	37	24	24.5	26	36	38	41	46	56	66
30403039Y	32	7	44	25	25.5	27	37	39	42	47	57	67
30403040Y	42	7	49	25	25.5	27	37	39	42	47	57	67
30403043Y	43	10	48	28	28.5	30	40	42	45	50	60	70

MATERIAL: Steel  
FINISH: Zinc plated  
THICKNESS: 4 mm

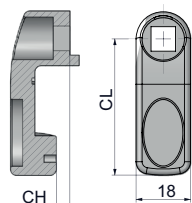
Cam 4



STOCK CODE	CC	CH	CL	LH:18 H	LH:18.5 H	LH:20 H	LH:30 H	LH:32 H	LH:35 H	LH:40 H	LH:50 H	LH:60 H
30403140Y	03	0	51	18	18.5	20	30	32	35	40	50	60
30403522Y	06	0	45	18	18.5	20	30	32	35	40	50	60
30403047Y	01	7	49	25	25.5	27	37	39	42	47	57	67
30403524Y	07	2	45	20	20.5	22	32	34	37	42	52	62
30403526Y	08	3	45	21	21.5	23	33	35	38	43	53	63
30403528Y	09	4	45	22	22.5	24	34	36	39	44	54	64
30403530Y	100	5	45	23	23.5	25	35	37	40	45	55	65
30403532Y	101	6	45	24	24.5	26	36	38	41	46	56	66
30403534Y	102	7	45	25	25.5	27	37	39	42	47	57	67
30403147Y	02	12	46	30	30.5	32	42	44	47	52	62	72
30403536Y	103	14	45	32	32.5	34	44	46	49	54	64	74

MATERIAL: Plastic

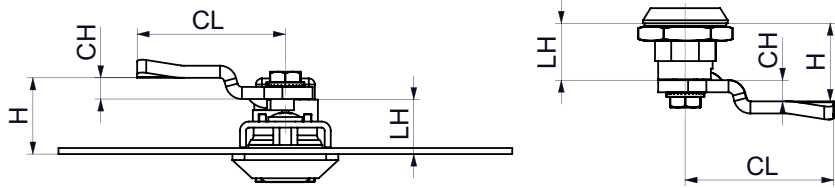
Cam 5



STOCK CODE	CC	CH	CL	LH:18 H	LH:18.5 H	LH:20 H	LH:30 H	LH:35 H	LH:40 H	LH:50 H	LH:60 H
30402004Y	90	0	35	18	18.5	20	30	35	40	50	60
30402011Y	93	0	25	18	18.5	20	30	35	40	50	60
30402005Y	91	6	35	24	24.5	26	36	41	46	56	66
30402008Y	92	4	45	22	22.5	24	34	39	44	54	64
30402013Y	94	-4	45	14	14.5	16	26	31	36	46	56

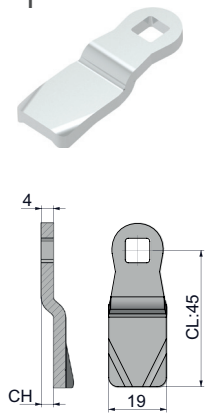
**CAMS WITHOUT STOPPERS**

H: Grip  
 LH: Height of housing  
 CL: Cam length  
 CH: Cam height



MATERIAL: Steel  
 FINISH: Zinc plated  
 THICKNESS: 4 mm

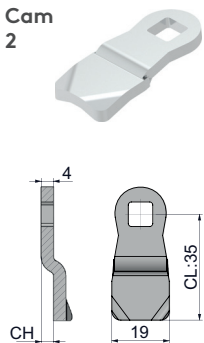
**Cam 1**



STOCK CODE	CC	CH	CL	LH:14 H	LH:18.5 H	LH:19 H	LH : 20 H	LH : 22 H	LH : 25 H	LH : 32 H
30403117Y	30	0	45	14	18.5	19	20	22	25	32
30403557Y	17	1	45	15	19.5	20	21	23	26	33
30403581Y	35	2	45	16	20.5	21	22	24	27	34
30403054Y	31	3	45	17	21.5	22	23	25	28	35
30403197Y	33	4	45	18	22.5	23	24	26	29	36
30403128Y	34	6	45	20	24.5	25	26	28	31	38
30403583Y	36	8	45	22	26.5	27	28	30	33	40
30403584Y	47	10	45	24	28.5	29	30	32	35	42
30403123Y	44	12	45	26	30.5	31	32	34	37	44
30403422Y	48	14	45	28	32.5	33	34	36	39	46
30403410Y	49	16	45	30	34.5	35	36	38	41	48
30403429Y	55	18	45	32	36.5	37	38	40	43	50
30403585Y	56	20	45	34	38.5	39	40	42	45	52
30403586Y	57	22	45	36	40.5	41	42	44	47	54
30403411Y	58	24	45	38	42.5	43	44	46	49	56
30403425Y	37	- 2	45	12	16.5	17	18	20	23	30
30403198Y	38	- 4	45	10	14.5	15	16	18	21	28
30403423Y	39	- 6	45	8	12.5	13	14	16	19	26
30403412Y	59	- 8	45	6	10.5	11	12	14	17	24
30403552Y	60	- 10	45	4	8.5	9	10	12	15	22
30403587Y	61	- 12	45	2	6.5	7	8	10	13	20
30403420Y	62	- 14	45	0	4.5	5	6	8	11	18

MATERIAL: Steel  
 FINISH: Zinc plated  
 THICKNESS: 4 mm

**Cam 2**

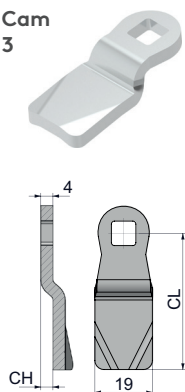


STOCK CODE	CC	CH	CL	LH:14 H	LH:18.5 H	LH : 19 H	LH : 20 H	LH : 22 H	LH : 25 H	LH : 32 H
30403069Y	11	-2	35	12	16.5	18	18	20	23	30
30403444Y	12	0	35	14	18.5	20	20	22	25	32
30403519Y	13	2	35	16	20.5	22	22	24	27	34
30403588Y	14	4	35	18	22.5	24	24	26	29	36
30403477Y	15	6	35	20	24.5	26	26	28	31	38
30403589Y	16	7	35	21	25.5	27	27	29	32	39
30403407Y	23	10	35	24	28.5	30	30	32	35	42
30403075Y	52	26	35	40	44.5	46	36	48	51	58

## CAMS WITHOUT STOPPERS

MATERIAL: Steel  
FINISH: Zinc plated  
THICKNESS: 4 mm

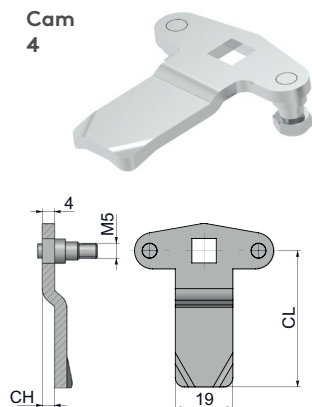
Cam 3



STOCK CODE	CC	CH	CL	LH:14 H	LH:18.5 H	LH:19 H	LH : 20 H	LH : 22 H	LH : 25 H	LH : 32 H
30403006Y	10	0	29	14	18.5	19	20	22	25	32
30403130Y	20	0	38	14	18.5	19	20	22	25	32
30403117Y	30	0	45	14	18.5	19	20	22	25	32
30403003Y	40	0	51	14	18.5	19	20	22	25	32
30403005Y	70	0	66	14	18.5	19	20	22	25	32
30403064Y	21	3	38	17	21.5	22	23	25	28	35
30403054Y	31	3	45	17	21.5	22	23	25	28	35
30403141Y	41	3	51	17	21.5	22	23	25	28	35
30403138Y	22	6	37	20	24.5	25	26	28	31	38
30403128Y	34	6	45	20	24.5	25	26	28	31	38
30403073Y	32	7	44	21	25.5	26	27	29	32	39
30403002Y	42	7	49	21	25.5	26	27	29	32	39
30403004Y	43	10	48	24	28.5	29	30	32	35	42
30403123Y	44	12	45	26	30.5	31	32	34	37	44

MATERIAL: Steel  
FINISH: Zinc plated  
THICKNESS: 4 mm

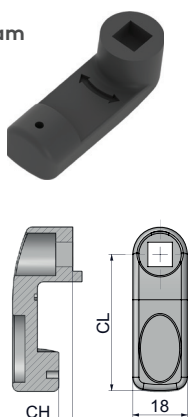
Cam 4



STOCK CODE	CC	CH	CL	LH:18.5 H
30403135Y	03	0	51	18.5
30403523Y	06	0	45	18.5
30403001Y	01	7	49	25.5
30403525Y	07	2	45	20.5
30403527Y	08	3	45	21.5
30403529Y	09	4	45	22.5
30403531Y	100	5	45	23.5
30403533Y	101	6	45	24.5
30403535Y	102	7	45	25.5
30403068Y	02	12	46	30.5
30403537Y	103	14	45	32.5

MATERIAL: Plastic

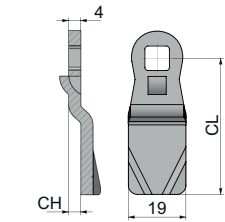
Cam 5



STOCK CODE	CC	CH	CL	LH:18.5 H	LH: 20 H	LH: 25 H
30402002Y	90	0	35	18.5	20	25
30402010Y	93	0	25	18.5	20	25
30402007Y	92	4	45	22.5	24	29
30402003Y	91	6	35	24.5	26	31
30402014Y	94	-4	45	14.5	16	21

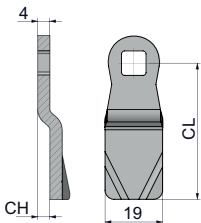
**STAINLESS STEEL CAMS**

**WITH STOPPER**



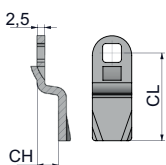
STOCK CODE	CC	CH	CL	LH:18 H	LH:18.5 H	LH:20 H	LH:22 H	LH:30 H	LH:32 H	LH:40 H	LH:50 H	LH:60 H
30405004Y	30	0	45	18	18.5	20	22	30	32	40	50	60
30405003Y	40	0	51	18	18.5	20	22	30	32	40	50	60
30405159Y	35	2	45	20	20.5	22	24	32	34	42	52	62
30405063Y	31	3	45	21	21.5	23	25	33	35	43	53	63
30405149Y	33	4	45	22	22.5	24	26	34	36	44	54	64
30405160Y	34	6	45	24	24.5	26	28	36	38	46	56	66
30405040Y	42	7	49	25	25.5	27	29	37	39	47	57	67
30405006Y	36	8	45	26	26.5	28	30	38	41	48	58	68
30405162Y	47	10	45	28	28.5	30	32	40	42	50	60	70
30405045Y	44	12	45	30	30.5	32	34	42	44	52	62	72

**WITHOUT STOPPER**



STOCK CODE	CC	CH	CL	LH:18.5 H	LH:20 H	LH:22 H	LH:25 H	LH:32 H
30405117Y	30	0	45	18.5	20	22	25	32
30405058Y	40	0	51	18.5	20	22	25	32
30405012Y	35	2	45	20.5	22	24	27	34
30405013Y	31	3	45	21.5	23	25	28	35
30405015Y	34	4	45	22.5	24	26	29	36
30405002Y	42	7	49	25.5	27	29	32	39
30405016Y	36	8	45	26.5	28	30	33	40
30405017Y	47	10	45	28.5	30	32	35	42
30405018Y	44	12	45	30.5	32	34	37	44

**WITH STOPPER**



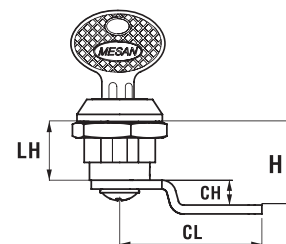
STOCK CODE	CC	CH	CL	LH:13.5 H
30405084Y	10	0	33	13.5
30405085Y	11	7	30	20.5
30405184Y	20	0	25	13.5
30405196Y	22	-6	25	7.5

## ADDITIONAL CAMS

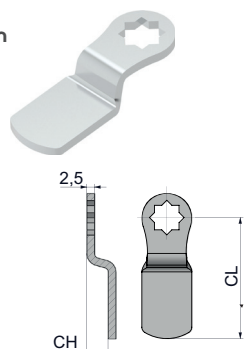
### LOCKS

H: Grip  
LH: Height of housing  
CL: Cam length  
CH: Cam height

GROUP CODE	050	150	250	072	066	166	366	566	057	055	165
LH	16.5 20 25 30	20	20	29	13.5	13.5	13.5	13.5	13.5	20 32	16
CAM	1-2	1	1	1	3	3	3	3	4	1	3

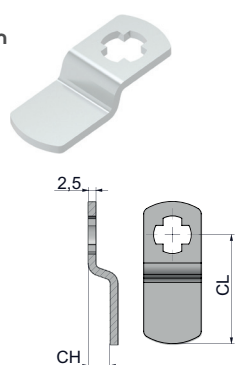


Cam 1

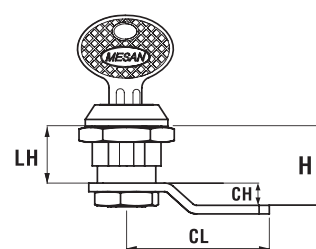


STOCK CODE	CC	CH	CL	LH:16.5 H	LH:20 H	LH:25 H	LH:29 H	LH:30 H	LH:32 H
30403124Y	50	0	43	16.5	20	25	29	30	32
31403010Y	56	0	23	16.5	20	25	29	30	32
31403011Y	30	0	33	16.5	20	25	29	30	32
30403157Y	57	3	48	19.5	23	28	32	33	35
30403125Y	51	7	40	23.5	27	32	36	37	39
30403110Y	52	10	37	26.5	30	35	39	40	42
30403111Y	53	14	33	30.5	34	39	43	44	46

Cam 2

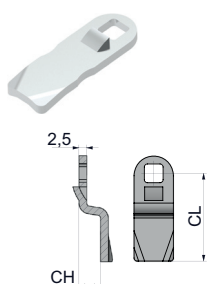


STOCK CODE	CC	CH	CL	LH:16.5 H
30403014Y	10	0	38	16.5
30403100Y	30	0	33	16.5
30403019Y	20	0	49	16.5
30403082Y	11	3	38	19.5
30403015Y	12	7	36	23.5
30403016Y	21	7	47	23.5
30403017Y	22	10	44	26.5
30403022Y	13	0	39	16.5

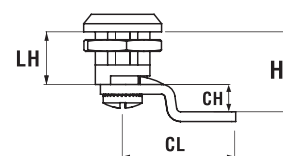


Hook cam (CC:13)

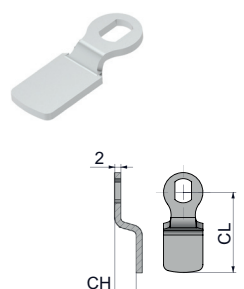
Cam 3



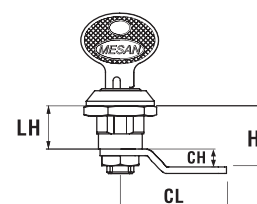
STOCK CODE	CC	CH	CL	LH:13.5 H	LH:16 H
30403084Y	10	0	33	13.5	16
30403184Y	20	0	25	13.5	16
30403183Y	21	6	25	19.5	22
30403085Y	11	7	30	20.5	23
30403196Y	22	-6	25	7.5	10



Cam 4



STOCK CODE	CC	CH	CL	LH:13 H
30403158Y	10	0	24	13
31403016Y	50	0	21	13
30403029Y	20	0	31	13
30403028Y	30	0	36	13
30403089Y	21	3	30	16
30403030Y	22	7	26	20
30403182Y	11	-3	28	10
30403058Y	40	0	31	13



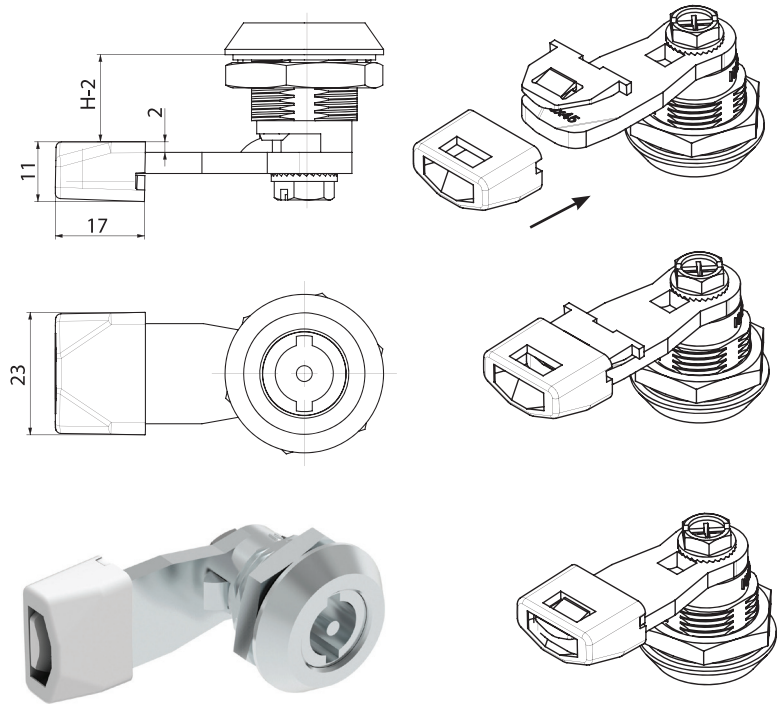
Hook cam (CC:40)



# CAM ACCESSORIES

## SLIDE SHOE FOR CAM

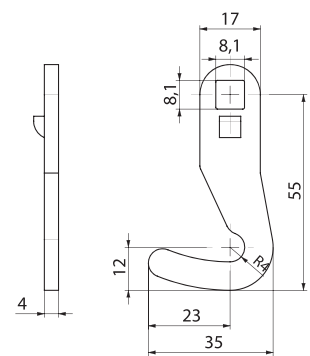
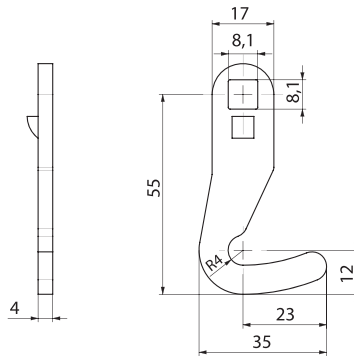
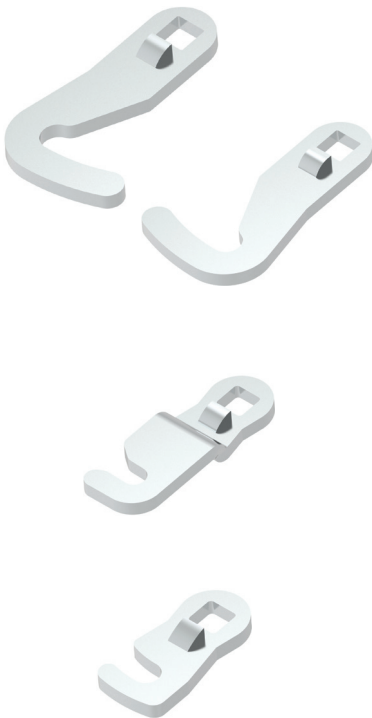
320.02.180



- Reduces the LH and H dimensions by 2 mm. Choose CH -2 mm for cam selection compared to unused

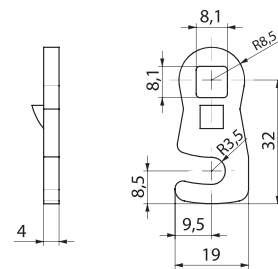
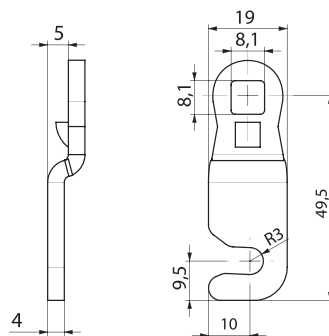
**MATERIAL**  
Delrin

## HOOK CAMS



STOCK CODE	CC	CH	CL
30403485	485	0	55

STOCK CODE	CC	CH	CL
30403516	516	0	55



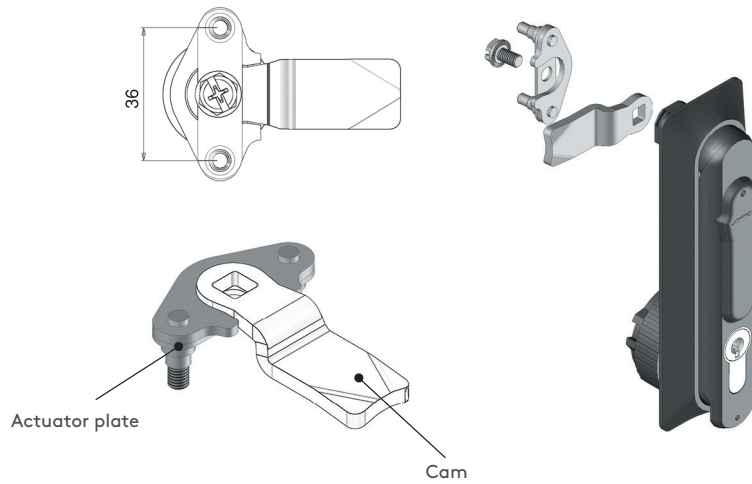
STOCK CODE	CC	CH	CL
30403672	672	-5	49

STOCK CODE	CC	CH	CL
30403712	712	0	32

- With stopper

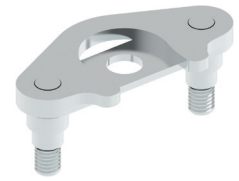
**MATERIAL**  
Steel

**FINISH**  
Zinc plated



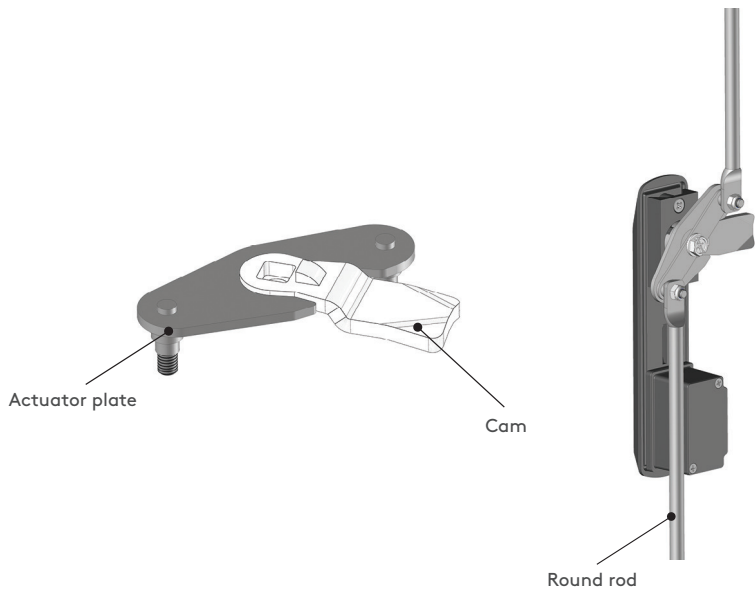
30403499

ACTUATOR PLATE



- three-point locking actuator plate.

**MATERIAL**  
Steel  
**FINISH**  
Zinc plated



Right hand  
30403563

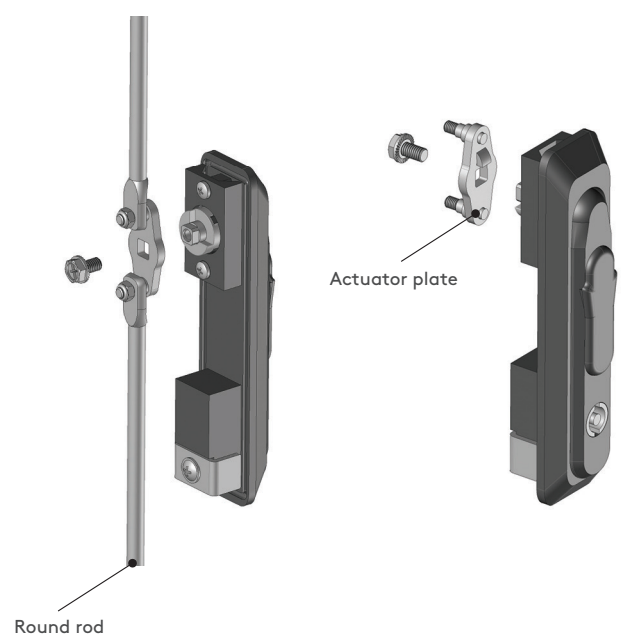
Left hand  
30403632

ACTUATOR PLATE



**⚠ Note:** This plate is used for 501 swing handle (p.30)

ACTUATOR PLATE

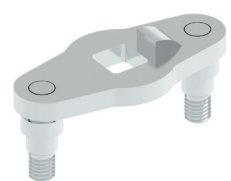


30403496

30403495



- 2-point locking actuator plate without stop lip.



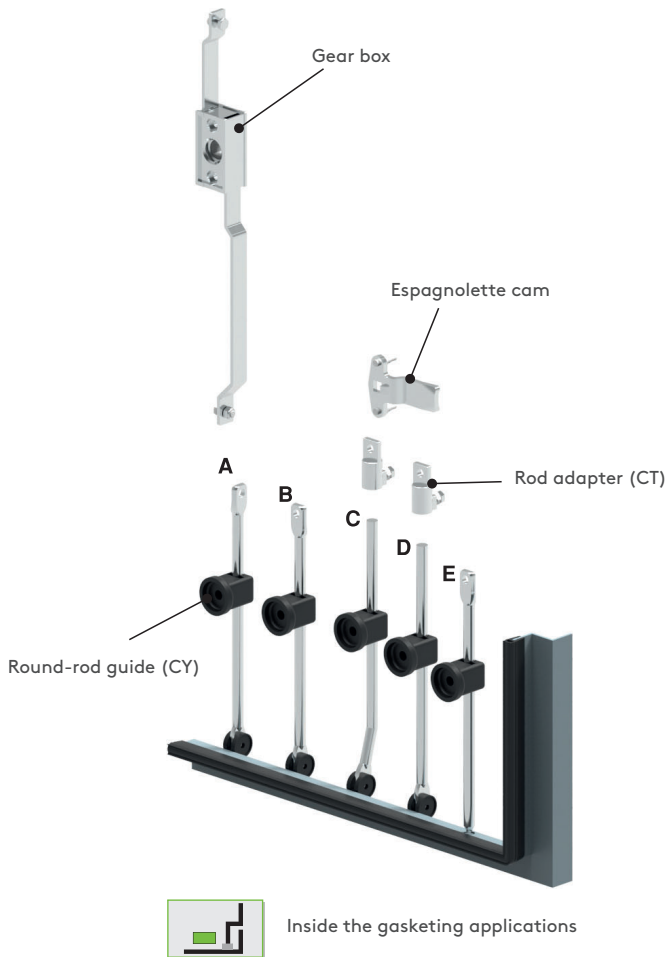
- 22-point locking actuator plate with stop lip.

**MATERIAL**  
Steel  
**FINISH**  
Zinc plated

## Espagnolette round and flat rod applications and accessories

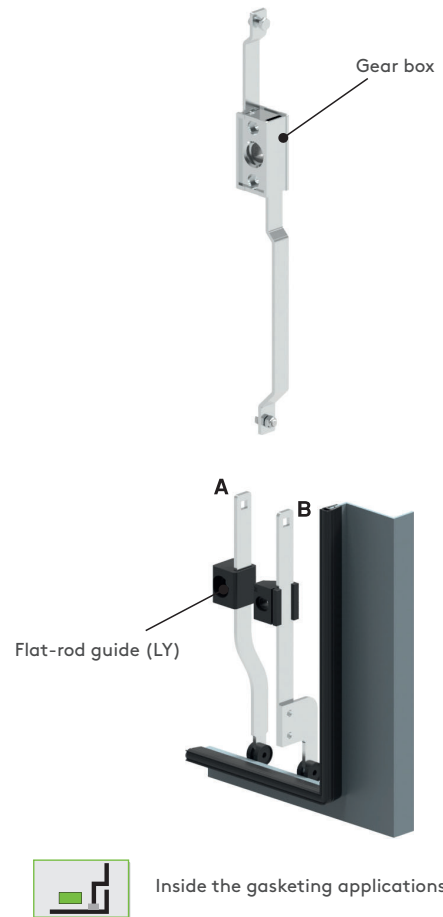
**IC**

▶ **ROUND-ROD APPLICATIONS**



**IL**

▶ **FLAT-ROD APPLICATIONS**



A - IC.4.L: Suitable for the gear-box applications. Rod adapter can not be used.

B - IC.3.L: Suitable for the espagnolette-cam applications. Rod adapter can not be used.

C - IC.6.L: Suitable for both gear-box and espagnolette-cam applications. Rod adapter can be used.

D - IC.2.L: Suitable for both gear-box and espagnolette-cam applications. Rod adapter can be used.

E - IC.1.L: Suitable for both gear-box and espagnolette-cam applications. Rod adapter can not be used. Alternative locking achievable with locking hole.

- Different rod-lengths are available. Please check the next pages
- Round-rod guide must be used for all applications. Please check the accessory pages

A - IL.1.h.1020: Suitable for the gear box applications. Two height (h) alternatives are available.

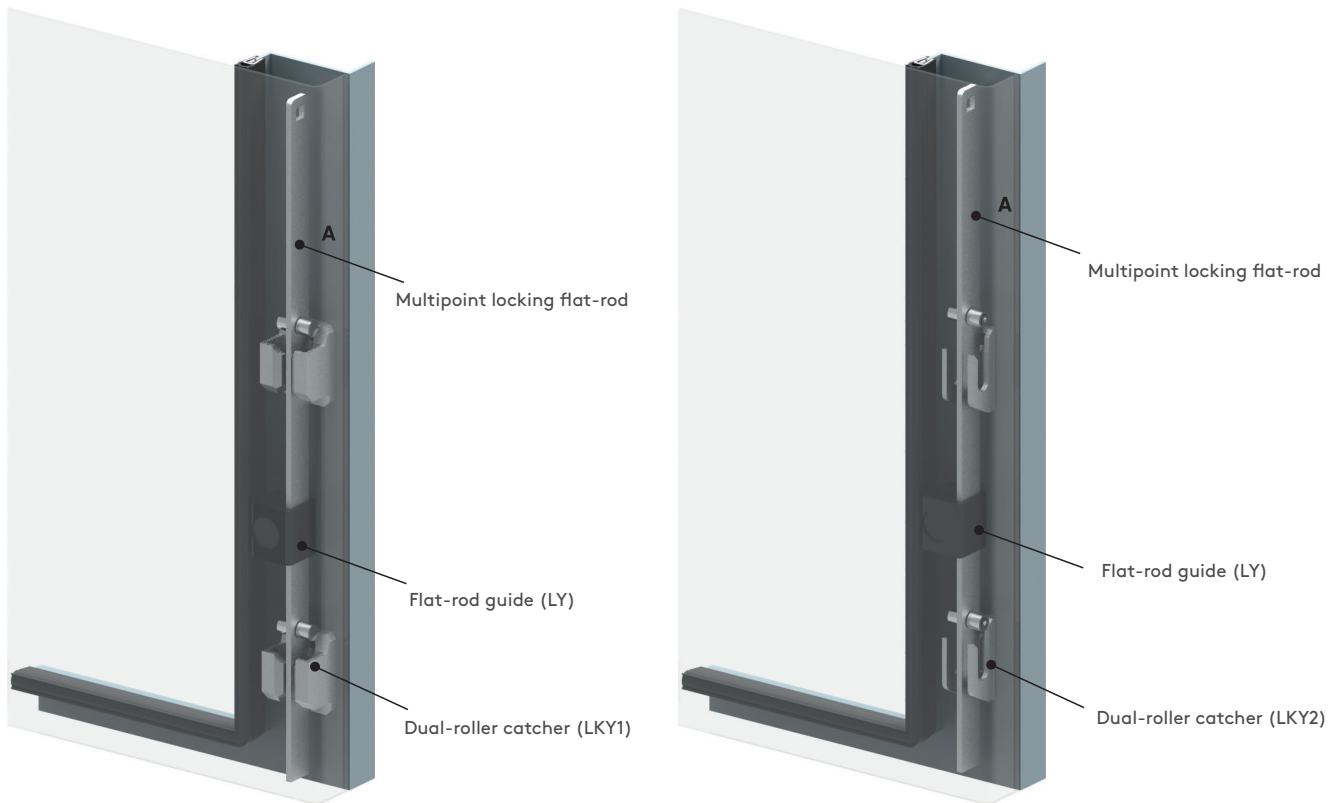
B - IL.2.h.1020: Suitable for the gear-box applications. Four height (h) alternatives are available.

- Flat-rod guide must be used for all espagnolette flat-rod applications. Please check the accessory pages
- Standard flat-rod length is 1020mm

Flat rod applications for multipoint locking and accessories.

ILP

► MULTIPOINT LOCKING FLAT-ROD APPLICATIONS



Outside the gasketing applications

---

A - ILP.1.575 Suitable for out-of-gasket locks

---

- Flat-rod guide and dual-roller catcher must be used for all espagnolette flat-rod applications. Please check the accessory pages

# ▶ ROUND-ROD ACCESSORIES

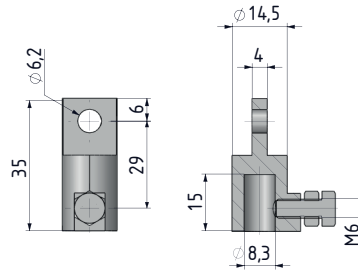
## ROD ADAPTER

CT1



**MATERIAL**  
Zamak DIN-EN 1774-ZnAl4Cu1

**FINISH**  
Zinc plated



MATERIAL	FINISH	PRODUCT CODE
Zamak	Zinc plated	CT113
Stainless Steel	No finish	CT140



## ROD ADAPTER

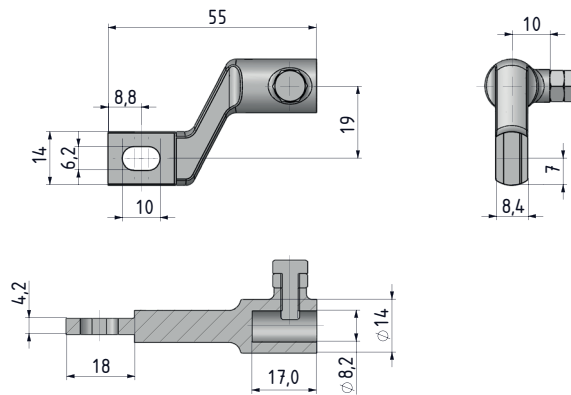
CT2



- For horizontal application

**MATERIAL**  
Zamak DIN-EN 1774-ZnAl4Cu1

**FINISH**  
Zinc plated

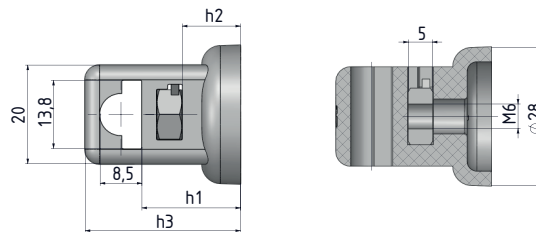


## ROUND-ROD GUIDE

CY1



**MATERIAL**  
Polyamide PA6 GFR 30

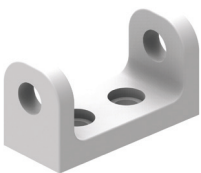


H1	H2	H3	FIXING SCREW	PRODUCT CODE
20	12	32	M6 X 16	CY120
24	16	36	M6 X 20	CY124
26	18	38	M6 X 22	CY126

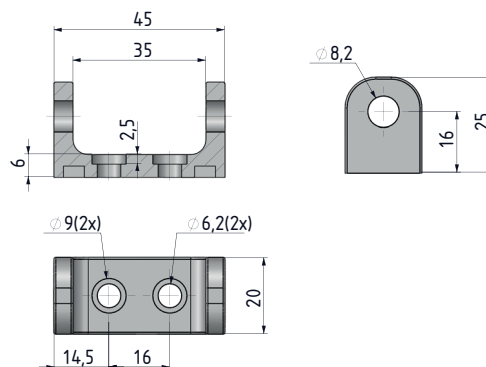


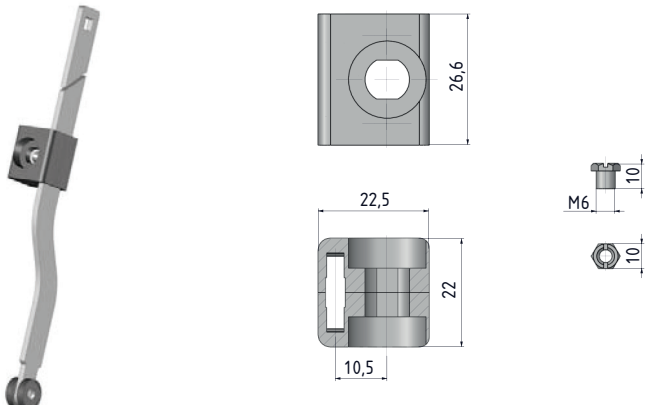
## ROUND-ROD GUIDE

CY2



**MATERIAL**  
Delrin

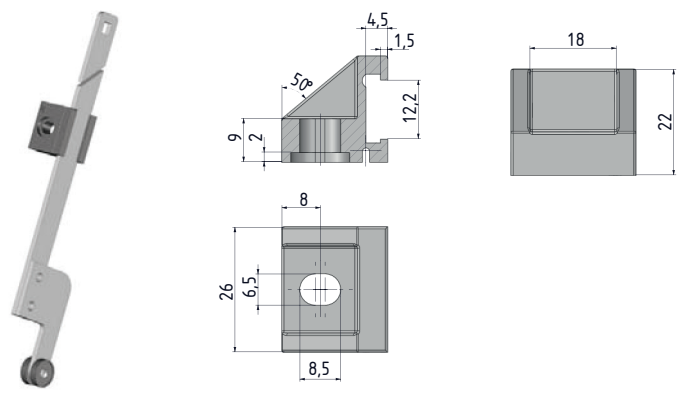




MATERIAL	FINISH	PRODUCT CODE
Plastic	No finish	LY120
Stainless Steel	No finish	LY140

LY1

FLAT ROD GUIDE

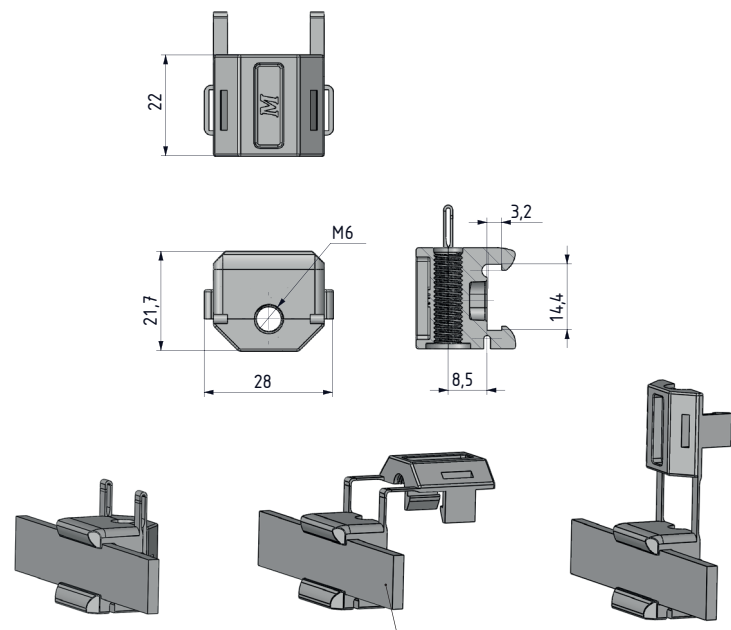


LY2

FLAT-ROD GUIDE

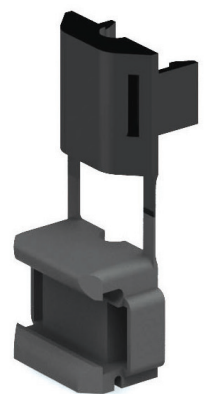


MATERIAL  
Polyamide PA6 GFR 30



LY3

FLAT ROD GUIDE (Easy fixing)



MATERIAL  
Polyamide PA6 GFR 30

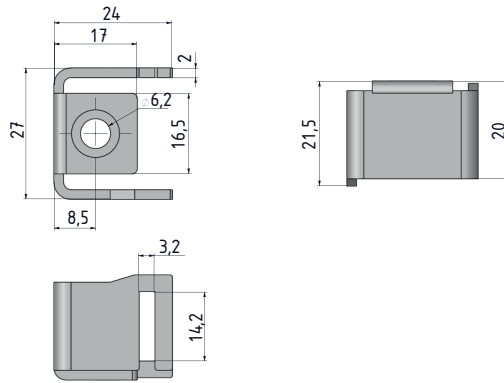
FLAT ROD

**FLAT-ROD GUIDE**

**LY40**

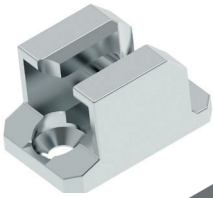


**MATERIAL**  
Stainless steel

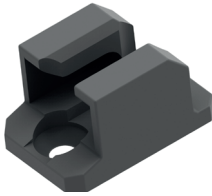


**DUAL - ROLLER CATCHER**

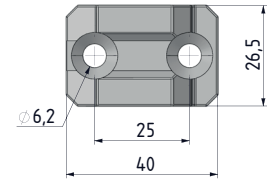
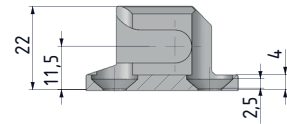
**LKY1**



**NEW**



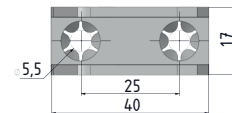
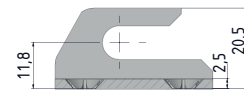
**NEW**



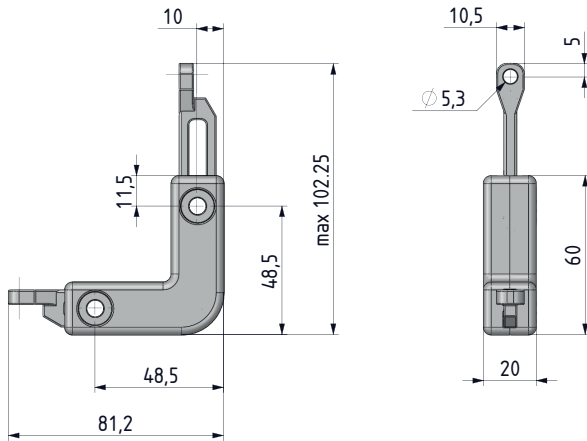
MATERIAL	FINISH	PRODUCT CODE
Plastic	No finish	LKY120
Zamak	Zinc plated	LKY113
Zamak	Black coated	LKY112
Stainless Steel	No finish	LKY140

**DUAL - ROLLER CATCHER**

**LKY2**



MATERIAL	FINISH	PRODUCT CODE
Steel	Zinc plated	LKY263
Stainless Steel	No finish	LKY240



RCC

ROD CORNER CONTROL



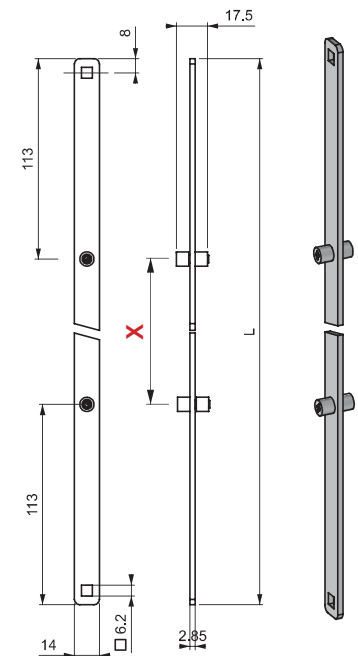
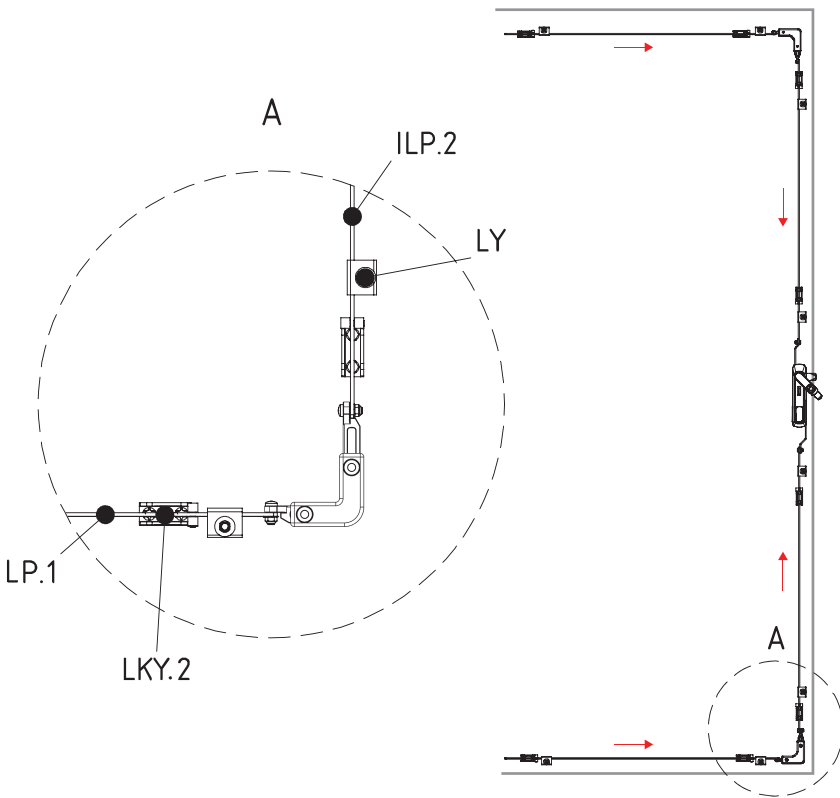
- Used to convert the vertical movement of the flat rods to horizontal movement
- 8 point locking is possible for security reasons

MATERIAL

BODY: Polyamide PA6 GFR 30  
RODS: Zamak DIN-EN 1774-ZnAl4Cu1

ILP

MULTIPOINT LOCKING FLAT ROD



Group Code	Version	Length Between Pins
ILP	2	X

Please specify for different 'X' length

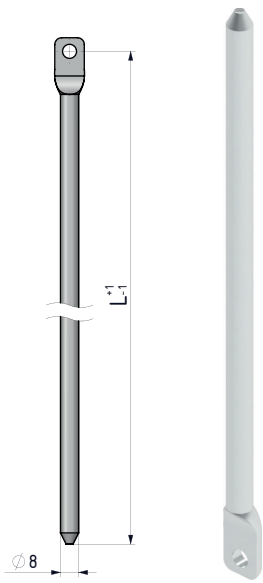
MATERIAL

Steel

FINISH

Zinc Plated



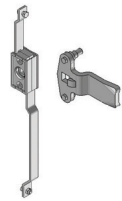


**V:1**

L mm	PRODUCT CODE
400	IC 1-400
500	IC 1-500
600	IC 1-600
700	IC 1-700
800	IC 1-800
900	IC 1-900
1000	IC 1-1000

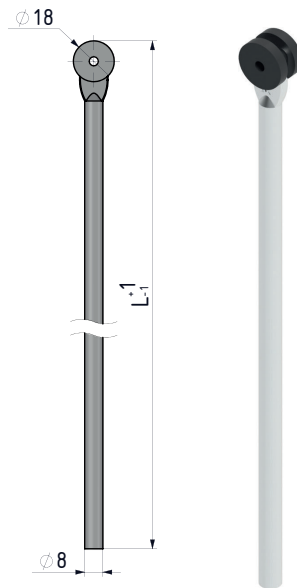
**Application:**

- With gear-box locks
- Locks with three-point cam



**Accessories:**

- Round-rod guide (CY)

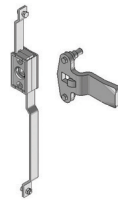


**V:2**

L mm	PRODUCT CODE
400	IC 2-400
500	IC 2-500
600	IC 2-600
700	IC 2-700
800	IC 2-800
900	IC 2-900
1000	IC 2-1000

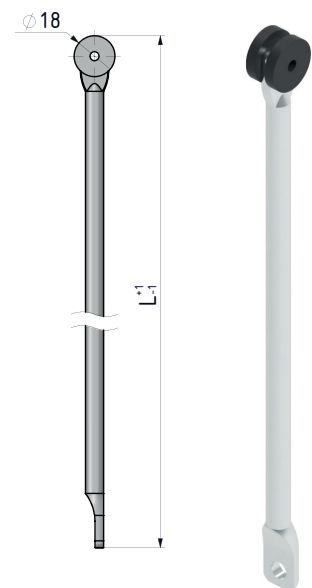
**Application:**

- With gear-box locks
- Locks with three-point cam



**Accessories:**

- Round-rod guide (CY)
- Rod adapter (CT)



**V:3**

L mm	PRODUCT CODE
400	IC 3-400
500	IC 3-500
600	IC 3-600
700	IC 3-700
800	IC 3-800
900	IC 3-900
1000	IC 3-1000

**Application:**

- Locks with three-point cam

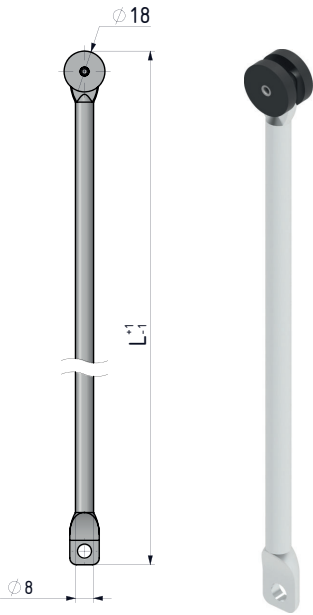


**Accessories:**

- Round-rod guide (CY)
- Stainless steel version: page 430

Group Code	Version	Length
IC	V	L

For different 'L' lengths, please contact Essentra



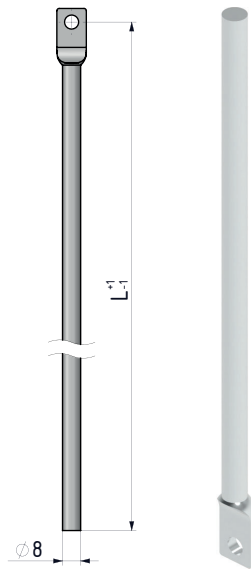
**V: 4**

L mm	PRODUCT CODE
400	IC 4-400
500	IC 4-500
600	IC 4-600
700	IC 4-700
800	IC 4-800
900	IC 4-900
1000	IC 4-1000

- Application:
- With gearbox locks



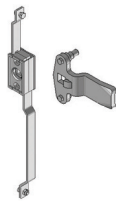
- Accessories:
- Round-rod guide (CY)



**V: 5**

L mm	PRODUCT CODE
400	IC 5-400
500	IC 5-500
600	IC 5-600
700	IC 5-700
800	IC 5-800
900	IC 5-900
1000	IC 5-1000

- Application:
- With gear-box locks
  - Locks with three-point cam



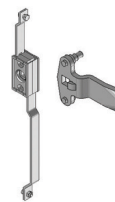
- Accessories:
- Round-rod guide (CY)



**V: 6**

L MM	PRODUCT CODE
400	IC 6-400
500	IC 6-500
600	IC 6-600
700	IC 6-700
800	IC 6-800
900	IC 6-900
1000	IC 6-1000

- Application:
- With gear-box locks
  - Locks with three-point cam



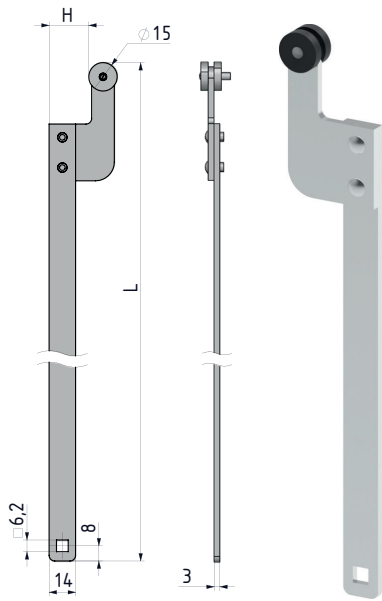
- Accessories:
- Round-rod guide (CY)
  - Rod adapter (CT)

- Stainless steel version: page 542

Group Code	Version	Length
IC	V	L

For different 'L' lengths, please contact Essentra

# FLAT RODS



V:1

H mm	L mm	PRODUCT CODE
27	1020	IL 1-27-1020
13	1020	IL 1-13-1020

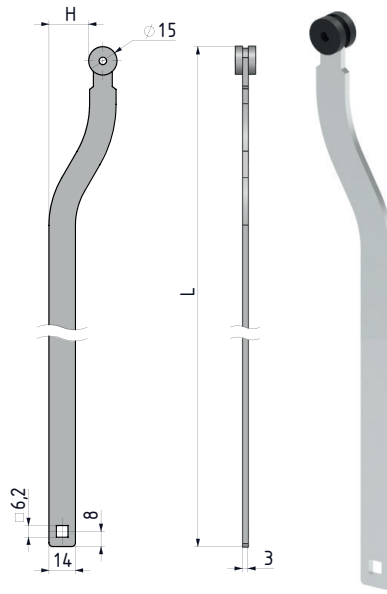
**Application:**

- With gear-box locks



**Accessories:**

- Flat-rod guide (LY)



V:2

H mm	L mm	PRODUCT CODE
21	1020	IL 2-21-1020
16	1020	IL 2-16-1020

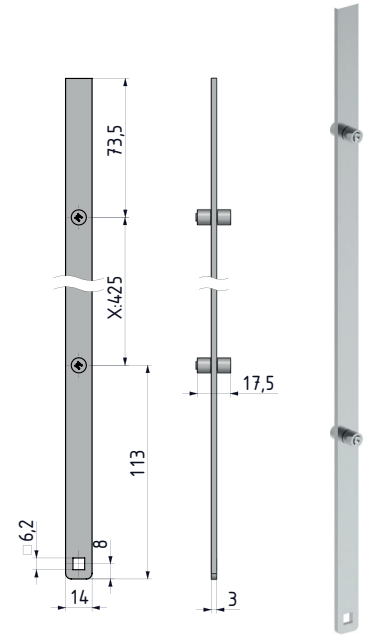
**Application:**

- With gear-box locks



**Accessories:**

- Flat-rod guide (LY)



V:1

X mm	PRODUCT CODE
575	ILP 1-575

**Application:**

- With gear-box locks



**Accessories:**

- Flat-rod guide (LY)
- Dual-roller catcher (LKY)

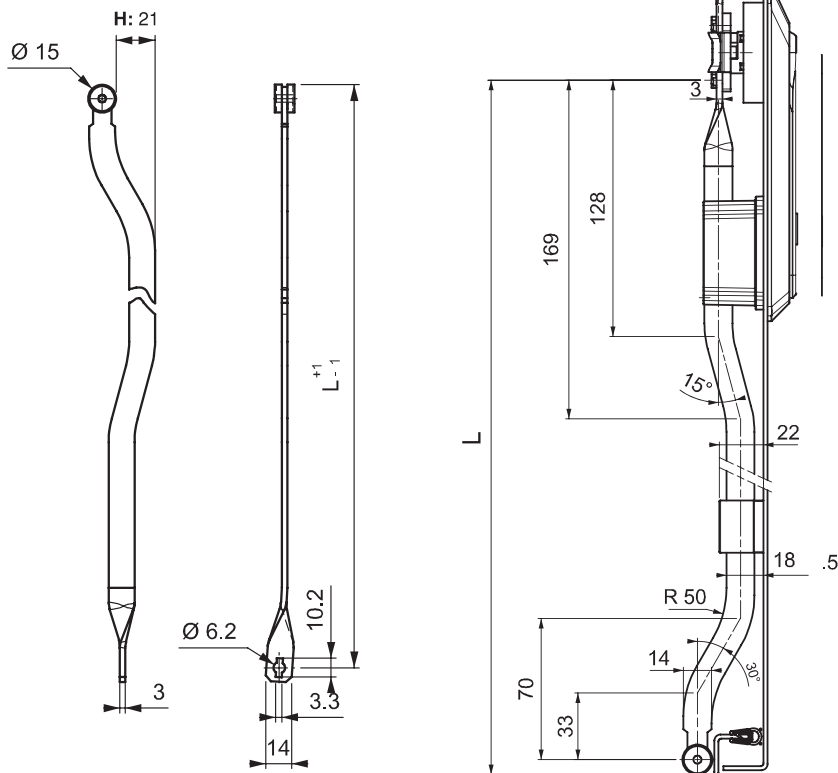
- Stainless steel version: page 453

Group Code	Version	Offset	Length
IL	V	H	L

For different 'L' lengths, please contact Essentra Components

Group Code	Version	Length Between Pins
ILP	1	X

Please specify for different 'X' length



Group Code	Version	Offset	Length
IL	3	21	L

Please specify for different 'L' length

FLAT ROD



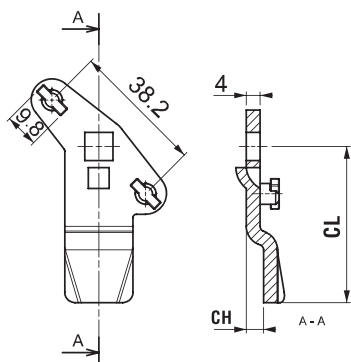
- T-shape rivets on cam provide easy assembly of rods.

**MATERIAL**  
Steel

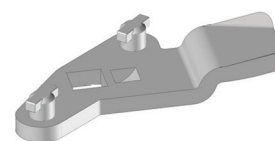
**FINISH**  
Zinc plated



3-POINT CAM



STOCK CODE	CH	CL
34003591Y	5	45
34003592Y	20	45

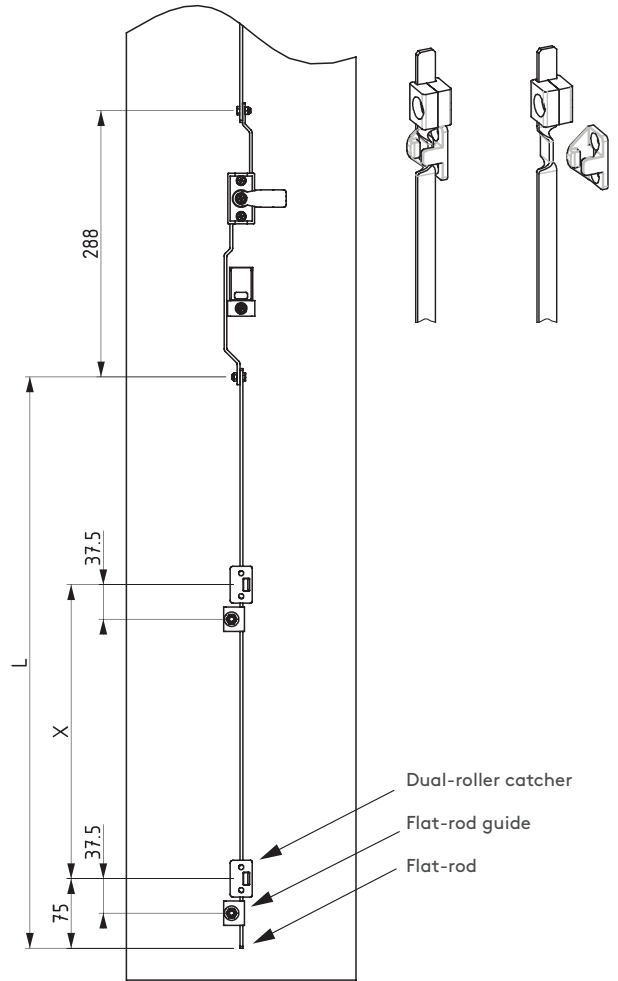


FLAT ROD



**MATERIAL**  
Steel

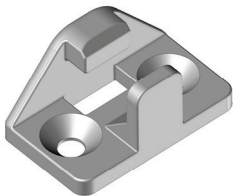
**FINISH**  
Zinc plated



DUAL-ROLLER CATCHER

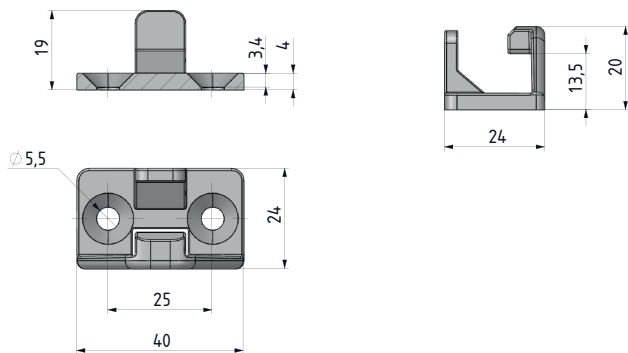
LKY3

Group Code	Version	Length	Locking
IL	4	L	X

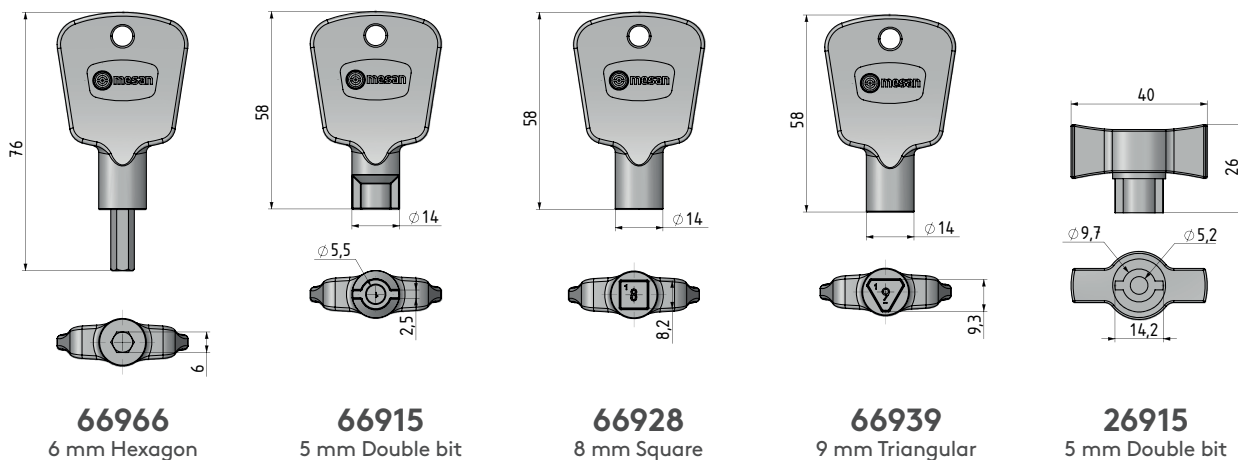



**MATERIAL**  
Zamak DIN-EN 1774-ZnAl4Cu1

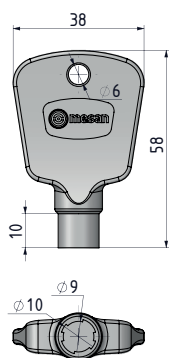
**FINISH**  
Zinc plated




## POLYAMIDE KEYS

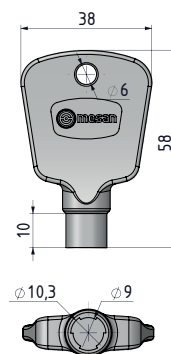


 **Not:** Suitable for 040 & 540 compression locks



**66993**  
Tubular key

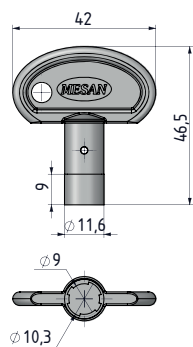
 **Not:** Suitable for 140 compression lock




**76993**  
Tubular key

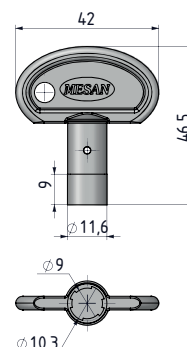
## METAL KEYS

 **Not:** Suitable for 040 & 540 compression locks



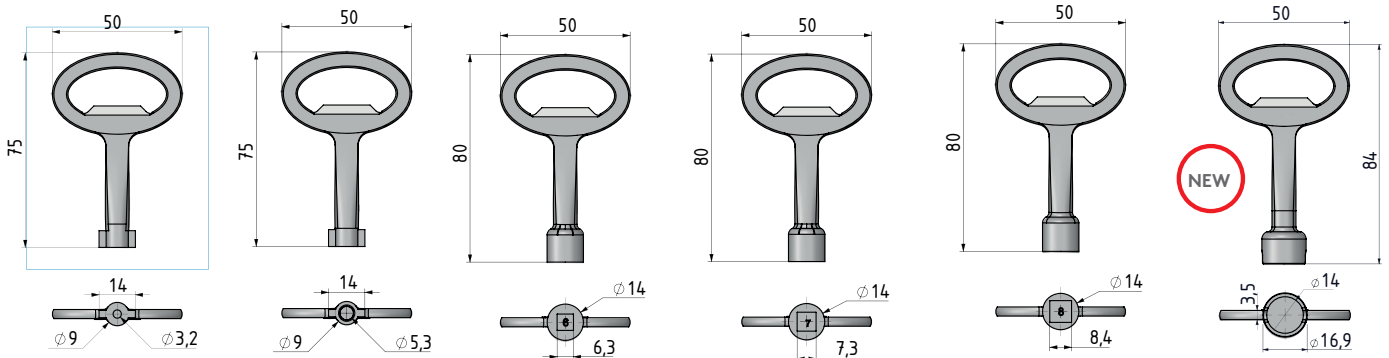
Tubular key  
Chrome plated: **36911**  
Black coated : **36912**

 **Not:** Suitable for 140 compression lock

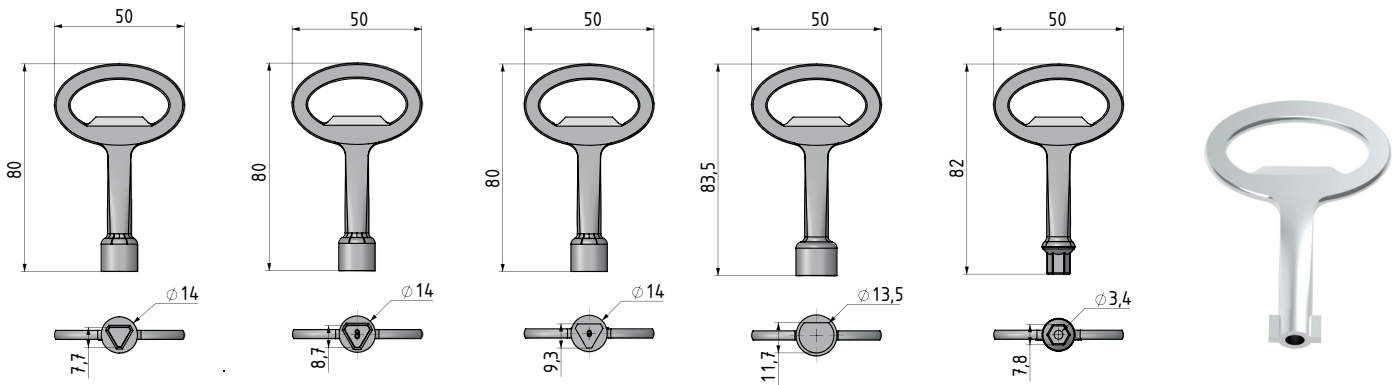


Tubular key  
Chrome plated: **46911**  
Black coated : **46912**

**METAL KEYS (LONG)**

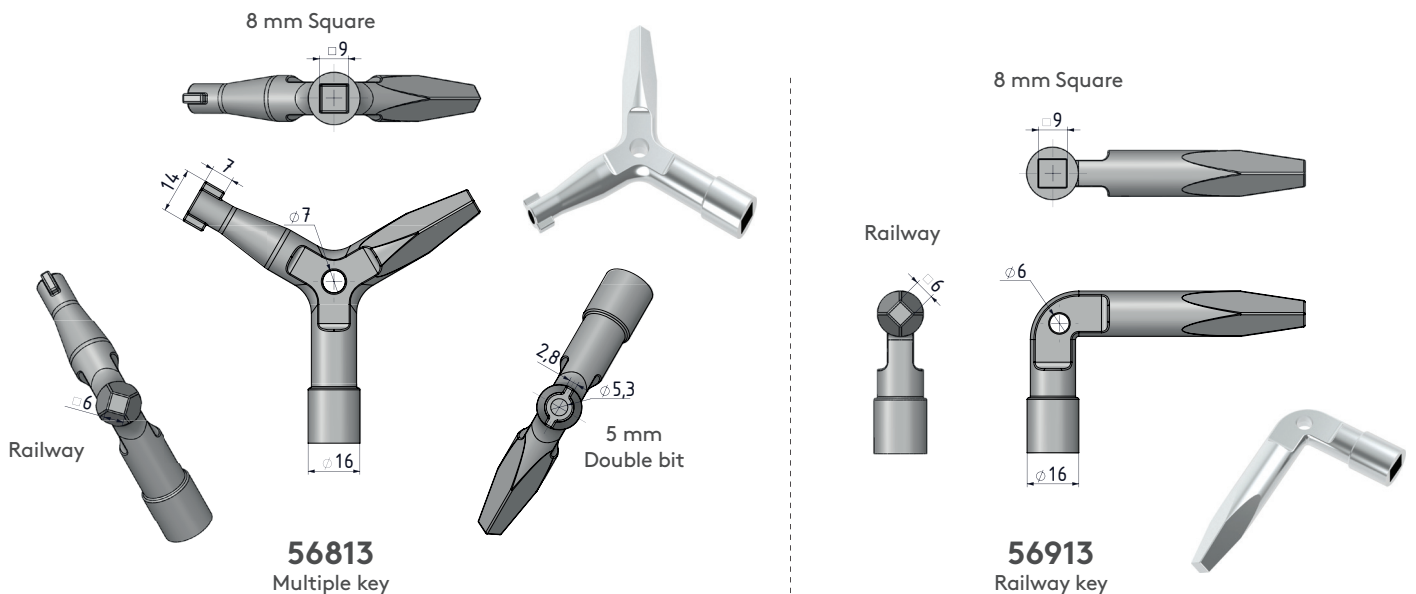


**36813** 3 mm Double bit    **36815** 5 mm Double bit    **36826** 6 mm Square    **36827** 7 mm Square    **36828** 8 mm Square    **36896** Ebr



**36837** 7 mm Triangular    **36838** 8 mm Triangular    **36839** 9 mm Triangular    **36891** Eastern    **36868** 8 mm Hexagon High security

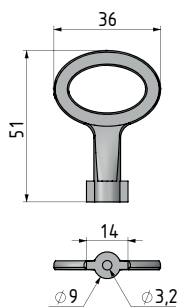
**MULTIPLE KEYS (METAL)**



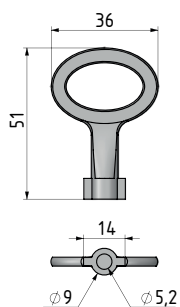
**56813** Multiple key

**56913** Railway key

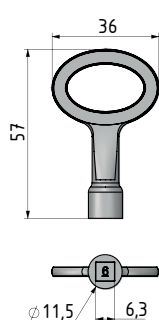
## METAL KEYS (SHORT)



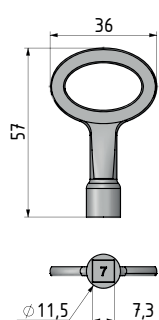
**26713**  
3 mm Double bit



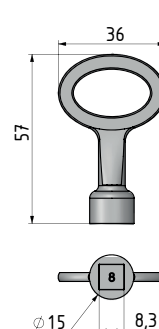
**26715**  
5 mm Double bit



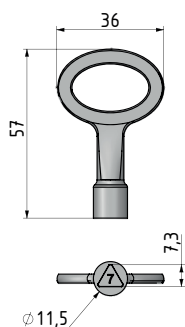
**26726**  
6 mm Square



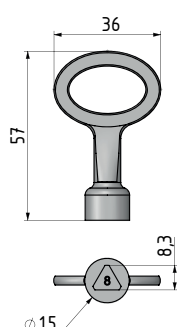
**26727**  
7 mm Square



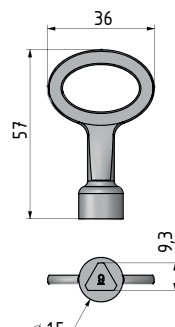
**26728**  
8 mm Square



**26737**  
7 mm Triangular



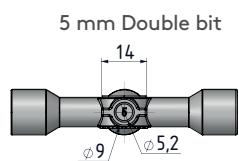
**26738**  
8 mm Triangular



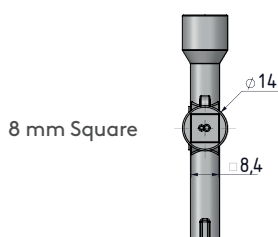
**26739**  
9 mm Triangular

## MULTIPLE KEYS (METAL)

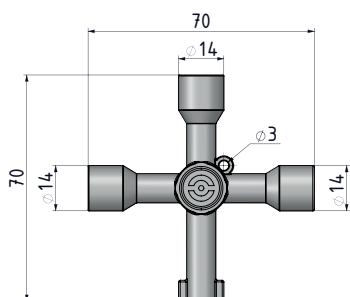
**NEW**



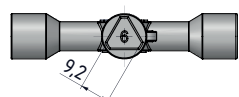
5 mm Double bit



8 mm Square



9 mm Triangular



6 mm Hexagon

Chrome plated: 66811  
Black coated : 66812





195



196



197



198



199



200-201



202



203



204



205



206



207



208



209



NEW

210-211



212



213



214



215



216



217



218



219



219



220



221



222



223



224



225



226



227



228



229



230



231



232-233



234



235



236



NEW

237



238



239



240



NEW

241



NEW

242



243,245



244



## QUARTER-TURN LOCKS

192-245





# ▶ QUARTER-TURN LOCKS


M	F	
1	1	Zamak / chrome plated
1	2	Zamak / black coated
2	0	Polyamide / No finish


**M** MATERIAL      **F** FINISH      **DD** DRIVER CODE


## DRIVERS

3 mm Double bit		M	F	Stock code
DD		1	1	30101127Y
		1	2	30101126Y
		2	0	30102012Y


5 mm Double bit		M	F	Stock code
DD		1	1	30101099Y
		1	2	30101125Y
		2	0	30102001Y


8 mm Square		M	F	Stock code
DD		1	1	30101113Y
		1	2	30101065Y
		2	0	30102011Y


6 mm Square		M	F	Stock code
DD		1	1	30101058Y
		1	2	30101139Y
		2	0	30102009Y


7 mm Square		M	F	Stock code
DD		1	1	30101039Y
		1	2	30101138Y
		2	0	30102010Y


9 mm Triangular		M	F	Stock code
DD		1	1	30101066Y
		1	2	30101140Y
		2	0	30102007Y


7 mm Triangular		M	F	Stock code
DD		1	1	30101124Y
		1	2	30101120Y
		2	0	30102008Y


8 mm Triangular		M	F	Stock code
DD		1	1	30101114Y
		1	2	30101064Y
		2	0	30102006Y


Slot		M	F	Stock code
DD		1	1	30101636Y
		1	2	30101637Y
		2	0	•


Slot (2x4)		M	F	Stock code
DD		1	1	30101146Y
		1	2	30101149Y
		2	0	30102005Y


8 mm Square Slot		M	F	Stock code
DD		1	1	30101175Y
		1	2	30101176Y
		2	0	•


10 mm Hexagon female		M	F	Stock code
DD		1	1	30101169Y
		1	2	30101170Y
		2	0	•


8 mm Hexagon female		M	F	Stock code
DD		1	1	30101195Y
		1	2	30101196Y
		2	0	•

5x10 Slot		M	F	Stock code
DD		1	1	30101188Y
		1	2	30101189Y
		2	0	•


6 mm Square		M	F	Stock code
DD		1	1	30101173Y
		1	2	30101174Y
		2	0	•


Railway		M	F	Stock code
DD		1	1	30101171Y
		1	2	30101172Y
		2	0	•

Eastern		M	F	Stock code
DD		1	1	30101177Y
		1	2	30101178Y
		2	0	•

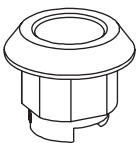
Tork (T-30)		M	F	Stock code
DD		1	1	30101213Y
		1	2	•
		2	0	•

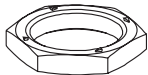
11 mm Hexagon male		M	F	Stock code
DD		1	1	30101675Y
		1	2	30101676Y
		2	0	•

Fiat		M	F	Stock code
DD		1	1	30101677Y
		1	2	30101678Y
		2	0	•


NEW EBR		M	F	Stock code
DD		1	1	30101939Y
		1	2	•
		2	0	•

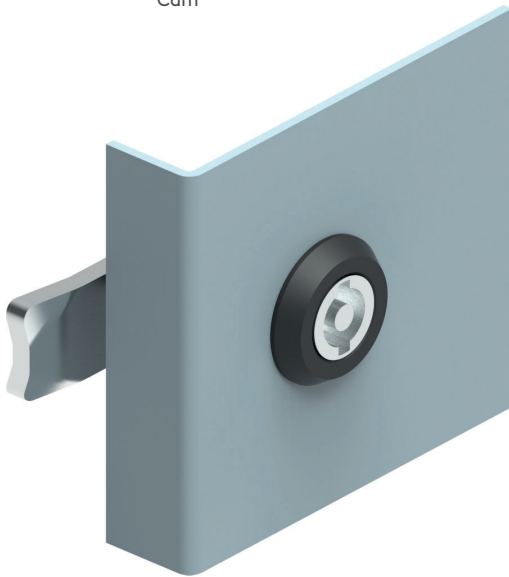
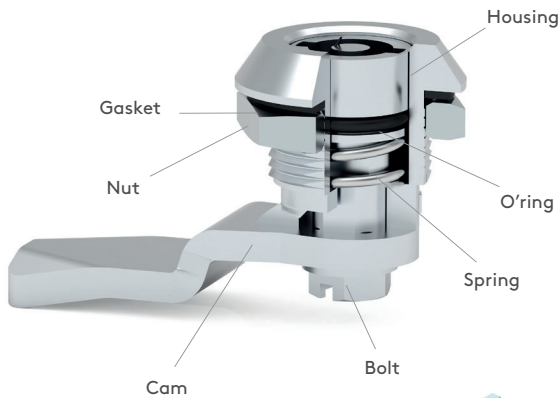
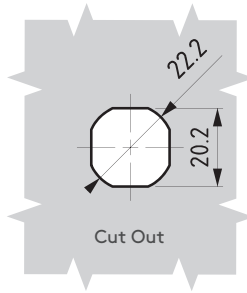
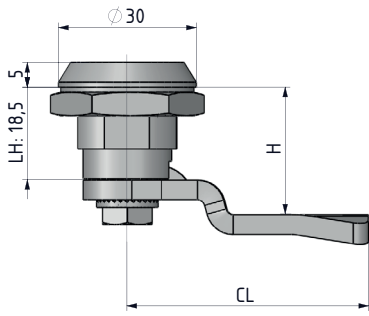
## HOUSING, NUT, SEALING WASHER, SPRING, SCREW, O-RING

Housing		M	F	Stock code
	1	1	30301019Y	
	1	2	30301035Y	
	1	1	*30301226Y	
	1	2	*30301283Y	
	2	0	30302061Y	

Nut		M	F	Stock code
	1	1	30501015Y	
	2	0	30502002Y	

\* Suitable for Railway driver

	Sealing Washer	30802021Y
	Spring	30703001Y
	Screw (6x10 Kombi)	30603002Y
	Screw (5x11 RYSB)	30603055Y
	O'Ring (IP 65)	30802002Y



060

QUARTER TURN –  
SPRING LOADED



- Stainless steel version: page: 458
- Specially designed internal spring provides 1.5 mm of compression
- Cam does not rotate beyond quarter turn due to stop lip

**MATERIAL**

HOUSING: Zamak DIN-EN 1774-ZnAl4Cu1 or PA6 GFR 30

DRIVER: Zamak DIN-EN 1774-ZnAl4Cu1 or PA6 GFR 30

CAM: Steel or plastic

GASKET: Rubber

**FINISH**

Chrome plated or black coated

MATERIAL	M	FINISH	F
Zamak	1	Chrome plated	1
		Black coated	2
Plastic	2	No finish	0

Group Code	Housing	Driver	Driver No	Cam
060	M	F	M	F
			DD	CC

For cams please check pages: 170 - 171

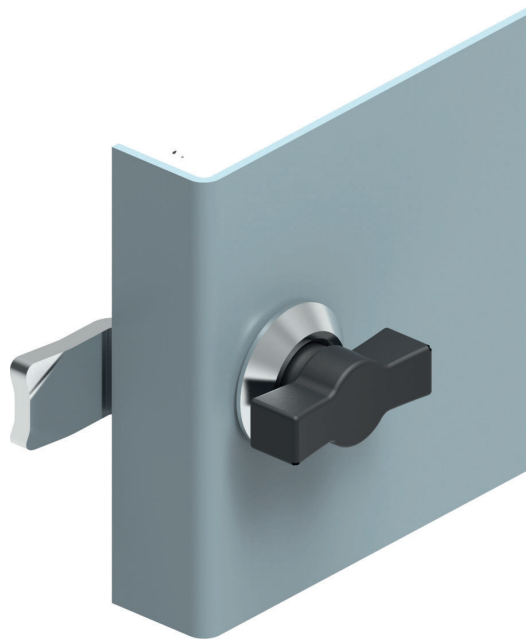
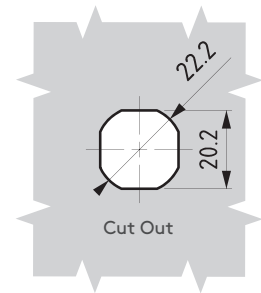
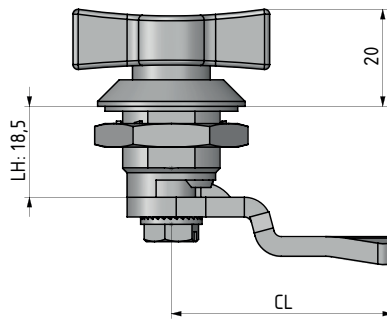
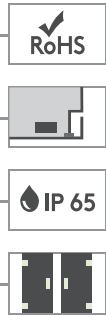
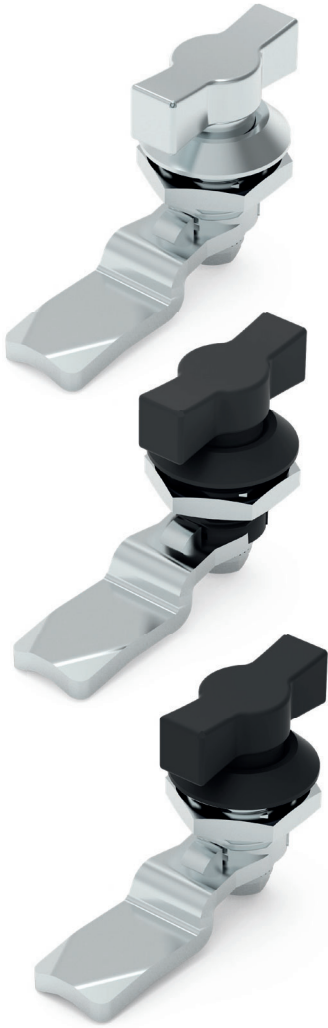
For rods please check pages: 178 - 188

For keys please check pages: 189 - 191

# ▶ QUARTER-TURN LOCKS

## QUARTER TURN – WING KNOB

062



- Wing operates lock and serves as knob

**MATERIAL**  
**HOUSING:** Zamak DIN-EN 1774-ZnAl4Cu1 or PA6 GFR 30  
**KNOB:** Zamak DIN-EN 1774-ZnAl4Cu1 or PA6 GFR 30  
**CAM:** Steel or Plastic  
**GASKET:** Rubber

**FINISH**  
 Chrome or Black coated

MATERIAL	M	FINISH	F
Zamak	1	Chrome plated	1
		Black coated	2
Plastic	2	No finish	0

Group Code	Housing	Knob	Cam
062	M	F	CC

For cams please check pages: 170 - 171

For rods please check pages: 178 - 188



362

QUARTER TURN - WING KNOB



- Wing operates lock and serves as knob

**MATERIAL**

HOUSING: Zamak DIN-EN 1774-ZnAl4Cu1 or PA6 GFR 30  
 KNOB: Zamak DIN-EN 1774-ZnAl4Cu1 or PA6 GFR 30

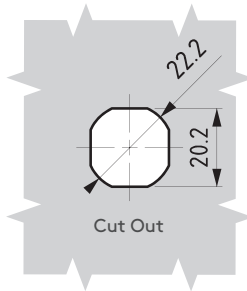
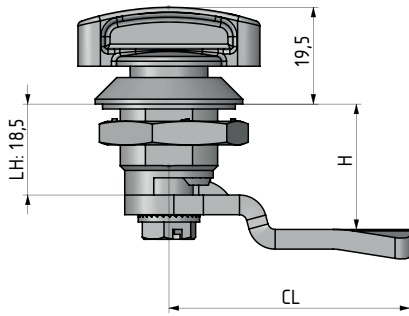
CAM: Steel or plastic  
 GASKET: Rubber

**FINISH**

Chrome plated or black coated

For cams please check pages: 170 - 171

For rods please check pages: 178 - 188



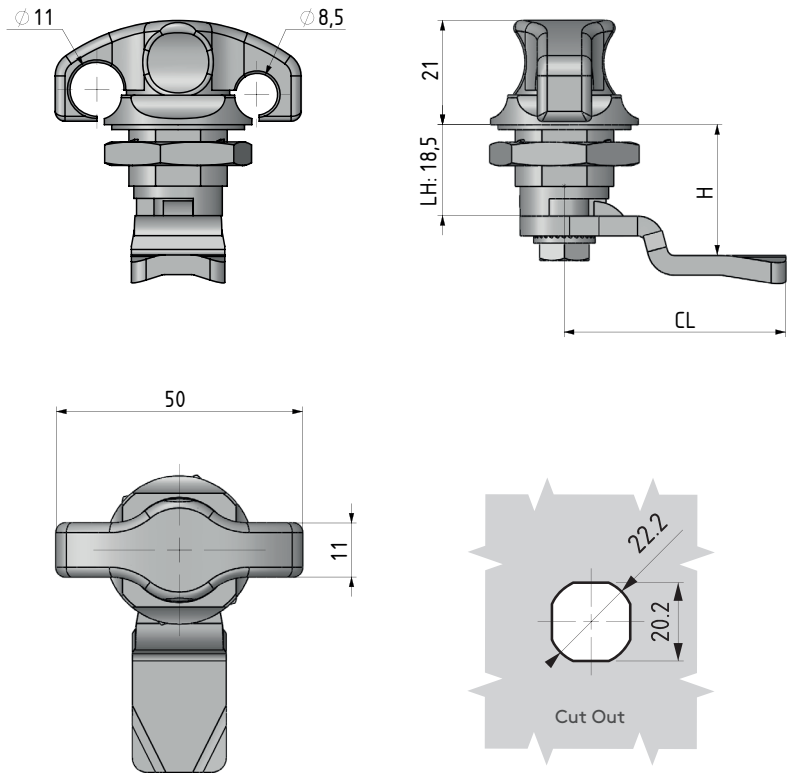
MATERIAL	M	FINISH	F
Zamak	1	Chrome plated	1
		Black coated	2
Plastic	2	No finish	0

Group Code	Housing	Knob	Cam
362	M F	M F	CC

# ▶ QUARTER-TURN LOCKS

## PADLOCKABLE WING KNOB

562



- Stainless Steel version: page 471
- Shackle diameter is
  - for 11 mm hole:
    - min. 8.5 mm
    - max. 10 mm
  - for 8.5 mm hole:
    - min. 6 mm
    - max. 7.5 mm

### MATERIAL

HOUSING: Zamak DIN-EN 1774-ZnAl4Cu1  
 KNOB: Zamak DIN-EN 1774-ZnAl4Cu1  
 CAM: Steel

### FINISH

Chrome plated or black coated

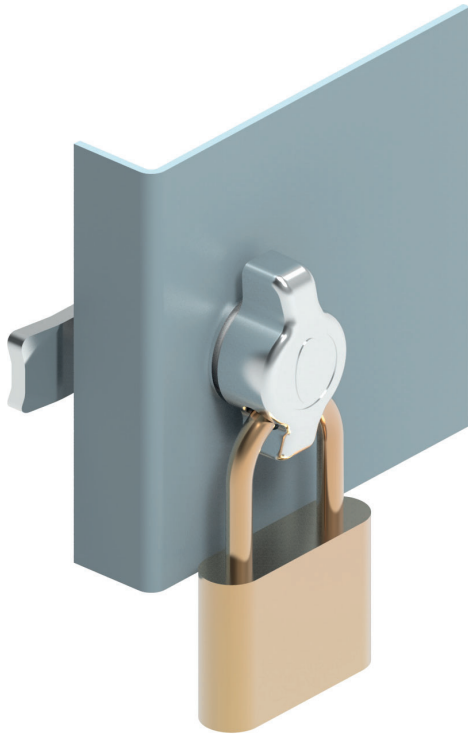
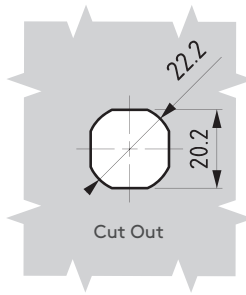
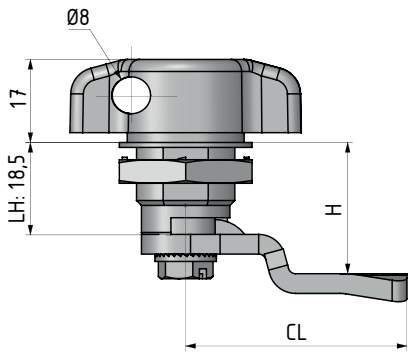


FINISH	F
Chrome plated	1
Black coated	2

Group Code	Finish	Cam
562	F	CC

For cams please check pages: 170 - 171

For rods please check pages: 178 - 188



262

PADLOCKABLE WING KNOB



• Padlockable wing knob. Maximum shackle diameter 6 mm

**MATERIAL**

HOUSING: Zamak DIN-EN 1774-ZnAl4Cu1  
 KNOB: Zamak DIN-EN 1774-ZnAl4Cu1  
 CAM: Steel

**FINISH**

Chrome plated or black coated

FINISH	F
Chrome plated	1
Black coated	2

DOOR DIRECTION	
Right hand	001
Left hand	002

Group Code	Finish	Cam	Door Direction
262	F	CC	

For cams please check pages: 170 - 171

For rods please check pages: 178 - 188

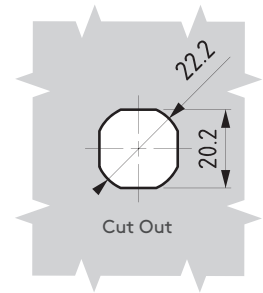
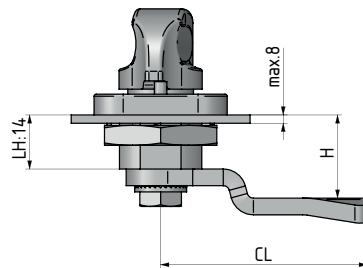
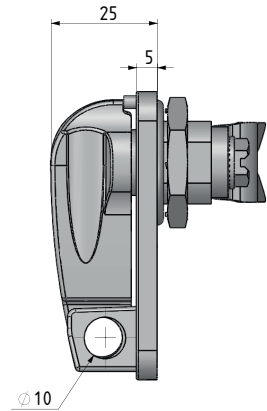
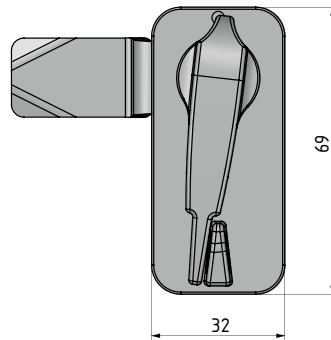
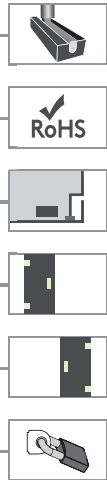
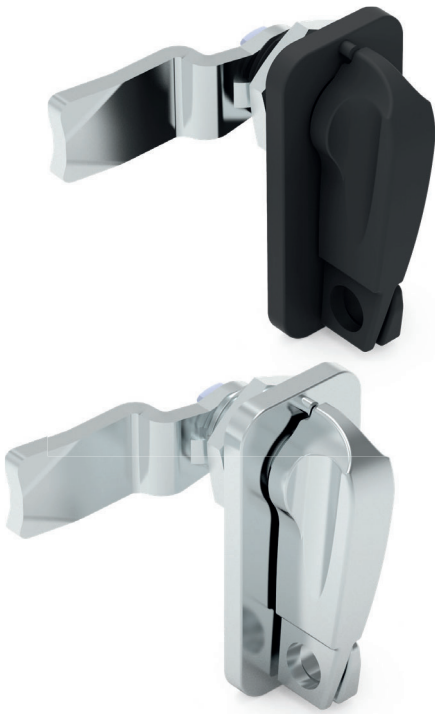


# ▶ QUARTER-TURN LOCKS

## QUARTER TURN-PADLOCKABLE

662

V:1



- Standard cams without stopper required for these locks
- Maximum shackle diameter 8 mm

### MATERIAL

HOUSING: Zamak DIN-EN 1774-ZnAl4Cu1  
 KNOB: Zamak DIN-EN 1774-ZnAl4Cu1  
 CAM: Steel

### FINISH

Chrome plated or black coated



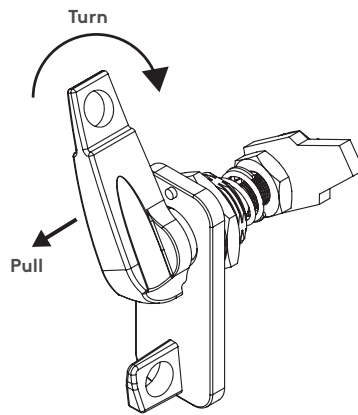
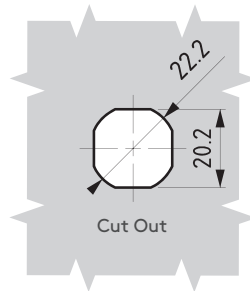
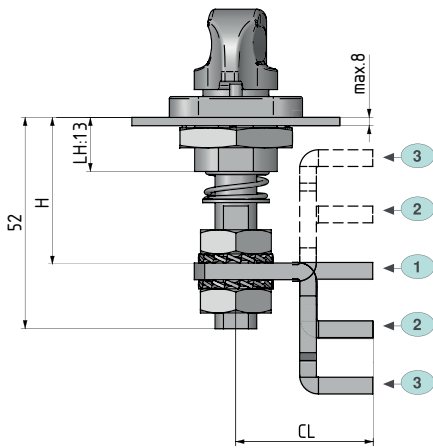
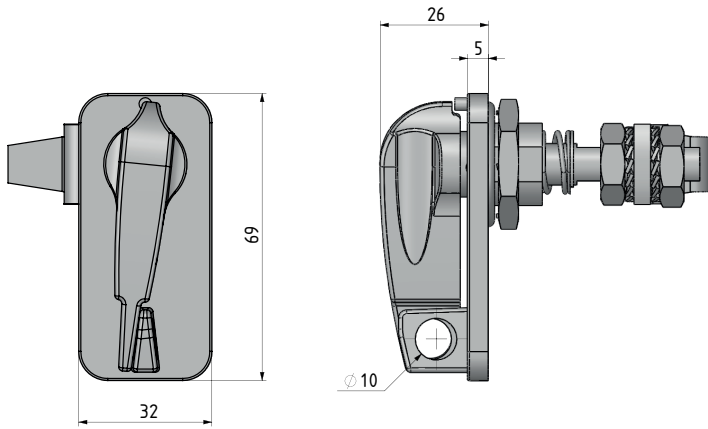
MATERIAL	M	FINISH	F	DOOR DIRECTION	
Zamak	1	Chrome plated	1	Right hand	001
		Black coated	2	Left hand	002

Group Code	Version	Material	Finish	Cam	Door Direction
662	1	1	F	CC	

For cams please check pages: 170 - 171



V: 2



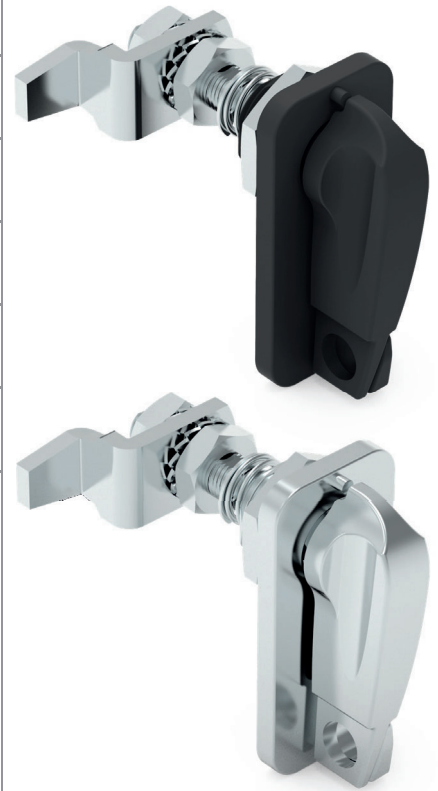
CAM	CC	CH	CL	POSITION	H: GRIP MIN	H: GRIP MAX
1	01	0	33	Flat	30	41,5
2	02	14	33	Up	16	27,5
				Down	44	55,5
3	03	27,5	33	Up	2,5	14
				Down	57,5	69

MATERIAL	M	FINISH	F
Zamak	1	Chrome plated	1
		Black coated	2

Group Code	Version	Material	Finish	Cam
662	2	1	F	CC

662

QUARTER TURN-PADLOCKABLE



- Adjustable cam
- Three different cam alternatives available
- Maximum shackle diameter 8 mm
- Suitable for left-hand and right-hand applications

**MATERIAL**  
 HOUSING: Zamak DIN-EN 1774-ZnAl4Cu1  
 KNOB: Zamak DIN-EN 1774-ZnAl4Cu1  
 CAM: Steel

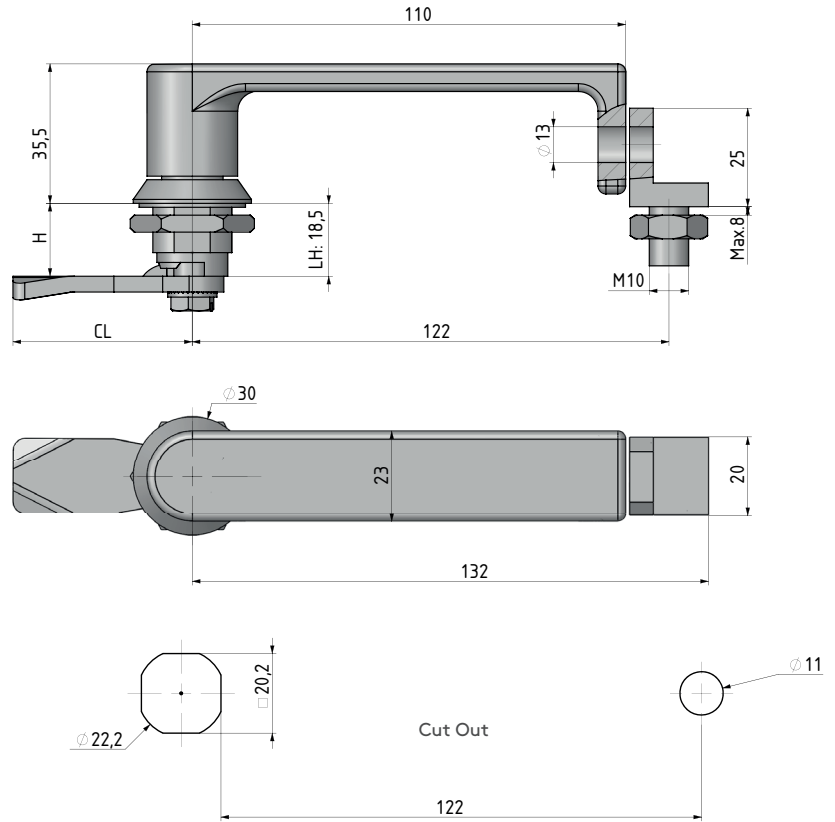
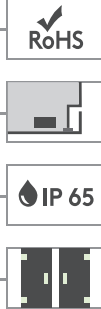
**FINISH**  
 Chrome plated or black coated



# ▶ QUARTER-TURN LOCKS

PADLOCKABLE - 'L' HANDLE

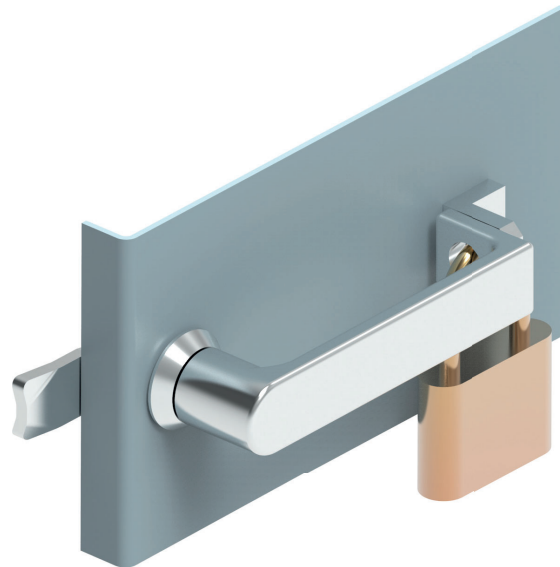
211



- Stainless Steel version: page 470
- Padlockable steel lock can be used for outdoor enclosures.
- Suitable for hygienic cabinets and electrical enclosures.

**MATERIAL**

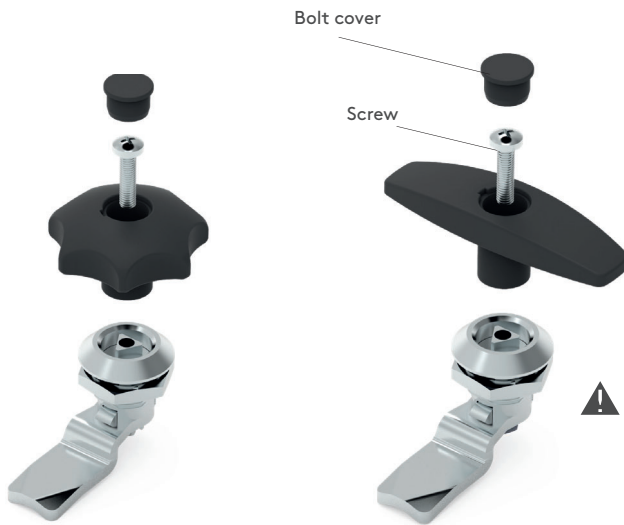
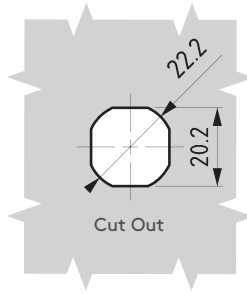
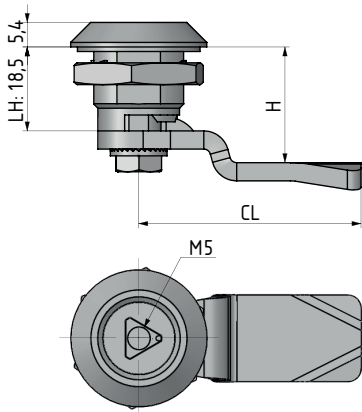
HOUSING: Zamak DIN-EN 1774-ZnAl4Cu1  
 KNOB: Zamak DIN-EN 1774-ZnAl4Cu1  
 CAM: Steel  
 GASKET: Rubber



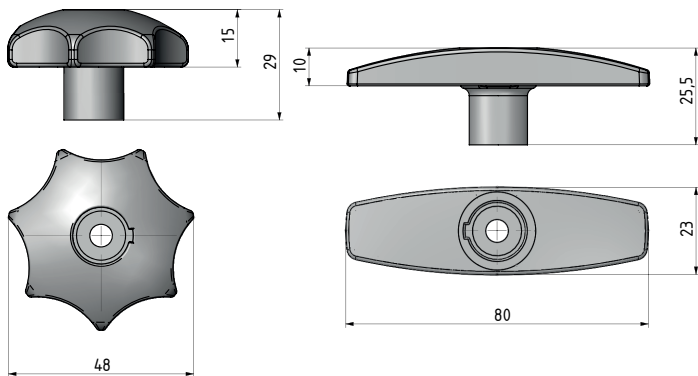
MATERIAL	M	FINISH	F
Zamak	1	Chrome plated	1
		Black coated	2

Group Code	Housing	Handle	Cam
211	1	F	CC

For cams please check pages: 170 - 171



**Note:** Supplied with screw and cover



MATERIAL	M	FINISH	F
Zamak	1	Chrome plated	1
		Black coated	2

SPECIFICATIONS	HANDLE
No handle	00
Star handle	01
'T' handle	02

Group Code	Handle	Housing	Driver	Driver No	Cam
960		1 F	1 F	39	CC

960

QUARTER TURN - MODULER HANDLE

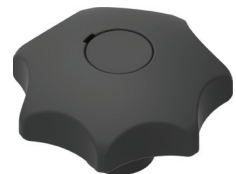


- Two different plastic handle options are available.
- Handles and lock can be ordered separately and assembled by single screw

**MATERIAL**  
**HOUSING:** Zamak DIN-EN 1774-ZnAl4Cu1  
**DRIVER:** Zamak DIN-EN 1774-ZnAl4Cu1  
**CAM:** Steel  
**GASKET:** Rubber

HANDLES

Star handle



'T' handle



320.02.218

320.02.219

- Handles can be order separately

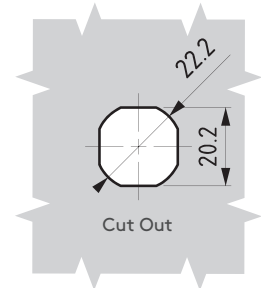
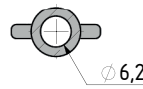
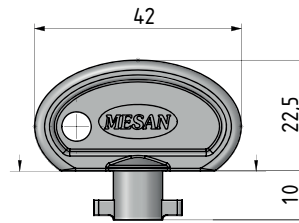
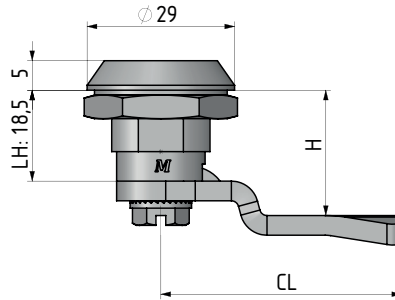
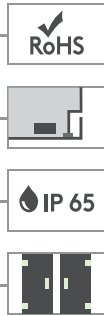
**MATERIAL**  
**HANDLE :** PA6 GFR 30  
**COVER :** PA6 GFR 30  
**BOLT :** STEEL

For cams please check pages: 170 - 171

# ▶ QUARTER-TURN LOCKS

## SECURE QUARTER TURN

361



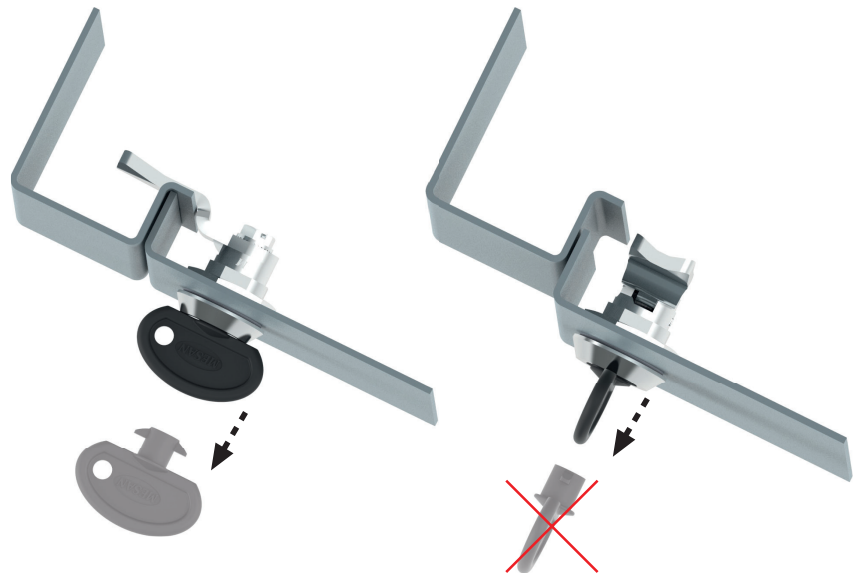
- When lock is open, key functions as a knob
- Key is specific to this lock and should be ordered at same time

### MATERIAL

HOUSING: Zamak DIN-EN 1774-ZnAl4Cu1  
 DRIVER: Zamak DIN-EN 1774-ZnAl4Cu1  
 CAM: Steel  
 GASKET: Rubber

### FINISH

Chrome plated or black coated



Key is removable at locked position

Key is removable at locked position

MATERIAL	M	FINISH	F
Zamak	1	Chrome plated	1
		Black coated	2

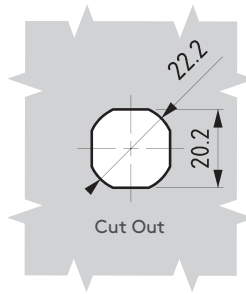
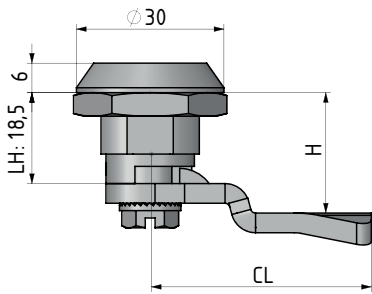
Group Code	Material	Finish	Cam
361	1	F	CC

Lock

Group Code	Material	Finish
167	1	F

Key

For cams please check pages: 170 - 171



461

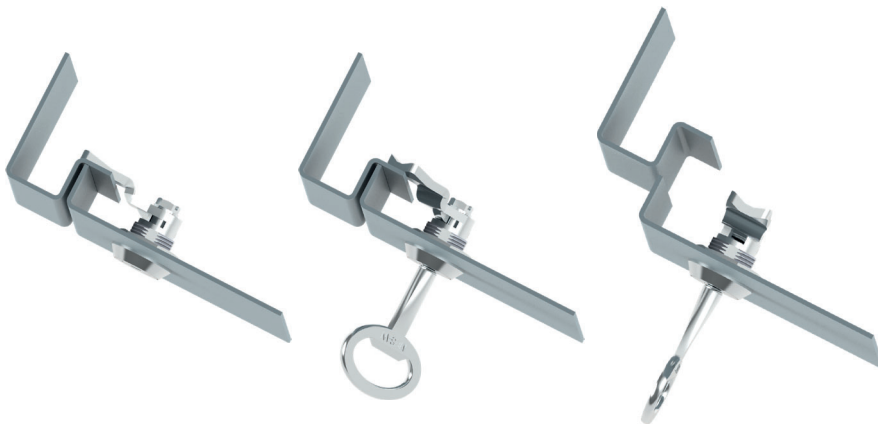
SECURE QUARTER TURN



- When lock is open, key functions as a knob.

**MATERIAL**

HOUSING: Zamak DIN-EN 1774-ZnAl4Cu1  
 DRIVER: Zamak DIN-EN 1774-ZnAl4Cu1  
 CAM: Steel  
 GASKET: Rubber



Key is removable at locked position

Key is not removable at open position, it works like a knob.

SPECIAL KEYS

DRIVERS		
5 mm Double bit	8 mm Square	Fiat
15	96	95



MATERIAL	M	FINISH	F
Zamak	1	Chrome plated	1

DOOR DIRECTION	
Right hand	001
Left hand	002

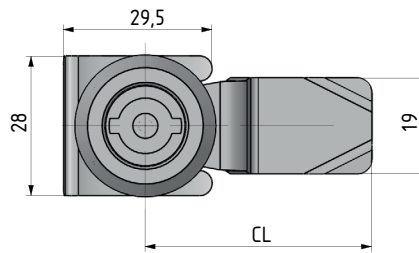
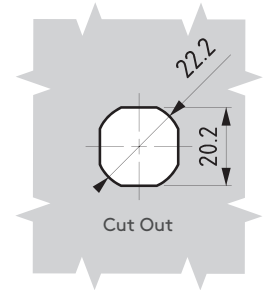
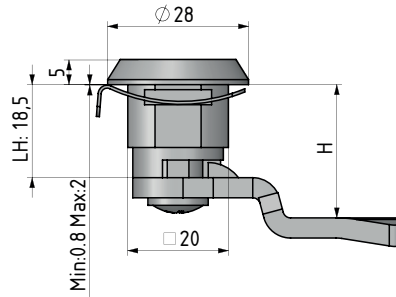
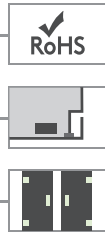
Group Code	Housing	Driver	Driver No	Cam	Door Direction
461	1	1	1	DD	CC

For cams please check pages: 170 - 171

# ▶ QUARTER-TURN LOCKS

## QUARTER TURN – EASY FIXING

560

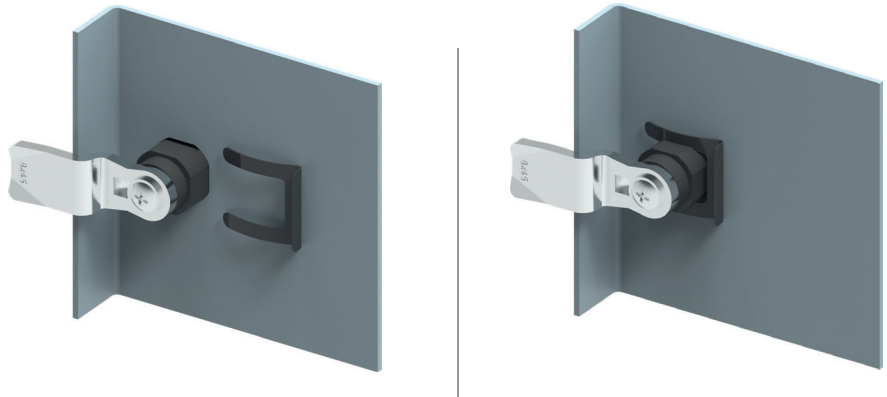


- Easy assembly by clips
- Specially designed internal spring provides 1.5 mm torsion
- Can be used for panel thickness 0.8 to 2 mm
- Please contact Essentra Components for special colours

### MATERIAL

HOUSING: PA6 GFR 30  
 DRIVER: Zamak DIN-EN 1774-ZnAl4Cu1 or PA6 GFR 30  
 CAM: Steel or plastic

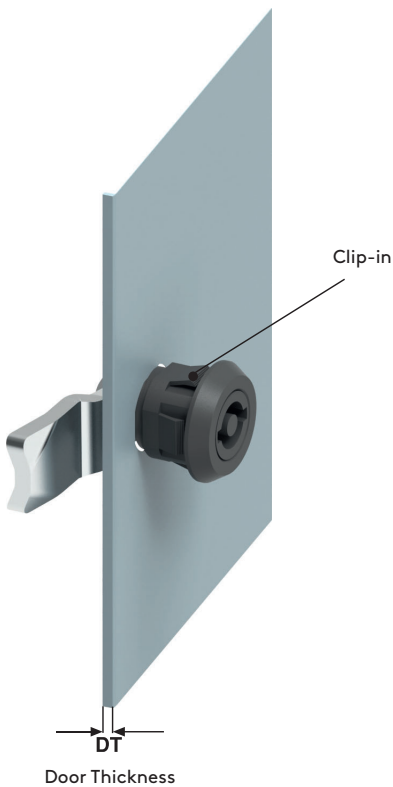
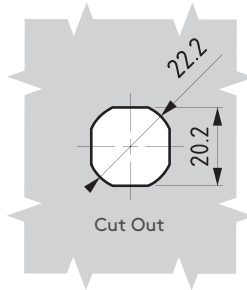
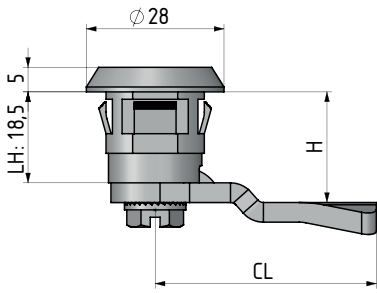
### Easy fixing



MATERIAL	M	FINISH	F
Zamak	1	Chrome plated	1
		Black coated	2
Plastic	2	No finish	0

Group Code	Housing	Driver	Driver No	Cam
560	2	0	M F	DD CC

- For cams please check pages: 170 - 171
- For drivers please check page: 194
- For keys please check pages: 189 - 191



Door Thickness (DT)	Version
0.8 -1.2 mm	1
1.2 -1.5 mm	2
1.5 - 2 mm	3 *

\* in this version IP 65 is not available

660

QUARTER TURN – EASY FIXING



- Easy assembly by clips
- Mounting nut not required.
- Specially designed internal spring provides 1.5 mm torsion
- Can be used for panel thickness 0.8 to 2 mm
- Please contact Essentra Components for special colours

**MATERIAL**

HOUSING: PA6 GFR 30  
 DRIVER: Zamak DIN-EN 1774-ZnAl4Cu1 or PA6 GFR 30  
 CAM: Steel or plastic

MATERIAL	M	FINISH	F
Zamak	1	Chrome plated	1
		Black coated	2
Plastic	2	No finish	0

Group Code	Version	Housing	Driver	Driver No	Cam
660	V	2	0	M F	DD CC

 For cams please check pages: 170 - 171

 For drivers please check page: 194

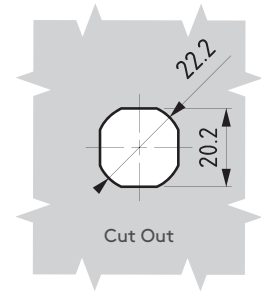
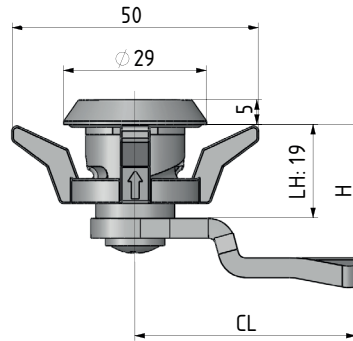
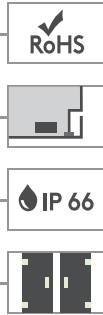
 For keys please check pages: 189 - 191



# ▶ QUARTER-TURN LOCKS

## QUARTER TURN – EASY FIXING

661



- Easy assembly - without tools
- Standard cut out
- 2.0 mm maximum panel thickness

### MATERIAL

HOUSING: Polyamide DIN-EN ISO 1043-1 PA6 GFR 30  
 DRIVER: PA6 GFR 30  
 CAM: Steel

### DRIVERS

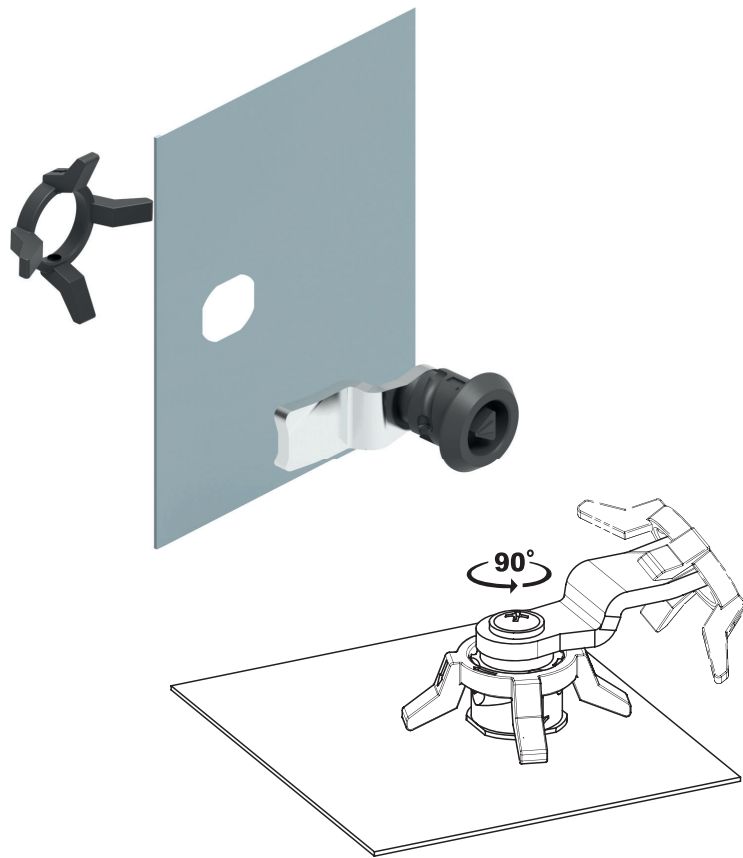
#### 5 mm Double bit



#### 8 mm Square



#### 9 mm Triangular



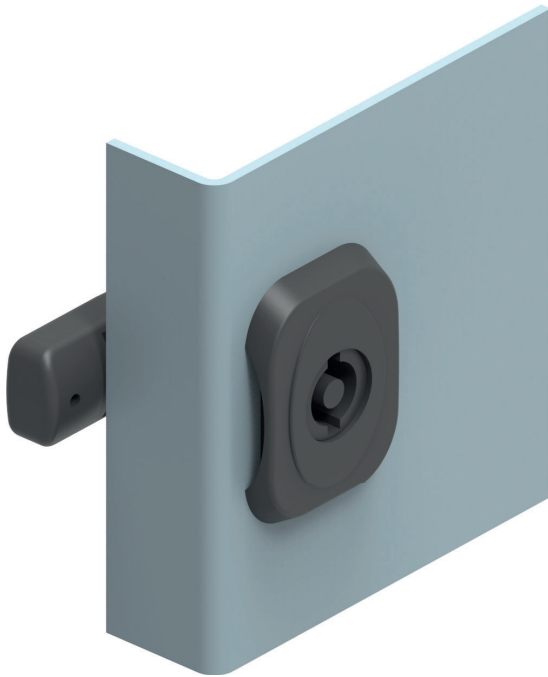
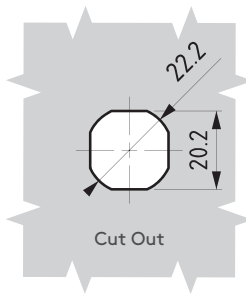
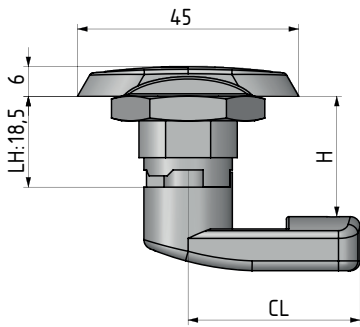
**⚠ Note:** For different drivers please contact Essentra

MATERIAL	M	FINISH	F
Plastic	2	No finish	0

Group Code	Housing	Driver	Driver No	Cam
661	2 0	2 0	DD	CC

For cams please check pages: 170 - 171

For keys please check pages: 189 - 191



561

Knob Lock (Plastic)



- Designed to act as a knob.
- For special colours, please contact Essentra

**MATERIAL**

HOUSING: Polyamide DIN-EN ISO 1043-1 PA6 GFR 30  
 DRIVER: Zamak or PA6 GFR 30  
 NUT: Zamak or PA6 GFR 30  
 CAM: Steel or plastic

MATERIAL	M	FINISH	F
Zamak	1	Chrome plated	1
		Black coated	2
Plastic	2	No finish	0

Group Code	Housing	Driver	Driver No	Cam
561	2 0	M F	DD	CC

For cams please check pages: 170 - 171

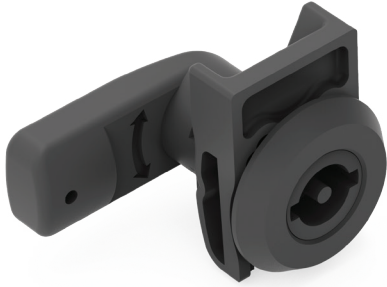
For drivers please check page: 194

For keys please check pages: 189 - 191

# ▶ QUARTER-TURN LOCKS

## QUARTER TURN – EASY FIXING

761



**NEW**

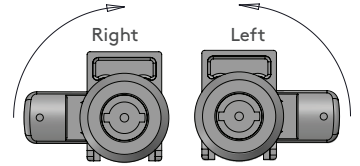
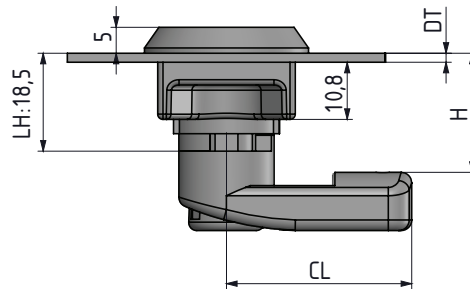
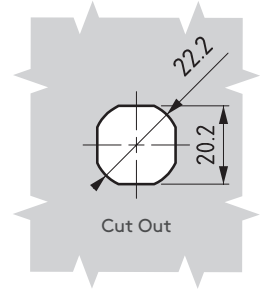
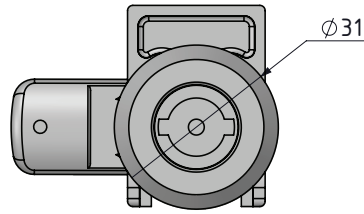
RoHS



IP 66



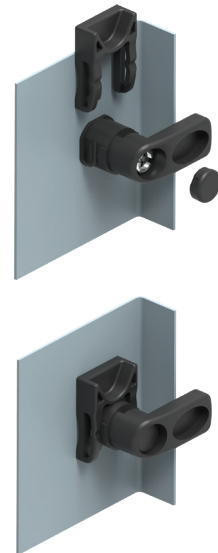
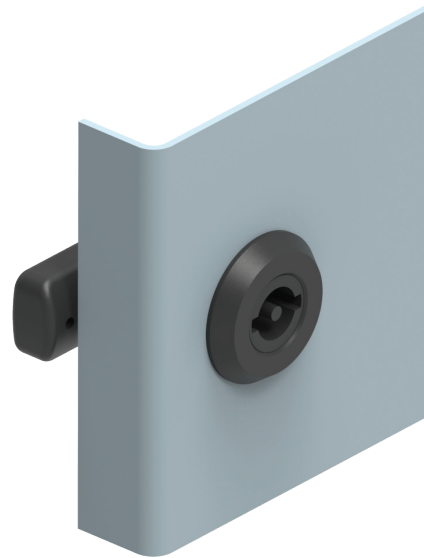
V:1



- Easy assembly by plastic clips
- Applicable on different panel thicknesses
- Various driver options are possible
- Standard cut out


**MATERIAL**

HOUSING: Polyamide DIN-EN ISO 1043-1 PA6 GFR 30  
 DRIVER: Plastic or zamak  
 CAM: Plastic or steel



 320.02.221  
**BOLT COVER** (For grounding)




- Can order separately (only for plastic cams)

 **Note:** For different colors please contact Essentra

DOOR THICKNESS	DT
1.2 -1.8 mm panel	12
1.8 -2.3 mm pane	23

DOOR DIRECTION	
Right hand	001 
Left hand	002 

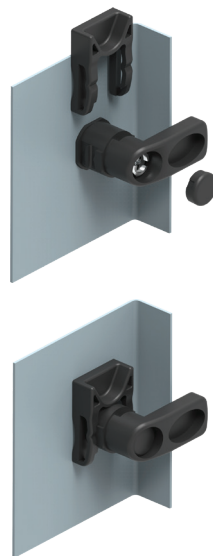
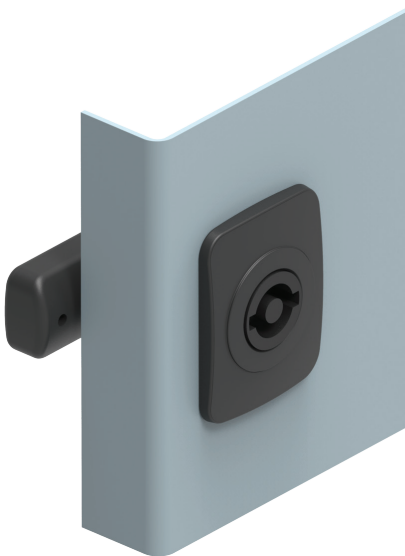
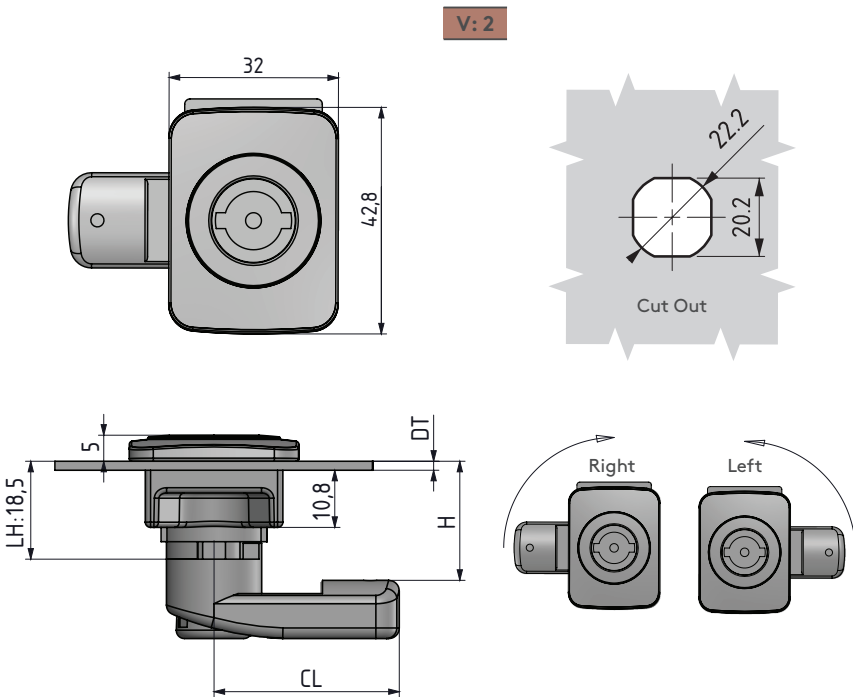
MATERIAL	M	FINISH	F
Zamak	1	Chrome plated	1
		Black coated	2
Plastic	2	No finish	0

-  For cams please check pages: 170 - 171
-  For drivers please check page: 194
-  For keys please check pages: 189 - 191

Group Code	Version	Driver	Driver No	Door Thickness	Cam	Door Direction
761	1	M F	DD	DT	CC	



**761** QUARTER TURN – EASY FIXING



- Easy assembly by plastic clips
- Applicable on different panel thicknesses
- Various driver options are possible
- Logo application upon request
- Standard cut out

**MATERIAL**

HOUSING: Polyamide DIN-EN ISO 1043-1 PA6 GFR 30  
 DRIVER: Plastic or zamak  
 CAM: Plastic or steel



**320.02.221**  
**BOLT COVER** (For grounding)

- Can order separately (only for plastic cams)

**⚠ Note:** For different colors please contact Essentra

DOOR THICKNESS	DT
1.2 -1.8 mm panel	12
1.8 -2.3 mm pane	23

DOOR DIRECTION	
Right hand	001
Left hand	002

MATERIAL	M	FINISH	F
Zamak	1	Chrome plated	1
		Black coated	2
Plastic	2	No finish	0

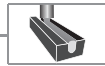
Group Code	Version	Driver	Driver No	Door Thickness	Cam	Door Direction
<b>761</b>	<b>2</b>	<b>M</b> <b>F</b>	<b>DD</b>	<b>DT</b>	<b>CC</b>	

- For cams please check pages: 170 - 171
- For drivers please check page: 194
- For keys please check pages: 189 - 191

# ▶ QUARTER-TURN LOCKS

QUARTER TURN - SPRING LOADED

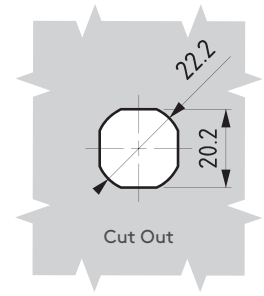
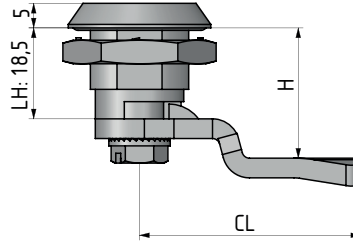
760



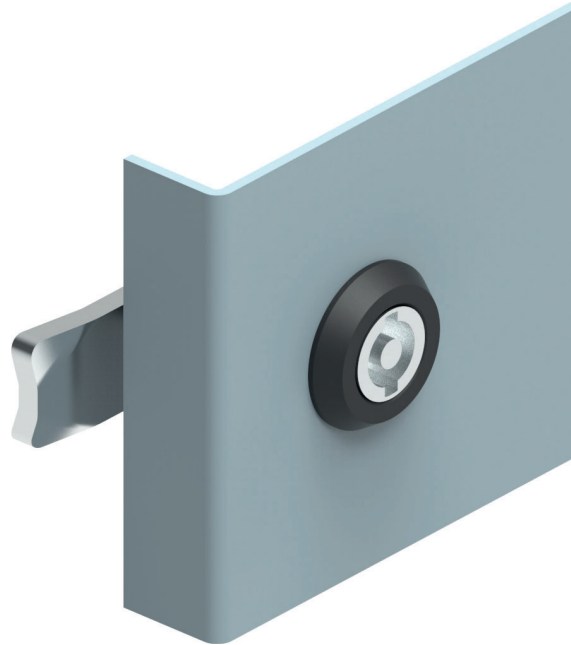
- Specially designed internal spring provides 1.5mm of compression.
- Cam does not rotate beyond quarter turn due to stop lip.

**MATERIAL**

HOUSING: PA6 GFR 30  
 DRIVER: Zamak DIN-EN 1774-ZnAl4Cu1 or PA6 GFR 30  
 CAM: Steel or plastic  
 GASKET: Polyurethane



**Sealing in plastic housing.**  
 This application aims to improve the sealing level in quarter turns.



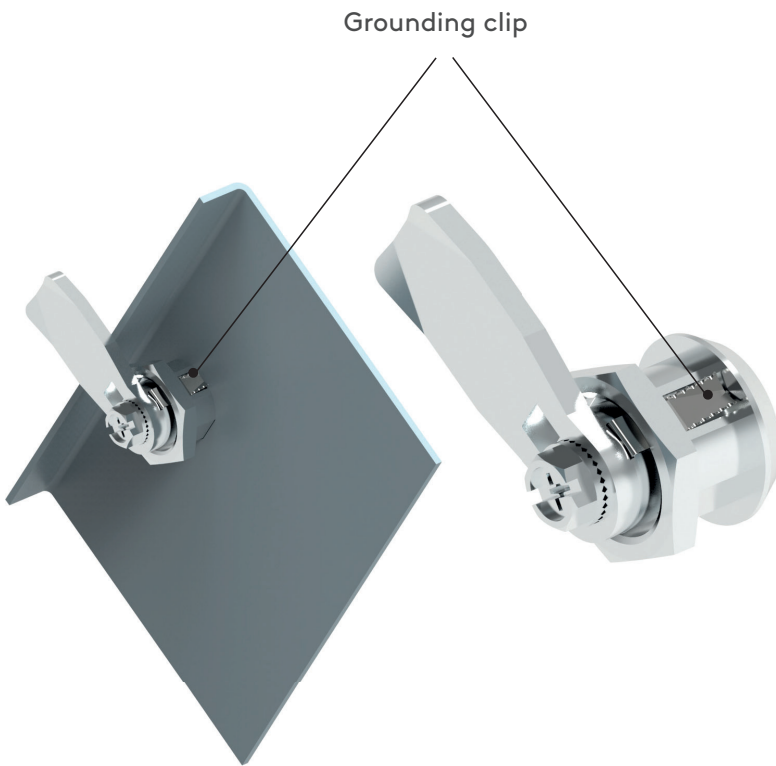
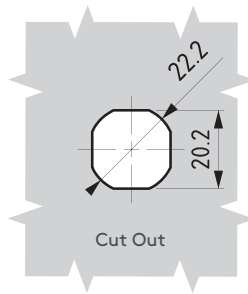
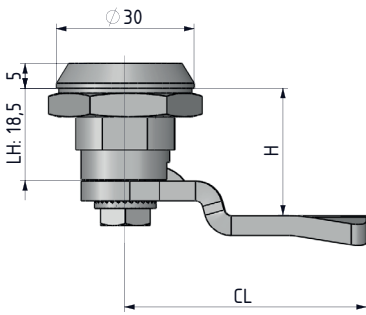
MATERIAL	M	FINISH	F
Zamak	1	Chrome plated	1
		Black coated	2
Plastic	2	No finish	0

Group Code	Housing	Driver	Driver No	Cam
760	2	0	M F	DD CC

For cams please check pages: 170 - 171

For drivers please check page: 194

For keys please check pages: 189 - 191



360

QUARTER TURN –  
SPRING LOADED



- Special clip for grounding
- Specially designed internal spring provides 1.5 mm of compression
- Cam does not rotate beyond quarter turn due to stop lip

**MATERIAL**

HOUSING: Zamak DIN-EN 1774-ZnAl4Cu1

DRIVER: Zamak DIN-EN 1774-ZnAl4Cu1

CAM: Steel or plastic

GASKET: Rubber

GROUNDING CLIP: Stainless steel

**FINISH**

Chrome or Black coated

MATERIAL	M	FINISH	F
Zamak	1	Chrome plated	1
		Black coated	2

Group Code	Material	Finish	Driver No	Cam
360	M	F	DD	CC

For cams please check pages: 170 - 171

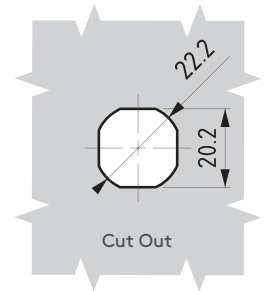
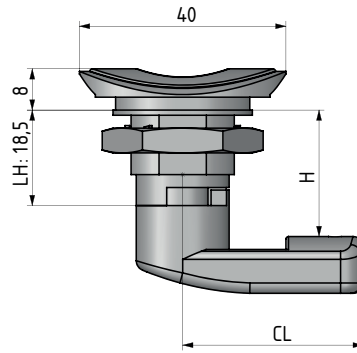
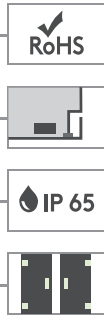
For drivers please check page: 194

For keys please check pages: 189 - 191

# ▶ QUARTER-TURN LOCKS

## KNOB LOCK (Plastic)

161



- Designed to act as a knob
- For special colours, please contact Essentra

### MATERIAL

HOUSING: Polyamide DIN-EN ISO 1043-1 PA6 GFR 30  
 DRIVER: Zamak or PA6 GFR 30  
 NUT: Zamak or PA6 GFR 30  
 CAM: Steel or Plastic



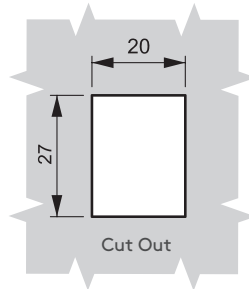
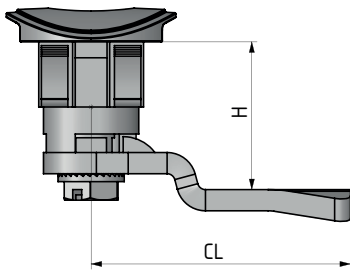
MATERIAL	M	FINISH	F
Zamak	1	Chrome plated	1
		Black coated	2
Plastic	2	No finish	0

Group Code	Housing	Driver	Driver No	Cam
161	2	0	M F	DD CC

- For cams please check pages: 170 - 171
- For drivers please check page: 194
- For keys please check pages: 189 - 191



**261** KNOB LOCK (Plastic)



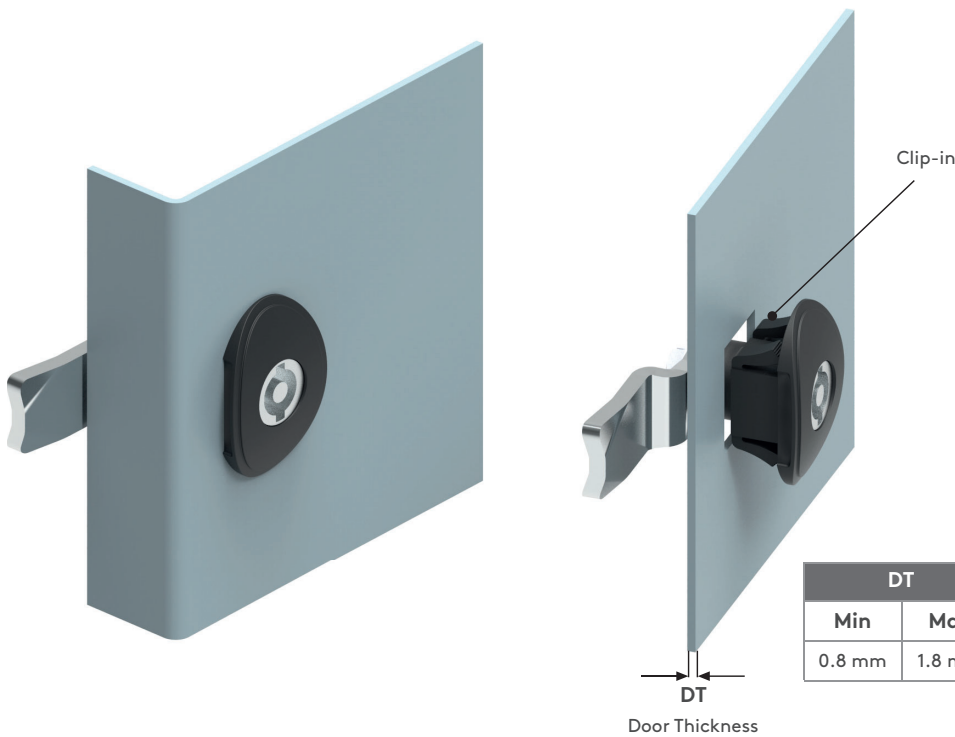
- Clip fixing for easy assembly
- Mounting nut not required
- Special 20 mm x 26 mm cut out
- There is no IP 65 version of this lock
- 1.8 mm maximum panel thickness

**MATERIAL**

HOUSING: Polyamide DIN-EN ISO 1043-1 PA6 GFR 30

DRIVER: Zamak or PA6 GFR 30

CAM: Steel or plastic



DT	
Min	Max
0.8 mm	1.8 mm

MATERIAL	M	FINISH	F
Zamak	1	Chrome plated	1
		Black coated	2
Plastic	2	No finish	0

Group Code	Housing	Driver	Driver No	Cam
261	2 0	M F	DD	CC

For cams please check pages: 170 - 171

For drivers please check page: 194

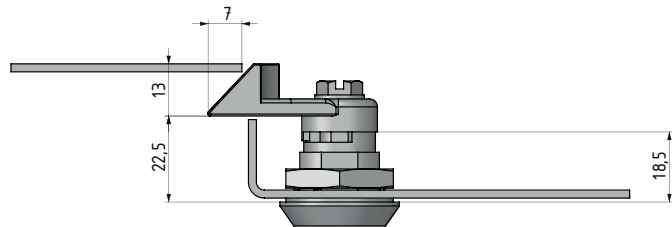
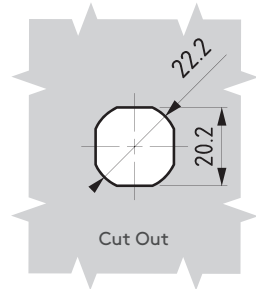
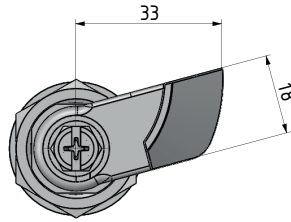
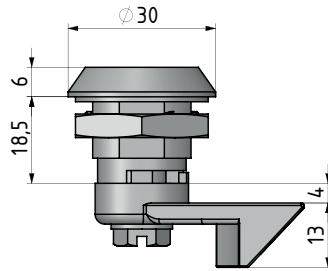
For keys please check pages: 189 - 191



# ▶ QUARTER-TURN LOCKS

## QUARTER TURN – SPRING CAM

160



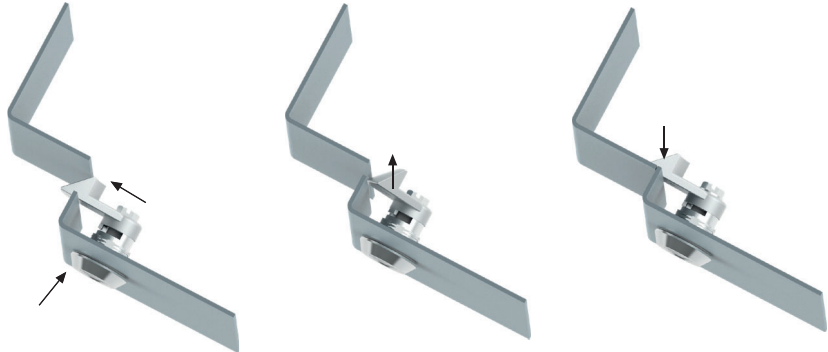
- Stainless steel version: page: 458
- Spring-loaded cam provides depress-to-lock action
- Distance between inside of lock face and front of cam fixed at 22.5 mm
- There is no IP 65 version of this lock, due to spring loaded cam

### MATERIAL

HOUSING: Zamak DIN-EN 1774-ZnAl4Cu1  
 DRIVER: Zamak DIN-EN 1774-ZnAl4Cu1  
 GASKET: Rubber

### FINISH

Chrome plated



Position 1

Push the door

Position 2

Cam will move upright when touches the body

Position 3

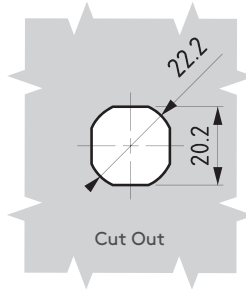
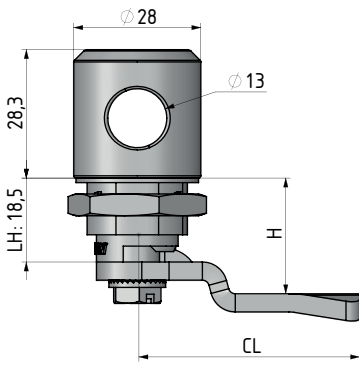
When the cam is free, cam will move down right by spring and the door will lock

MATERIAL	M	FINISH	F	DOOR DIRECTION	
Zamak	1	Chrome plated	1	Right hand	001
		Black coated	2	Left hand	002

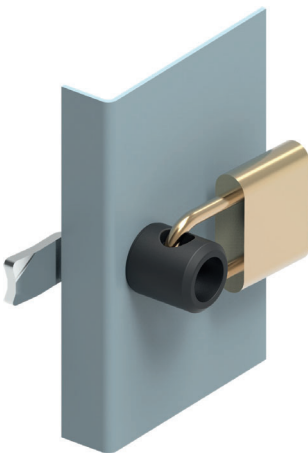
Group Code	Material	Finish	Driver No	Door Direction
160	1	F	DD	

For drivers please check page: 194

For keys please check pages: 189 - 191



Application 1



Application 2



260

QUARTER TURN –  
PADLOCKABLE



- Stainless steel version: page: 459
- Padlockable version
- Can be used with different drivers

**MATERIAL**

HOUSING: Zamak DIN-EN 1774-ZnAl4Cu1

DRIVER: Zamak DIN-EN 1774-ZnAl4Cu1

CAM : Steel

GASKET: Rubber

MATERIAL	M	FINISH	F
Zamak	1	Chrome plated	1
		Black coated	2

Group Code	Housing	Driver	Driver No	Cam
260	1	F	F	DD CC

For cams please check pages: 170 - 171

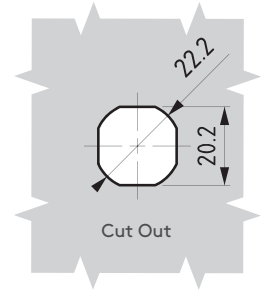
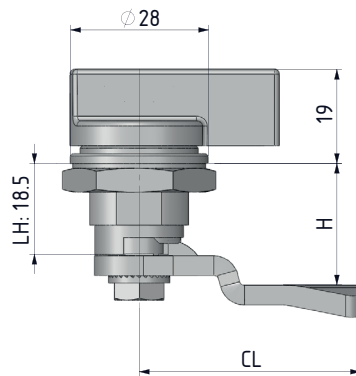
For drivers please check page: 194

For keys please check pages: 189 - 191

# ▶ QUARTER-TURN LOCKS

## PACO LOCK

162



- Paco type knobw

**MATERIAL**

HOUSING: Zamak DIN-EN 1774-ZnAl4Cu1  
 KNOB: PA6 GFR 30  
 CAM: Steel or plastic  
 GASKET: Rubber

**FINISH**

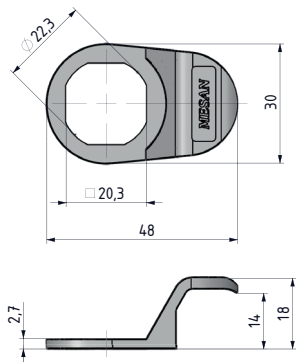
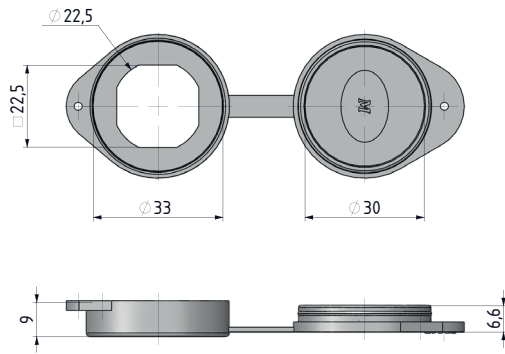
Chrome plated



For cams please check pages: 170 - 171

For rods please check pages: 178 - 188

Group Code	Cam
162	CC



**060 A7**

**DUST CAP**



- Recommended when dust and humidity protection required
- Can be ordered separately

**MATERIAL**  
Polyurethane

**060 A2**

**LOCK HANDLE**



- Reduces the LH and H dimensions by 1 mm. Choose CH -1 mm for cam selection compared to unused

**MATERIAL**  
PA6 GFR 30

# ▶ QUARTER-TURN LOCKS

## FIXING DEVICE

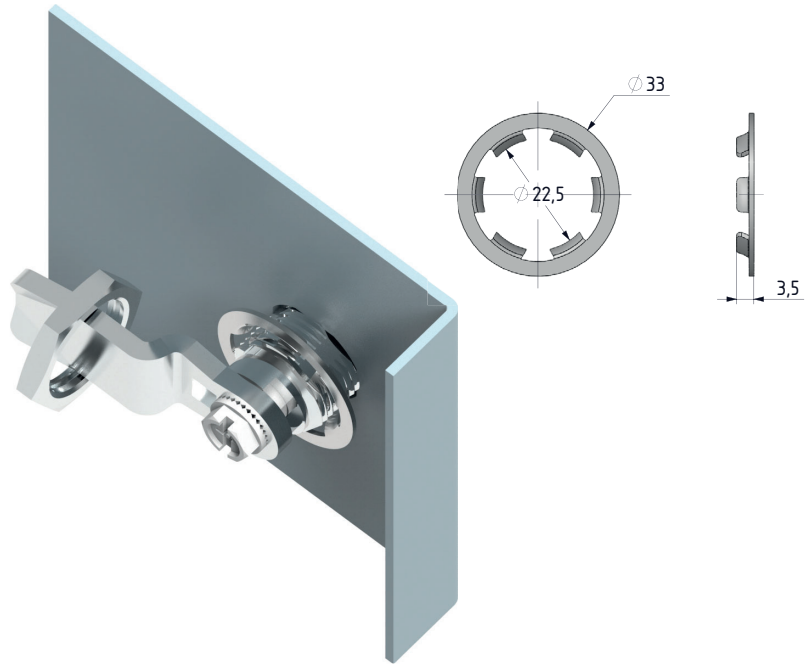
060 A3



- Prevents rotation
- For applications subject to vibration

**MATERIAL**  
Steel

**FINISH**  
Zinc plated



## PADLOCK ADAPTER

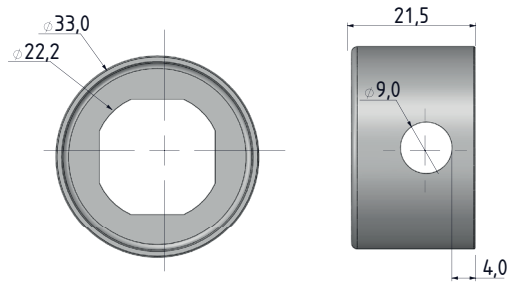
060 A8



- Max. shackle diameters is 8 mm
- Reduces the LH and H dimensions by 2 mm. Choose CH -2 mm for cam selection compared to unused

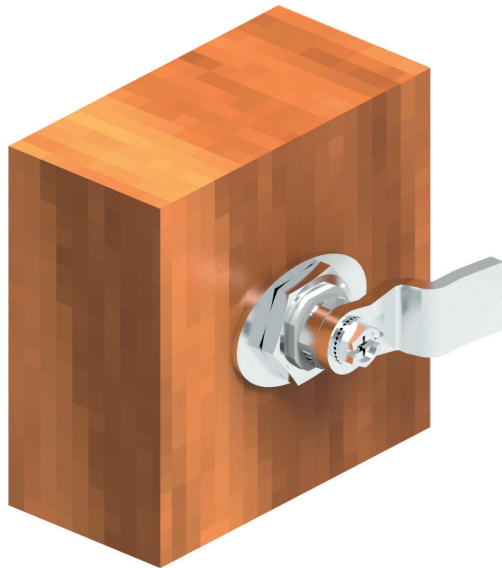
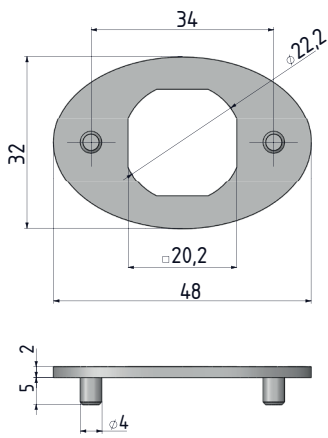
**MATERIAL**  
Steel

**FINISH**  
Zinc plated



060 A5

FIXING DEVICE



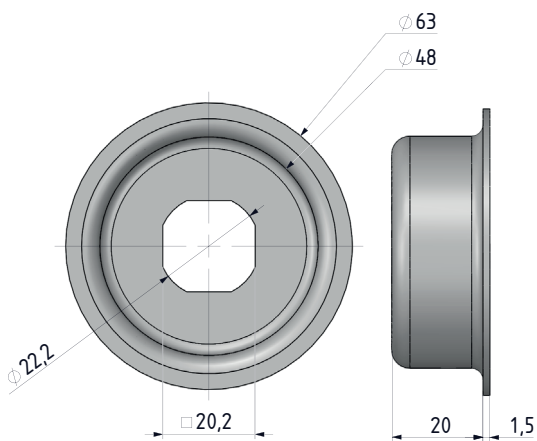
- Fixing device for wooden applications

**MATERIAL**  
Zamak DIN-EN 1774-ZnAl4Cu1

**FINISH**  
Zinc plated

060 A6

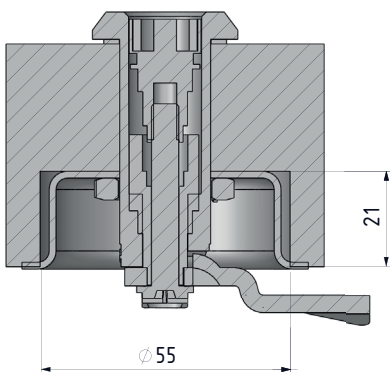
SPACER



- Allows lock to be fitted to thick doors
- Easy fixing for isolated doors

**MATERIAL**  
Steel

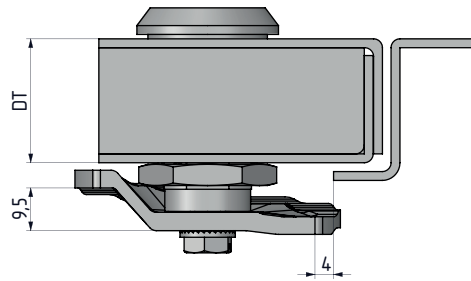
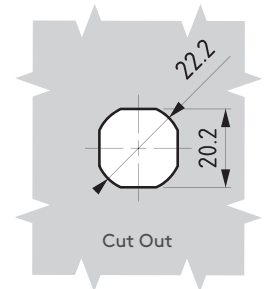
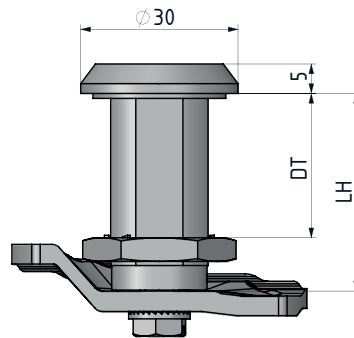
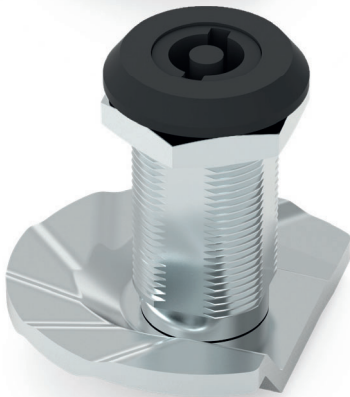
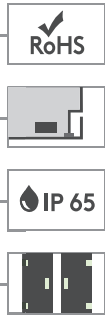
**FINISH**  
Zinc plated



# ▶ QUARTER-TURN LOCKS

## STEPPED COVER LOCK

064



LH	DT
30	20
40	30
50	40
60	50

- For soundproof or isolated doors
- Tight closure achievable with 270° cam rotation and stepped cam
- Lock supplied with standard housing

### MATERIAL

HOUSING: Zamak DIN-EN 1774-ZnAl4Cu1

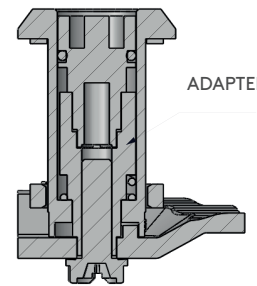
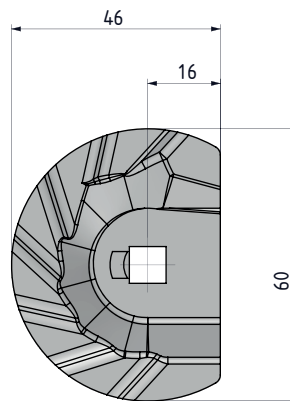
DRIVER: Zamak DIN-EN 1774-ZnAl4Cu1

CAM: Zamak DIN-EN 1774-ZnAl4Cu1

GASKET: Rubber

### FINISH

Chrome or Black coated

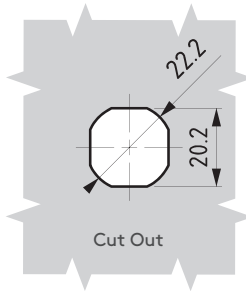
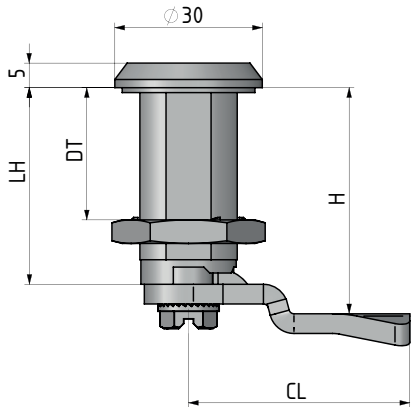


MATERIAL	M	FINISH	F
Zamak	1	Chrome plated	1
		Black coated	2

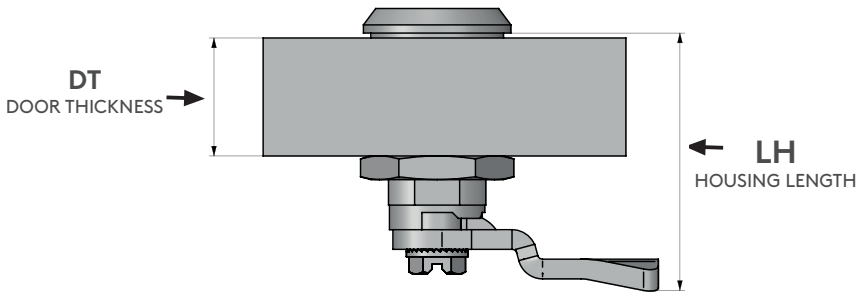
Group Code	Material	Finish	Driver No	Door Thickness	Cam
064	1	F	DD	DT	99

For drivers please check pages: 194

For keys please check pages: 189 - 191



LH	DT
30	20
40	30
50	40
60	50



064

QUARTER TURN –  
SPRING LOADED

- RoHS
- IP 65



- Stainless steel version: page: 457
- For soundproof or isolated doors
- Supplied with standard housing

**MATERIAL**  
 HOUSING: Zamak DIN-EN 1774-ZnAl4Cu1  
 DRIVER: Zamak DIN-EN 1774-ZnAl4Cu1  
 CAM: Steel  
 GASKET: Rubber

**FINISH**  
 Chrome plated or black coated

MATERIAL	M	FINISH	F
Zamak	1	Chrome plated	1
		Black coated	2

Group Code	Material	Finish	Driver No	Door Thickness	Cam
064	1	F	DD	DT	CC

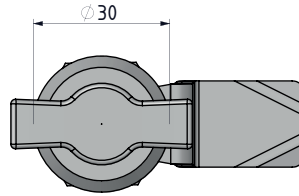
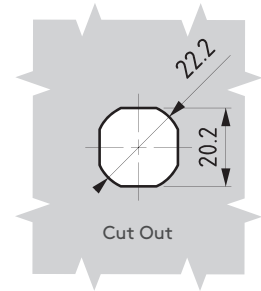
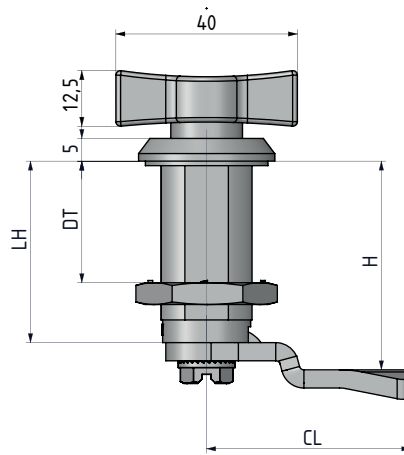
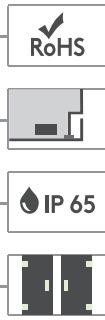
- For cams please check pages: 170 - 171
- For drivers please check page: 194
- For keys please check pages: 189 - 191



# ▶ QUARTER-TURN LOCKS

## QUARTER TURN – WING KNOB

064



LH	DT
30	20
40	30
50	40
60	50

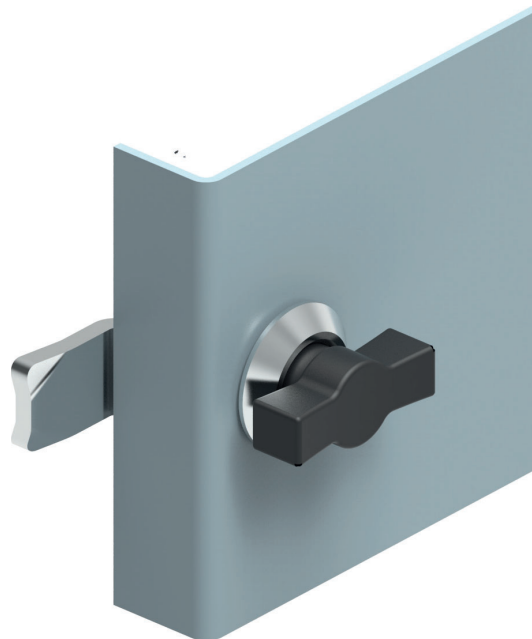
- For soundproof or isolated doors
- Supplied with standard housing

### MATERIAL

HOUSING: Zamak DIN-EN 1774-ZnAl4Cu1  
 DRIVER: Zamak DIN-EN 1774-ZnAl4Cu1  
 CAM: Steel  
 GASKET: Rubber

### FINISH

Chrome or Black coated

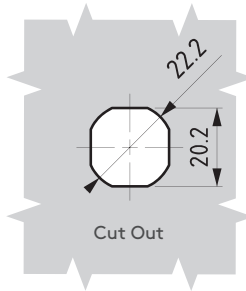
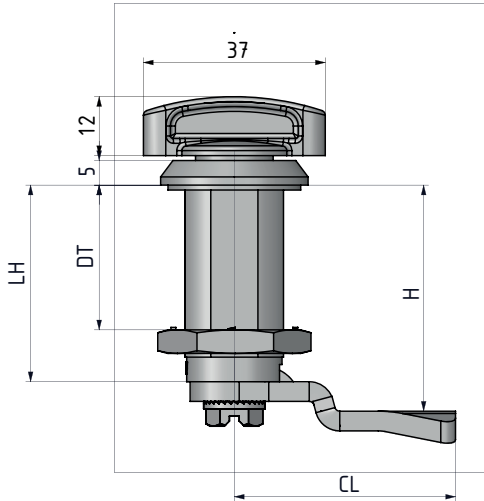


MATERIAL	M	FINISH	F
Zamak	1	Chrome plated	1
		Black coated	2

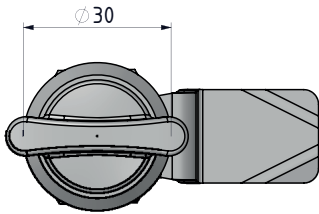
Group Code	Knob	Door Thickness	Material	Finish	Cam
064	062	DT	1	F	CC

For cams please check pages: 170 - 171

For rods please check pages: 178 - 188



LH	DT
30	20
40	30
50	40
60	50



064

QUARTER TURN - WING KNOB



- For sound-proof or isolated doors
- Supplied with standard housing

**MATERIAL**

HOUSING: Zamak DIN-EN 1774-ZnAl4Cu1  
 DRIVER: Zamak DIN-EN 1774-ZnAl4Cu1  
 CAM: Steel  
 GASKET: Rubber

**FINISH**

Chrome plated or black coated

MATERIAL	M	FINISH	F
Zamak	1	Chrome plated	1
		Black coated	2

Group Code	Knob	Door Thickness	Material	Finish	Cam
064	362	DT	1	F	CC

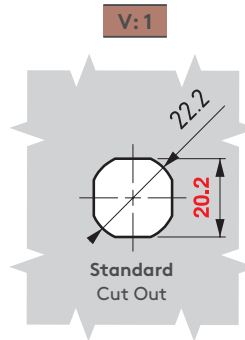
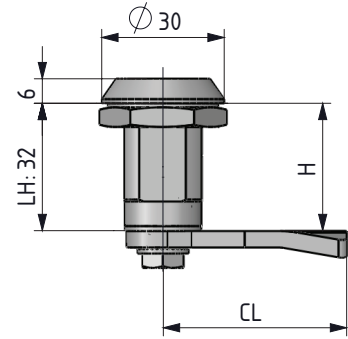
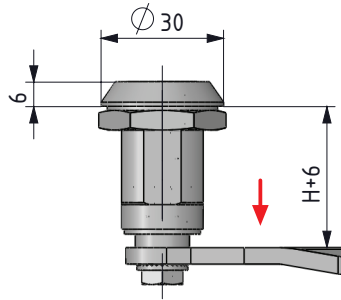
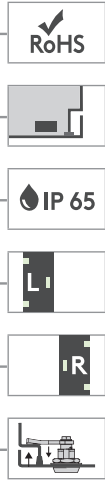
For cams please check pages: 170 - 171

For rods please check pages: 178 - 188

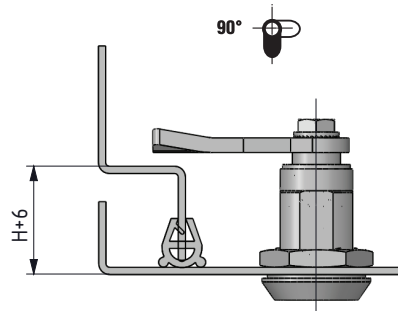
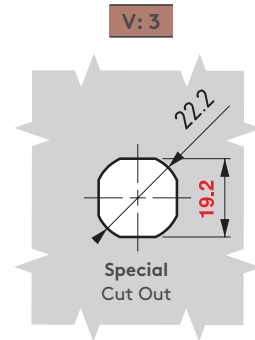
# ▶ QUARTER-TURN LOCKS

## COMPRESSION LOCK

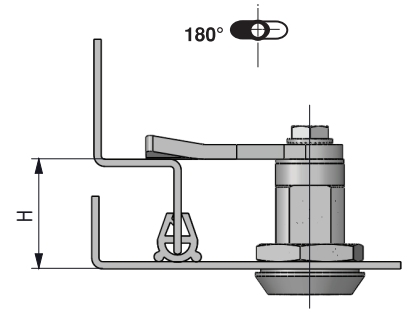
040



Attention



The first 90° of key rotation turns the cam to locking position



Further key rotation 180° applies 6 mm compression

- **Stainless Steel version: page 462**
- Used for cabinets that require better sealing under vibrating conditions
- Provides 6 mm of compression
- Provides noise isolation
- Alternative drivers/cams available
- Standard cams without stopper required for these locks
- The lock has been tested according to the DIN EN 61373 Category 1-B for vibration and shock.
- Working Temperature Range: -50/+80 C
- M22 Nut : should be fixed with 20 Nm
- M10 Nut: should be fixed with 10 Nm
- Threadlocker is applied to the nut threads to get extra fastness against vibration and shock
- Max load capacity: 562 N

### MATERIAL

HOUSING: Zamak DIN-EN 1774-ZnAl4Cu1

DRIVER: Zamak DIN-EN 1774-ZnAl4Cu1

CAM: Steel  
GASKET: Rubber

### FINISH

Chrome plated or black coated

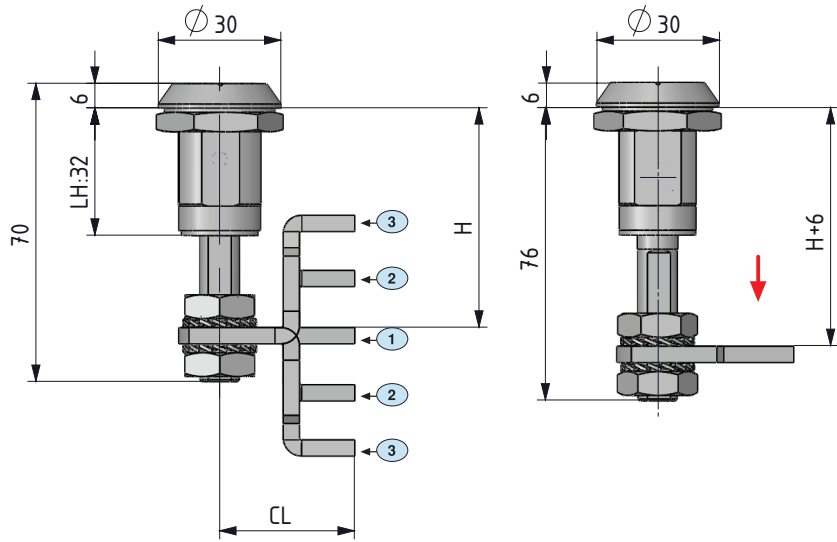
KNOB	DRIVERS					
	3 mm Double bit	5 mm Double bit	Tubular key	8 mm Hexagon	8 mm Hexagon with security pin	
	DD 13	DD 15	DD 93	DD 68	DD 69	
	Railway	8 mm Square	2X4 mm Slot	7 mm Triangular	8 mm Triangular	
DD 94	DD 88	DD 28	DD 42	DD 37	DD 38	

MATERIAL	M	FINISH	F	DOOR DIRECTION	
Zamak	1	Chrome plated	1	Right hand	001
		Black coated	2	Left hand	002

Group Code	Version	Material	Finish	Driver	Cam	Door Direction
040	V	1	F	DD	CC	

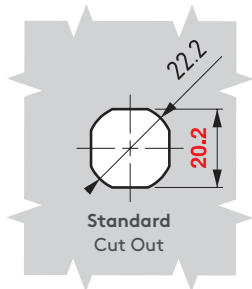
For cams please check pages: 172 - 173

For keys please check pages: 189 - 191

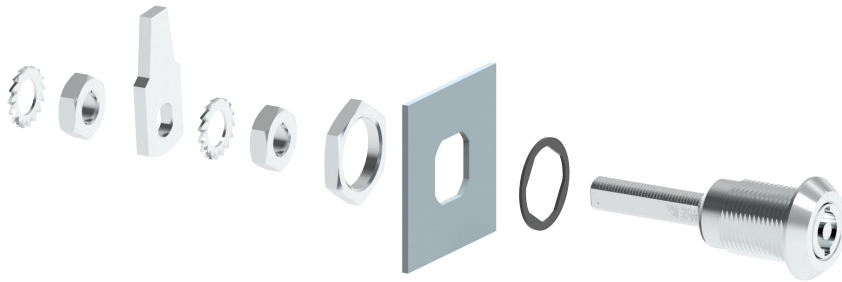
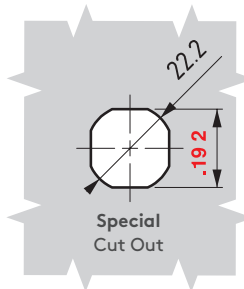


V: 2

V: 4



Attention



CAM	STOCK CODE	CC	CH	CL	POSITION	H GRIP MIN	H GRIP MAX
1	30403565Y	01	0	33	Düz	41	58
2	30403566Y	02	14	33	Yukarı	27	44
					Aşağı	55	72
3	30403567Y	03	27,5	33	Yukarı	13,5	30,5
					Aşağı	68	85

MATERIAL	M	FINISH	F	DOOR DIRECTION
Zamak	1	Chrome plated	1	Right hand 001
		Black coated	2	Left hand 002

Group Code	Version	Material	Finish	Driver	Cam	Door Direction
040	V	1	F	DD	CC	

040

COMPRESSION LOCK

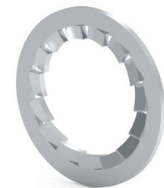


- Used for cabinets that require better sealing under vibrating conditions
- Provides 6 mm of compression
- Wide grip range with adjustable screw
- Provides noise isolation.
- Different drivers/cams available
- Three cam alternatives available
- The lock has been tested according to the DIN EN 61373 Category 1-B for vibration and shock.
- Working Temperature Range: -50/+80 C
- M22 Nut : should be fixed with 20 Nm
- M10 Nut: should be fixed with 10 Nm
- Threadlocker is applied to the nut threads to get extra fastness against vibration and shock
- Max load capacity: 562 N

MATERIAL

HOUSING: Zamak DIN-EN 1774-ZnAl4Cu1  
 DRIVER: Zamak DIN-EN 1774-ZnAl4Cu1  
 CAM: Steel  
 GASKET: Rubber

FIXING DEVICE

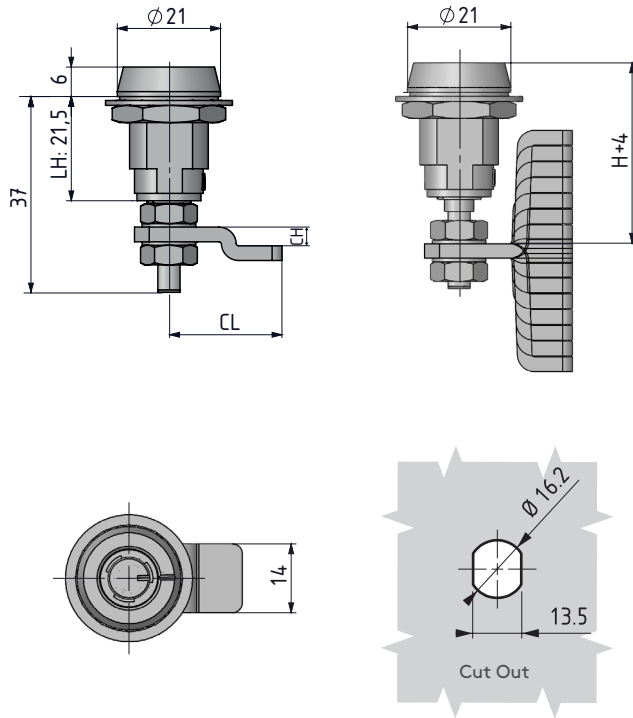


- Can be ordered separately  
**ORDER CODE: 32005018Y**

# ▶ QUARTER-TURN LOCKS

## MINI COMPRESSION LOCK

140



- **Stainless steel version: page 460**
- Used for cabinets that require better sealing under vibrating conditions
- 4 mm compression ratio
- Provides noise isolation
- Driver and cam alternatives available

### MATERIAL

HOUSING : Zamak DIN-EN 1774-ZnAl4Cu1  
 DRIVER: Zamak DIN-EN 1774-ZnAl4Cu1  
 CAM: Steel

### FINISH

Chrome plated or black coated

## DUST CAP

140 A1



(Order separately)

MATERIAL Polyurethane

CAM	STOCK CODE	CC	CH	CL	H GRIP	
					MIN	MAX
1	30403606Y	01	0	23	26.2	29.4
2	30403607Y	02	1	23	25.2	28.4
3	30403608Y	03	3.8	23	22.4	25.6
4	30403609Y	04	7	23	19.2	22.4
5	30403610Y	05	10.2	23	16	19.2
6	30403611Y	06	13.4	23	12.8	16
7	30403612Y	07	16.6	23	9.6	12.8
8	30403613Y	08	19.8	23	6.4	9.6
9	30403614Y	09	23	23	3.2	6.4

KNOB	
DD	
94	

DRIVERS	
Tubular key	
DD	
93	
4 mm Hexagon	
DD	
64	
Slot	
DD	
45	

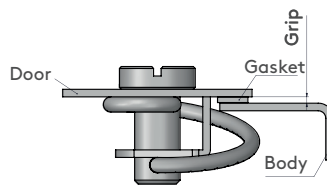
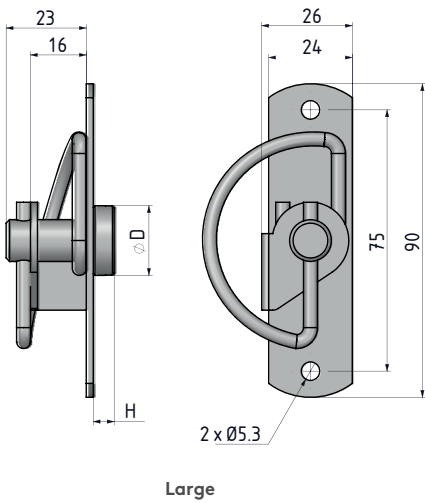
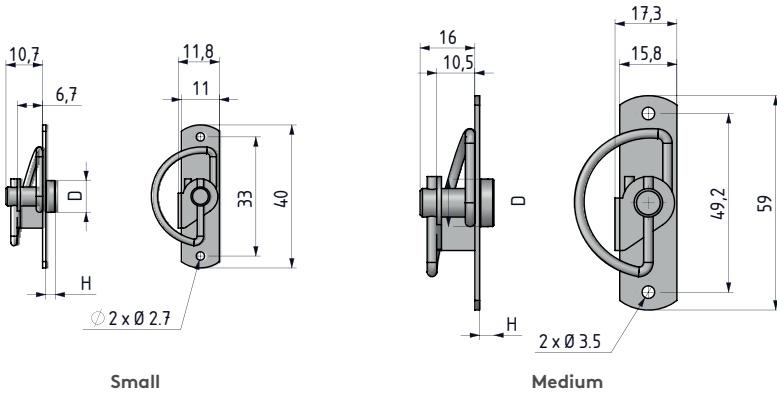
MATERIAL	M	FINISH	F
Zamak	1	Chrome plated	1
		Black coated	2

Group Code	Material	Finish	Driver	Cam
140	1	F	DD	CC



045

COMPRESSION - SPRING LATCH



- Stainless Steel version: page 469
- Fix small panels to frame with ease
- Quarter-turn locking
- Easy assembly
- For doors with a bend of 24 mm

**MATERIAL**

BODY: Steel  
 DRIVER: Steel  
 SPRING: Stainless steel

DRIVERS				
V	DD	Driver name	DØ	H
1	12	Slot - Small	10	3
	13	Knurled - Small	10.5	12
2	21	Hexagon Female 4 mm	12	3.5
	22	Slot - Medium	12	3.5
	23	Knurled - Small	13	17.5
3	31	Hexagon Female 8 mm	20	6
	32	Slot - Large	20	5



CAMS		
CC	Cam name	VERSION
41	Smooth Spring - Small	1
42	Smooth Spring - Medium	2
52	Serrated Spring - Medium	2
43	Smooth Spring - Large	3
53	Serrated Spring - Large	3

VERSIONS	
V	Product
1	Small Spring Latch
2	Medium Spring Latch
3	Large Spring Latch

MATERIAL	M	FINISH	F
Steel	6	Zinc Plated	3

Group Code	Version	Material	Finish	Driver	Cam
045	V	6	3	DD	CC

# ▶ QUARTER-TURN LOCKS

## MINI QUARTER TURN – EASY FIXING

366



- Easy assembly by clips
- Specially designed internal spring provides 1 mm torsion

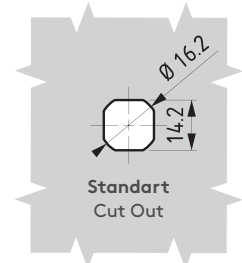
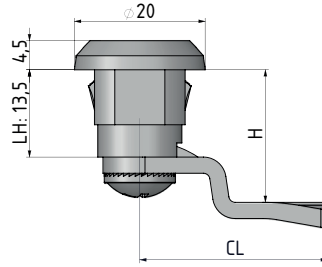
### MATERIAL

HOUSING: PA6 GFR 30  
 DRIVER: Zamak DIN-EN 1774-ZnAl4Cu1 or PA6 GFR 30  
 CAM: Steel

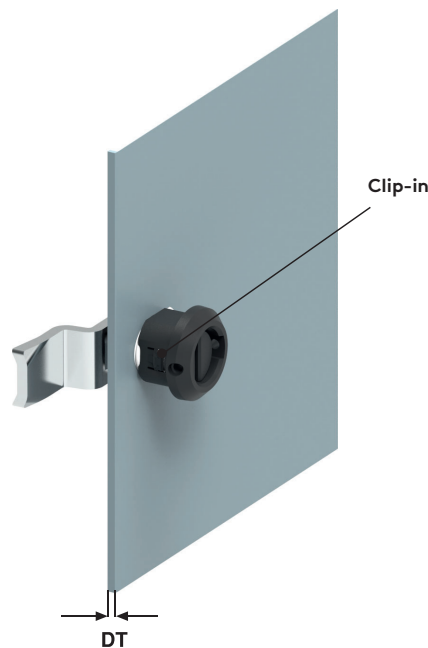


Application Keys  
 Code: 267

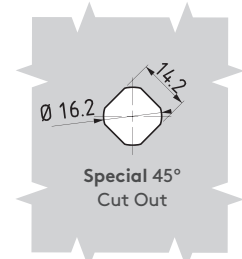
DRIVERS			
6 mm Square		M	F
DD		1	1
		1	2
26		2	0
7 mm Triangular		M	F
DD		1	1
		1	2
37		2	0
Slot		M	F
DD		1	1
		1	2
42		2	0



V: 1



DT  
 Door Thickness:  
 0.8 mm - 1.2 mm

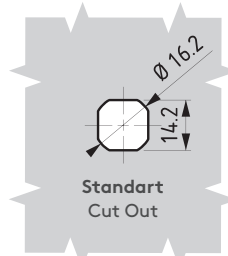
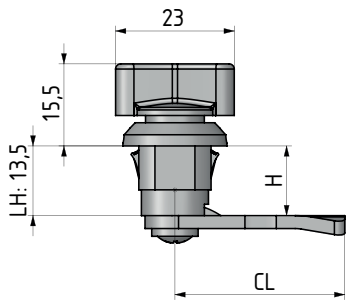


V: 2

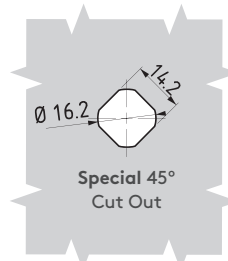
MATERIAL	M	FINISH	F
Zamak	1	Chrome plated	1
		Black coated	2
Plastic	2	No finish	0

Group Code	Version	Housing	Driver	Driver No	Cam
366	V	2	0	M F	DD CC

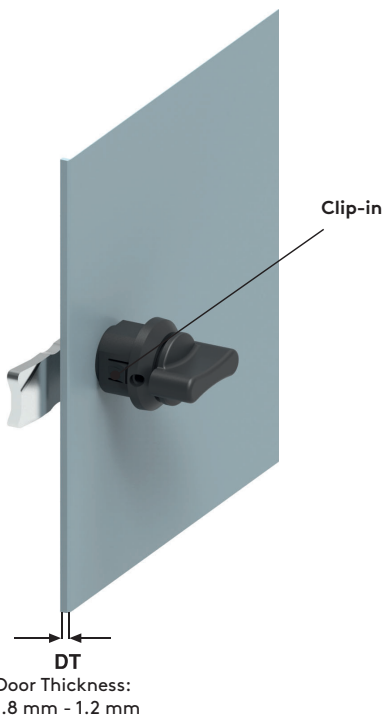
For cams please check pages: 175 (Cam-3)



V: 1



V: 2



566

MINI QUARTER TURN – EASY FIXING



- Easy assembly by clips
- Specially designed internal spring provides 1 mm torsion

MATERIAL

HOUSING: PA6 GFR 30  
 KNOB: Zamak DIN-EN 1774-ZnAl4Cu1 or PA6 GFR 30  
 CAM: Steel

MATERIAL	M	FINISH	F
Zamak	1	Chrome plated	1
		Black coated	2
Plastic	2	No finish	0

Group Code	Version	Housing	Knob	Cam
566	V	2	0	M F CC

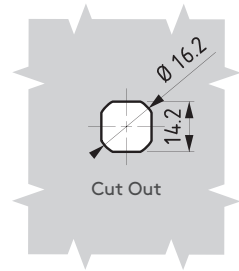
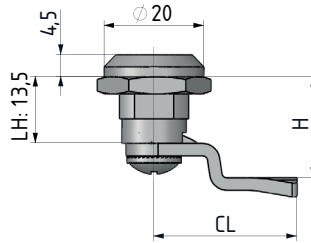
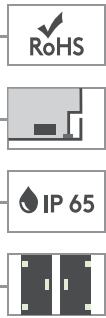
For cams please check pages: 175 (Cam-3)



# ▶ QUARTER-TURN LOCKS

## MINI QUARTER TURN – SPRING LOADED

066



DRIVERS			
6 mm Square		M	F
DD		1	1
		1	2
		2	0
7 mm Triangular		M	F
DD		1	1
		1	2
		2	0
Slot		M	F
DD		1	1
		1	2
		2	0

- Stainless steel version: page 456
- Specially designed internal spring provides 1 mm torsion
- Sealing washer not supplied

### MATERIAL

HOUSING: Zamak DIN-EN 1774-ZnAl4Cu1 or PA6 GFR 30  
 DRIVER: Zamak DIN-EN 1774-ZnAl4Cu1 or PA6 GFR 30  
 CAM: Steel



Application Keys  
Code: 267

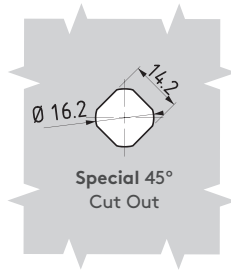
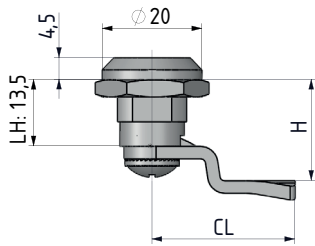
MATERIAL	M	FINISH	F
Zamak	1	Chrome plated	1
		Black coated	2
Plastic	2	No finish	0

Group Code	Housing	Driver	Driver	Cam	IP 65		
066	M	F	M	F	DD	CC	*

\*: add "1" for IP 65

For cams please check pages: 175 (Cam-3)

For keys please check page: 191



DRIVERS			
6 mm Square		M	F
DD		1	1
26		1	2
		2	0
7 mm Triangular		M	F
DD		1	1
		1	2
37		2	0
Slot		M	F
DD		1	1
		1	2
42		2	0

266

MINI QUARTER TURN –  
SPRING LOADED



- Stainless steel version: page 456
- Specially designed internal spring provides 1 mm torsion
- Sealing washer not supplied

**MATERIAL**

HOUSING: Zamak DIN-EN 1774-ZnAl4Cu1 or PA6 GFR 30  
 DRIVER: Zamak DIN-EN 1774-ZnAl4Cu1 or PA6 GFR 30  
 CAM: Steel

MATERIAL	M	FINISH	F
Zamak	1	Chrome plated	1
		Black coated	2
Plastic	2	No finish	0

Group Code	Housing	Driver	Driver	Cam	IP 65		
266	M	F	M	F	DD	CC	*

\*: add "1" for IP 65



Application Keys  
Code: 267

For cams please check pages: 175 (Cam-3)

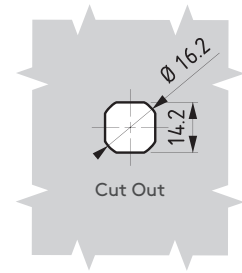
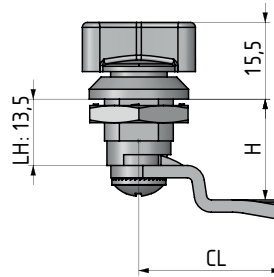
For keys please check page:191

# ▶ QUARTER-TURN LOCKS

## MINI QUARTER TURN – WING KNOB

166

RoHS



- Wing operates lock and serves as knob
- Sealing washer not supplied

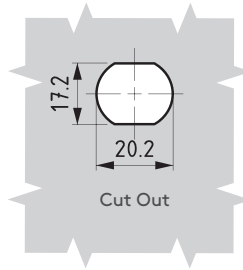
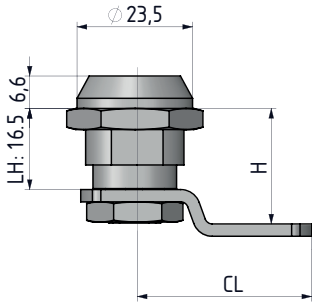
### MATERIAL

HOUSING: Zamak DIN-EN 1774-ZnAl4Cu1 or PA6 GFR 30  
 KNOB: Zamak DIN-EN 1774-ZnAl4Cu1 or PA6 GFR 30  
 CAM: Steel

MATERIAL	M	FINISH	F
Zamak	1	Chrome plated	1
		Black coated	2
Plastic	2	No finish	0

Group Code	Housing	Knob	Cam
166	M	F	CC

For cams please check pages: 175 (Cam-3)



DRIVERS	
Slot	
DD	
83	
9 mm Triangular	
DD	
39	
6 mm hexagon	
DD	
66	

050

CAM LOCK - BALL



- Special index action to assist locking and keep cam in position
- Stable in open position

**MATERIAL**  
**HOUSING:** Zamak DIN-EN 1774-ZnAl4Cu1  
**CAM:** Steel

**FINISH**  
 Chrome plated

Application keys:



267-39



669-66

MATERIAL	M	FINISH	F
Zamak	1	Chrome plated	1
		Black coated	2

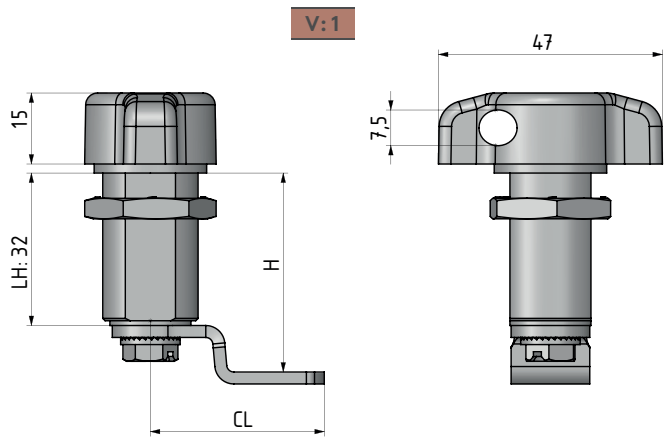
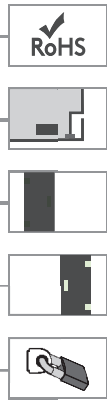
Group Code	Material	Finish	Driver	Cam
050	1	F	DD	CC

For cams please check pages: 175 (Cam-2)

# ▶ QUARTER-TURN LOCKS

PADLOCKABLE – KNOB

055



- Padlockable version
- Padlock shackle diameter  
Minimum 4 mm – Maximum 6 mm

**MATERIAL**

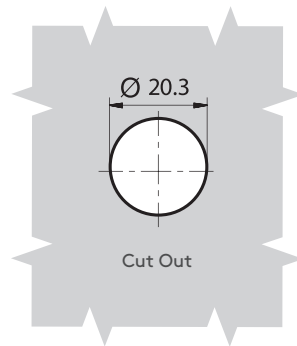
HOUSING: Zamak DIN-EN 1774-ZnAl4Cu1  
 KNOB: Zamak DIN-EN 1774-ZnAl4Cu1  
 CAM: Steel

**FINISH**

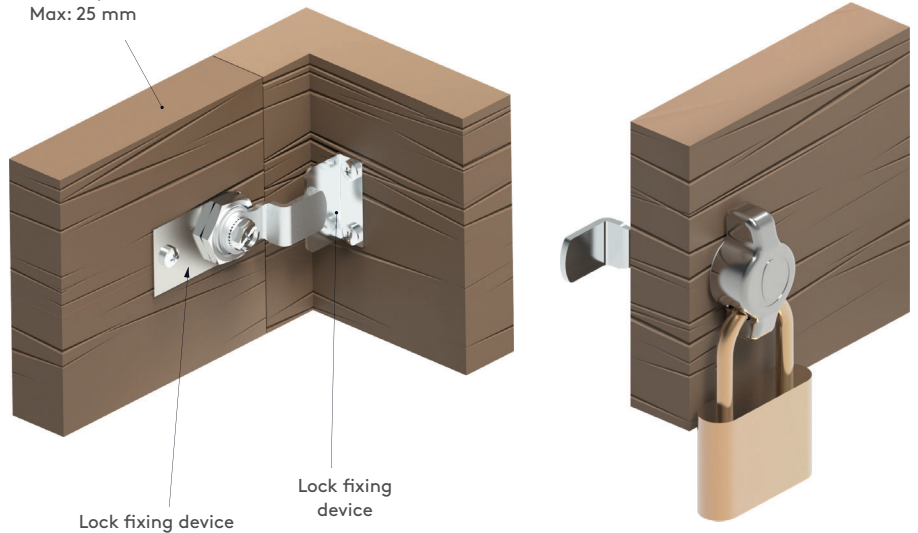
Nickel Plated

⚠ **Note:** Not suitable to use with long-shackle padlocks.

⚠ **Note:** For ball application please contact Essentra Components



Wooden panel  
Max: 25 mm



Group Code	Version	Cam	Door Direction
055	1	CC	

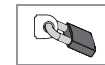
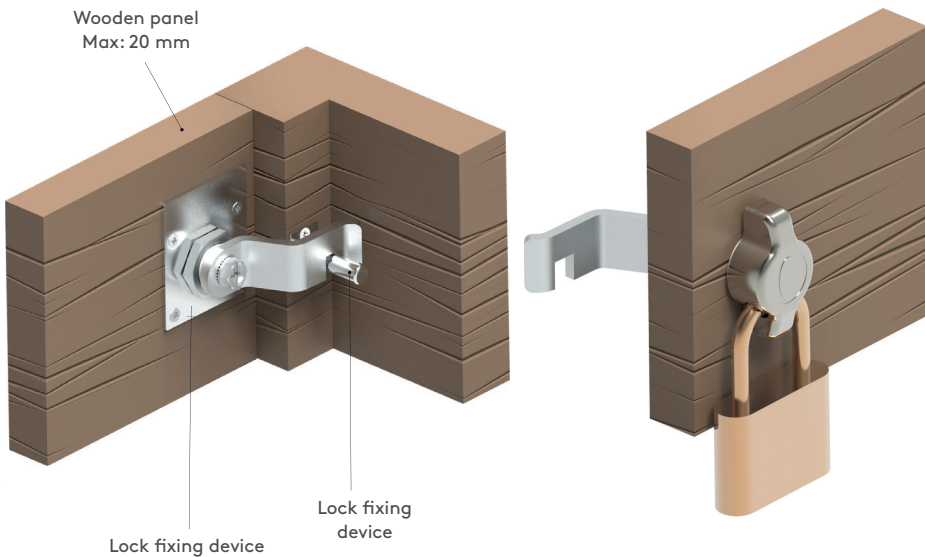
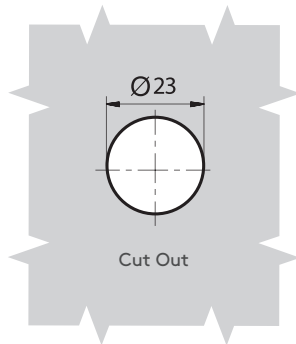
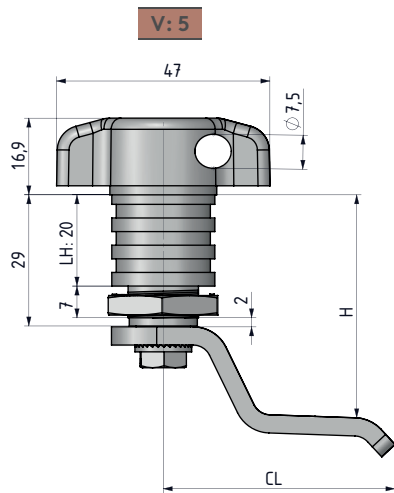
DOOR DIRECTION	
Right hand	001
Left hand	002

For cams please check pages: 175 (Cam-1)



055

PADLOCKABLE – KNOB



- Padlockable version
- Padlock shackle diameter Minimum 4 mm – Maximum 6 mm

**MATERIAL**

HOUSING: Zamak DIN-EN 1774-ZnAl4Cu1

KNOB: Zamak DIN-EN 1774-ZnAl4Cu1

CAM: Steel

**FINISH**

Nickel Plated

**⚠ Note:** Not suitable to use with long-shackle padlocks.

**⚠ Note:** For different cams please contact Essentra Components

Group Code	Version	Cam	Door Direction
055	5	CC	

DOOR DIRECTION	
Right hand	001
Left hand	002

For cams please check pages: 175

# ▶ QUARTER-TURN LOCKS

PADLOCKABLE – KNOB

055



- Easy assembly by clip
- Can be used for panel thickness 0.8 to 1.2 mm
- Padlockable version
- Padlock shackle diameter Minimum 4 mm – Maximum 6 mm

**MATERIAL**

HOUSING: Zamak DIN-EN 1774-ZnAl4Cu1  
 KNOB: Zamak DIN-EN 1774-ZnAl4Cu1  
 CAM: Steel

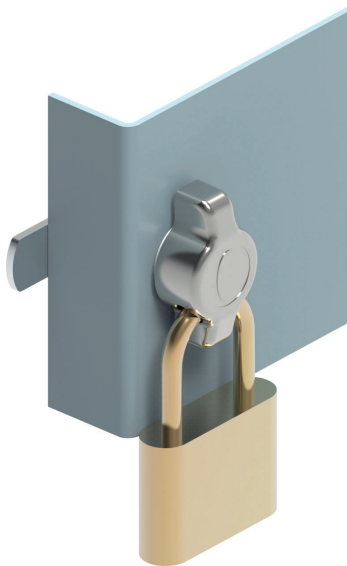
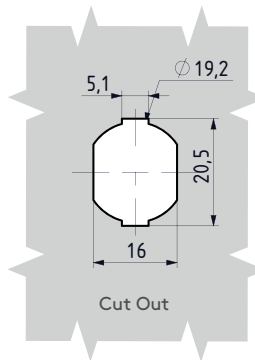
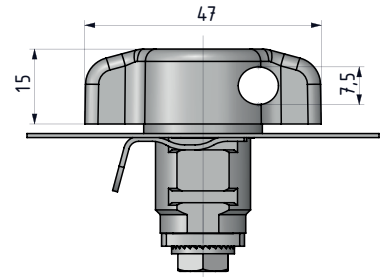
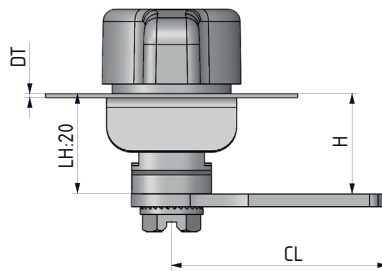
**FINISH**

Nickel Plated

⚠ **Note:** Not suitable to use with long-shackle padlocks.

⚠ **Note:** For ball application please contact Essentra Components

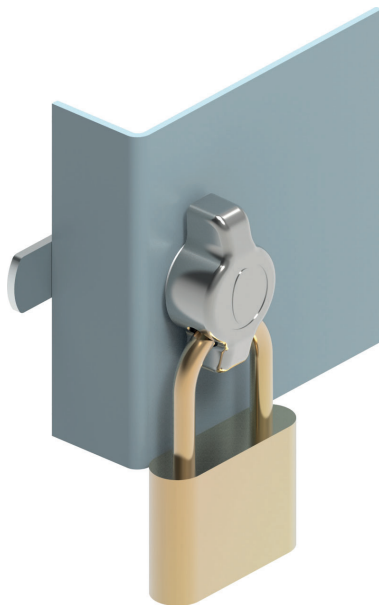
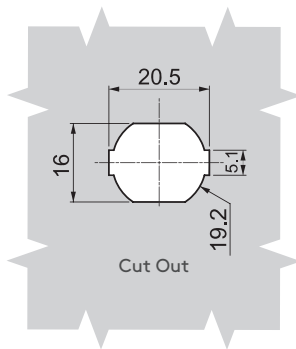
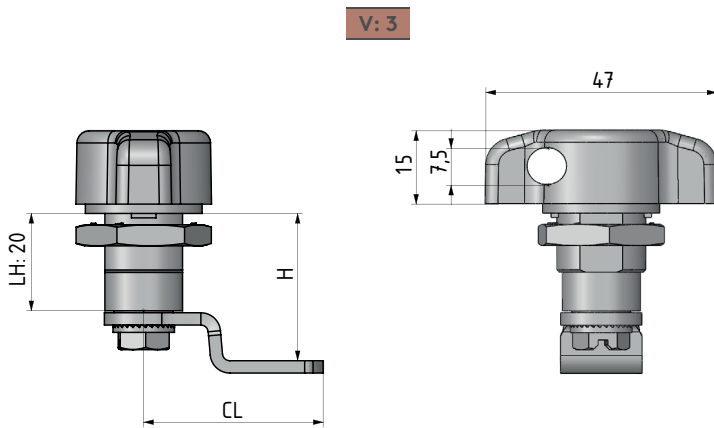
V: 4



Group Code	Version	Cam	Door Direction
055	4	CC	

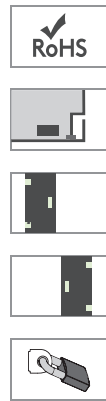
DOOR DIRECTION	
Right hand	001
Left hand	002

For cams please check pages: 175 (Cam-1)



055

PADLOCKABLE – KNOB



- Padlockable version
- Padlock shackle diameter  
Minimum 4 mm – Maximum 6 mm

**MATERIAL**

HOUSING: Zamak DIN-EN 1774-ZnAl4Cu1  
 KNOB: Zamak DIN-EN 1774-ZnAl4Cu1  
 CAM: Steel

**FINISH**

Nickel Plated

**⚠ Note:** Not suitable to use with long-shackle padlocks.

**⚠ Note:** For ball application please contact Essentra Components

Group Code	Version	Cam	Door Direction
055	3	CC	

DOOR DIRECTION	
Right hand	001
Left hand	002

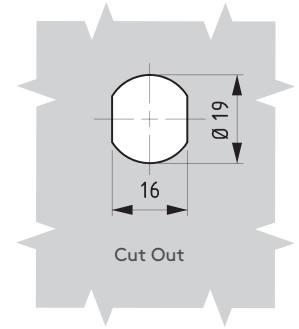
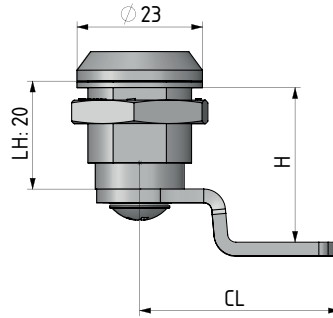
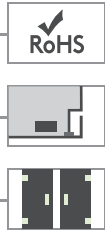
For cams please check pages: 175 (Cam-1)



# ▶ QUARTER-TURN LOCKS

## QUARTER TURN – SPRING LOADED

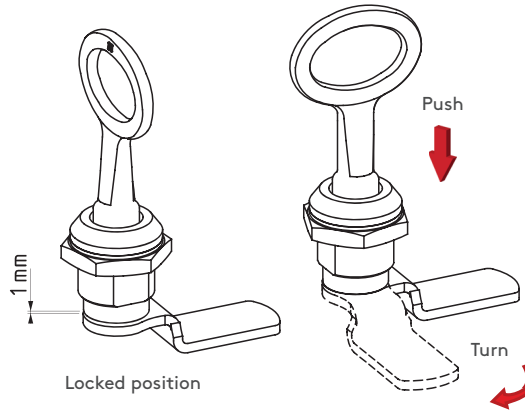
350



- Vibration proof quarter turn
- Opening the lock only possible by pushing and rotating the driver by the key
- Nickel plating is an option

### MATERIAL

HOUSING: Zamak DIN-EN 1774-ZnAl4Cu1  
 DRIVER: Zamak DIN-EN 1774-ZnAl4Cu1  
 NUT: Zamak DIN-EN 1774-ZnAl4Cu1  
 CAM: Steel

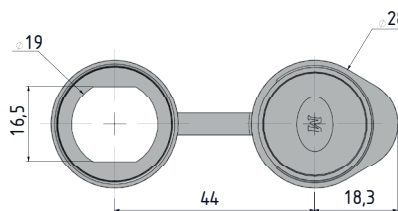


### DRIVERS

		M	F
3 mm Double Bit			
DD		1	1
		1	2
13		1	4
7 mm Triangular			
		1	1
DD		1	1
		1	2
37		1	4
7 mm Square			
		1	1
DD		1	1
		1	2
27		1	4
Slot			
		1	1
DD		1	1
		1	2
42		1	4

## DUST CAP

050 A4



MATERIAL	M	FINISH	F
Zamak	1	Chrome plated	1
		Black coated	2
		Nikel kaplama	4

Group Code	Material	Finish	Driver No	Cam
350	1	F	DD	CC

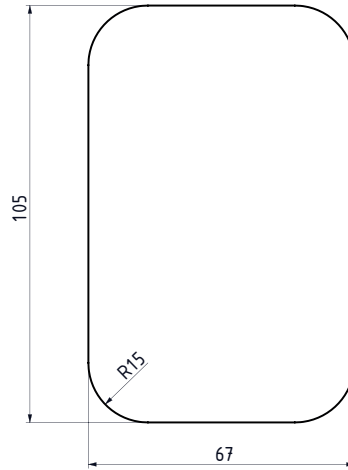
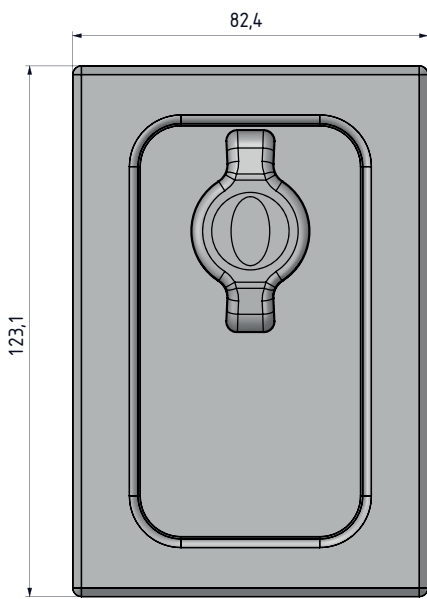
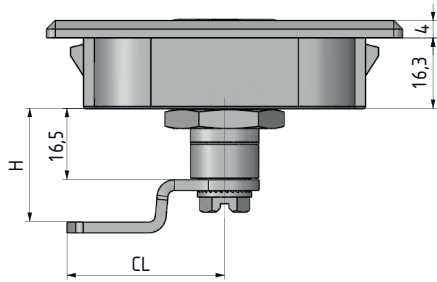
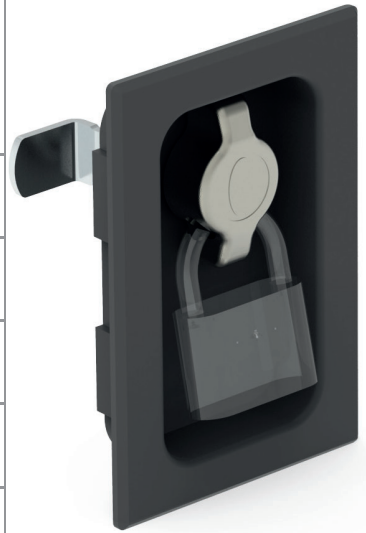
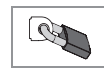
For cams please check pages: 175 (Cam-1)

For keys please check page: 191



055

CABINET LOCK



Cut Out

**MATERIAL**

BODY: PA6 GFR 30  
 KNOB: Zamak DIN-EN 1774-ZnAl4Cu1 or PA6 GFR 30  
 CAM: Steel

**FINISH**

Body: Nickel Plated

Group Code	Version	Cam	Door Direction
055	6	CC	

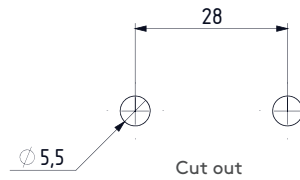
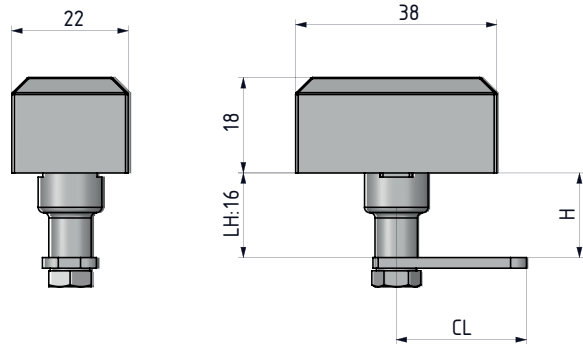
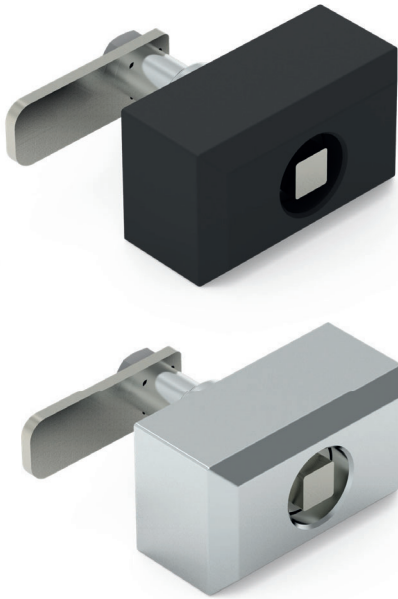
DOOR DIRECTION	
Right hand	001
Left hand	002

For cams please check pages: 175 (Cam-1)

# ▶ QUARTER-TURN LOCKS

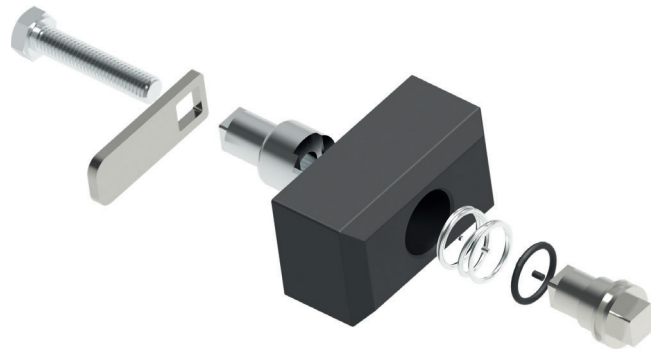
QUARTER-TURN LOCK

666



**MATERIAL**

BODY: Zamak DIN-EN 1774-ZnAl4Cu1  
 DRIVER: Stainless Steel  
 CAM: Stainless Steel  
**FINISH**  
 Chrome plated or Black coated



MATERIAL	M	FINISH	F
Zamak	1	Chrome plated	1
		Black coated	2
Stainless Steel	4	No finish	0

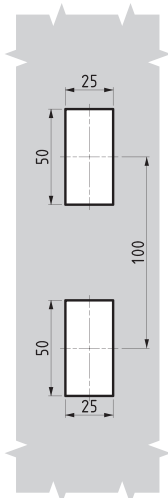
Group Code	Housing	Driver	Driver No	Cam
666	1	F	4 0	DD CC

For cams please check pages: 458

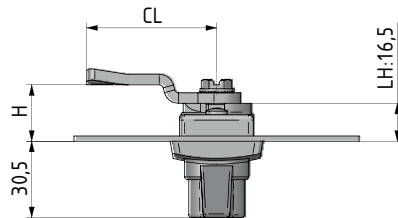
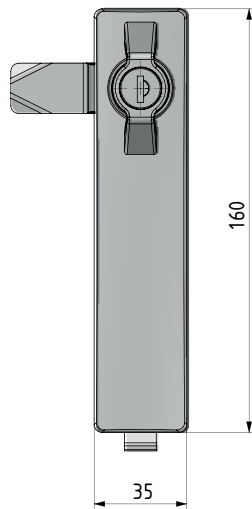
For drivers please check pages: 194



V: 6



Cut Out




203

QUARTER TURN – WING KNOB



MATERIAL

BODY: PA6 GFR 30  
 KNOB: Zamak DIN-EN 1774-ZnAl4Cu1 or PA6 GFR 30  
 CAM: Steel  
 GASKET: Polyurethane

CYLINDER	SPECIFICATIONS	DD
	No cylinder	00
	Keyed alike	01
	Keyed differ	02
	Euro key (5333)	05
	CH751 (Stainless steel dust cap)	07

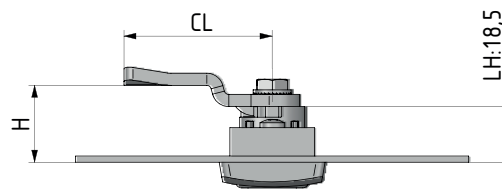
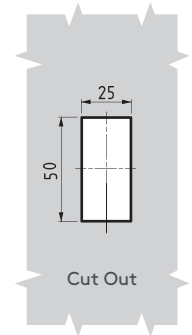
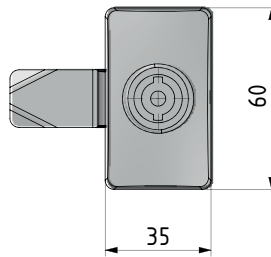
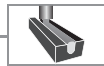
Group Code	Version	Cylinder	Cam
203	6	DD	CC

For cams please check pages: 170 - 171

# ▶ QUARTER-TURN LOCKS

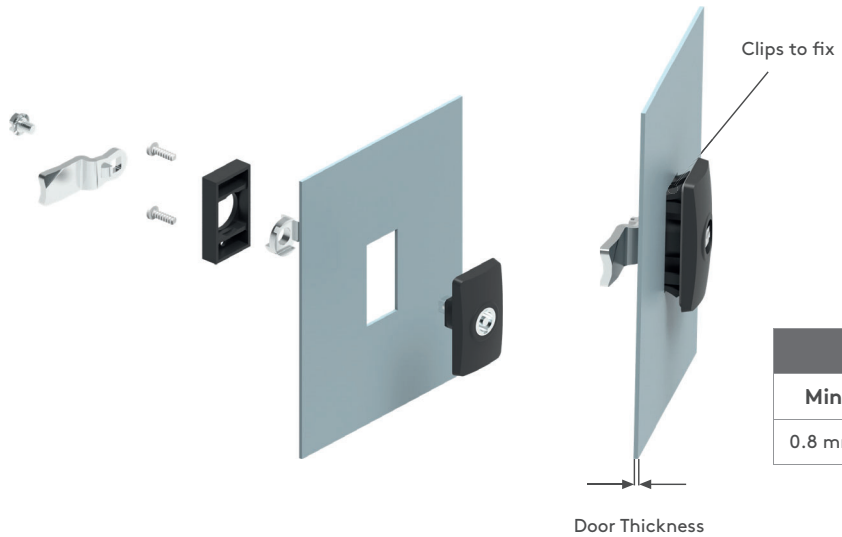
## QUARTER-TURN LOCK

103



### MATERIAL

BODY: PA6 GFR 30  
 DRIVER: Zamak DIN-EN 1774-ZnAl4Cu1 or PA6 GFR 30  
 CAM: Steel  
 GASKET: Polyurethane



DT	
Min	Max
0.8 mm	1.8 mm

V: 1

With cover fix

V: 6

Clips to fix

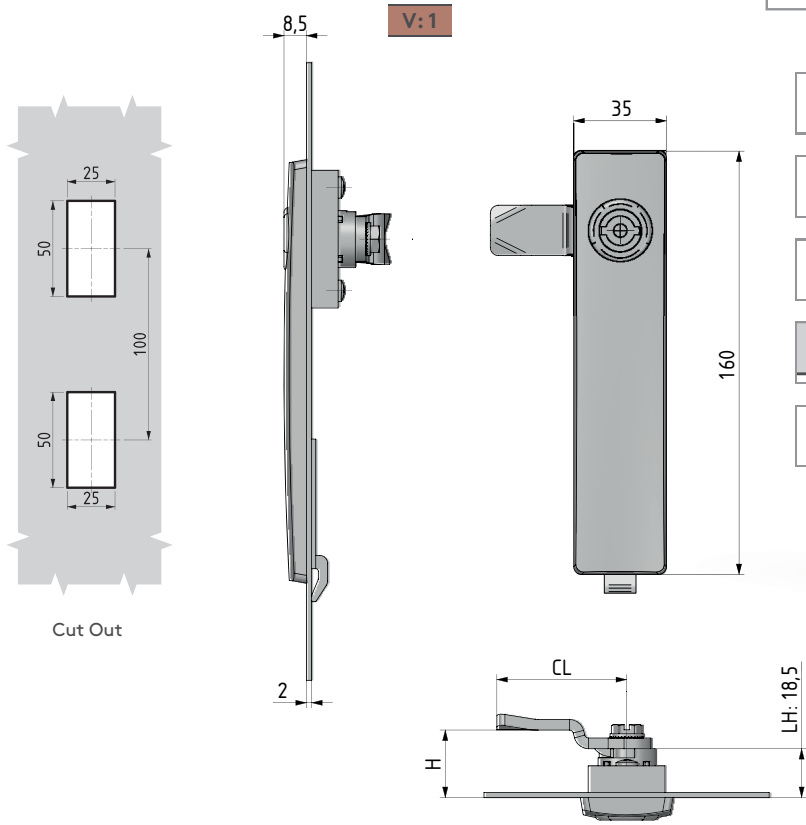
MATERIAL	M	FINISH	F
Zamak	1	Chrome plated	1
		Black coated	2

Group Code	Version	Driver	Driver No	Cam
103	V	M	F	DD


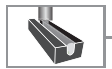



For cams please check pages: 170 - 171

For drivers please check page: 194

For keys please check pages: 189 - 191

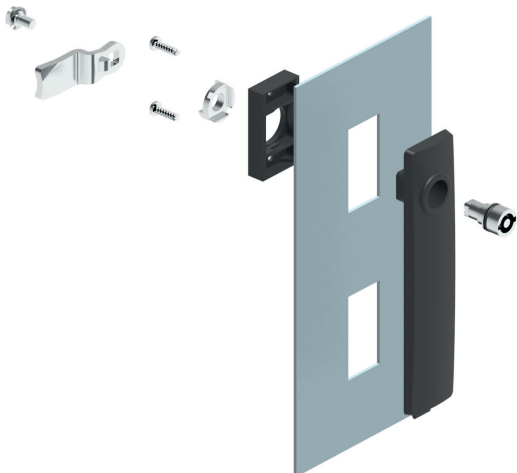


**203** QUARTER-TURN LOCK

-  IP 54
- 
-  RoHS
- 
- 






**MATERIAL**  
 BODY: PA6 GFR 30  
 DRIVER: Zamak DIN-EN 1774-ZnAl4Cu1 or PA6 GFR 30  
 CAM: Steel  
 GASKET: Polyurethane



MATERIAL	M	FINISH	F
Zamak	1	Chrome plated	1
		Black coated	2

Group Code	Version	Driver	Driver No	Cam
<b>203</b>	<b>1</b>	<b>M</b>	<b>F</b>	<b>DD</b>

 For cams please check pages: 170 - 171  
 For drivers please check page: 194  
 For keys please check pages: 189 - 191



248



249



NEW

250



251



252



253



254



255



256



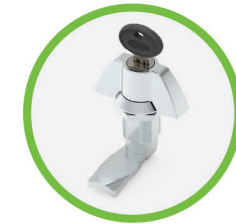
257



258



259



260



261



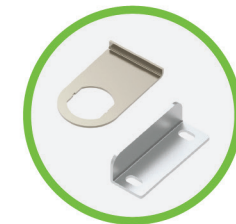
262



263



264



264



NEW

265



266



267



268



269



270



271



## CAM LOCKS

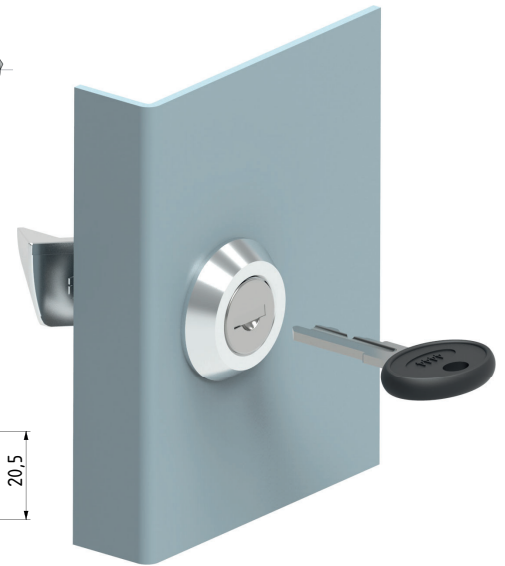
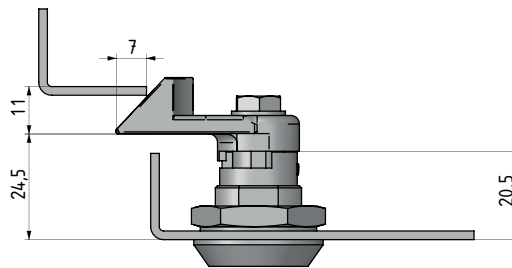
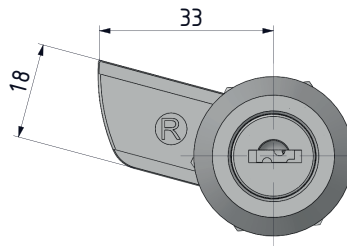
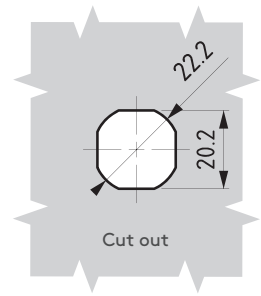
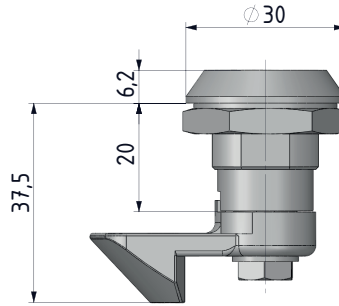
246-271





**SPRING CAM LOCK**

**163**



- Spring-loaded cam provides depress-to-lock action
- Distance between inside of lock face and front of cam fixed at 24 mm
- There is no IP 65 version of this lock, due to spring loaded cam

**APPLICATIONS**

Electric panels, machinery covers

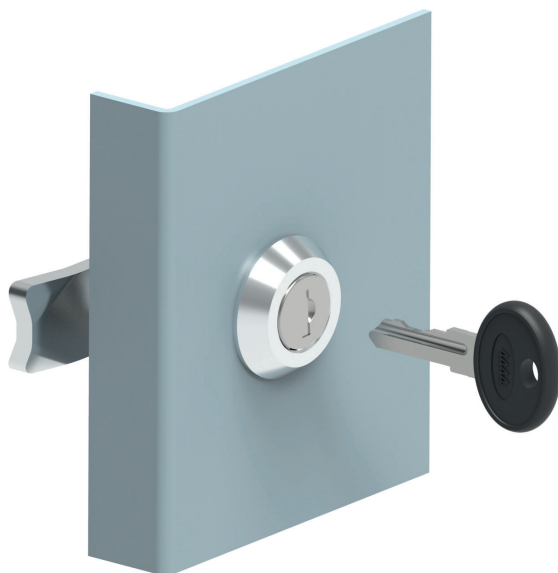
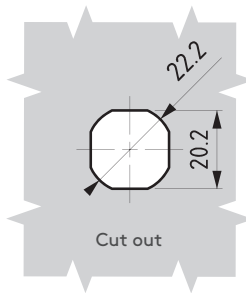
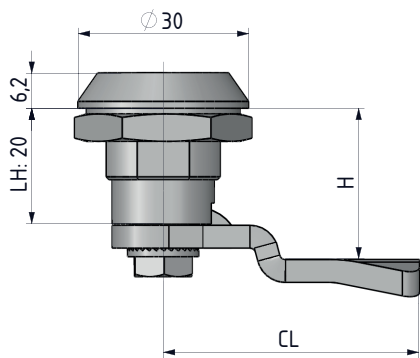
**MATERIAL**

HOUSING: Zamak DIN-EN 1774-ZnAl4Cu1  
 CYLINDER: Zamak DIN-EN 1774-ZnAl4Cu11  
 CAM: Steel  
 GASKET: Rubber

MATERIAL	M	FINISH	F	DOOR DIRECTION
Zamak	1	Chrome plated	1	Right hand 001
		Black coated	2	Left hand 002

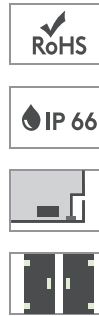
	CYLINDER		DD
	Keyed alike (Stainless steel dust cap)		03
	Keyed differ (Stainless steel dust cap)		32
	Master System		04
	Euro key (5333)		05
	CH751 (Stainless steel dust cap)		07

Group Code	Material	Finish	Cylinder	Door Direction
<b>163</b>	<b>1</b>	<b>F</b>	<b>DD</b>	



063


CAM LOCK




- Stainless steel version: page 476
- Quarter-turn operation
- Body length 20.5 mm (Please be sure to order appropriate cam)
- Available in all die-cast zinc alloy or with polyamide housing

**MATERIAL**  
**HOUSING:** Zamak DIN-EN 1774-ZnAl4Cu1 or PA6 GFR 30  
**CAM:** Steel or Plastic  
**GASKET:** Rubber

MATERIAL	M	FINISH	F
Zamak	1	Chrome plated	1
		Black coated	2
Plastic	2	No finish	0

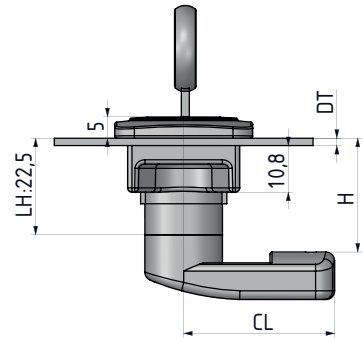
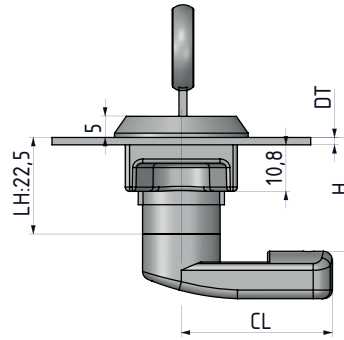
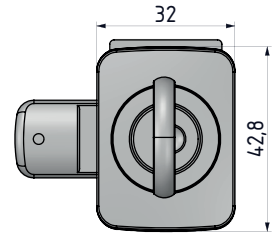
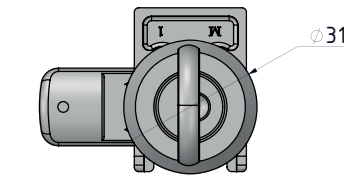
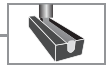
	CYLINDER	DD
	Keyed alike (Stainless steel dust cap)	03
	Keyed differ (Stainless steel dust cap)	32
	Master System	04
	Euro key (5333)	05
	CH751 (Stainless steel dust cap)	07

Group Code	Material	Finish	Cylinder	Cam
063	M	F	DD	CC

 For cams please check pages: 170 - 171

**CAM LOCK – EASY FIXING**

**761**



- Easy assembly by plastic clips
- Applicable on different panel thicknesses
- Standard cut out

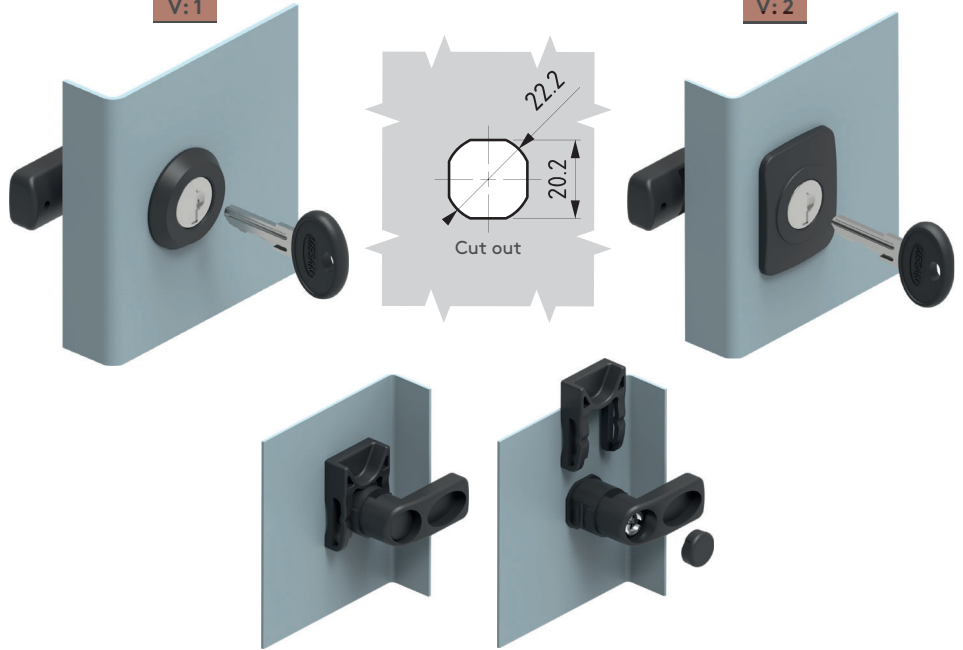
**MATERIAL**

HOUSING: Polyamide DIN-EN ISO 1043-1 PA6 GFR 30

CAM: Plastic or steel

**V:1**

**V:2**



320.02.221  
BOLT COVER (For grounding)

- Can order separately (only for plastic cams)

DOOR THICKNESS	DT
1.2 -1.8 mm panel	12
1.8 -2.3 mm panel	23

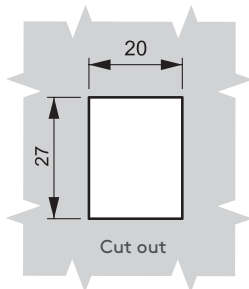
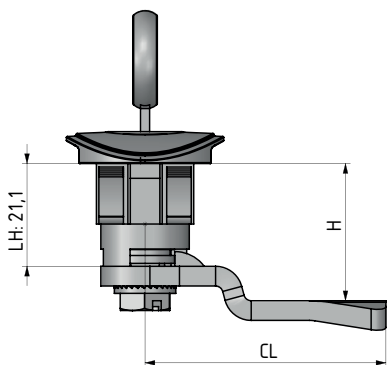
CYLINDER	DD
	Keyed alike (Stainless steel dust cap)
Keyed differ (Stainless steel dust cap)	32
Master System	04
Euro key (5333)	05
CH751 (Stainless steel dust cap)	07

Group Code	Version	Housing	Cylinder	Door Thickness	Cam
761	V	2	0	DD	CC

For cams please check pages: 170 - 171

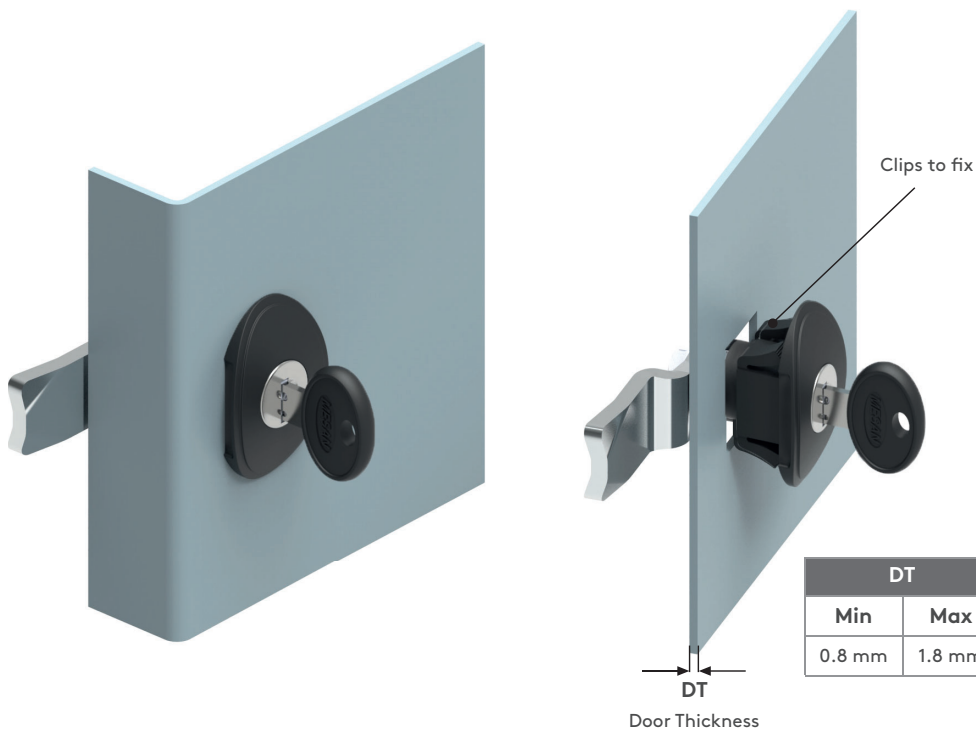
261

**KNOB LOCK**




- Clip fixing for easy assembly
- Mounting nut not required
- Special 20 mm x 26 mm cut out
- No IP 65 version of this lock
- 1.8 mm maximum panel thickness

**MATERIAL**  
**HOUSING:** Polyamide DIN-EN ISO 1043-1 PA6 GFR 30  
**CAM:** Steel or plastic



DT	
Min	Max
0.8 mm	1.8 mm

	CYLINDER	
	Keyed alike (Stainless steel dust cap)	DD
	Keyed differ (Stainless steel dust cap)	03
	Master System	32
	Euro key (5333)	04
	CH751 (Stainless steel dust cap)	05
	07	

Group Code	Material	Finish	Cylinder	Cam
261	2	0	DD	CC

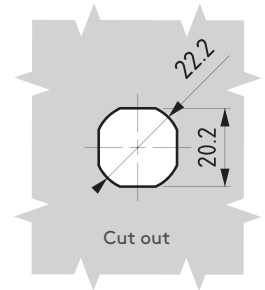
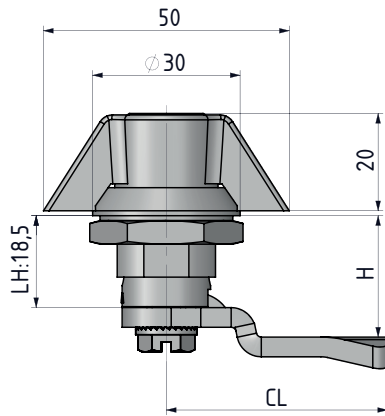
 For cams please check pages: 170 - 171

**CAM LOCK - WING KNOB**

**065**



- RoHS
- IP 65
- 
- 



- **Stainless steel version: page 474**
- Quarter-turn operation
- Available in all die-cast zinc alloy or with polyamide wing knob and housing
- Optional blind version

**MATERIAL**

HOUSING: Zamak DIN-EN 1774-ZnAl4Cu1  
 CAM: Steel or Plastic  
 GASKET: Rubber

No cylinder '00'

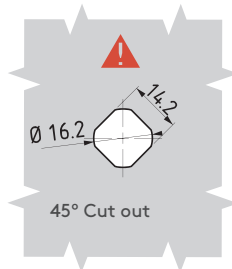
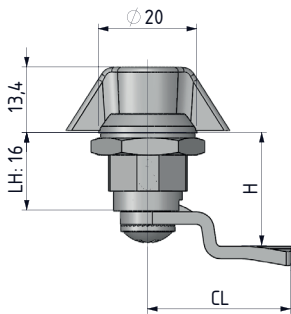


MATERIAL	M	FINISH	F
Zamak	1	Chrome plated	1
		Black coated	2
Plastic	2	No finish	0

CYLINDER		DD
	No cylinder	00
	Keyed alike (Stainless steel dust cap)	03
	Keyed differ (Stainless steel dust cap)	32
	Master System	04
	Euro key (5333)	05
	CH751 (Stainless steel dust cap)	07

Group Code	Material	Finish	Cylinder	Cam
<b>065</b>	M	F	DD	CC

For cams please check pages: 170 - 171



165

MINI CAM LOCK - WING KNOB



- Quarter-turn operation
- Available all die-cast zinc alloy
- Suitable for small cabinets


**MATERIAL**

HOUSING: Zamak DIN-EN 1774-ZnAl4Cu1

KNOB: Zamak DIN-EN 1774-ZnAl4Cu1

CAM: Steel

MATERIAL	M	FINISH	F
Zamak	1	Chrome plated	1
		Black coated	2

	CYLINDER	DD
	Keyed alike (Stainless steel dust cap)	03
	Keyed differ (Stainless steel dust cap)	32

Group Code	Material	Finish	Cylinder	Cam
165	1	F	DD	CC

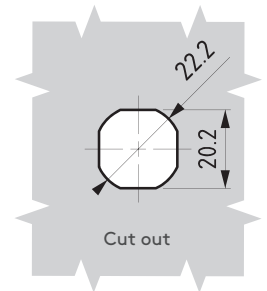
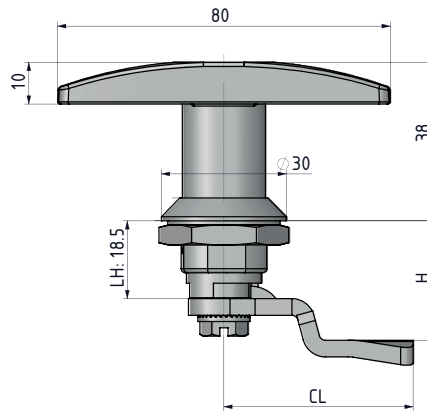
 For cams please check page: 175

**CAM LOCK – T HANDLE**

**110**



- RoHS
- IP 65



- Stainless steel version: page 472
- Quarter-turn operation
- Available in all die-cast zinc alloy or with polyamide wing handle and housing
- Optional blind version

**MATERIAL**

**HANDLE:** Zamak DIN-EN 1774-ZnAl4Cu1 or PA6  
**HOUSING:** Zamak DIN-EN 1774-ZnAl4Cu1  
**CAM:** Steel or Plastic  
**GASKET:** Rubber



MATERIAL	M	FINISH	F
Zamak	1	Chrome plated	1
		Black coated	2
Plastic	2	No finish	0

	CYLINDER	DD
	No cylinder	00
	Keyed alike (Stainless steel dust cap)	03
	Keyed differ (Stainless steel dust cap)	32
	Euro key (5333)	05
	CH751 (Stainless steel dust cap)	07

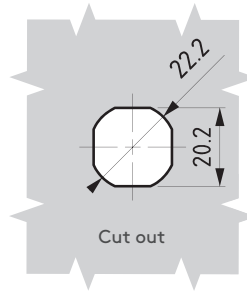
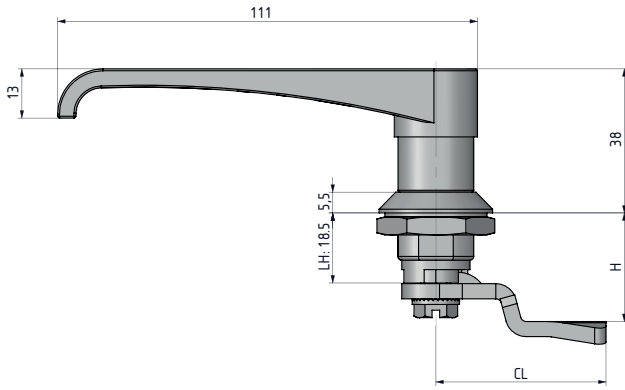
Group Code	Material	Finish	Cylinder	Cam
110	M	F	DD	CC

For cams please check pages: 170 - 171



111

CAM LOCK - L HANDLE



- Stainless steel version: page 473
- Quarter-turn operation
- Available in all die-cast zinc alloy or with polyamide wing handle and housing
- Optional blind version

**MATERIAL**

**HANDLE:** Zamak DIN-EN 1774-ZnAl4Cu1 or PA6  
**HOUSING:** Zamak DIN-EN 1774-ZnAl4Cu1  
**CAM:** Steel or Plastic  
**GASKET:** Rubber

MATERIAL	M	FINISH	F
Zamak	1	Chrome plated	1
		Black coated	2
Plastic	2	No finish	0

	CYLINDER	DD
	No cylinder	00
	Keyed alike (Stainless steel dust cap)	03
	Keyed differ (Stainless steel dust cap)	32
	Euro key (5333)	05
	CH751 (Stainless steel dust cap)	07

Group Code	Material	Finish	Cylinder	Cam
111	M	F	DD	CC

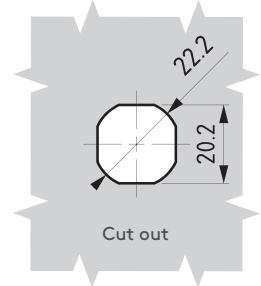
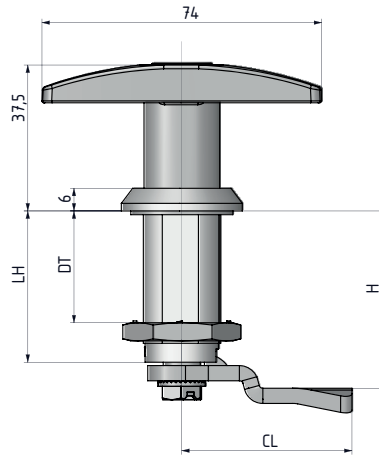
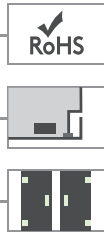
For cams please check pages: 170 - 171



# CAM LOCKS

## CAM LOCK – T HANDLE

064



- Quarter-turn operation
- Available in all die-cast zinc alloy or with polyamide wing handle and housing
- Optional blind version

### MATERIAL

**HANDLE:** Zamak DIN-EN 1774-ZnAl4Cu1 or PA6  
**HOUSING:** Zamak DIN-EN 1774-ZnAl4Cu1  
**CAM:** Steel or Plastic  
**GASKET:** Rubber



DT	LH
20	30
30	40
40	50
50	60

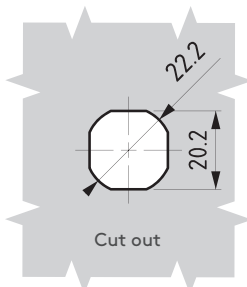
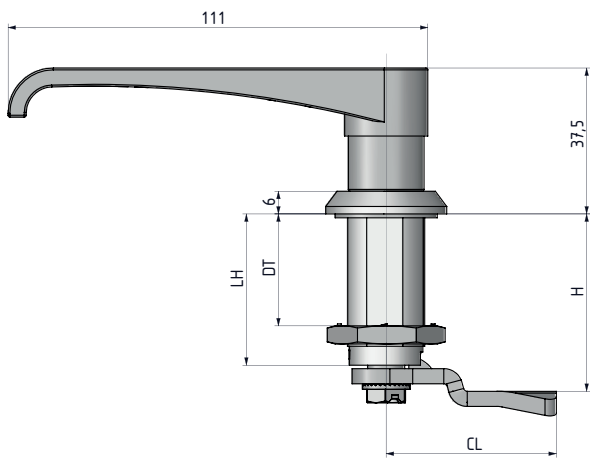
MATERIAL	M	FINISH	F
Zamak	1	Chrome plated	1
		Black coated	2
Plastic	2	No finish	0

	CYLINDER	DD
	No cylinder	00
	Keyed alike (Stainless steel dust cap)	03
	Keyed differ (Stainless steel dust cap)	32
	Euro key (5333)	05
	CH751 (Stainless steel dust cap)	07

Group Code	Handle	Door Thickness	Material	Finish	Cylinder	Cam
064	110	DT	M	F	DD	CC

For cams please check pages: 170 - 171

**064** CAM LOCK – L HANDLE




DT	LH
20	30
30	40
40	50
50	60

- Quarter-turn operation
- Available in all die-cast zinc alloy or with polyamide wing handle and housing
- Optional blind version

**MATERIAL**  
**HANDLE:** Zamak DIN-EN 1774-ZnAl4Cu1 or PA6  
**HOUSING:** Zamak DIN-EN 1774-ZnAl4Cu1  
**CAM:** Steel or Plastic  
**GASKET:** Rubber

MATERIAL	M	FINISH	F
Zamak	1	Chrome plated	1
		Black coated	2
Plastic	2	No finish	0

	CYLINDER	DD
	No cylinder	00
	Keyed alike (Stainless steel dust cap)	03
	Keyed differ (Stainless steel dust cap)	32
	Euro key (5333)	05
	CH751 (Stainless steel dust cap)	07

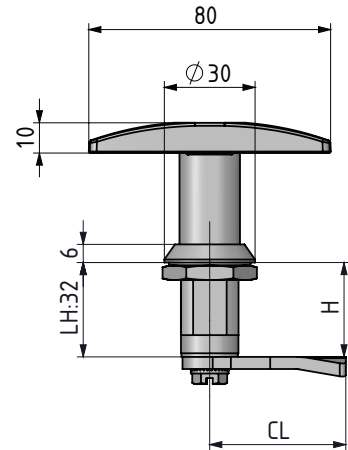
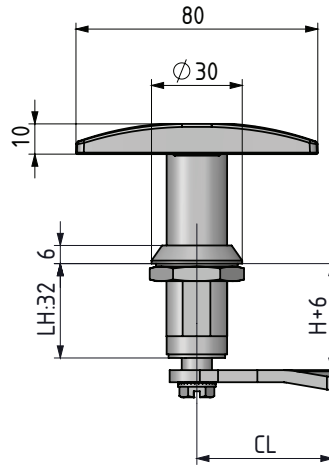
Group Code	Handle	Door Thickness	Material	Finish	Cylinder	Cam
064	111	DT	M	F	DD	CC

 For cams please check pages: 170 - 171

# CAM LOCKS

## COMPRESSION LOCK - T HANDLE

240



- Used for cabinets require better sealing under vibrating conditions
- Provides 6 mm of compression
- Provides noise isolation
- Standard cams without stopper required for these locks

### MATERIAL

HOUSING: Zamak DIN-EN 1774-ZnAl4Cu1

HANDLE: Zamak DIN-EN 1774-ZnAl4Cu1

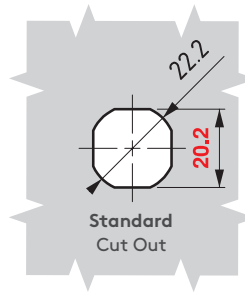
CAM: Steel

GASKET: Rubber

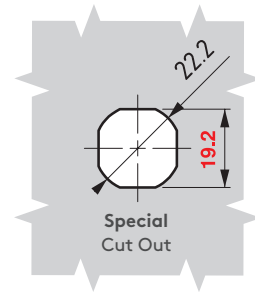
### FINISH

Chrome or black coated


V:1



V:3

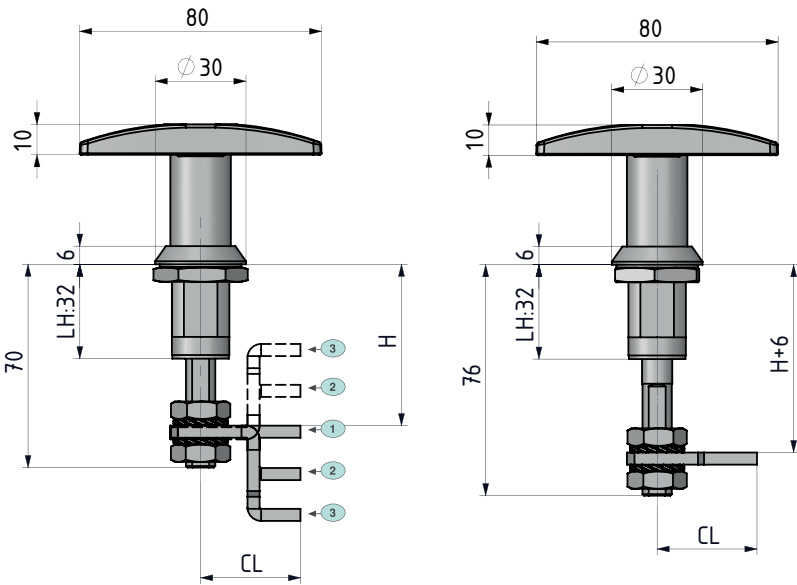


MATERIAL	M	FINISH	F
Zamak	1	Chrome plated	1
		Black coated	2

	CYLINDER	
	No cylinder	DD
	Keyed alike (Stainless steel dust cap)	00
	Keyed differ (Stainless steel dust cap)	03
	CH751 (Stainless steel dust cap)	32
	07	

Group Code	Version	Material	Finish	Cylinder	Cam
240	V	1	F	DD	CC

For cams please check page:: 172 - 173



240

COMPRESSION LOCK - T HANDLE



CAM	STOCK CODE	CC	CH	CL	POSITION	H: GRIP MIN	H: GRIP MAX
1	30403565Y	01	0	33	Flat	41	58
2	30403566Y	02	14	33	Up	27	44
					Down	55	72
3	30403567Y	03	27,5	33	Up	13,5	30,5
					Down	68	85

- For the cabinets that require better sealing under vibrating conditions
- Provides 6 mm of compression
- Wide grip range with adjustable screw
- Provides noise isolation
- Three cam alternatives available

MATERIAL

HOUSING: Zamak DIN-EN 1774-ZnAl4Cu1

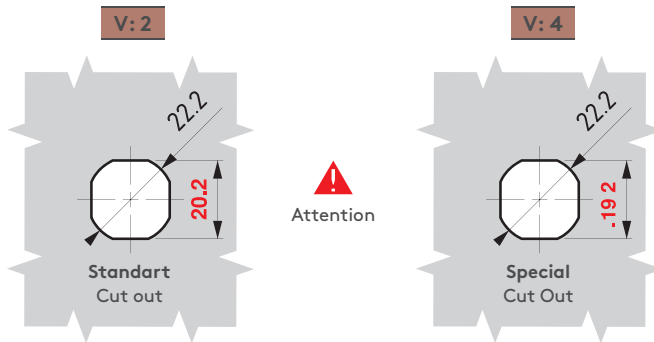
HANDLE: Zamak DIN-EN 1774-ZnAl4Cu1

CAM: Steel

GASKET: Rubber

FINISH

Chrome or black coated

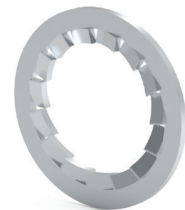


MATERIAL	M	FINISH	F
Zamak	1	Chrome plated	1
		Black coated	2

	CYLINDER	
	No cylinder	DD
	Keyed alike (Stainless steel dust cap)	00
	Keyed differ (Stainless steel dust cap)	03
	CH751 (Stainless steel dust cap)	32
	07	

Group Code	Version	Material	Finish	Cylinder	Cam
240	V	1	F	DD	CC

FIXING DEVICE

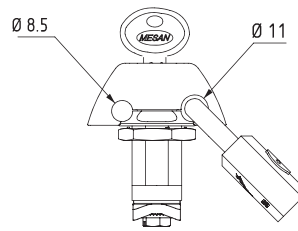
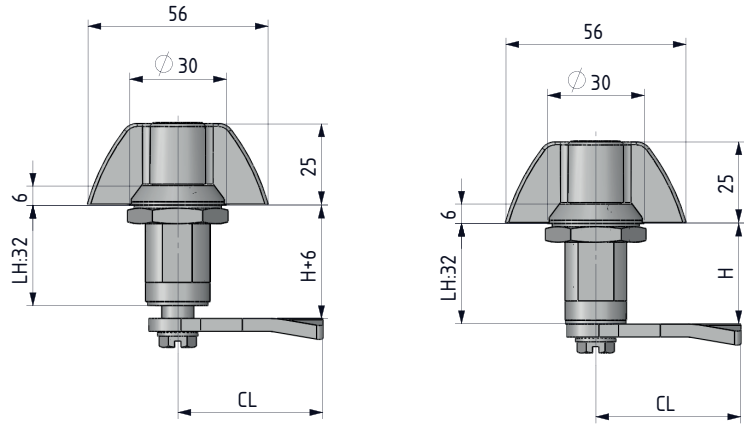


- Can be ordered separately  
ORDER CODE: 060 A3.

# ▶ CAM LOCKS

## COMPRESSION LOCK - WING KNOB

340



Padlock application

- Used for cabinets that require better sealing under vibrating conditions
- Provides 6 mm of compression
- Provides noise isolation
- Standard cams without stopper required for these locks
- Shackle diameter is  
for 11 mm hole: min. 8.5 mm  
max. 10 mm  
for 8.5 mm hole:  
min. 6 mm  
max. 7.5 mm

### MATERIAL

HOUSING: Zamak DIN-EN 1774-ZnAl4Cu1

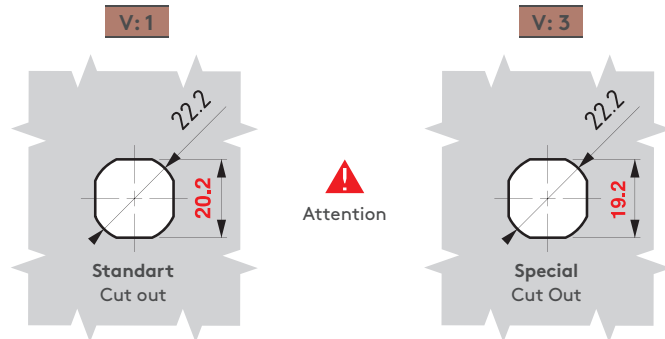
KNOB: Zamak DIN-EN 1774-ZnAl4Cu1

CAM: Steel


GASKET: Rubber

### FINISH

Chrome or black coated



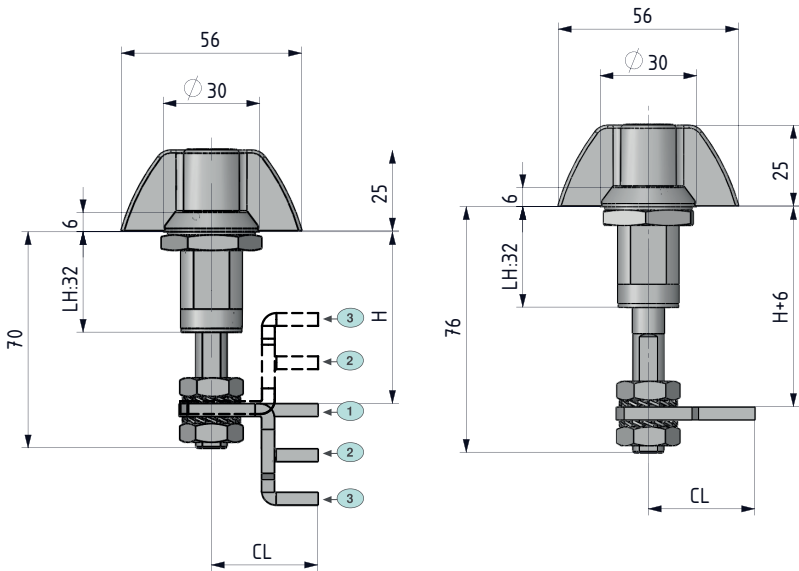
MATERIAL	M	FINISH	F
Zamak	1	Chrome plated	1
		Black coated	2

	CYLINDER		DD
	No cylinder		00
	Keyed alike (Stainless steel dust cap)		03
	Keyed differ (Stainless steel dust cap)		32
	CH751 (Stainless steel dust cap)		07

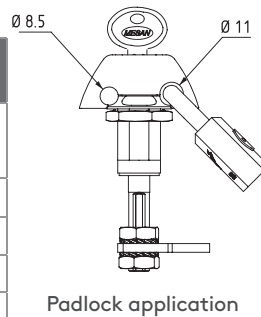
Group Code	Version	Material	Finish	Cylinder	Cam	Padlock *
340	V	1	F	DD	CC	

 For cams please check page:: 172 - 173

\*: add "1" for padlock application.



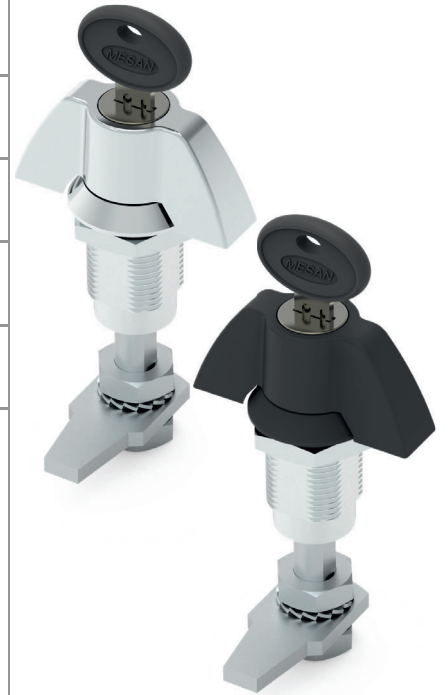
CAM	STOCK CODE	CC	CH	CL	POSITION	H: GRIP	MIN	MAX
1	30403565Y	01	0	33	Flat	41	58	
2	30403566Y	02	14	33	Up	27	44	
					Down	55	72	
3	30403567Y	03	27,5	33	Up	13,5	30,5	
					Down	68	85	



Padlock application

340

## COMPRESSION LOCK - WING KNOB



- For the cabinets that require better sealing under vibrating conditions
- Lock provides 6 mm of compression
- Wide grip range with adjustable screw
- Provides noise isolation
- Three cam alternatives available
- Shackle diameter is
  - for 11 mm hole: min. 8.5 mm max. 10 mm
  - for 8.5 mm hole: min. 6 mm max. 7.5 mm

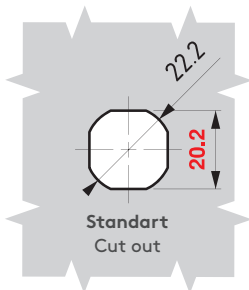
### MATERIAL

HOUSING: Zamak DIN-EN 1774-ZnAl4Cu1  
 KNOB: Zamak DIN-EN 1774-ZnAl4Cu1  
 CAM: Steel  
 GASKET: Rubber

### FINISH

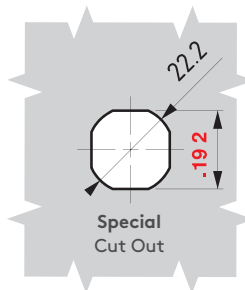
Chrome or black coated

V: 2



Standart Cut out

V: 4



Special Cut out



Attention

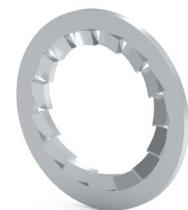
MATERIAL	M	FINISH	F
Zamak	1	Chrome plated	1
		Black coated	2

	CYLINDER		DD
	No cylinder		00
	Keyed alike (Stainless steel dust cap)		03
	Keyed differ (Stainless steel dust cap)		32
	CH751 (Stainless steel dust cap)		07

Group Code	Version	Material	Finish	Cylinder	Cam	Padlock *
340	V	1	F	DD	CC	

\*: add "1" for padlock application.

## FIXING DEVICE

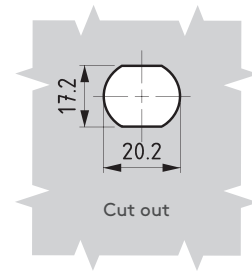
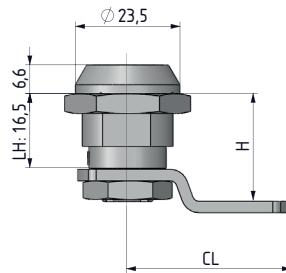


- Can be ordered separately  
**ORDER CODE: 060 A3.**

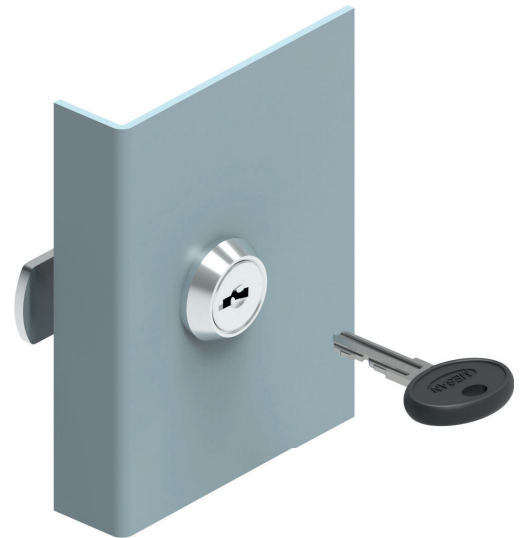
# CAM LOCKS

## CAM LOCK

050



**MATERIAL**  
**HOUSING:** Zamak DIN-EN 1774-ZnAl4Cu1  
**CAM:** Steel  
**FINISH**  
 Chrome plated



V: 1

KEY ROTATION ANGLE



V: 2

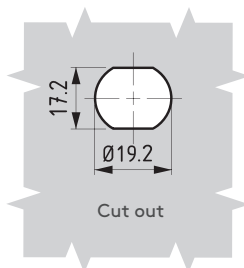
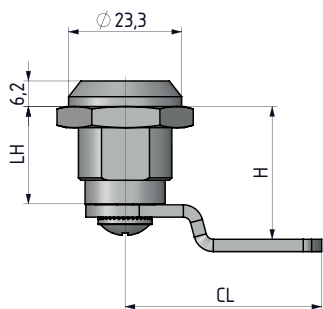
KEY ROTATION ANGLE



	CYLINDER	DD
	Keyed alike (Stainless steel dust cap)	03
	Keyed differ (Stainless steel dust cap)	32
	Euro key (5333)	05

Group Code	Version	Cylinder	Cam
050	V	DD	CC

For cams please check page: 175 (Cam-2)



LH
20
25
30

KEY ROTATION ANGLE




050


CAM LOCK



**MATERIAL**  
 HOUSING: Zamak DIN-EN 1774-ZnAl4Cu1  
 CAM: Steel  
**FINISH**  
 Chrome plated

	CYLINDER	DD
	Keyed alike (Stainless steel dust cap)	03
	Keyed differ (Stainless steel dust cap)	32
	Euro key (5333)	05

Group Code	Housing Length	Cylinder	Cam
050	LH	DD	CC

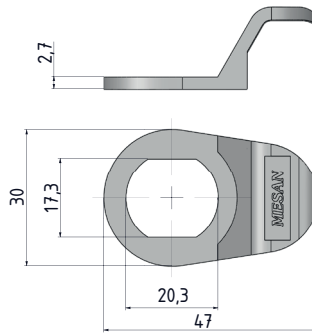
 For cams please check page: 175 (Cam-1)



**CAM LOCKS**

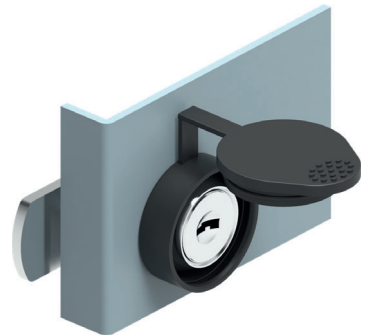
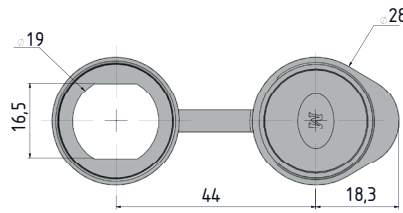
**HANDLE FOR LOCK**

**050 A3**



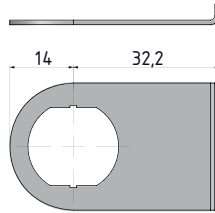
**DUST CAP**

**050 A4**



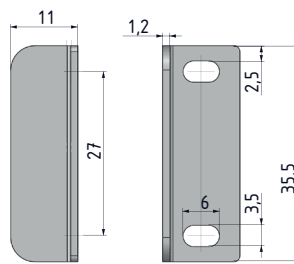
**CAM LOCK FIXING PLATE FOR GLASS**

**050 A1**



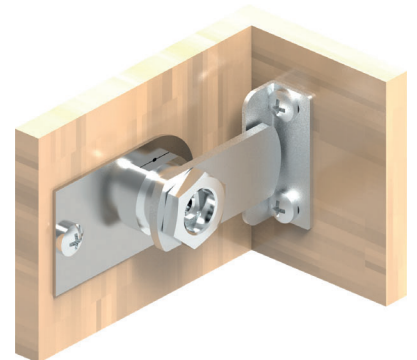
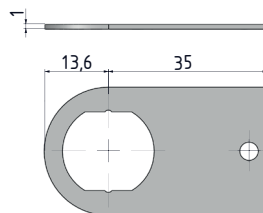
**STRIKING PLATE**

**030 A1**



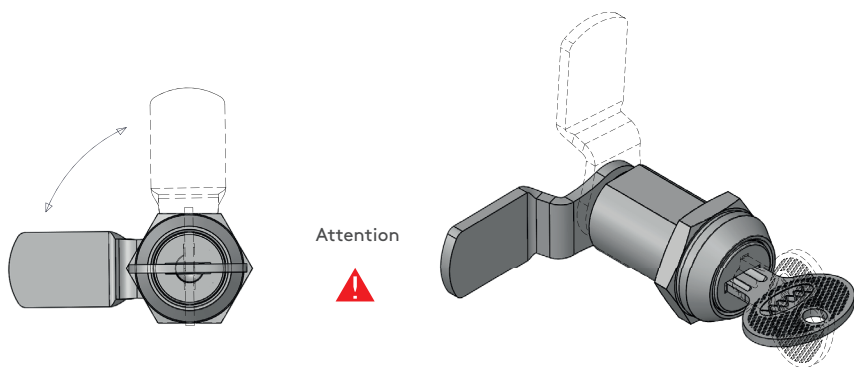
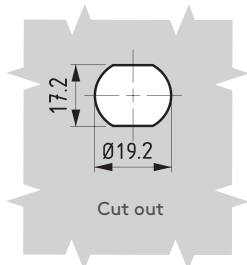
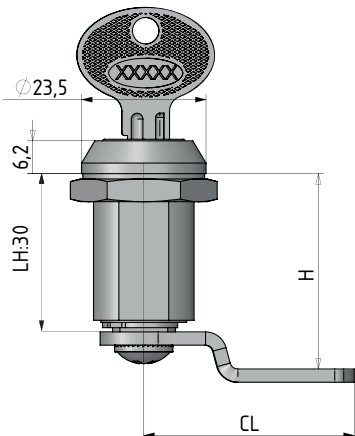
**CAM LOCK FIXING PLATE FOR WOOD**

**055 A1**



450

CAM LOCK SPRING LOADED




Cam throws back when the key is turned

**MATERIAL**  
 HOUSING: Zamak DIN-EN 1774-ZnAl4Cu1  
 CAM: Steel  
**FINISH**  
 Chrome plated

KEY ROTATION ANGLE



	CYLINDER	DD
	Keyed alike (Stainless steel dust cap)	03
	Keyed differ (Stainless steel dust cap)	32
	Master system	04
	Euro key (5333)	05

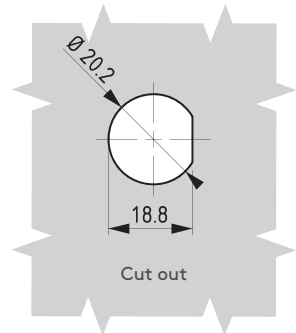
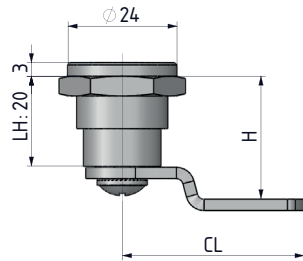
Group Code	Cylinder	Cam
450	DD	CC

 For cams please check page: 175 (Cam-1)

# CAM LOCKS

## CAM LOCK

150



- Designed for polyester cabinets
- Very low profile head
- Please note special shape of mounting hole

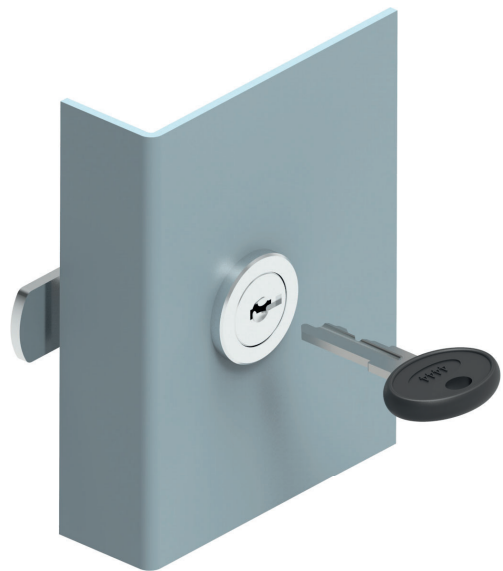
**MATERIAL**

HOUSING: Zamak DIN-EN 1774-ZnAl4Cu1  
 CAM: Steel

**FINISH**

Chrome plated

KEY ROTATION ANGLE



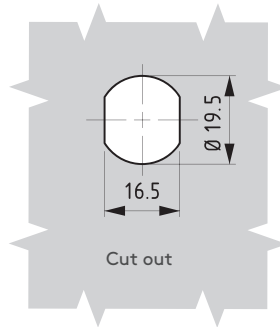
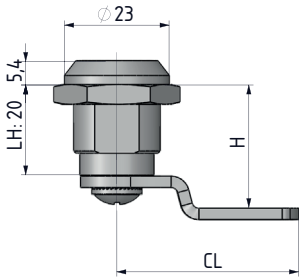
	CYLINDER	DD
	Keyed alike (Stainless steel dust cap)	03
	Keyed differ (Stainless steel dust cap)	32
	Euro key (5333)	05

Group Code	Housing Length	Cylinder	Cam
150	20	DD	CC

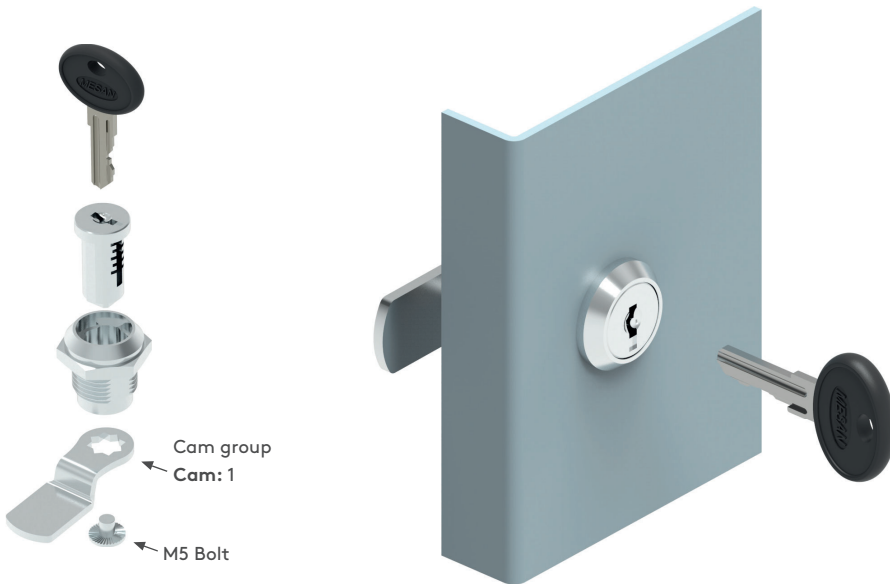
For cams please check page: 175 (Cam-1)


250

CAM LOCK



**MATERIAL**  
 HOUSING: Zamak DIN-EN 1774-ZnAl4Cu1  
 CAM: Steel  
**FINISH**  
 Chrome plated



	CYLINDER	DD
	Keyed alike (Stainless steel dust cap)	03
	Keyed differ (Stainless steel dust cap)	32
	Euro key (5333)	05

Group Code	Housing Length	Cylinder	Cam
250	20	DD	CC

 For cams please check page: 175 (Cam-1)

**MINI CAM LOCK**

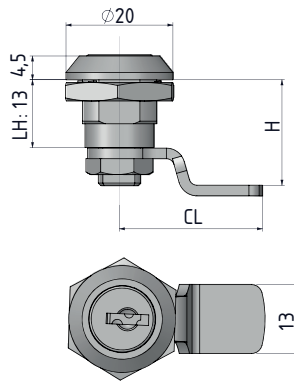
**057**



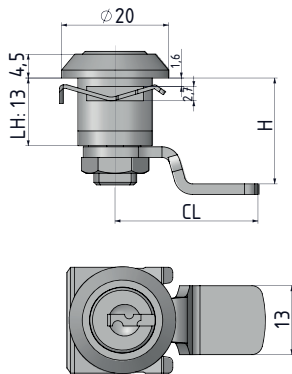
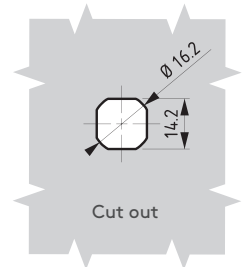
- Keyed differ has maximum 100 key combination
- Panel thickness in clips version It is between 0.8 mm-1.2 mm.

**MATERIAL**  
**HOUSING:** Zamak DIN-EN 1774-ZnAl4Cu1  
**CAM:** Steel  
**FINISH**  
 Chrome

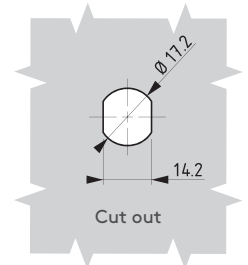
KEY ROTATION ANGLE



**V: 1**  
Fixed by nut



**V: 3**  
Fixed by clips



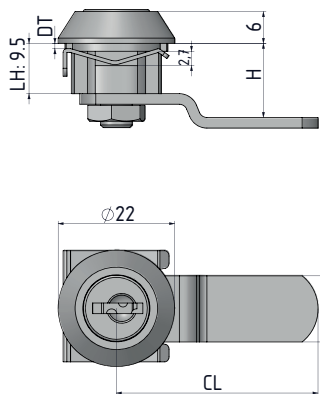
	CYLINDER	DD
	Keyed alike (Stainless steel dust cap)	03
	Keyed differ (Stainless steel dust cap)	32

Group Code	Version	Cylinder	Cam
057	V	DD	CC

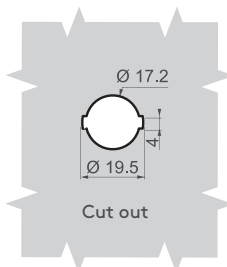
For cams please check page: 175 (Cam-4)

157

MINI CAM LOCK



Fixed by clips



Cut out



- Suitable for both steel and aluminium profile

**MATERIAL**  
**HOUSING:** Zamak DIN-EN 1774-ZnAl4Cu1  
**CAM:** Steel

STOCK CODE	CC	CH	CL	LH:9.5 H
30403487Y	27	0	16	9.5
31403040Y	28	1	33	10.5
31403032Y	23	1	38	10.5
30403469Y	24	5	38	14.5
*31403041Y	29	6	30	15.5


\* Hook cam (CC: 29)

DOOR THICKNESS	VERSION
1.2 -1.5 mm	1
0.8 -1.2 mm	2



KEY ROTATION ANGLE

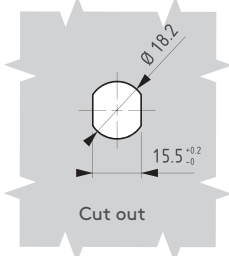
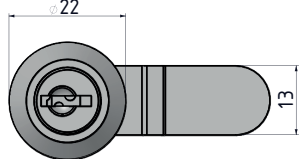
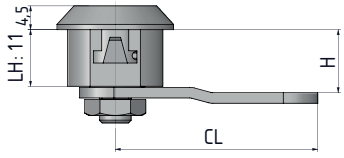


	CYLINDER	
	Keyed alike (Stainless steel dust cap)	DD
	Keyed differ (Stainless steel dust cap)	03
		32

Group Code	Version	Cylinder	Cam
157	V	DD	CC

**MINI CAM LOCK**

**257**



- Easy assembly with clips on housing
- Panel thickness is max 1.7 mm.

**MATERIAL**

HOUSING: Polyamide DIN-EN ISO 1043-1 PA6 GFR 30  
 CAM: Steel

FINISH  
 Chrome

KEY ROTATION ANGLE



STOCK CODE	CC	CH	CL	LH:9.5 H
30403487Y	27	0	16	11
31403040Y	28	1	33	12
31403032Y	23	1	38	12
30403469Y	24	5	38	16
31403041Y	29	6	30	17

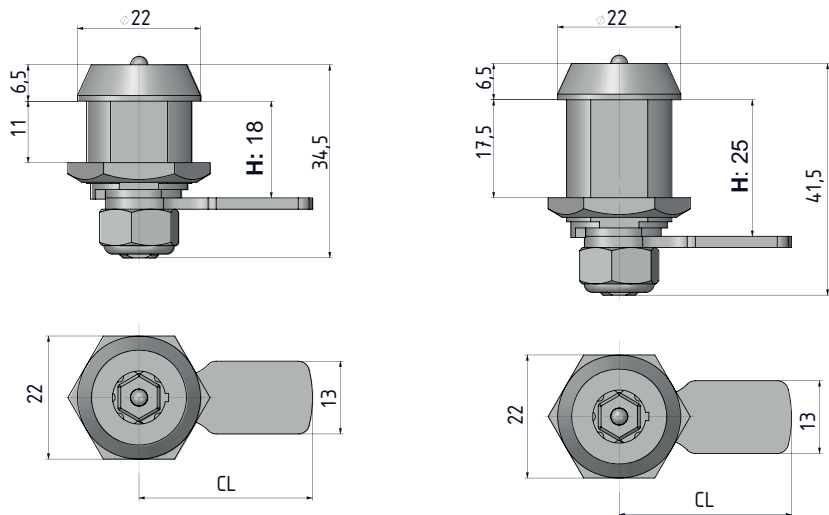
Hook cam (CC:29)

	CYLINDER	DD
	Keyed alike (Stainless steel dust cap)	03
	Keyed differ (Stainless steel dust cap)	32

Group Code	Cylinder	Cam
257	DD	CC

056

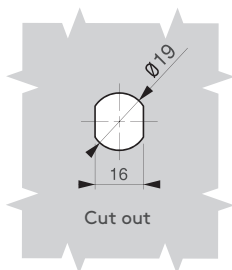
CAM LOCK




- High-security lock
- Unique key combination available
- Two different housing lengths (18 mm and 25 mm)
- For different cam alternatives contact Essentra

**MATERIAL**

HOUSING: Brass  
 CAM: Steel  
 NUT: Brass



CYLINDER		DD
	Keyed alike	01
	Keyed differ	02

Group Code	Grip	Cylinder
056	H	DD

 For cams please check page: 175 (Cam-1)





274



274



275



275



276



276



277



277



278



279



280



281



282



283



284



285



## FURNITURE & STEEL CUPBOARD LOCKS

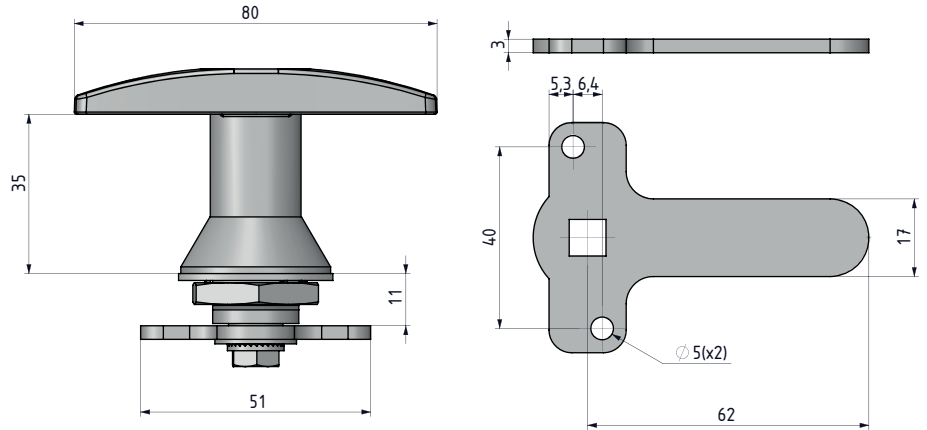
272-285



# STEEL CUPBOARD LOCKS

## CAM LOCK - T HANDLE

010

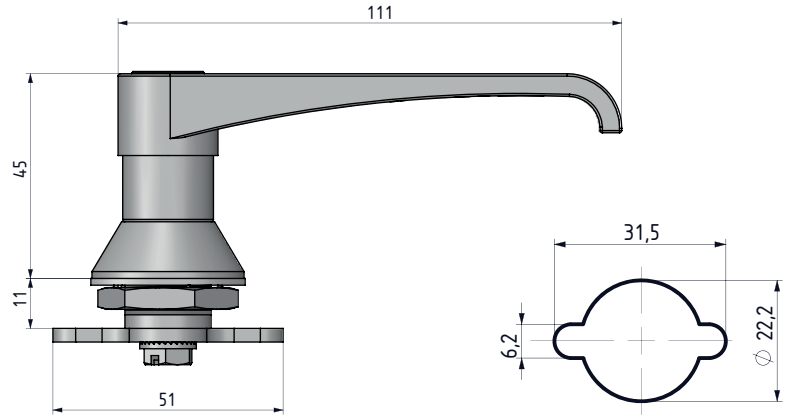


**MATERIAL**

HOUSING: Zamak DIN-EN 1774-ZnAl4Cu1  
 HANDLE: Zamak DIN-EN 1774-ZnAl4Cu1  
 CAM: Steel

## CAM LOCK - L HANDLE


011



Cut Out

**MATERIAL**

HOUSING: Zamak DIN-EN 1774-ZnAl4Cu1  
 HANDLE: Zamak DIN-EN 1774-ZnAl4Cu1  
 CAM: Steel

CYLINDER	SPECIFICATIONS	DD
	No cylinder	00
	Keyed alike	01
	Keyed differ	02
	Euro key (5333)	05
	CH751 (Stainless steel dust cap)	07

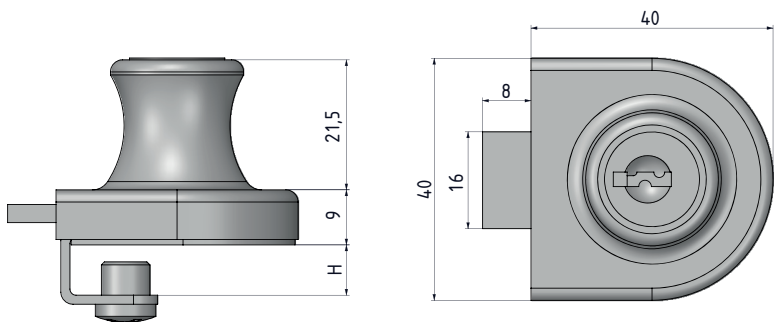
MATERIAL	M	FINISH	F	DOOR DIRECTION
Zamak	1	Chrome plated	1	Right hand  001
		Black coated	2	Left hand  002

Group Code	Material	Finish	Cylinder	Door Direction
	1	F	DD	

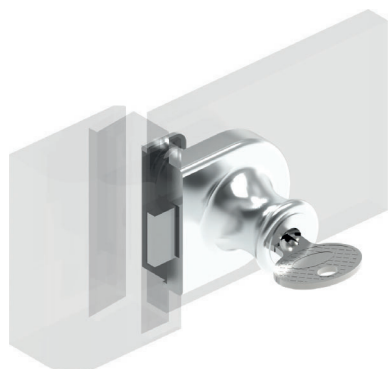


021

GLASS-DOOR LOCK



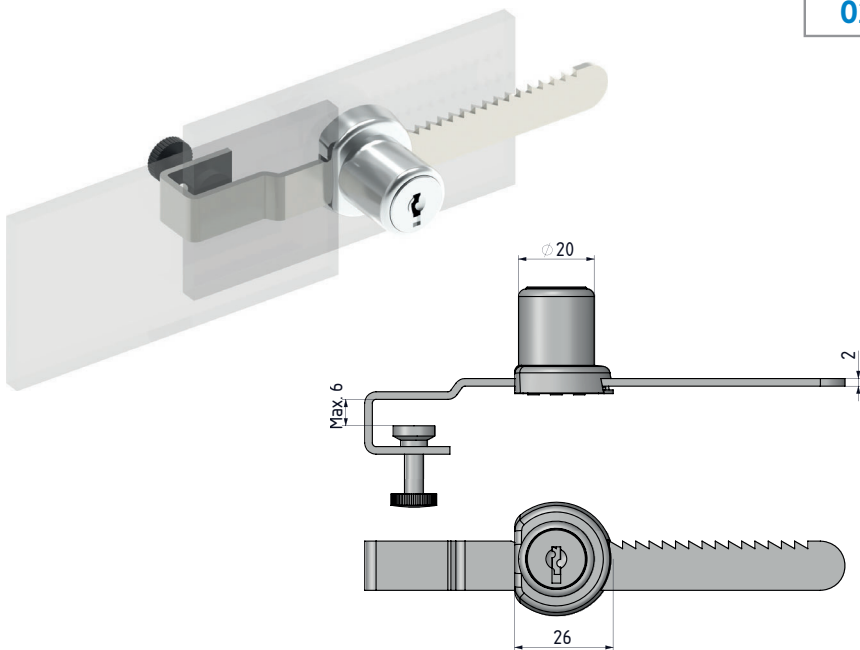
H: Glass Thickness  
min : 4 mm  
max: 7 mm



**MATERIAL**  
BODY: Zamak DIN-EN 1774-ZnAl4Cu1  
**FINISH**  
Chrome plated

020

SLIDING-GLASS DOOR LOCK



**MATERIAL**  
BODY: Zamak DIN-EN 1774-ZnAl4Cu1  
SLIDE: Stainless steel (AISI 304)  
**FINISH**  
Chrome plated

CYLINDER	SPECIFICATIONS	DD
	Keyed alike	01
	Keyed differ	02

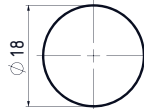
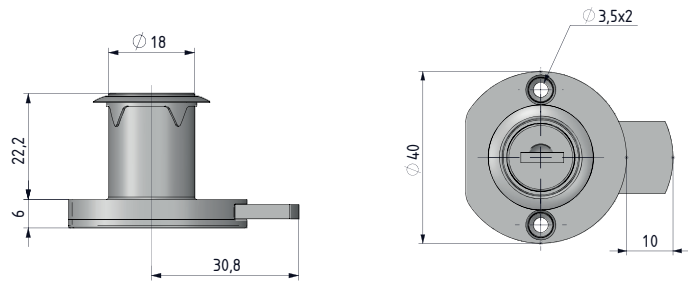
Group Code	Cylinder
	DD

# FURNITURE LOCKS

## FURNITURE LOCK

132

NEW



Cut Out



### MATERIAL

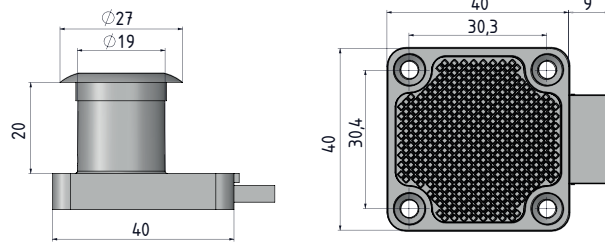
BODY: Zamak DIN-EN  
1774-ZnAl4Cu1  
CAM: Steel

### FINISH

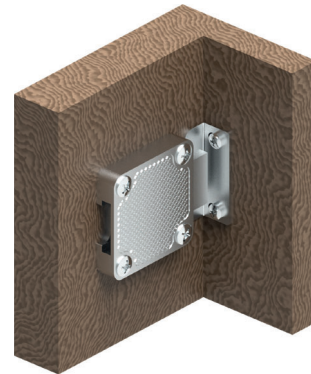
Chrome plated

## FURNITURE LOCK

032



Cut Out




### MATERIAL

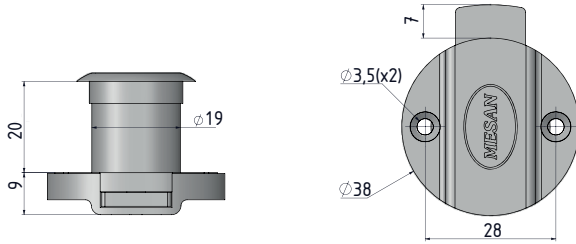
BODY: Zamak DIN-EN  
1774-ZnAl4Cu1  
CAM: Steel

### FINISH

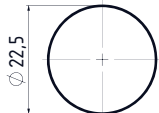
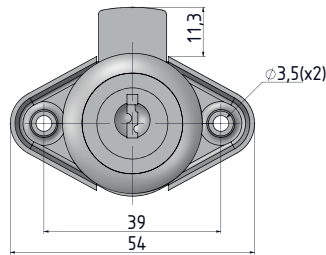
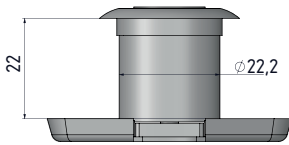
Chrome plated

CYLINDER	SPECIFICATIONS	DD
	Keyed alike	01
	Keyed differ	02

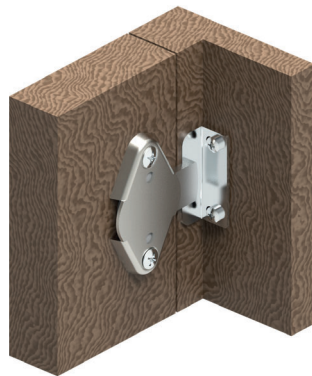
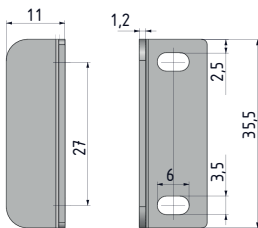
Group Code	Cylinder
	DD



Cut Out



Cut Out



033

FURNITURE LOCK



**MATERIAL**

BODY: Polyamide DIN-EN  
ISO 10431 Pa6 GFR 30  
CAM: Steel

030

FURNITURE LOCK



**MATERIAL**

BODY: Zamak DIN-EN  
1774-ZnAl4Cu1  
CAM: Steel

**FINISH**

Chrome plated

030 A1

STRIKING PLATE



**MATERIAL**

BODY: Zamak DIN-EN  
1774-ZnAl4Cu1

**FINISH**

Nickel plated

CYLINDER	SPECIFICATIONS	DD
	Keyed alike	01
	Keyed differ	02

Group Code	Cylinder
	DD

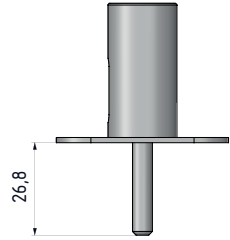
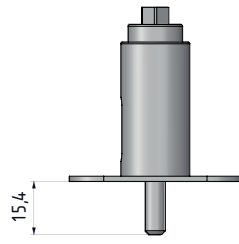
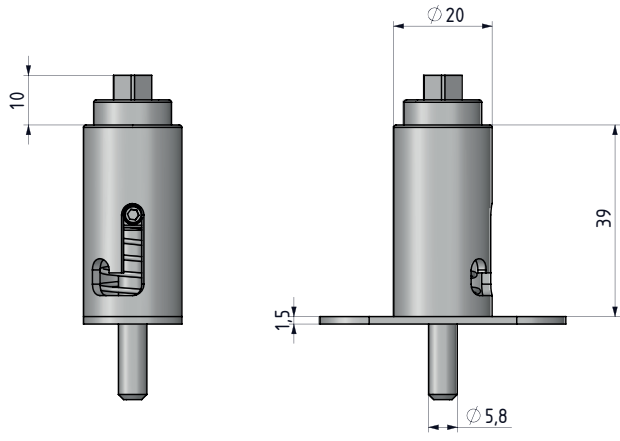
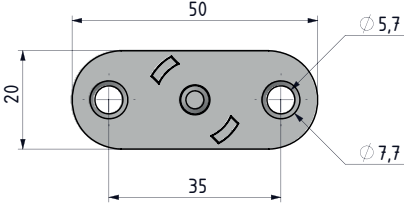
**SLIDING-DOOR LOCK**

**159**

**NEW**



**MATERIAL**  
 BODY: Stainless Steel  
 DRIVER: Stainless Steel



Unlocked position

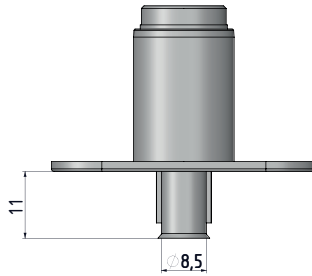
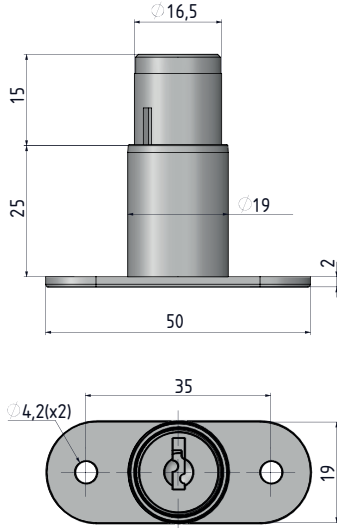


Locked position

Group Code	Material	Finish
159	4	0

059

SLIDING-DOOR LOCK



- Suitable for horizontal refrigerators
- Key alike and key differ available

**MATERIAL**

BODY: Zamak DIN-EN 1774-ZnAl4Cu1

CYLINDER: Zamak DIN-EN 1774-ZnAl4Cu1

**FINISH**


Chrome plated



Unlocked position



Locked position

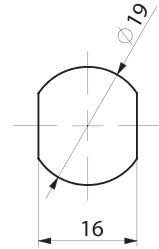
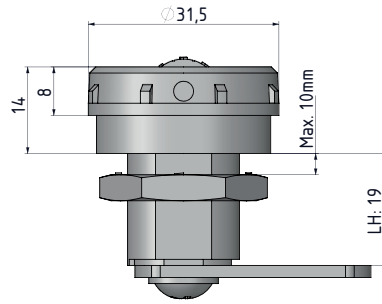
CYLINDER	SPECIFICATIONS	DD
	Keyed alike	01
	Keyed differ	02

Group Code	Cylinder
059	DD

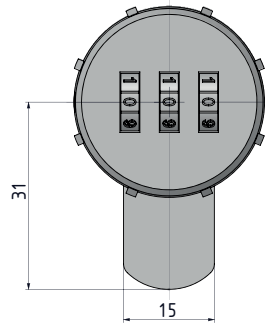


**COMBINATION LOCK**

**4150**



Cut Out



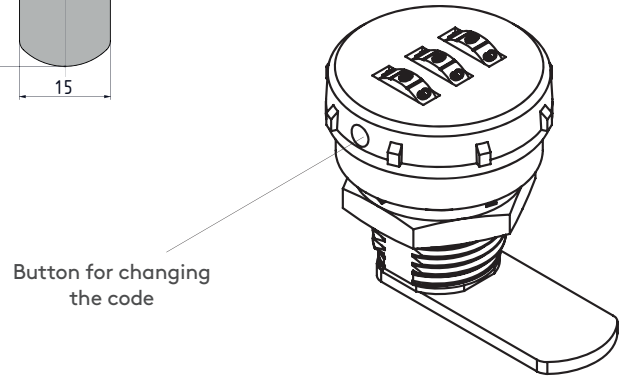
**MATERIAL**

BODY: Zamak DIN-EN  
1774-ZnAl4Cu1

CAM: Steel

**FINISH**

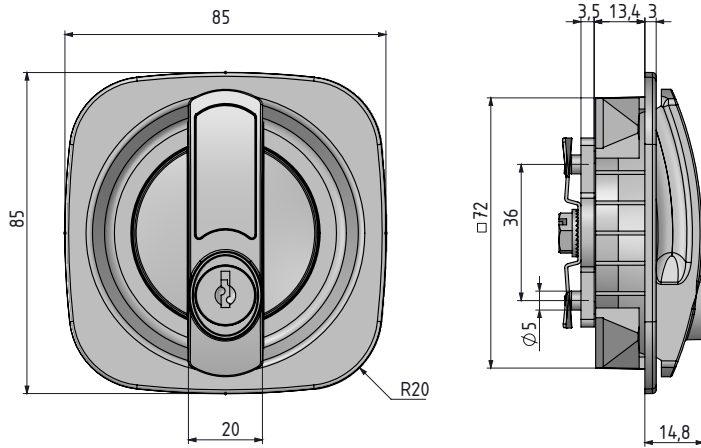
Chrome plated





035

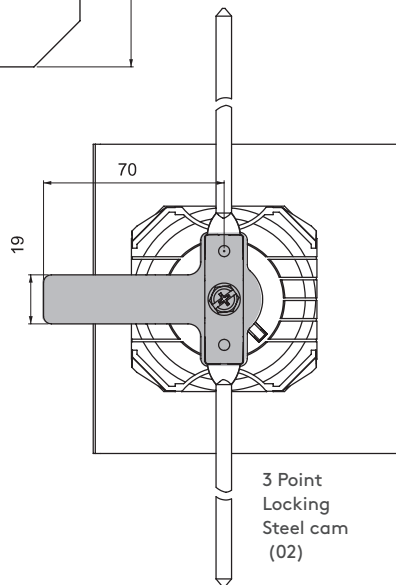
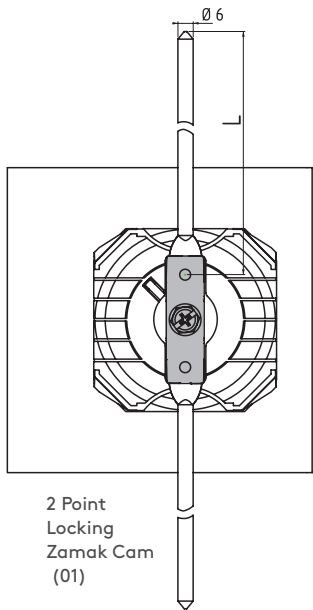
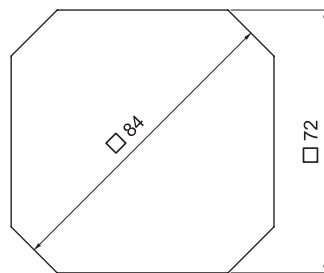
STEEL CUPBOARD LOCK



- Suitable for steel cupboards
- Easy rod assembly with special fixing plate
- Easy assembly with clips on body
- Two- or three-point locking optional

**MATERIAL**

**BODY:** Polyamide DIN-EN ISO 1043-1 Pa6 GFR 30  
**KNOB:** Zamak DIN-EN 1774-ZnAl4Cu1w



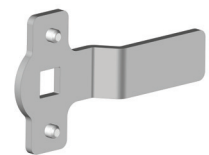
01


Zamak cam



02

Steel cam



CYLINDER	SPECIFICATIONS	DD
	Keyed alike	01
	Keyed differ	02
	Master system	04

MATERIAL	M	FINISH	F
Zamak	1	Chrome	1
		Black coated	2
		Gray coated	3
Plastic	2	No finish	0

Group Code	Body	Handle	Cylinder	Cam
035	2	0	1	F
			DD	CC

# STEEL CUPBOARD LOCKS

STEEL CUPBOARD LOCK

058



- Primarily for central locking applications
- Clip fixing

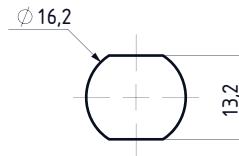
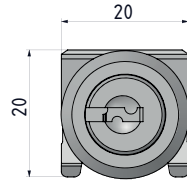
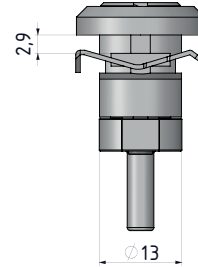
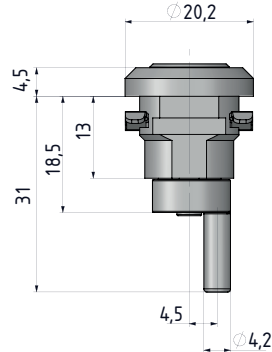
**MATERIAL**

BODY: Zamak DIN-EN 1774-ZnAl4Cu1


CYLINDER: Zamak DIN-EN 1774-ZnAl4C1

**FINISH**

Chrome plated



Cut Out

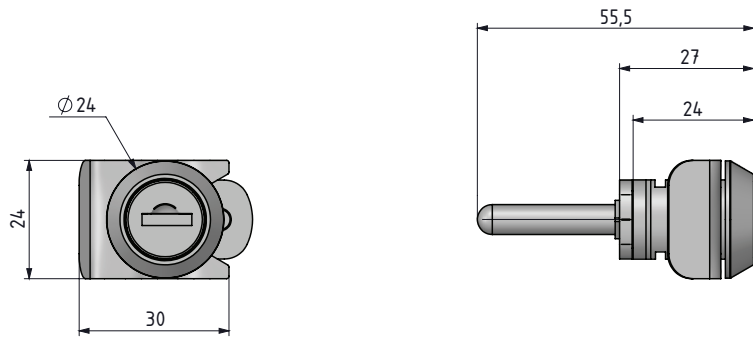
CYLINDER	SPECIFICATIONS	DD
	Keyed alike	01
	Keyed differ	02

Group Code	Cylinder
058	DD

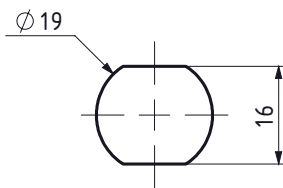
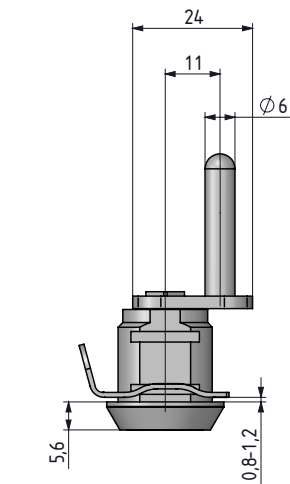


158

STEEL CUPBOARD LOCK



NEW



Cut Out

- Primarily for central locking applications
- Clip fixing


**MATERIAL**

BODY: Zamak DIN-EN 1774-ZnAl4Cu1

CYLINDER: Zamak DIN-EN 1774-ZnAl4Cu1

**FINISH**

Chrome plated

CYLINDER	SPECIFICATIONS	DD
	Keyed alike (Stainless steel dust cap)	03
	Keyed differ (Stainless steel dust cap)	32

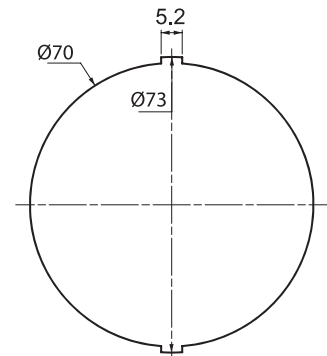
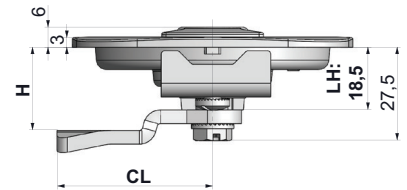
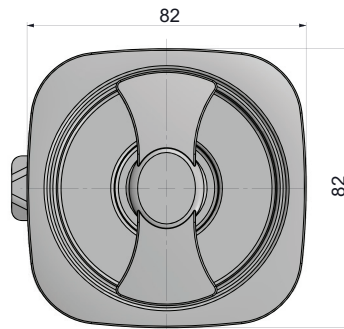
Group Code	Cylinder
158	DD

# STEEL CUPBOARD LOCKS

## FIRE HOSE CABINET LOCK

013

V:1



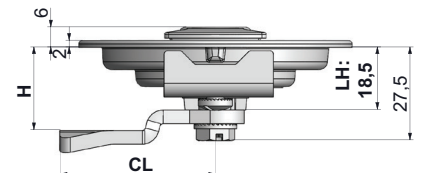
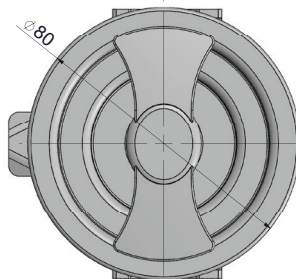
Cut Out

- Designed for fire-hose cabinets
- Special fixing-plate supplied for easy fixing
- Flush design provides flat surface on cabinet
- Customized colours available

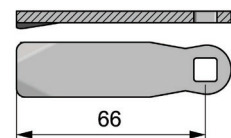
**MATERIAL**

BODY: Zamak DIN-EN 1774-ZnAl4Cu1  
 KNOB: Zamak DIN-EN 1774-ZnAl4Cu1  
 CAM: Steel  
 FIXING PLATE: Steel

V:2



CC :70



MATERIAL	M	FINISH	F
Zamak	1	Chrome	1
		Black coated	2

Group Code	Version	Body	Handle	Cam
013	V	1	F	CC

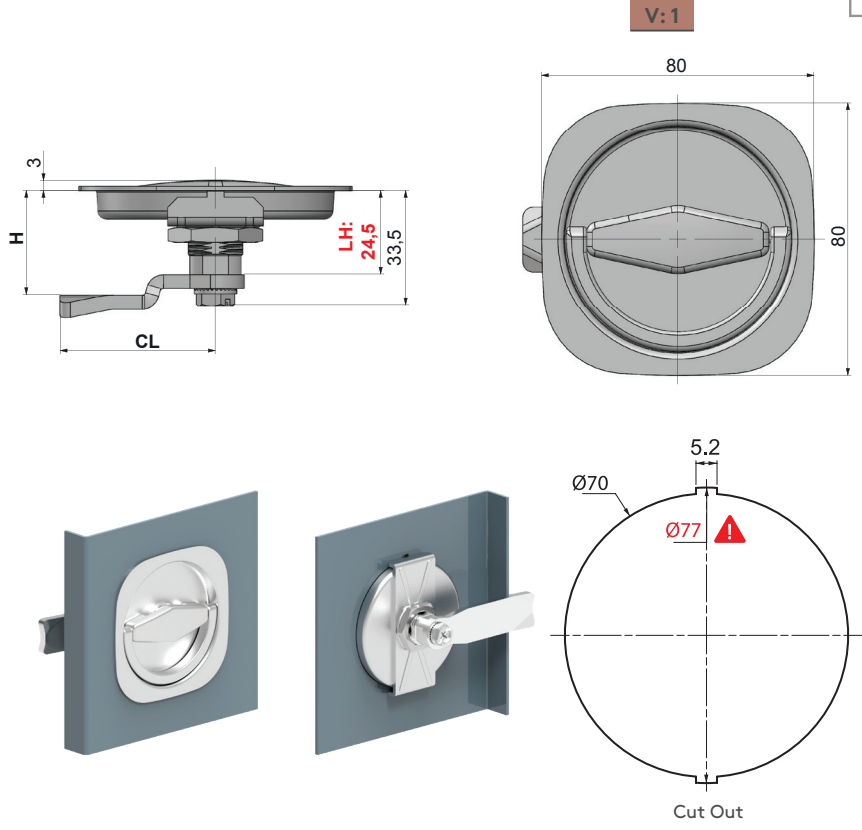
For cams please check pages: 172 - 173



113

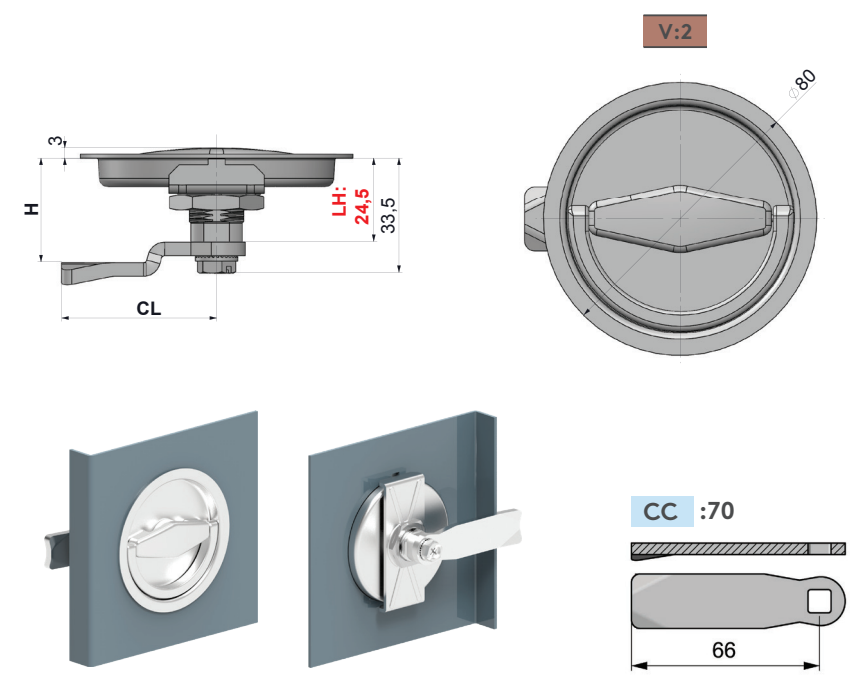
FIRE-HOSE CABINET LOCK

NEW



- Designed for fire-hose cabinet
- Special fixing plate supplied for easy fixing
- Flush design provides flat surface on cabinet
- Customized colours available

**MATERIAL**  
 BODY: Steel  
 KNOB: Steel  
 CAM: Steel  
 FIXING PLATE: Steel



MATERIAL	M	FINISH	F
Steel	6	Chrome	1
		Black coated	2

Group Code	Version	Body	Handle	Cam
113	V	6	F	CC

For cams please check pages: 172 - 173