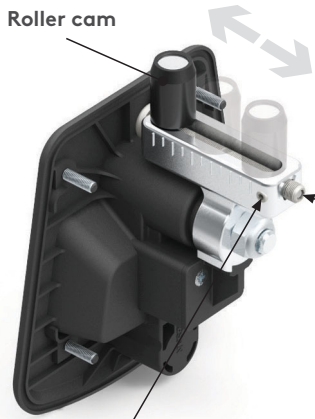


014

VERSIONS

Roller cam



V:1 V:6

Adjustable roller cam

Grip adjustment system

Grip adjusted by rotating the main screw between 10 - 60 mm
40 - 80 mm

Set screw

To adjust the grip, first loosen the set screw. Then screw again for fixing

V:2


Fixed cam



Standard Grip (H) is 60 mm; for different grip ranges contact Essentra Components

V:3 **V:4** **V:5**

Espagnolette cam **Espagnolette cam and adjustable roller cam** **Espagnolette cam and fixed cam**



two-point locking three-point locking three-point locking

GENERAL FEATURES



Ergonomic T handle
Black coated or chrome plated



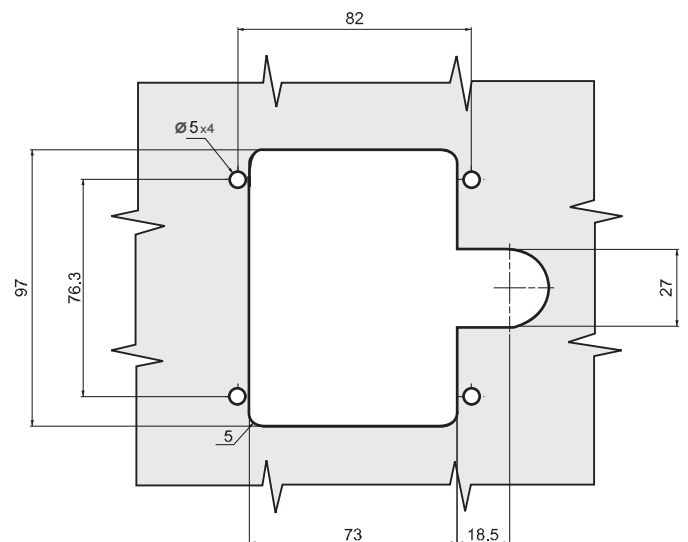
Cylinder locking system
Stainless steel dust cap (Keyed alike or Keyed differ)

Padlockable
Max. hasp dia 9 mm



Stud or hole option
M5 stud or rivet

Cut out

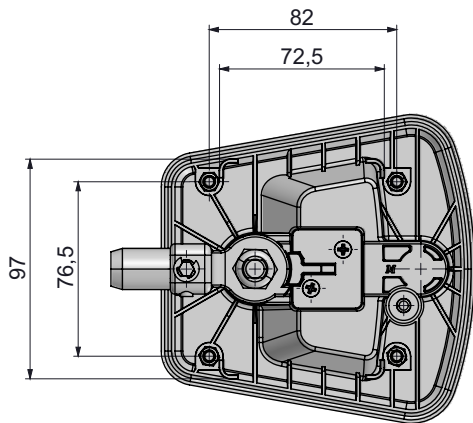




014

T HANDLE HEAVY-DUTY LOCK

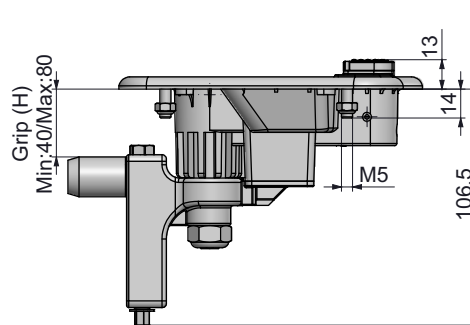
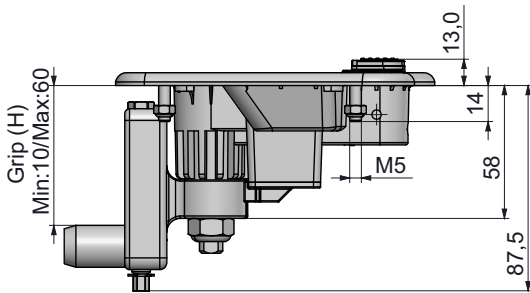
Adjustable roller cam



V:1

V:6

NEW



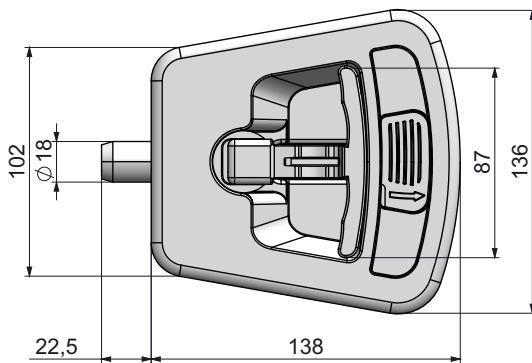
- Single-point locking
- 10 - 60 or 40 - 80 mm grip range
- Easy fixing with roller cam
- Provides sealing with compression property
- Option to use with or without padlock
- Use rivets or bolts for fixing
- Can be supplied without cylinder

MATERIAL

BODY: Polyamid DIN-EN ISO 1043-1PA6 GFR 30
HANDLE: Zamak DIN-EN 1774-ZnAl4Cu1

FINISH

HANDLE: Chrome or black coated



SPECIFICATIONS	D D
Stainless steel dust cap (Keyed alike)	03
Stainless steel dust cap (Keyed differ)	32
CH751 (Stainless steel dust cap)	07

FINISH	F	OPTION	O
Chrome Plated	1	Hole	0
Black Coated	2	Stud	1

Group Code	Version	Handle	Cylinder	Option
014	V	1	F	DD

HEAVY-DUTY LOCKS

T HANDLE HEAVY-DUTY LOCK

014



- Fixed grip
- Single-point locking
- Easy fixing with roller cam
- Provides sealing with compression property
- Option to use with or without padlock
- Use rivets or bolts for fixing
- Can be supplied without cylinder

MATERIAL

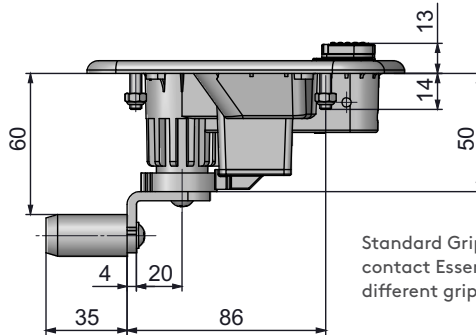
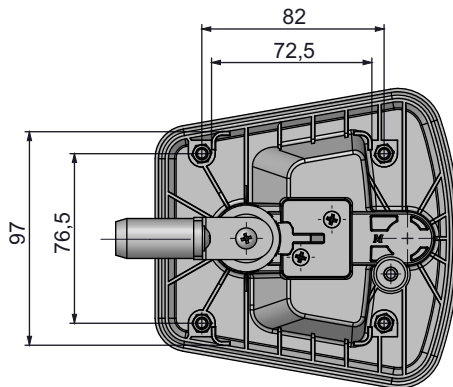
BODY: Polyamid DIN-EN ISO 1043-1 PA6 GFR 30
 HANDLE: Zamak DIN-EN 1774-ZnAl4Cu1

FINISH

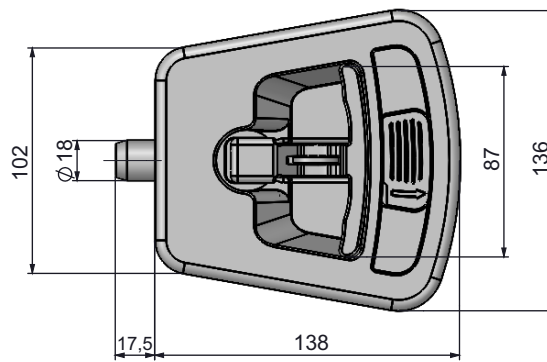
HANDLE: Chrome or black coated

V: 2

Fixed cam



Standard Grip (H) is 60 mm; contact Essentra Components for different grip ranges

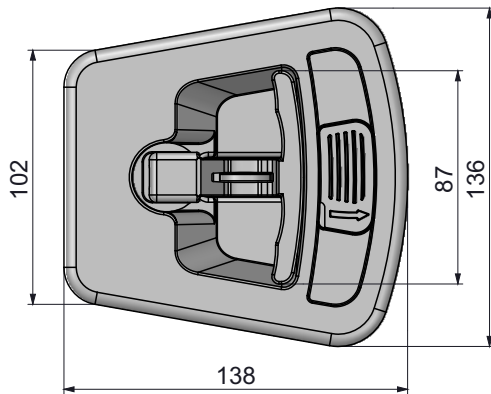
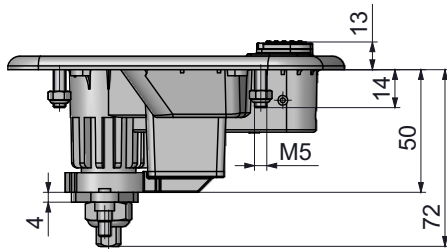
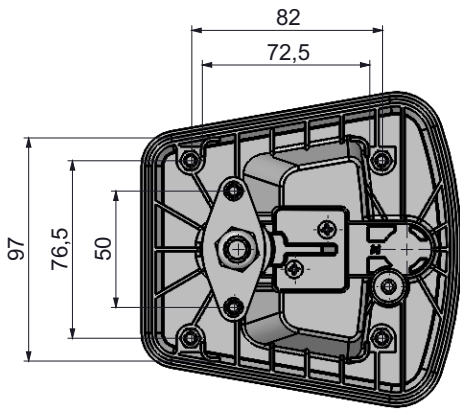


SPECIFICATIONS		DD	FINISH		F	OPTION		O
Stainless steel dust cap (Keyed alike)		03	Chrome Plated	1		Hole	0	
Stainless steel dust cap (Keyed differ)		32	Black Coated	2		Stud	1	
CH751 (Stainless steel dust cap)		07						

Group Code	Version	Handle	Cylinder	Grip	Option
014	2	1	F	DD	60

V: 3

Espagnolette cam



014

T HANDLE HEAVY-DUTY LOCK



- Two-point locking
- Option to use with or without padlock
- Use rivets or bolts for fixing
- Can be supplied without cylinder

MATERIAL

BODY: Polyamid DIN-EN ISO 1043-1PA6 GFR 30
HANDLE: Zamak DIN-EN 1774-ZnAl4Cu1

FINISH

HANDLE: Chrome or black coated

SPECIFICATIONS	DD	FINISH	F	OPTION	O
Stainless steel dust cap (Keyed alike)	03	Chrome Plated	1	Hole	0
Stainless steel dust cap (Keyed differ)	32	Black Coated	2	Stud	1
CH751 (Stainless steel dust cap)	07				

Group Code	Version	Handle	Cylinder	Option
014	3	1	F	DD

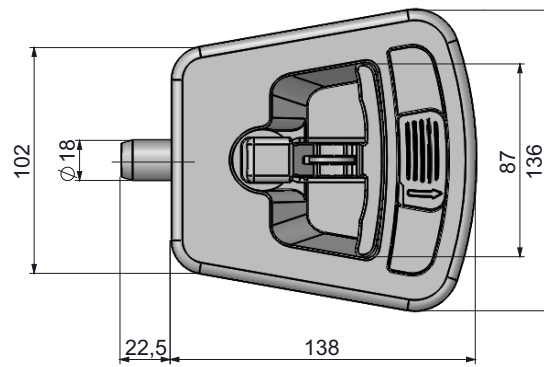
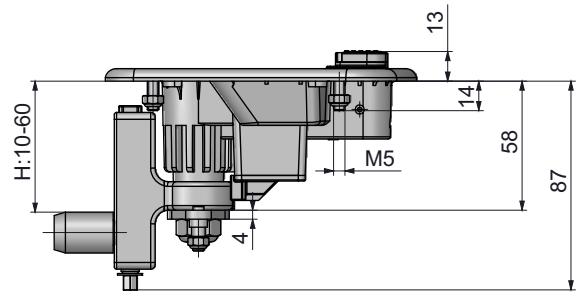
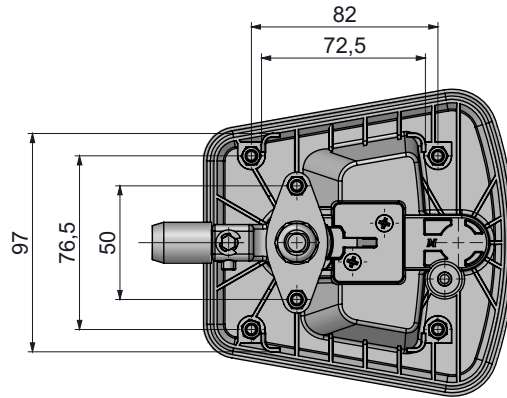
HEAVY-DUTY LOCKS

T HANDLE HEAVY-DUTY LOCK

014

V:4

Espagnolette cam and adjustable roller cam



- Three-point locking
- 10 - 60 mm grip range
- Easy fixing with roller cam
- Provides sealing with compression property
- Option to use with or without padlock
- Use rivets or bolts for fixing
- Can be supplied without cylinder

MATERIAL

BODY: Polyamid DIN-EN ISO 1043-1 PA6 GFR 30

HANDLE: Zamak DIN-EN 1774-ZnAl4Cu1

FINISH

HANDLE: Chrome or black coated

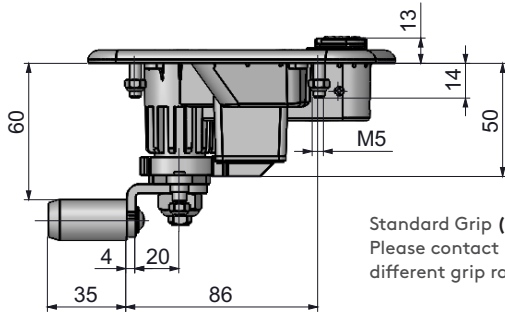
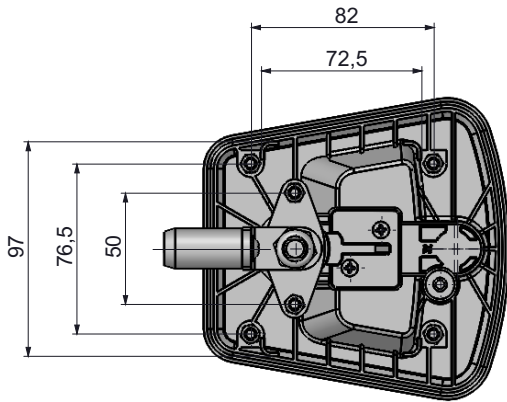
SPECIFICATIONS		DD	FINISH		F	OPTION		O
Stainless steel dust cap (Keyed alike)		03	Chrome Plated	1	Hole		0	
Stainless steel dust cap (Keyed differ)		32	Black Coated	2	Stud		1	
CH751 (Stainless steel dust cap)		07						

Group Code	Version	Handle	Cylinder	Option
014	4	1	F	DD

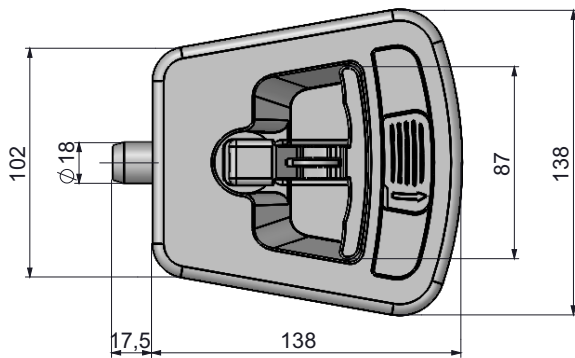


V:5

Espagnolette cam and fixed cam



Standard Grip (H) is 60 mm
Please contact Essentra Components for different grip ranges



014

T HANDLE HEAVY-DUTY LOCK



- Fixed Grip
- Three-point locking
- Easy fixing with roller cam
- Provides sealing with compression property
- Option to use with or without padlock
- Use rivets or bolts for fixing
- Can be supplied without cylinder

MATERIAL

BODY: Polyamid DIN-EN ISO 1043-1 PA6 GFR 30
HANDLE: Zamak DIN-EN 1774-ZnAl4Cu1

FINISH

HANDLE: Chrome or black coated

SPECIFICATIONS		DD	FINISH		F	OPTION		O
Stainless steel dust cap (Keyed alike)		03	Chrome Plated	1	Hole	0		
Stainless steel dust cap (Keyed differ)		32	Black Coated	2	Stud	1		
CH751 (Stainless steel dust cap)		07						

Group Code	Version	Handle	Cylinder	Grip	Option
014	5	1	F	DD	60