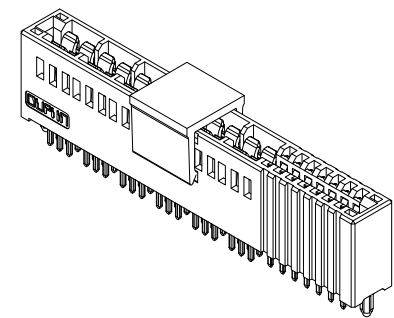
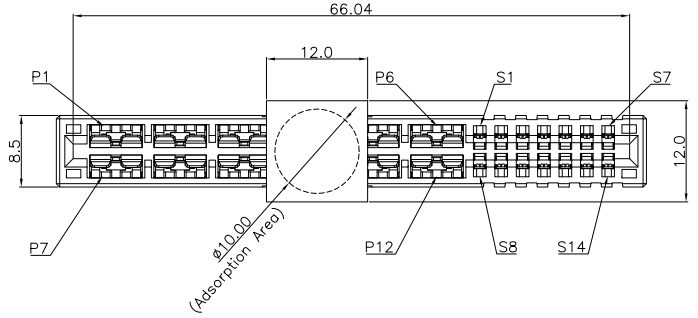


REV.	SPECIFICATION	ECN NO.	APPD.
X6			



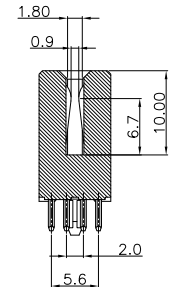
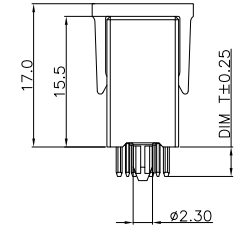
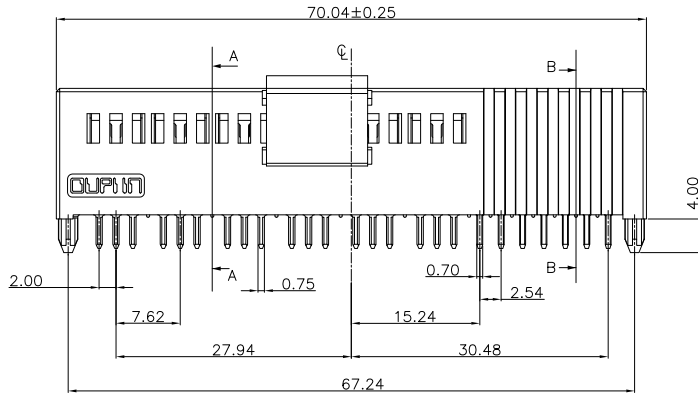
Material and Plating:

Housing: LCP, UL94V-0, Black.
 Power Contacts: High Conductivity Copper.
 30u"Au+Pd/Ni on Contact Area and 80u" Min Tin Plated on Solder Tail over nickel 50u" Min .
 Signal Contacts : Copper Alloy.
 30u"Au+Pd/Ni on Contact Area and 80u" Min Tin Plated on Solder Tail over nickel 50u" Min .

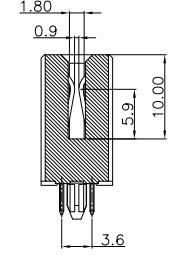
Electrical Characteristics:

Current Rating: Signal Pin 4.0 A Single Port.
 Power Pin 51.5 A Single Port.
 Insulator Resistance:
 Signal Pin 5000MΩ min. at DC 500V.
 Power Pin 5000MΩ min. at DC 500V.
 Dielectric Withstanding Voltage:
 Signal Pin AC 1000V For 1 minute.
 Power Pin AC 1000V For 1 minute.
 Contact Resistance: Signal Pin 20mΩ max.
 Power Pin 3mΩ max.
 Operating Temperature: -55°C ~+105°C .

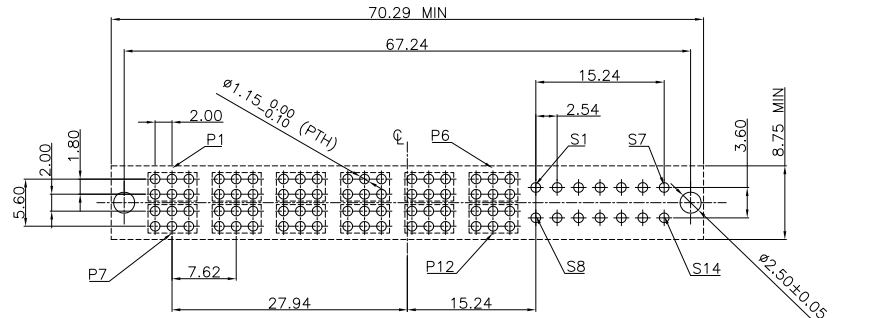
***RoHS Compliant**



Section: A-A



Section: B-B



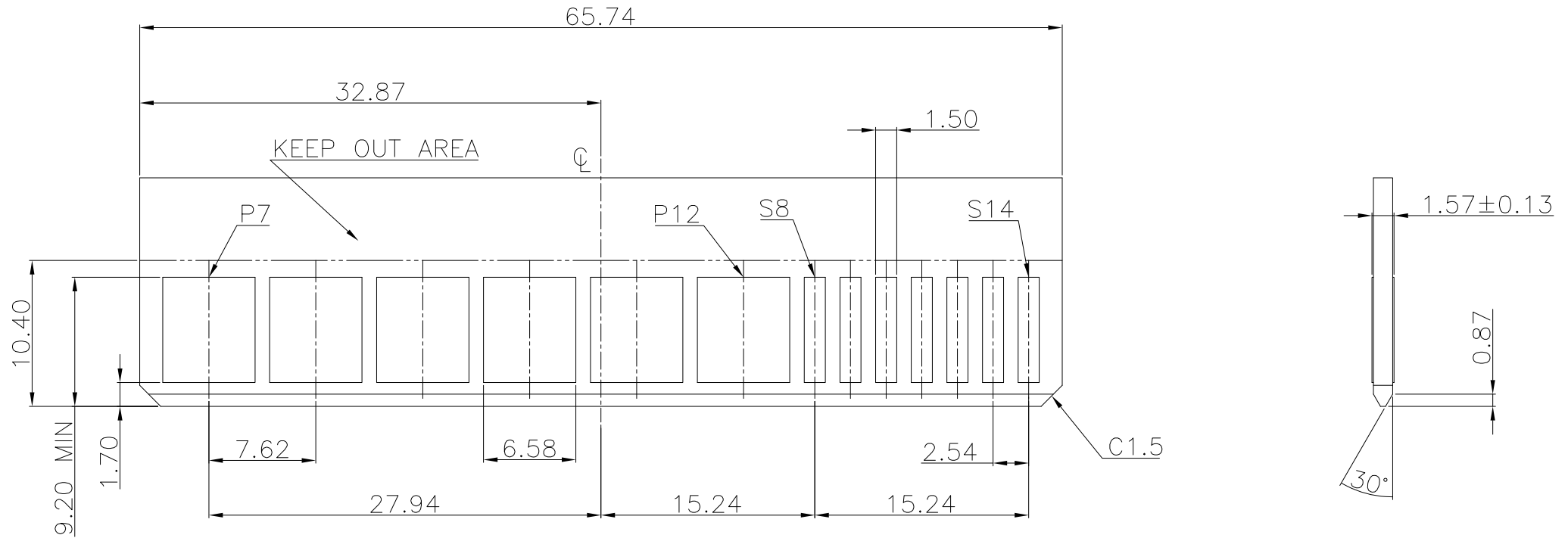
P.C. Board Layout(Top View)
 (Tolerance:±0.05)

Series 9305- 2 P12S14 B7 S A xxx
 2:Female Straight
 P12S14: P12+S14
 B7:CB30
 S:Dip Type
 A01: With Post, With Pad,Dim T=3.50mm
 A02: With Post, With Pad,Dim T=3.10mm
 A03: With Post, With Pad,Dim T=2.30mm
 A:Tray Package

Tolerances	Dwg. No.	9305-DP12S14-002	Title:
x = ±0.5	Projection		9305 Series
.x = ±0.25	Unit	mm	High Power and Signal
.xx = ±0.15	Scale	1:1	Edge Card Connector
	Drawn By	WP 04/13'23	

OUPIIN			
OUPIIN ELECTRONIC(KUNSHAN) CO., LTD.			
P/N: 9305-2P12S14B7SAxxx			
SHEET	1/2	Ver.No.	X6

REV.	SPECIFICATION	ECN NO.	APPD.
X6			



Recommended Edge Card Layout
(Tolerance: ±0.05)

Tolerances	Dwg. No.	9305-DP12S14-002		Title:	
x = ±0.5	Projection			9305 Series	
.x = ±0.25	Unit	mm	Scale	1:1	High Power and Signal
.xx = ±0.15	Drawn By	WP 04/13'23			Edge Card Connector

Title:			
9305 Series			
High Power and Signal			
Edge Card Connector			

OUPIIN ELECTRONIC(KUNSHAN) CO., LTD.			
P/N: 9305-2P12S14B7SAxxx			
SHEET	2/2	Ver.No.	X6