

“Stay Connected” with



HEYware Products

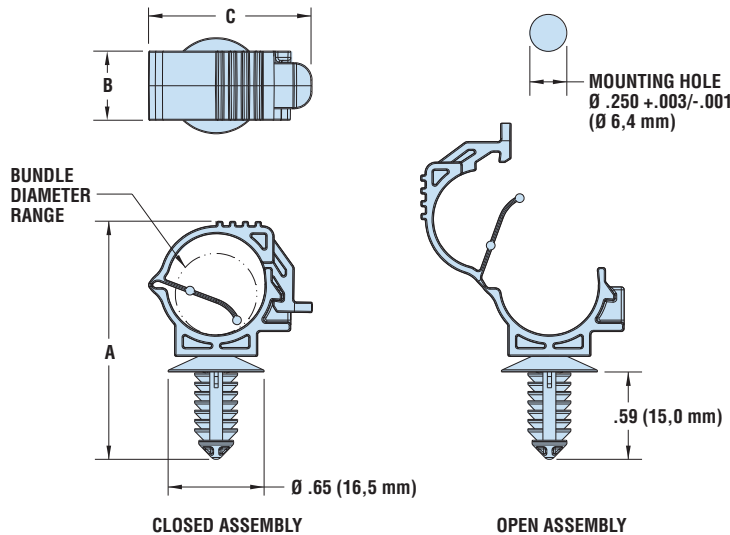
a PennEngineering® Company



Heyco® Blind-Mount Cable Clamp

BUNDLE DIAMETER RANGE		PANEL THICKNESS RANGE		PART NO.	DESCRIPTION	PART DIMENSIONS			MOUNTING HOLE DIAMETER RANGE							
Min.	Max.	Min.	Max.			Overall Height (closed)	Width	Length								
in.	mm.	in.	mm.		A	B	C									
					in.	mm.	in.	mm.								
.39	10,0	.55	14,0	.02	0,6	.32	8,3	16750	BMCC 250-550	1.61	40,9	.47	11,9	1.10	27,9	.24 (6,1 mm) to .27 (6,9 mm)

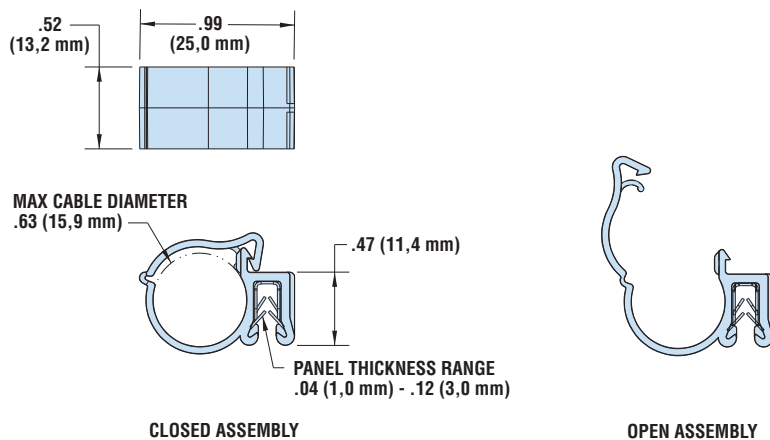
- Releasable and reusable.
- Blind mount does not require through-hole; panel back-side access.
- Cupped design provides some splash protection.
- Flexible arm holds cables/bundle with slight axial retention.
- Mount clamp prior to installation – install cable later with easy fold-over closure.



Heyco® Edge Clip Side-Mount Perpendicular Clamp

PART NO.	DESCRIPTION
14250	EC 13 SMPE-550

- No mounting hole required.
- Strong mounting hold with steel clip.
- Mount clamp prior to installation – install cable later with easy fold-over closure.



Material	Clamps – Heat Stabilized Nylon 6/6, Black Clip – Plated Spring Steel (14250)
Temperature Range	32°F (0°C) to 221°F (105°C)

Quick
Specs