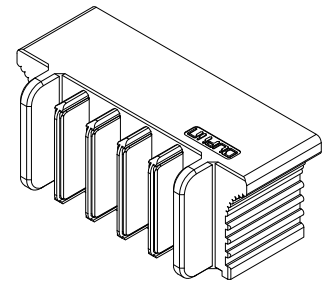


REV.	SPECIFICATION	ECN NO.	APPD.
X8			



Material and Plating:

Housing: LCP, UL94V-0 , Black.
 Contacts: High Conductivity Copper.
 Gold Plated on Contact Area and 80u" Min
 Tin Plated on Solder Tail over nickel 50u" Min .

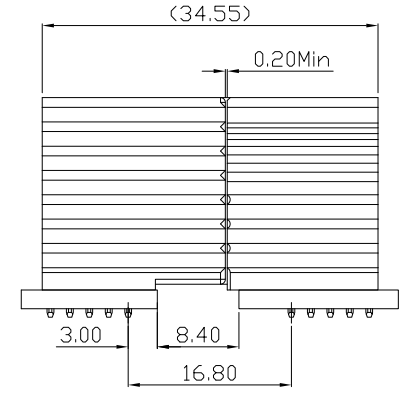
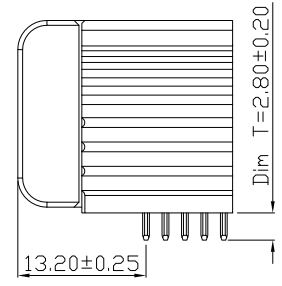
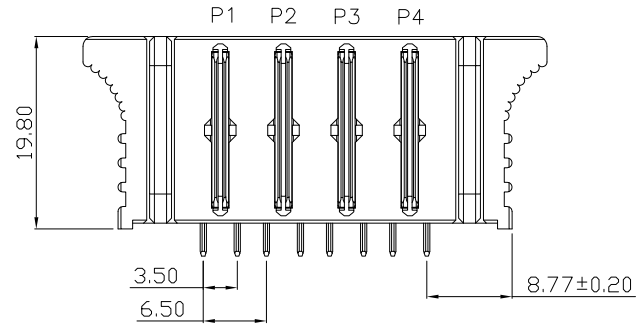
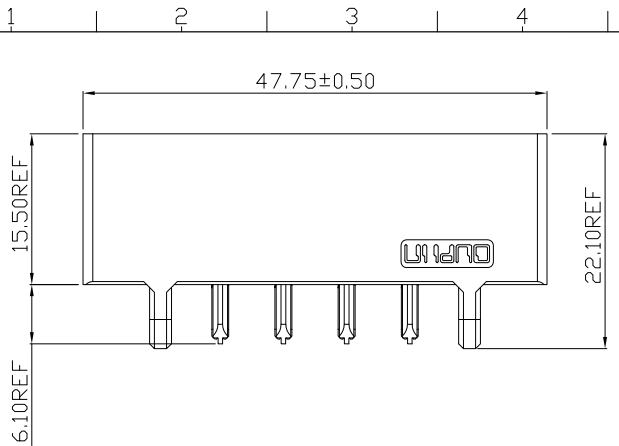
Electrical Characteristics:

Current Rating: 100 AMP.
 Dielectric Withstanding Voltage: DC 1500V For 1 minute.
 Insulator Resistance: 1500MΩ min. at DC 500V.
 Contact Resistance: 0.70mΩ max.
 Operating Temperature: -55°C ~+125°C .

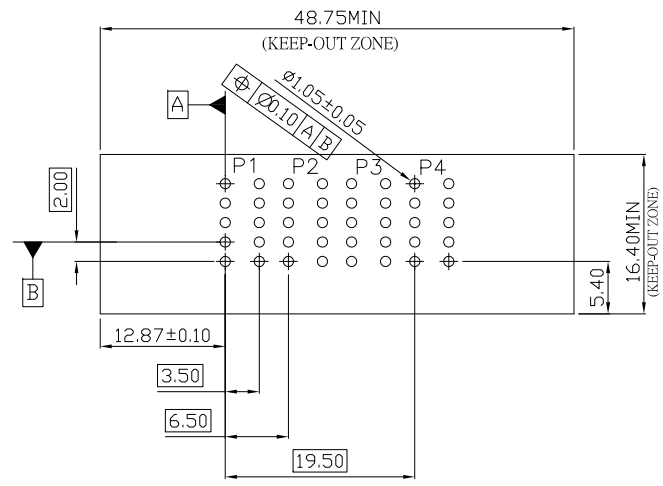
***RoHS Compliant**

Note:

1. IR Reflow & PIP



MATING BETWEEN MALE AND FEMALE



P.C.Board Layout(Top View)
(Tolerance:±0.05)

9310- 1 P04 C3 S A A01

Series ———
 1: Male Right Angle ———
 P04:P04 ———
 C3: C10 ———
 S: Dip Type ———
 A: Tray Package ———
 A01:W/O Post, Dim T=2.80mm ———

Tolerances	Dwg. No.	9310-DP04-002	Title:		 OUPIIN ELECTRONIC(KUNSHAN) CO., LTD. P/N:9310-1P04C3SAA01			
x = ±0.5	Projection		9310 Series					
.x = ±0.25	Unit	mm	Scale	1:1				
.xx = ±0.15	Drawn By	WP 01/12'24						