

“Stay Connected” with



Liquid Tight Cordgrips

a PennEngineering® Company



## Heyco®-Tite Low-Profile Liquid Tight Cordgrips

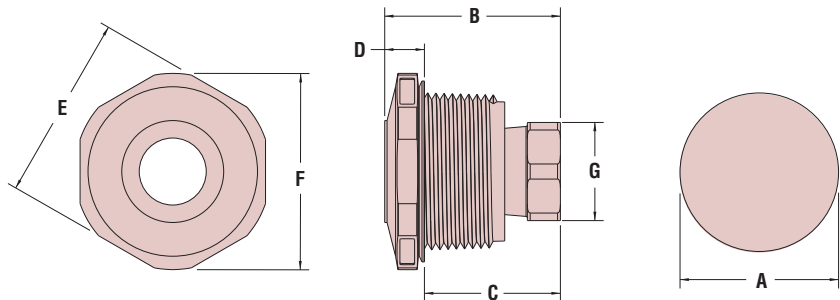
Straight-Thru with Integral Sealing Ring

The Ultimate in Liquid Tight Strain Relief Protection

CABLE DIA. RANGE						PART NO.		DESCRIPTION	PART DIMENSIONS													
IP 68 Sealing						Black	Gray		A Clearance Hole Dia.	B Max. O.A. Length	C Length Under Sealing Nut Head Max.	D Sealing Nut Head Height	E Sealing Nut (Upper) Flats	F Sealing Nut (Upper) Across Corners	G Body Hex (Lower) Flats							
UL Approved																						
Minimum in.	Minimum mm.	Maximum in.	Maximum mm.					in.	mm.	in.	mm.	in.	mm.	in.	mm.	in.	mm.	in.	mm.			
.065	1,7	.230	5,8	.230	5,8	LP4518	LP4519	RLPCG 1/2	0.875	22,2	1.21	30,7	.98	24,9	.23	5,8	.98	24,9	1.08	27,4	.54	13,7
.105	2,7	.210	5,3	.315	8,0	LP3231	LP3232	LPCG 1/2														
.095	2,4	.290	7,4	.290	7,4	LP3460	LP3461	RLPCG 3/4	1.109	28,2	1.45	36,8	1.10	27,9	.35	8,9	1.28	32,5	1.44	36,6	.74	18,8
.170	4,3	.250	6,4	.450	11,4	LP3234	LP3235	LPCG 3/4														
.250	6,4	.385	9,8	.490	12,4	LP4522	LP4523	RLPCG 1-1/4	1.680	42,7	1.86	47,2	1.44	36,6	.42	10,7	1.97	50,0	2.08	52,8	1.04	26,4
.435	11,0	.435	11,0	.705	17,9	LP4524	LP4525	LPCG 1-1/4														
.490	12,4	.490	12,4	.785	19,9	LP3319	LP3320	RLPCG 1-1/2	1.920	48,8	2.16	54,9	1.65	41,9	.51	13,0	2.24	56,9	2.40	61,0	1.36	34,5
.590	15,0	.590	15,0	1.000	25,4	LP3317	LP3318	LPCG 1-1/2														

Locknuts not included. For nylon locknut specifications or to order locknuts separately, see NPT Nylon Locknuts.

- The revolutionary new Low Profile Cord Grip incorporates traditional sealing nut design blended with knock-out hole size to offer a Cord Grip with a Low Profile look that is sleek.
- The low profile design provides the traditional Heyco performance in a package that can be used where height real estate is limited.
- The low profile design is tamper proof from outside of an enclosure providing security on the cable assembly.
- Integral Sealing Ring ensures a superior seal at the clearance or threaded mounting hole location, every time.
- IP 68 rated.
- Approval for NEMA 4, 4X, 6 and 6P applications – **Pending**.
- Ratchet design of sealing nut assembly provides superior anti-vibration protection and ensures a firm grip on the cable.
- Acme threads on body prevent skipping and speed installation.
- All nylon construction with Buna N sealing gland resists salt water, weak acids, gasoline, alcohol, oil, grease, and common solvents. (This feature is not assessed by UL.)
- We recommend using the fitting with the smallest maximum diameter that will fit your application.
- **Patent Pending.**



SUGGESTED CLEARANCE HOLE FOR NON-THREADED MOUNTING

Material	Nylon 6/6 w/Buna N or TPE Sealing Gland
Certifications	<ul style="list-style-type: none"> <li>UL Listed under Underwriters' Laboratories File E51579 (Pending)</li> <li>Recognized under the Component Program of Underwriters' Laboratories File E51579 (Pending)</li> <li>CSA Certified by Canadian Standard Association File 93876C (Pending)</li> </ul>
Flammability Rating	94V-2 consult factory for V0 material
Temperature Range	Static -40°F (-40°C) to 239°F (115°C) Dynamic -4°F (-20°C) to 212°F (100°C)
IP Rating	IP 68 (2.7 PSI)