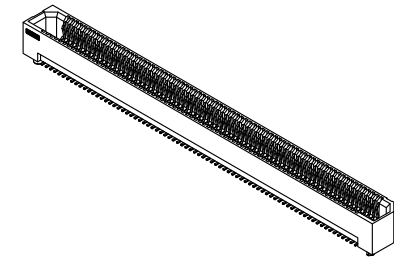
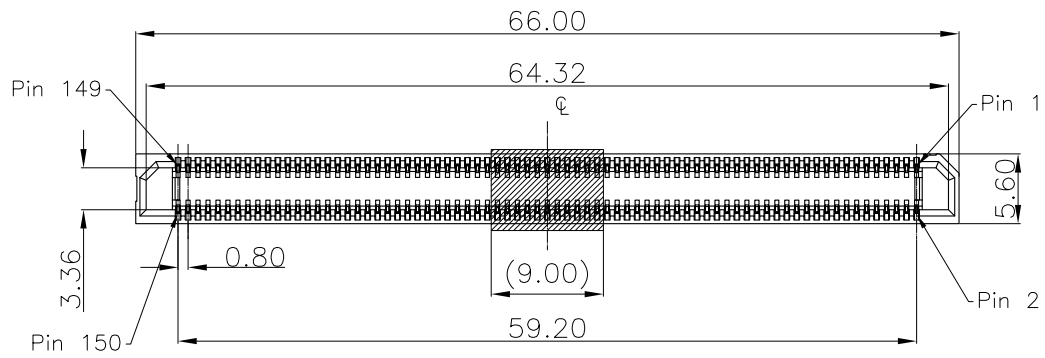


REV.	SPECIFICATION	ECN NO.	APPD.
X1			



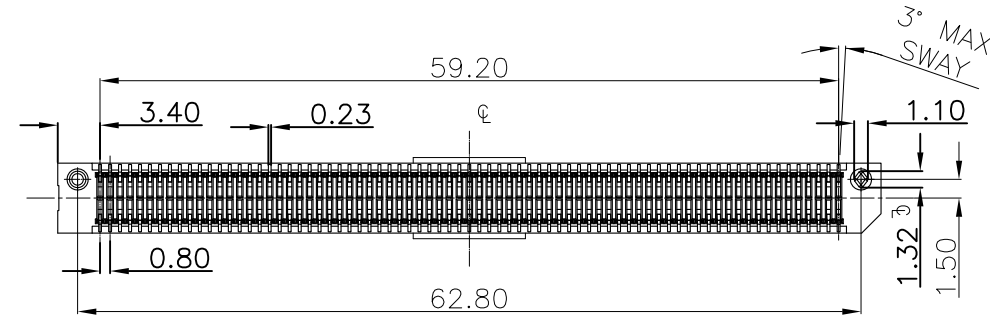
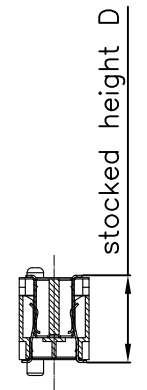
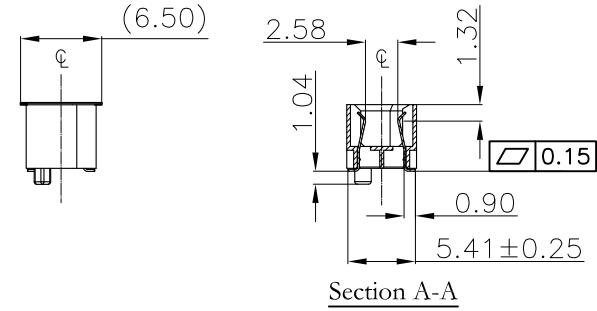
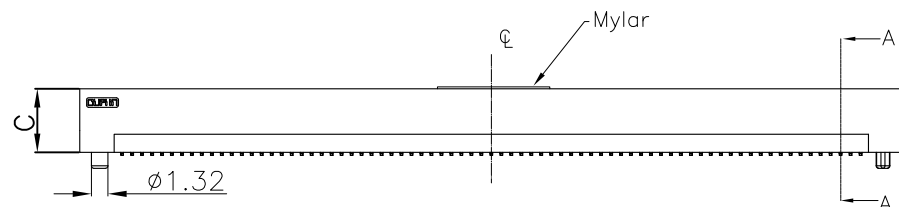
Material and Plating:

Housing: LCP, UL94V-0, BLACK.
 Contact: Nickel Copper.
 Gold Plated on Contact Area and 80u" Min Tin Plated on Solder Tail over Nickel 50u" Min.

Electrical Characteristics:

Current Rating: 1.4 AMP.
 Dielectric Withstanding Voltage: AC 900V For 1 Minute.
 Insulator Resistance: 50000 MΩ Min.
 Contact Resistance: 25mΩ max.
 Operating Temperature: -55°C ~ +125°C.

***RoHS Compliant**



- 2386- 2 2 X 75 C 3 D 1 N T - S
- Series
- 2:Female Straight
- Double Row
- Position Per Row
- C: Selective Gold Plated
- 3: 10μ"
- 7: 30μ"
- D:SMD Type
- S: Mylar
- Blank: Without Mylar
- T: Tape&Reel Package
- N: Without lock
- 1:Code1
- 2:Code2
- 3:Code3
- 4:Code4

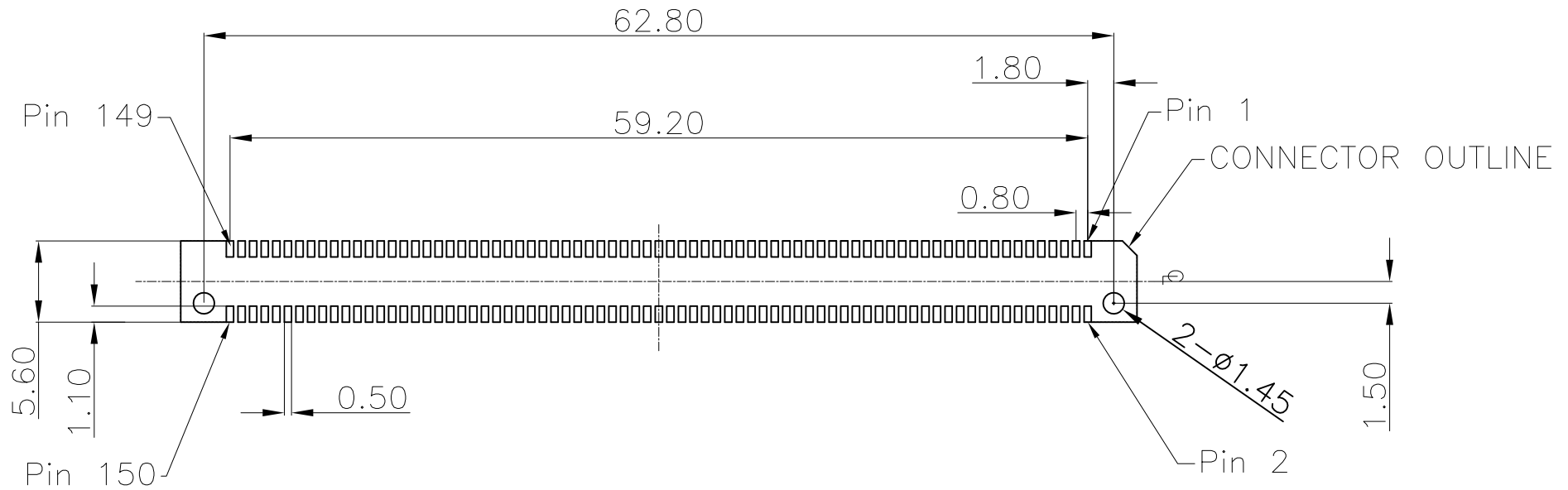
**Available Code																
Code	*1	2	3	4												
Height C	5.10	7.00	9.10	10.10												
Stacked Height D	*7.0	10.0	13.0	14.0	9.0	12.0	15.0	16.0	11.0	14.0	17.0	18.0	12.0	15.0	18.0	19.0

PROPOSAL ONLY

Tolerances	Dwg. No.	2386-D0000-014	Title:
x = ±0.5	Projection		2386 Series Female Straight
.x = ±0.25	Unit	mm	
.xx = ±0.15	Scale	1:1	
	Drawn By	WP 03/11'21	

OUPIN
 OUPIN ELECTRONIC(KUNSHAN) CO., LTD.
 P/N: 2386-22x75C3D1NT-S
 SHEET 1/2 Ver.No. X1

REV.	SPECIFICATION	ECN NO.	APPD.
X1			



Recommended PCB Layout
(Tolerance : ± 0.05)

PROPOSAL ONLY

Tolerances	Dwg. No.	2386-D0000-014		Title:	
x = ± 0.5	Projection			2386 Series	
.x = ± 0.25	Unit	mm	Scale	1:1	Female Straight
.xx = ± 0.15	Drawn By	WP 03/11'21			

OUPIIN ELECTRONIC(KUNSHAN) CO., LTD.			
P/N: 2386-22x75C3D1NT-S			
SHEET	2/2	Ver.No.	X1

REV.	SPECIFICATION	ECN NO.	APPD.
R1		ECN220333	

Material and Plating:

Housing: LCP, UL94V-0 , BLACK.

Contacts: High Performance Copper Alloy .
Gold Plated on Contact Area and 80u" Min Tin
Plated on Solder Tail over Nickel 50u" Min.

Lock: Phosphor Bronze .

80u" Min Tin Plated over Nickel 50u" Min.

Electrical Characteristics:

Current Rating: 1.5 AMP Per Contact With 1 Contact.

Voltage Rating: 300V AC.

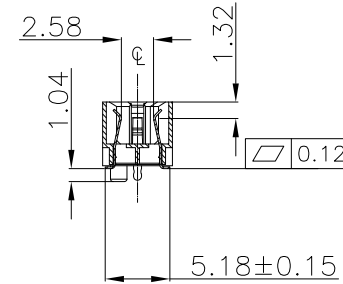
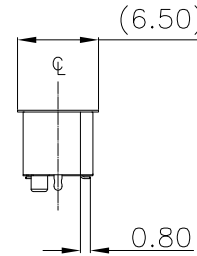
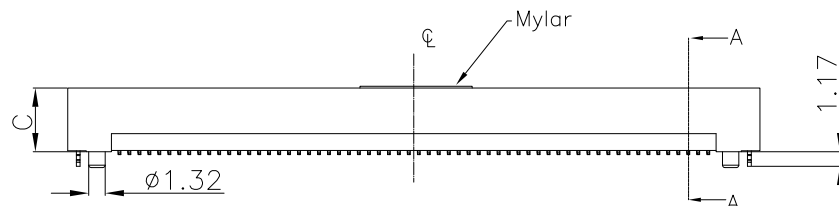
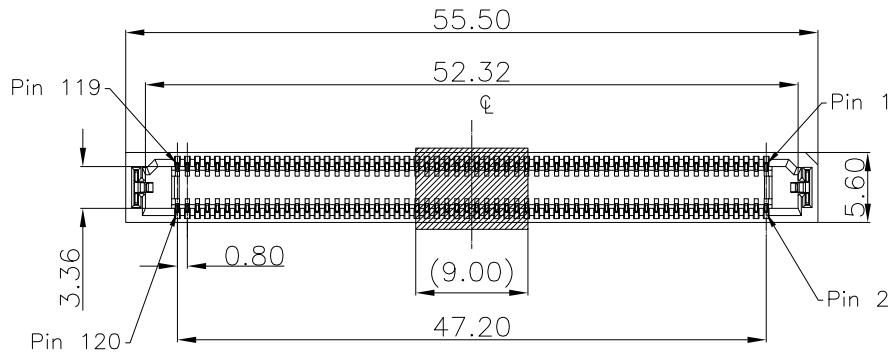
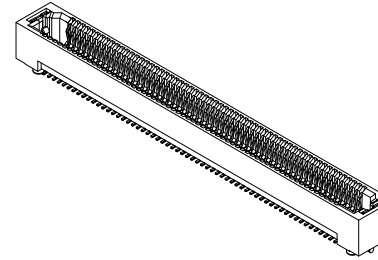
Dielectric Withstanding Voltage: AC 500V For 1 Minute.

Insulator Resistance: 50000 MΩ Min.

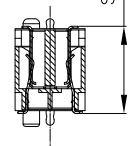
Contact Resistance: 25mΩ max .

Operating Temperature: -55°C ~+125°C .

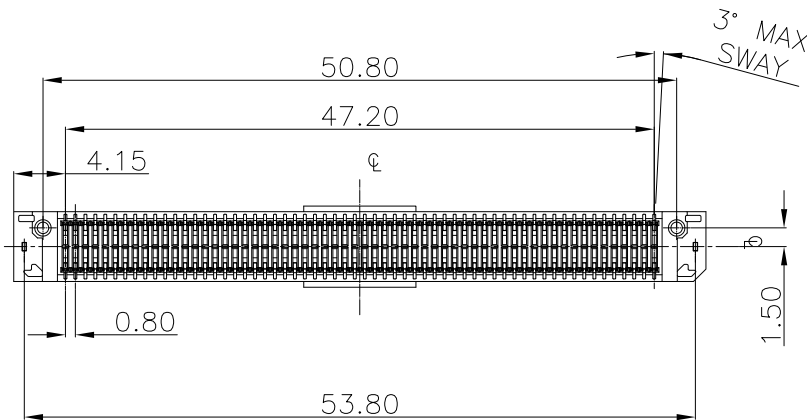
***RoHS Compliant**



Section A-A



stocked height D



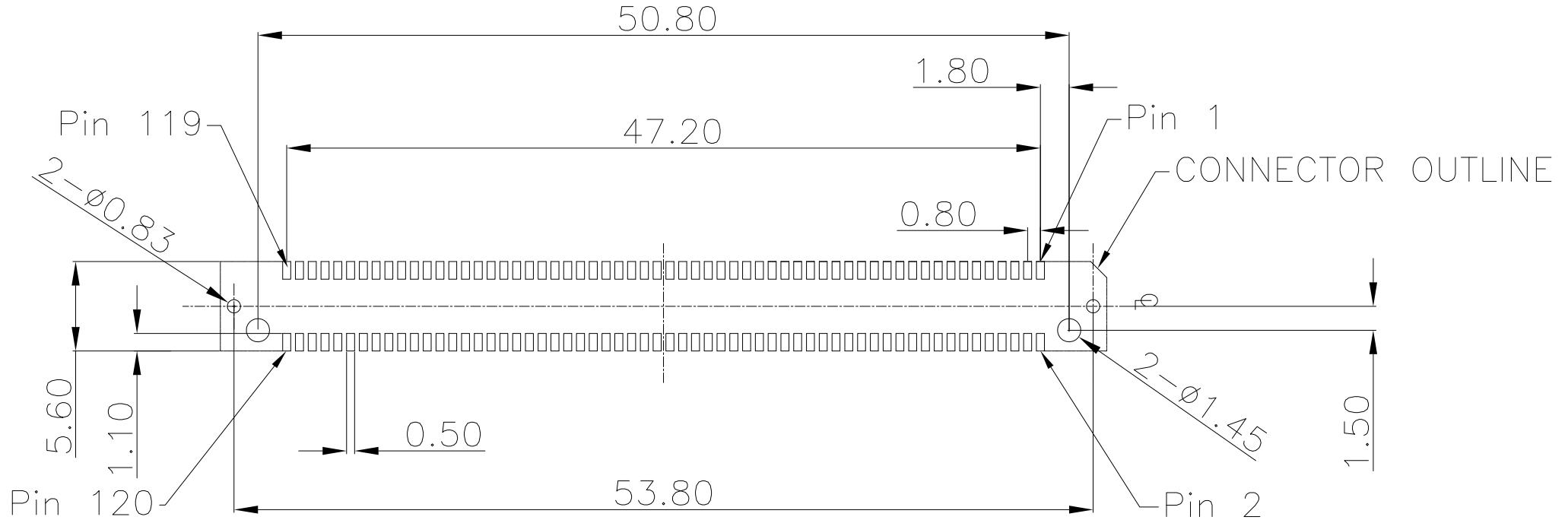
Series 2386- 2 2 X 60 C 3 D 1 L T -S
 2:Female Straight
 Double Row
 Position Per Row
 C: Selective Gold Plated
 3: 10μ"
 7: 30μ"
 D:SMD Type
 S: Mylar
 Blank: Without Mylar
 T: Tape&Reel Package
 L: With lock
 1:Code1
 2:Code2
 3:Code3
 4:Code4

**Available Code																
Code	*1	2	3	4												
Height C	5.10	7.00	9.10	10.10												
Stacked Height D	*7.0	10.0	13.0	14.0	9.0	12.0	15.0	16.0	11.0	14.0	17.0	18.0	12.0	15.0	18.0	19.0

Tolerances	Dwg. No.	2386-D0000-008		Title:	
x = ±0.5	Projection	⊕ ⊖		2386 Series Female Straight	
.x = ±0.25	Unit	mm	Scale		1:1
.xx = ±0.15	Drawn By	WP 03/15'22			

OUPIN			
OUPIN ELECTRONIC(KUNSHAN) CO., LTD.			
P/N: 2386-22X60C3D1LT-S			
SHEET	1/2	Ver.No.	R1

REV.	SPECIFICATION	ECN NO.	APPD.
R1		ECN220333	



Recommended PCB Layout
(Tolerance : ±0.05)

Tolerances	Dwg. No.	2386-D0000-008	Title:		OUPIN					
x = ±0.5	Projection	⊕ ↗	2386 Series Female Straight		OUPIN ELECTRONIC(KUNSHAN) CO., LTD.					
.x = ±0.25	Unit	mm			Scale	1:1	P/N: 2386-22X60C3D1LT-S			
.xx = ±0.15	Drawn By	WP			03/15'22	SHEET	2/2	Ver.No.	R1	

REV.	SPECIFICATION	ECN NO.	APPD.
X6			

Material and Plating:

Housing: LCP, UL94V-0, BLACK.

Contact: Nickel Copper.

Gold Plated on Contact Area and 80u" Min Tin Plated on Solder Tail over Nickel 50u" Min.

Lock: Phosphor Bronze.

80u" Min Tin Plated over Nickel 50u" Min.

Electrical Characteristics:

Current Rating: 1.5 AMP Per Contact With 1 Contact.

Voltage Rating: 300V AC.

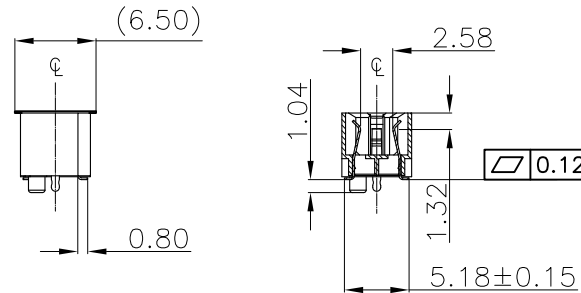
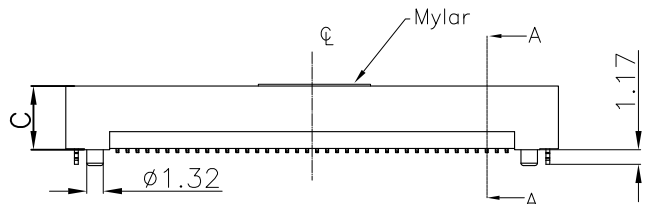
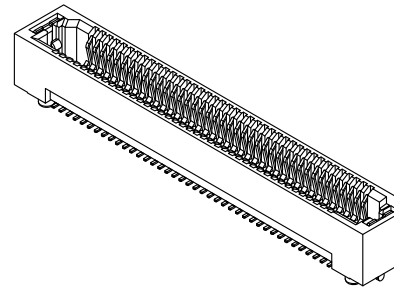
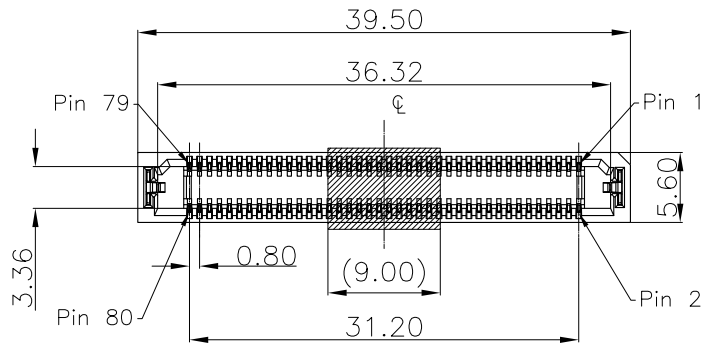
Dielectric Withstanding Voltage: AC 500V For 1 Minute.

Insulator Resistance: 50000 MΩ Min.

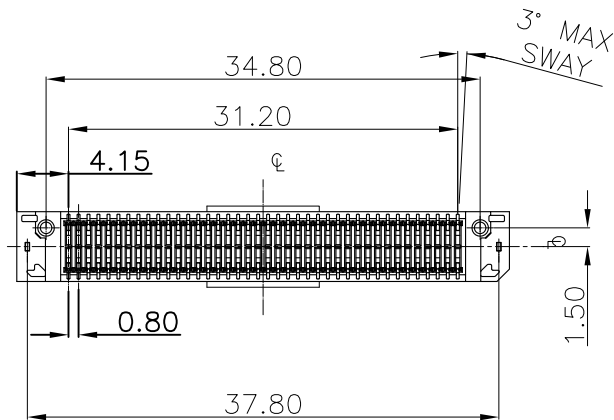
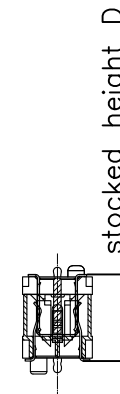
Contact Resistance: 25mΩ max.

Operating Temperature: -55°C ~ +125°C.

***RoHS Compliant**



Section A-A



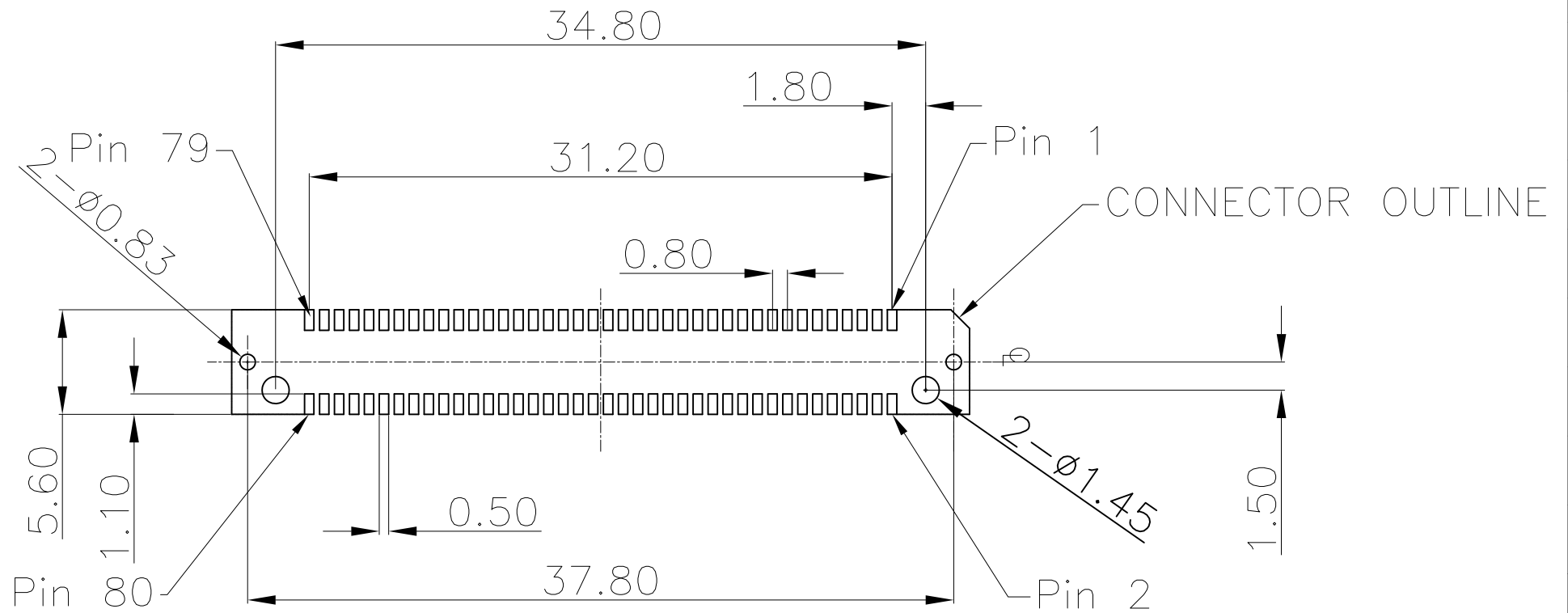
- Series: 2386-
- 2: Female Straight
- Double Row
- Position Per Row
- C: Selective Gold Plated
- 3: 10μ"
- 7: 30μ"
- D: SMD Type
- 1: Code 1
- 2: Code 2
- 3: Code 3
- 4: Code 4
- L: With lock
- T: Tape & Reel Package
- S: Mylar
- Blank: Without Mylar

**Available Code																
Code	*1	2	3	4												
Height C	5.10	7.00	9.10	10.10												
Stacked Height D	7.0	10.0	13.0	14.0	9.0	12.0	15.0	16.0	11.0	14.0	17.0	18.0	12.0	15.0	18.0	19.0


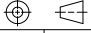
Tolerances	Dwg. No.	2386-D0000-006		Title:	
x = ±0.5	Projection	⊕ ⊖		2386 Series Female Straight	
.x = ±0.25	Unit	mm	Scale		1:1
.xx = ±0.15	Drawn By	WP 08/08'19			

OUPIN			
OUPIN ELECTRONIC(KUNSHAN) CO., LTD.			
P/N: 2386-22x40C3D1LT-S			
SHEET	1/2	Ver.No.	X6

REV.	SPECIFICATION	ECN NO.	APPD.
X6			



Recommended PCB Layout
(Tolerance : ± 0.05)

Tolerances	Dwg. No.	2386-D0000-006	Title:		 OUPIIN ELECTRONIC(KUNSHAN) CO., LTD.
x = ± 0.5	Projection		2386 Series Female Straight		
.x = ± 0.25	Unit	mm	Scale	1:1	SHEET
.xx = ± 0.15	Drawn By	WP	08/08'19		2/2
					Ver.No.
					X6